

# LZ2325A/ LZ2326AR

Dual-power-supply (5 V/12 V) Operation  
1/3-type CCD Area Sensors with 320 k Pixels

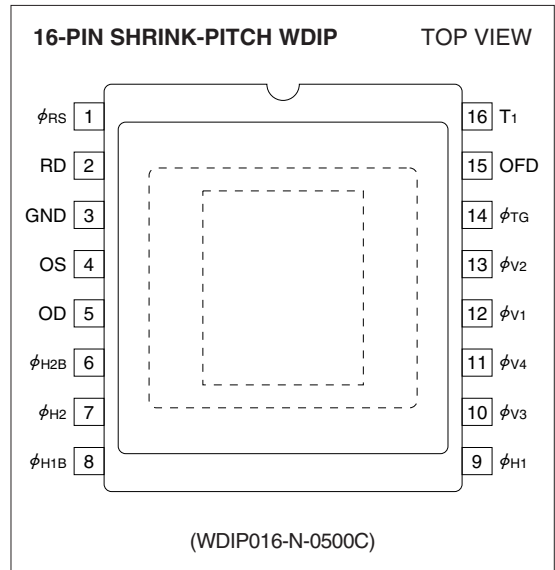
## DESCRIPTION

The LZ2325A/LZ2326AR are 1/3-type (6.0 mm) solid-state image sensors that consist of PN photo-diodes and CCDs (charge-coupled devices) driven by dual-power-supply. With approximately 320 000 pixels (542 horizontal x 582 vertical), the sensor provides a stable high-resolution color (LZ2325A)/B/W (LZ2326AR) normal or mirror image.

## FEATURES

- Number of effective pixels : 512 (H) x 582 (V)
- Number of optical black pixels
  - Horizontal : 2 front and 28 rear
- Pixel pitch : 9.6  $\mu\text{m}$  (H) x 6.3  $\mu\text{m}$  (V)
- Mg, G, Cy, and Ye complementary color filters (For LZ2325A)
- Low fixed-pattern noise and lag
- No burn-in and no image distortion
- Blooming suppression structure
- Built-in output amplifier
- Built-in pulse mix circuit
- Built-in overflow drain voltage circuit and reset gate voltage circuit
- Variable electronic shutter (1/50 to 1/10 000 s)
- Normal or mirror image output available from common output pin
- Compatible with PAL standard (LZ2325A)/CCIR standard (LZ2326AR)
- Package :
  - 16-pin shrink-pitch WDIP [Ceramic]  
(WDIP016-N-0500C)
  - Row space : 12.70 mm

## PIN CONNECTIONS



## PRECAUTIONS

- The exit pupil position of lens should be more than 25 mm (LZ2325A)/20 mm (LZ2326AR) from the top surface of the CCD.
- Refer to "**PRECAUTIONS FOR CCD AREA SENSORS**" for details.

## COMPARISON TABLE

	LZ2325A	LZ2326AR
TV standard	PAL standard (Color)	CCIR standard (B/W)
Characteristics	Refer to each following specification.	

## PIN DESCRIPTION

SYMBOL	PIN NAME	NOTE
RD	Reset transistor drain	
OD	Output transistor drain	
OS	Output signals	
$\phi$ RS	Reset transistor clock	1
$\phi$ V1, $\phi$ V2, $\phi$ V3, $\phi$ V4	Vertical shift register clock	2
$\phi$ H1, $\phi$ H2, $\phi$ H1B, $\phi$ H2B	Horizontal shift register clock	
$\phi$ TG	Transfer gate clock	3
OFD	Overflow drain	1
GND	Ground	
T1	Test pin	

## NOTES :

- $\phi$ RS, OFD : Use the circuit parameter indicated in "**SYSTEM CONFIGURATION EXAMPLE**", and do not connect to DC voltage directly. When not using electronic shutter, connect OFD to GND through a 0.1  $\mu$ F capacitor and a 1 M $\Omega$  resistor.
- $\phi$ V1- $\phi$ V4 : Input the clock through a 0.1  $\mu$ F capacitor.
- $\phi$ TG : Use the circuit parameter indicated in "**SYSTEM CONFIGURATION EXAMPLE**".

## ABSOLUTE MAXIMUM RATINGS

(TA = +25 °C)

PARAMETER	SYMBOL	RATING	UNIT	NOTE
Output transistor drain voltage	VOD	0 to +15	V	
Reset transistor drain voltage	VRD	0 to +15	V	
Overflow drain voltage	VOFD	Internal output	V	1
Test pin, T1	VT1	0 to +15	V	
Reset gate clock voltage	V $\phi$ RS	Internal output	V	2
Vertical shift register clock voltage	V $\phi$ V	0 to +7.5	V	
Horizontal shift register clock voltage	V $\phi$ H	-0.3 to +7.5	V	
Transfer gate clock voltage	V $\phi$ TG	-0.3 to +15	V	
Storage temperature	TSTG	-40 to +85	°C	
Ambient operating temperature	TOPR	-20 to +70	°C	

## NOTES :

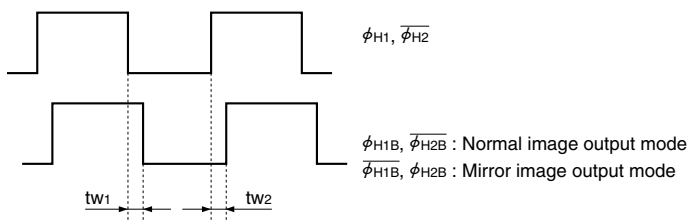
- Do not connect to DC voltage directly. When OFD is connected to GND, connect VOD to GND. Overflow drain clock is applied below 13 Vp-p.
- Do not connect to DC voltage directly. When  $\phi$ RS is connected to GND, connect VOD to GND. Reset gate clock is applied below 8 Vp-p.

## RECOMMENDED OPERATING CONDITIONS

PARAMETER		SYMBOL	MIN.	TYP.	MAX.	UNIT	NOTE
Ambient operating temperature		TOPR		25.0		°C	
Output transistor drain voltage		VOD	12.0	12.5	13.0	V	
Reset transistor drain voltage		VRD		VOD		V	
Overflow drain clock	p-p level	V $\phi$ OFD	12.0	12.5	13.0	V	1
Ground		GND		0.0		V	
Test pin, T1		VT1		VOD		V	
Transfer gate clock	LOW level	V $\phi$ TGL	-0.05	0.0	0.05	V	
	HIGH level	V $\phi$ TGH	12.0	12.5	13.0	V	
Vertical shift register clock	p-p level	V $\phi$ V1, V $\phi$ V2 V $\phi$ V3, V $\phi$ V4	4.7	5.0	5.5	V	1
Horizontal shift register clock	LOW level	V $\phi$ H1L, V $\phi$ H2L V $\phi$ H1BL, V $\phi$ H2BL	-0.05	0.0	0.05	V	
	HIGH level	V $\phi$ H1H, V $\phi$ H2H V $\phi$ H1BH, V $\phi$ H2BH	4.7	5.0	5.5	V	
Reset gate clock	p-p level	V $\phi$ RS	4.5	5.0	5.5	V	1
Vertical shift register clock frequency		f $\phi$ V1, f $\phi$ V2 f $\phi$ V3, f $\phi$ V4		15.63		kHz	
Horizontal shift register clock frequency		f $\phi$ H1, f $\phi$ H2 f $\phi$ H1B, f $\phi$ H2B		9.66		MHz	
Reset gate clock frequency		f $\phi$ RS		9.66		MHz	
Horizontal shift register clock phase		tw1, tw2	5.0	10.0	18.0	ns	2

## NOTES :

1. Use the circuit parameter indicated in "SYSTEM CONFIGURATION EXAMPLE", and do not connect to DC voltage directly.
- 2.



\* To apply power, first connect GND and then turn on VOD and then turn on other powers and pulses. Do not connect the device to or disconnect it from the plug socket while power is being applied.

**CHARACTERISTICS FOR LZ2325A** (Drive method : Field accumulation)

(TA = +25 °C, Operating conditions : The typical values specified in "RECOMMENDED OPERATING CONDITIONS".

Color temperature of light source : 3 200 K, IR cut-off filter (CM-500, 1 mmt) is used.)

PARAMETER	SYMBOL	MIN.	TYP.	MAX.	UNIT	NOTE
Standard output voltage	Vo		150		mV	2
Photo response non-uniformity	PRNU			15	%	3
Saturation output voltage	VSAT	550			mV	4
Dark output voltage	VDARK		0.5		mV	1, 5
Dark signal non-uniformity	DSNU		0.5		mV	1, 6
Sensitivity	R	420	600		mV	7
Smear ratio	SMR		-110	-90	dB	8
Image lag	AI			1.0	%	9
Blooming suppression ratio	ABL	1 000				10
Output transistor drain current	IOD		4.0	8.0	mA	
Output impedance	Ro		400		Ω	
Vector breakup				10.0	°, %	11
Line crawling				3.0	%	12
Luminance flicker				2.0	%	13

**NOTES :**

- Within the recommended operating conditions of VOD, VOFD of the internal output satisfies with ABL larger than 1 000 times exposure of the standard exposure conditions, and VSAT larger than 550 mV.
1. TA = +60 °C
  2. The average output voltage under uniform illumination. The standard exposure conditions are defined as when Vo is 150 mV.
  3. The image area is divided into 10 x 10 segments under the standard exposure conditions. Each segment's voltage is the average output voltage of all pixels within the segment. PRNU is defined by (Vmax - Vmin)/Vo, where Vmax and Vmin are the maximum and minimum values of each segment's voltage respectively.
  4. The image area is divided into 10 x 10 segments. Each segment's voltage is the average output voltage of all pixels within the segment. VSAT is the minimum segment's voltage under 10 times exposure of the standard exposure conditions.
  5. The average output voltage under non-exposure conditions.
  6. The image area is divided into 10 x 10 segments under non-exposure conditions. DSNU is defined by (Vdmax - Vdmin), where Vdmax and Vdmin are the maximum and minimum values of each segment's voltage respectively.
  7. The average output voltage when a 1 000 lux light source with a 90% reflector is imaged by a lens of F4, f50 mm.
  8. The sensor is exposed only in the central area of V/10 square with a lens at F4, where V is the vertical image size. SMR is defined by the ratio of the output voltage detected during the vertical blanking period to the maximum output voltage in the V/10 square.
  9. The sensor is exposed at the exposure level corresponding to the standard conditions. AI is defined by the ratio of the output voltage measured at the 1st field during the non-exposure period to the standard output voltage.
  10. The sensor is exposed only in the central area of V/10 square, where V is the vertical image size. ABL is defined by the ratio of the exposure at the standard conditions to the exposure at a point where blooming is observed.
  11. Observed with a vector scope when the color bar chart is imaged under the standard exposure conditions.
  12. The difference between the average output voltage of the (Mg + Ye), (G + Cy) line and that of the (Mg + Cy), (G + Ye) line under the standard exposure conditions.
  13. The difference between the average output voltage of the odd field and that of the even field under the standard exposure conditions.

**CHARACTERISTICS FOR LZ2326AR** (Drive method : Field accumulation)

(TA = +25 °C, Operating conditions : The typical values specified in "RECOMMENDED OPERATING CONDITIONS".

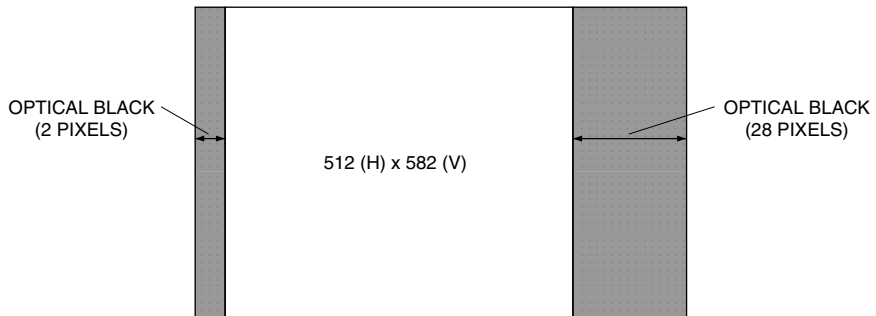
Color temperature of light source : 3 200 K, IR cut-off filter (CM-500, 1 mm) is used.)

PARAMETER	SYMBOL	MIN.	TYP.	MAX.	UNIT	NOTE
Standard output voltage	Vo		150		mV	2
Photo response non-uniformity	PRNU			15	%	3
Saturation output voltage	VSAT	550			mV	4
Dark output voltage	VDARK		0.5		mV	1, 5
Dark signal non-uniformity	DSNU		0.5		mV	1, 6
Sensitivity	R	630	900		mV	7
Smear ratio	SMR		-110	-90	dB	8
Image lag	AI			1.0	%	9
Blooming suppression ratio	ABL	1 000				10
Output transistor drain current	IOD		4.0	8.0	mA	
Output impedance	Ro		400		Ω	

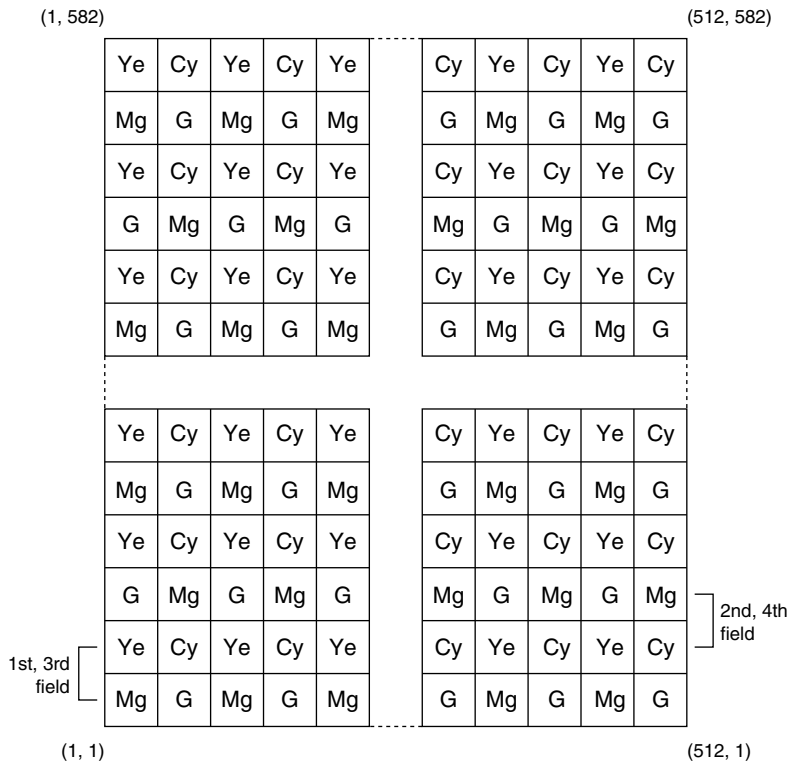
**NOTES :**

- Within the recommended operating conditions of VOD, VOFD of the internal output satisfies with ABL larger than 1 000 times exposure of the standard exposure conditions, and VSAT larger than 550 mV.
1. TA = +60 °C
  2. The average output voltage under uniform illumination. The standard exposure conditions are defined as when Vo is 150 mV.
  3. The image area is divided into 10 x 10 segments under the standard exposure conditions. Each segment's voltage is the average output voltage of all pixels within the segment. PRNU is defined by (Vmax - Vmin)/Vo, where Vmax and Vmin are the maximum and minimum values of each segment's voltage respectively.
  4. The image area is divided into 10 x 10 segments. Each segment's voltage is the average output voltage of all pixels within the segment. VSAT is the minimum segment's voltage under 10 times exposure of the standard exposure conditions.
  5. The average output voltage under non-exposure conditions.
  6. The image area is divided into 10 x 10 segments under non-exposure conditions. DSNU is defined by (Vdmax - Vdmin), where Vdmax and Vdmin are the maximum and minimum values of each segment's voltage respectively.
  7. The average output voltage when a 1000 lux light source with a 90% reflector is imaged by a lens of F4, f50 mm.
  8. The sensor is exposed only in the central area of V/10 square with a lens at F4, where V is the vertical image size. SMR is defined by the ratio of the output voltage detected during the vertical blanking period to the maximum output voltage in the V/10 square.
  9. The sensor is exposed at the exposure level corresponding to the standard conditions. AI is defined by the ratio of the output voltage measured at the 1st field during the non-exposure period to the standard output voltage.
  10. The sensor is exposed only in the central area of V/10 square, where V is the vertical image size. ABL is defined by the ratio of the exposure at the standard conditions to the exposure at a point where blooming is observed.

PIXEL STRUCTURE



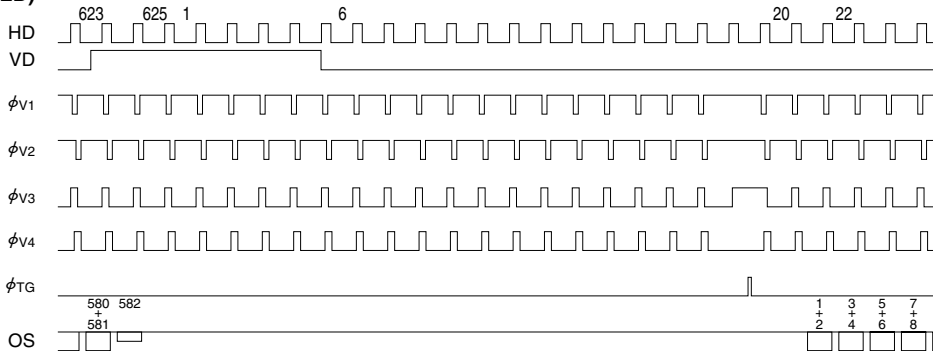
COLOR FILTER ARRAY (FOR LZ2325A)



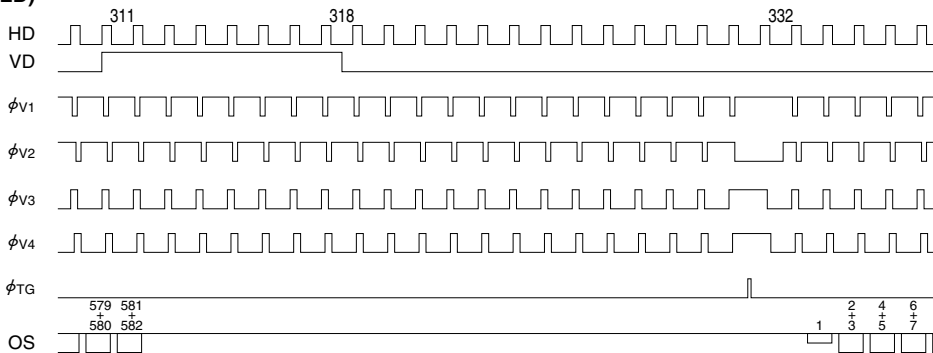
**TIMING CHART**

(1st, 3rd FIELD)

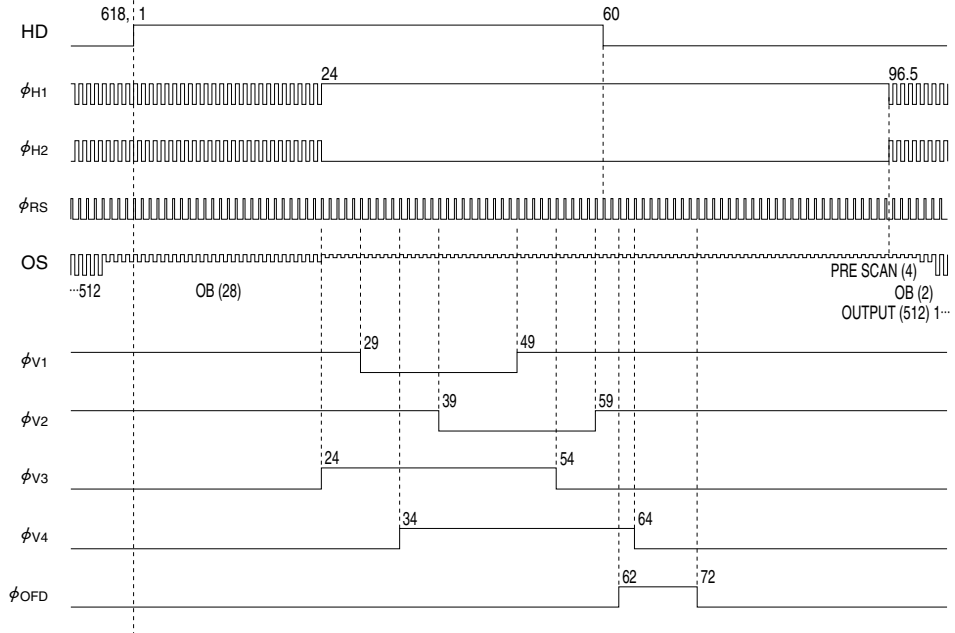
VERTICAL TRANSFER TIMING <NORMAL OUTPUT>

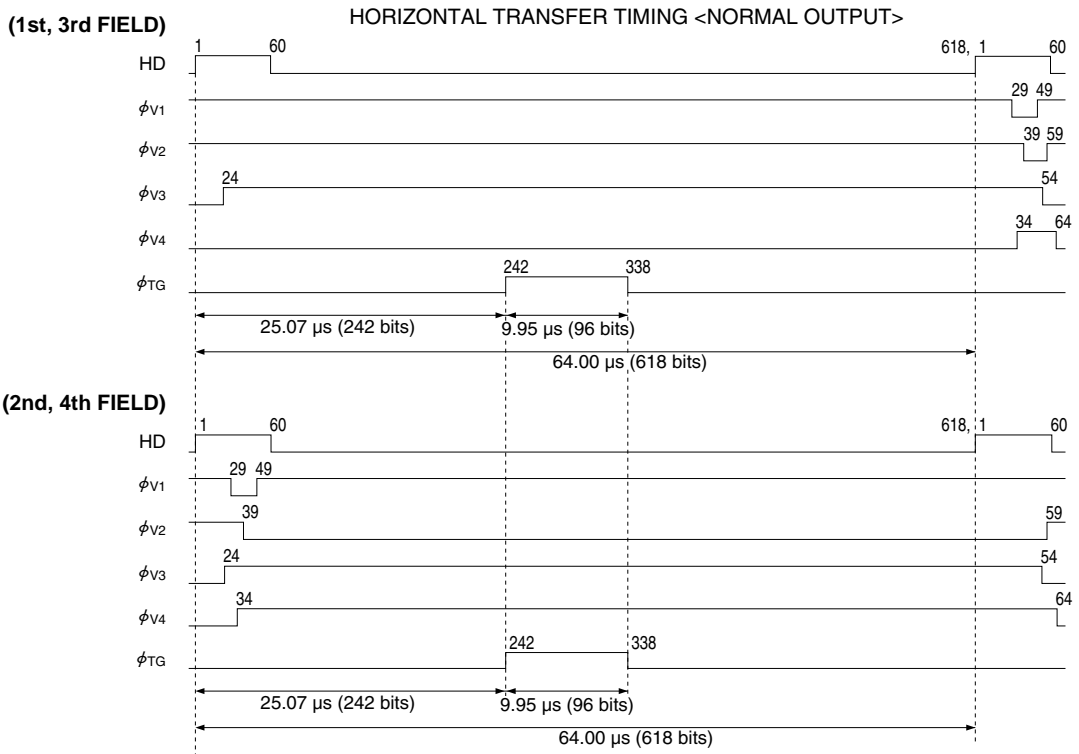


(2nd, 4th FIELD)



HORIZONTAL TRANSFER TIMING <NORMAL OUTPUT>

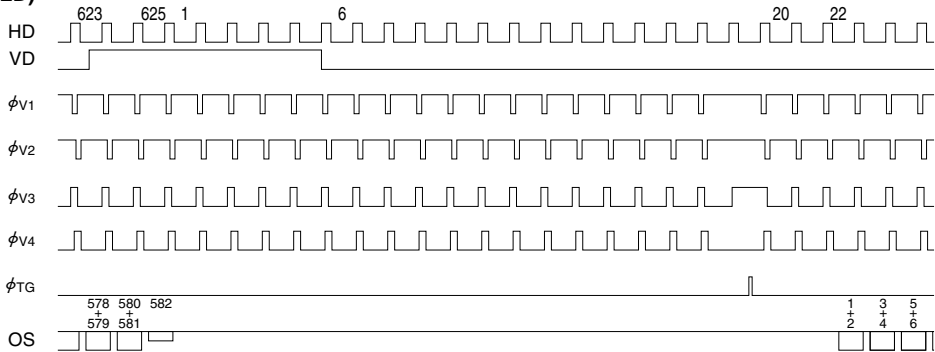




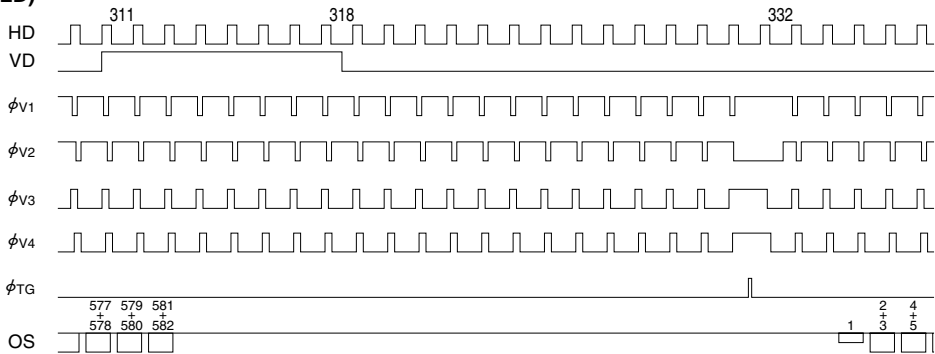


VERTICAL TRANSFER TIMING <MIRROR OUTPUT>

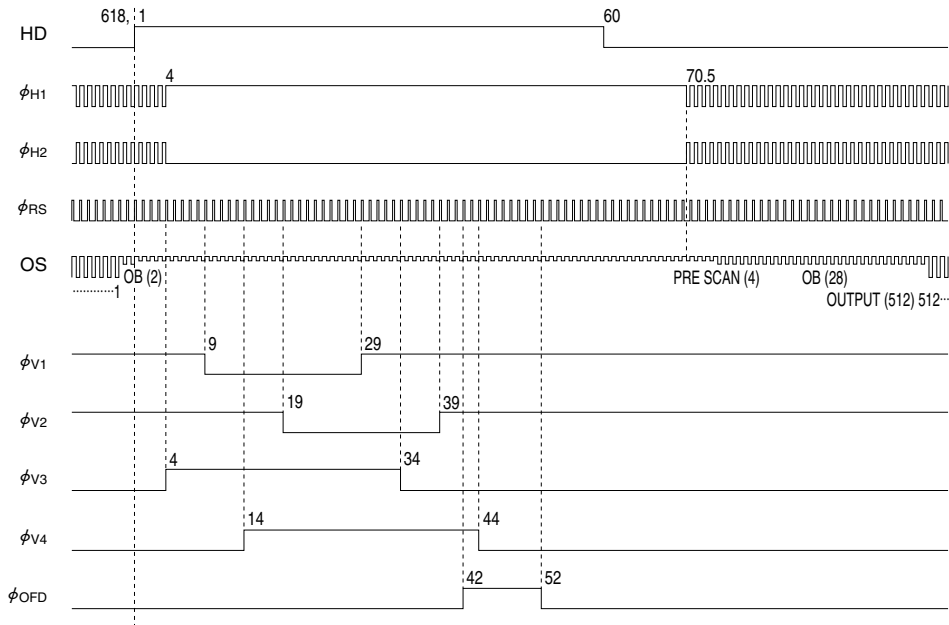
(1st, 3rd FIELD)

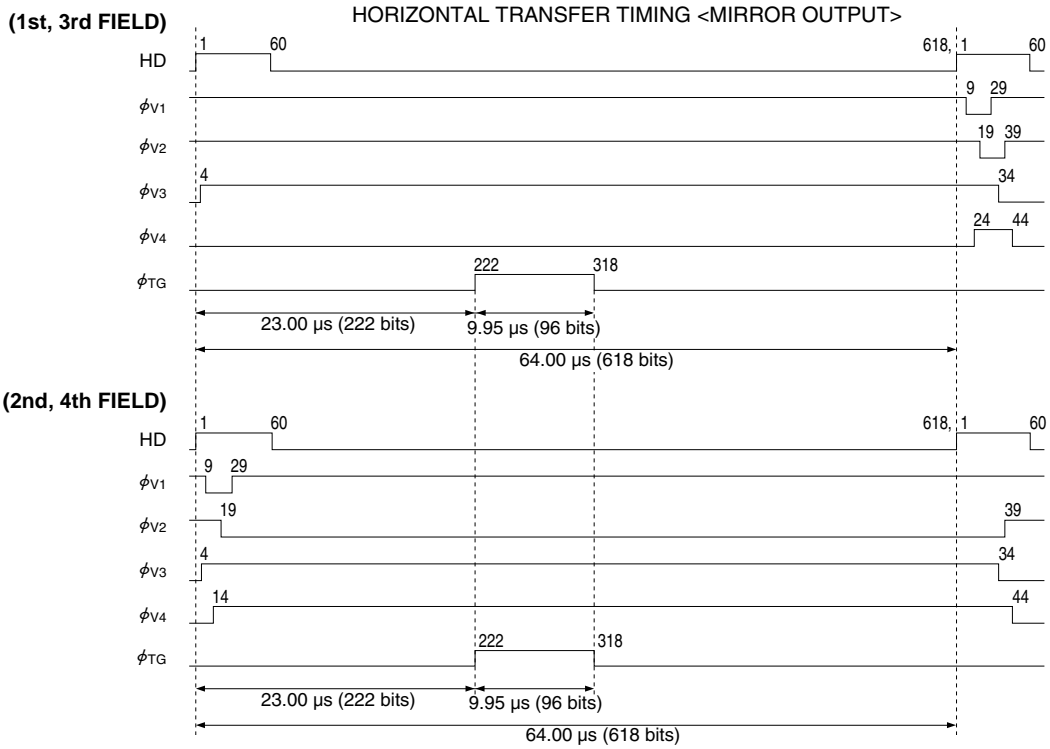


(2nd, 4th FIELD)

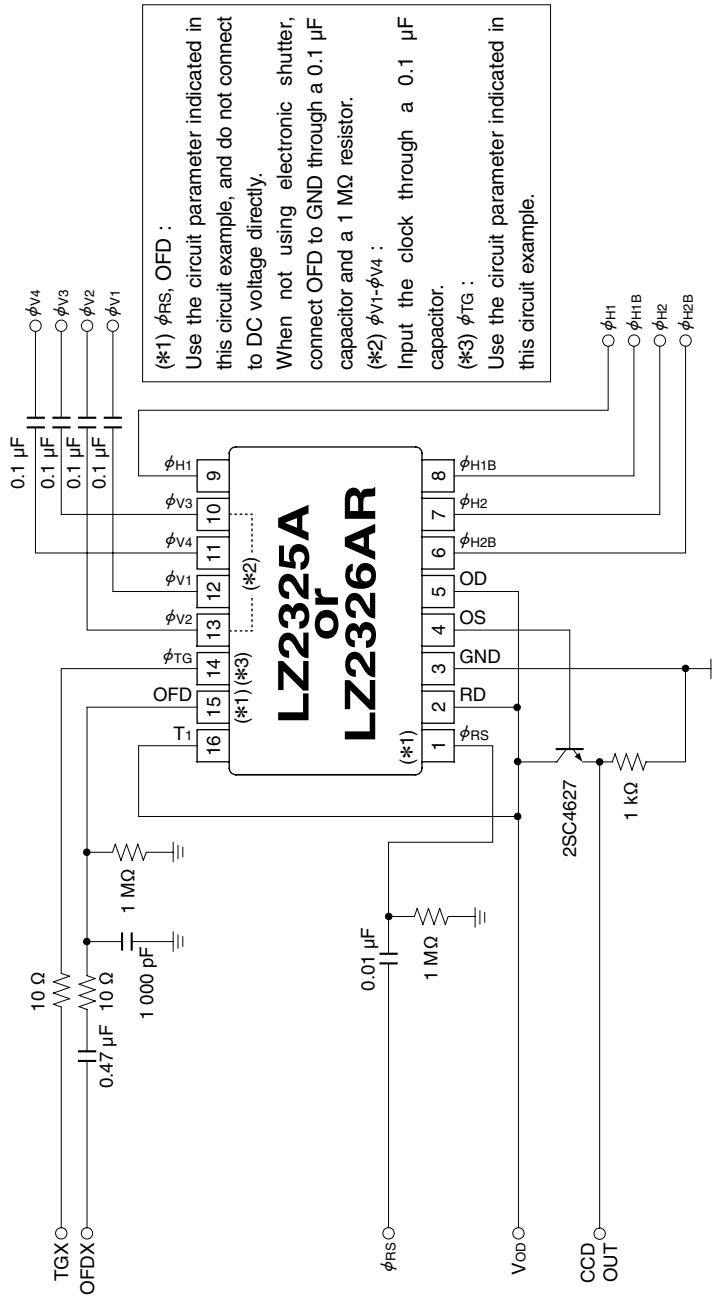


HORIZONTAL TRANSFER TIMING <MIRROR OUTPUT>





SYSTEM CONFIGURATION EXAMPLE

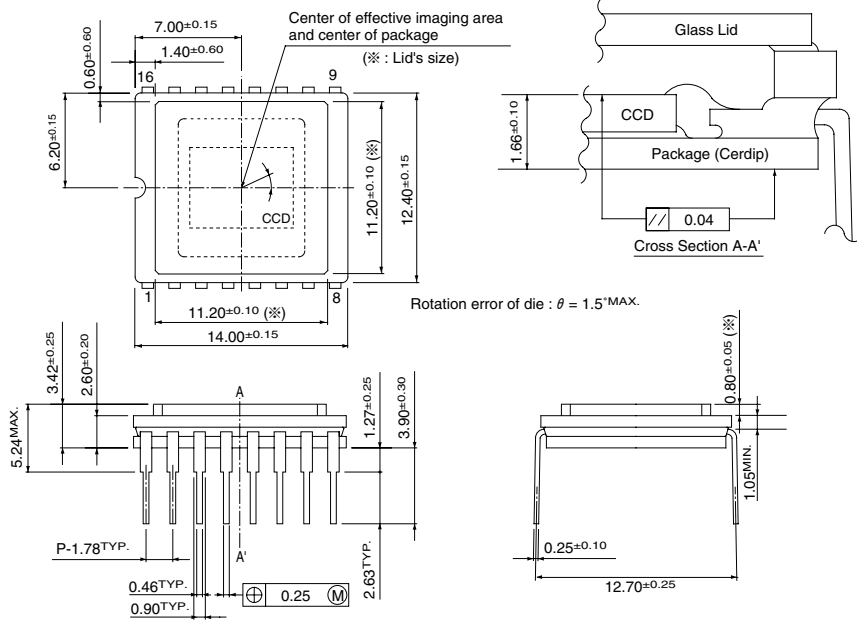


- Example of drive circuit with LR38580 driver IC.

PACKAGE

(Unit : mm)

16 WDIP (WDIP016-N-0500C)



## PRECAUTIONS FOR CCD AREA SENSORS

### 1. Package Breakage

In order to prevent the package from being broken, observe the following instructions :

- 1) The CCD is a precise optical component and the package material is ceramic or plastic.

Therefore,

- Take care not to drop the device when mounting, handling, or transporting.

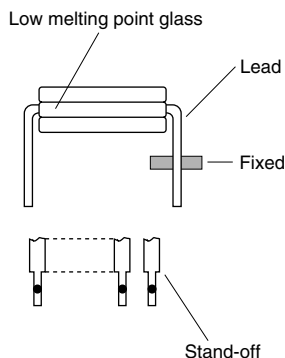
- Avoid giving a shock to the package.

Especially when leads are fixed to the socket or the circuit board, small shock could break the package more easily than when the package isn't fixed.

- 2) When applying force for mounting the device or any other purposes, fix the leads between a joint and a stand-off, so that no stress will be given to the jointed part of the lead. In addition, when applying force, do it at a point below the stand-off part.

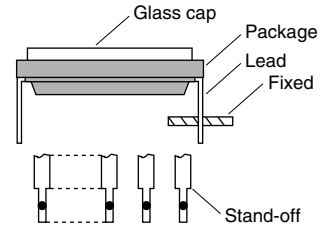
(In the case of ceramic packages)

- The leads of the package are fixed with low melting point glass, so stress added to a lead could cause a crack in the low melting point glass in the jointed part of the lead.



(In the case of plastic packages)

- The leads of the package are fixed with package body (plastic), so stress added to a lead could cause a crack in the package body (plastic) in the jointed part of the lead.



- 3) When mounting the package on the housing, be sure that the package is not bent.
  - If a bent package is forced into place between a hard plate or the like, the package may be broken.

- 4) If any damage or breakage occurs on the surface of the glass cap, its characteristics could deteriorate.

Therefore,

- Do not hit the glass cap.
- Do not give a shock large enough to cause distortion.
- Do not scrub or scratch the glass surface.
- Even a soft cloth or applicator, if dry, could cause dust to scratch the glass.

### 2. Electrostatic Damage

As compared with general MOS-LSI, CCD has lower ESD. Therefore, take the following anti-static measures when handling the CCD :

- 1) Always discharge static electricity by grounding the human body and the instrument to be used. To ground the human body, provide resistance of about 1 MΩ between the human body and the ground to be on the safe side.
- 2) When directly handling the device with the fingers, hold the part without leads and do not touch any lead.

- 3) To avoid generating static electricity,
  - a. do not scrub the glass surface with cloth or plastic.
  - b. do not attach any tape or labels.
  - c. do not clean the glass surface with dust-cleaning tape.
- 4) When storing or transporting the device, put it in a container of conductive material.

### **3. Dust and Contamination**

Dust or contamination on the glass surface could deteriorate the output characteristics or cause a scar. In order to minimize dust or contamination on the glass surface, take the following precautions :

- 1) Handle the CCD in a clean environment such as a cleaned booth. (The cleanliness level should be, if possible, class 1 000 at least.)
- 2) Do not touch the glass surface with the fingers. If dust or contamination gets on the glass surface, the following cleaning method is recommended :
  - Dust from static electricity should be blown off with an ionized air blower. For anti-electrostatic measures, however, ground all the leads on the device before blowing off the dust.

- The contamination on the glass surface should be wiped off with a clean applicator soaked in Isopropyl alcohol. Wipe slowly and gently in one direction only.
  - Frequently replace the applicator and do not use the same applicator to clean more than one device.

※ Note : In most cases, dust and contamination are unavoidable, even before the device is first used. It is, therefore, recommended that the above procedures should be taken to wipe out dust and contamination before using the device.

### **4. Other**

- 1) Soldering should be manually performed within 5 seconds at 350 °C maximum at soldering iron.
- 2) Avoid using or storing the CCD at high temperature or high humidity as it is a precise optical component. Do not give a mechanical shock to the CCD.
- 3) Do not expose the device to strong light. For the color device, long exposure to strong light will fade the color of the color filters.