

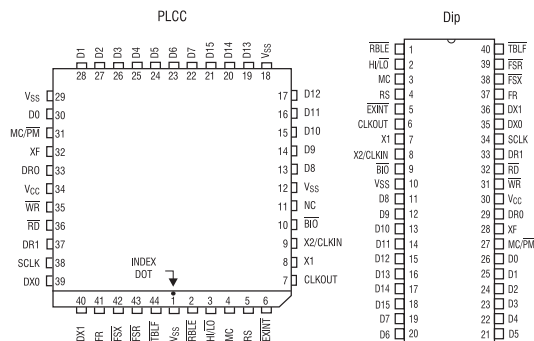
Features

- Direct A-Law PCM digital input
- 2.048 Mb/s clocking
- Programmable forward/backward mode
- Programmable compelled/direct control
- Operates with standard codecs for analog interfacing
- Microprocessor read/write interface
- Binary or 2-of-6 data formats
- Single- or dual-channel versions
- 5 volt power

Applications

- Test equipment
- Trunk adapters
- Paging terminals
- Traffic recorders
- PBXs

Pin Assignments



Description

The M-986-1R2 and -2R2 MFC Transceivers contain all the logic necessary to transmit and receive CCITT R2F (forward) and R2B (backward) multifrequency signals on one 40-pin integrated circuit (IC). M-986-1R2 is a single-channel version; M-986-2R2 provides two channels. R1 single and dual multifrequency transceivers are also available as M-986-1R1 and -2R1.

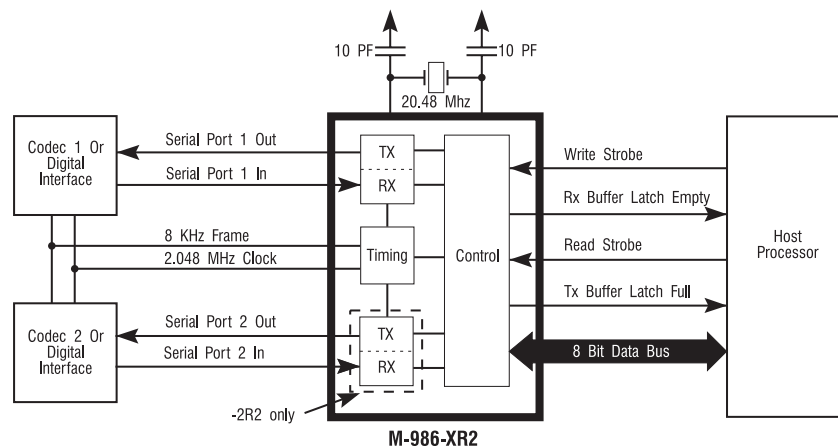
Operating with a 20.48 MHz crystal, the M-986 is capable of providing a direct digital interface to an A-law-encoded PCM digital input. Each channel can be connected to an analog source using a coder-decoder (codec) as shown in the Block Diagram below.

The M-986 can be configured by the customer to operate with the transmitter and receiver either coupled together or independently, allowing it to handle a compelled cycle automatically or via command from the host processor. For the R2 versions of the M-986, A-law is used for coding/decoding. The M-986 is configured and controlled through an integral coprocessor port.

Ordering Information

Part #	Description
M-986-1R2P	40-pin plastic DIP, Single Channel
M-986-1R2PL	44-pin PLCC, Single Channel
M-986-2R2P	40-pin plastic DIP, Dual Channel
M-986-2R2PL	44-pin PLCC, Dual Channel

Block Diagram





M-986-2R2

Function Description

The M-986 can be set up for various operating modes by writing two configuration bytes to the coprocessor port.

Configuration Options

External/Internal Codec Clock (ECLK): If external codec clocking is selected, an external clocking source provides an 8kHz transmit framing clock and an 8kHz receive framing clock. It also provides a serial bit clock with a frequency that is a multiple of 8 kHz between 2.496 MHz and 216 kHz for exchange of data via the serial ports. When internal codec clocking is selected, the M-986 provides an 8kHz framing clock and a 2.048 MHz serial bit clock.

Binary/2 of 6 Input/Output (IOM): When the 2-of-6 input/output is selected, the M-986 encodes the received R2 MF tone pair into in a 6-bit format, where each bit represents one of the six possible frequencies. A logic high level indicates the presence of a frequency. The digital input to the M-986 that selects the transmitted R2 MF tone pair must also be coded in the 2-of-6 format.

When binary input/output is selected, the M-986 encodes the received R2 MF tone pair into a 4 bit binary format. The digital input to the M-986 that selects the transmitted R2 MF tone pair must also be coded in a 4 bit binary format.

Enable/Disable Channel (ENC): When a channel is disabled, the receiver does not process its codec input for R2 MF tones, and the transmitter does not respond to transmit commands. If a transmit command is given while the channel is enabled, the “tone off” command must be given before the channel is disabled. Disabling the channel does not automatically shut off the transmitter. When a channel is enabled, the receiver and transmitter for that channel function normally.

End-of-Digit Indication (EOD): The end-of-digit indication option configures the M-986 to inform the host processor when the far end terminates transmission of the R2 MF tone it is sending. If this option is disabled, the host processor will not be notified when tone transmission terminates.

Automatic Compelled/Manual Sequence Signaling (CMP): When manual mode is selected, R2 MF tone transmission is turned on and off only via command from the host processor.

If the automatic mode is selected, the transmitter and receiver perform the compelled signaling handshake automatically. The specifics of operation are different for the forward and backward configurations.

In forward mode, the transceiver can exist in two states, STATE 1 and STATE 2:

- STATE 1: No backward signal detected. Transmitter under control of the host.
- STATE 2: Backward signal detected. Transmitter off unconditionally.

Configuration Bytes

Configuration Byte 1							
Bit 7	Bit 6	Bit 5	Bit 4	Bit 3	Bit 2	Bit 1	Bit 0
0	0	ECLK	IOM	ENC1	EOD1	CMP1	FB1
ECLK	Channels 1 & 2	1 = External codec clock; 0 = Internal codec clock					
IOM	Channels 1 & 2	1 = Binary input/output; 0 = 2-of-6 input/output					
ENC1	Channel 1	1 = Enable channel; 0 = Disable channel					
EOD1	Channel 1	1 = Indicate end of digit; 0 = No end of digit indication					
CMP1	Channel 1	1 = Automatic Compelled mode; 0 = Manual mode					
FB1	Channel 1	1 = Forward mode (Tx forward frequencies and Rx backward frequencies) 0 = Backward mode (Tx backward frequencies and Rx forward frequencies)					
Configuration Byte 2							
Bit 7	Bit 6	Bit 5	Bit 4	Bit 3	Bit 2	Bit 1	Bit 0
0	1	0	0	ENC2	EOD2	CMP2	FB2
ENC2	Channel 2	1 = Enable channel; 0 = Disable channel					
EOD2	Channel 2	1 = Indicate end of digit; 0 = No end of digit indication					
CMP2	Channel 2	1 = Automatic Compelled mode; 0 = Manual mode					
FB2	Channel 2	1 = Forward mode (Tx forward frequencies and Rx backward frequencies) 0 = Backward mode(Tx backward frequencies and Rx forward frequencies)					

A Transmit Tone Command written while the transceiver is in STATE 1 will be acted upon immediately. The transmitter is unconditionally disabled upon entry into STATE 2. If a transmit command is written to the transceiver while in STATE 2, that command will become pending. Upon entry into STATE 1, a pending transmit command is acted upon.

In backward mode, the transceiver can exist in two states, STATE 1 and STATE 2:

STATE 1: No forward signal detected.

Transmitter off unconditionally.

STATE 2: Forward signal detected.

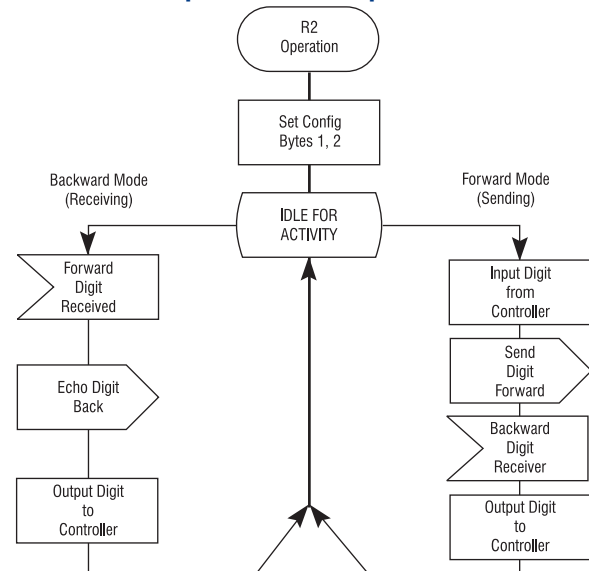
Transmitter transmits backward signal.

A transmit tone command written while the transceiver is in STATE 2 will be acted upon immediately. The transmitter is unconditionally disabled upon entry into STATE 1. If a transmit command is written to the transceiver while in STATE 1, that command will become pending. Upon entry into STATE 2, a pending transmit command is acted upon.

EXAMPLE: Assume that the transceivers at both ends of a link are configured in automatic compelled mode.

Both transceivers are in STATE 1. A compelled signaling sequence begins with the R2F host writing a transmit command byte to its transceiver via the coprocessor bus. The transceiver immediately begins transmitting the signal.

Automatic Compelled Mode Operation



2 of 6 Coding Format

Byte	Bit 7	Bit 6	Bit 5	Bit 4	Bit 3	Bit 2	Bit 1	Bit 0
Transmit tone command	1	CHN	F6	F5	F4	F3	F2	F1
Receive tone return	0	CHN	F6	F5	F4	F3	F2	F1

CHN: 1 = channel 2; 0 = channel 1

R2 MF Frequencies:

Bit name	Forward (Hz)	Backward (Hz)	Bit name	Forward (Hz)	Backward (Hz)
F6	1980	540	F3	1620	900
F5	1860	660	F2	1500	1020
F4	1740	780	F1	1380	1140

Binary Coding Format

Byte	Bit 7	Bit 6	Bit 5	Bit 4	Bit 3	Bit 2	Bit 1	Bit 0
Transmit tone command	1	CHN	0	0	A	B	C	D
Receive tone return	0	CHN	0	0	A	B	C	D

CHN: 1 = channel 2; 0 = channel 1

R2 MF Frequencies:

ABCD	Forward (Hz)	Backward (Hz)	ABCD	Forward (Hz)	Backward (Hz)
0 0 0 0	Tone off	Tone off	1 0 0 0	1500 & 1860	1020 & 660
0 0 0 1	1380 & 1500	1140 & 1020	1 0 0 1	1620 & 1860	900 & 660
0 0 1 0	1380 & 1620	1140 & 900	1 0 1 0	1740 & 1860	780 & 660
0 0 1 1	1500 & 1620	1020 & 900	1 0 1 1	1380 & 1980	1140 & 540
0 1 0 0	1380 & 1740	1140 & 780	1 1 0 0	1500 & 1980	1020 & 540
0 1 0 1	1500 & 1740	1020 & 780	1 1 0 1	1620 & 1980	900 & 540
0 1 1 0	1620 & 1740	900 & 780	1 1 1 0	1740 & 1980	780 & 540
0 1 1 1	1380 & 1860	1140 & 660	1 1 1 1	1860 & 1980	660 & 540



M-986-2R2

The R2B transceiver detects the signal, enters STATE 2, and outputs the received tone code to its host via the coprocessor port. If the R2B host had determined the next tone to transmit and written a transmit command to the transceiver prior to entry into STATE 2, the state transition will cause this tone to be transmitted. Otherwise, the R2B transmitter waits for a transmit tone command from the host, and starts transmitting a tone once the transmit tone command is received.

The R2F transceiver detects the backward signal, enters STATE 2, and outputs the received tone code to its host. Entry into STATE 2 unconditionally disables the transmitter.

The R2B transceiver detects the absence of signal, enters STATE 1, and informs the host with the end-of-tone code if configured to do so. Entry into STATE 1 unconditionally disables the transmitter.

The R2F transceiver detects the absence of signal, enters STATE 1, and informs the host with the end-of-tone code if configured to do so. If the R2F host had determined the next signal to transmit and written a transmit command to the transceiver prior to entry into STATE 1, the state transition will cause this signal to be transmitted. Otherwise, the transmitter remains silent until the next transmit command by its host.

Forward/Backward Frequencies (FB): When forward mode is selected, the R2F (forward) frequencies are transmitted and R2B (backward) frequencies are received. When backward mode is selected, R2B frequencies are transmitted and R2F frequencies are received. The R2F frequencies are 1380, 1500, 1620, 1740, 1860, and 1980 Hertz. The R2B frequencies are 540, 660, 780, 900, 1020, and 1140 Hz.

Initial Configuration: The configuration of the M-986 immediately after a reset will be as follows:

- End-of-digit indication ON
- Forward mode ON
- Channel disabled
- 2-of-6 input/output
- External serial and serial frame clocks.

Also, the M-986 will place 00 hex on the coprocessor port to indicate to the host processor that it is working.

Transmit Tone Command

The transmit tone command allows the host processor to transmit any two of the 6 possible frequencies in the transmission mode the channel has been configured for (forward or backward). The format of the command depends on whether the M-986 is configured for binary format or 2-of-6 format.

Received Tone Detection

When a tone is detected by the M-986, the $\overline{\text{TBLF}}$ output goes low, indicating reception of the tone to the host processor. The host processor can determine which tone was detected and which channel the tone was detected on by reading data from the M-986 coprocessor port. The M-986 will return a single byte indicating the tone received and the channel that the tone was received on. The format of the returned byte depends on whether the M-986 is configured for binary or 2-of-6 coding.

Coprocessor Port

Commands are written to the M-986 via the coprocessor port, and data indicating the received R2 MF tone is read from the coprocessor port.

Writing to the Coprocessor Port: The following sequence describes writing a command to the M-986.

- (1) The $\overline{\text{WR}}$ signal is driven low by the host processor.
- (2) The $\overline{\text{RBLE}}$ (receive buffer latch empty) signal transitions to a logic high level.
- (3) Data is written from LD7-LD0 to the receive buffer latch (D7-D0) when the $\overline{\text{WR}}$ signal goes high.
- (4) The $\overline{\text{RBLE}}$ signal transitions to a logic low level after the M-986 reads the data. This signals the host processor that the receive buffer is empty.

Note: The $\overline{\text{RBLE}}$ should be low before writing to the coprocessor.

Reading the Coprocessor Port: The following sequence describes reading received tone information from the coprocessor port.

- (1) The $\overline{\text{TBLF}}$ (transmit buffer latch full) port pin on the M-986 goes low indicating the reception of a tone.
- (2) The host processor detects the low logic level on the $\overline{\text{TBLF}}$ pin either by polling a connected port pin or by an interrupt.
- (3) The host processor drives the $\overline{\text{RD}}$ signal low.
- (4) The $\overline{\text{TBLF}}$ (transmit buffer latch full) signal transitions to a logic high level.
- (5) Data is driven onto LD7-LD0 by the M-986 until the $\overline{\text{RD}}$ signal is driven high by the host processor.

Clock Characteristics and Timing

Internal Clock Option: The internal oscillator is enabled by connecting a crystal across X1 and X2/CLKIN. The crystal must be 20.48 MHz, fundamental mode, and parallel resonant, with an effective series resistance of 30 ohms, a power dissipation of 1 mW, and unspecified at a load capacitance of 20 pf.

External Clock Option: An external frequency source can be used by injecting the frequency directly in X2/CLKIN, with X1 left unconnected. The external frequency injected must conform to the specifications listed in the External Frequency specification Table on page 7.

Flammability/Reliability Specifications

Reliability: 185 FITS failures/billion hours
 Flammability: Passes UL 94 V-0 tests

Signal Description

Signal	DIP Pinout	PLCC Pinout	I/O/Z	Description
Note: Please see the following definitions: DIP = Dual In-line Package PLCC = Plastic Leaded Chip Carrier				
D15-D8	18-11	13-17, 19-21	I/O/Z	Unused. Leave open.
D7-D0	19-26	22-28, 30	I/O/Z	8-bit coprocessor latch.
$\overline{\text{TBLF}}$	40	44	0	Transmit buffer latch full flag.
$\overline{\text{RBLE}}$	1	2	0	Receive buffer latch empty flag
HI/ $\overline{\text{LO}}$	2	3	I	Latch byte select pin. Tie low.
$\overline{\text{BIO}}$	9	10	I	Unused. Leave open.
$\overline{\text{RD}}$	32	36	I/O	Used by the external processor to read from the coprocessor latch by driving the $\overline{\text{RD}}$ line active (low), thus enabling the output latch to drive the latched data. When the data has been read, the external device must bring the RD line high.
$\overline{\text{EXINT}}$	5	6	I	Unused. Leave open.
MC	3	4	I	Microcomputer mode select pin. Tie low.
MC/ $\overline{\text{PM}}$	27	31	I	Coprocessor mode select pin. Tie low.
$\overline{\text{RS}}$	4	5	I	Reset input for initializing the device. When an active low is placed on RS pin for a minimum of five clock cycles, RD and WR are forced high, and the data bus (D7 through D0) goes to a high impedance state. The serial port clock and transmit outputs also go to the high impedance state.
$\overline{\text{WR}}$	31	35	I/O	Used by the external processor to write data to the coprocessor port. To write data the external processor drives the WR line low, places data on the data bus, and then drives the WR line high to clock the data into the on-chip latch.
XF	28	32	0	Watchdog signal. Toggles at least once every 15 milliseconds when the processor is functioning properly. If the pin is not toggled at least once every 15 ms, the processor is lost and should be reset.
CLKOUT	6	7	0	System clock output (one-fourth crystal/CLKIN frequency, nominally 5.12 MHz).
V _{CC}	30	34	I	5V supply pin.
V _{SS}	10	1, 12, 18, 29	I	Ground pin.
X1	7	8	0	Crystal output pin for internal oscillator. If an internal oscillator is not used, this pin should be left unconnected.
X2/CLKIN	8	9	I	Input pin to the internal oscillator (X2) from the crystal. Alternatively, an input pin for the external oscillator (CLKIN).
DR1 & DR0	33 & 29	37, 33	I	Serial-port receive-channel inputs. 2.048 MHz serial data is received in the receive registers via these pins. DR0 = channel 1; DR1 = channel 2
DX1 & DX0	36 & 35	40, 39	0	Serial-port transmit-channel outputs. 2.048 MHz serial data is transmitted from the transmit registers on these pins. These outputs are in the high-impedance state when not transmitting.



Signal Description (continued)

Signal	DIP Pinout	PLCC Pinout	I/O/Z	Description
FR	37	41	0	8 kHz internal serial-port framing output. If internal clocking is selected, serial-port transmit and receive operations occur simultaneously on an active (high) FR framing pulse.
FSR	39	43	I	8 kHz external serial-port receive-framing input. If external clocking is selected, data is received via the receive pins (DR1 and DR0) on the active (low) FSR input. The falling edge of FSR initiates the receive process, and the rising edge causes the M-986 to process the data.
FSX	38	42	I	8 kHz external serial-port transmit-framing input. If external clocking is enabled, data is transmitted on the transmit pins (DX1, DX0) on the active (low) input. The falling edge of FSX initiates the transmit process, and the rising edge causes the M-986 to internally load data for the next cycle.
SCLK	34	38	I/O/Z	2.048 MHz serial-port clock. Master clock for transmitting and receiving serial-port data. Configured as an input in external clocking mode or output in internal clocking mode. Reset (RS) forces SCLK to the high-impedance state.

Absolute Maximum Ratings Over Specified Temperature

Supply voltage range, V_{CC}	-0.3 V to 7 V
Input voltage range	-0.3 V to 15 V
Output voltage range	-0.3 V to 15 V
Ambient air temperature range	0°C to 70°C
Storage temperature range	-45°C to 150°C

Absolute Maximum Ratings are stress ratings. Stresses in excess of these ratings can cause permanent damage to the device. Functional operation of the device at these or any other conditions beyond those indicated in the operational sections of this data sheet is not implied. Exposure of the device to the absolute maximum ratings for an extended period may degrade the device and effect its reliability.

Serial Port Timing

Parameter		Min	Nom	Max	Units
t_d (CH-FR)	Internal framing delay from SCLK rising edge	-	-	70	ns
t_d (DX1-CL)	DX bit 1 valid before SCLK falling edge	20	-	-	ns
t_d (DX2-CL)	DX bit 2 valid before SCLK falling edge	20	-	-	ns
t_h (DX)	DX hold time after SCLK falling edge	244	-	-	ns
t_{su} (DR)	DR setup time before SCLK falling edge	20	-	-	ns
t_h (DR)	DR hold time after SCLK falling edge	20	-	-	ns
t_c (SCLK)	Serial port clock cycle time	399	488.28	4770	ns
t_f (SCLK)	Serial port clock fall time	-	-	30	ns
t_r (SCLK)	Serial port clock rise time	-	-	30	ns
t_w (SCLKL)	Serial port clock low-pulse duration*	220	244.14	2500	ns
t_w (SCLKH)	Serial port clock high-pulse duration*	220	244.14	2500	ns
t_{su} (FS)	FSX/FSR setup time before SCLK falling edge	100	-	-	ns

* The duty cycle of the serial port clock must be within 45% to 55%.

Electrical Characteristics/Temperature Range

Parameter		Test Conditions	Min	Typ	Max	Unit	
I_{CC}	Supply current	$f = 20.5 \text{ MHz}$, $V_{CC} = 5.5\text{V}$, - 50 $T_A = 0^\circ \text{ to } 70^\circ \text{C}$	75	mA			
V_{OH}	High-level output voltage	$I_{OH} = \text{MAX}$	2.4	3	-	V	
		$I_{OH} = 20 \mu\text{A}$	$V_{CC} - 0.4$	-	-	V	
V_{OL}	Low-level output voltage	$I_{OL} = \text{MAX}$	-	0.3	0.6	V	
I_{OZ}	Off-state output current	$V_{CC} = \text{MAX}$	$V_O = 2.4 \text{ V}$	-	-	20	μA
			$V_O = 0.4 \text{ V}$	-	-	-20	μA
I_I	Input current	$V_I = V_{SS} \text{ to } V_{CC}$	Except CLKIN	-	-	± 20	μA
			CLKIN	-	-	± 50	μA
C_I	Input capacitance	Data bus	$f = 1 \text{ MHz}$, all other pins 0 V	-	25	-	pF
		All others		-	15	-	pF
C_O	Output capacitance	Data bus		-	25	-	pF
		All others		-	10	-	pF

External Frequency Specifications

Parameter		Min	Nom	Max	Unit
$t_c(\text{MC})$	Master clock cycle time	48.818	48.828	48.838	ns
$t_r(\text{MC})$	Rise time master clock input	-	5	10	ns
$t_f(\text{MC})$	Pulse duration master clock	20	-	-	ns

Recommended Operating Conditions

Parameter		Min	Nom	Max	Unit	
V_{CC}	Supply voltage	4.75	5	5.25	V	
V_{SS}	Supply voltage	-	0	-	V	
V_{IH}	High-level input voltage	All inputs except CLKIN	2	-	-	V
		CLKIN	3	-	-	V
		MC/PM	2.2	-	-	V
V_{IL}	Low-level input voltage	All inputs except MC/MP	-	-	0.8	V
		MC/MP	-	-	0.6	V
I_{OH}	High-level output current (all outputs)	-	-	-300	μA	
I_{OL}	Low-level output current (all outputs)	-	-	2	mA	

Coprocessor Interface Timing

Parameter		Min	Nom	Max	Unit
$t_{d(R-A)}$	RD low to TBLF high	-	-	75	ns
$t_{d(W-A)}$	WR low to RBLE high	-	-	75	ns
$t_{a(RD)}$	RD low to data valid	-	-	80	ns
$t_{h(RD)}$	Data hold time after RD high	25	-	-	ns
$t_{su(WR)}$	Data setup time prior to WR high	30	-	-	ns
$t_{h(WR)}$	Data hold time after WR high	25	-	-	ns
$t_{w(RDL)}$	RD low-pulse duration	80	-	-	ns
$t_{w(WRL)}$	WR low-pulse duration	60	-	-	ns
$t_{wr(RBLE)}$	RBLE \uparrow to RBLE \downarrow	-	-	1	ms

**M-986-2R2****Reset (RS) Timing**

Parameter		Test Conditions	Min	Max	Unit
$t_{dis}(R)$	Data bus disable time after RS	$R_L = 825$ $C_L = 100 \text{ pF}\Omega$	-	75	ns
t_{d12}	Delay time from $RS\downarrow$ to high-impedance SCLK		-	200	ns
t_{d13}	Delay time from $RS\downarrow$ to high-impedance DX1, DX0		-	200	ns
$t_{su}(R)$	Reset (RS) setup time prior to CLKOUT		50	-	ns
$t_{w}(R)$	RS pulse duration		977	-	ns

CLKOUT Timing Parameters

Parameter		Test Conditions	Min	Nom	Max	Unit
$t_{c(C)}$	CLKOUT cycle time	195.27	195.31	195.35	ns	
$t_{r(C)}$	CLKOUT rise time	$R_L = 825$ $C_L = 100 \text{ pF}\Omega$	-	10	-	ns
$t_{f(C)}$	CLKOUT fall time		-	8	-	ns
$t_{d(MCC)}$	Delay time CLKIN \uparrow to CLKOUT \downarrow		25	-	60	ns

Transmitter Characteristics

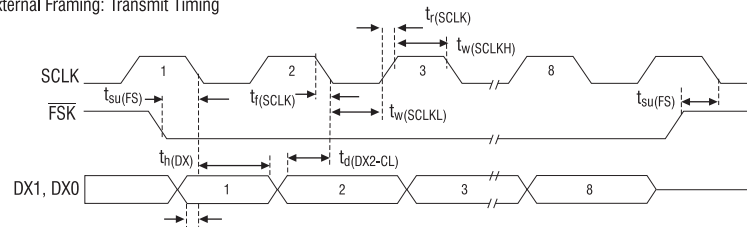
Parameter		Test Conditions	Min	Typ	Max	Unit
F_{OS}	Frequency offset	From nominal	-	-	± 1	Hz
T_W	Twist	High/low	-	-	± 0.5	dB
A_S	Signal amplitude	Per component	-9.26	-8.86	-8.46	dBm0
T_S	Time skew	Between components	-	-	0	ms
P_{hi}	Power due to harmonic distortion and intermodulation	300 to 3400 Hz	-	-	-46.5	dBm0

Receiver Characteristics

Parameter		Test Conditions	Min	Max	Unit
A_d	Detect amplitude	Per frequency	-35	-5	dBm0
A_{nd}	No-detect amplitude	Per frequency	-42	-35	dBm0
F_d	Detect with frequency offset	From nominal	± 10	-	Hz
TW_d	Detect with twist	Adjacent frequencies	± 5	-	dB
		Nonadjacent frequencies	± 7	-	dB
TW_{nd}	No detect with twist		± 20	-	dB
$T3_r$	Third R2F tone reject Relative to highest level frequency		-20	-	dB
FF_d	Detect R2B with R2F disturbing	Above lowest level R2B tone (-12.5 dBm0 max.)	13.5	-	dB
FT_{nd}	No detect R2F with 2 out-of-band sine waves	Any frequencies from 330 - 1150 Hz and 2130 - 3400 Hz	-5	-	dBm0
RT_{nd}	No detect R2B with 2 out-of-band sine waves	Any frequencies from 1300-3400 Hz	-5	-	dBm0
T_{on}	Tone time	Reject	7	-	ms
T_{int}	Interrupted tone time	Reject	7	-	ms
T_{or}	Operate and release time			-	80

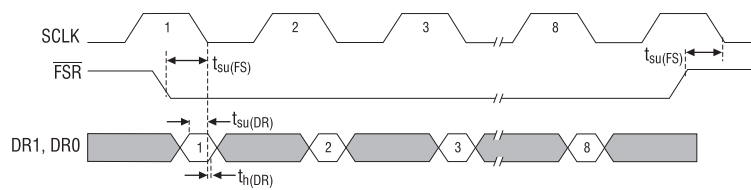
External Framing Timing Diagrams

External Framing: Transmit Timing

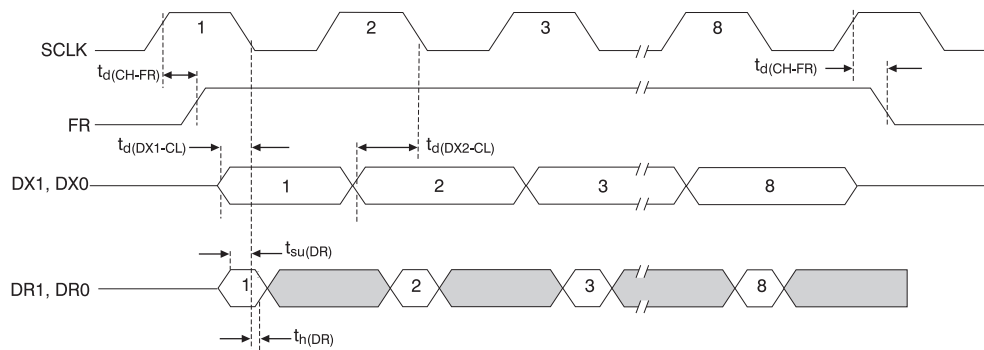


NOTES: Data valid on transmit outputs until SCLK rises.
The most significant bit is shifted first.

External Framing: Receive Timing

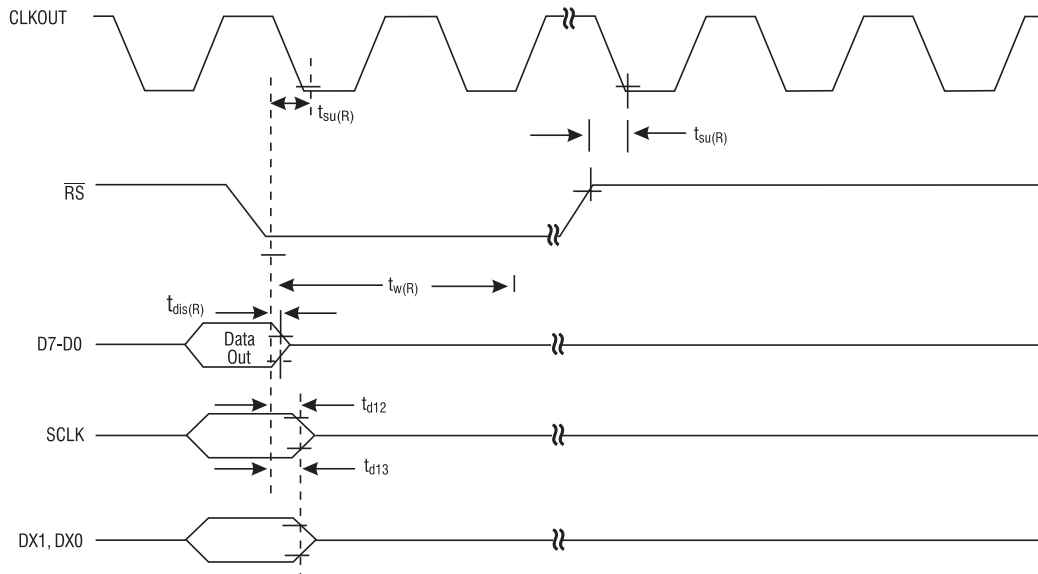


Internal Framing Timing

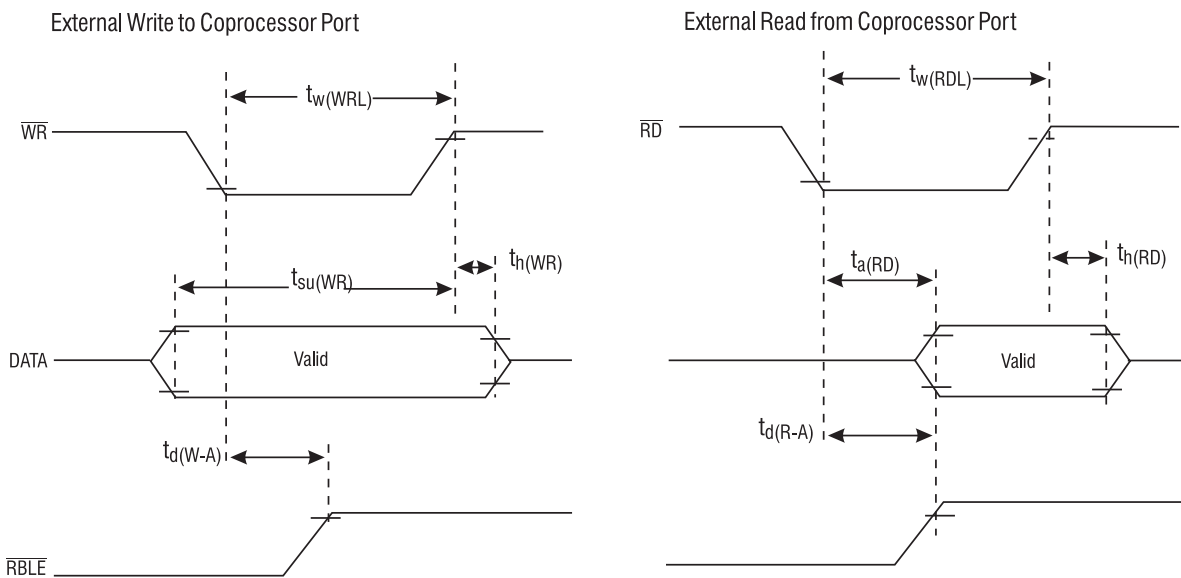


Note: The most significant bit is shifted first.

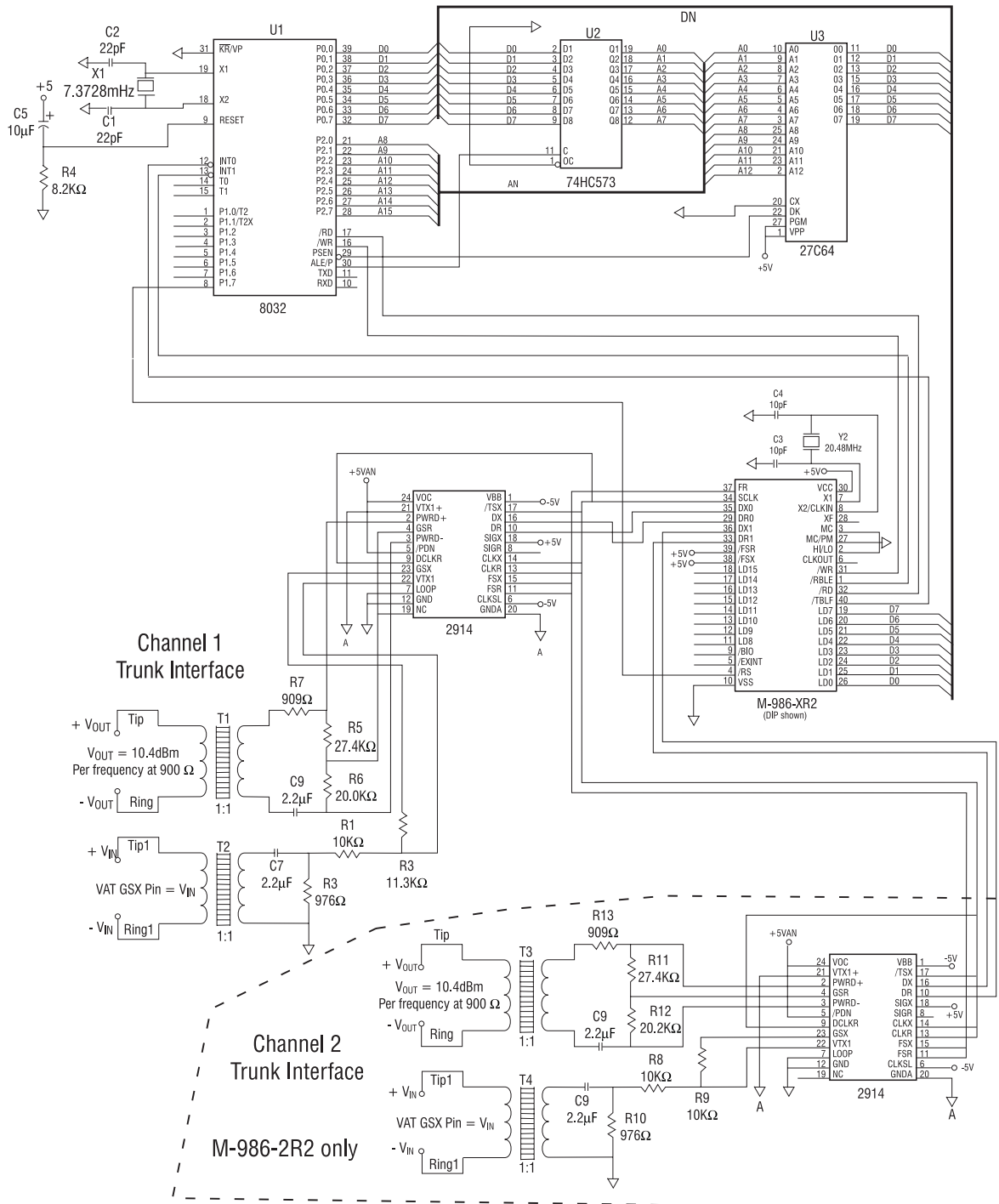
Reset Timing



Coprocessor Timing

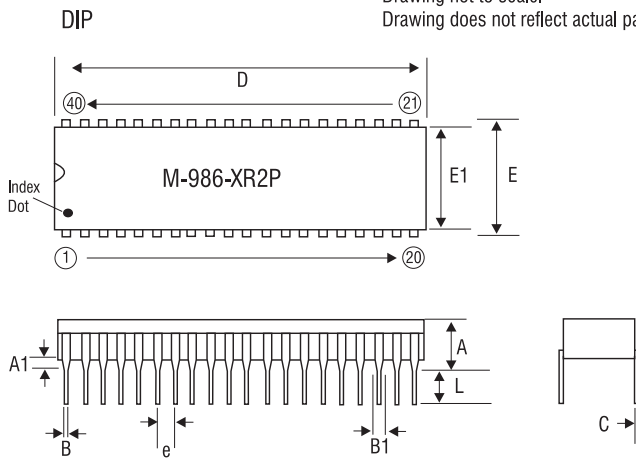


M-986 Dual Channel 4-Wire Interface Circuit



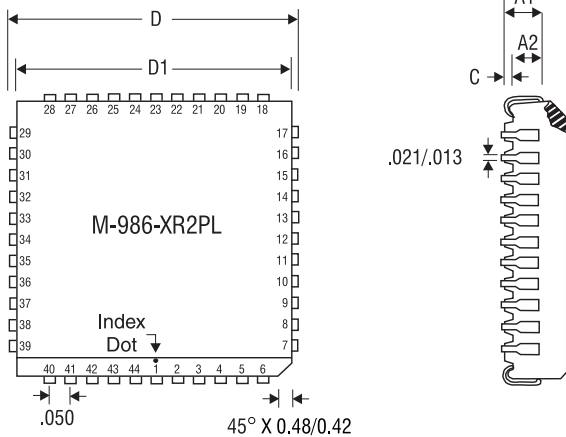
Mechanical Dimensions

Drawing not to scale.
Drawing does not reflect actual part marking.



	Tolerances			
	(inches)		Metric (mm)	
	Min	Max	Min	Max
A	-	.250	-	6.35
A1	.015	-	.39	
B	.014	.022	.356	.558
B1	.030	.070	.77	1.78
C	.008	.015	.204	.38
D	1.98	2.095	50.30	53.20
E	.600	.625	15.24	15.87
E1	.485	.580	12.32	14.73
e	.100 BSC		2.54 BSC	
L	.115	.200	2.93	5.08

PLCC



	Tolerances			
	(inches)		Metric (mm)	
	Min	Max	Min	Max
A	.165	.180	4.191	4.572
A1	.090	.20	2.286	5.08
A2	.062	.083	1.575	2.108
C	.020 min		.508 min	
D	.685	.695	17.399	17.653
D1	.650	.653	16.510	16.662

Dimensions
mm
(inches)



CLARE LOCATIONS

Clare Headquarters
78 Cherry Hill Drive
Beverly, MA 01915
Tel: 1-978-524-6700
Fax: 1-978-524-4900
Toll Free: 1-800-27-CLARE

Clare Switch Division
4315 N. Earth City Expressway
Earth City, MO 63045
Tel: 1-314-770-1832
Fax: 1-314-770-1812

Clare Micronix Division
145 Columbia
Aliso Viejo, CA 92656-1490
Tel: 1-949-831-4622
Fax: 1-949-831-4628

SALES OFFICES

AMERICAS

Americas Headquarters

Clare
78 Cherry Hill Drive
Beverly, MA 01915
Tel: 1-978-524-6700
Fax: 1-978-524-4900
Toll Free: 1-800-27-CLARE

Eastern Region

Clare
603 Apache Court
Mahwah, NJ 07430
Tel: 1-201-236-0101
Fax: 1-201-236-8685
Toll Free: 1-800-27-CLARE

Central Region

Clare Canada Ltd.
3425 Harvester Road, Suite 202
Burlington, Ontario L7N 3N1
Tel: 1-905-333-9066
Fax: 1-905-333-1824

Western Region

Clare
1852 West 11th Street, #348
Tracy, CA 95376
Tel: 1-209-832-4367
Fax: 1-209-832-4732
Toll Free: 1-800-27-CLARE

Canada

Clare Canada Ltd.
3425 Harvester Road, Suite 202
Burlington, Ontario L7N 3N1
Tel: 1-905-333-9066
Fax: 1-905-333-1824

EUROPE

European Headquarters

CP Clare nv
Bampslaan 17
B-3500 Hasselt (Belgium)
Tel: 32-11-300868
Fax: 32-11-300890

France

Clare France Sales
Lead Rep
99 route de Versailles
91160 Champlan
France
Tel: 33 1 69 79 93 50
Fax: 33 1 69 79 93 59

Germany

Clare Germany Sales
ActiveComp Electronic GmbH
Mitterstrasse 12
85077 Manching
Germany
Tel: 49 8459 3214 10
Fax: 49 8459 3214 29

Italy

C.L.A.R.E.s.a.s.
Via C. Colombo 10/A
I-20066 Melzo (Milano)
Tel: 39-02-95737160
Fax: 39-02-95738829

Sweden

Clare Sales
Comptronic AB
Box 167
S-16329 Spånga
Tel: 46-862-10370
Fax: 46-862-10371

United Kingdom

Clare UK Sales
Marco Polo House
Cook Way
Bindon Road
Taunton
UK-Somerset TA2 6BG
Tel: 44-1-823 352541
Fax: 44-1-823 352797

ASIA/PACIFIC

Asian Headquarters

Clare
Room N1016, Chia-Hsin, Bldg II,
10F, No. 96, Sec. 2
Chung Shan North Road
Taipei, Taiwan R.O.C.
Tel: 886-2-2523-6368
Fax: 886-2-2523-6369

<http://www.clare.com>

Clare, Inc. makes no representations or warranties with respect to the accuracy or completeness of the contents of this publication and reserves the right to make changes to specifications and product descriptions at any time without notice. Neither circuit patent licenses nor indemnity are expressed or implied. Except as set forth in Clare's Standard Terms and Conditions of Sale, Clare, Inc. assumes no liability whatsoever, and disclaims any express or implied warranty, relating to its products including, but not limited to, the implied warranty of merchantability, fitness for a particular purpose, or infringement of any intellectual property right.

The products described in this document are not designed, intended, authorized or warranted for use as components in systems intended for surgical implant into the body, or in other applications intended to support or sustain life, or where malfunction of Clare's product may result in direct physical harm, injury, or death to a person or severe property or environmental damage. Clare, Inc. reserves the right to discontinue or make changes to its products at any time without notice.

Specification: DS-M986-2R2-R3
©Copyright 2001, Clare, Inc.
All rights reserved. Printed in USA.
7/20/01