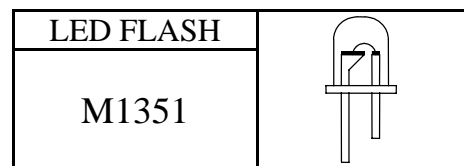




1 OR 2 KEY
ON/OFF & PAUSE
RGB LED IC

单键 OR 两键
ON/OFF, 暂停
三色灯 LED IC



FEATURES 功能叙述

- Built-in oscillator, adjustable oscillator frequency via external R,C.
- ON/OFF: ON/OFF trigger.
- PAUSE: Pause the color and brightness.
- TRIG: ON/OFF & PAUSE trigger, Push switch ≥ 2 sec power off.
- S1,S2: 4 section pattern select.
- OPT: " OPEN " = Sink output, " VSS " = Source output.
- DIP,SOP Package 16, 8 pin & 3 pin LED Lamp easy for use.

Section	Suffix	Function	S1	S2
1	M1351X-C1	1/2 Phase.	X	X
2	M1351X-C2	七彩主色变化	VDD	X
3	M1351X-C3	七彩变化	X	VDD
4	M1351X-C4	七彩交错渐明渐暗	VDD	VDD

* Suffix "X" = N \rightarrow Sink output

= P \rightarrow Source output

APPLICATION 产品应用

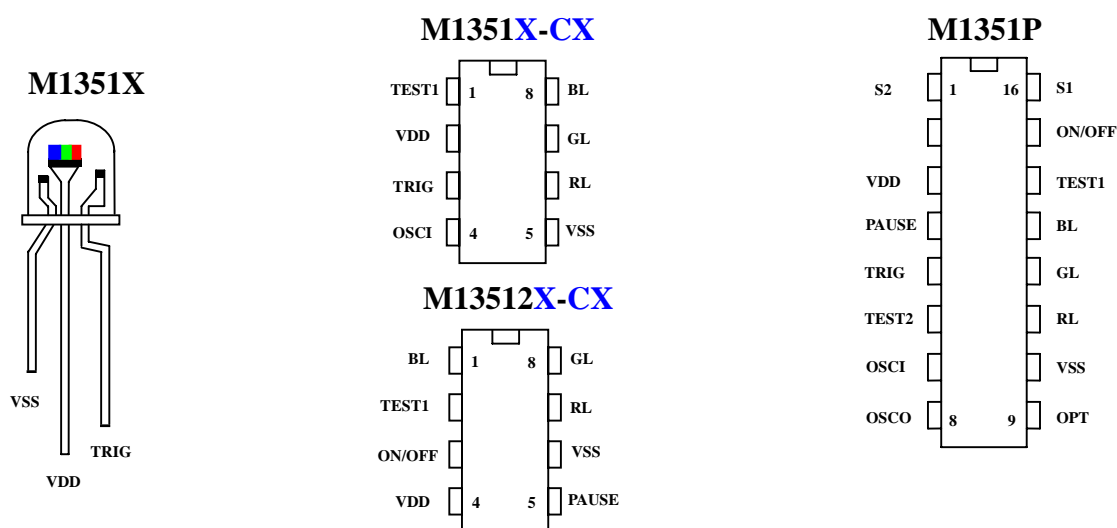
- Blinking LED, Function indicator, R.G.B Mix etc..

ELECTRICAL CHARACTERISTICS 电气规格

(@ $V_{DD}=4.5V$ unless otherwise specified)

Characteristics	Sym.	Min.	Typ.	Max.	Unit	REMARKS
工作电压 Operating Voltage	V_{DD}	3.6	4.5	5.0	V	
工作电流 Operating Current	I_{OP}	—	0.1	0.5	mA	No load
静态电流 Quiescent Current	I_{SB}	—	1	5	μA	
推动电流 Driving Current	I_{OL}	20	—	—	mA	@ $V_{DS} = 1.2 V$
振荡频率 Oscillator Frequency	F_{osc}	—	128	—	KHz	$\pm 30\%$ TOL.
工作温度 Operating Temperature	Temp.	-10	25	70	$^{\circ}C$	

APPLICATION DIAGRAM 参考电路图



Suffix X—N =Sink output , P= Source output

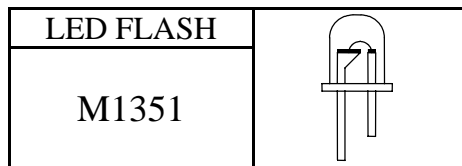
Suffix CX—C1=1/2 Phase , C2=七彩主色变化

C3=七彩变化, C4=七彩交错渐明渐暗

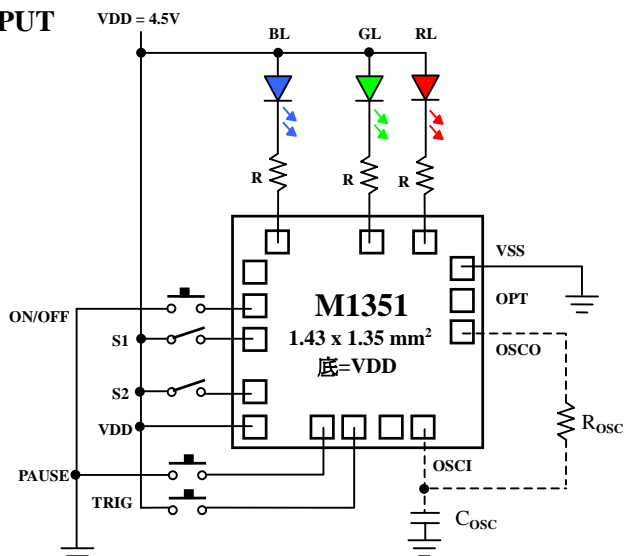


1 OR 2 KEY
ON/OFF & PAUSE
RGB LED IC

单键 OR 两键
ON/OFF, 暂停
三色灯 LED IC



(A) SINK OUTPUT

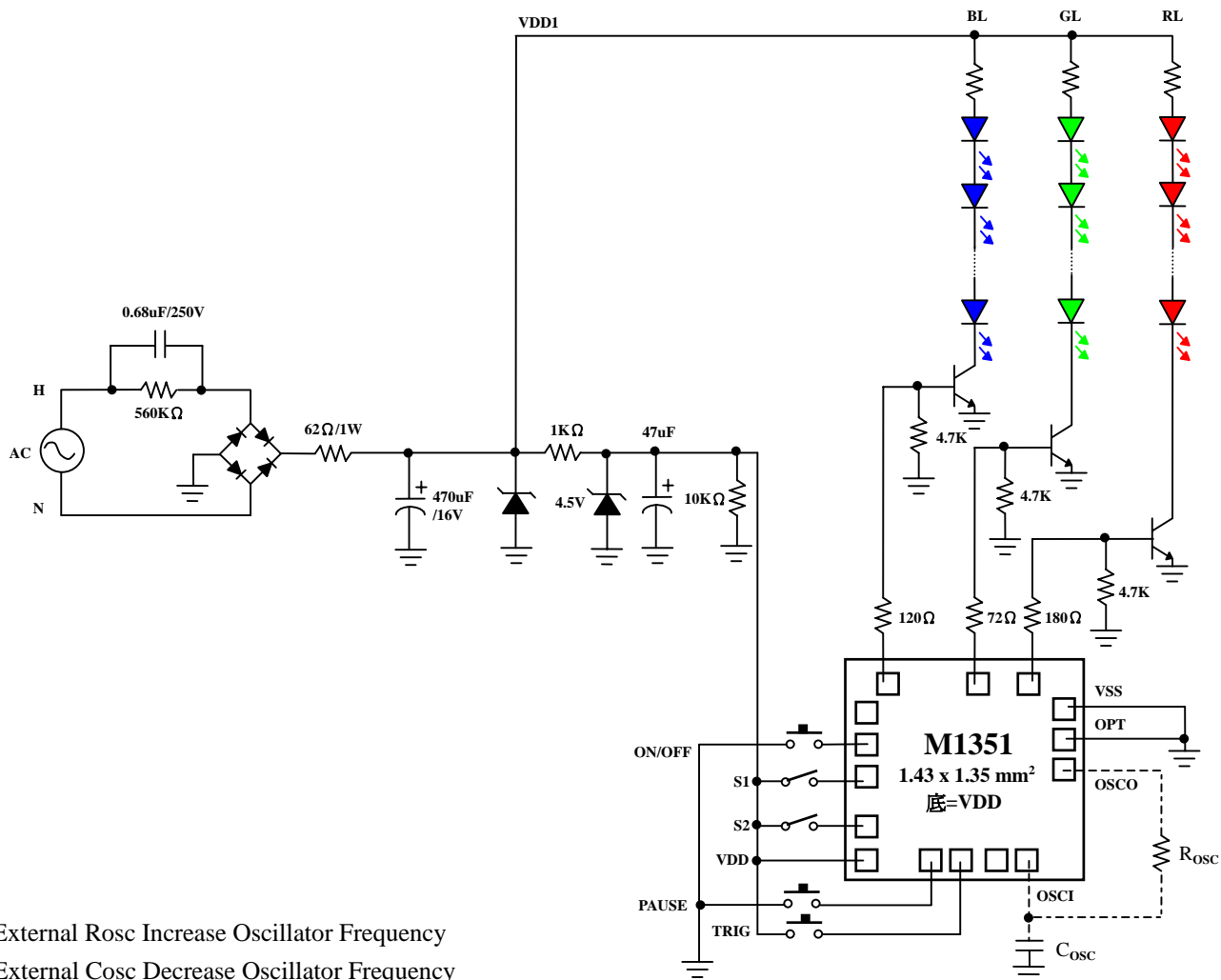


SECTION 1 R、C 调整表

@ VDD=4.5V			
R (KΩ)	TIME (Sec.)	C (pF)	TIME (Sec.)
20	3	1	28
47	6	82	42
68	8	180	49
120	10	330	53
240	14	500	57
470	20	680	62
910	25		

* Typical : 28.2 Sec. ± 20%

(B) SOURCE OUTPUT



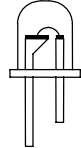
* External R_{osc} Increase Oscillator Frequency

* External C_{osc} Decrease Oscillator Frequency

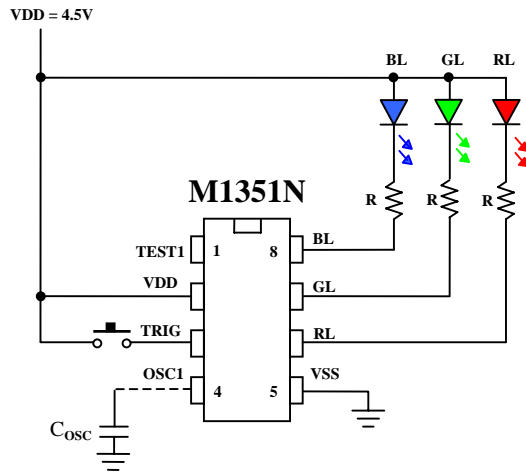


1 OR 2 KEY
ON/OFF & PAUSE
RGB LED IC

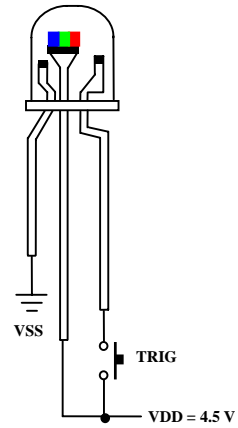
单键 OR 两键
ON/OFF, 暂停
三色灯 LED IC

LED FLASH	
M1351	

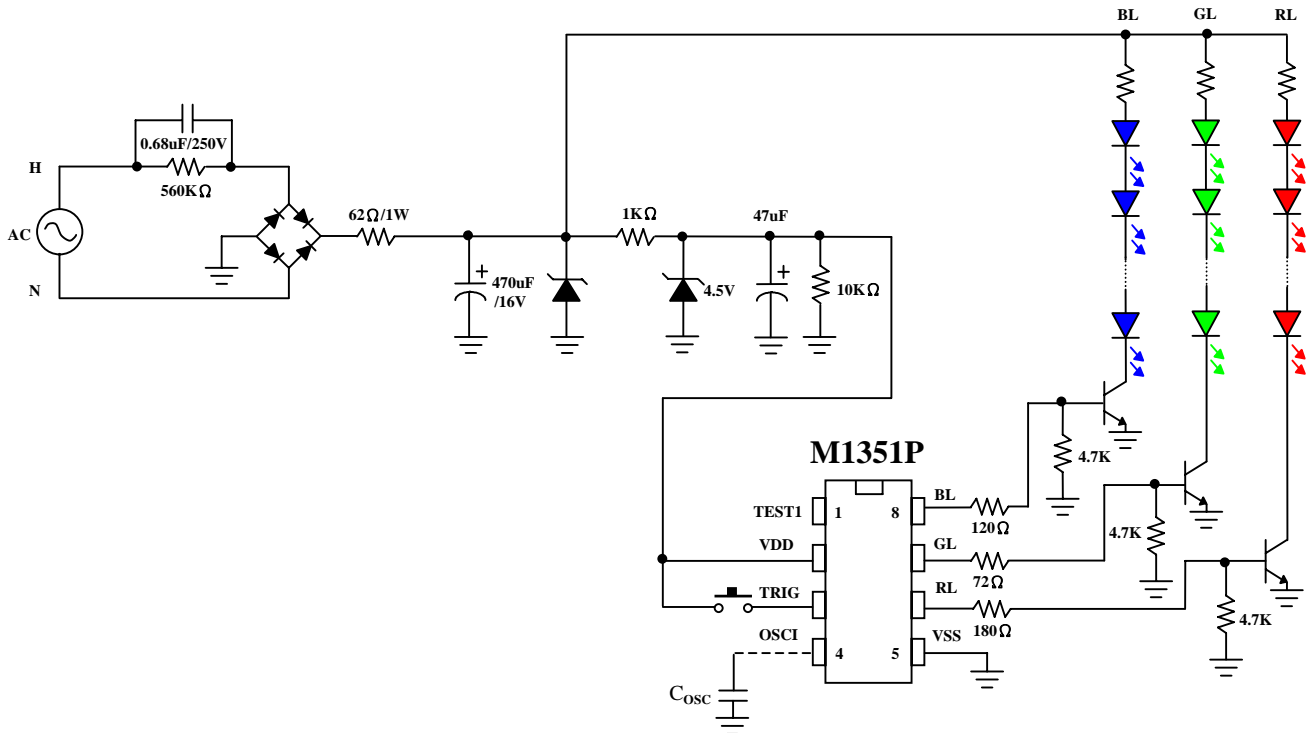
(C) SINK OUTPUT



M13511 ~ M13514



(D) SOURCE OUTPUT



* External Cosc Decrease Oscillator Frequency

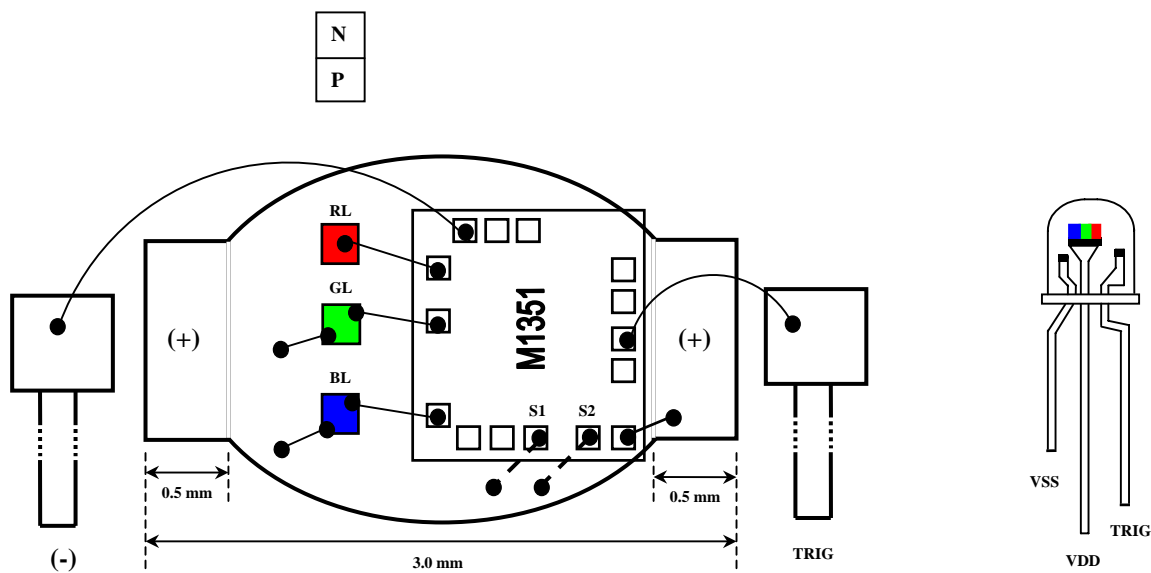


1 OR 2 KEY
ON/OFF & PAUSE
RGB LED IC

单键 OR 两键
ON/OFF, 暂停
三色灯 LED IC

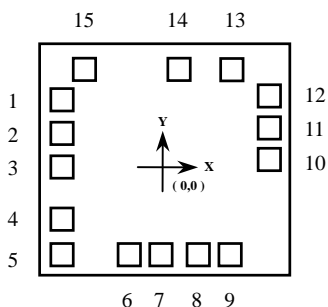
LED FLASH	
M1351	

3 PIN LED LAMP BONDING DIAGRAM



Sectio	LAMP--Suffix	S1	S2
1	M13511	X	X
2	M13512	VDD	X
3	M13513	X	VDD
4	M13514	VDD	VDD

PAD ASSIGNMENT & POSITION



UNIT : um

No.	NAME	X	Y
1	TEST1	-594.40	320.50
2	ON/OFF	-589.40	138.50
3	S1	-589.40	-49.60
4	S2	-589.40	-356.60
5	VDD	-589.40	-552.00
6	PAUSE	-199.00	-552.00
7	TRIG	-12.00	-552.00
8	TEST2	198.30	-552.00
9	OSCI	385.30	-552.00
10	OSCO	589.40	-1.20
11	OPT	594.40	168.50
12	VSS	589.40	343.50
13	RL	369.30	494.70
14	GL	73.10	494.70
15	BL	-481.70	494.70

* CHIP SIZE ~ 1.43 X 1.35 mm²

* IC substrate should be connected to VDD in PCB (PCB 上 IC 必须接 VDD)

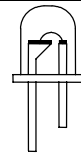


一華半導體股份有限公司
MOSDESIGN SEMICONDUCTOR CORP.

TAIPEI: TEL: 886-2- 22783733
FAX: 886-2- 22783633
H.K. : TEL: 852- 27569109
FAX: 852- 27566961

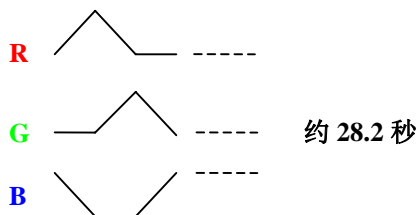
1 OR 2 KEY
ON/OFF & PAUSE
RGB LED IC

单键 OR 两键
ON/OFF, 暂停
三色灯 LED IC

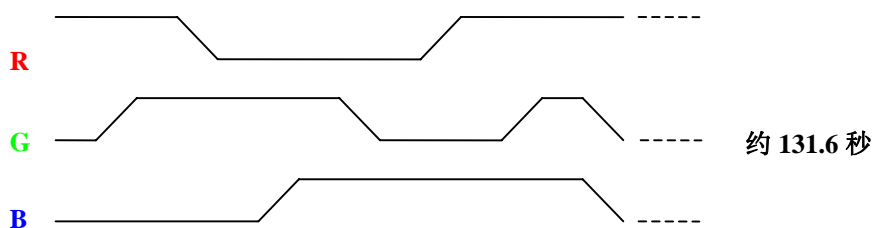
LED FLASH	
M1351	

PATTERN (变化示意图)

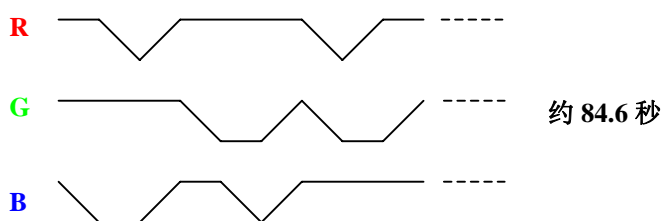
*** SECTION 1 : 1/2 PHASE**



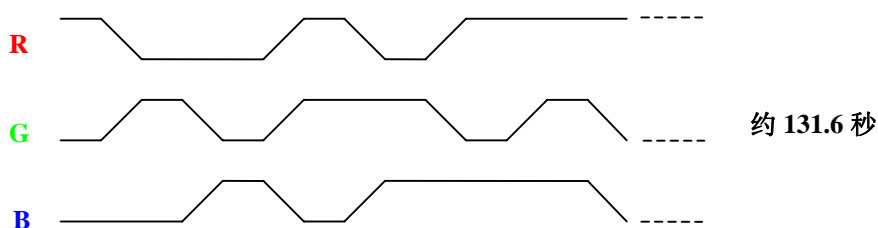
*** SECTION 2 : 七彩主色变化**



*** SECTION 3 : 七彩变化**



*** SECTION 4 : 七彩交错渐明渐暗**



*All specs and applications shown above subject to change without prior notice.

(以上电路及规格仅供参考,本公司得径行修正)