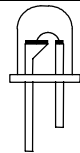




LED FLASH	
M1389	

L1→L2→L3

LED 閃爍 IC

FEATURES 功能敘述

- Built-in / Ext Rosc.
- Outputs : 1/16 times, 1~16 Hz.
- Duty cycle : 1/6.
- Trigger : by VDD or OSH switch.

P/N	"X"	Delay	OPTION		Out	Duty	Fosc(KHz)
			"VSS"	Delay			
M1389-4	3T	—	8T	—	8/3 Hz	1/6	70
M1389-6	8T	—	16T	—	10/3Hz	1/6	80

APPLICATION 產品應用

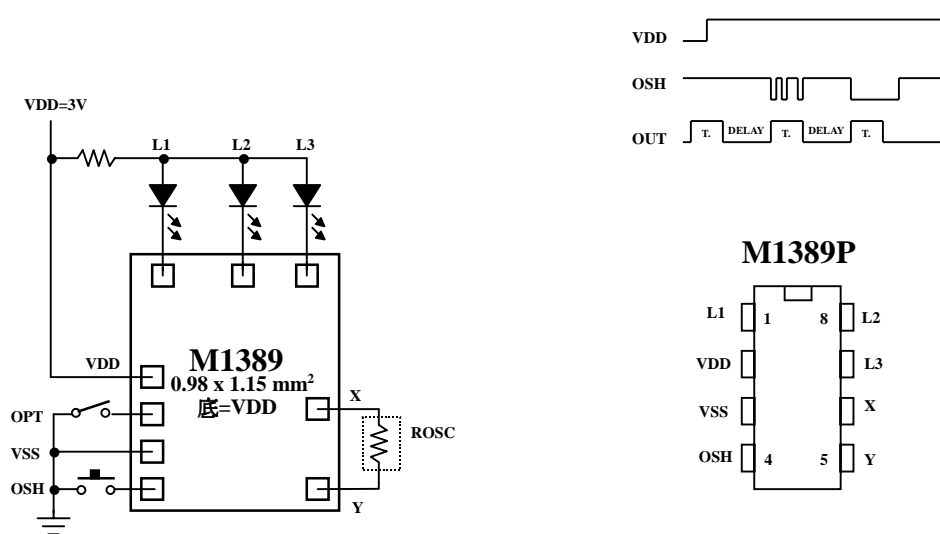
- Arcade game system, Toys.

ELECTRICAL CHARACTERISTICS 電氣規格

(@V_{DD}=3V unless otherwise specified)

Characteristics	Sym.	Min.	Typ.	Max.	Unit	REMARKS
工作電壓 Operating Voltage	V _{DD}	—	3	3.5	V	
工作電流 Operating Current	I _{OP}	—	0.1	0.5	mA	No load
靜態電流 Quiescent Current	I _{SB}	—	1	5	μA	
推動電流 Driving Current	I _{OL}	30	—	—	mA	@ V _{DS} =1.2V
工作溫度 Operating Temperature	Temp.	0	25	60	°C	

APPLICATION DIAGRAM 參考電路圖



*All specs and applications shown above subject to change without prior notice.
(以上電路及規格僅供參考,本公司得逕行修正)