



# Product Specification

M201EW02 VC

AU OPTRONICS CORPORATION



Gleichmann & Co. Electronics GmbH  
Product Marketing Displays & Systems  
Schraderstr. 44, D- 67227 Frankenthal  
Tel : +49 7249-910-0, Fax: +49 7249-910-559  
display@msc-ge.com http://www.msc-ge.com

( V ) Preliminary Specification

( ) Final Specification

<b>Module</b>	20.1”W WSXGA+ Color TFT-LCD
<b>Model Name</b>	M201EW02 VC

Customer	Date
_____	_____
<b>Approved by</b>	
_____	_____
Note: This Specification is subject to change without notice.	

Checked & Approved by	Date
<i>Vincent CH Chen</i>	2007/09/19
<b>Prepared by</b>	
<i>David HY Wang</i>	2007/09/19
Desktop Display Business Group / AU Optronics corporation	

## Contents

<b>1. Handling Precautions</b> .....	<b>4</b>
<b>2. General Description</b> .....	<b>5</b>
2.1 Display Characteristics .....	5
2.2 Optical Characteristics.....	6
<b>3. Functional Block Diagram</b> .....	<b>10</b>
<b>4. Absolute Maximum Ratings</b> .....	<b>11</b>
4.1 TFT LCD Module .....	11
4.2 Backlight Unit.....	11
4.3 Absolute Ratings of Environment .....	11
<b>5. Electrical characteristics</b> .....	<b>12</b>
5.1 TFT LCD Module .....	12
5.1.1 Power Specification.....	12
5.1.2 Signal Electrical Characteristics .....	13
5.2 Backlight Unit.....	14
<b>6. Signal Characteristic</b> .....	<b>15</b>
6.1 Pixel Format Image .....	15
6.2 The input data format .....	15
6.3 Signal Description.....	16
6.4 Timing Characteristics .....	17
6.4.1 Timing Characteristics.....	17
6.4.2Timing diagram .....	18
6.5 Power ON/OFF Sequence.....	19
<b>7. Connector &amp; Pin Assignment</b> .....	<b>20</b>
7.1 TFT LCD Module .....	20
7.1.1 Connector.....	20
7.1.2 Pin Assignment .....	20
7.2 Backlight Unit.....	21
7.2.1 Signal for Lamp connector .....	21
<b>8. Reliability</b> .....	<b>22</b>
<b>9 Shipping Label</b> .....	<b>23</b>
<b>10. Mechanical Characteristics</b> .....	<b>24</b>



Record of Revision

Version and Date	Page	Old description	New Description				Remark				
0.1 2007/05/29		First edition									
0.2 2007/07/16	6	Red x	0.629	0.659	0.689	Red x	0.628	0.658	0.688	Modify color coordinate	
		Red y	0.302	0.332	0.362	Red y	0.301	0.331	0.361		
		Green x	0.181	0.211	0.241	Green x	0.178	0.208	0.238		
		Green y	0.647	0.677	0.707	Green y	0.649	0.679	0.709		
		Blue x	0.117	0.147	0.177	Blue x	0.117	0.147	0.177		
		Blue y	0.031	0.061	0.091	Blue y	0.035	0.065	0.095		
		White x	0.283	0.313	0.343	White x	0.283	0.313	0.343		
		White y	0.299	0.329	0.359	White y	0.299	0.329	0.359		
	14	VICFL(min)= 1700 ViCF(min)=1300 VCFL(min, typ, max)=( <a href="#">666@7.5mA</a> , <a href="#">750@7.5mA</a> , <a href="#">814@7.5mA</a> ) PCFL (typ, max)= (22.2, --) CCFL life time : 50,000 ( min ) ,55,000 ( typ )				ViCFL(min)= 1560 ViCF(min)=1200 VCFL(min, typ, max) = ( <a href="#">739@8.0mA</a> , <a href="#">753@7.5mA</a> , <a href="#">885@3.5mA</a> ) PCFL (typ, max)= (22.6,23.7) CCFL life time : 40,000 ( min ) ,TBD				Modify CCFL parameter	
0.3 2007/08/07	21	Change 7.2 & 7.2.1 Back Light & lamp wire color									
0.4 2007/9/19	6	<b>Conditions</b>			<b>Min.</b>	<b>Typ.</b>	<b>Max.</b>	<b>Conditions</b>			Viewing angle
		Horizontal (Right)	70	80	-	Horizontal (Right+Left)	160	170	-		
		CR = 10 (Left)	70	80	-	CR = 10			-		
		Vertical (Up)	70	80	-	vertical (Up+down)	150	160	-		
		CR = 10 (Down)	70	80	-	CR = 10			-		
		Horizontal (Right)	75	85							
CR = 5 (Left)	75	85									
Vertical (Up)	75	85									
CR = 5 (Down)	75	85									

## 1. Handling Precautions

- 1) Since front polarizer is easily damaged, pay attention not to scratch it.
- 2) Be sure to turn off power supply when inserting or disconnecting from input connector.
- 3) Wipe off water drop immediately. Long contact with water may cause discoloration or spots.
- 4) When the panel surface is soiled, wipe it with absorbent cotton or other soft cloth.
- 5) Since the panel is made of glass, it may break or crack if dropped or bumped on hard surface.
- 6) Since CMOS LSI is used in this module, take care of static electricity and insure human earth when handling.
- 7) Do not open or modify the Module Assembly.
- 8) Do not press the reflector sheet at the back of the module to any directions.
- 9) In case if a Module has to be put back into the packing container slot after once it was taken out from the container, do not press the center of the CCFL reflector edge. Instead, press at the far ends of the CCFL Reflector edge softly. Otherwise the TFT Module may be damaged.
- 10) At the insertion or removal of the Signal Interface Connector, be sure not to rotate nor tilt the Interface Connector of the TFT Module.
- 11) After installation of the TFT Module into an enclosure, do not twist nor bend the TFT Module even momentary. At designing the enclosure, it should be taken into consideration that no bending/twisting forces are applied to the TFT Module from outside. Otherwise the TFT Module may be damaged.
- 12) Cold cathode fluorescent lamp in LCD contains a small amount of mercury. Please follow local ordinances or regulations for disposal.
- 13) Small amount of materials having no flammability grade is used in the LCD module. The LCD module should be supplied by power complied with requirements of Limited Power Source (IEC60950 or UL1950), or be applied exemption.
- 14) The LCD module is designed so that the CCFL in it is supplied by Limited Current Circuit (IEC60950 or UL1950). Do not connect the CCFL in Hazardous Voltage Circuit.

## 2. General Description

This specification applies to the 20.1 inch-wide Color TFT-LCD Module M201EW02 v.C.

The display supports the WSXGA+ (1680(H) x 1050(V)) screen format and 16.7M colors (RGB 6-bits+Hi-RFC data).

All input signals are 2 Channel LVDS interface compatible.

This module does not contain an inverter card for backlight.

### 2.1 Display Characteristics

The following items are characteristics summary on the table under 25 °C condition:

ITEMS	Unit	SPECIFICATIONS
Screen Diagonal	[mm]	511.13 (20.1" Wide)
Active Area	[mm]	433.44 (H) x 270.90(V)
Pixels H x V		1680(x3) x 1050
Pixel Pitch	[mm]	0.258 (per one triad) x 0.258
Pixel Arrangement		R.G.B. Vertical Stripe
Display Mode		Normally White
White Luminance ( Center )	[cd/m <sup>2</sup> ]	300cd/m <sup>2</sup> @ 7.5mA (Typ)
Contrast Ratio		1000:1
Optical Response Time	[msec]	5 (Typ, on/off)
Nominal Input Voltage VCC	[Volt]	+5.0 V
Power Consumption (VCC line + CCFL line)	[Watt]	27.7
Weight	[Grams]	2010 (Typ)
Physical Size	[mm]	459.4(W) x 296.4(H) x 16.6(D) (Typ)
Electrical Interface		Dual Channel LVDS
Support Color		16.7M colors (RGB 6-bits+Hi-FRC data )
Temperature Range		
Operating	[°C]	0 to +50
Storage (Shipping)	[°C]	-20 to +60
Surface Treatment		Hard-coating (3H), Anti-Glare treatment
RoHS		RoHS compliance

## 2.2 Optical Characteristics

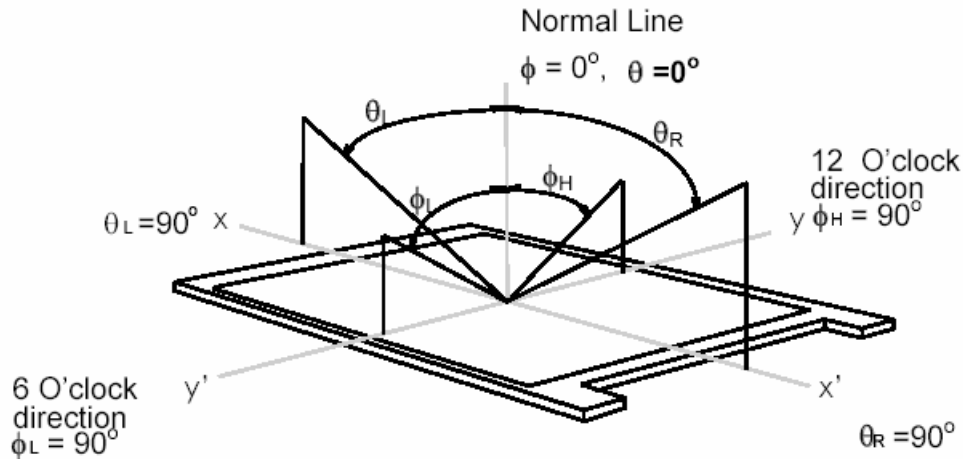
The optical characteristics are measured under stable conditions at 25°C :

Item	Unit	Conditions	Min.	Typ.	Max.	Note
Viewing Angle	[degree]	Horizontal (Right+left) CR = 10	160	170	-	1
	[degree]					
Viewing Angle	[degree]	vertical (Up+down) CR = 10	150	160	-	1
	[degree]					
Luminance Uniformity	[%]		75	80	-	2,3
Response Time	[msec]	Rising Time	-	3.6	5.7	4,6
	[msec]	Falling Time	-	1.4	2.3	
	[msec]	Rising + Falling	-	5.0	8.0	
Color / Chromaticity Coordinates (CIE 1931)		Red x	0.628	0.658	0.688	4
		Red y	0.301	0.331	0.361	
		Green x	0.178	0.208	0.238	
		Green y	0.649	0.679	0.709	
		Blue x	0.117	0.147	0.177	
		Blue y	0.035	0.065	0.095	
		White x	0.283	0.313	0.343	
	White y	0.299	0.329	0.359		
White Luminance at CCFL 7.5mA (central point)	[cd/m <sup>2</sup> ]		240	300	-	4
Contrast ratio		Normal Direction	600	1000	-	4
Crosstalk (in75Hz)	[%]				1.5	5
Flicker	[dB]				-20	7

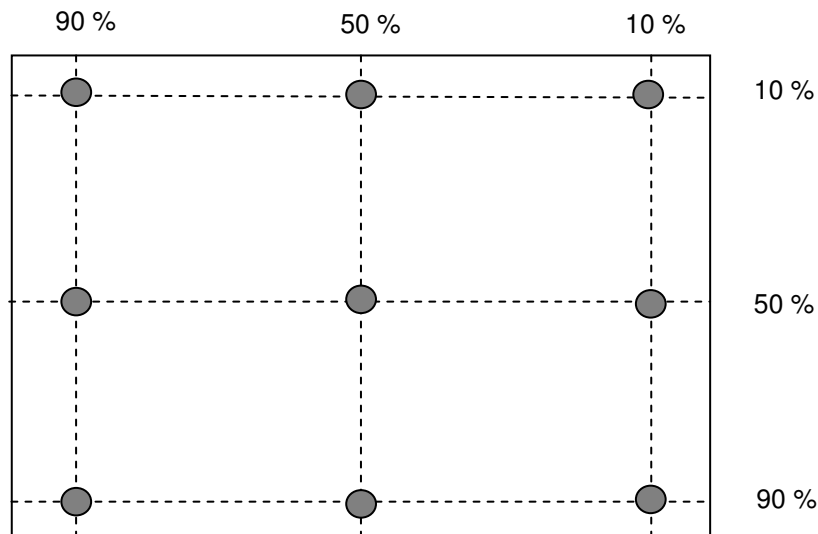
Optical Equipment: BM-5A, BM-7, PR880, or equivalent

Note 1: Definition of viewing angle measured by EZContrast 88 (manufactured by ELDIM)

Viewing angle is the measurement of contrast ratio  $\geq 10$  or 5, at the screen center, over a 180° horizontal and 180° vertical range (off-normal viewing angles). The 180° viewing angle range is broken down as follows; 90° ( $\theta$ ) horizontal left and right and 90° ( $\Phi$ ) vertical, high (up) and low (down). The measurement direction is typically perpendicular to the display surface with the screen rotated about its center to develop the desired measurement viewing angle.



Note 2: 9 points position

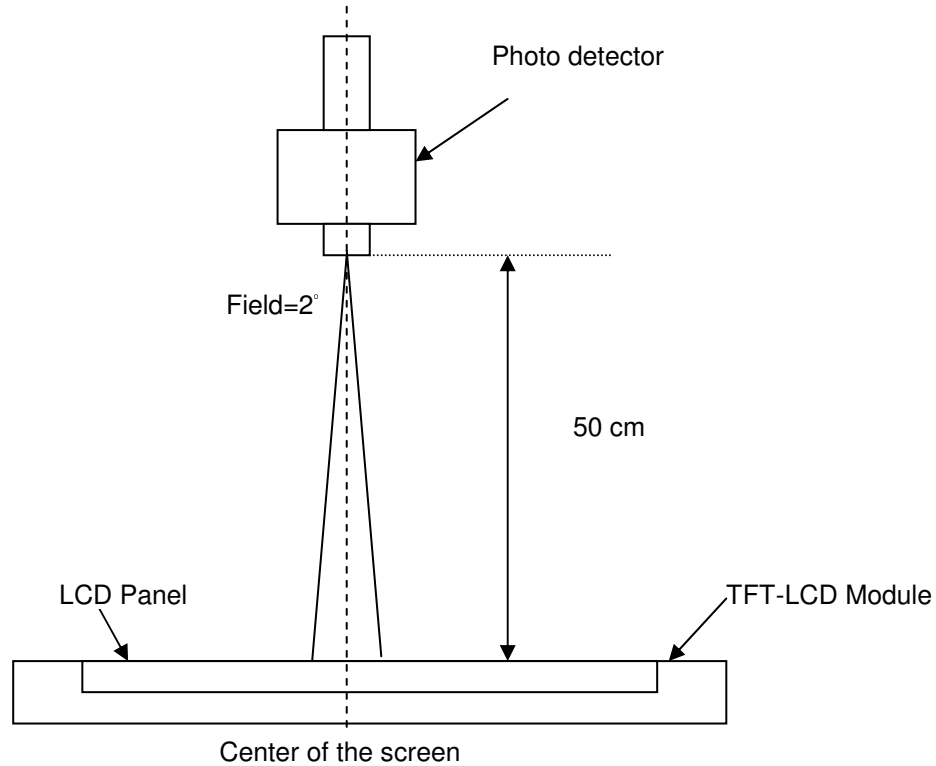


Note 3: The luminance uniformity of 9 points is defined by dividing the maximum luminance values by the minimum test point luminance

$$\delta_{w9} = \frac{\text{Minimum Luminance of 9 points}}{\text{Maximum Luminance of 9 points}}$$

**Note 4: Measurement method**

The LCD module should be stabilized at given temperature for 30 minutes to avoid abrupt temperature change during measuring. In order to stabilize the luminance, the measurement should be executed after lighting Backlight for 30 minutes in a stable, windless and dark room.



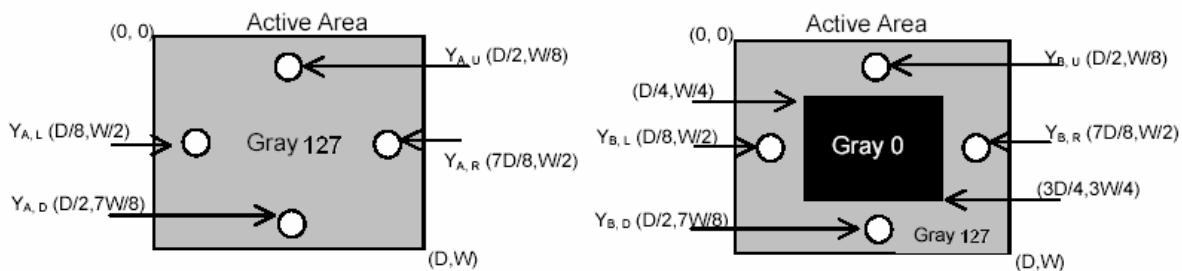
**Note 5: Definition of Cross Talk (CT)**

$$CT = | YB - YA | / YA \times 100 (\%)$$

**Where**

YA = Luminance of measured location without gray level 0 pattern (cd/m<sup>2</sup>)

YB = Luminance of measured location with gray level 0 pattern (cd/m<sup>2</sup>)

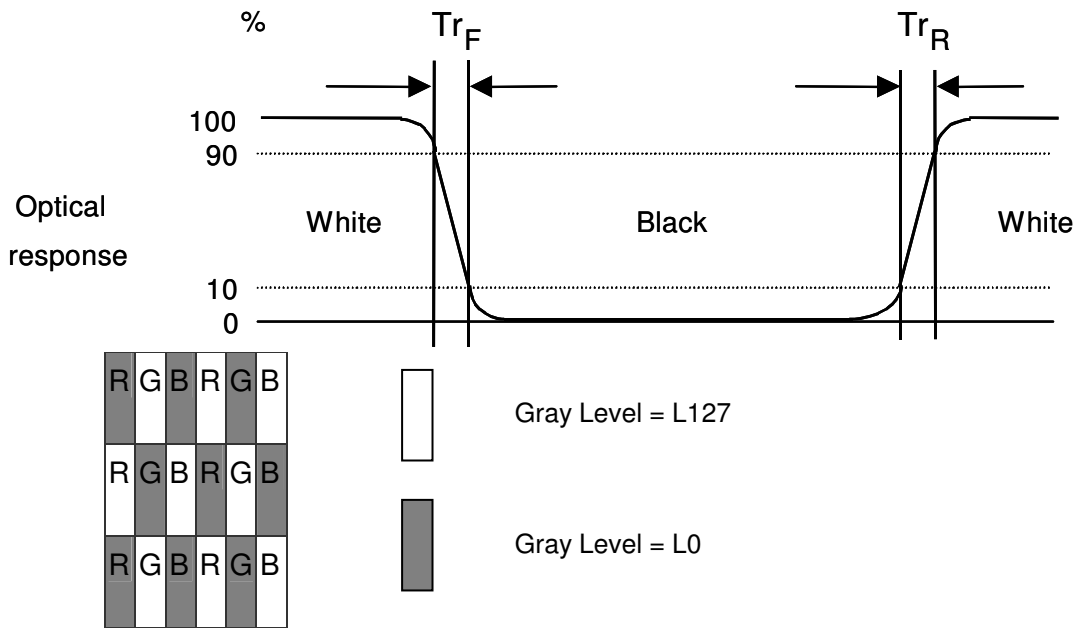




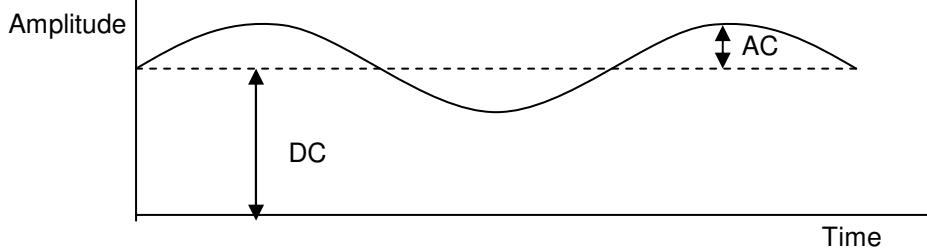
**Note 6: Definition of response time:**

The output signals of photo detector are measured when the input signals are changed from “Full Black” to “Full White” (rising time), and from “Full White” to “Full Black ”(falling time), respectively. The response time is interval between the 10% and 90% of amplitudes. Please refer to the figure as below.

**Note 7: Subchecker Pattern**



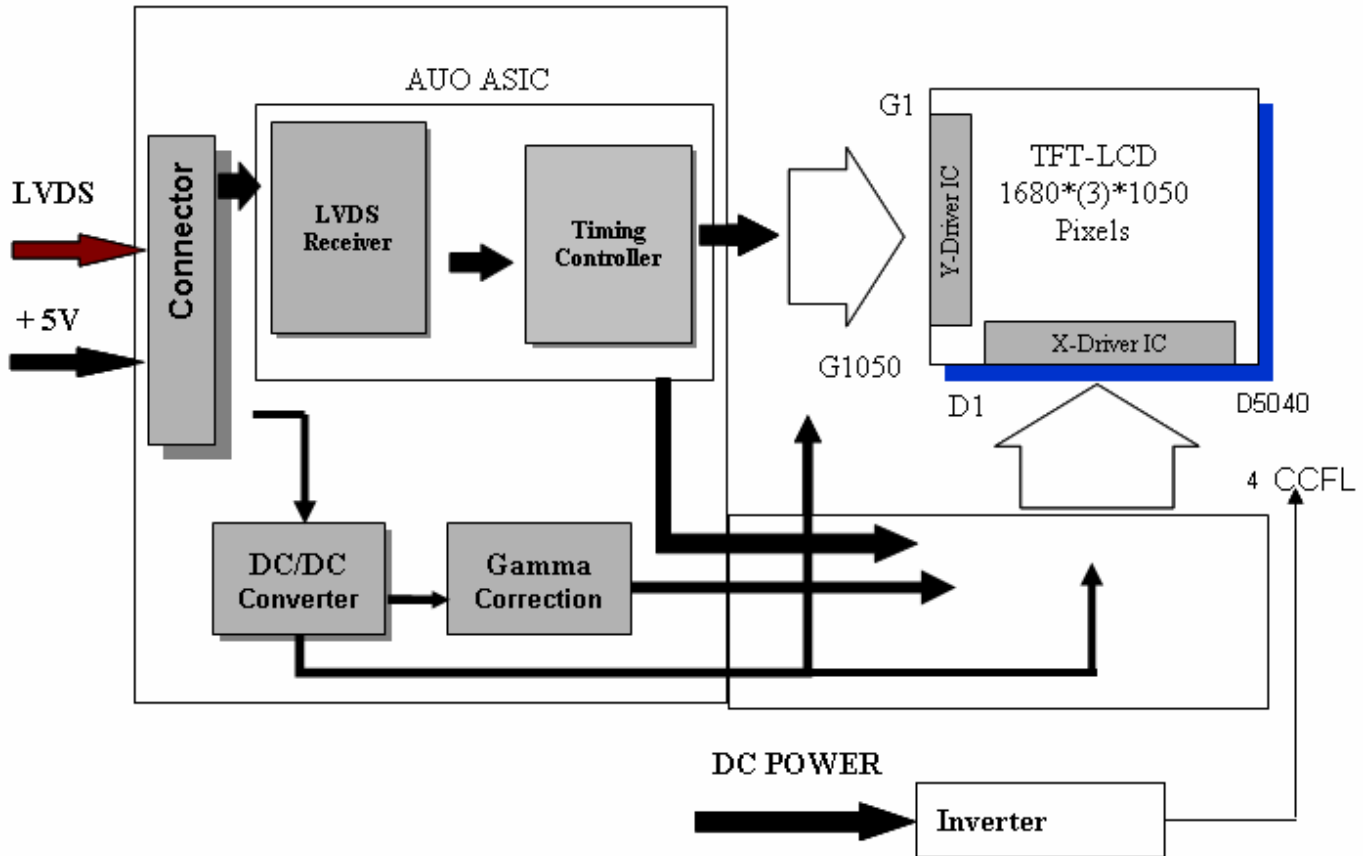
Method: Record dBV & DC value with (WESTAR)TRD-100



$$\text{Flicker (dB)} = 20 \log \frac{\text{AC Level(at 30 Hz)}}{\text{DC Level}}$$

## 3. Functional Block Diagram

The following diagram shows the functional block of the 20.1 inches wide Color TFT/LCD Module:



## 4. Absolute Maximum Ratings

Absolute maximum ratings of the module is as following:

### 4.1 TFT LCD Module

Item	Symbol	Min	Max	Unit	Conditions
Logic/LCD Drive Voltage	VIN	-0.3	6	[Volt]	<b>Note 1,2</b>

### 4.2 Backlight Unit

Item	Symbol	Min	Max	Unit	Conditions
CCFL Current	ICFL	-	8	[mA] rms	<b>Note 1,2</b>

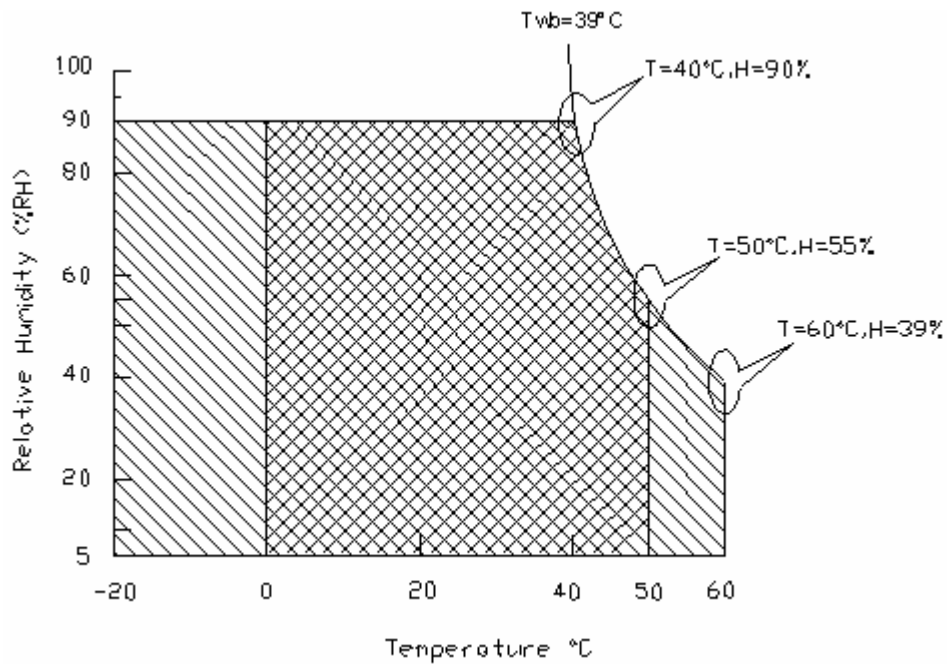
### 4.3 Absolute Ratings of Environment

Item	Symbol	Min	Max	Unit	Conditions
Operating Humidity	HOP	5	90	[%RH]	<b>Note 3</b>
Storage Temperature	TST	-20	+60	[°C]	
Storage Humidity	HST	5	90	[%RH]	

**Note 1:** With in Ta (25°C )

**Note 2:** Permanent damage to the device may occur if exceed maximum values

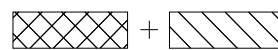
**Note 3:** For quality performance, please refer to AUO IIS (Incoming Inspection Standard).



Operating Range



Storage Range



## 5. Electrical characteristics

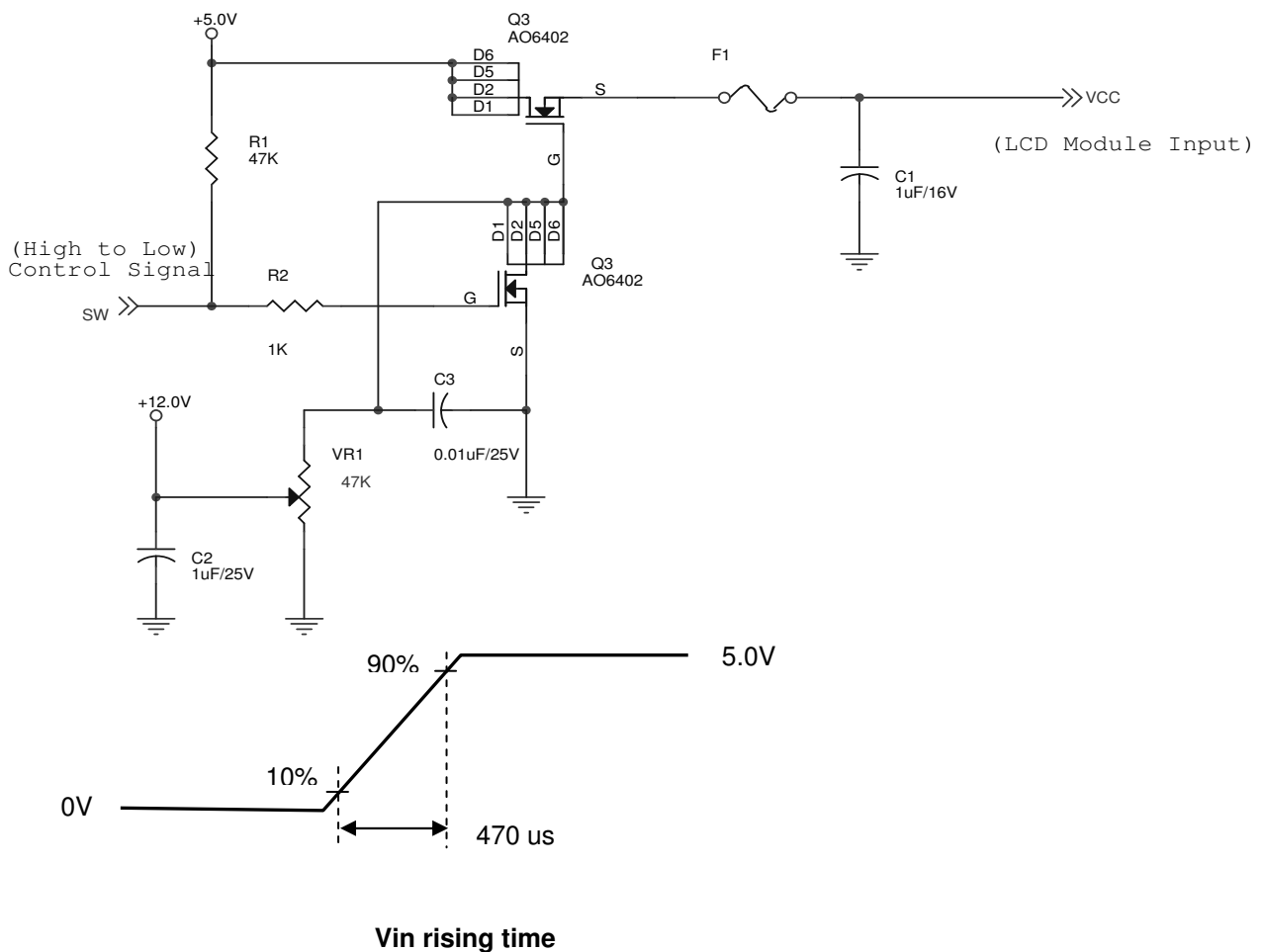
### 5.1 TFT LCD Module

#### 5.1.1 Power Specification

Input power specifications are as follows;

Symbol	Parameter	Min	Typ	Max	Units	Condition
VCC	Logic/LCD Drive Voltage	4.5	5	5.5	[Volt]	± 10%
ICC	VCC current	-	1.1	1.5	[A]	Vin=5V , All Black Pattern, at 60Hz
Irush	LCD Inrush Current	-	-	3	[A]	<b>Note</b>
PCC	VCC Power	-	5.5	7.5	[Watt]	Vin=5V , All Black Pattern, at 60Hz

**Note:** Measurement conditions:



## 5.1.2 Signal Electrical Characteristics

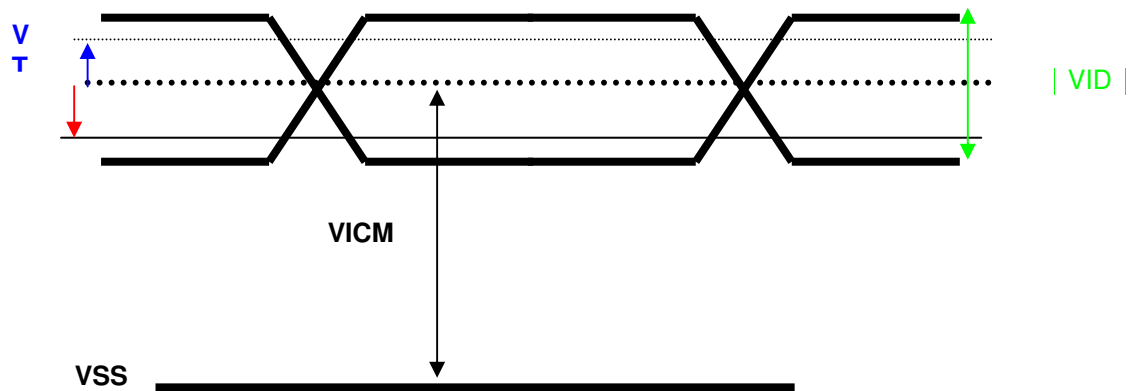
Input signals shall be low or Hi-Z state when Vin is off

It is recommended to refer the specifications of SN75LVDS82DGG (Texas Instruments) in detail.

Each signal characteristics are as follows;

Symbol	Parameter	Min	Typ	Max	Units	Condition
VTH	Differential Input High Threshold	-	-	+100	[mV]	VICM = 1.2V <b>Note</b>
VTL	Differential Input Low Threshold	-100	-	-	[mV]	VICM = 1.2V <b>Note</b>
VID	Input Differential Voltage	100	400	600	[mV]	<b>Note</b>
VICM	Differential Input Common Mode Voltage	+1.0	+1.2	+1.5	[V]	VTH/VTL = ±100mV <b>Note</b>

**Note:** LVDS Signal Waveform



## 5.2 Backlight Unit

Parameter guideline for CCFL Inverter

Symbol	Parameter	Min.	Typ.	Max.	Unit	Condition
ISCFL	CCFL standard current	7	7.5	8	[mA] rms	(Ta=25°C) <b>Note 2</b>
IRCFL	CCFL operation range	3	7.5	8	[mA] rms	(Ta=25°C) <b>Note 2</b>
FCFL	CCFL Frequency	40	55	60	[KHz]	(Ta=25°C) <b>Note 3,4</b>
ViCFL (0°C)	CCFL Ignition Voltage (End of the lamp wire connector)	1560	-		[Volt] rms	(Ta=0°C) <b>Note 5</b>
ViCF (25°C)	CCFL Ignition Voltage (End of the lamp wire connector)	1200	-		[Volt] rms	(Ta=25°C) <b>Note 5</b>
VCFL	CCFL Operation Voltage	739 @8.0mA	753 @7.5mA	885 @3.0mA	[Volt] rms	(Ta=25°C) <b>Note 6</b>
PCFL	CCFL Power consumption (for reference)	-	22.6	23.7	[Watt]	(Ta=25°C) <b>Note 6</b>
LTCFL	CCFL life Time	40,000	TBD	-	[Hour]	(Ta=25°C) <b>Note 7</b>

Note 1: Typ. are AUO recommended design points.

- \*1 All of characteristics listed are measured under the condition using the AUO test inverter.
- \*2 In case of using an inverter other than listed, it is recommended to check the inverter carefully. Sometimes, interfering noise stripes appear on the screen, and substandard luminance or flicker at low power may happen.
- \*3 In designing an inverter, it is suggested to check safety circuit very carefully. Impedance of CCFL, for instance, becomes more than 1 [M ohm] when CCFL is damaged.
- \*4 Generally, CCFL has some amount of delay time after applying kick-off voltage. It is recommended to keep on applying kick-off voltage for 1 [Sec] until discharge.
- \*5 Reducing CCFL current increases CCFL discharge voltage and generally increases CCFL discharge frequency. So all the parameters of an inverter should be carefully designed so as not to produce too much leakage current from high-voltage output of the inverter.

Note 2: It should be employed the inverter which has “Duty Dimming”, if IRCFL is less than 4mA.

Note 3: CCFL discharge frequency should be carefully determined to avoid interference between inverter and TFT LCD.

Note 4: The frequency range will not affect to lamp life and reliability characteristics.

Note 5: CCFL inverter should be able to give out a power that has a generating capacity of over 1,500 voltage. Lamp units need 1,500 voltage minimum for ignition.

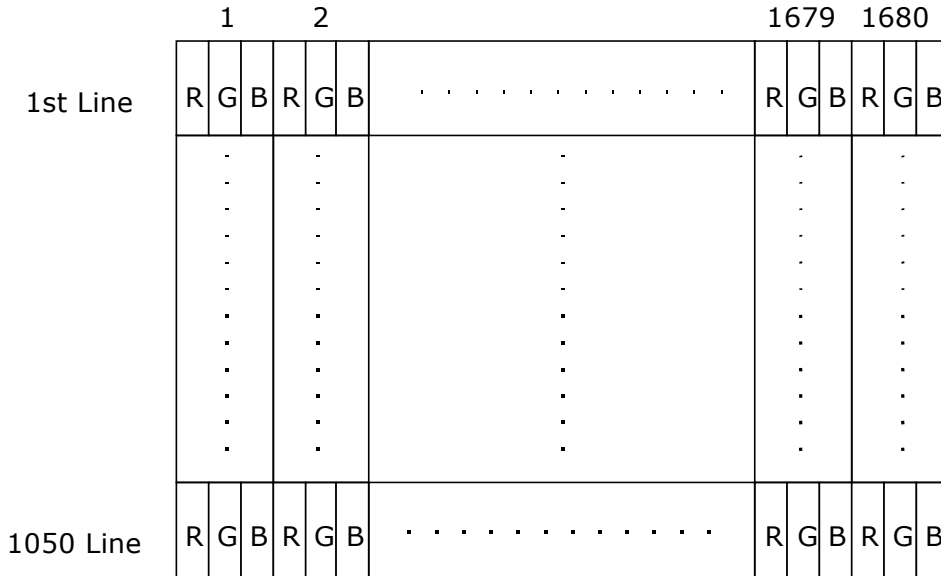
Note 6: The variance of CCFL power consumption is  $\pm 10\%$ . Calculator value for reference (ISCFL  $\times$  VCFL  $\times$  4 = PCFL)

Note 7: Definition of Life time: Brightness becomes 50%. The typical life time CCFL in on the condition at 7.5 mA lamp current.

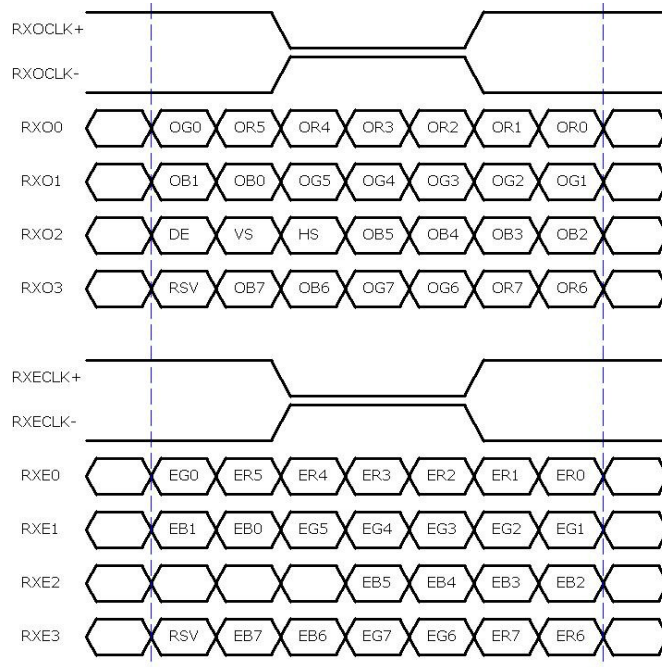
## 6. Signal Characteristic

### 6.1 Pixel Format Image

Following figure shows the relationship of the input signals and LCD pixel format.



### 6.2 The input data format



**Note 1:** R/G/B data 7:MSB, R/G/B data 0:LSB

O = "First Pixel Data"

E = "Second Pixel Data"

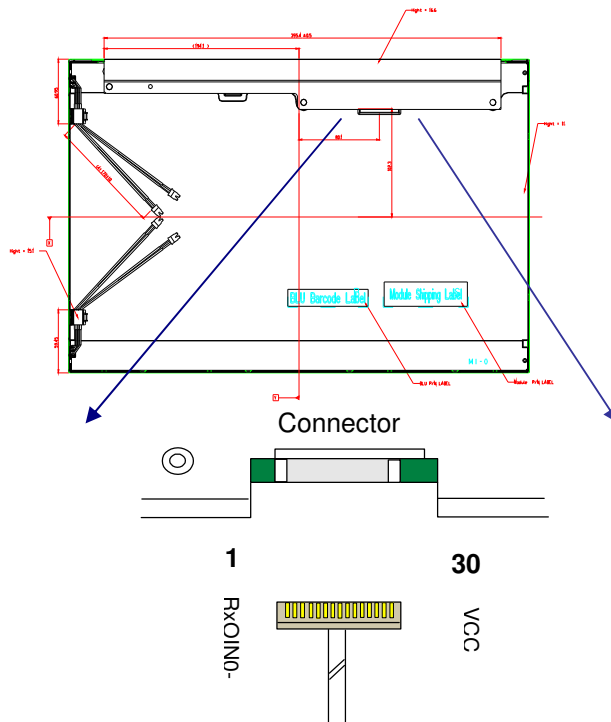
## 6.3 Signal Description

The module using one LVDS receiver SN75LVDS82(Texas Instruments) or compatible. LVDS is a differential signal technology for LCD interface and high speed data transfer device. Transmitter shall be SN75LVDS83(negative edge sampling) or compatible. The first LVDS port(RxOxxx) transmits odd pixels while the second LVDS port(RxExxx) transmits even pixels.

PIN #	SIGNAL NAME	DESCRIPTION
1	RxO0-	Negative LVDS differential data input (Odd data)
2	RxO0+	Positive LVDS differential data input (Odd data)
3	RxO1-	Negative LVDS differential data input (Odd data)
4	RxO1+	Positive LVDS differential data input (Odd data)
5	RxO2-	Negative LVDS differential data input (Odd data, H-Sync,V-Sync,DSPTMG)
6	RxO2+	Positive LVDS differential data input (Odd data, H-Sync,V-Sync,DSPTMG)
7	GND	Power Ground
8	RxOC-	Negative LVDS differential clock input (Odd clock)
9	RxOC+	Positive LVDS differential clock input (Odd clock)
10	RxO3-	Negative LVDS differential data input (Odd data)
11	RxO3+	Positive LVDS differential data input (Odd data)
12	RxE0-	Negative LVDS differential data input (Even clock)
13	RxE0+	Positive LVDS differential data input (Even data)
14	GND	Power Ground
15	RxE1-	Positive LVDS differential data input (Even data)
16	RxE1+	Negative LVDS differential data input (Even data)
17	GND	Power Ground
18	RxE2-	Negative LVDS differential data input (Even data)
19	RxE2+	Positive LVDS differential data input (Even data)
20	RxEC-	Negative LVDS differential clock input (Even clock)
21	RxEC+	Positive LVDS differential clock input (Even clock)
22	RxE3-	Negative LVDS differential data input (Even data)
23	RxE3+	Positive LVDS differential data input (Even data)
24	GND	Power Ground
25	GND	Power Ground
26	NC	No contact (For AUO test only)
27	GND	Power Ground
28	VCC	+5.0V Power Supply
29	VCC	+5.0V Power Supply
30	VCC	+5.0V Power Supply



**Note1: Start from left side**



**Note2:** Input signals of odd and even clock shall be the same timing.

## 6.4 Timing Characteristics

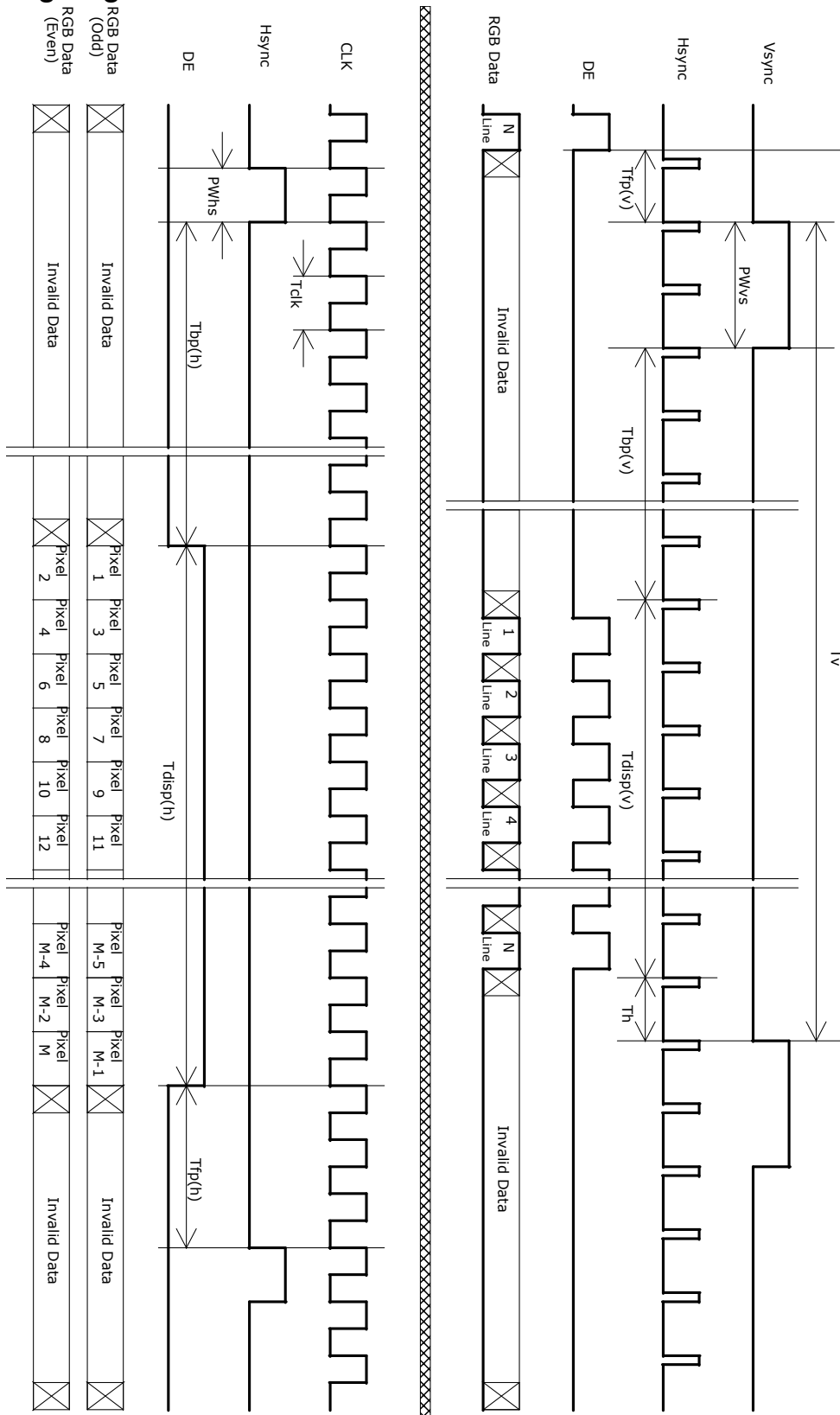
### 6.4.1 Timing Characteristics

Basically, interface timings described here is not actual input timing of LCD module but output timing of SN75LVDS82DGG (Texas Instruments) or equivalent.

Signal	Item	Symbol	Min	Typ	Max	Unit
Vertical Section	Period	$T_v$	1060	1066	2048	Th
	Active	$T_{disp(v)}$	1050	1050	1050	Th
	Blanking	$T_{bp(v)}+T_{fp(v)}+PW_{vs}$	10	16	998	Th
Horizontal Section	Period	$T_h$	890	1128	2048	Tclk
	Active	$T_{disp(h)}$	840	840	840	Tclk
	Blanking	$T_{bp(h)}+T_{fp(h)}+PW_{hs}$	50	288	1208	Tclk
Clock	Period	Tclk	12.5	13.86	21.19	ns
	Frequency	Freq	47.17	72.1	80	MHz
Frame rate	Frame rate	F	50	60	75	Hz

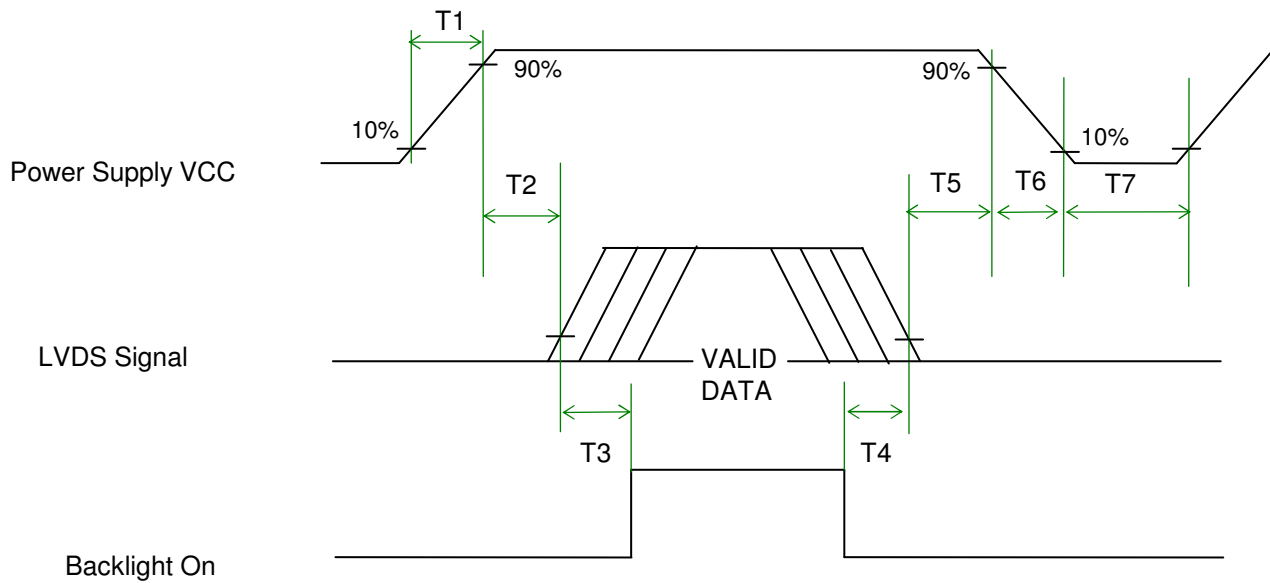
**Note :** DE mode only

## 6.4.2 Timing diagram



## 6.5 Power ON/OFF Sequence

Vin power and lamp on/off sequence is as follows. Interface signals are also shown in the chart. Signals from any system shall be Hi-Z state or low level when Vin is off.



Symbol	Values			Unit
	Min	Typ	Max	
T1	0.5	-	10	[ms]
T2	0.5	40	50	[ms]
T3	300	-	-	[ms]
T4	300	-	-	[ms]
T5	0.5	16	50	[ms]
T6	-	-	10	[ms]
T7	1000	-	-	[ms]

## 7. Connector & Pin Assignment

Physical interface is described as for the connector on module.

These connectors are capable of accommodating the following signals and will be following components.

### 7.1 TFT LCD Module

#### 7.1.1 Connector

<b>Connector Name / Designation</b>	Interface Connector / Interface card
<b>Manufacturer</b>	JAE or compatible
<b>Type Part Number</b>	FI-XB30SSRL-HF16
<b>Mating Housing Part Number</b>	FI-X30S-H

#### 7.1.2 Pin Assignment

Pin#	Signal Name	Pin#	Signal Name
1	RxO0-	2	RxO0+
3	RxO1-	4	RxO1+
5	RxO2-	6	RxO2+
7	GND	8	RxOC-
9	RxOC+	10	RxO3-
11	RxO3+	12	RxE0-
13	RxE0+	14	GND
15	RxE1-	16	RxE1+
17	GND	18	RxE2-
19	RxE2+	20	RxEC-
21	RxEC+	22	RxE3-
23	RxE3+	24	GND
25	GND	26	NC
27	GND	28	VCC
29	VCC	30	VCC

## 7.2 Backlight Unit

<b>Connector Name / Designation</b>	Lamp Connector / Backlight lamp
<b>Manufacturer</b>	YEONHO or compatible
<b>Type Part Number</b>	35001HS-02L (CN3/CN4, CN2/CN5 )
<b>Mating Type Part Number</b>	35001WR-02L or SM02B-BHSS-1-TB (2pin)

### 7.2.1 Signal for Lamp connector

	Connector No.	Pin No.	Color	Function
Upper	CN2	1	Sky Blue	High Voltage (Lamp 1)
		2	Dark Blue	Low Voltage (Lamp 1)
	CN3	1	Pink	High Voltage (Lamp 2)
		2	Black	Low Voltage (Lamp 2)
Upper	CN4	1	Sky Blue	High Voltage (Lamp 3)
		2	Dark Blue	Low Voltage (Lamp 3)
	CN5	1	Pink	High Voltage (Lamp 4)
		2	Black	Low Voltage (Lamp 4)

## 8. Reliability

Reliability test condition

Items	Required Condition	Note
Temperature Humidity Bias (THB)	Ta= 50°C , 80%RH, 300hours	
High Temperature Operation (HTO)	Ta= 50°C , 300hours	
Low Temperature Operation (LTO)	Ta= 0°C , 300hours	
High Temperature Storage (HTS)	Ta= 60°C , 300hours	
Low Temperature Storage (LTS)	Ta= -20°C , 300hours	
Vibration Test (Non-operation)	Acceleration: 1.5 G Wave: Random Frequency: 10 - 200 - 10 Hz Sweep: 30 Minutes each Axis (X, Y, Z)	
Shock Test (Non-operation)	Acceleration: 50 G Wave: Half-sine Active Time: 20 ms Direction: ±X, ±Y, ±Z (one time for each Axis)	
Drop Test	Height: 60 cm, package test	
Thermal Shock Test (TST)	-20°C/30min, 60°C/30min, 100 cycles	1
On/Off Test	On/10sec, Off/10sec, 30,000 cycles	
ESD (ElectroStatic Discharge)	Contact Discharge: ± 8KV, 150pF(330Ω ) 1sec, 8 points, 25 times/ point.	2
	Air Discharge: ± 15KV, 150pF(330Ω ) 1sec, 8 points, 25 times/ point.	
Altitude Test	Operation:10,000 ft	
MTBF	<p>1. Test Criteria</p> <p>(a)MTBF Demonstration time: 50,000 hours</p> <p>(b)Confidence Level: 70%</p> <p>(c)Sample quantity: more than 10 units</p> <p>(d)Demonstration time: less than 300 and no more than 1,000 hours/unit. (Recommend value is 600 hours/unit.)</p> <p>(e)Temperature/Humidity: 40 °C - 70 °C / humidity should be ranged from. 25% -85% RH</p> <p>2. To demonstrate MTBF growth to 200,000 hours with 90% confidence level following product introduction ORT:</p> <p>Test parameters: <math>\theta_0 = 200,000</math> <math>\alpha = 0.10</math> <math>d = \theta_0/\theta_1 = 2.0</math></p> <p><math>\theta_1 = 100,000</math> <math>\beta = 0.10</math></p> <p>Test plan: Sequential test Plan IIIC from Reference 1 (MIL-STD-781C)</p>	

Note 1: The TFT-LCD module will not sustain damage after being subjected to 100 cycles of rapid temperature change. A cycle of rapid temperature change consists of varying the temperature from -20°C to 60°C, and back again. Power is not applied during the test. After temperature cycling, the unit is placed in normal room ambient for at least 4 hours before power on.

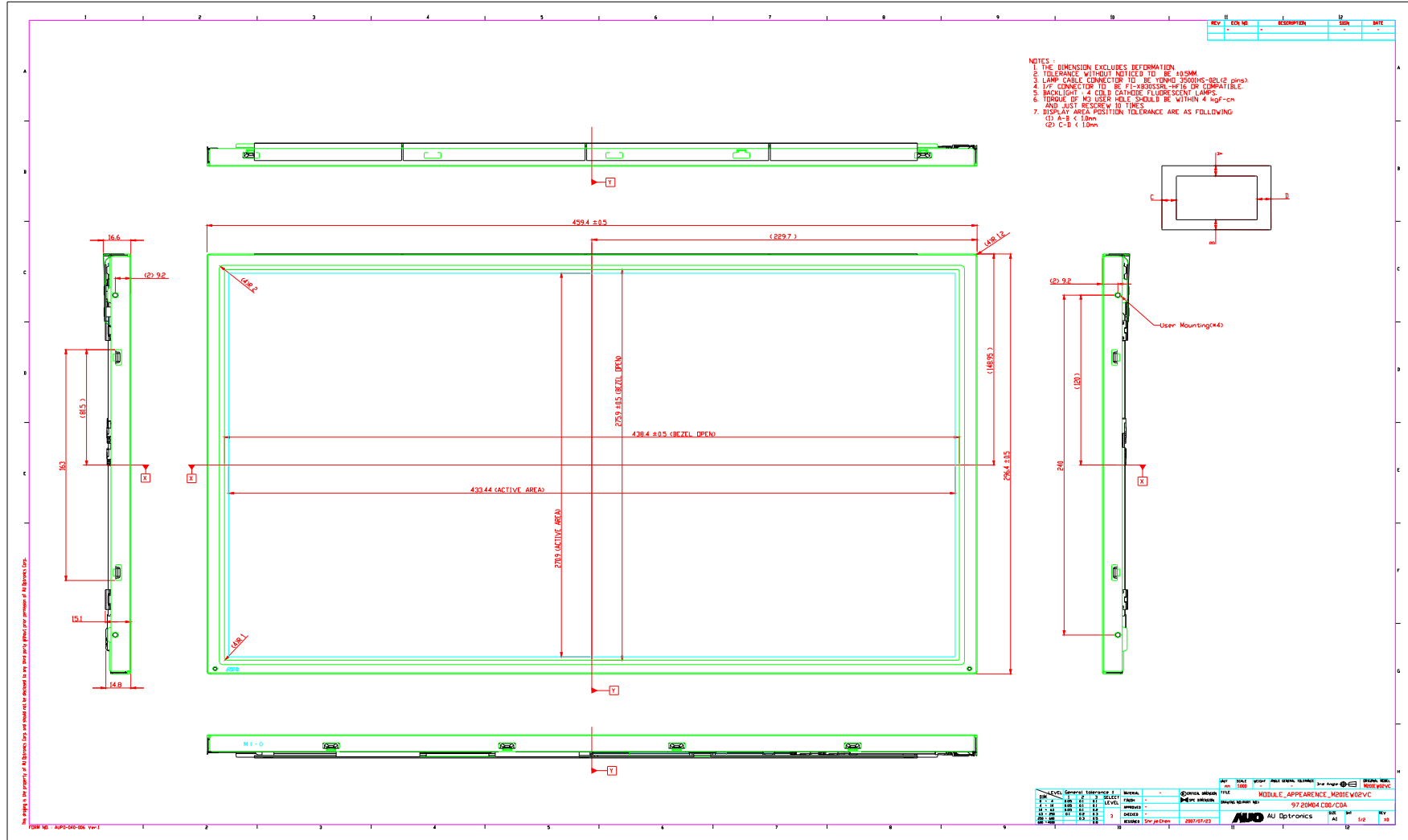
Note 2: According to EN61000-4-2, ESD class B: Some performance degradation allowed. No data lost. Self-recoverable. No hardware failures.

## 9 Shipping Label

The label is on the panel as shown below:



## 10. Mechanical Characteristics







# Product Specification

AU OPTRONICS CORPORATION

M201EW02 VC

