



() Preliminary Specification

(V) Final Specification

Module	23.8" Color TFT-LCD
Model Name	M238HAN01.0

Customer	Date
_____	_____
Approved by	
_____	_____
Note: This Specification is subject to change without notice.	

Approved by	Date
<u>Howard Lee</u>	<u>Feb 27, 2014</u>
Prepared by	Date
<u>Phoebe Chen</u>	<u>Feb 27, 2014</u>
AU Optronics corporation	

Contents

1 Handling Precautions.....	5
2 General Description	6
2.1 Display Characteristics.....	6
2.2 Absolute Maximum Rating of Environment	7
2.3 Optical Characteristics	8
3 TFT-LCD Module.....	13
3.1 Block Diagram.....	13
3.2 Interface Connection.....	14
3.2.1 Connector Type	14
3.2.2 Connector Pin Assignment	14
3.3 Electrical Characteristics.....	16
3.3.1 Absolute Maximum Rating.....	16
3.3.2 Recommended Operating Condition	16
3.4 Signal Characteristics	17
3.4.1 LCD Pixel Format	17
3.4.2 LVDS Data Format	17
3.4.3 Color versus Input Data.....	18
3.4.4 LVDS Specification	19
3.4.5 Input Timing Specification	21
3.4.6 Input Timing Diagram	22
3.5 Power ON/OFF Sequence	23
4 Backlight Unit.....	24
4.1 Block Diagram.....	24
4.2 Interface Connection.....	25
4.2.1 Connector Type	25
4.2.2 Connector Pin Assignment	27
4.3 Electrical Characteristics.....	28
4.3.1 Absolute Maximum Rating.....	28
4.3.2 Recommended Operating Condition	28
5 Reliability Test.....	30
6 Shipping Label	31
7 Mechanical Characteristics.....	32
8 Packing Specification.....	33
8.1 Packing Flow.....	33
8.2 Pallet and shipment information.....	34

Record of Revision

Version	Date	Page	Old description	New Description	Remark																																																																						
0.0	2013/11/1	All	First version release	-																																																																							
1.0	2014/01/14	6	2.1 Display Characteristics White Luminance (Center) ^① [cd/m ²] ^② 250 (Typ.) ^③ Power Consumption (LCD Module + Backlight unit) ^④ [Watt] ^⑤ TBD (Typ.) ^⑥ LCD module PDD (Typ.) TBD @ Black pattern, Fv=60Hz Backlight unit P _{BLU} (Typ.) 14.1 @ Is=65mA ^⑦ Weight [grams] ^⑧ TBD ^⑨	2.1 Display Characteristics White Luminance (Center) ^① [cd/m ²] ^② 250 (Typ.)^③ Power Consumption (LCD Module + Backlight unit) ^④ [Watt] ^⑤ 15.4 (Typ.)^⑥ LCD module PDD (Typ.) TBD @ White pattern, Fv=60Hz Backlight unit P _{BLU} (Typ.) 16.2 @ Is=70mA ^⑦ Weight [grams] ^⑧ 1389±0.5^⑨																																																																							
		8	2.3 Optical Characteristics 3. VDD=5.0V, Fv=60Hz, Is=65mA, Ta=25 <table border="1"> <tr><td>R_x^①</td><td>Red x^②</td><td>TBD^③</td></tr> <tr><td>R_y^①</td><td>Red y^②</td><td>TBD^③</td></tr> <tr><td>G_x^①</td><td>Green x^②</td><td>TBD^③</td></tr> <tr><td>G_y^①</td><td>Green y^②</td><td>TBD^③</td></tr> <tr><td>B_x^①</td><td>Blue x^②</td><td>TBD^③</td></tr> <tr><td>B_y^①</td><td>Blue y^②</td><td>TBD^③</td></tr> </table> Color Coordinates (CIE 1931) ^④	R _x ^①	Red x ^②	TBD ^③	R _y ^①	Red y ^②	TBD ^③	G _x ^①	Green x ^②	TBD ^③	G _y ^①	Green y ^②	TBD ^③	B _x ^①	Blue x ^②	TBD ^③	B _y ^①	Blue y ^②	TBD ^③	2.3 Optical Characteristics 3. VDD=5.0V, Fv=60Hz, Is=70mA, Ta=25 <table border="1"> <tr><td>R_x^①</td><td>Red x^②</td><td>0.617</td><td>0.647</td><td>0.677</td></tr> <tr><td>R_y^①</td><td>Red y^②</td><td>0.303</td><td>0.333</td><td>0.363</td></tr> <tr><td>G_x^①</td><td>Green x^②</td><td>0.278</td><td>0.308</td><td>0.338</td></tr> <tr><td>G_y^①</td><td>Green y^②</td><td>0.584</td><td>0.614</td><td>0.644</td></tr> <tr><td>B_x^①</td><td>Blue x^②</td><td>0.123</td><td>0.153</td><td>0.183</td></tr> <tr><td>B_y^①</td><td>Blue y^②</td><td>0.016</td><td>0.046</td><td>0.076</td></tr> </table> Color Coordinates (CIE 1931) ^④	R _x ^①	Red x ^②	0.617	0.647	0.677	R _y ^①	Red y ^②	0.303	0.333	0.363	G _x ^①	Green x ^②	0.278	0.308	0.338	G _y ^①	Green y ^②	0.584	0.614	0.644	B _x ^①	Blue x ^②	0.123	0.153	0.183	B _y ^①	Blue y ^②	0.016	0.046	0.076																							
R _x ^①	Red x ^②	TBD ^③																																																																									
R _y ^①	Red y ^②	TBD ^③																																																																									
G _x ^①	Green x ^②	TBD ^③																																																																									
G _y ^①	Green y ^②	TBD ^③																																																																									
B _x ^①	Blue x ^②	TBD ^③																																																																									
B _y ^①	Blue y ^②	TBD ^③																																																																									
R _x ^①	Red x ^②	0.617	0.647	0.677																																																																							
R _y ^①	Red y ^②	0.303	0.333	0.363																																																																							
G _x ^①	Green x ^②	0.278	0.308	0.338																																																																							
G _y ^①	Green y ^②	0.584	0.614	0.644																																																																							
B _x ^①	Blue x ^②	0.123	0.153	0.183																																																																							
B _y ^①	Blue y ^②	0.016	0.046	0.076																																																																							
		16	3.3.2 Recommended Operating Condition <table border="1"> <tr><td>IDD^①</td><td>Power supply Input Current (RMS)^②</td><td>TBD^③</td><td>TBD^④</td><td>[A]^⑤</td></tr> <tr><td>PDD^①</td><td>VDD Power Consumption^②</td><td>TBD^③</td><td>TBD^④</td><td>[Watt]^⑤</td></tr> </table>	IDD ^①	Power supply Input Current (RMS) ^②	TBD ^③	TBD ^④	[A] ^⑤	PDD ^①	VDD Power Consumption ^②	TBD ^③	TBD ^④	[Watt] ^⑤	3.3.2 Recommended Operating Condition <table border="1"> <tr><td>IDD^①</td><td>Power supply Input Current (RMS)^②</td><td>0.64^③</td><td>0.76^④</td><td>[A]^⑤</td></tr> <tr><td>PDD^①</td><td>VDD Power Consumption^②</td><td>3.2^③</td><td>3.8^④</td><td>[Watt]^⑤</td></tr> </table>	IDD ^①	Power supply Input Current (RMS) ^②	0.64 ^③	0.76 ^④	[A] ^⑤	PDD ^①	VDD Power Consumption ^②	3.2 ^③	3.8 ^④	[Watt] ^⑤																																																			
IDD ^①	Power supply Input Current (RMS) ^②	TBD ^③	TBD ^④	[A] ^⑤																																																																							
PDD ^①	VDD Power Consumption ^②	TBD ^③	TBD ^④	[Watt] ^⑤																																																																							
IDD ^①	Power supply Input Current (RMS) ^②	0.64 ^③	0.76 ^④	[A] ^⑤																																																																							
PDD ^①	VDD Power Consumption ^②	3.2 ^③	3.8 ^④	[Watt] ^⑤																																																																							
		28	4.3.2 Recommended Operating Condition <table border="1"> <thead> <tr><th>Symbol</th><th>Description</th><th>Min.</th><th>Typ.</th><th>Max.</th><th>Unit</th><th>Remark</th></tr> </thead> <tbody> <tr><td>I_s</td><td>LED String Current</td><td>-</td><td>65</td><td>72</td><td>[mA]</td><td>100% duty ratio of LED chip</td></tr> <tr><td>V_s</td><td>LED String Voltage</td><td>47.6</td><td>54.4</td><td>61.2</td><td>[VOLT]</td><td>Is=65mA @ 100% duty ratio, Note 4-1, Note 4-3</td></tr> <tr><td>ΔV_s</td><td>Maximum V_s Voltage Deviation of light bar</td><td>-</td><td>-</td><td>3.4</td><td>[VOLT]</td><td>Is=65mA @ 100% duty ratio, Note 4-2</td></tr> <tr><td>P_{BLU}</td><td>LED Light Bar Power Consumption</td><td>-</td><td>14.1</td><td>15.9</td><td>[Watt]</td><td>Note 4-3</td></tr> </tbody> </table>	Symbol	Description	Min.	Typ.	Max.	Unit	Remark	I _s	LED String Current	-	65	72	[mA]	100% duty ratio of LED chip	V _s	LED String Voltage	47.6	54.4	61.2	[VOLT]	Is=65mA @ 100% duty ratio, Note 4-1, Note 4-3	ΔV _s	Maximum V _s Voltage Deviation of light bar	-	-	3.4	[VOLT]	Is=65mA @ 100% duty ratio, Note 4-2	P _{BLU}	LED Light Bar Power Consumption	-	14.1	15.9	[Watt]	Note 4-3	4.3.2 Recommended Operating Condition <table border="1"> <thead> <tr><th>Symbol</th><th>Description</th><th>Min.</th><th>Typ.</th><th>Max.</th><th>Unit</th><th>Remark</th></tr> </thead> <tbody> <tr><td>I_s</td><td>LED String Current</td><td>-</td><td>70</td><td>77</td><td>[mA]</td><td>100% duty ratio of LED chip</td></tr> <tr><td>V_s</td><td>LED String Voltage</td><td>47.6</td><td>54.4</td><td>61.2</td><td>[VOLT]</td><td>Is=70mA @ 100% duty ratio, Note 4-1, Note 4-3</td></tr> <tr><td>ΔV_s</td><td>Maximum V_s Voltage Deviation of light bar</td><td>-</td><td>-</td><td>3.4</td><td>[VOLT]</td><td>Is=70mA @ 100% duty ratio, Note 4-2</td></tr> <tr><td>P_{BLU}</td><td>LED Light Bar Power Consumption</td><td>-</td><td>15.2</td><td>17.1</td><td>[Watt]</td><td>Note 4-3</td></tr> </tbody> </table>	Symbol	Description	Min.	Typ.	Max.	Unit	Remark	I _s	LED String Current	-	70	77	[mA]	100% duty ratio of LED chip	V _s	LED String Voltage	47.6	54.4	61.2	[VOLT]	Is=70mA @ 100% duty ratio, Note 4-1, Note 4-3	ΔV _s	Maximum V _s Voltage Deviation of light bar	-	-	3.4	[VOLT]	Is=70mA @ 100% duty ratio, Note 4-2	P _{BLU}	LED Light Bar Power Consumption	-	15.2	17.1	[Watt]	Note 4-3	
Symbol	Description	Min.	Typ.	Max.	Unit	Remark																																																																					
I _s	LED String Current	-	65	72	[mA]	100% duty ratio of LED chip																																																																					
V _s	LED String Voltage	47.6	54.4	61.2	[VOLT]	Is=65mA @ 100% duty ratio, Note 4-1, Note 4-3																																																																					
ΔV _s	Maximum V _s Voltage Deviation of light bar	-	-	3.4	[VOLT]	Is=65mA @ 100% duty ratio, Note 4-2																																																																					
P _{BLU}	LED Light Bar Power Consumption	-	14.1	15.9	[Watt]	Note 4-3																																																																					
Symbol	Description	Min.	Typ.	Max.	Unit	Remark																																																																					
I _s	LED String Current	-	70	77	[mA]	100% duty ratio of LED chip																																																																					
V _s	LED String Voltage	47.6	54.4	61.2	[VOLT]	Is=70mA @ 100% duty ratio, Note 4-1, Note 4-3																																																																					
ΔV _s	Maximum V _s Voltage Deviation of light bar	-	-	3.4	[VOLT]	Is=70mA @ 100% duty ratio, Note 4-2																																																																					
P _{BLU}	LED Light Bar Power Consumption	-	15.2	17.1	[Watt]	Note 4-3																																																																					
		29	Note 4-4: Definition of life time: b. Test condition: Is = 65mA and 25 (Room Temperature)	Note 4-4: Definition of life time: b. Test condition: Is = 70mA and 25 (Room Temperature)																																																																							
		15/27/32	Shipping label position 	Shipping label position 																																																																							
		34	8.2 Pallet and shipment information <table border="1"> <thead> <tr><th rowspan="2">Item</th><th colspan="3">Specification</th></tr> <tr><th>Q'ty</th><th>Dimension</th><th>Weight(kg)</th></tr> </thead> <tbody> <tr><td>Panel</td><td>1^①</td><td>543.0(H) x 317.4(V) x 11.2(D) (Typ.)^②</td><td>TBD^③</td></tr> <tr><td>Cushion</td><td>1^①</td><td>-</td><td>1.7^④</td></tr> <tr><td>Box</td><td>1^①</td><td>406(L)mm x 281(W)mm x 651(H)mm^⑤</td><td>1.2^⑥</td></tr> <tr><td>Packing Box</td><td>10 pcs/Box^⑦</td><td>406(L)mm x 281(W)mm x 651(H)mm^⑤</td><td>TBD^⑧</td></tr> <tr><td>Pallet</td><td>1^①</td><td>1150(L)mm x 840(W)mm x 138(H)mm^⑤</td><td>12^⑥</td></tr> <tr><td>Pallet after Packing</td><td>16 boxes/pallet</td><td>1150(L)mm x 840(W)mm x 1440(H)mm^⑤</td><td>TBD^⑧</td></tr> </tbody> </table>	Item	Specification			Q'ty	Dimension	Weight(kg)	Panel	1 ^①	543.0(H) x 317.4(V) x 11.2(D) (Typ.) ^②	TBD ^③	Cushion	1 ^①	-	1.7 ^④	Box	1 ^①	406(L)mm x 281(W)mm x 651(H)mm ^⑤	1.2 ^⑥	Packing Box	10 pcs/Box ^⑦	406(L)mm x 281(W)mm x 651(H)mm ^⑤	TBD ^⑧	Pallet	1 ^①	1150(L)mm x 840(W)mm x 138(H)mm ^⑤	12 ^⑥	Pallet after Packing	16 boxes/pallet	1150(L)mm x 840(W)mm x 1440(H)mm ^⑤	TBD ^⑧	8.2 Pallet and shipment information <table border="1"> <thead> <tr><th rowspan="2">Item</th><th colspan="3">Specification</th></tr> <tr><th>Q'ty</th><th>Dimension</th><th>Weight(kg)</th></tr> </thead> <tbody> <tr><td>Panel</td><td>1^①</td><td>543.0(H) x 317.4(V) x 11.2(D) (Typ.)^②</td><td>2.380^③</td></tr> <tr><td>Cushion</td><td>1^①</td><td>-</td><td>1.7^④</td></tr> <tr><td>Box</td><td>1^①</td><td>406(L)mm x 281(W)mm x 651(H)mm^⑤</td><td>1.2^⑥</td></tr> <tr><td>Packing Box</td><td>10 pcs/Box^⑦</td><td>406(L)mm x 281(W)mm x 651(H)mm^⑤</td><td>25.7^⑧</td></tr> <tr><td>Pallet</td><td>1^①</td><td>1150(L)mm x 840(W)mm x 138(H)mm^⑤</td><td>12^⑥</td></tr> <tr><td>Pallet after Packing</td><td>16 boxes/pallet</td><td>1150(L)mm x 840(W)mm x 1440(H)mm^⑤</td><td>433.2^⑧</td></tr> </tbody> </table>	Item	Specification			Q'ty	Dimension	Weight(kg)	Panel	1 ^①	543.0(H) x 317.4(V) x 11.2(D) (Typ.) ^②	2.380 ^③	Cushion	1 ^①	-	1.7 ^④	Box	1 ^①	406(L)mm x 281(W)mm x 651(H)mm ^⑤	1.2 ^⑥	Packing Box	10 pcs/Box ^⑦	406(L)mm x 281(W)mm x 651(H)mm ^⑤	25.7 ^⑧	Pallet	1 ^①	1150(L)mm x 840(W)mm x 138(H)mm ^⑤	12 ^⑥	Pallet after Packing	16 boxes/pallet	1150(L)mm x 840(W)mm x 1440(H)mm ^⑤	433.2 ^⑧									
Item	Specification																																																																										
	Q'ty	Dimension	Weight(kg)																																																																								
Panel	1 ^①	543.0(H) x 317.4(V) x 11.2(D) (Typ.) ^②	TBD ^③																																																																								
Cushion	1 ^①	-	1.7 ^④																																																																								
Box	1 ^①	406(L)mm x 281(W)mm x 651(H)mm ^⑤	1.2 ^⑥																																																																								
Packing Box	10 pcs/Box ^⑦	406(L)mm x 281(W)mm x 651(H)mm ^⑤	TBD ^⑧																																																																								
Pallet	1 ^①	1150(L)mm x 840(W)mm x 138(H)mm ^⑤	12 ^⑥																																																																								
Pallet after Packing	16 boxes/pallet	1150(L)mm x 840(W)mm x 1440(H)mm ^⑤	TBD ^⑧																																																																								
Item	Specification																																																																										
	Q'ty	Dimension	Weight(kg)																																																																								
Panel	1 ^①	543.0(H) x 317.4(V) x 11.2(D) (Typ.) ^②	2.380 ^③																																																																								
Cushion	1 ^①	-	1.7 ^④																																																																								
Box	1 ^①	406(L)mm x 281(W)mm x 651(H)mm ^⑤	1.2 ^⑥																																																																								
Packing Box	10 pcs/Box ^⑦	406(L)mm x 281(W)mm x 651(H)mm ^⑤	25.7 ^⑧																																																																								
Pallet	1 ^①	1150(L)mm x 840(W)mm x 138(H)mm ^⑤	12 ^⑥																																																																								
Pallet after Packing	16 boxes/pallet	1150(L)mm x 840(W)mm x 1440(H)mm ^⑤	433.2 ^⑧																																																																								



1.1	2014/02/26	21	Symbol	Description	Min.	Typ.	Max.	Unit	Remark	Symbol	Description	Min.	Typ.	Max.	Unit	Remark		
			T _v	Period	1092	1130	1793	Hz	-	T _v	Period	1092	1130	1793	Hz	-		
			Td1st (V)	Vertical Section	Active	1080	1080	1080	Hz	-	Td1st (V)	Vertical Section	Active	1080	1080	1080	Hz	-
			Tbk (V)	Vertical Section	Blanking	12	50	713	Hz	-	Tbk (V)	Vertical Section	Blanking	12	50	713	Hz	-
			F _v	Vertical Section	Frequency	50	83	76	Hz	-	F _v	Vertical Section	Frequency	49	60	76	Hz	-
			T _t	Horizontal Section	Period	1002	1050	1100	Hz	-	T _t	Horizontal Section	Period	1002	1050	1100	Hz	-
			Td1st (H)	Horizontal Section	Active	960	960	960	Hz	-	Td1st (H)	Horizontal Section	Active	960	960	960	Hz	-
			Tbk (H)	Horizontal Section	Blanking	44	90	140	Hz	-	Tbk (H)	Horizontal Section	Blanking	44	90	140	Hz	-
			F _t	Horizontal Section	Frequency	55	83	90	KHz	Note 3-3	F _t	Horizontal Section	Frequency	54	68	90	KHz	Note 3-3
			T _{clk}	LVDS Clock	Period	11.1	14.0	18.2	ns	1/Fclk	T _{clk}	LVDS Clock	Period	11.1	14.0	18.2	ns	1/Fclk
			F _{clk}	LVDS Clock	Frequency	54.0	71.2	90.0	MHz	Note 3-4	F _{clk}	LVDS Clock	Frequency	53.7	71.2	90.0	MHz	Note 3-4

AUO Confidential For JUNGLIM Internal Use Only On 2014/03/17

1 Handling Precautions

- 1) Since front polarizer is easily damaged, pay attention not to scratch it.
- 2) Be sure to turn off power supply when inserting or disconnecting from input connector.
- 3) Wipe off water drop immediately. Long contact with water may cause discoloration or spots.
- 4) When the panel surface is soiled, wipe it with absorbent cotton or other soft cloth.
- 5) Since the panel is made of glass, it may break or crack if dropped or bumped on hard surface.
- 6) Since CMOS LSI is used in this module, take care of static electricity and insure human earth when handling.
- 7) Do not open or modify the Module Assembly.
- 8) Do not press the reflector sheet at the back of the module to any directions.
- 9) In case a TFT-LCD Module has to be put back into the packing container slot after once it was taken out from the container, do not press the center of the LED lightbar edge. Otherwise the TFT-LCD Module may be damaged.
- 10) Insert or pull out the interface connector, be sure not to rotate nor tilt it of the TFT-LCD Module.
- 11) Do not twist nor bend the TFT -LCD Module even momentary. It should be taken into consideration that no bending/twisting forces are applied to the TFT-LCD Module from outside. Otherwise the TFT-LCD Module may be damaged.
- 12) Please avoid touching COF position while you are doing mechanical design.
- 13) When storing modules as spares for a long time, the following precaution is necessary:
Store them in a dark place. Do not expose the module to sunlight or fluorescent light. Keep the temperature between 5 and 35 at normal humidity.

2 General Description

This specification applies to the 23.8 inch wide Color a-Si TFT-LCD Module M238HAN01.0. The display supports the Full HD - 1920(H) x 1080(V) screen format and 16.7M colors. The input interface is dual channel LVDS and this module doesn't contain an driver board for backlight.

2.1 Display Characteristics

The following items are characteristics summary on the table under 25 °C condition:

ITEMS	Unit	SPECIFICATIONS
Screen Diagonal	[mm]	604.70 (23.81")
Active Area	[mm]	527.04(H) x 296.46(V)
Pixels H x V	-	1920(x3) x 1080
Pixel Pitch	[um]	274.5 (per one triad) ×274.5
Pixel Arrangement	-	R.G.B. Vertical Stripe
Display Mode	-	AHVA, normally Black
White Luminance (Center)	[cd/m ²]	250 (Typ.)
Contrast Ratio	-	1000 (Typ.)
Response Time	[msec]	14 (Typ., G/G)
Power Consumption (LCD Module + Backligh unit)	[Watt]	18.4 (Typ.) LCD module : PDD (Typ.)=3.2 @ White pattern,Fv=60Hz Backlight unit : P _{BLU} (Typ.) =15.2 @Is=70mA
Weight	[Grams]	2280+/-80
Outline Dimension	[mm]	543.0(H) x 317.4(V) x 11.2(D) (Typ.)
Electrical Interface	-	Dual channel LVDS
Support Color	-	16.7M colors (RGB 6-bit + Hi_FRC)
Surface Treatment	-	Anti-Glare, 3H
Temperature Range		
Operating	[°C]	0 to +50
Storage (Shipping)	[°C]	-20 to +60
RoHS Compliance	-	RoHS Compliance
TCO Compliance	-	TCO 6.0 Compliance

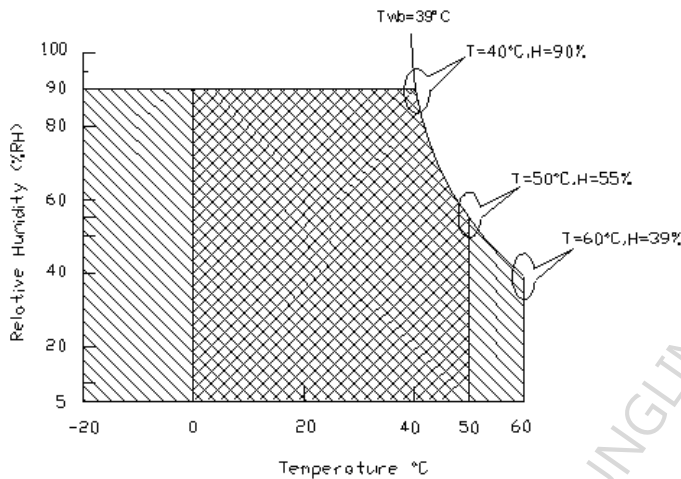
2.2 Absolute Maximum Rating of Environment

Permanent damage may occur if exceeding the following maximum rating.

Symbol	Description	Min.	Max.	Unit	Remark
TOP	Operating Temperature	0	+50	[°C]	Note 2-1
TGS	Glass surface temperature (operation)	0	+65	[°C]	Note 2-1 Function judged only
HOP	Operation Humidity	5	90	[%RH]	Note 2-1
TST	Storage Temperature	-20	+60	[°C]	
HST	Storage Humidity	5	90	[%RH]	

Note 2-1: Temperature and relative humidity range are shown as the below figure.

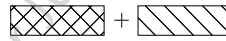
1. 90% RH Max (Ta 39)
2. Max wet-bulb temperature at 39 or less. (Ta 39)
3. No condensation



Operating Range



Storage Range



2.3 Optical Characteristics

The optical characteristics are measured on the following test condition.

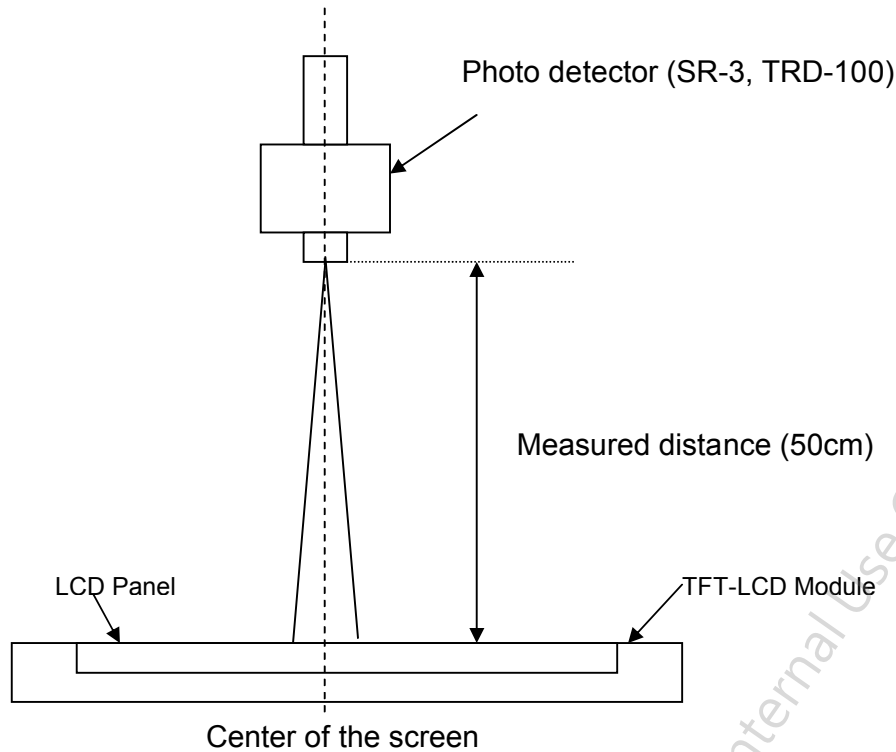
Test Condition:

1. Equipment setup: Please refer to **Note 2-2**.
2. Panel Lighting time: 30 minutes
3. VDD=5.0V, Fv=60Hz, Is=70mA, Ta=25

Symbol	Description		Min.	Typ.	Max.	Unit	Remark	
L _w	White Luminance (Center of screen)		200	250	-	[cd/m ²]	Note 2-2 By SR-3	
L _{uni}	Luminance Uniformity (9 points)		75	80	-	[%]	Note 2-3 By SR-3	
CR	Contrast Ratio (Center of screen)		600	1000	-	-	Note 2-4 By SR-3	
θ _R	Horizontal Viewing Angle (CR=10)	Right	75	89	-	[degree]	Note 2-5 By SR-3	
θ _L		Left	75	89	-			
Φ _H	Vertical Viewing Angle (CR=10)	Up	75	89	-			
Φ _L		Down	75	89	-			
T _{GTC}	Response Time		Gray to Gray	-	14	[msec]	Note 2-6 By TRD-100	
R _x	Color Coordinates (CIE 1931)		Red x	0.617	0.647	0.677	-	By SR-3
R _y			Red y	0.303	0.333	0.363		
G _x			Green x	0.278	0.308	0.338		
G _y			Green y	0.584	0.614	0.644		
B _x			Blue x	0.123	0.153	0.183		
B _y			Blue y	0.016	0.046	0.076		
W _x			White x	0.283	0.313	0.343		
W _y			White y	0.299	0.329	0.359		
CT	Crosstalk		-	-	1.5	[%]	Note 2-7 By SR-3	
F _{dB}	Flicker (Center of screen)		-	-	-20	[dB]	Note 2-8 By SR-3	

Note 2-2: Equipment setup :

The LCD module should be stabilized at given temperature for 30 minutes to avoid abrupt temperature change during measuring (at surface 35°C). In order to stabilize the luminance, the measurement should be executed after lighting Backlight for 30 minutes in a stable, windless and dark room.

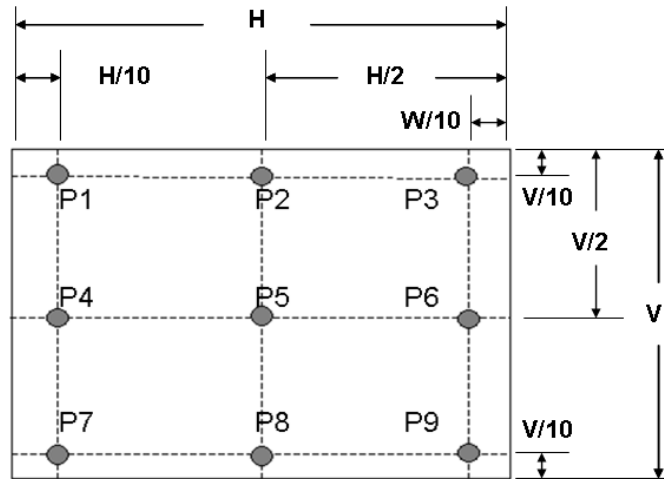


Note 2-3: Luminance Uniformity Measurement

Definition:

$$\text{Luminance Uniformity} = \frac{\text{Minimum Luminance of 9 Points (P1 ~ P9)}}{\text{Maximum Luminance of 9 Points (P1 ~ P9)}}$$

a. Test pattern: White Pattern



Note 2-4: Contrast Ratio Measurement

Definition:

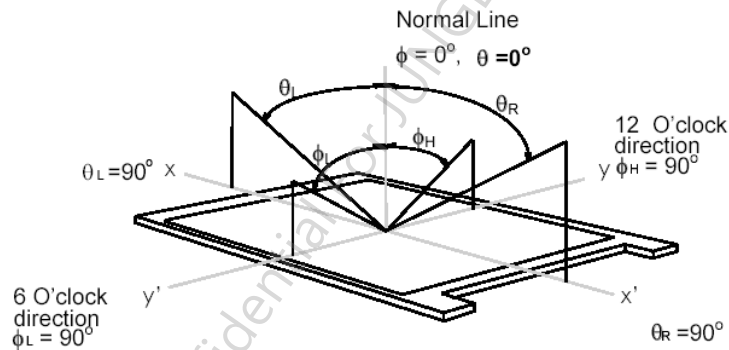
$$\text{Contrast Ratio} = \frac{\text{Luminance of White pattern}}{\text{Luminance of Black pattern}}$$

- a. Measured position: Center of screen (P5) & perpendicular to the screen ($\theta = \Phi = 0^\circ$)

Note 2-5: Viewing angle measurement

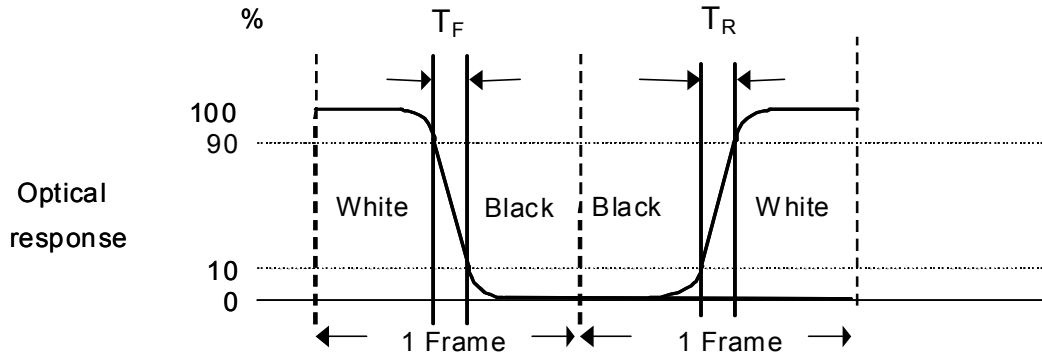
Definition: The angle at which the contrast ratio is greater than 10 & 5 .

- a. Horizontal view angle: Divide to left & right (θ_L & θ_R)
 Vertical view angle: Divide to up & down (Φ_H & Φ_L)



Note 2-6: Response time measurement

The output signals of photo detector are measured when the input signals are changed from “Black” to “White” (rising time, T_R), and from “White” to “Black” (falling time, T_F), respectively. The response time is interval between the 10% and 90% of optical response. (*Black & White color definition: Please refer section 3.4.3*)



The gray to gray response time is defined as the following table.

Gray Level to Gray Level		Falling Time				
		G0	G63	G127	G191	G255
Rising Time	G0					
	G63					
	G127					
	G191					
	G255					

- T_{GTG_typ} is the total average time at rising time and falling time of gray to gray.
- T_{GTG_max} is the maximum time at rising time or falling time of gray to gray.

Note 2-7: Crosstalk measurement

Definition:

$$CT = \text{Max. } (CT_H, CT_V);$$

Where

a. Maximum Horizontal Crosstalk :

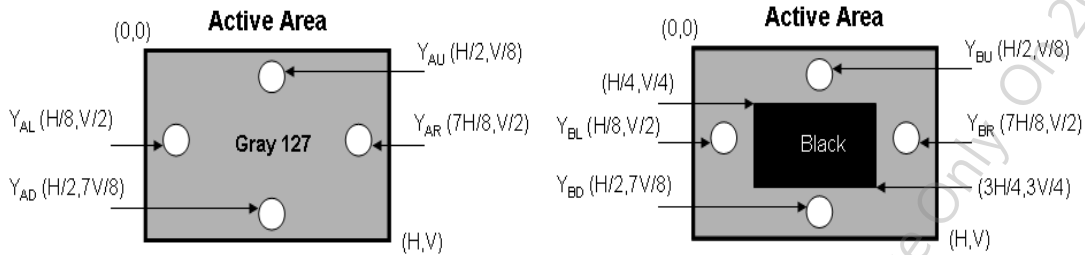
$$CT_H = \text{Max. } (| Y_{BL} - Y_{AL} | / Y_{AL} \times 100 \%, | Y_{BR} - Y_{AR} | / Y_{AR} \times 100 \%);$$

Maximum Vertical Crosstalk:

$$CT_V = \text{Max. } (| Y_{BU} - Y_{AU} | / Y_{AU} \times 100 \%, | Y_{BD} - Y_{AD} | / Y_{AD} \times 100 \%);$$

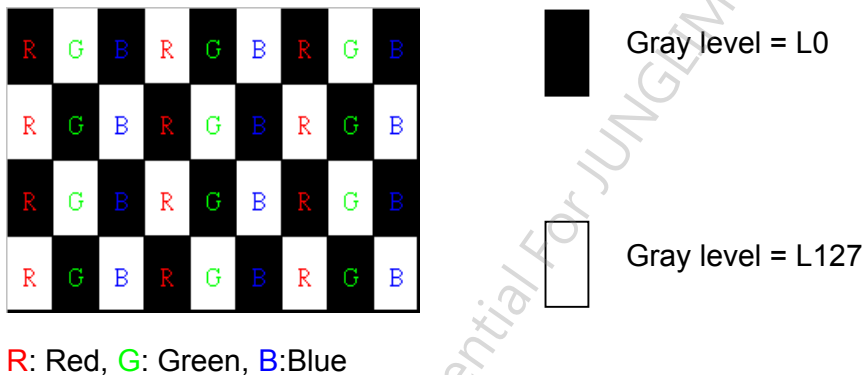
b. $Y_{AU}, Y_{AD}, Y_{AL}, Y_{AR}$ = Luminance of measured location without Black pattern

$Y_{BU}, Y_{BD}, Y_{BL}, Y_{BR}$ = Luminance of measured location with Black pattern



Note 2-8: Flicker measurement

a. Test pattern: It is listed as following.

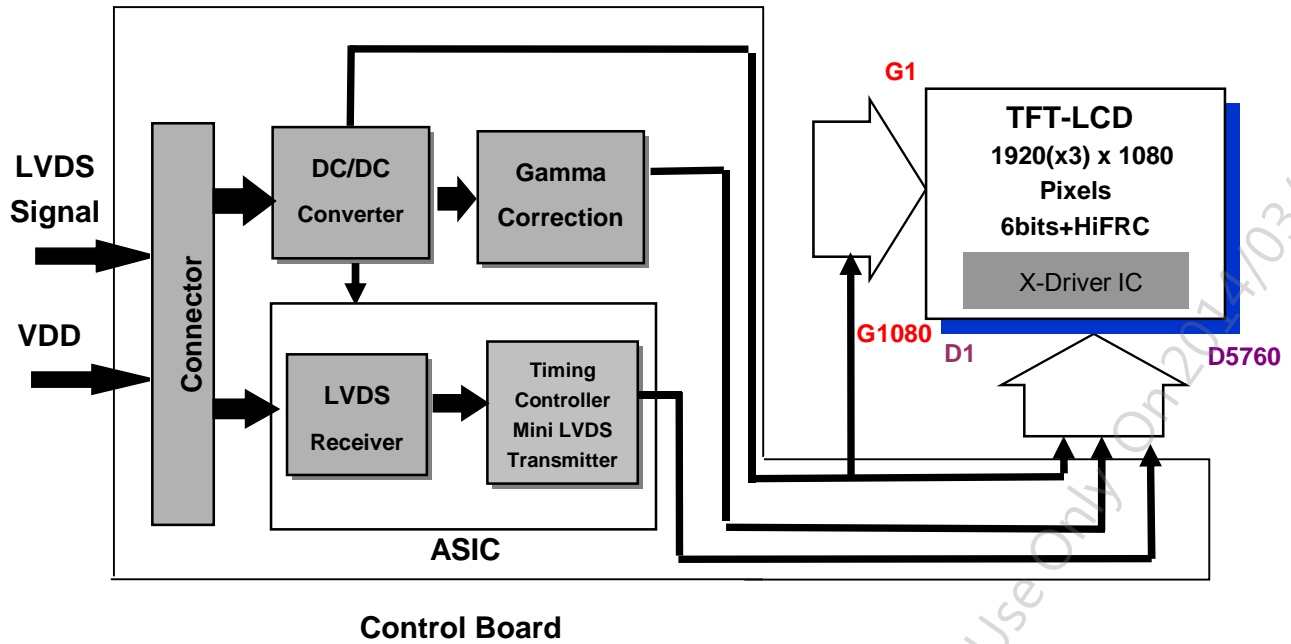


b. Measured position: Center of screen (P5) & perpendicular to the screen ($\theta = \Phi = 0^\circ$)

3 TFT-LCD Module

3.1 Block Diagram

The following shows the block diagram of the 23.8 inch Color TFT-LCD Module.



3.2 Interface Connection

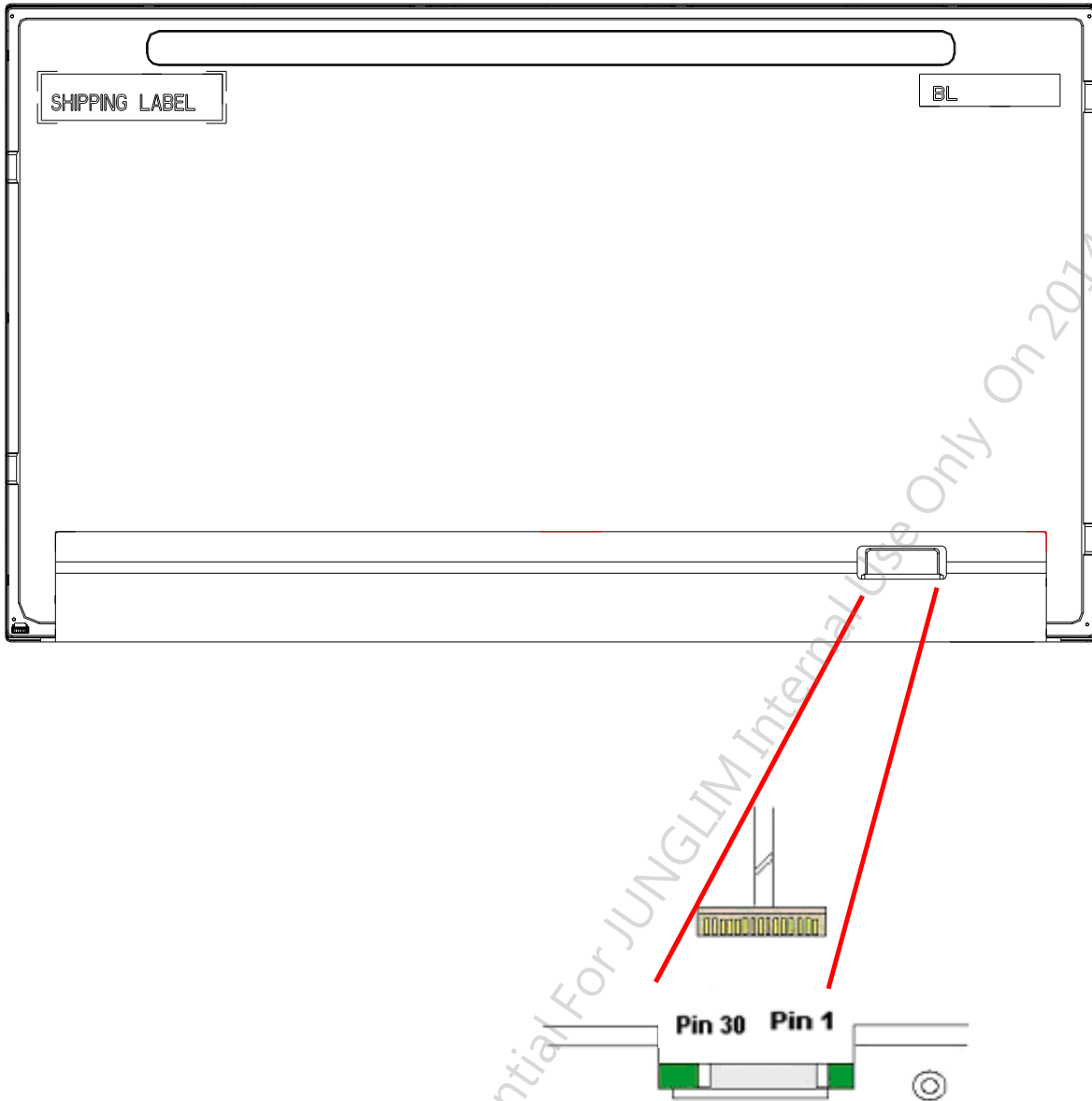
3.2.1 Connector Type

TFT-LCD Connector	Manufacturer	P-TWO	STM
	Part Number	187034-3009	MSBKT2407P30HB
Mating Connector	Manufacturer	JAE or Equivalent	
	Part Number	FI-X30HL (Locked Type)	

3.2.2 Connector Pin Assignment

PIN #	Symbol	Description	Remark
1	RxO0-	Negative LVDS differential data input (Odd data)	
2	RxO0+	Positive LVDS differential data input (Odd data)	
3	RxO1-	Negative LVDS differential data input (Odd data)	
4	RxO1+	Positive LVDS differential data input (Odd data)	
5	RxO2-	Negative LVDS differential data input (Odd data)	
6	RxO2+	Positive LVDS differential data input (Odd data)	
7	GND	Ground	
8	RxOCLK-	Negative LVDS differential clock input (Odd clock)	
9	RxOCLK+	Positive LVDS differential clock input (Odd clock)	
10	RxO3-	Negative LVDS differential data input (Odd data)	
11	RxO3+	Positive LVDS differential data input (Odd data)	
12	RxE0-	Negative LVDS differential data input (Even data)	
13	RxE0+	Positive LVDS differential data input (Even data)	
14	GND	Ground	
15	RxE1-	Negative LVDS differential data input (Even data)	
16	RxE1+	Positive LVDS differential data input (Even data)	
17	GND	Ground	
18	RxE2-	Negative LVDS differential data input (Even data)	
19	RxE2+	Positive LVDS differential data input (Even data)	
20	RxECLK-	Negative LVDS differential clock input (Even clock)	
21	RxECLK+	Positive LVDS differential clock input (Even clock)	
22	RxE3-	Negative LVDS differential data input (Even data)	
23	RxE3+	Positive LVDS differential data input (Even data)	
24	GND	Must Connect to GND	
25	NC	No connection (for AUO test only. Do not connect)	
26	NC	No connection (for AUO test only. Do not connect)	

27	NC	No connection (for AUO test only. Do not connect)	
28	VDD	Power Supply Input Voltage	
29	VDD	Power Supply Input Voltage	
30	VDD	Power Supply Input Voltage	



3.3 Electrical Characteristics

3.3.1 Absolute Maximum Rating

Permanent damage may occur if exceeding the following maximum rating.

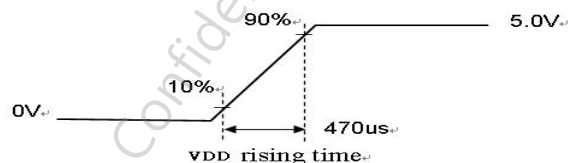
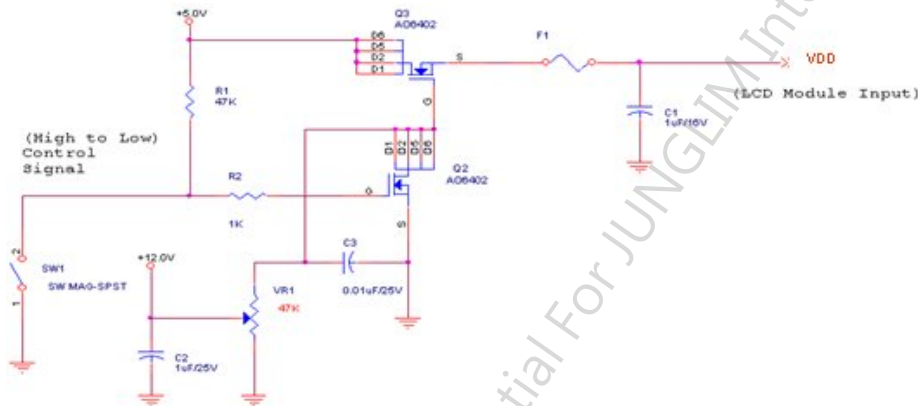
Symbol	Description	Min	Max	Unit	Remark
VDD	Power Supply Input Voltage	GND-0.3	6.0	[Volt]	Ta=25

3.3.2 Recommended Operating Condition

Symbol	Description	Min	Typ	Max	Unit	Remark
VDD	Power supply Input voltage	4.5	5.0	5.5	[Volt]	
IDD	Power supply Input Current (RMS)	-	0.64	0.76	[A]	VDD= 5.0V, White Pattern, Fv=60Hz
		-	0.74	0.88	[A]	VDD= 5.0V, White Pattern, Fv=75Hz
PDD	VDD Power Consumption	-	3.2	3.8	[Watt]	VDD= 5.0V, White Pattern, Fv=60Hz
		-	3.7	4.4	[Watt]	VDD= 5.0V, White Pattern, Fv=75Hz
IRush	Inrush Current	-	-	3.0	[A]	Note 3-1
VDDrp	Allowable VDD Ripple Voltage	-	-	500	[mV]	VDD= 5.0V, Black Pattern, Fv=75Hz

Note 3-1: Inrush Current measurement:

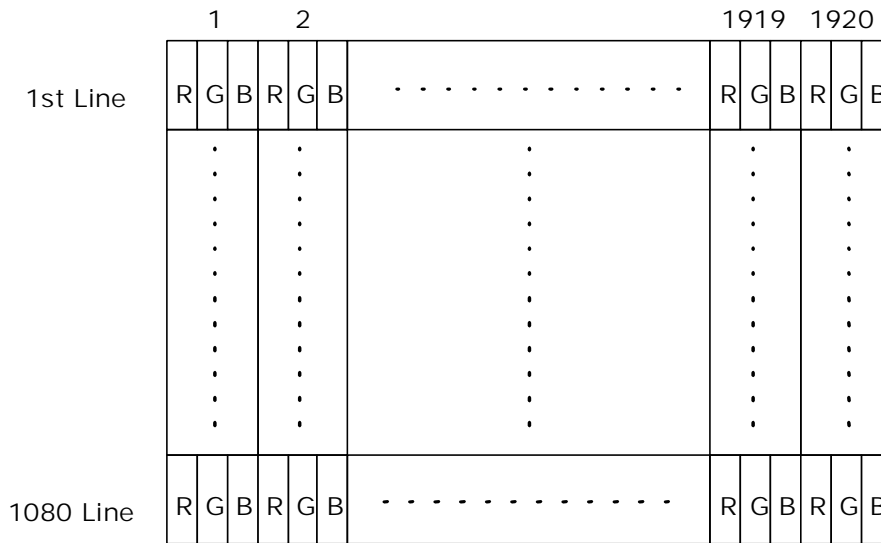
Test circuit:



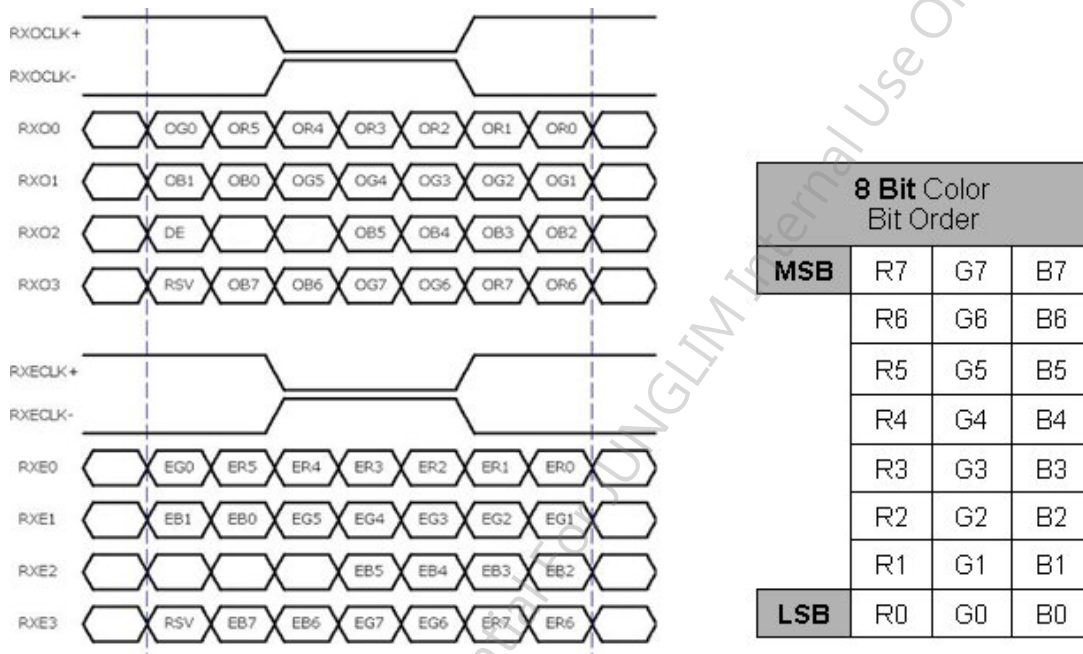
The duration of VDD rising time: 470us.

3.4 Signal Characteristics

3.4.1 LCD Pixel Format



3.4.2 LVDS Data Format



Note 3-2:

- a. O = "Odd Pixel Data" E = "Even Pixel Data"
- b. Refer to 3.4.1 LCD pixel format, the 1st data is 1 (Odd Pixel Data), the 2nd data is 2 (Even Pixel Data) and the last data is 1920 (Even Pixel Data).

3.4.3 Color versus Input Data

The following table is for color versus input data (8bit). The higher the gray level, the brighter the color.

Color	Gray Level	Color Input Data																								Remark
		RED data (MSB:R7, LSB:R0)								GREEN data (MSB:G7, LSB:G0)								BLUE data (MSB:B7, LSB:B0)								
		R7	R6	R5	R4	R3	R2	R1	R0	G7	G6	G5	G4	G3	G2	G1	G0	B7	B6	B5	B4	B3	B2	B1	B0	
Black	-	0	0	0	0	0	0	0	0	0	0	0	0	0	0	0	0	0	0	0	0	0	0	0	0	
White	-	1	1	1	1	1	1	1	1	1	1	1	1	1	1	1	1	1	1	1	1	1	1	1	1	
Gray 127	-	0	1	1	1	1	1	1	1	0	1	1	1	1	1	1	1	0	1	1	1	1	1	1	1	
Red	L0	0	0	0	0	0	0	0	0	0	0	0	0	0	0	0	0	0	0	0	0	0	0	0	0	Black
	:	:	:	:	:	:	:	:	:	:	:	:	:	:	:	:	:	:	:	:	:	:	:	:	:	
	L255	1	1	1	1	1	1	1	1	0	0	0	0	0	0	0	0	0	0	0	0	0	0	0	0	
Green	L0	0	0	0	0	0	0	0	0	0	0	0	0	0	0	0	0	0	0	0	0	0	0	0	0	Black
	:	:	:	:	:	:	:	:	:	:	:	:	:	:	:	:	:	:	:	:	:	:	:	:	:	
	L255	0	0	0	0	0	0	0	0	1	1	1	1	1	1	1	1	0	0	0	0	0	0	0	0	
Blue	L0	0	0	0	0	0	0	0	0	0	0	0	0	0	0	0	0	0	0	0	0	0	0	0	0	Black
	:	:	:	:	:	:	:	:	:	:	:	:	:	:	:	:	:	:	:	:	:	:	:	:	:	
	L255	0	0	0	0	0	0	0	0	0	0	0	0	0	0	0	0	1	1	1	1	1	1	1	1	

AUO Confidential For JUNGLIM Internal Use Only On 2014/03/17

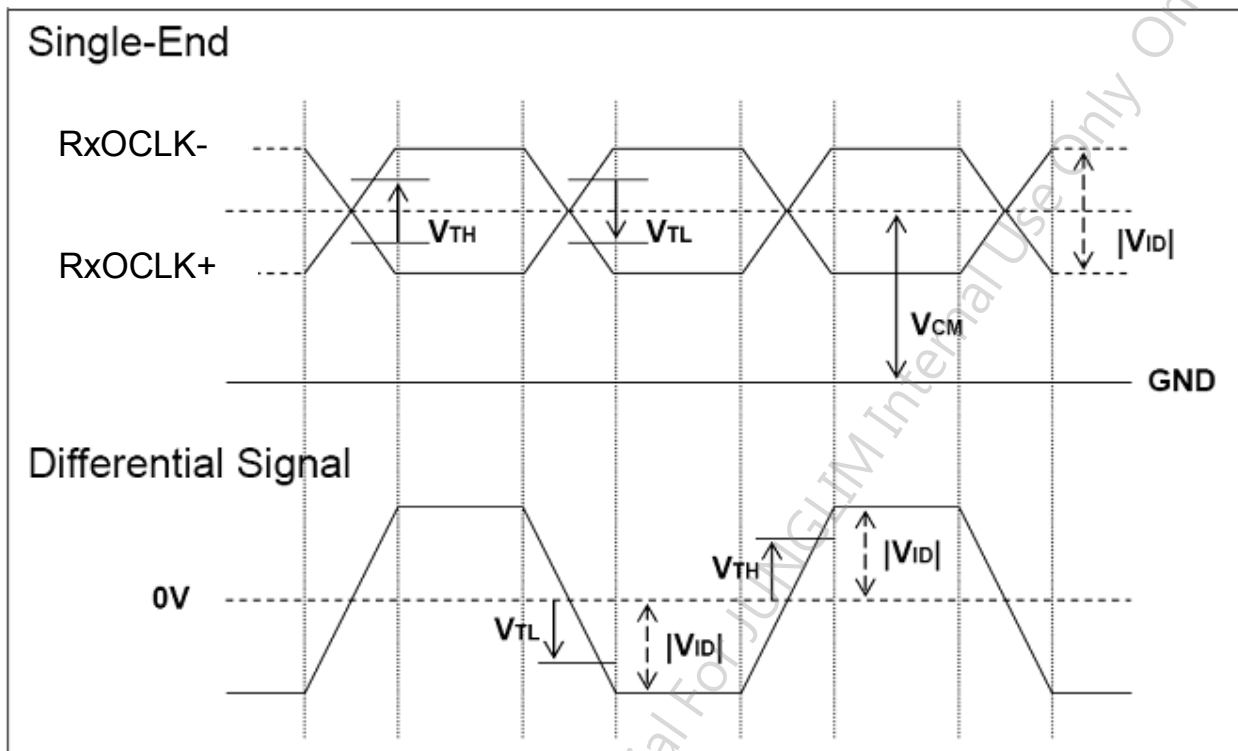
3.4.4 LVDS Specification

a. DC Characteristics:

Symbol	Description	Min	Typ	Max	Units	Condition
V_{TH}	LVDS Differential Input High Threshold	-	-	+100	[mV]	$V_{CM} = 1.2V$
V_{TL}	LVDS Differential Input Low Threshold	-100	-	-	[mV]	$V_{CM} = 1.2V$
V_{ID}	LVDS Differential Input Voltage	100	-	600	[mV]	
V_{CM}	LVDS Common Mode Voltage	+1.0	+1.2	+1.5	[V]	$V_{TH} - V_{TL} = 200mV$

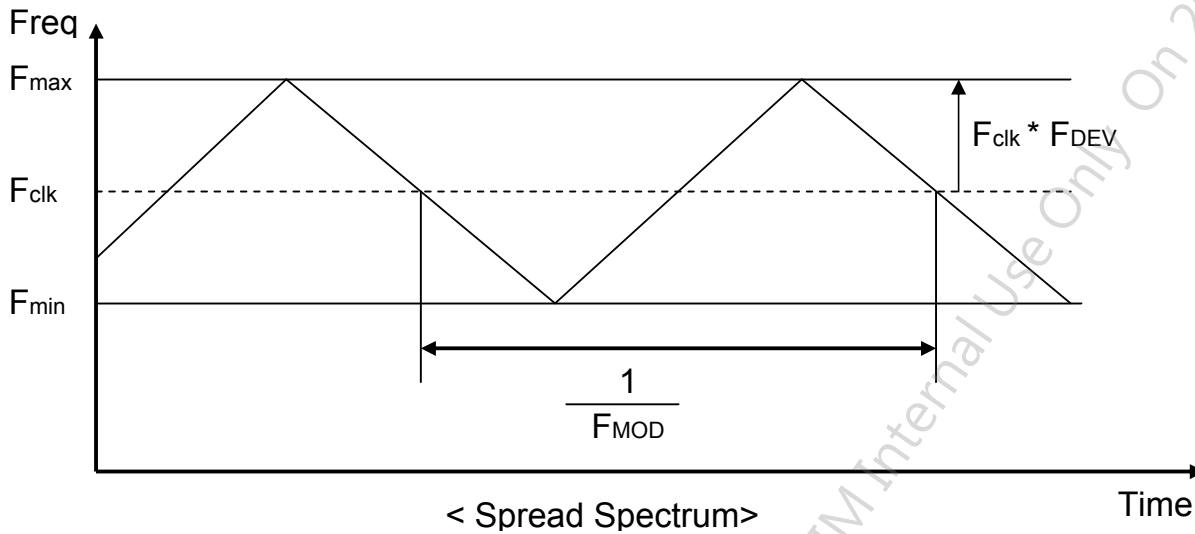
LVDS Signal Waveform:

Use RxOCLK- & RxOCLK+ as example.



b. AC Characteristics:

Symbol	Description	Min	Max	Unit	Remark
F_{DEV}	Maximum deviation of input clock frequency during Spread Spectrum	-	± 3	%	
F_{MOD}	Maximum modulation frequency of input clock during Spread Spectrum	-	200	KHz	



F_{clk}: LVDS Clock Frequency

3.4.5 Input Timing Specification

It only support DE mode, and the input timing are shown as the following table.

Symbol	Description		Min.	Typ.	Max.	Unit	Remark
Tv	Vertical Section	Period	1092	1130	1793	Th	
Tdisp (v)		Active	1080	1080	1080	Th	
Tblk (v)		Blanking	12	50	713	Th	
Fv		Frequency	49	60	76	Hz	
Th	Horizontal Section	Period	1004	1050	1100	Tclk	
Tdisp (h)		Active	960	960	960	Tclk	
Tblk (h)		Blanking	44	90	140	Tclk	
Fh		Frequency	54	68	90	KHz	Note 3-3
Tclk	LVDS Clock	Period	11.1	14.0	18.2	ns	1/Fclk
Fclk		Frequency	53.7	71.2	90.0	MHz	Note 3-4

Note 3-3: The equation is listed as following. Please don't exceed the above recommended value.

$$Fh (\text{Min.}) = Fclk (\text{Min.}) / Th (\text{Min.});$$

$$Fh (\text{Typ.}) = Fclk (\text{Typ.}) / Th (\text{Typ.});$$

$$Fh (\text{Max.}) = Fclk (\text{Max.}) / Th (\text{Min.});$$

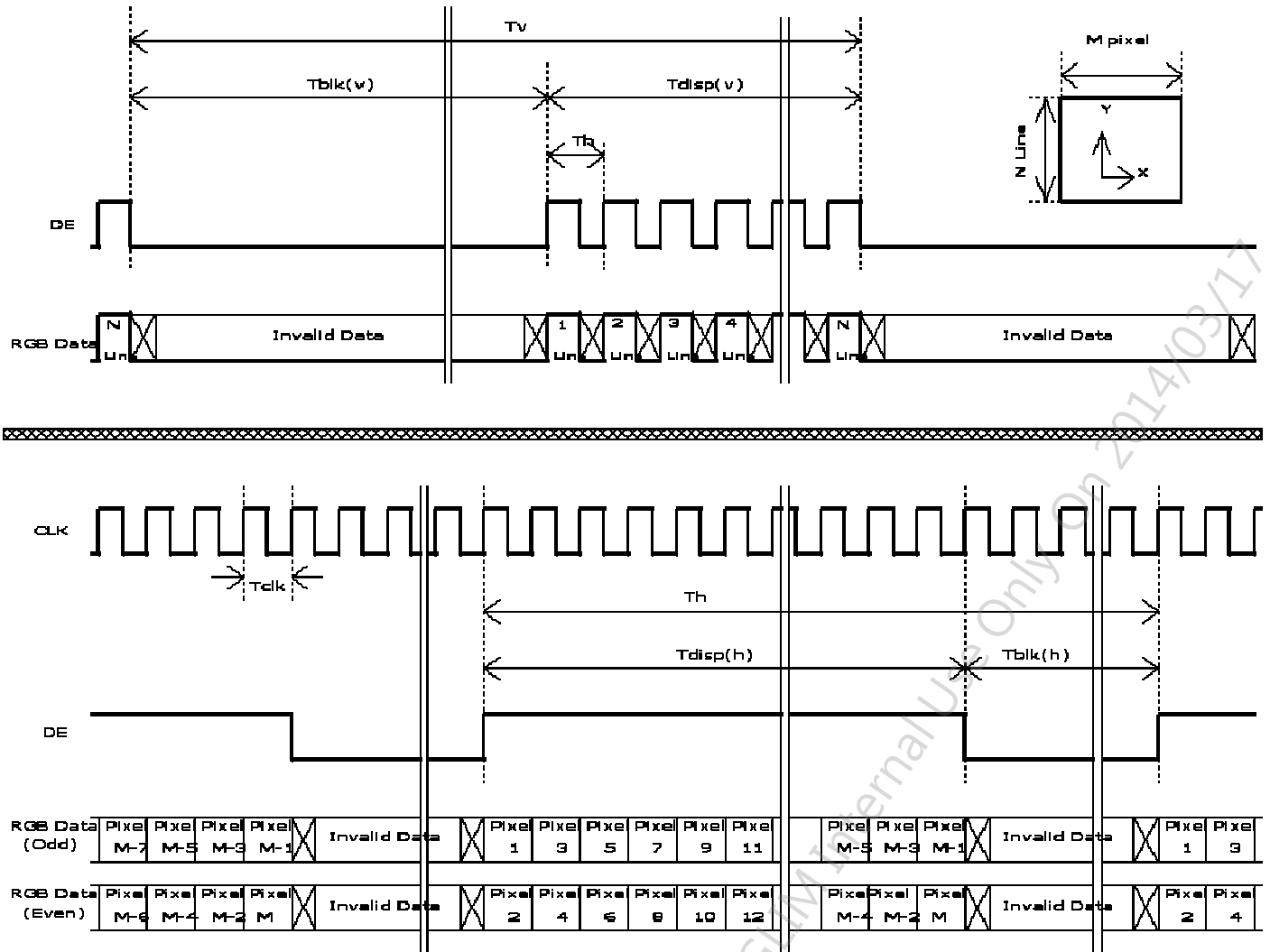
Note 3-4: The equation is listed as following. Please don't exceed the above recommended value.

$$Fclk (\text{Min.}) = Fv (\text{Min.}) \times Th (\text{Min.}) \times Tv (\text{Min.});$$

$$Fclk (\text{Typ.}) = Fv (\text{Typ.}) \times Th (\text{Typ.}) \times Tv (\text{Typ.});$$

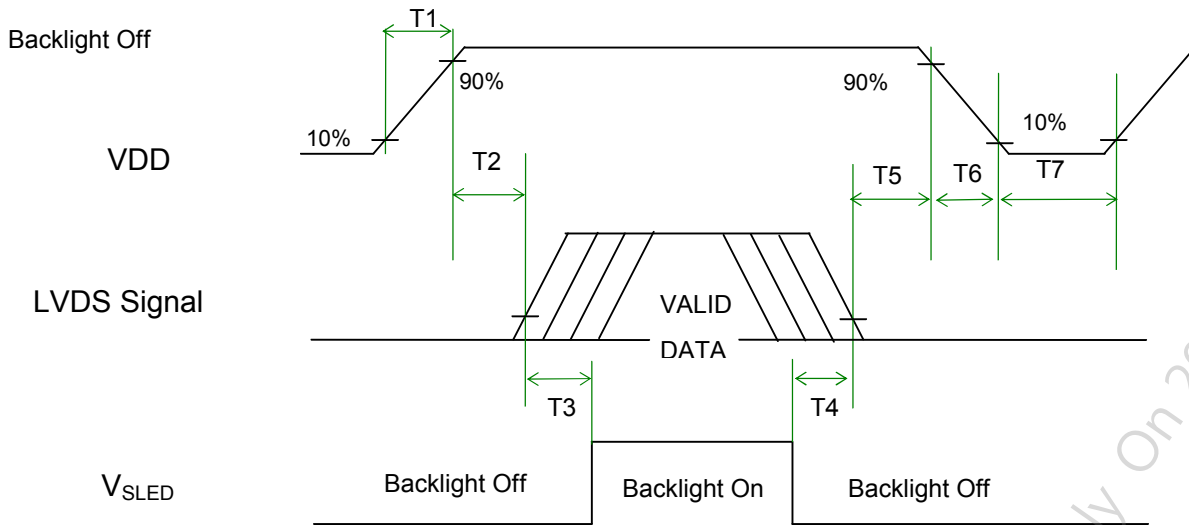
$$Fclk (\text{Max.}) = Fv (\text{Max.}) \times Th (\text{Typ.}) \times Tv (\text{Typ.});$$

3.4.6 Input Timing Diagram



3.5 Power ON/OFF Sequence

VDD power, LVDS signal and backlight on/off sequence are as following. LVDS signals from any system shall be Hi-Z state when VDD is off.



Power Sequence Timing

Symbol	Value			Unit	Remark
	Min.	Typ.	Max.		
T1	0.5	-	10	[ms]	
T2	0	-	50	[ms]	
T3	500	-	-	[ms]	
T4	100	-	-	[ms]	
T5	0	-	50	[ms]	Note 3-5 Note 3-6
T6	0	-	150	[ms]	Note 3-6
T7	1000	-	-	[ms]	

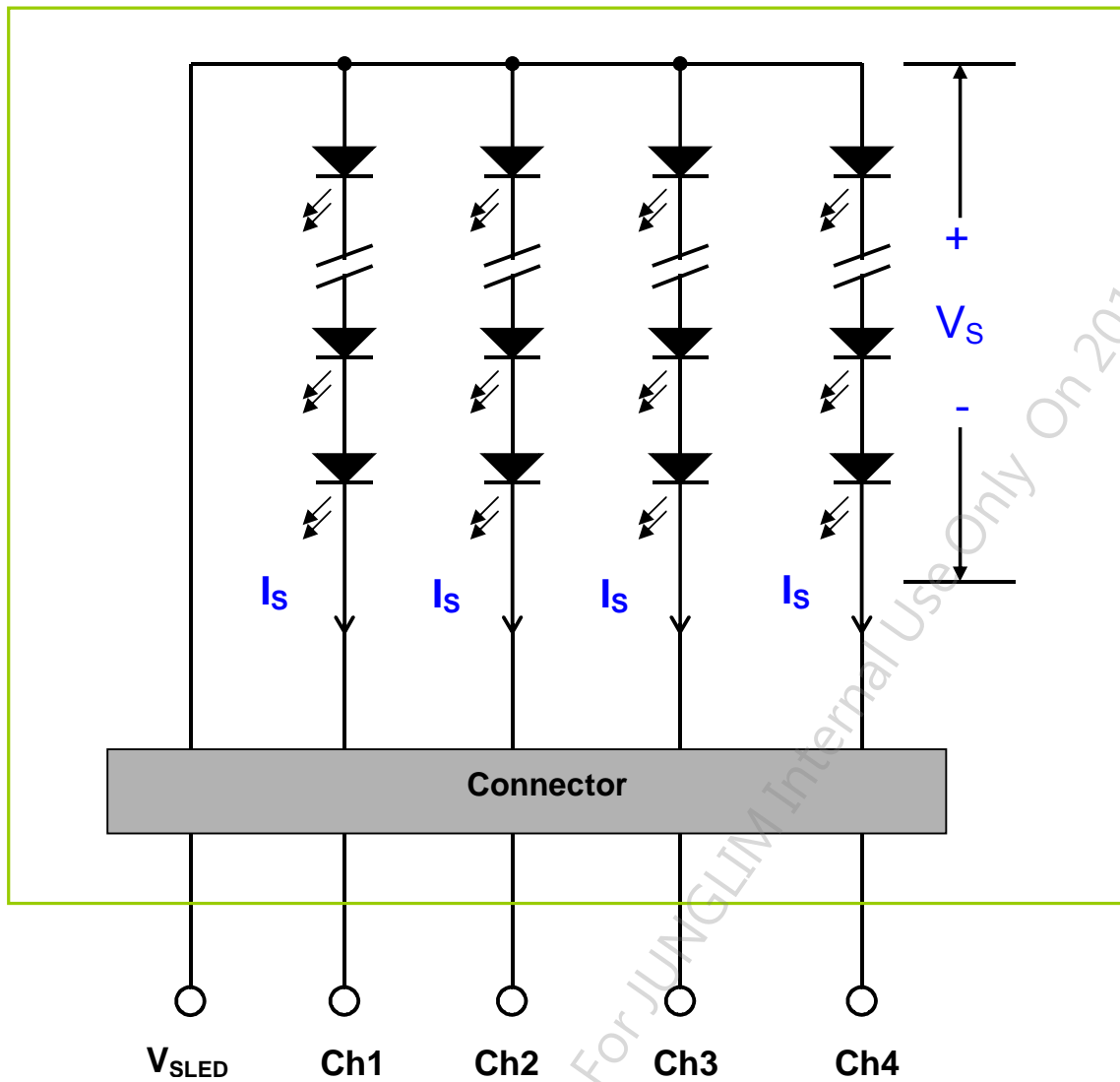
Note 3-5 : Recommend setting T5 = 0ms to avoid electronic noise when VDD is off.

Note 3-6 : During T5 and T6 period , please keep the level of input LVDS signals with Hi-Z state.

4 Backlight Unit

4.1 Block Diagram

The following shows the block diagram of the 23.8 inch Backlight Unit. And it includes 68 pcs LED in the LED light bar. (4 strings and 17 pcs LED of one string).



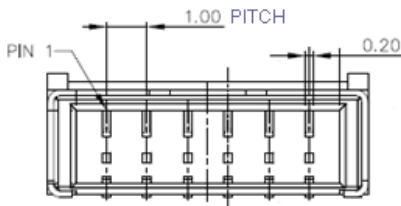
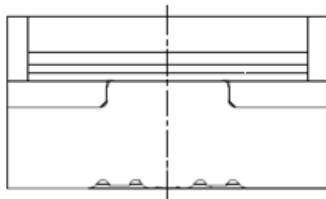
4.2 Interface Connection

4.2.1 Connector Type

Backlight Connector	Manufacturer	ENTERY
	Part Number	3707K-S06N-21R (BLACK) (Locking Type, Wire Harness)
Mating Connector	Manufacturer	ENTERY or Equivalent
	Part Number	H112K-P06N-00B (Non-Locking type) H112K-P06N-03B (Locking type)

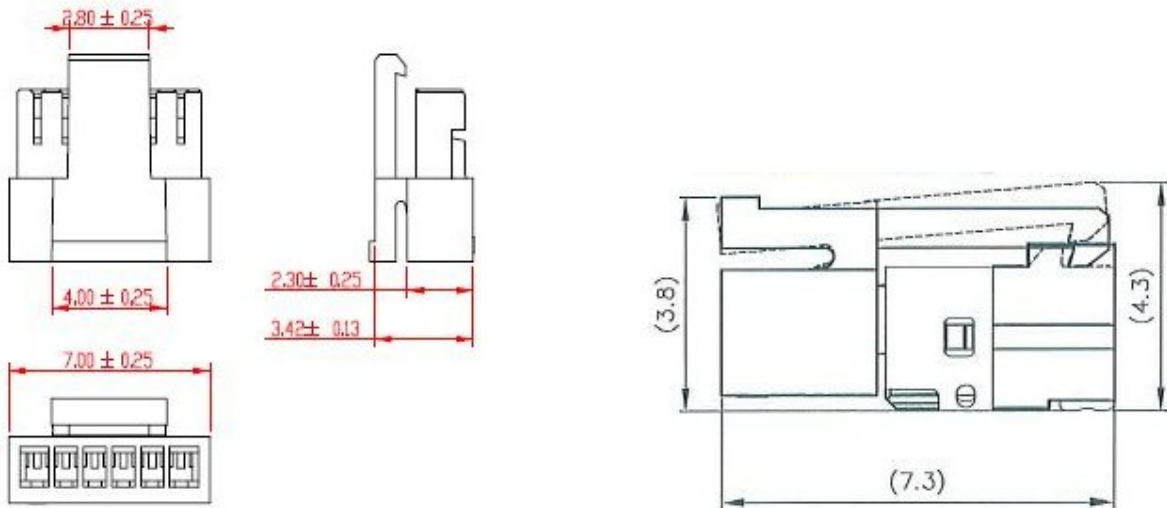
Backlight Connector dimension:

$H \times V \times D = 7.9 \times 3.05 \times 4.25$, Pitch=1.0 (unit=mm)



AUO Confidential For JUNGLIM Internal Use Only On 2014/03/17

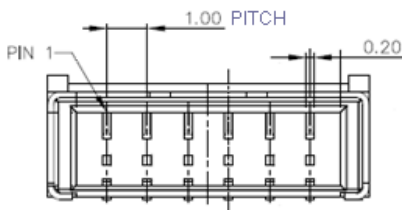
Mating Connector dimension:



AUO Confidential For JUNGLIM Internal Use Only On 2014/03/17

4.2.2 Connector Pin Assignment

Pin#	Symbol	Description	Remark
1	Ch1	LED Current Feedback Terminal (Channel 1)	
2	Ch2	LED Current Feedback Terminal (Channel 2)	
3	V _{SLED}	LED Power Supply Voltage Input Terminal	
4	V _{SLED}	LED Power Supply Voltage Input Terminal	
5	Ch3	LED Current Feedback Terminal (Channel 3)	
6	Ch4	LED Current Feedback Terminal (Channel 4)	



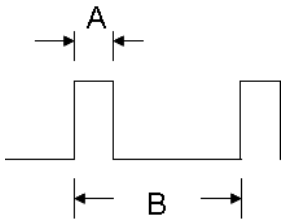
4.3 Electrical Characteristics

4.3.1 Absolute Maximum Rating

Permanent damage may occur if exceeding the following maximum rating.

(Ta=25 °C)

Symbol	Description	Min	Max	Unit	Remark
Is	LED String Current	0	90	[mA]	100% duty ratio
			150	[mA]	Duty ratio 10% Pulse time=10 ms



Duty ratio= (A / B) X 100% ; (A: Pulse time, B: Period)

4.3.2 Recommended Operating Condition

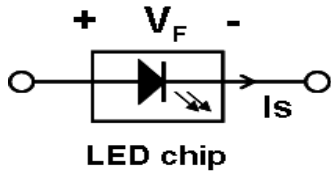
(Ta=25 °C)

Symbol	Description	Min.	Typ.	Max.	Unit	Remark
Is	LED String Current	-	70	77	[mA]	100% duty ratio of LED chip
Vs	LED String Voltage	47.6	54.4	61.2	[Volt]	Is=70mA @ 100% duty ratio; Note 4-1, Note 4-5
ΔVs	Maximum Vs Voltage Deviation of light bar	-	-	3.4	[Volt]	Is=70mA @ 100% duty ratio; Note 4-2
P _{BLU}	LED Light Bar Power Consumption	-	15.2	17.1	[Watt]	Note 4-3
LT _{LED}	LED Life Time	30,000	-	-	[Hour]	Note 4-4
OVP	Over Voltage Protection in system board	110% Vs (max)	-	-	[Volt]	Note 4-5

Note 4-1: V_s (Typ.) = V_F (Typ.) X LED No. (one string);

a. V_F : LED chip forward voltage, V_F (Min.)=2.8V, V_F (Typ.)=3.2V, V_F (Max.)=3.6V

b. The same equation to calculate V_s (Min.) & V_s (Max.) for respective V_F (Min.) & V_F (Max.);



Note 4-2: ΔV_s (Max.) = ΔV_F X LED No. (one string);

a. ΔV_F : LED chip forward voltage deviation; (0.2 V , each Bin of LED V_F)

Note 4-3: P_{BLU} (Typ.) = V_s (Typ.) X I_s (Typ.) X 4 ; (4 is total String No. of LED Light bar)

P_{BLU} (Max.) = V_s (Max.) X I_s (Typ.) X 4 ;

Note 4-4: Definition of life time:

a. Brightness of LED becomes to 50% of its original value

b. Test condition: I_s = 70mA and 25 (Room Temperature)

Note 4-5: Recommendation for LED driver power design:

Due to there are electrical property deviation in LED & monitor set system component after long time operation. AUO strongly recommend the design value of LED driver board OVP (over voltage protection) should be 10% higher than max. value of LED string voltage (V_s) at least.

Note 4-6: AUO strongly recommend “ Analog Dimming ” method for backlight brightness control for Wavy Noise Free. Otherwise, recommend that Dimming Control Signal (PWM Signal) should be synchronized with Frame Frequency.

5 Reliability Test

AUO reliability test items are listed as following table. (*Bare Panel only*)

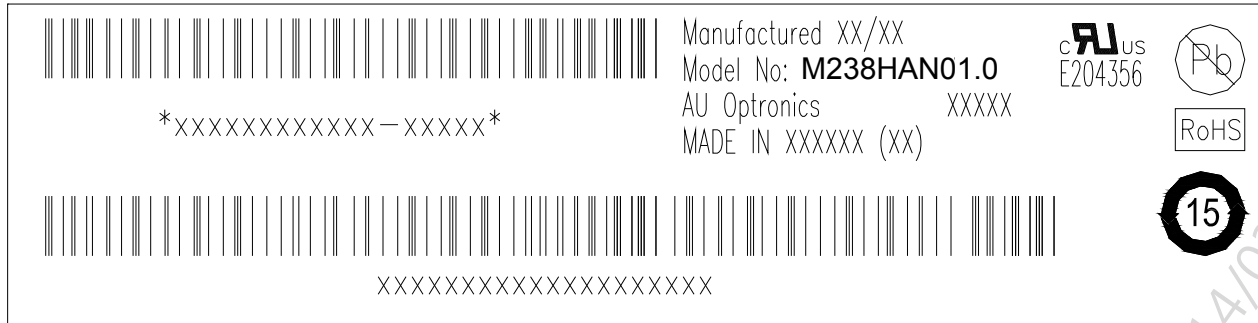
Items	Condition	Remark
Temperature Humidity Bias (THB)	Ta= 50 , 80%RH, 300hours	
High Temperature Operation (HTO)	Ta= 50 , 50%RH, 300hours	
Low Temperature Operation (LTO)	Ta= 0 , 300hours	
High Temperature Storage (HTS)	Ta= 60 , 300hours	
Low Temperature Storage (LTS)	Ta= -20 , 300hours	
Vibration Test (Non-operation)	Acceleration: 1.5 Grms Wave: Random Frequency: 10 - 200 Hz Sweep: 30 Minutes each Axis (X, Y, Z)	
Shock Test (Non-operation)	Acceleration: 50 G Wave: Half-sine Active Time: 20 ms Direction: ±X, ±Y, ±Z (one time for each Axis)	
Thermal Shock Test (TST)	-20 /30min, 60 /30min, 100 cycles	Note 5-1
On/Off Test	On/10sec, Off/10sec, 30,000 cycles	
ESD (Electro Static Discharge)	Contact Discharge: ± 15KV, 150pF(330Ω) 1sec, 8 points, 25 times/ point.	Note 5-2
	Air Discharge: ± 15KV, 150pF(330Ω) 1sec 8 points, 25 times/ point.	
Altitude Test	Operation:18,000 ft Non-Operation:40,000 ft	

Note 5-1: a. A cycle of rapid temperature change consists of varying the temperature from -20 to 60 , and back again. Power is not applied during the test.
b. After finish temperature cycling, the unit is placed in normal room ambient for at least 4 hours before power on.

Note 5-2: EN61000-4-2, ESD class B: Certain performance degradation allowed
No data lost
Self-recoverable
No hardware failures.

6 Shipping Label

The label is on the panel as shown below:



Note 6-1: For Pb Free products, AUO will add for identification.

Note 6-2: For RoHS compatible products, AUO will add for identification.

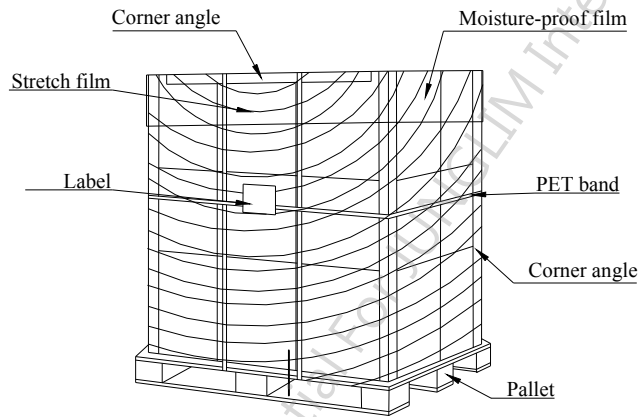
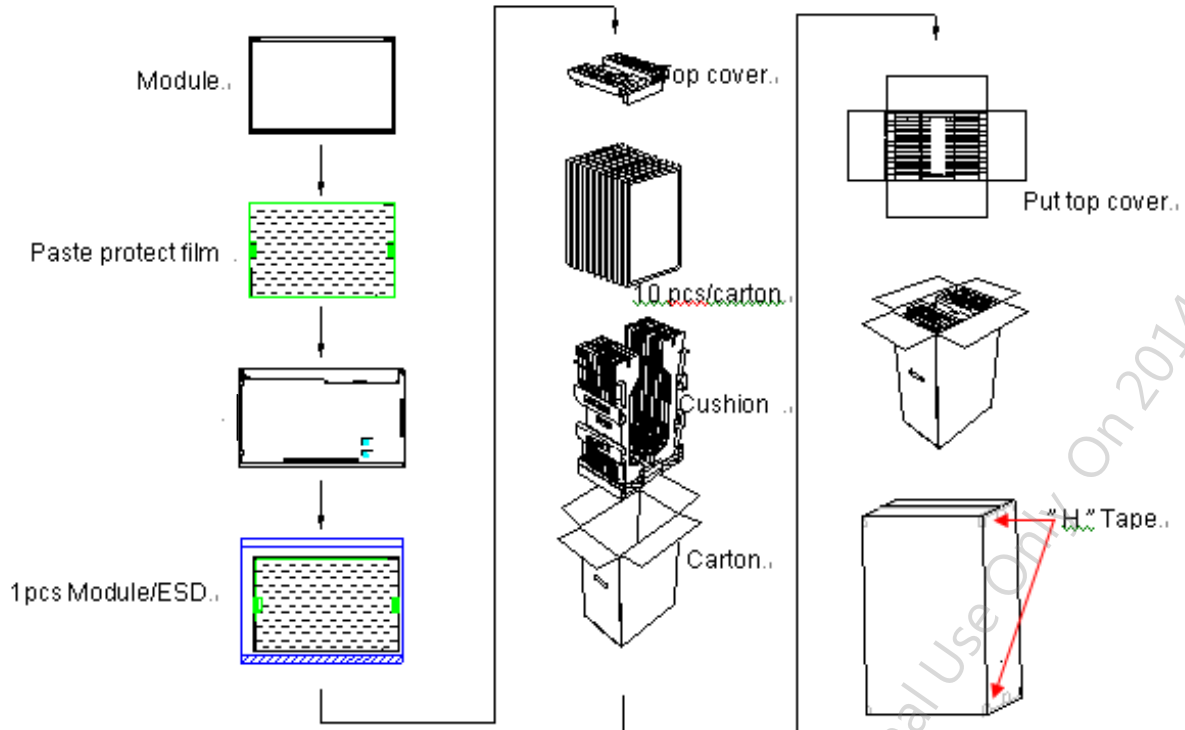
Note 6-3: For China RoHS compatible products, AUO will add for identification.

Note 6-4: The Green Mark will be presented only when the green documents have been ready by AUO Internal Green Team.

AUO Confidential For JUNGLIM Internal Use Only On 2014/03/17

8 Packing Specification

8.1 Packing Flow



8.2 Pallet and shipment information

Item	Specification			Remark
	Q'ty	Dimension	Weight(kg)	
Panel	1	543.0(H) x 317.4(V) x 11.2(D) (Typ.)	2.280	
Cushion	1	-	1.7	
Box	1	406(L)mm x 281(W)mm x 651(H)mm	1.2	without Panel & cushion
Packing Box	10 pcs/Box	406(L)mm x 281(W)mm x 651(H)mm	25.7	with panel & cushion
Pallet	1	1150(L)mm x 840(W)mm x 138(H)mm	12	
Pallet after Packing	16 boxes/pallet	1150(L)mm x 840(W)mm x 1440(H)mm	423.2	

AUO Confidential For JUNGLIM Internal Use Only On 2014/03/17