



# Product Specification

M240HTN01.0

AU OPTRONICS CORPORATION

( ) Preliminary Specification  
 ( V ) Final Specification

<b>Module</b>	24.0" Color TFT-LCD
<b>Model Name</b>	M240HTN01.0

Customer	Date
_____	_____
<b>Approved by</b>	
_____	_____
Note: This Specification is subject to change without notice.	

Approved by	Date
<u>Howard Lee</u>	<u>2012/01/09</u>
<b>Prepared by</b>	
<u>Bernice Huang</u>	<u>2012/01/09</u>
Desktop Display Business Group / AU Optronics Corporation	



# Product Specification

M240HTN01.0

AU OPTRONICS CORPORATION

## Content

<b>1</b>	<b>HANDLING PRECAUTIONS</b>	<b>4</b>
<b>2</b>	<b>GENERAL DESCRIPTION</b>	<b>5</b>
2.1	Display Characteristics	5
2.2	Optical Characteristics	6
<b>3</b>	<b>FUNCTIONAL BLOCK DIAGRAM</b>	<b>10</b>
<b>4</b>	<b>ABSOLUTE MAXIMUM RATINGS</b>	<b>11</b>
4.1	TFT LCD Module	11
4.2	Backlight Unit	11
4.3	Absolute Ratings of Environment	11
<b>5</b>	<b>ELECTRICAL CHARACTERISTICS</b>	<b>12</b>
5.1	TFT LCD Module	12
5.1.1	Power Specification	12
5.1.2	Signal Electrical Characteristics	13
5.2	Backlight Unit	15
<b>6</b>	<b>SIGNAL CHARACTERISTICS</b>	<b>16</b>
6.1	Pixel Format Definition	16
6.2	Input Data Format Definition	16
6.3	Signal Description	17
6.4	Timing Characteristics	19
6.5	Timing Diagram	20
6.6	Power ON/OFF Sequence	21
<b>7</b>	<b>CONNECTOR AND PIN ASSIGNMENT</b>	<b>22</b>
7.1	TFT LCD Module	22
7.1.1	LVDS Connector Pin Assignment	22
7.2	Backlight Unit	23
7.2.1	Light Bar Connector Pin Assignment	23
7.2.2	Light Bar Connector Dimension	23
<b>8</b>	<b>RELIABILITY TEST</b>	<b>24</b>
<b>9</b>	<b>SHIPPING LABEL</b>	<b>25</b>
<b>10</b>	<b>MECHANICAL CHARACTERISTICS</b>	<b>26</b>
<b>11</b>	<b>PACKING SPECIFICATION</b>	<b>28</b>
11.1	Packing Flow	28
11.2	Pallet and Shipment Information	29





# Product Specification

M240HTN01.0

AU OPTRONICS CORPORATION

## 1 Handling Precautions

- 1) Since front polarizer is easily damaged, pay attention not to scratch it.
- 2) Be sure to turn off power supply when inserting or disconnecting from input connector.
- 3) Wipe off water drop immediately. Long contact with water may cause discoloration or spots.
- 4) When the panel surface is soiled, wipe it with absorbent cotton or other soft cloth.
- 5) Since the panel is made of glass, it may break or crack if dropped or bumped on hard surface.
- 6) Since CMOS LSI is used in this module, take care of static electricity and insure human earth when handling.
- 7) Do not open or modify the Module Assembly.
- 8) Do not press the reflector sheet at the back of the module to any directions.
- 9) In case if a Module has to be put back into the packing container slot after once it was taken out from the container, do not press the center of LED light bar edge. Instead, press at the far ends of the LED light bar edge softly. Otherwise the TFT Module may be damaged.
- 10) At the insertion or removal of the Signal Interface Connector, be sure not to rotate nor tilt the Interface Connector of the TFT Module.
- 11) After installation of the TFT Module into an enclosure, do not twist nor bend the TFT Module even momentary. At designing the enclosure, it should be taken into consideration that no bending/twisting forces are applied to the TFT Module from outside. Otherwise the TFT Module may be damaged.
- 12) Small amount of materials having no flammability grade is used in the LCD module. The LCD module should be supplied by power complied with requirements of Limited Power Source (IEC60950 or UL1950), or be applied exemption.
- 13) Avoid touching COF position while doing mechanical design.
- 14) While storing modules as spares for a long time, the following precautions are necessary:
  - Store modules in a dark place. Do not expose them to sunlight or fluorescent light.
  - Keep the temperature between 5°C and 35°C at normal humidity.



# Product Specification

M240HTN01.0

AU OPTRONICS CORPORATION

## 2 General Description

This specification applies to the 24 inch-FHD color a-Si TFT-LCD Module M240HTN01.0. The display supports the FHD - 1920(H) x 1080(V) screen format and 16.7M colors (RGB 6-bit + Hi-FRC data). The light source of this TFT-LCD module is W-LED. All input signals are 2-channel LVDS interface and this module doesn't contain a driver for backlight.

### 2.1 Display Characteristics

The following items are characteristics summary on the table under 25°C condition:

Items	Unit	Specification
Screen Diagonal	[mm]	609.7 (24.0")
Active Area	[mm]	531.36 (H) x 298.89 (V)
Pixels H x V		1920(x3) x 1080
Pixel Pitch	[um]	276.75 (per one triad) ×276.75
Pixel Arrangement		R.G.B. Vertical Stripe
Display Mode		TN Mode, Normally White
White Luminance ( Center )	[cd/m2]	250 cd/m2 (Typ.)
Contrast Ratio		1000 (Typ.)
Optical Response Time	[msec]	5ms (Typ., on/off)
Nominal Input Voltage VDD	[Volt]	+ 5.0 V
Power Consumption (VDD line + LED line)	[Watt]	17.55 watt (Typ. without inverter, all black pattern @ 60Hz)
Weight	[g]	2,065 gram (Typ.)
Physical Size	[mm]	556.0 (W) x 323.2 (H) x 11.5(D) (Typ.)
Electrical Interface		Dual channel LVDS
Support Color		16.7M colors (RGB 6-bit + Hi_FRC)
Surface Treatment		Anti-Glare, 3H
Temperature Range		
Operating	[°C]	0 to +50
Storage (Shipping)	[°C]	-20 to +60
RoHS Compliance		RoHS Compliance
TCO Compliance		TCO 5.1 Compliance



# Product Specification

M240HTN01.0

AU OPTRONICS CORPORATION

## 2.2 Optical Characteristics

The optical characteristics are measured under stable conditions at 25°C:

Item	Unit	Conditions	Min.	Typ.	Max.	Note
Viewing Angle	[degree]	Horizontal (Right)	75	85	-	<b>2</b>
		CR = 10 (Left)	75	85	-	
		Vertical (Up)	70	80	-	
		CR = 10 (Down)	70	80	-	
Contrast Ratio		Normal Direction	600	1000	-	<b>3</b>
Response Time	[msec]	Rising Time (TrR)	-	3.5	7.4	<b>4</b>
		Falling Time (TrF)	-	1.5	2.6	
		Rising + Falling	-	5	10	
Color / Chromaticity Coordinates (CIE)		Red x	0.614	0.644	0.674	<b>5</b>
		Red y	0.302	0.332	0.362	
		Green x	0.307	0.337	0.367	
		Green y	0.590	0.62	0.650	
		Blue x	0.122	0.152	0.182	
		Blue y	0.022	0.052	0.082	
Color Coordinates (CIE) White		White x	0.283	0.313	0.343	<b>5</b>
		White y	0.299	0.329	0.359	
Central Luminance	[cd/m <sup>2</sup> ]		200	250	-	<b>6</b>
Luminance Uniformity	[%]		75	80	-	<b>7</b>
Crosstalk (in 60Hz)	[%]				1.5	<b>8</b>
Flicker	dB				-20	<b>9</b>



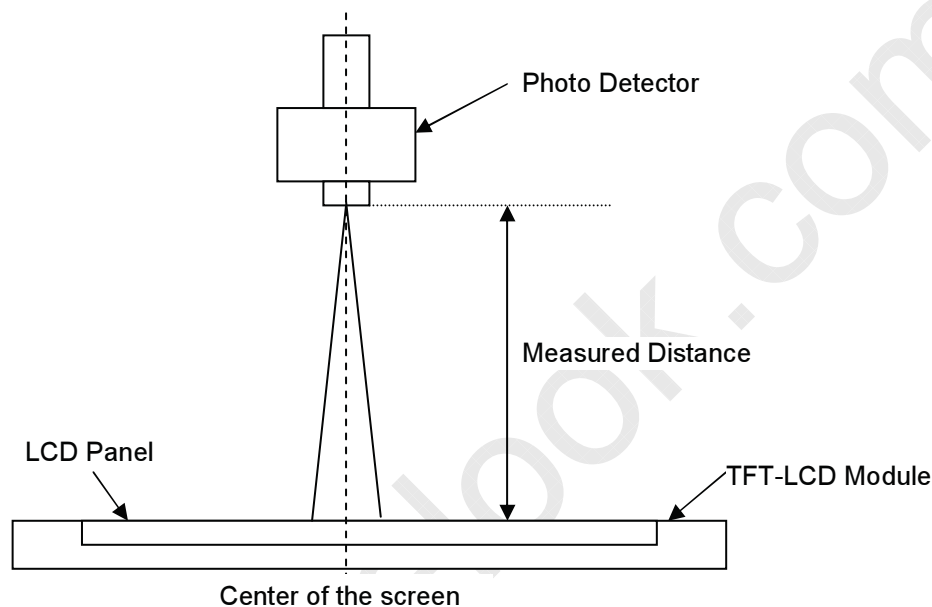
# Product Specification

M240HTN01.0

AU OPTRONICS CORPORATION

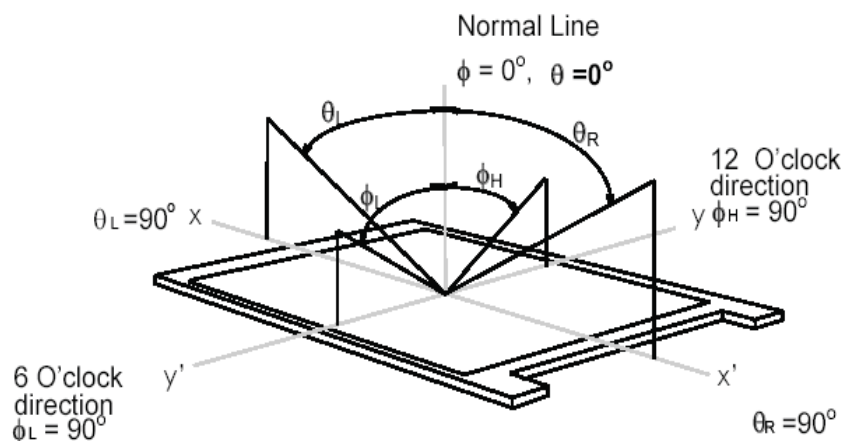
## Note 1: Measurement Method

The LCD module should be stabilized at given temperature for 30 minutes to avoid abrupt temperature change during measuring (at surface 35°C). In order to stabilize the luminance, the measurement should be executed after lighting Backlight for 30 minutes in a stable, windless and dark room.



## Note 2: Definition of Viewing Angle measured by ELDIM (EZContrast 88)

Viewing angle is the measurement of contrast ratio  $\geq 10$ , at the screen center, over a 180° horizontal and 180° vertical range (off-normal viewing angles). The 180° viewing angle range is broken down as follows; 90° ( $\theta$ ) horizontal left and right and 90° ( $\Phi$ ) vertical, high (up) and low (down). The measurement direction is typically perpendicular to the display surface with the screen rotated about its center to develop the desired measurement viewing angle.





# Product Specification

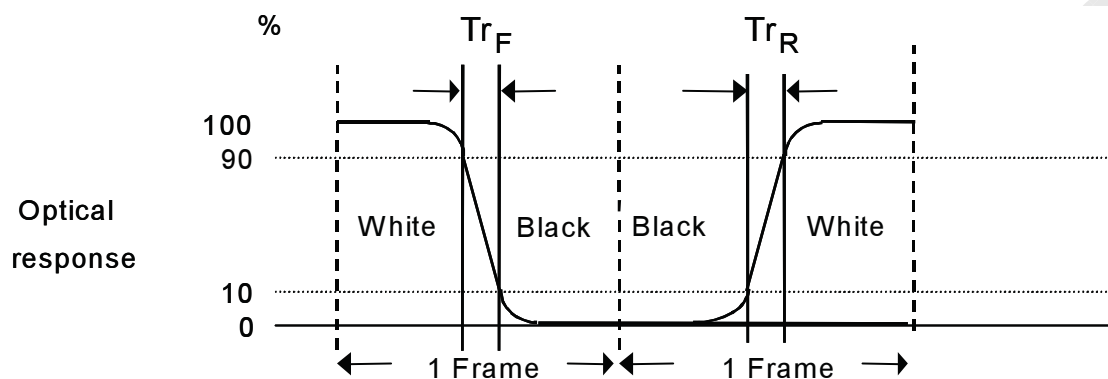
M240HTN01.0

AU OPTRONICS CORPORATION

**Note 3: Contrast Ratio** measured by TOPCON SR-3

**Note 4: Response Time** measured by Westar TRD-100A

The output signals of photo detector are measured when the input signals are changed from "Full Black" to "Full White" (rising time,  $Tr_R$ ), and from "Full White" to "Full Black" (falling time,  $Tf_F$ ), respectively. The response time is interval between the 10% and 90% (1 frame at 60 Hz) of amplitudes.

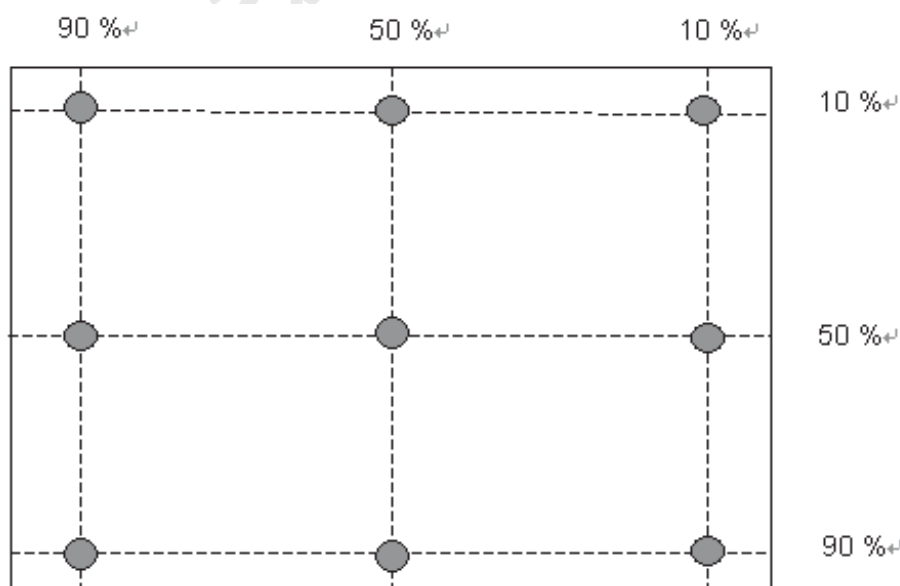


$Tr_R + Tf_F = 5$  msec (typ.).

**Note 5: Color Chromaticity and Coordinates (CIE)** measured by TOPCON SR-3

**Note 6: Central Luminance** measured by TOPCON SR-3

**Note 7: Luminance Uniformity** of these 9 points defined as below and measured by TOPCON SR-3



$$\text{Uniformity} = \frac{\text{Minimum Luminance in 9 points (1-9)}}{\text{Maximum Luminance in 9 Points (1-9)}}$$





# Product Specification

M240HTN01.0

AU OPTRONICS CORPORATION

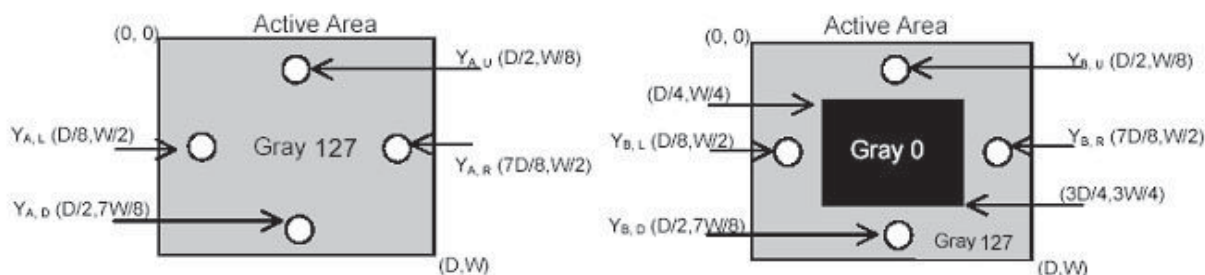
**Note 8: Crosstalk** defined as below and measured by TOPCON SR-3

$$CT = | YB - YA | / YA \times 100 (\%)$$

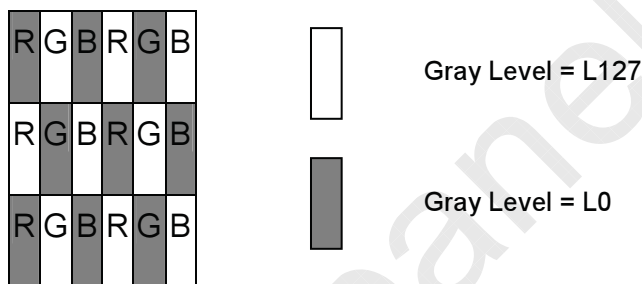
Where

YA = Luminance of measured location without gray level 0 pattern (cd/m2)

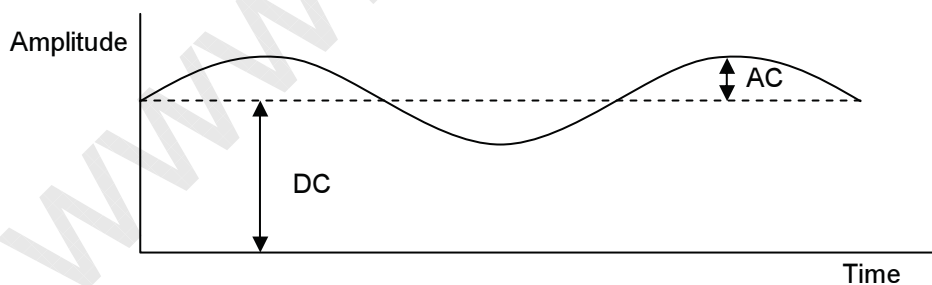
YB = Luminance of measured location with gray level 0 pattern (cd/m2)



**Note 9: Test Pattern Sub-checker Pattern** measured by TOPCON SR-3



Method: Record dBV & DC value with TRD-100



$$\text{Flicker (dB)} = 20 \log \frac{\text{AC Level(at 30 Hz)}}{\text{DC Level}}$$



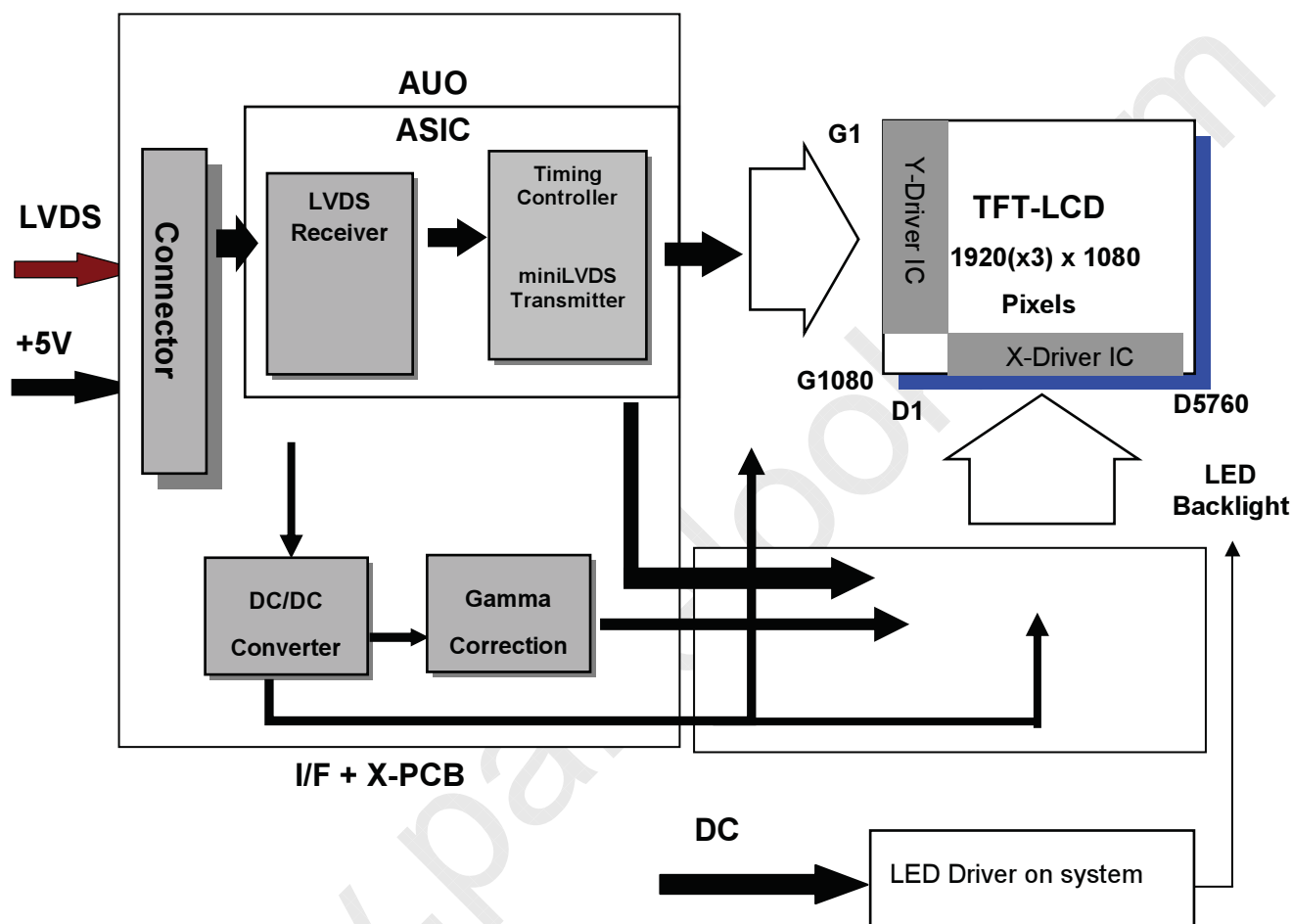
# Product Specification

M240HTN01.0

AU OPTRONICS CORPORATION

## 3 Functional Block Diagram

The following diagram shows the functional block of the 24.0 inch Color TFT-LCD Module:



### I/F PCB Interface:

FI-XPB30SRLA-HF11  
01-187121-30091-3(A)  
MSCK2407P30

### Mating Type:

FI-X30HL(Locked Type)



# Product Specification

M240HTN01.0

AU OPTRONICS CORPORATION

## 4 Absolute Maximum Ratings

Absolute maximum ratings of the module are listed as follows:

### 4.1 TFT LCD Module

Item	Symbol	Min	Max	Unit	Conditions
Logic/LCD Drive	VDD	0	6.0	[Volt]	<b>Note 1, 2</b>

### 4.2 Backlight Unit

Item	Symbol	Min	Max	Unit	Conditions
LED Current	ILED	-	126	[mA]	<b>Note 1, 2</b>

### 4.3 Absolute Ratings of Environment

Item	Symbol	Min.	Max.	Unit	Conditions
Operating Temperature	TOP	0	+50	[°C]	<b>Note 3</b>
Glass Surface Temperature (Operation)	TGS	0	+65	[°C]	<b>Note3 Note4</b>
Operation Humidity	HOP	5	90	[%RH]	<b>Note 3</b>
Storage Temperature	TST	-20	+60	[°C]	
Storage Humidity	HST	5	90	[%RH]	

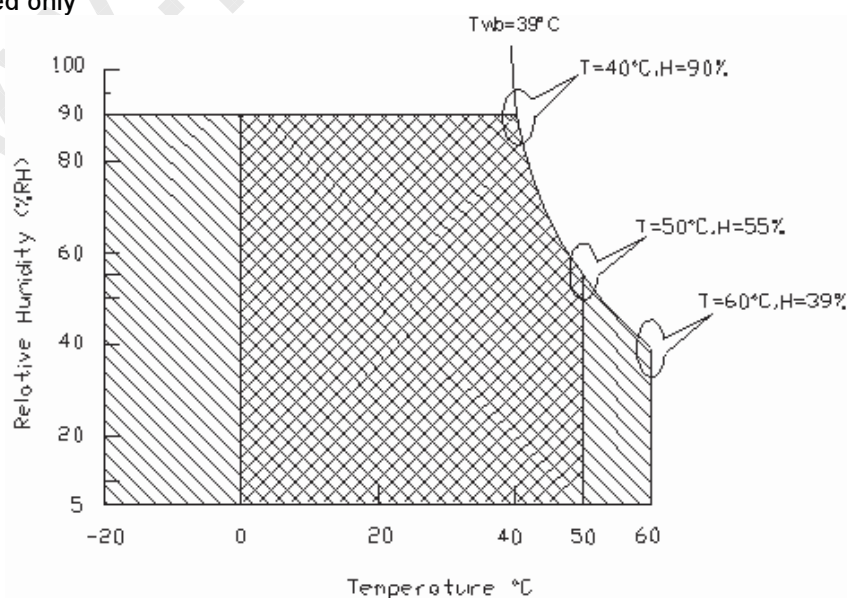
**Note 1:** With in Ta (25 °C)

**Note 2:** Permanent damage to the device may occur if exceeding maximum values

**Note 3:** Temperature and relative humidity range are shown as the below figure.

1. 90% RH Max ( Ta ≤ 39°C)
2. Max wet-bulb temperature at 39°C or less. ( Ta ≤ 39°C)
3. No condensation

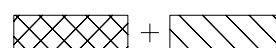
**Note 4:** Function Judged only



Operating Range



Storage Range





# Product Specification

M240HTN01.0

AU OPTRONICS CORPORATION

## 5 Electrical Characteristics

### 5.1 TFT LCD Module

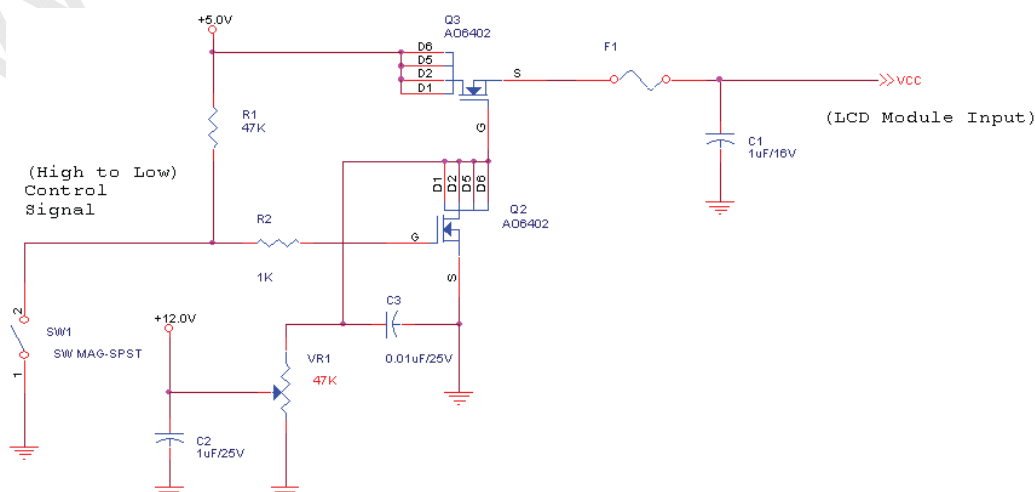
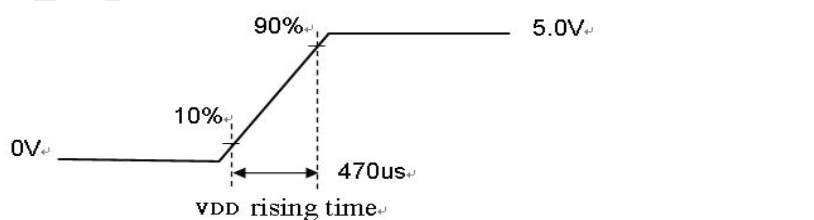
#### 5.1.1 Power Specification

Input power specifications are listed as follows:

Symbol	Description	Min	Typ.	Max	Unit	Conditions
VDD	Logic/LCD Drive Voltage	4.5	5.0	5.5	[Volt]	+/-10%
IDD1	Input Current	-	0.65	0.78	[A]	VDD= 5.0V, All Black Pattern at 60 Hz
		-	0.8	0.96	[A]	VDD= 5.0V, All Black Pattern at 75 Hz
PDD1	VDD Power	-	3.25	3.9	[Watt]	VDD= 5.0V, All Black Pattern at 60 Hz
		-	4	4.8	[Watt]	VDD= 5.0V, All Black Pattern at 75 Hz
IRush	Inrush Current	-	-	3	[A]	<b>Note 1</b>
VDDrp	Allowable Logic/LCD Drive Ripple Voltage	-	-	500	[mV] p-p	VDD= 5.0V, All Black Pattern at 75 Hz

#### Note 1: Measurement Conditions:

The duration of rising time of power input is 470 us.





# Product Specification

M240HTN01.0

AU OPTRONICS CORPORATION

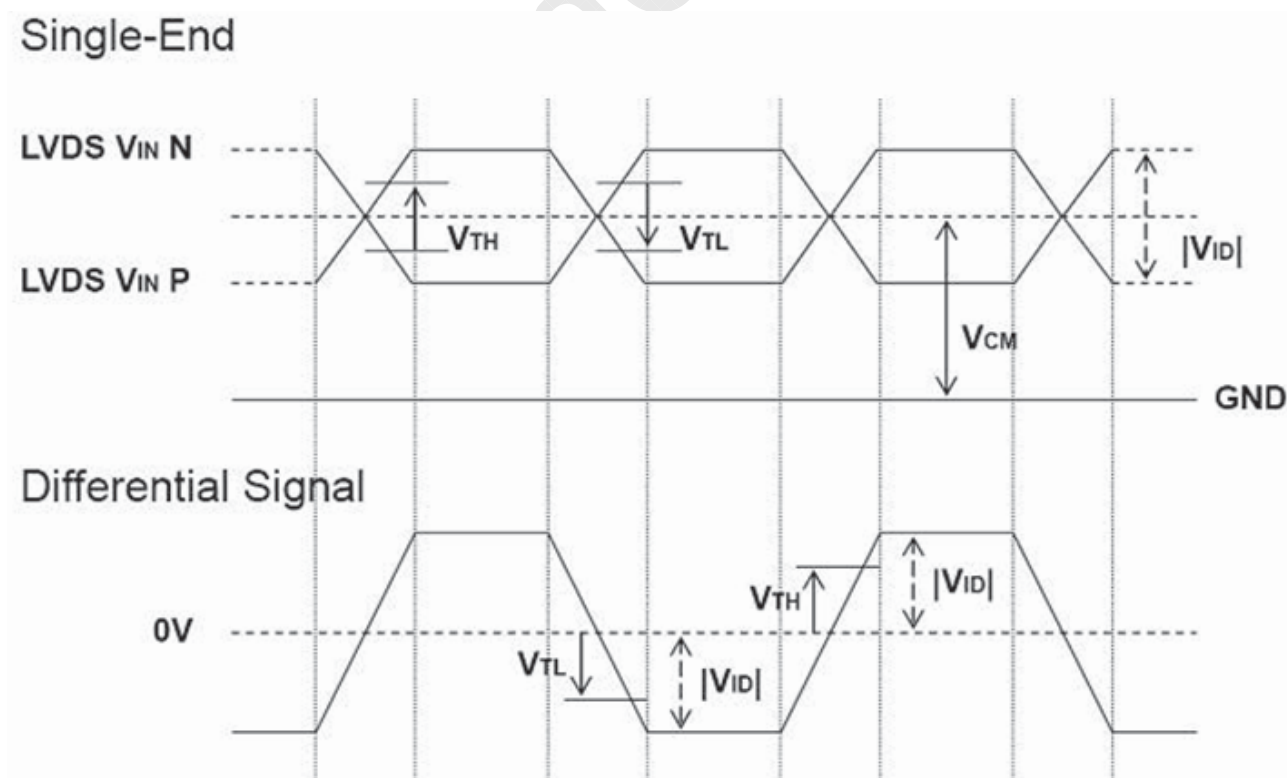
## 5.1.2 Signal Electrical Characteristics

Input signals shall be low or Hi-Z state when VDD is off. Please refer to specifications of SN75LVDS82DGG (Texas Instruments) in detail.

1) Characteristics of each signal are listed as follows:

Symbol	Description	Min	Typ	Max	Units	Conditions
$V_{TH}$	Differential Input High Threshold	-	+50	+100	[mV]	$V_{CM} = 1.2V$ <b>Note 1</b>
$V_{TL}$	Differential Input Low Threshold	-100	-50	-	[mV]	$V_{CM} = 1.2V$ <b>Note 1</b>
$ V_{ID} $	Input Differential Voltage	100	-	600	[mV]	<b>Note 1</b>
$V_{CM}$	Differential Input Common Mode Voltage	+1.0	+1.2	+1.5	[V]	$V_{TH}-V_{TL} = 200MV$ (max) <b>Note 1</b>

**Note 1:** LVDS Signal Waveform





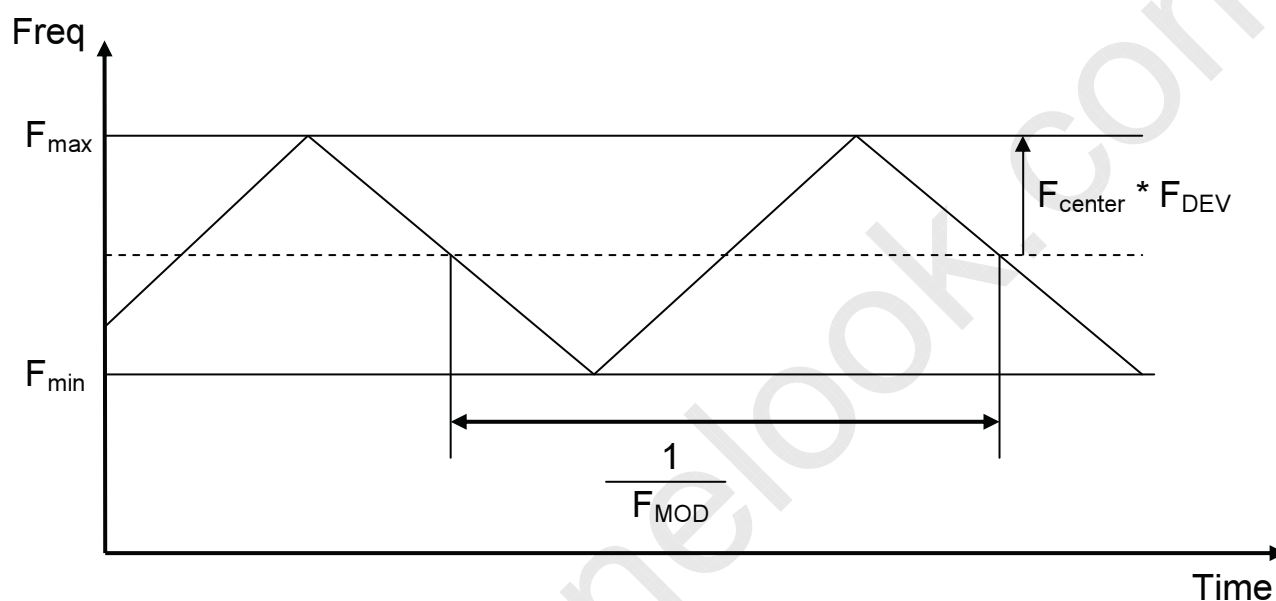
# Product Specification

M240HTN01.0

AU OPTRONICS CORPORATION

## 2) AC Characteristics

Symbol	Description	Min	Max	Units	Conditions
$F_{DEV}$	Maximum deviation of input clock frequency during SSC	-	$\pm 3$	%	
$F_{MOD}$	Maximum modulation frequency of input clock during SSC	-	300	KHz	



< Spread Spectrum >



# Product Specification

M240HTN01.0

AU OPTRONICS CORPORATION

## 5.2 Backlight Unit

Parameter guideline for LED driving is under stable conditions at 25 °C (Room Temperature):

Symbol	Description	Min.□	Typ.	Max.	Unit	Note
IRLED	LED Operation Current	-	120	126	[mA] <b>Note 1</b>	Operating in fixed driving current
VLB	Light Bar Operation Voltage (for reference)	-	29.7	32.4	[Volt] <b>Note 2</b>	
PBLU	BLU Power Consumption (for reference)	-	14.3	16.3	[Watt]	
LTLED	LED Life Time (Typical)	30,000	-	-	[Hour] <b>Note 3</b>	

**Note 1:** The specified current is 100% duty of LED chip input current.

**Note 2:** The value showed is one light bar's operation voltage.

**Note 3:** Definition of life time: Brightness becomes to 50% of its original value. The minimum life time of LED unit is on the condition of  $I_{R_{LED}} = 120\text{mA}$  and  $25 \pm 2^\circ\text{C}$  (Room Temperature).

**Note 4:** Each module consists of 36 pcs LED ( 4 strings x 9 pcs / string )



# Product Specification

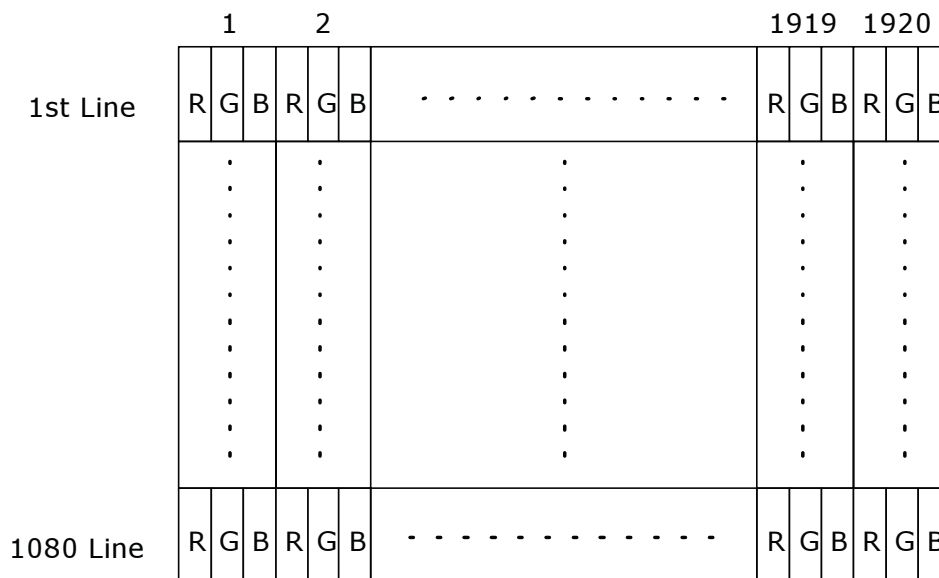
M240HTN01.0

AU OPTRONICS CORPORATION

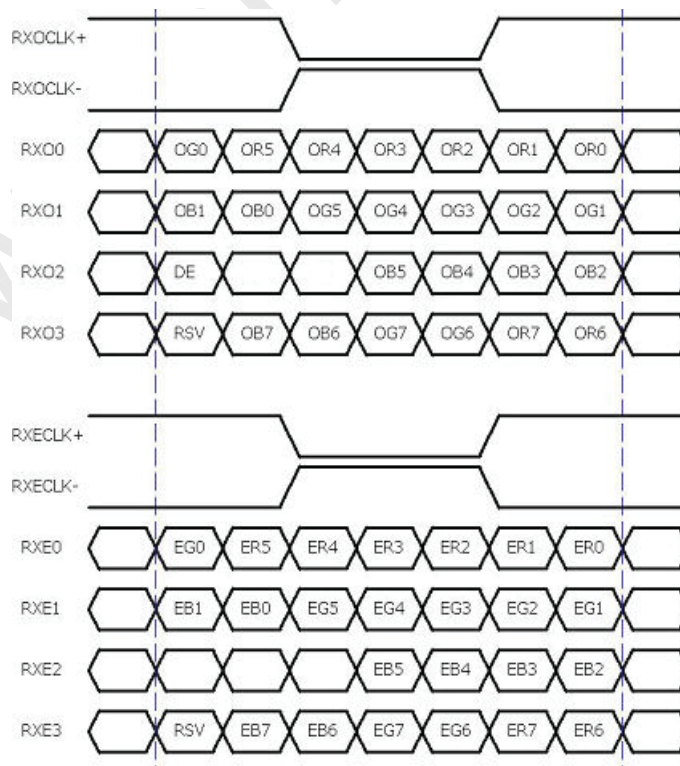
## 6 Signal Characteristics

### 6.1 Pixel Format Definition

Following figure shows the relationship between the input signals and LCD pixel format.



### 6.2 Input Data Format Definition



**Note 1:** R/G/B data 7:MSB, R/G/B data 0:LSB O = "Odd Pixel Data" E = "Even Pixel Data"





# Product Specification

M240HTN01.0

AU OPTRONICS CORPORATION

## 6.3 Signal Description

The module uses one LVDS receiver SN75LVDS82 (Texas Instruments). LVDS is a differential signal technology and high speed data transfer interface for LCD device. LVDS transmitter shall be SN75LVDS83 (negative edge sampling). The first LVDS port (RxOxxx) transmits odd pixels while the second LVDS port (RxExxx) transmits even pixels.

PIN #	Signal Name	Description
1	RxOIN0-	Negative LVDS differential data input (Odd data)
2	RxOIN0+	Positive LVDS differential data input (Odd data)
3	RxOIN1-	Negative LVDS differential data input (Odd data)
4	RxOIN1+	Positive LVDS differential data input (Odd data)
5	RxOIN2-	Negative LVDS differential data input (Odd data, DSPTMG)
6	RxOIN2+	Positive LVDS differential data input (Odd data, DSPTMG)
7	GND	Power Ground
8	RxOCLK-	Negative LVDS differential clock input (Odd clock)
9	RxOCLK+	Positive LVDS differential clock input (Odd clock)
10	RxOIN3-	Negative LVDS differential data input (Odd data)
11	RxOIN3+	Positive LVDS differential data input (Odd data)
12	RxEIN0-	Negative LVDS differential data input (Even data)
13	RxEIN0+	Positive LVDS differential data input (Even data)
14	GND	Power Ground
15	RxEIN1-	Negative LVDS differential data input (Even data)
16	RxEIN1+	Positive LVDS differential data input (Even data)
17	GND	Power Ground
18	RxEIN2-	Negative LVDS differential data input (Even data)
19	RxEIN2+	Positive LVDS differential data input (Even data)
20	RxECLK-	Negative LVDS differential clock input (Even clock)
21	RxECLK+	Positive LVDS differential clock input (Even clock)
22	RxEIN3-	Negative LVDS differential data input (Even data)
23	RxEIN3+	Positive LVDS differential data input (Even data)
24	GND	Power Ground
25	NC	No connection (for AUO test only. Do not connect)
26	NC	No connection (for AUO test only. Do not connect)
27	NC	No connection (for AUO test only. Do not connect)
28	VDD	Power +5V
29	VDD	Power +5V
30	VDD	Power +5V

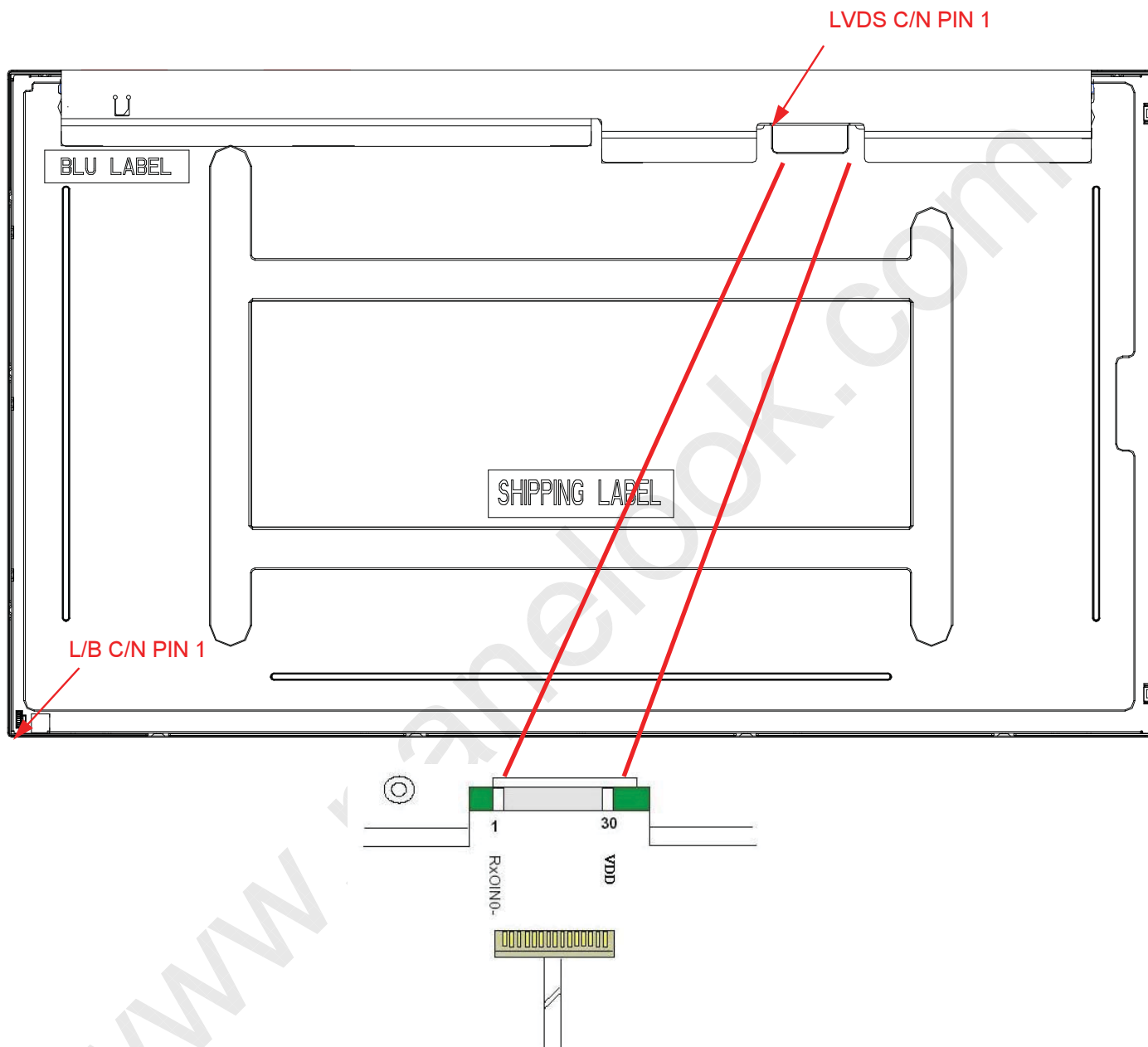


# Product Specification

M240HTN01.0

AU OPTRONICS CORPORATION

**Note 1:** LVDS connector Pin 1 starts from left side



**Note 2:** Input signals of odd and even clock shall be the same timing.



# Product Specification

M240HTN01.0

AU OPTRONICS CORPORATION

## 6.4 Timing Characteristics

Basically, interface timing described here is not actual input timing of LCD module but close to output timing of SN75LVDS82DGG (Texas Instruments) or equivalent.

Item		Symbol	Min	Typ	Max	Unit
V-section	Period	Tv	1088	1120	2047	[Th]
	Display Area	Tdisp(v)	1080	1080	1080	[Th]
	Blanking	Tbp(v)+Tfp(v)+PWvs	8	40	967	[Th]
H-section	Period	Th	1034	1060	2047	[Tclk]
	Display Area	Tdisp(h)	960	960	960	[Tclk]
	Blanking	Tbp(h)+Tfp(h)+PWhs	74	100	1087	[Tclk]
Data CLK	Period	Tclk	25	13.3	11.1	ns
	Frequency	Freq	40	75	94	[MHz]
Frame Rate		F	50	60	75	[Hz]

**Note 1:** DE mode only

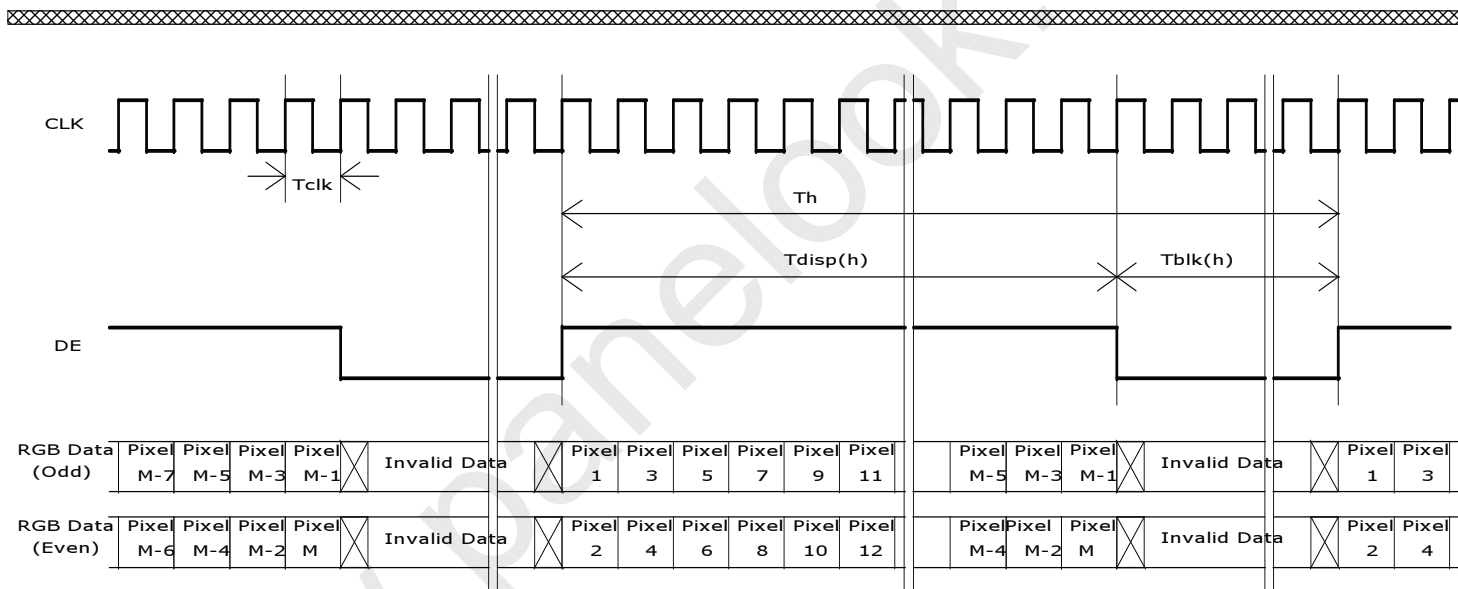
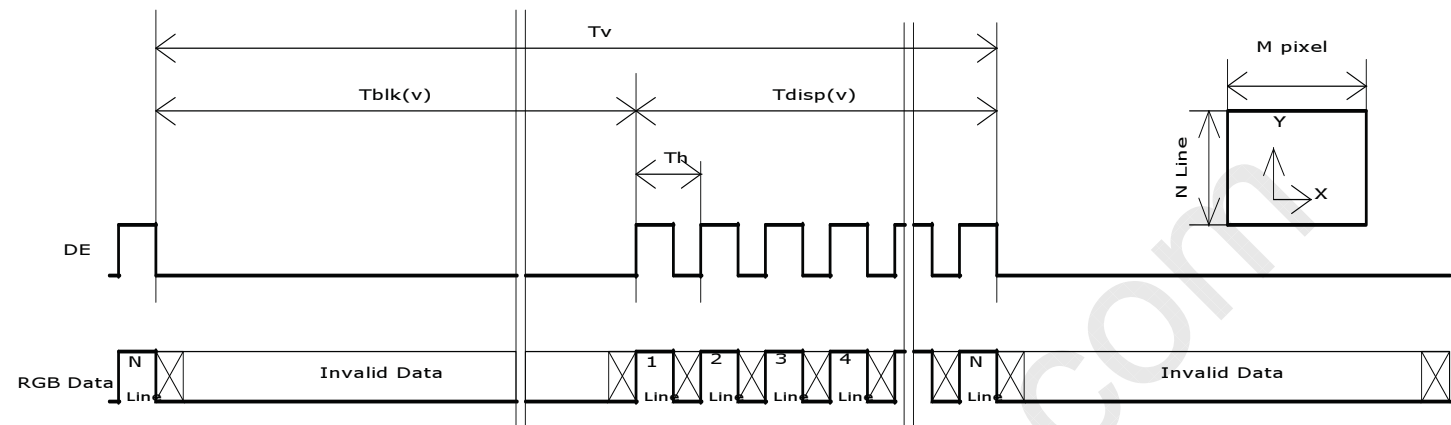


# Product Specification

M240HTN01.0

AU OPTRONICS CORPORATION

## 6.5 Timing Diagram





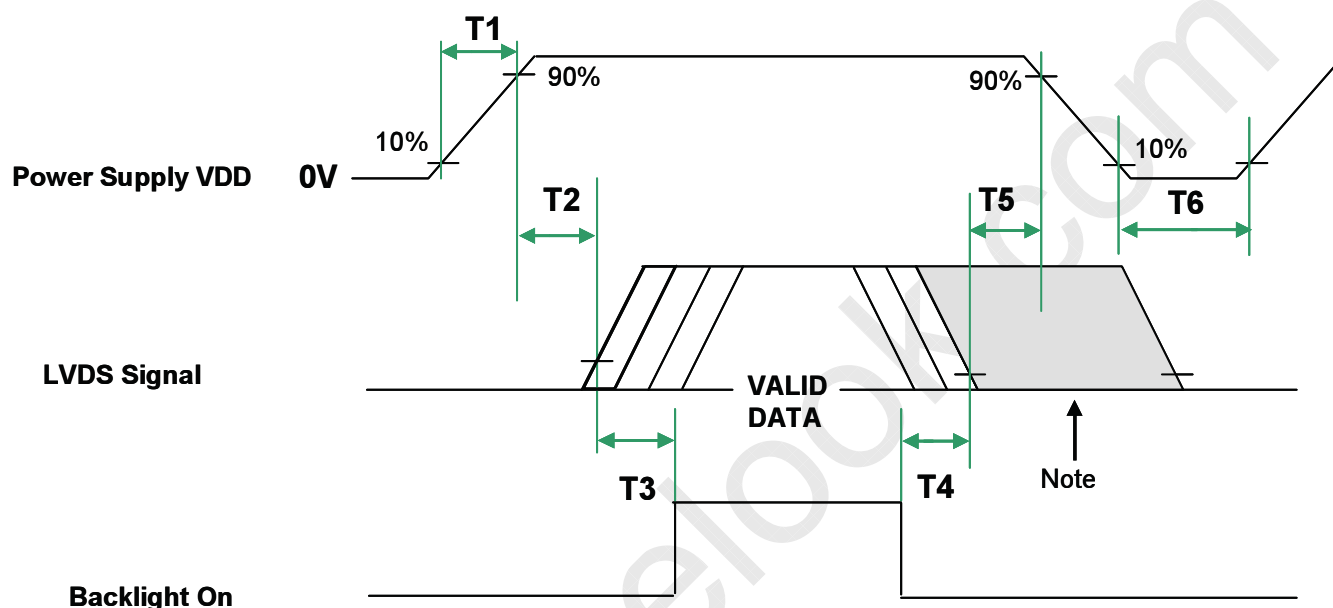
# Product Specification

M240HTN01.0

AU OPTRONICS CORPORATION

## 6.6 Power ON/OFF Sequence

VDD power and backlight power on/off sequence are specified as follows. Interface signals are also shown in the chart. Signals from any system shall be Hi-Z state or low level when VDD is off.



Note : Insert a white pattern after valid data and last until VDD falls to 10%

Parameter	Value		Unit
	Min.	Max.	
T1	0.5	10	[msec]
T2	0	50	[msec]
T3	500	-	[msec]
T4	200	-	[msec]
T5	40	-	[msec]
T6	1000	-	[msec]



# Product Specification

M240HTN01.0

AU OPTRONICS CORPORATION

## 7 Connector and Pin Assignment

Physical interface is described as follows for the connector on module. These connectors are capable of accommodating the following signals and will be following components.

### 7.1 TFT LCD Module

Connector Name / Designation	Interface Connector / Interface Card
Manufacturer	JAE P-TWO STM
Type Part Number	FI-XPB30SRLA-HF11 01-187121-30091-3(A) MSCK2407P30
Mating Housing Part Number	FI-X30HL (Locked Type)

#### 7.1.1 LVDS Connector Pin Assignment

Pin#	Signal Name	Pin#	Signal Name
1	RxOIN0-	2	RxOIN0+
3	RxOIN1-	4	RxOIN1+
5	RxOIN2-	6	RxOIN2+
7	GND	8	RxOCLKIN-
9	RxOCLKIN+	10	RxOIN3-
11	RxOIN3+	12	RxEIN0-
13	RxEIN0+	14	GND
15	RxEIN1-	16	RxEIN1+
17	GND	18	RxEIN2-
19	RxEIN2+	20	RxECLKIN-
21	RxECLKIN+	22	RxEIN3-
23	RxEIN3+	24	GND
25	NC (for AUO test only. Do not connect)	26	NC (for AUO test only. Do not connect)
27	NC (for AUO test only. Do not connect)	28	VDD
29	VDD	30	VDD



# Product Specification

M240HTN01.0

AU OPTRONICS CORPORATION

## 7.2 Backlight Unit

This connector is mounted on LED light bar.

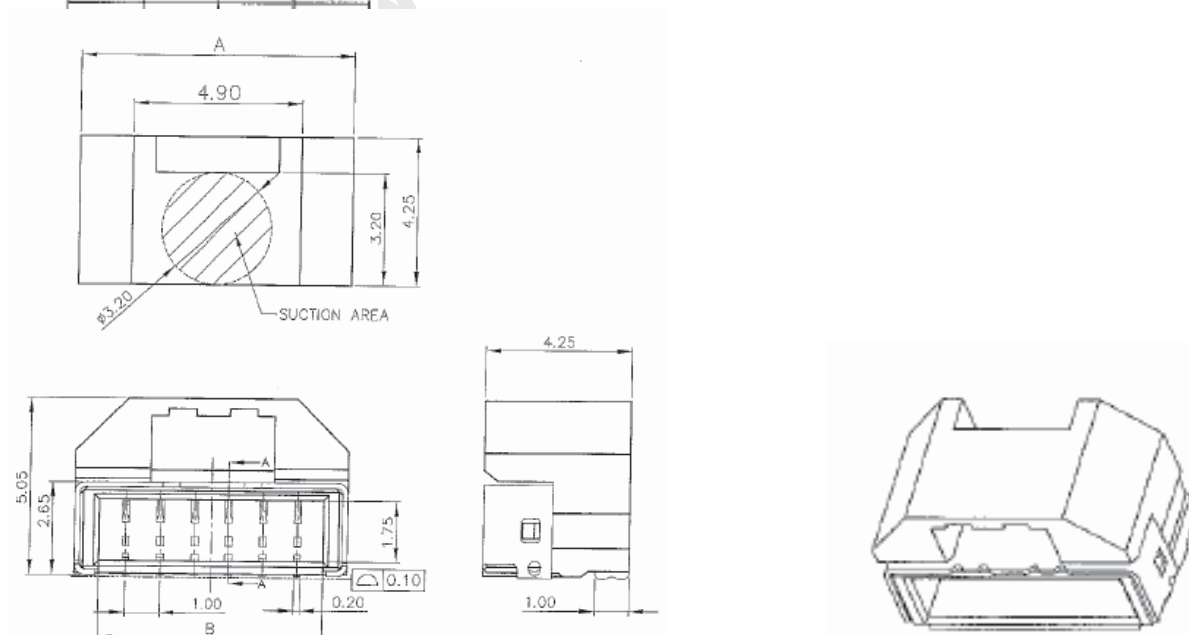
Connector Name / Designation	Light Bar Connector
Manufacturer	ENTERY INDUSTRIAL CO., LTD.
Type Part Number	3707K-S06N-07 (Locking Type, Wire Harness)
Mating Type Part Number (Housing)	(1)H112K-P06N-03B(Black, Length: 7.3mm ) (2)H112K-P06N-01B(White Length: 7.3mm) (3)H112K-D06N-04B(White; Length: 6.8mm) (4)H112K-D06N-05B (Black; Length: 6.8mm) or equivalent

### 7.2.1 Light Bar Connector Pin Assignment

Pin#	Signal Name
1	IRLED (current out)
2	IRLED (current out)
3	VLED (voltage in)
4	VLED (voltage in)
5	IRLED (current out)
6	IRLED (current out)

### 7.2.2 Light Bar Connector Dimension

PIN NO.	A	B	C
6	7.90	6.50	5.00





# Product Specification

M240HTN01.0

AU OPTRONICS CORPORATION

## 8 Reliability Test

Environment test conditions are listed as following table.

Items	Required Condition	Note
Temperature Humidity Bias (THB)	Ta= 50°C, 80%RH, 300 hours	
High Temperature Operation (HTO)	Ta= 50°C, 50%RH, 300 hours	
Low Temperature Operation (LTO)	Ta= 0°C, 300 hours	
High Temperature Storage (HTS)	Ta= 60°C, 300 hours	
Low Temperature Storage (LTS)	Ta= -20°C, 300 hours	
Vibration Test (Non-operation)	Acceleration: 1.5 Grms Wave: Random Frequency: 10 - 200 Hz Duration: 30 Minutes each Axis (X, Y, Z)	
Shock Test (Non-operation)	Acceleration: 50 G Wave: Half-sine Active Time: 20 ms Direction: ±X, ±Y, ±Z (one time for each Axis)	
Drop Test	Height: 46 cm, package test	
Thermal Shock Test (TST)	-20°C/30min, 60°C/30min, 100 cycles	<b>Note 1</b>
On/Off Test	On/10sec, Off/10sec, 30,000 cycles	
ESD (Electro Static Discharge)	Contact Discharge: ± 8KV, 150pF(330Ω ) 1sec, 15 points, 25 times/ point	<b>Note 2</b>
	Air Discharge: ± 15KV, 150pF(330Ω ) 1sec 15 points, 25 times/ point	
Altitude Test	Operation: 10,000 ft	
	Non-Operation: 30,000 ft	

**Note 1:** The TFT-LCD module will not sustain damage after being subjected to 100 cycles of rapid temperature change. A cycle of rapid temperature change consists of varying the temperature from -20°C to 60°C, and back again. Power is not applied during the test. After temperature cycling, the unit is placed in normal room ambient for at least 4 hours before power on.

**Note 2:** EN61000-4-2, ESD class B: Certain performance degradation allowed:

- No data lost
- Self-recoverable
- No hardware failures





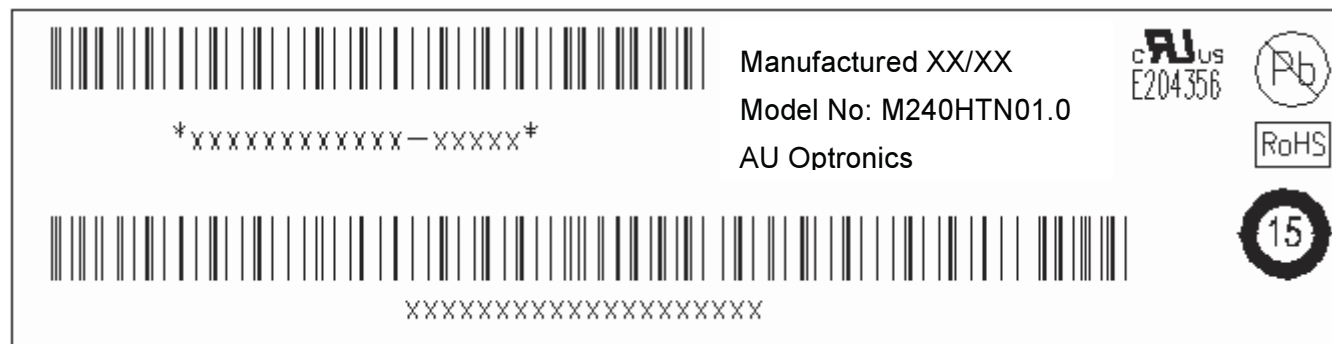
## Product Specification

M240HTN01.0

AU OPTRONICS CORPORATION

### 9 Shipping Label

The label on the panel is shown as below:



**Note 1:** For Pb Free products, AUO will add  for identification.

**Note 2:** For RoHS compatible products, AUO will add  for identification.

**Note 3:** For China RoHS compatible products, AUO will add  for identification.

**Note 4:** The Green Mark will be presented only when the green documents have been ready by AUO Internal Green Team.







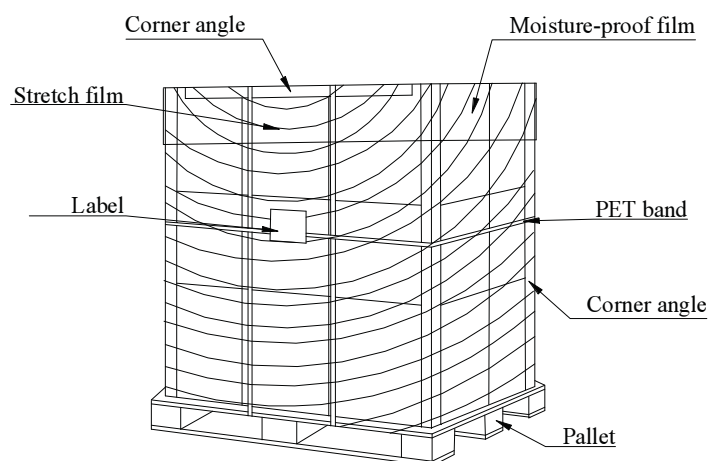
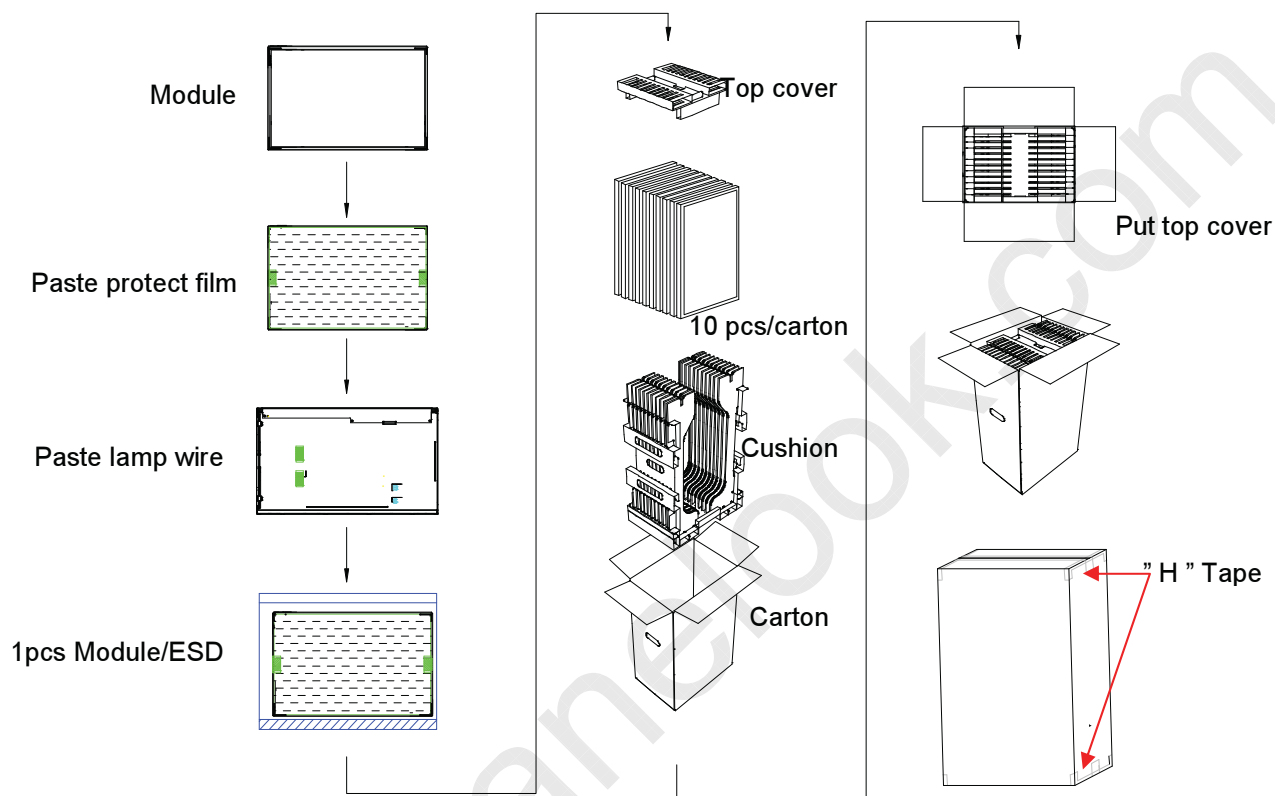
# Product Specification

M240HTN01.0

AU OPTRONICS CORPORATION

## 11 Packing Specification

### 11.1 Packing Flow





# Product Specification

M240HTN01.0

AU OPTRONICS CORPORATION

## 11.2 Pallet and Shipment Information

	Item	Specification			Remark
		Q'ty	Dimension	Weight(kg)	
1	Panel	1	556(H)mm x 323.2(V)mm x 9.08(D)mm	2.065	<b>Note 1</b>
2	Cushion	1	--	1.7	
3	Box	1	406(L)mm x 281(W)mm x 651(H)mm	1.2	without Panel & cushion <b>Note 1</b>
4	Packing Box	10 pcs/Box	406(L)mm x 281(W)mm x 651(H)mm	23.55	with panel & cushion <b>Note 1</b>
5	Pallet	1	1150(L)mm x 840(W)mm x 138(H)mm	12	<b>Note 1</b>
6	Pallet after Packing	16 boxes/pallet	1140(L)mm x 830(W)mm x 1440(H)mm	388.8	<b>Note 1</b>

**Note 1:** Estimated value which is subject to change based on real measured data.