



# Product Specification

M270HVN02.0

AU OPTRONICS CORPORATION

( ) Preliminary Specification

**(V) Final Specification**

Module	27.0" Color TFT-LCD
Model Name	M270HVN02.0

Customer	Date
_____	_____
Approved by	
_____	_____
Note: This Specification is subject to change without notice.	

Approved by	Date
<u>Howard Lee</u>	<u>2012/10/19</u>
Prepared by	
<u>Derec Yang</u>	<u>2012/10/19</u>
Desktop Display Business Group / AU Optronics Corporation	



# Product Specification

M270HVN02.0

AU OPTRONICS CORPORATION

## Content

1	HANDLING PRECAUTIONS .....	5
2	GENERAL DESCRIPTION .....	6
2.1	Display Characteristics .....	6
2.2	Optical Characteristics.....	7
3	FUNCTIONAL BLOCK DIAGRAM.....	11
4	ABSOLUTE MAXIMUM RATINGS .....	12
4.1	TFT LCD Module .....	12
4.2	Backlight Unit.....	12
4.3	Absolute Ratings of Environment.....	12
5	ELECTRICAL CHARACTERISTICS .....	14
5.1	TFT LCD Module .....	14
5.1.1	Power Specification .....	14
5.1.2	Signal Electrical Characteristics .....	16
5.2	Backlight Unit.....	18
6	SIGNAL CHARACTERISTICS .....	19
6.1	Pixel Format Definition .....	19
6.2	Input Data Format Definition .....	19
6.3	Signal Description.....	20
6.4	Timing Characteristics .....	22
6.5	Timing Diagram .....	23
6.6	Power ON/OFF Sequence .....	24
7	CONNECTOR AND PIN ASSIGNMENT.....	25
7.1	TFT LCD Module .....	25
7.1.1	Pin Assignment.....	25
7.2	LED Connector on Backlight Unit.....	26
7.2.1	LED Pin assignment .....	26
7.2.2	LED Connector Dimension .....	27
7.2.3	LED Mating housing dimension.....	27
8	RELIABILITY TEST.....	28
9	SHIPPING LABEL.....	29
10	MECHANICAL CHARACTERISTICS.....	30
11	PACKING SPECIFICATION .....	33
11.1	Packing Flow .....	33
11-2	Pallet and shipment information .....	34

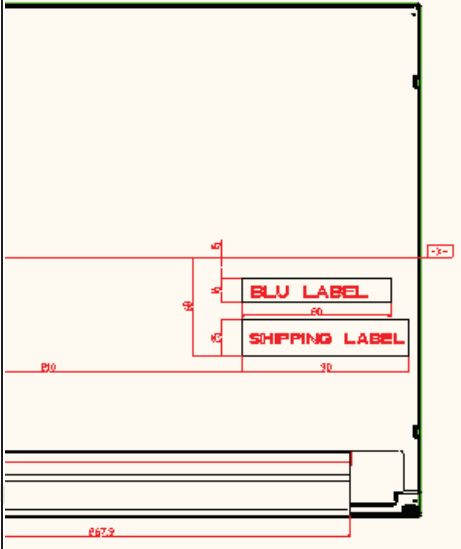
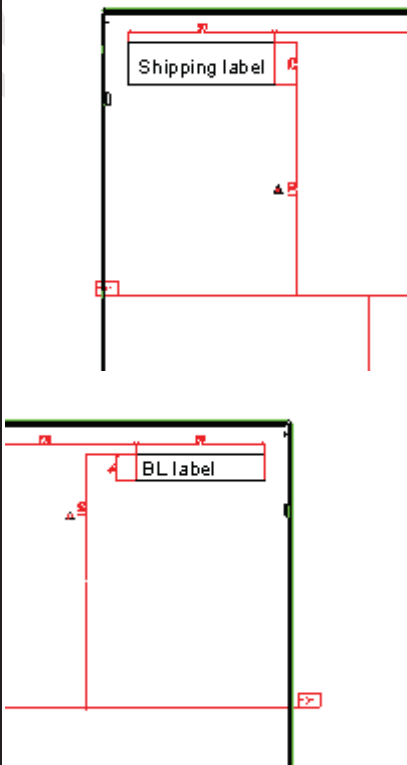


# Product Specification

M270HVN02.0

AU OPTRONICS CORPORATION

## Records of Revision

Version and Date	Page	Old description	New Description	Remark
0.1 2012/05/10		First Version		
0.2 2012/06/15	page 14,18		To Define TFT LCD power spec To Define BL Power spec	
0.3 2012/06/20	Page 6		To Define Panel Weight	
0.3 2012/06/20	Page 31		<p>To Change the Label position. BLU Label is at the upper right (corner). Shipping label is at the the upper left (corner).</p> 	
0.4 2012/06/29	Page 14	Verison 0.3 , the absolute VDD maximum is 5.5V of the module	Verison 0.4 , Update the absolute VDD maximum is 6.0V of the module	
0.5 2012/07/12	Page 6, 7, 14,	In Verison 0.4 , Surface Treatment , Color/Chromaticity , absolute rating as TBD °	To Define the Surface Treatment To Define Color / Chromaticity (should be confirm again) To Define the Absolute Maximum Ratings of BL unit	
0.5 2012/07/12	Page 23,19	In Verison 0.4 , the Max clock is 85MHZ. In Verison 0.4 , the VLB minmun doesn't defined.	To upgrade the Max clock frequency as 90MHZ. To define the VLB minnum voltage .	



# Product Specification

M270HVN02.0

AU OPTRONICS CORPORATION

0.6 2012/07/25	Page 6		To correct the model name as M270HVN02.0																																																								
0.7 2012/08/20	Page 6	<table border="1"> <tr> <td>[Watt]</td> <td>29.34 watt VDD line : PDD (typ), All white pattern at 60Hz = 5.94 W LED line : PBLU (typ) = 23.4 W</td> </tr> </table>	[Watt]	29.34 watt VDD line : PDD (typ), All white pattern at 60Hz = 5.94 W LED line : PBLU (typ) = 23.4 W	<table border="1"> <tr> <td>[Watt]</td> <td>27.72 watt VDD line : PDD (typ), All white pattern at 60Hz = 5.94 W LED line : PBLU (typ) = 21.78 W</td> </tr> </table>	[Watt]	27.72 watt VDD line : PDD (typ), All white pattern at 60Hz = 5.94 W LED line : PBLU (typ) = 21.78 W																																																				
[Watt]	29.34 watt VDD line : PDD (typ), All white pattern at 60Hz = 5.94 W LED line : PBLU (typ) = 23.4 W																																																										
[Watt]	27.72 watt VDD line : PDD (typ), All white pattern at 60Hz = 5.94 W LED line : PBLU (typ) = 21.78 W																																																										
0.7 2012/08/20	Page 7	<table border="1"> <tr> <td>Red x</td> <td>0.612</td> <td>0.642</td> <td>0.672</td> </tr> <tr> <td>Red y</td> <td>0.304</td> <td>0.334</td> <td>0.364</td> </tr> <tr> <td>Green x</td> <td>0.292</td> <td>0.322</td> <td>0.352</td> </tr> <tr> <td>Green y</td> <td>0.594</td> <td>0.624</td> <td>0.654</td> </tr> <tr> <td>Blue x</td> <td>0.126</td> <td>0.156</td> <td>0.186</td> </tr> <tr> <td>Blue y</td> <td>0.030</td> <td>0.060</td> <td>0.090</td> </tr> </table>	Red x	0.612	0.642	0.672	Red y	0.304	0.334	0.364	Green x	0.292	0.322	0.352	Green y	0.594	0.624	0.654	Blue x	0.126	0.156	0.186	Blue y	0.030	0.060	0.090	<table border="1"> <tr> <td>Red x</td> <td>0.615</td> <td>0.645</td> <td>0.675</td> </tr> <tr> <td>Red y</td> <td>0.300</td> <td>0.330</td> <td>0.360</td> </tr> <tr> <td>Green x</td> <td>0.285</td> <td>0.315</td> <td>0.345</td> </tr> <tr> <td>Green y</td> <td>0.590</td> <td>0.620</td> <td>0.650</td> </tr> <tr> <td>Blue x</td> <td>0.124</td> <td>0.154</td> <td>0.184</td> </tr> <tr> <td>Blue y</td> <td>0.034</td> <td>0.064</td> <td>0.094</td> </tr> </table>	Red x	0.615	0.645	0.675	Red y	0.300	0.330	0.360	Green x	0.285	0.315	0.345	Green y	0.590	0.620	0.650	Blue x	0.124	0.154	0.184	Blue y	0.034	0.064	0.094								
Red x	0.612	0.642	0.672																																																								
Red y	0.304	0.334	0.364																																																								
Green x	0.292	0.322	0.352																																																								
Green y	0.594	0.624	0.654																																																								
Blue x	0.126	0.156	0.186																																																								
Blue y	0.030	0.060	0.090																																																								
Red x	0.615	0.645	0.675																																																								
Red y	0.300	0.330	0.360																																																								
Green x	0.285	0.315	0.345																																																								
Green y	0.590	0.620	0.650																																																								
Blue x	0.124	0.154	0.184																																																								
Blue y	0.034	0.064	0.094																																																								
0.7 2012/08/20	Page 18	<table border="1"> <thead> <tr> <th>Symbol</th> <th>Description</th> <th>Min.</th> <th>Typ.</th> <th>Max.</th> <th>Unit</th> <th>Note</th> </tr> </thead> <tbody> <tr> <td>IRLED</td> <td>LED Operation Current</td> <td>-</td> <td>130</td> <td>126</td> <td>[mA]</td> <td>Note 1</td> </tr> <tr> <td>VLB</td> <td>Light Bar Operation Voltage (for reference)</td> <td>44.25</td> <td>48.75</td> <td>50.25</td> <td>[Volt]</td> <td>Note 2</td> </tr> <tr> <td>PBLU</td> <td>BLU Power Consumption (for reference)</td> <td>-</td> <td>23.4</td> <td>25.3</td> <td>[Watt]</td> <td>Note 3</td> </tr> </tbody> </table>	Symbol	Description	Min.	Typ.	Max.	Unit	Note	IRLED	LED Operation Current	-	130	126	[mA]	Note 1	VLB	Light Bar Operation Voltage (for reference)	44.25	48.75	50.25	[Volt]	Note 2	PBLU	BLU Power Consumption (for reference)	-	23.4	25.3	[Watt]	Note 3	<table border="1"> <thead> <tr> <th>Symbol</th> <th>Description</th> <th>Min.</th> <th>Typ.</th> <th>Max.</th> <th>Unit</th> <th>Note</th> </tr> </thead> <tbody> <tr> <td>IRLED</td> <td>LED Operation Current</td> <td>-</td> <td>110</td> <td>115.5</td> <td>[mA]</td> <td>Note 1</td> </tr> <tr> <td>VLB</td> <td>Light Bar Operation Voltage (for reference)</td> <td>44.25</td> <td>49.5</td> <td>54</td> <td>[Volt]</td> <td>Note 2</td> </tr> <tr> <td>PBLU</td> <td>BLU Power Consumption (for reference)</td> <td>-</td> <td>21.78</td> <td>24.95</td> <td>[Watt]</td> <td>Note 3</td> </tr> </tbody> </table>	Symbol	Description	Min.	Typ.	Max.	Unit	Note	IRLED	LED Operation Current	-	110	115.5	[mA]	Note 1	VLB	Light Bar Operation Voltage (for reference)	44.25	49.5	54	[Volt]	Note 2	PBLU	BLU Power Consumption (for reference)	-	21.78	24.95	[Watt]	Note 3
Symbol	Description	Min.	Typ.	Max.	Unit	Note																																																					
IRLED	LED Operation Current	-	130	126	[mA]	Note 1																																																					
VLB	Light Bar Operation Voltage (for reference)	44.25	48.75	50.25	[Volt]	Note 2																																																					
PBLU	BLU Power Consumption (for reference)	-	23.4	25.3	[Watt]	Note 3																																																					
Symbol	Description	Min.	Typ.	Max.	Unit	Note																																																					
IRLED	LED Operation Current	-	110	115.5	[mA]	Note 1																																																					
VLB	Light Bar Operation Voltage (for reference)	44.25	49.5	54	[Volt]	Note 2																																																					
PBLU	BLU Power Consumption (for reference)	-	21.78	24.95	[Watt]	Note 3																																																					
0.7 2012/08/20	Page 13	VDD minimum is 0V LED forward Voltage variation( $\Delta V_f$ ) is 6V	To modify the VDD minimum as -0.3V LED forward Voltage variation( $\Delta V_f$ ) as 3V																																																								
1.0 2012/10/08	Page 6	The 0.7 version power consumption is 27.72W	Update the power consumption 26.88W																																																								
	Page 6		TCO Compliance :TCO 6.0																																																								
	Page 14		To Define Max. Value IDD1 and PDD1																																																								
	Page 22		Add Hsync Frequency																																																								
	Page 30	Note 3:TORQUE OF M2 USER HOLE SHOULD BE WITHIN 4kgf-cm	Update Note3:TORQUE OF M2 USER HOLE SHOULD BE WITHIN 3kgf-cm																																																								



# Product Specification

M270HVN02.0

AU OPTRONICS CORPORATION

## 1 Handling Precautions

- 1) Since front polarizer is easily damaged, pay attention not to scratch it.
- 2) Be sure to turn off power supply when inserting or disconnecting from input connector.
- 3) Wipe off water drop immediately. Long contact with water may cause discoloration or spots.
- 4) When the panel surface is soiled, wipe it with absorbent cotton or other soft cloth.
- 5) Since the panel is made of glass, it may break or crack if dropped or bumped on hard surface.
- 6) Since CMOS LSI is used in this module, take care of static electricity and insure human earth when handling.
- 7) Do not open or modify the Module Assembly.
- 8) Do not press the reflector sheet at the back of the module to any directions.
- 9) In case if a Module has to be put back into the packing container slot after once it was taken out from the container, do not press the center of LED light bar edge. Instead, press at the far ends of the LED light bar edge softly. Otherwise the TFT Module may be damaged.
- 10) At the insertion or removal of the Signal Interface Connector, be sure not to rotate nor tilt the Interface Connector of the TFT Module.
- 11) After installation of the TFT Module into an enclosure, do not twist nor bend the TFT Module even momentary. At designing the enclosure, it should be taken into consideration that no bending/twisting forces are applied to the TFT Module from outside. Otherwise the TFT Module may be damaged.
- 12) Small amount of materials having no flammability grade is used in the LCD module. The LCD module should be supplied by power complied with requirements of Limited Power Source (IEC60950 or UL1950), or be applied exemption.
- 13) Avoid touching COF position while doing mechanical design.
- 14) While storing modules as spares for a long time, the following precautions are necessary:
  - Store modules in a dark place. Do not expose them to sunlight or fluorescent light.
  - Keep the temperature between 5°C and 35°C at normal humidity.



# Product Specification

M270HVN02.0

AU OPTRONICS CORPORATION

## 2 General Description

This specification applies to the 27 inch-FHD color a-Si TFT-LCD Module M270HVN02.0. The display supports the FHD - 1920(H) x 1080(V) screen format and 16.7M colors (RGB 8-bit data). The light source of this TFT-LCD module is W-LED. All input signals are 2-channel LVDS interface and this module doesn't contain a driver for backlight.

### 2.1 Display Characteristics

The following items are characteristics summary on the table under 25°C condition:

Items	Unit	Specification
Screen Diagonal	[mm]	685.65(27.0")
Active Area	[mm]	597.6 (H) x 336.15 (V)
Pixels H x V		1920(x3) x 1080
Pixel Pitch	[um]	311.25 (per one triad) x311.25
Pixel Arrangement		R.G.B. Vertical island
Display Mode		VA Mode, Normally Black
White Luminance ( Center )	[cd/m <sup>2</sup> ]	300 cd/m <sup>2</sup> (Typ.)
Contrast Ratio		3000 (Typ.)
Optical Response Time	[msec]	12ms (Typ., on/off)
Nominal Input Voltage VDD	[Volt]	5 V (Typ)
Power Consumption (VDD line + LED line)	[Watt]	26.88 watt VDD line : PDD (typ), All white pattern at 60Hz = 5.1 W LED line : PBLU (typ) = 21.78 W
Weight	[g]	2180 gram (Typ.)
Physical Size	[mm]	613.6(H)x356.85(V)x10.0(D) (Typ.)
Electrical Interface		Dual channel LVDS
Support Color		16.7M colors (RGB 8-bit)
Surface Treatment		Anti-Glare 3H
Temperature Range		
Operating	[°C]	0 to +50
Storage (Shipping)	[°C]	-20 to +60
RoHS Compliance		RoHS Compliance
TCO Compliance		TCO 6.0 Compliance





# Product Specification

M270HVN02.0

AU OPTRONICS CORPORATION

## 2.2 Optical Characteristics

The optical characteristics are measured under stable conditions at 25°C:

Item	Unit	Conditions	Min.	Typ.	Max.	Note
Viewing Angle	[degree]	Horizontal (Right) CR = 10 (Left)	150	178	-	2
		Vertical (Up) CR = 10 (Down)	150	178	-	
Contrast ratio		Normal Direction	1800	3000	-	3
Response Time	[msec]	Raising Time ( $T_{rR}$ )	-	7	-	4
		Falling Time ( $T_{rF}$ )	-	5	-	
		Raising + Falling	-	12	-	
Color / Chromaticity Coordinates (CIE)		Red x	0.615	0.645	0.675	5
		Red y	0.300	0.330	0.360	
		Green x	0.285	0.315	0.345	
		Green y	0.590	0.620	0.650	
		Blue x	0.124	0.154	0.184	
		Blue y	0.034	0.064	0.094	
Color Coordinates (CIE) White		White x	0.283	0.313	0.343	
		White y	0.299	0.329	0.359	
Central Luminance	[ $\text{cd}/\text{m}^2$ ]		240	300	-	6
Luminance Uniformity	[%]		75	80	-	7
Crosstalk (in 60Hz)	[%]				1.5	8
Flicker	dB				-20	9



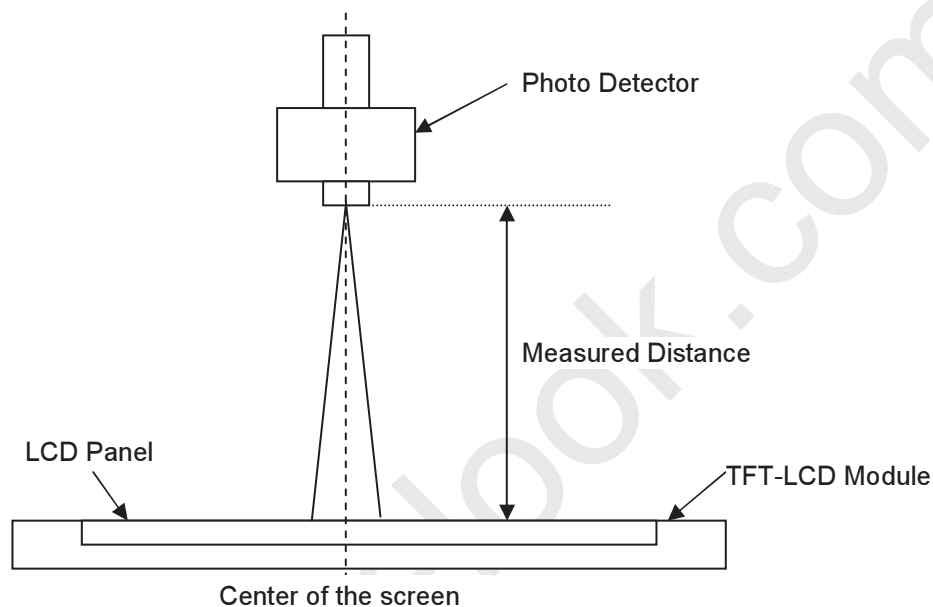
# Product Specification

M270HVN02.0

AU OPTRONICS CORPORATION

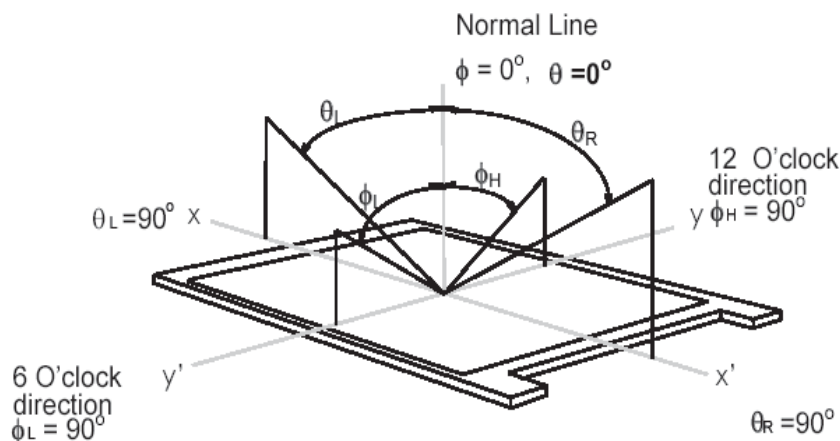
## Note 1: Measurement Method

The LCD module should be stabilized at given temperature for 30 minutes to avoid abrupt temperature change during measuring (at surface 35°C). In order to stabilize the luminance, the measurement should be executed after lighting Backlight for 30 minutes in a stable, windless and dark room.



## Note 2: Definition of Viewing Angle measured by ELDIM (EZContrast 88)

Viewing angle is the measurement of contrast ratio  $\geq 10$ , at the screen center, over a 180° horizontal and 180° vertical range (off-normal viewing angles). The 180° viewing angle range is broken down as follows; 90° ( $\theta$ ) horizontal left and right and 90° ( $\Phi$ ) vertical, high (up) and low (down). The measurement direction is typically perpendicular to the display surface with the screen rotated about its center to develop the desired measurement viewing angle.

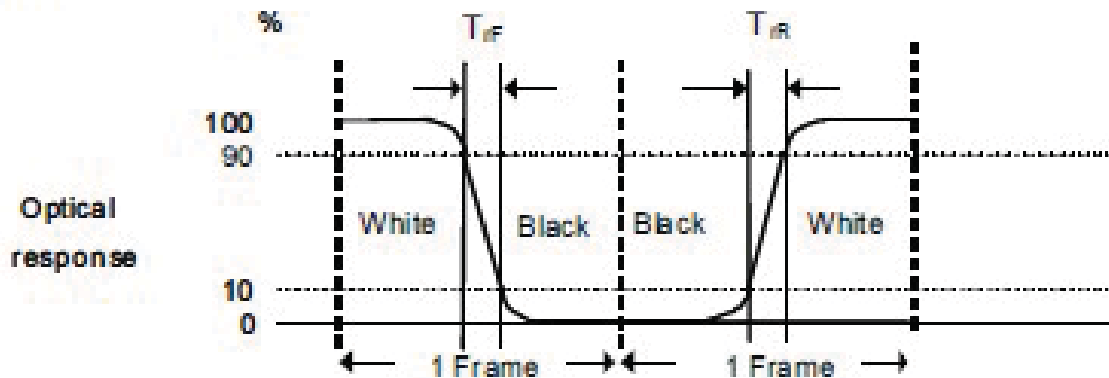




Note 3: Contrast Ratio measured by TOPCON SR-3

Note 4: Definition of Response time measured by Westar TRD-100A

The output signals of photo detector are measured when the input signals are changed from "Full Black" to "Full White" (rising time,  $T_{rF}$ ), and from "Full White" to "Full Black" (falling time,  $T_{rB}$ ), respectively. The response time is interval between the 10% and 90% (1 frame at 60 Hz) of amplitudes.

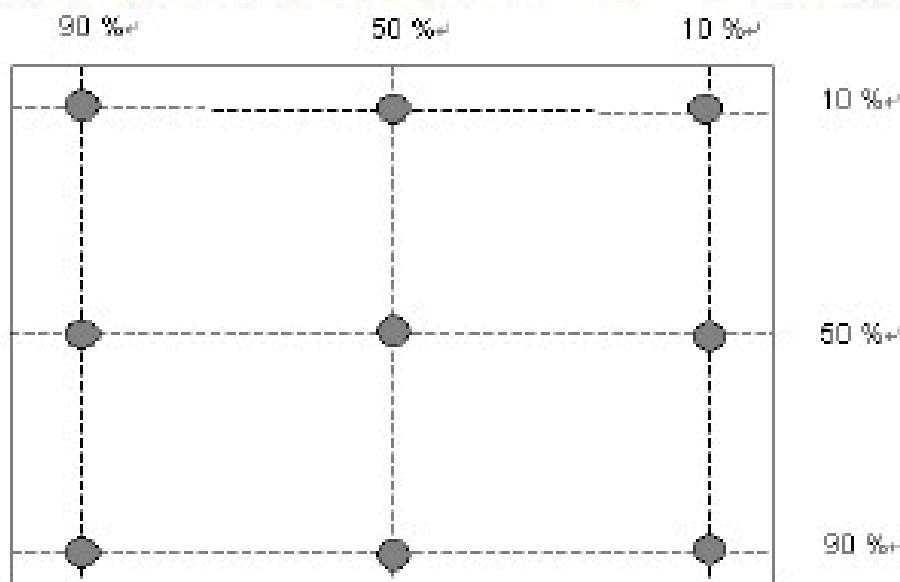


$T_{rB} + T_{rF} = 12 \text{ msec (typ.)}$ .

Note 5: Color Chromaticity and Coordinates (CIE) measured by TOPCON SR-3

Note 6: Central Luminance measured by TOPCON SR-3

Note 7: Luminance Uniformity of these 9 points defined as below and measured by TOPCON SR-3



$$\text{Uniformity} = \frac{\text{Minimum Luminance in 9 points (1-9)}}{\text{Maximum Luminance in 9 Points (1-9)}}$$

Note 8: Crosstalk defined as below and measured by TOPCON SR-3



# Product Specification

M270HVN02.0

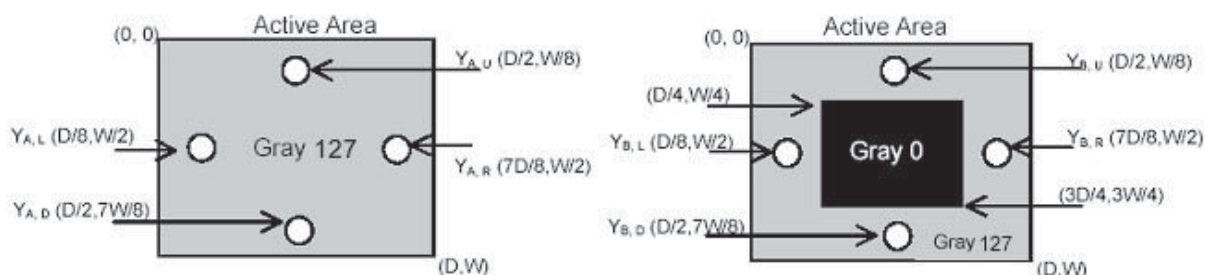
AU OPTRONICS CORPORATION

$$CT = | YB - YA | / YA \times 100 (\%)$$

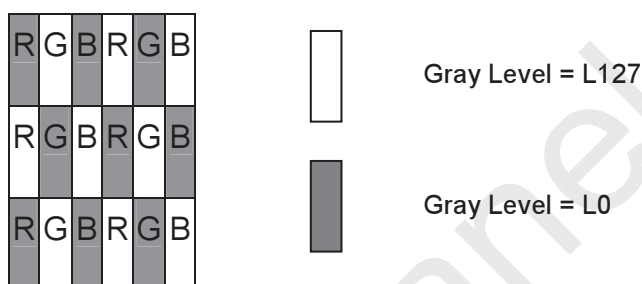
Where

YA = Luminance of measured location without gray level 0 pattern (cd/m2)

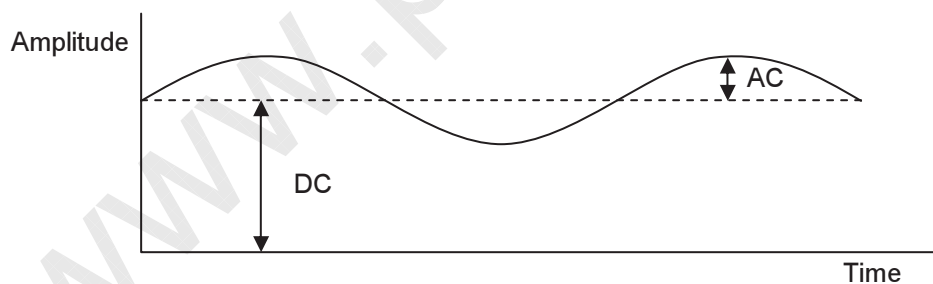
YB = Luminance of measured location with gray level 0 pattern (cd/m2)



Note 9: Test Pattern Sub-checker Pattern measured by TOPCON SR-3



Method: Record dBV & DC value with TRD-100



$$\text{Flicker (dB)} = 20 \log \frac{\text{AC Level(at 30 Hz)}}{\text{DC Level}}$$



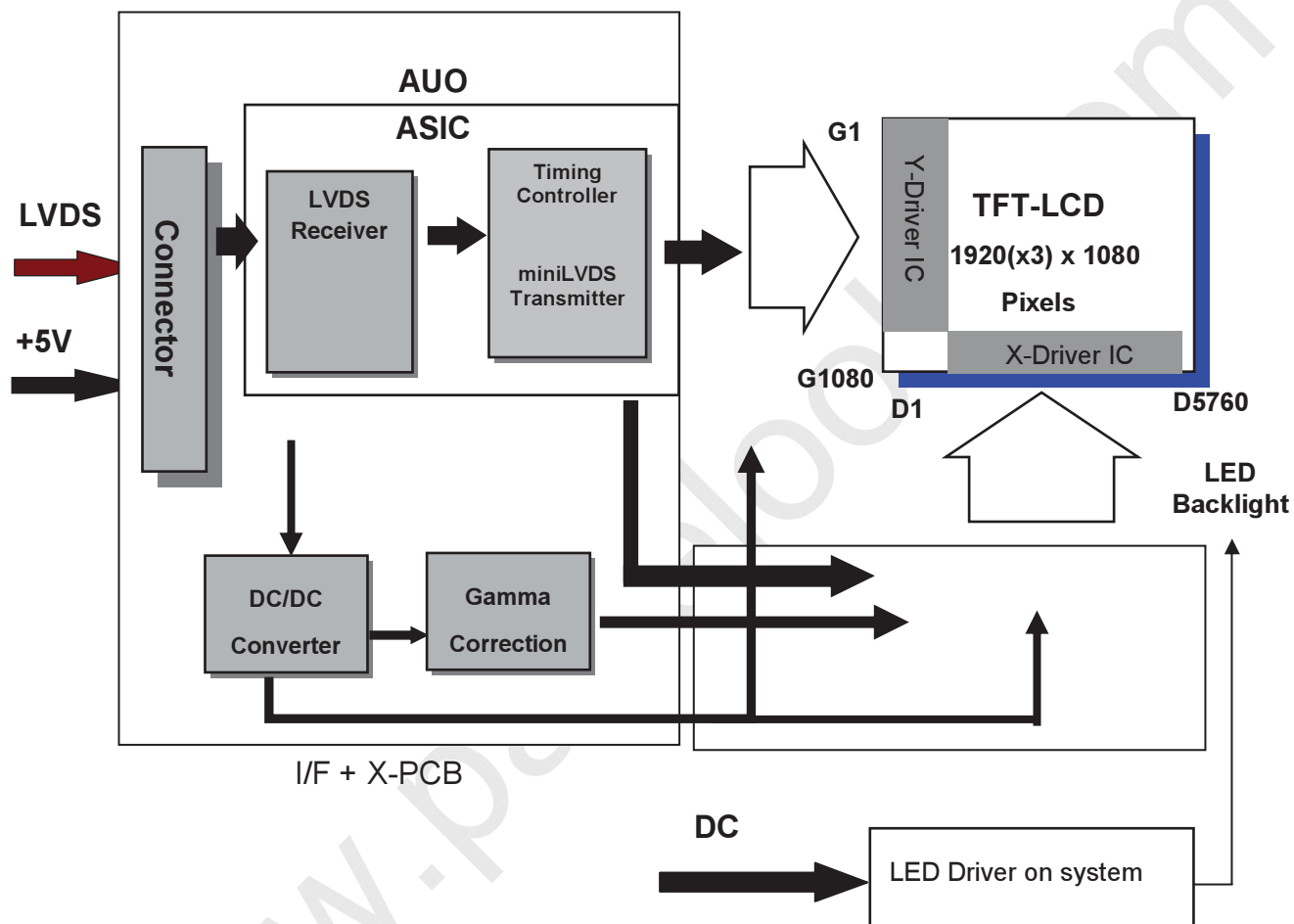
# Product Specification

M270HVN02.0

AU OPTRONICS CORPORATION

## 3 Functional Block Diagram

The following diagram shows the functional block of the 27.0 inch Color TFT-LCD Module:



I/F PCB Interface:  
MSCKT2407P30HB  
AL230F-A0G1D-P

Mating Type:

FI-X30HL(Locked Type)



# Product Specification

M270HVN02.0

AU OPTRONICS CORPORATION

## 4 Absolute Maximum Ratings

Absolute maximum ratings of the module are listed as follows:

### 4.1 TFT LCD Module

Item	Symbol	Min	Max	Unit	Conditions
Logic/LCD Drive	VDD	-0.3	6.0	[Volt]	Note 1, 2

### 4.2 Backlight Unit

Item	Symbol	Min	Max	Unit	Conditions
LED Forward Current	IRLED1	0	150	[mA]	Note 1,2,5 100% duty
	IRLED2				
	IRLED3				
	IRLED4				
LED Pulse Forward Current	IPLED1	-	210	[mA]	Note 1,2,5 10% duty @100Hz
	IPLED2				
	IPLED3				
	IPLED4				
LED forward Voltage variation (per string variation)	$\Delta V_f$	-	3	[Volt]	Note 1,2

### 4.3 Absolute Ratings of Environment

Item	Symbol	Min.	Max.	Unit	Conditions
Operating Temperature	TOP	0	+50	[°C]	Note 3
Glass Surface Temperature (Operation)	TGS	0	+65	[°C]	Note3 Note4
Operation Humidity	HOP	5	90	[%RH]	Note 3
Storage Temperature	TST	-20	+60	[°C]	
Storage Humidity	HST	5	90	[%RH]	

Note 1: With in Ta (25 °C)

Note 2: Permanent damage to the device may occur if exceeding maximum values

Note 3: Temperature and relative humidity range are shown as the below figure.

1. 90% RH Max ( Ta ≤ 39°C)
2. Max wet-bulb temperature at 39°C or less. ( Ta ≤ 39°C)
3. No condensation

Note 4: Function Judged only

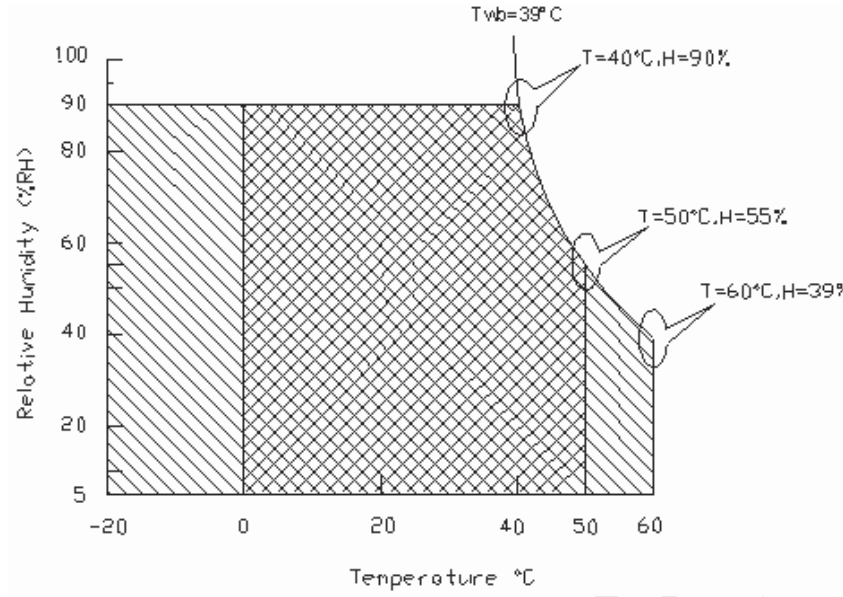
Note 5: IRLED1,2,3,4 and IPLED1,2,3,4 define as per strings LED current.



# Product Specification

M270HVN02.0

AU OPTRONICS CORPORATION



Operating Range  Storage Range  + 



# Product Specification

M270HVN02.0

AU OPTRONICS CORPORATION

## 5 Electrical Characteristics

### 5.1 TFT LCD Module

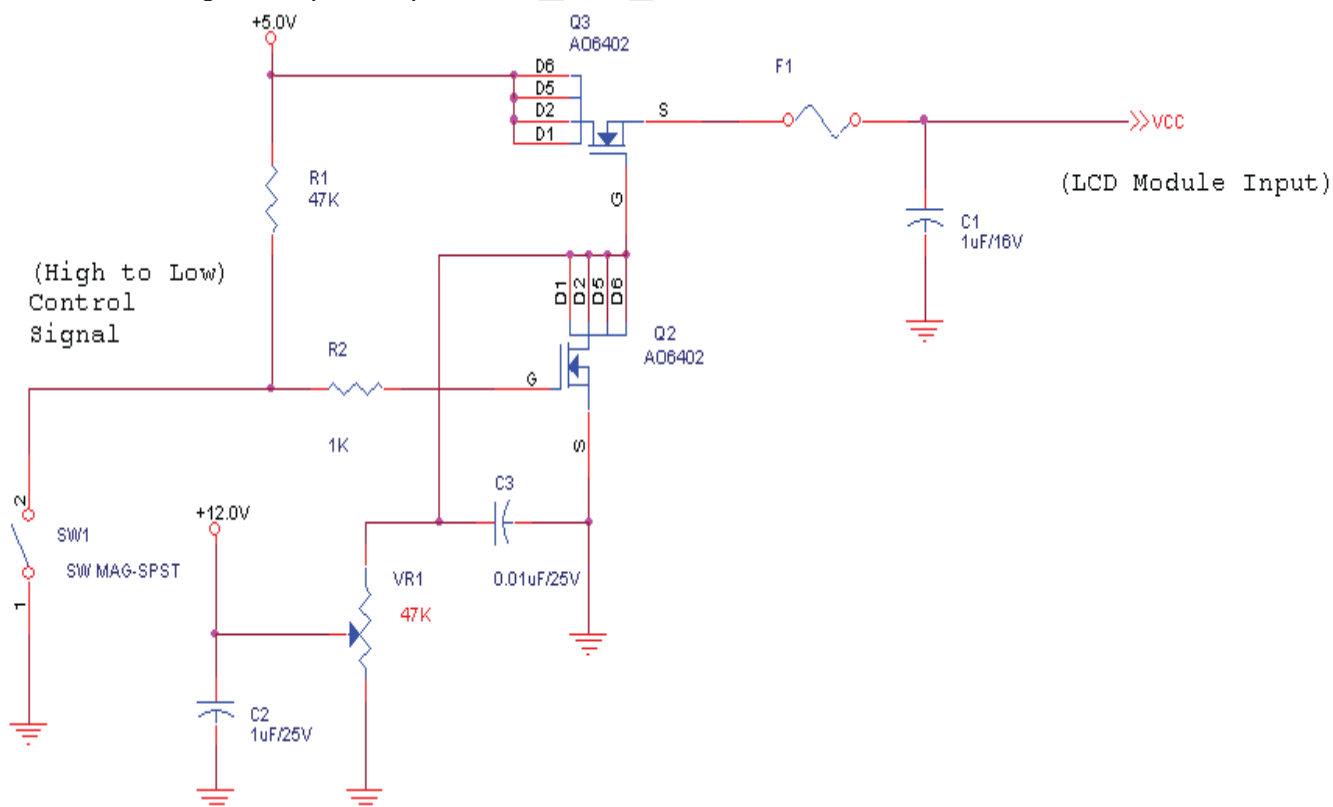
#### 5.1.1 Power Specification

Input power specifications are listed as follows:

Symbol	Description	Min	Typ.	Max	Unit	Conditions
VDD	Logic/LCD Drive Voltage	4.5	5.0	5.5	[Volt]	+/-10%
IDD1	Input Current	-	1.02	1.22	[A]	VDD= 5.0V, All white Pattern at 60 Hz
		-	1.21	1.45	[A]	VDD= 5.0V, All white Pattern at 75 Hz
PDD1	VDD Power	-	5.1	6.12	[Watt]	VDD= 5.0V, All white Pattern at 60 Hz
		-	6.05	7.26	[Watt]	VDD= 5.0V, All white Pattern at 75 Hz
IRush	Inrush Current	-	-	3	[A]	<b>Note 1</b>
VDDrp	Allowable Logic/LCD Drive Ripple Voltage	-	-	500	[mV] p-p	VDD= 5.0V, All white Pattern at 75 Hz

Note 1: Measurement Conditions:

The duration of rising time of power input is 470 us.



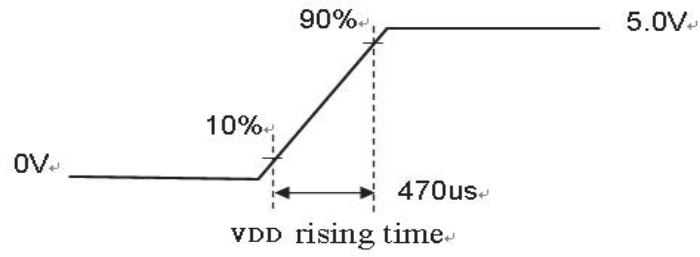




# Product Specification

M270HVN02.0

AU OPTRONICS CORPORATION





# Product Specification

M270HVN02.0

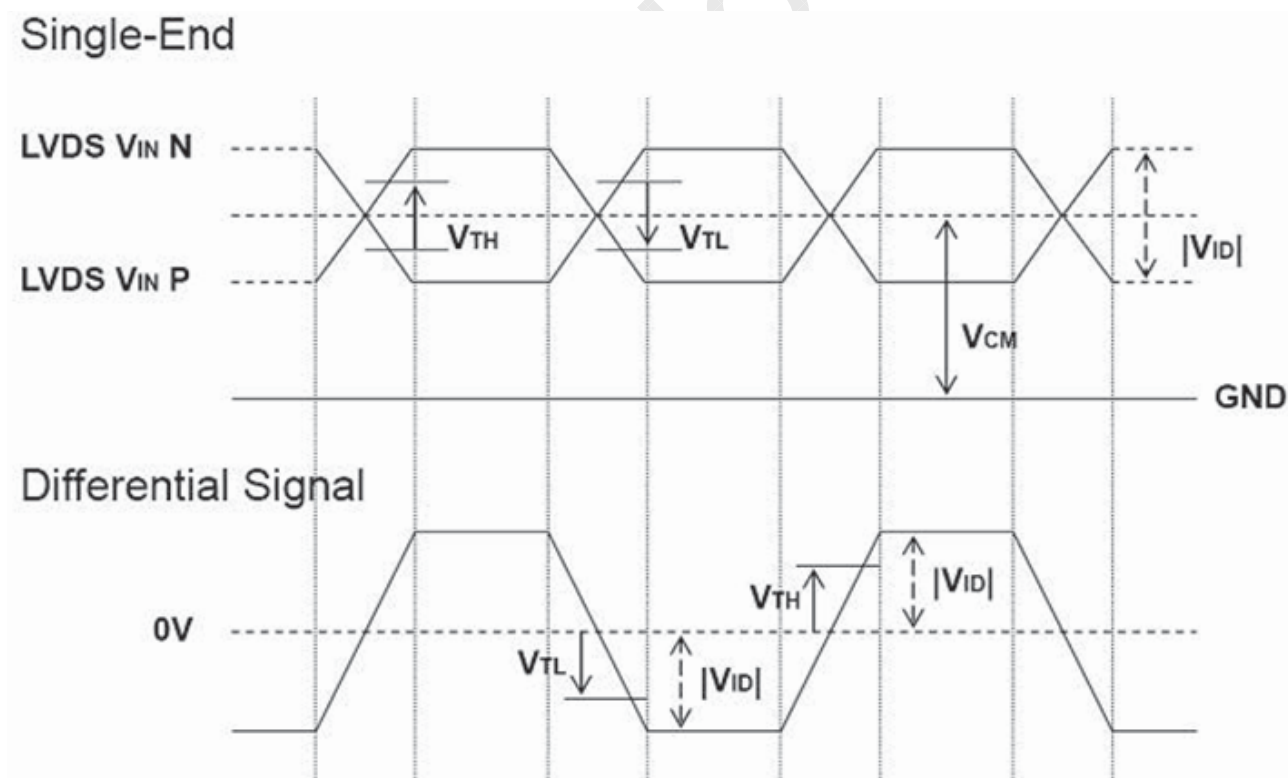
AU OPTRONICS CORPORATION

## 5.1.2 Signal Electrical Characteristics

(1) DC Characteristics of each signal are as following:

Symbol	Description	Min	Typ	Max	Units	Conditions
$V_{TH}$	Differential Input High Threshold	-	-	+100	[mV]	$V_{CM} = 1.2V$ Note 1
$V_{TL}$	Differential Input Low Threshold	-100	-	-	[mV]	$V_{CM} = 1.2V$ Note 1
$ V_{ID} $	Input Differential Voltage	100	-	600	[mV]	Note 1
$V_{CM}$	Differential Input Common Mode Voltage	+1.0	+1.2	+1.5	[V]	$V_{TH}-V_{TL} = 200MV$ (max) Note 1

Note 1: LVDS Signal Waveform





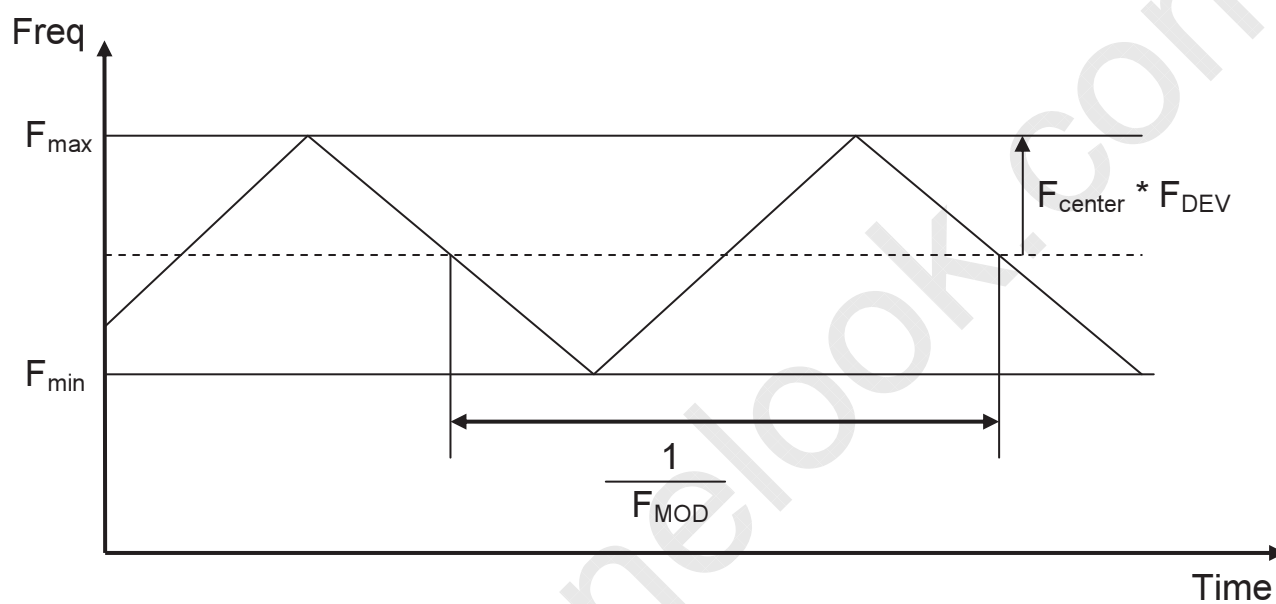
# Product Specification

M270HVN02.0

AU OPTRONICS CORPORATION

## (2) AC Characteristics

Symbol	Description	Min	Max	Units	Conditions
$F_{DEV}$	Maximum deviation of input clock frequency during SSC	-	$\pm 3$	%	
$F_{MOD}$	Maximum modulation frequency of input clock during SSC	-	200	KHz	



< Spread Spectrum >



# Product Specification

M270HVN02.0

AU OPTRONICS CORPORATION

## 5.2 Backlight Unit

Parameter guideline for LED driving is under stable conditions at 25 °C (Room Temperature):

Symbol	Description	Min.□	Typ.	Max.	Unit	Note
IRLED1	LED Forward Current	-	110	115.5	[mA]	Note 1
IRLED2						
IRLED3						
IRLED4						
VLB	Light Bar Operation Voltage (for reference)	44.25	49.5	54	[Volt]	Note 2
PBLU	BLU Power Consumption (for reference)	-	21.78	24.95	[Watt]	Note 3
LTLED	LED Life Time (Typical)	30,000	-	-	[Hour]	Note 4

Each module consists of 60 pcs LED ( 4 strings x 15 pcs / string )

*Note 1:* The specified current is 100% duty of LED chip input current, IRLED1,2,3,4 define as per strings LED current.

*Note 2:* The value showed is one string operation voltage.

*Note 3:*  $PBLU = VLED * (IRLED1 + IRLED2 + IRLED3 + IRLED4)$

*Note 4:* Definition of life time: Brightness becomes to 50% of its original value. The minimum life time of LED unit is on the condition of IRLED = 110mA and 25±2°C (Room Temperature).



# Product Specification

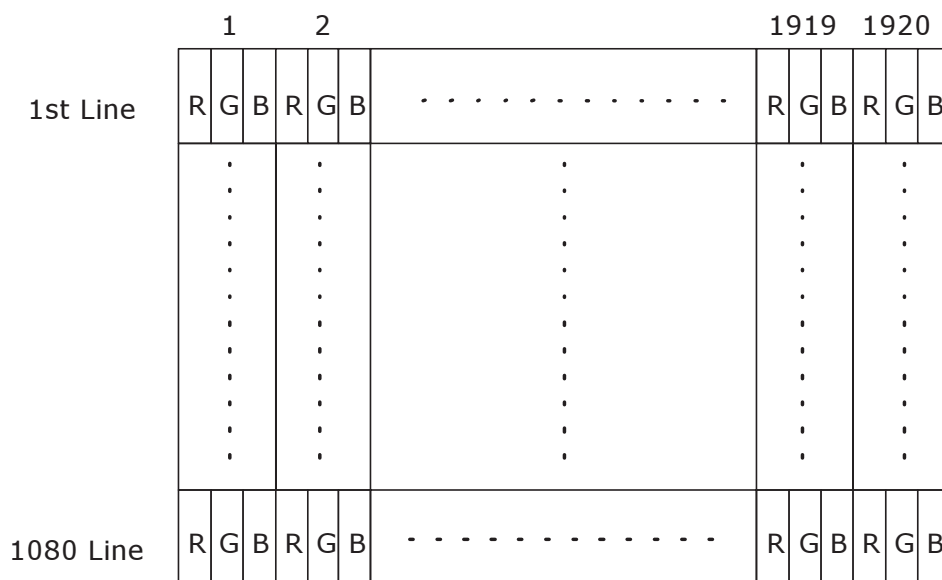
M270HVN02.0

AU OPTRONICS CORPORATION

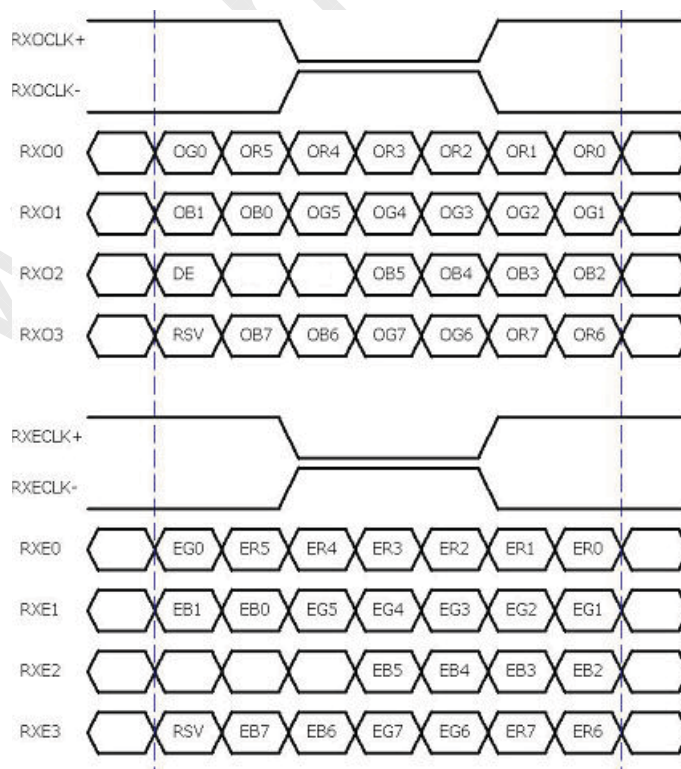
## 6 Signal Characteristics

### 6.1 Pixel Format Definition

Following figure shows the relationship between the input signals and LCD pixel format.



### 6.2 Input Data Format Definition



Note 1: R/G/B data 7:MSB, R/G/B data 0:LSB O = "Odd Pixel Data" E = "Even Pixel Data"



# Product Specification

M270HVN02.0

AU OPTRONICS CORPORATION

## 6.3 Signal Description

PIN #	SIGNAL NAME	DESCRIPTION
1	RxOIN0-	Negative LVDS differential data input (Odd data)
2	RxOIN0+	Positive LVDS differential data input (Odd data)
3	RxOIN1-	Negative LVDS differential data input (Odd data)
4	RxOIN1+	Positive LVDS differential data input (Odd data)
5	RxOIN2-	Negative LVDS differential data input (Odd data, DSPTMG)
6	RxOIN2+	Positive LVDS differential data input (Odd data, DSPTMG)
7	GND	Power Ground
8	RxOCLK-	Negative LVDS differential clock input (Odd clock)
9	RxOCLK+	Positive LVDS differential clock input (Odd clock)
10	RxOIN3-	Negative LVDS differential data input (Odd data)
11	RxOIN3+	Positive LVDS differential data input (Odd data)
12	RxEIN0-	Negative LVDS differential data input (Even data)
13	RxEIN0+	LVDS differential data input (Even data)
14	GND	Power Ground
15	RxEIN1-	Negative LVDS differential data input (Even data)
16	RxEIN1+	Positive LVDS differential data input (Even data)
17	GND	Power Ground
18	RxEIN2-	Negative LVDS differential data input (Even data)
19	RxEIN2+	Positive LVDS differential data input (Even data)
20	RxECLK-	Negative LVDS differential clock input (Even clock)
21	RxECLK+	Positive LVDS differential clock input (Even clock)
22	RxEIN3-	Negative LVDS differential data input (Even data)
23	RxEIN3+	Positive LVDS differential data input (Even data)
24	GND	Power Ground
25	NC	No connection (for AUO test only. Do not connect)
26	NC	No connection (for AUO test only. Do not connect)
27	NC	No connection (for AUO test only. Do not connect)
28	VDD	Power +5V
29	VDD	Power +5V
30	VDD	Power +5V

Note 1: Input signals of odd and even clock shall be the same timing.

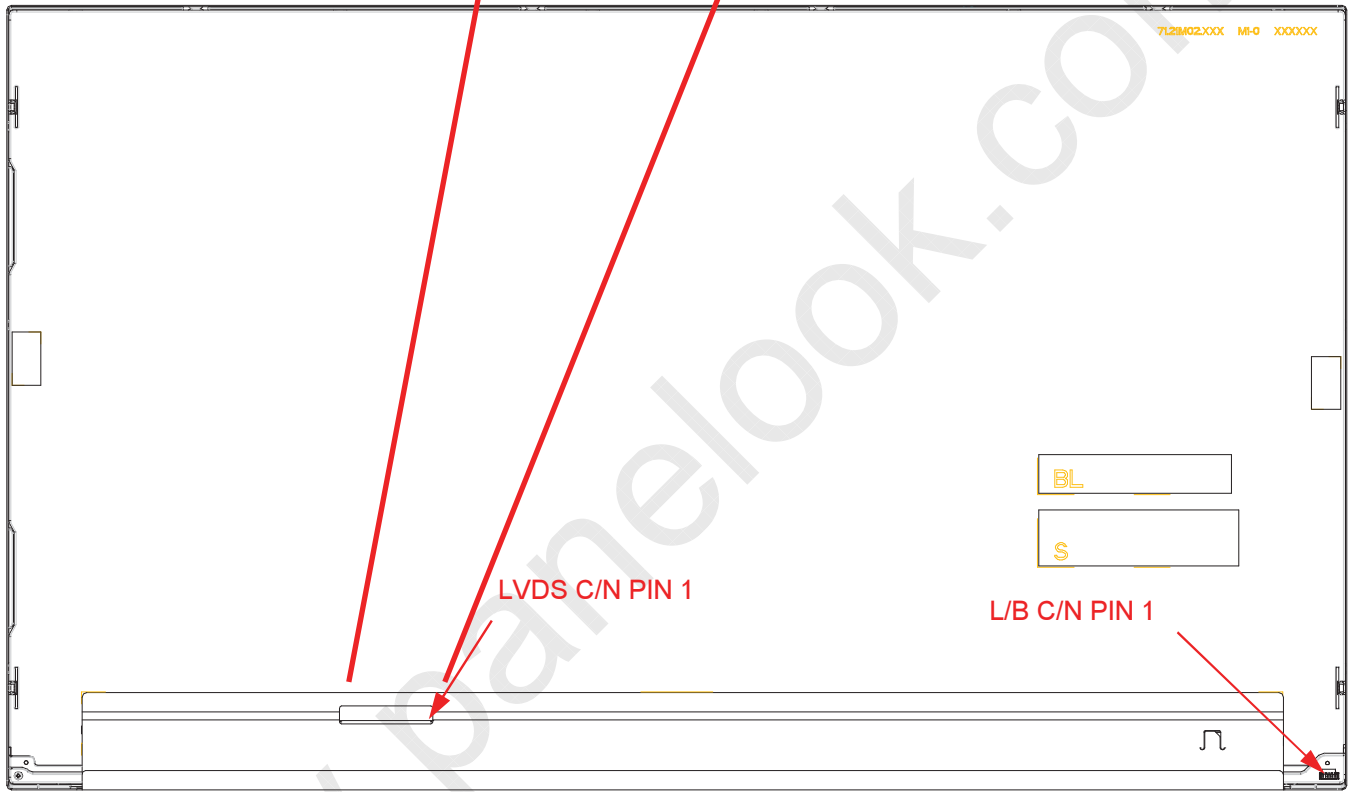
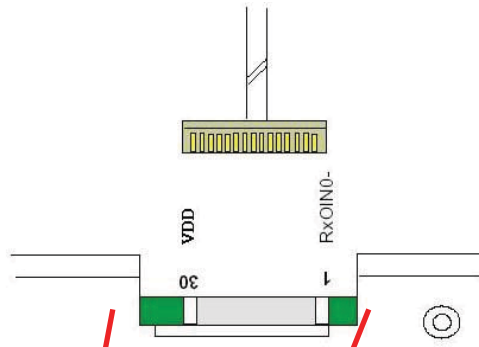




# Product Specification

M270HVN02.0

AU OPTRONICS CORPORATION





# Product Specification

M270HVN02.0

AU OPTRONICS CORPORATION

## 6.4 Timing Characteristics

The input signal timing specifications are shown as the following table

Signal	Item	Symbol	Min	Typ	Max	Unit
Vertical Section	Period	$T_v$	1092	1130	1793	Th
	Active	$T_{disp(v)}$	1080	1080	1080	Th
	Blanking	$T_{bp(v)}+T_{fp(v)}+PW_{vs}$	12	50	713	Th
Horizontal Section	Period	$T_h$	1004	1050	1100	Tclk
	Active	$T_{disp(h)}$	960	960	960	Tclk
	Blanking	$T_{bp(h)}+T_{fp(h)}+PW_{hs}$	44	90	140	Tclk
Clock	Period	Tclk	11.1	14.0	18.2	ns
	Frequency	Freq	54.8	71.2	90.0	MHz
Frame rate	Frame rate	VFreq	50	60	76	Hz
Hsync Frequency	Hsync Frequency	HFreq	55	68	90	KHz

Note 1: DE mode only

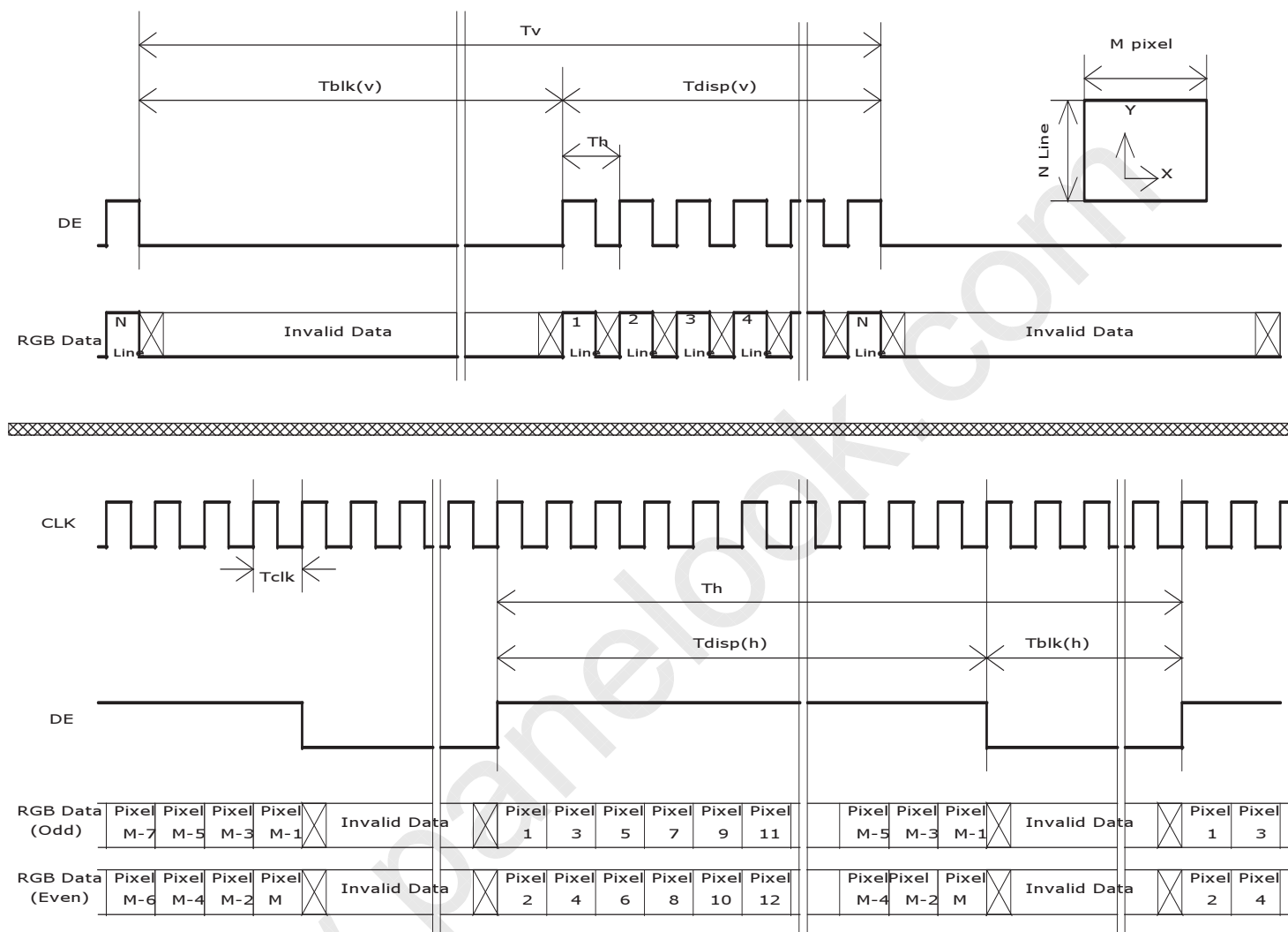


# Product Specification

M270HVN02.0

AU OPTRONICS CORPORATION

## 6.5 Timing Diagram





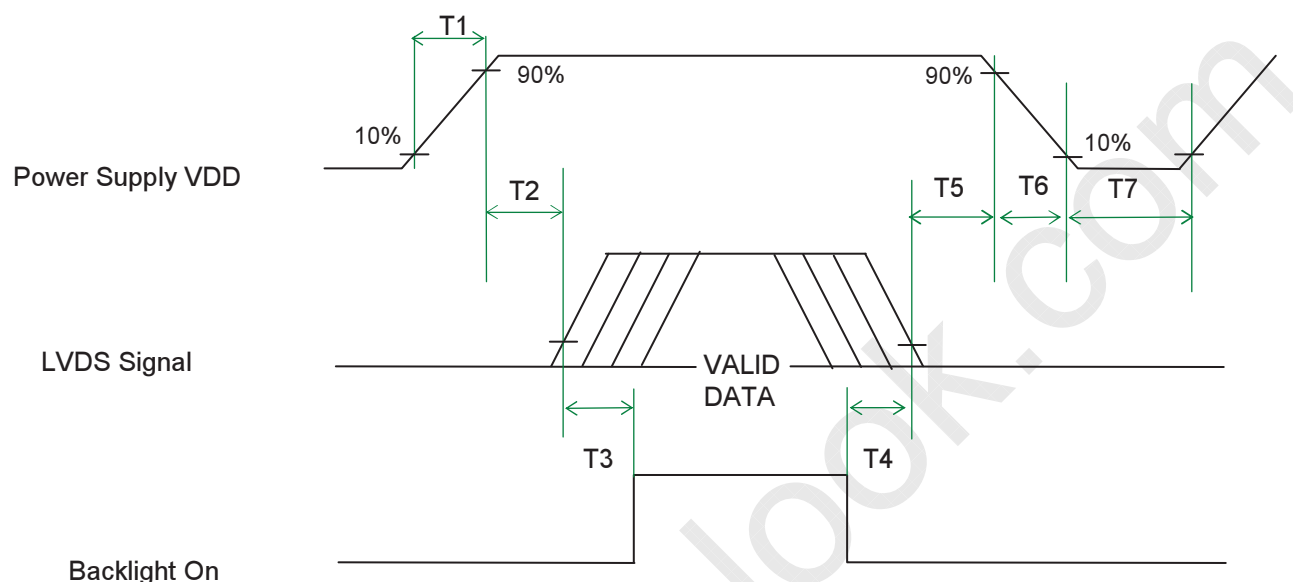
# Product Specification

M270HVN02.0

AU OPTRONICS CORPORATION

## 6.6 Power ON/OFF Sequence

VDD power and lamp on/off sequence are as follows. Interface signals are also shown in the chart. Signals from any system shall be Hi-Z state when VDD is off.



Power Sequence Timing

Parameter	Value			Unit
	Min.	Typ.	Max.	
T1	0.5	-	10	[ms]
T2	0	-	50	[ms]
T3	500	-	-	[ms]
T4	100	-	-	[ms]
T5	0	-	50	[ms] Note1,2
T6	5	-	100	[ms] Note1,2
T7	1000	-	-	[ms]

Note1 : Recommend setting T5 = 0ms to avoid electronic noise when VDD is off.

Note2 : During T5 and T6 period , please keep the level of input LVDS signals with Hi-Z state.



# Product Specification

M270HVN02.0

AU OPTRONICS CORPORATION

## 7 Connector and Pin Assignment

Physical interface is described as for the connector on module. These connectors are capable of accommodating the following signals and will be following components.

### 7.1 TFT LCD Module

Connector Name / Designation	Interface Connector / Interface Card
Manufacturer	STM P-TWO
Type Part Number	MSCKT2407P30HB AL230F-A0G1D-P
Mating Housing Part Number	FI-X30HL (Locked Type)

#### 7.1.1 Pin Assignment

Pin#	Signal Name	Pin#	Signal Name
1	RxOIN0-	2	RxOIN0+
3	RxOIN1-	4	RxOIN1+
5	RxOIN2-	6	RxOIN2+
7	GND	8	RxOCLKIN-
9	RxOCLKIN+	10	RxOIN3-
11	RxOIN3+	12	RxEIN0-
13	RxEIN0+	14	GND
15	RxEIN1-	16	RxEIN1+
17	GND	18	RxEIN2-
19	RxEIN2+	20	RxECLKIN-
21	RxECLKIN+	22	RxEIN3-
23	RxEIN3+	24	GND
25	NC (for AUO test only. Do not connect)	26	NC (for AUO test only. Do not connect)
27	NC (for AUO test only. Do not connect)	28	VDD
29	VDD	30	VDD



# Product Specification

M270HVN02.0

AU OPTRONICS CORPORATION

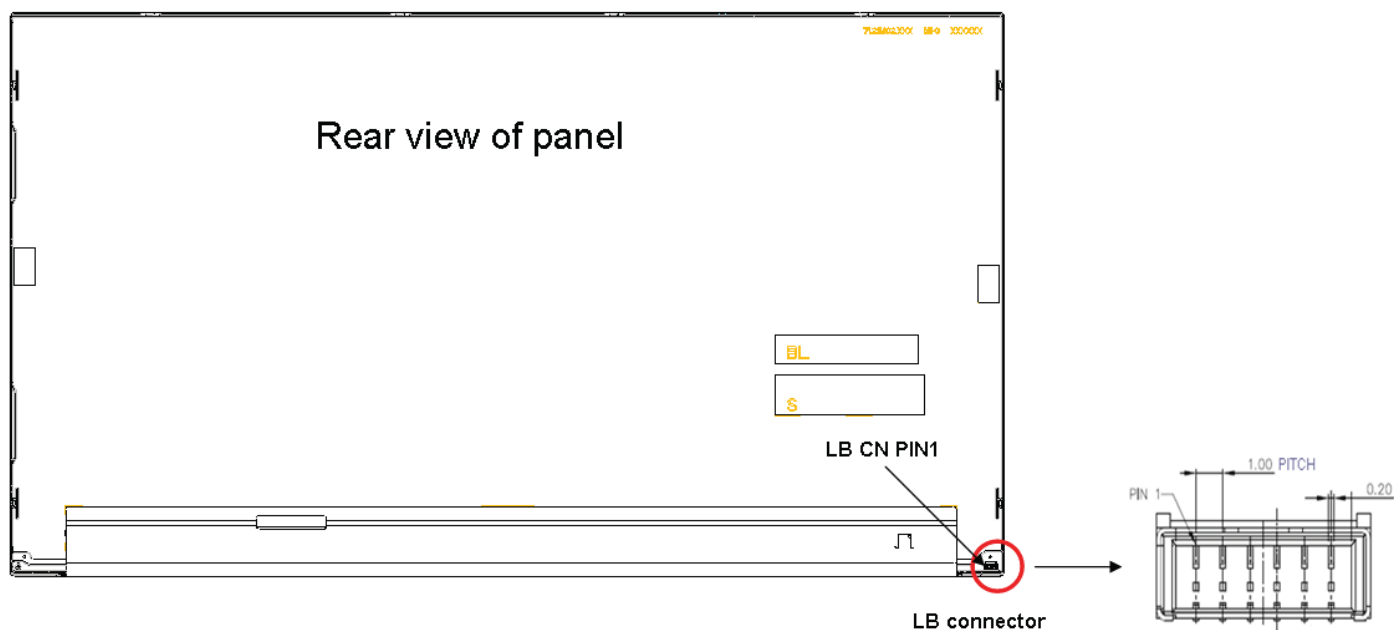
## 7.2 LED Connector on Backlight Unit

This connector is mounted on LED light bar.

Connector Name / Designation	Light Bar Connector
Manufacturer	E&T(ENTERY)
Type Part Number	3707K-S06N-21R
Mating Housing Part Number	H112K-P06N-13B (Locked Type)

### 7.2.1 LED Pin assignment

Pin#	Signal Name
1	IRLED (current out)
2	IRLED (current out)
3	VLED (voltage in)
4	VLED (voltage in)
5	IRLED (current out)
6	IRLED (current out)







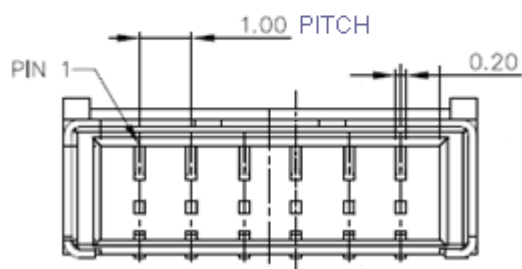
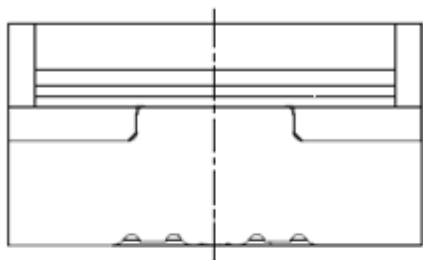
# Product Specification

M270HVN02.0

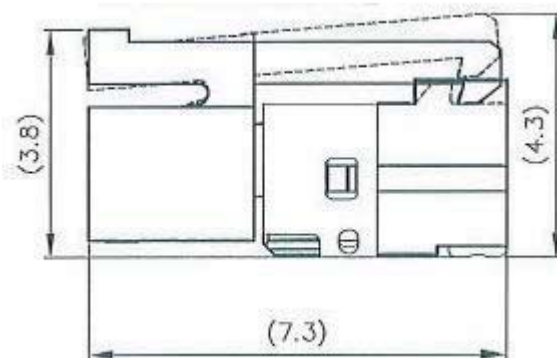
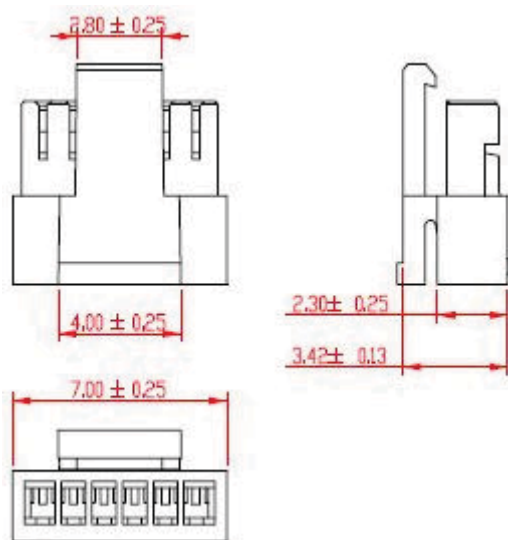
AU OPTRONICS CORPORATION

## 7.2.2 LED Connector Dimension

$$H \times V \times D = 13.9 \times 3.00 \times 4.25, \text{Pitch} = 1.0 (\text{unit} = \text{mm})$$



## 7.2.3 LED Mating housing dimension





# Product Specification

M270HVN02.0

AU OPTRONICS CORPORATION

## 8 Reliability Test

Environment test conditions are listed as following table.

Items	Required Condition	Note
Temperature Humidity Bias (THB)	Ta= 50°C, 80%RH, 300 hours	
High Temperature Operation (HTO)	Ta= 50°C, 50%RH, 300 hours	
Low Temperature Operation (LTO)	Ta= 0°C, 300 hours	
High Temperature Storage (HTS)	Ta= 60°C, 300 hours	
Low Temperature Storage (LTS)	Ta= -20°C, 300 hours	
Vibration Test (Non-operation)	Acceleration: 1.5 Grms Wave: Random Frequency: 10 - 200 Hz Duration: 30 Minutes each Axis (X, Y, Z)	
Shock Test (Non-operation)	Acceleration: 50 G Wave: Half-sine Active Time: 20 ms Direction: ±X, ±Y, ±Z (one time for each Axis)	
Drop Test	Height: 46 cm, package test	
Thermal Shock Test (TST)	-20°C/30min, 60°C/30min, 100 cycles	Note 1
On/Off Test	On/10sec, Off/10sec, 30,000 cycles	
ESD (Electro Static Discharge)	Contact Discharge: ± 15KV, 150pF(330Ω ) 1sec, 15 points, 25 times/ point	Note 2
	Air Discharge: ± 15KV, 150pF(330Ω ) 1sec 15 points, 25 times/ point	
Altitude Test	Operation: 18,000 ft Non-Operation: 40,000 ft	Note 3

**Note 1:** The TFT-LCD module will not sustain damage after being subjected to 100 cycles of rapid temperature change. A cycle of rapid temperature change consists of varying the temperature from -20°C to 60°C, and back again. Power is not applied during the test. After temperature cycling, the unit is placed in normal room ambient for at least 4 hours before power on.

**Note 2:** EN61000-4-2, ESD class B: Certain performance degradation allowed:

- No data lost
- Self-recoverable
- No hardware failures



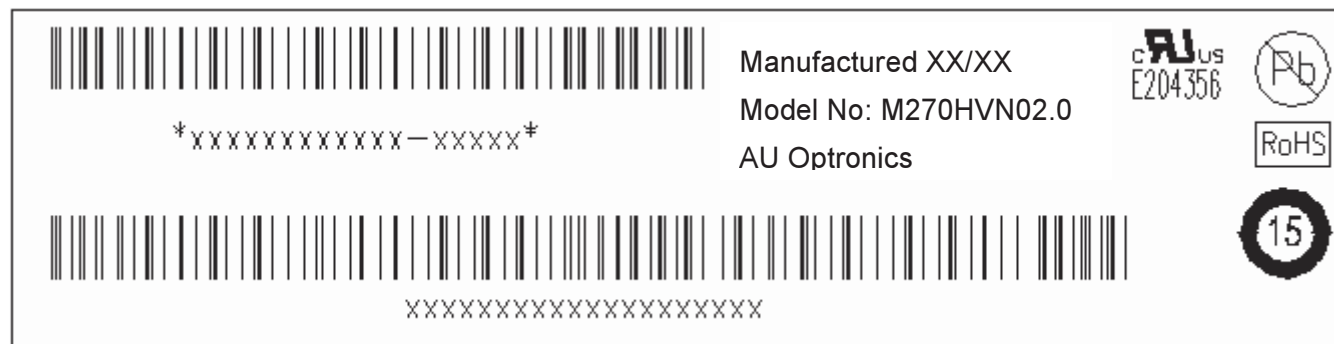
## Product Specification

M270HVN02.0

AU OPTRONICS CORPORATION

### 9 Shipping Label

The label on the panel is shown as below:



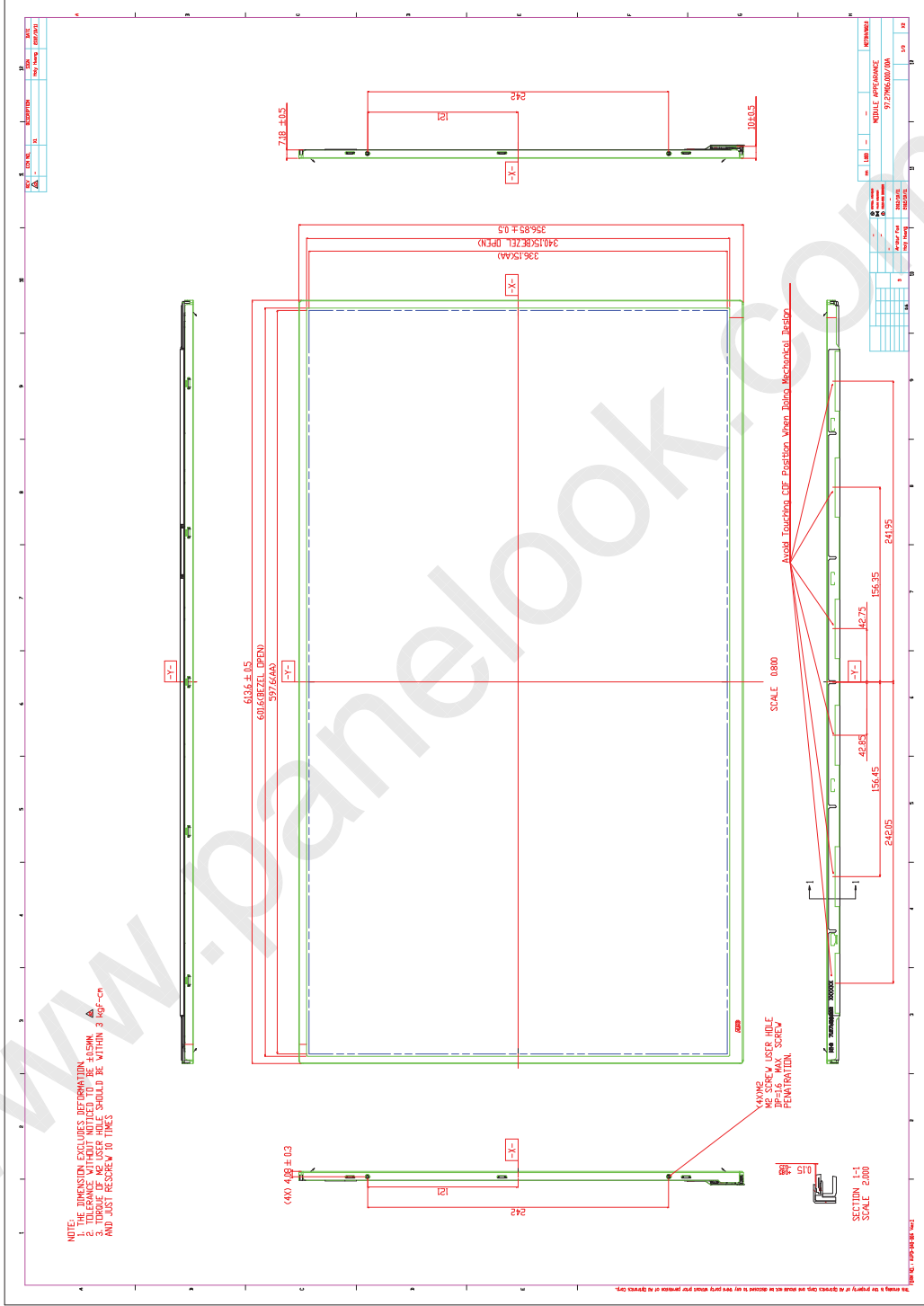
*Note 1:* For Pb Free products, AUO will add  for identification.

*Note 2:* For RoHS compatible products, AUO will add  for identification.

*Note 3:* For China RoHS compatible products, AUO will add  for identification.

*Note 4:* The Green Mark will be presented only when the green documents have been ready by AUO Internal Green Team.

## 10 Mechanical Characteristics



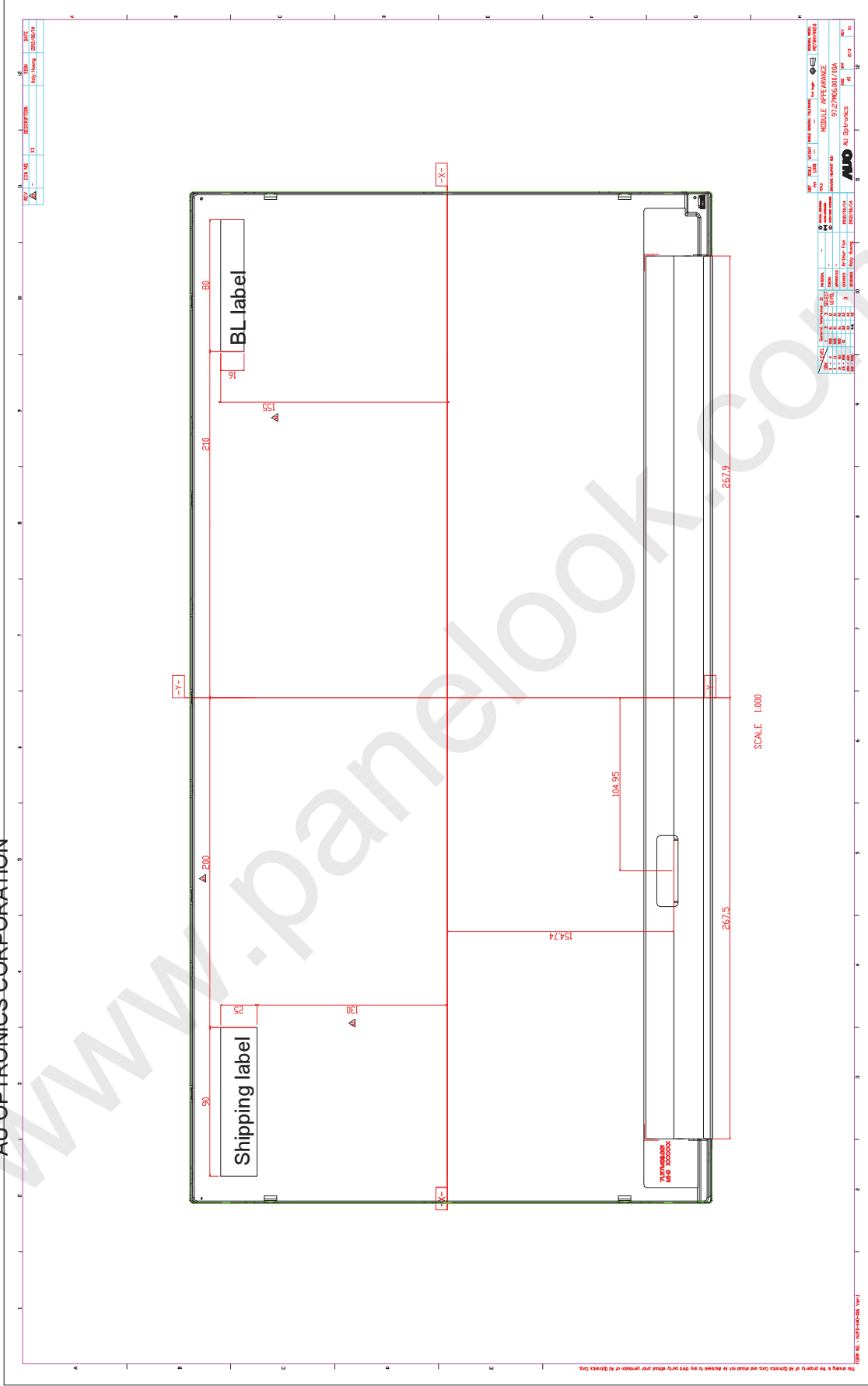
Front View



# Product Specification

M270HVN02.0

AU OPTRONICS CORPORATION



Back View

**Avoid touching COF position  
when doing mechanical design**



COF Position





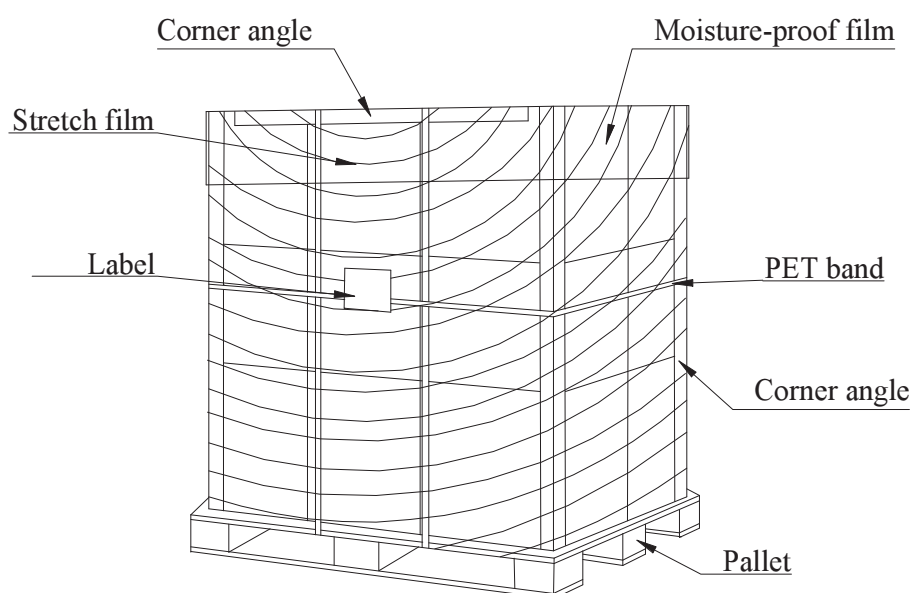
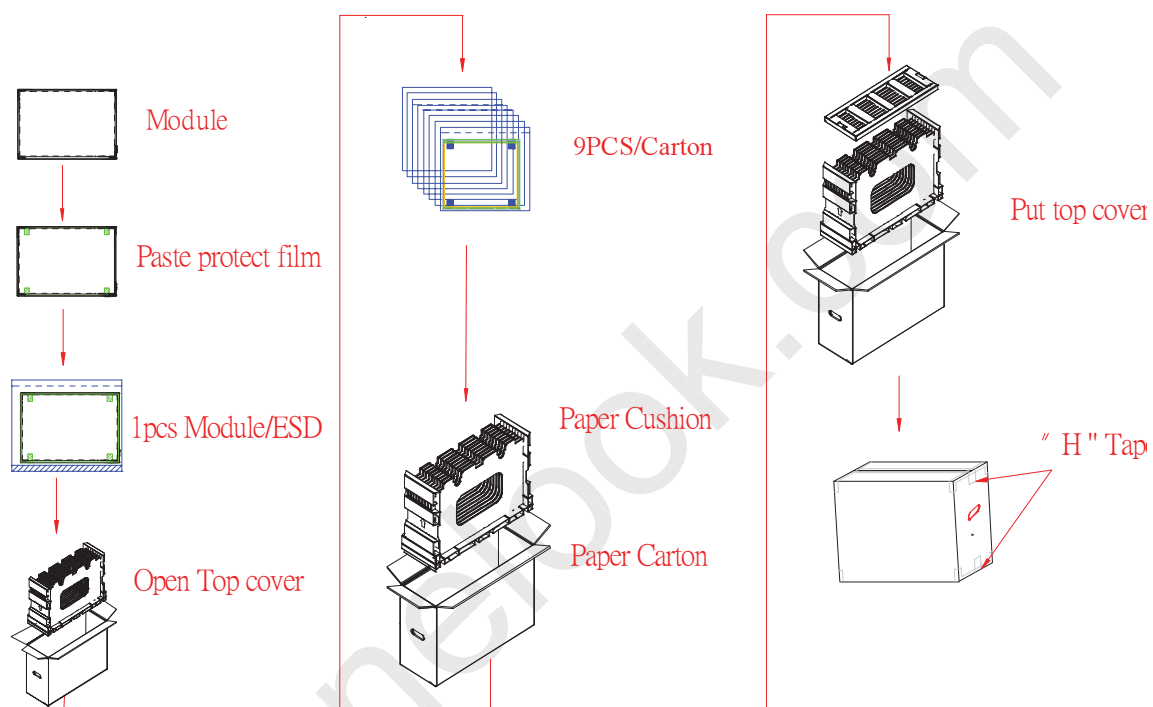
# Product Specification

M270HVN02.0

AU OPTRONICS CORPORATION

## 11 Packing Specification

### 11.1 Packing Flow





# Product Specification

M270HVN02.0

AU OPTRONICS CORPORATION

## 11-2 Pallet and shipment information

	Item	Specification			Remark
		Q'ty	Dimension	Weight(kg)	
1	Panel	1	630(H)mm x 368.2(V)mm x 10(D)mm	2.180	
2	Cushion	1	-	4.41	
3	Box	1	720(L)mm x 264(W)mm x 460(H)mm	1.35	without Panel & cushion
4	Packing Box	9 pcs/Box	720(L)mm x 264(W)mm x 460(H)mm	25.39	with panel & cushion
5	Pallet	1	1070(L)mm x 740(W)mm x 138(H)mm	12.9	
6	Pallet after Packing	8 boxes/pallet	1070(L)mm x 740(W)mm x 138(H)mm	216	