



# Product Specification

M270HW02 V3

AU OPTRONICS CORPORATION

( ) Preliminary Specification  
(V) Final Specification

<b>Module</b>	27" Color TFT-LCD
<b>Model Name</b>	M270HW02 V3

Customer	Date	Approved by	Date
_____	_____	<i>Howard Lee</i>	2012/1/3
<b>Approved by</b>		<b>Prepared by</b>	
_____	_____	<i>Glenn Chan</i>	2012/1/3
Note: This Specification is subject to change without notice.		Desktop Display Business Group / AU Optronics corporation	



## Contents

<b>1.0 Handling Precautions</b> .....	<b>4</b>
<b>2.0 General Description</b> .....	<b>5</b>
2.1 Display Characteristics.....	5
2.2 Optical Characteristics .....	6
<b>3.0 Functional Block Diagram</b> .....	<b>10</b>
<b>4.0 Absolute Maximum Ratings</b> .....	<b>11</b>
4.1 TFT LCD Module.....	11
4.2 Backlight Unit .....	11
4.3 Absolute Ratings of Environment.....	11
<b>5.0 Electrical characteristics</b> .....	<b>12</b>
5.1 TFT LCD Module.....	12
5.1.1 Power Specification .....	12
5.1.2 Signal Electrical Characteristics .....	13
5.2 Backlight Unit .....	15
<b>6.0 Signal Characteristic</b> .....	<b>16</b>
6.1 Pixel Format Image .....	16
6.2 The input data format.....	16
6.3 Signal Description .....	17
6.4 Timing Characteristics.....	19
6.5 Timing diagram .....	20
6.6 Power ON/OFF Sequence .....	21
<b>7.0 Connector &amp; Pin Assignment</b> .....	<b>22</b>
7.1 TFT LCD Module.....	22
7.1.1 Pin Assignment.....	22
7.2 Connector on Backlight Unit. ....	23
7.2.1 Pin assignment .....	23
<b>8.0 Reliability Test</b> .....	<b>24</b>
<b>9.0 Shipping Label</b> .....	<b>25</b>
<b>10.0 Mechanical Characteristics</b> .....	<b>26</b>
<b>11. Packing Specification</b> .....	<b>28</b>
11-1 packing procedure.....	28
11-2 Pallet and shipment information .....	29



# Product Specification

M270HW02 V3

AU OPTRONICS CORPORATION

## Record of Revision

Version and Date	Page	Old description	New Description	Remark
V0.1 2011/7/1			First version for all customers	
V0.2 2011/9/7	5	Weight TBC	Weight data update	
	6	Color / Chromaticity TBC	Color / Chromaticity data update	
	15	5.2 Backlight Unit	Power consumption data update	
	18	Input signals of odd and even clock shall be the same timing	Increase CNT Pin NO. figure	
	26	Appearance figure	Appearance figure update	
V0.3 2011/11/10	10	Part number: 093F30-00T01AM4	Part number: 093F30-S0T01AM4	
	22	FI-XPB30SRLAHF11	FI-XPB30SRLAHF11	
V0.4 2011/12/27	26	Tolerance of front bezel dimensions Length: 630±0.4, Width: 368.2±0.3	Tolerance of front bezel dimensions Length: 630±0.5, Width: 368.2±0.5	



## 1.0 Handling Precautions

- 1) Since front polarizer is easily damaged, pay attention not to scratch it.
- 2) Be sure to turn off power supply when inserting or disconnecting from input connector.
- 3) Wipe off water drop immediately. Long contact with water may cause discoloration or spots.
- 4) When the panel surface is soiled, wipe it with absorbent cotton or other soft cloth.
- 5) Since the panel is made of glass, it may break or crack if dropped or bumped on hard surface.
- 6) Since CMOS LSI is used in this module, take care of static electricity and insure human earth when handling.
- 7) Do not open or modify the Module Assembly.
- 8) Do not press the reflector sheet at the back of the module to any directions.
- 9) In case if a Module has to be put back into the packing container slot after once it was taken out from the container, do not press the center of the LED lightbar edge. Instead, press at the far ends of the LED light bar edge softly. Otherwise the TFT Module may be damaged.
- 10) At the insertion or removal of the Signal Interface Connector, be sure not to rotate nor tilt the Interface Connector of the TFT Module.
- 11) After installation of the TFT Module into an enclosure, do not twist nor bend the TFT Module even momentary. At designing the enclosure, it should be taken into consideration that no bending/twisting forces are applied to the TFT Module from outside. Otherwise the TFT Module may be damaged.
- 12) Small amount of materials having no flammability grade is used in the LCD module. The LCD module should be supplied by power complied with requirements of Limited Power Source (IEC60950 or UL1950), or be applied exemption.
- 13) Please avoid touching COF position while you are doing mechanical design.
- 14) When storing modules as spares for a long time, the following precaution is necessary:  
Store them in a dark place. Do not expose the module to sunlight or fluorescent light. Keep the temperature between 5°C and 35°C at normal humidity.



# Product Specification

M270HW02 V3

AU OPTRONICS CORPORATION

## 2.0 General Description

This specification applies to the 27 inch-FHD Color a-Si TFT-LCD Module M270HW02. The display supports the FHD - 1920(H) x 1080(V) screen format and 16.7M colors (RGB 8-bits). The light source of this TFT-LCD module is W-LED. All input signals are 2-channel LVDS interface and this module doesn't contain a driver for backlight.

## 2.1 Display Characteristics

The following items are characteristics summary on the table under 25°C condition:

ITEMS	Unit	SPECIFICATIONS
Screen Diagonal	[mm]	685.65(27.0")
Active Area	[mm]	597.6 (H) x 336.15 (V)
Pixels H x V		1920(x3) x 1080
Pixel Pitch	[um]	311.25 (per one triad) x311.25
Pixel Arrangement		R.G.B. Vertical Stripe
Display Mode		VA Mode, Normally Black
White Luminance ( Center )	[cd/m <sup>2</sup> ]	300 cd/m <sup>2</sup> (Typ.)
Contrast Ratio		5000(Typ.)
Optical Response Time	[msec]	12ms (Typ., on/off)
Nominal Input Voltage VDD	[Volt]	+5.0 V (Typ)
Power Consumption (VDD line + LED line)	[Watt]	19.23 W (Typ.) (without inverter, all white pattern)
Weight	[Grams]	2350 Typ.
Physical Size	[mm]	630.0(H)x368.2(V)x10.0(D)
Electrical Interface		Dual channel LVDS
Support Color		16.7M colors (RGB 8-bit )
Surface Treatment		Anti-Glare, 3H
Temperature Range		0 to +50
Operating	[°C]	-20 to +60
Storage (Shipping)	[°C]	
RoHS Compliance		RoHS Compliance
TCO Compliance		TCO 5.1 Compliance



# Product Specification

M270HW02 V3

AU OPTRONICS CORPORATION

## 2.2 Optical Characteristics

The optical characteristics are measured under stable conditions at 25°C:

Item	Unit	Conditions	Min.	Typ.	Max.	Note
Viewing Angle	[degree]	Horizontal (Right) CR = 10 (Left)	150	178	-	<b>2</b>
		Vertical (Up) CR = 10 (Down)	150	178	-	
Contrast ratio		Normal Direction	4000	5000	-	<b>3</b>
Response Time	[msec]	Raising Time ( $T_{rR}$ )	-	7	9	<b>4</b>
		Falling Time ( $T_{rF}$ )	-	5	7	
		Raising + Falling	-	12	16	
Color / Chromaticity Coordinates (CIE)		Red x	0.613	0.643	0.673	<b>5</b>
		Red y	0.304	0.334	0.364	
		Green x	.0.298	0.328	0.358	
		Green y	0.6	0.63	0.66	
		Blue x	0.124	0.154	0.184	
		Blue y	0.019	0.049	0.079	
Color Coordinates (CIE) White		White x	0.283	0.313	0.343	<b>5</b>
		White y	0.299	0.329	0.359	
Central Luminance	[ $\text{cd}/\text{m}^2$ ]		240	300	-	<b>6</b>
Luminance Uniformity	[%]		75	80	-	<b>7</b>
Crosstalk (in 60Hz)	[%]				1.5	<b>8</b>
Flicker	dB				-20	<b>9</b>



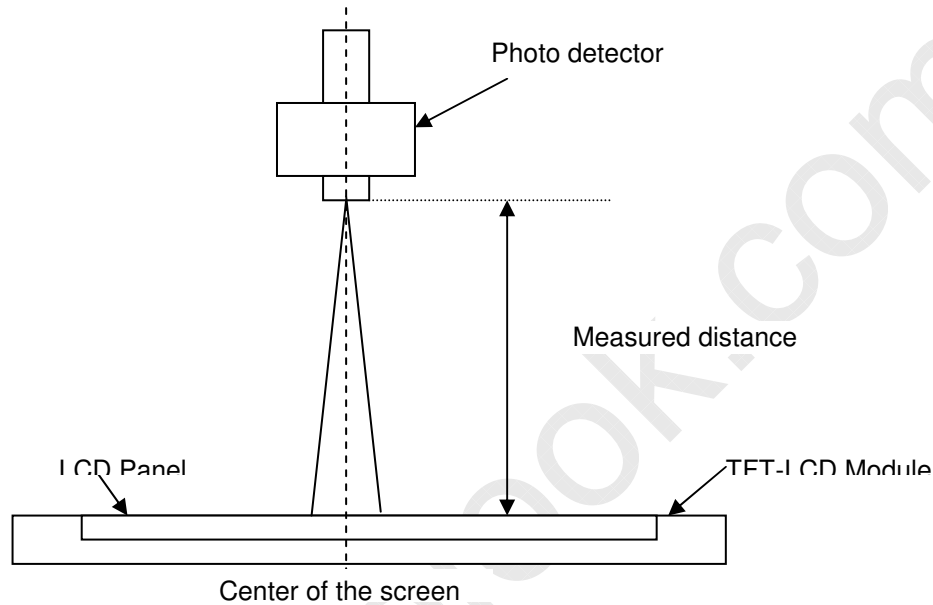
# Product Specification

M270HW02 V3

AU OPTRONICS CORPORATION

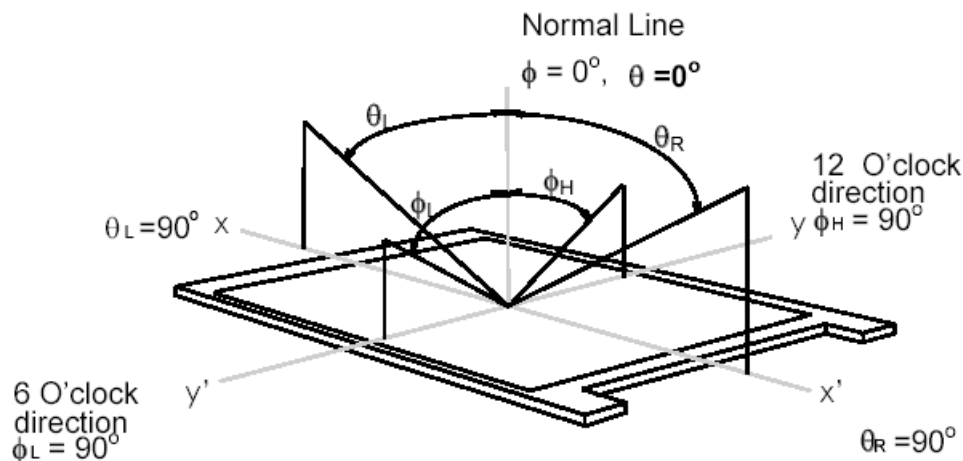
## Note 1: Measurement method

The LCD module should be stabilized at given temperature for 30 minutes to avoid abrupt temperature change during measuring (at surface  $35^{\circ}\text{C}$ ). In order to stabilize the luminance, the measurement should be executed after lighting Backlight for 30 minutes in a stable, windless and dark room.



## Note 2: Definition of viewing angle measured by ELDIM (EZContrast 88)

Viewing angle is the measurement of contrast ratio  $\geq 10$ , at the screen center, over a  $180^{\circ}$  horizontal and  $180^{\circ}$  vertical range (off-normal viewing angles). The  $180^{\circ}$  viewing angle range is broken down as follows;  $90^{\circ}$  ( $\theta$ ) horizontal left and right and  $90^{\circ}$  ( $\phi$ ) vertical, high (up) and low (down). The measurement direction is typically perpendicular to the display surface with the screen rotated about its center to develop the desired measurement viewing angle.





# Product Specification

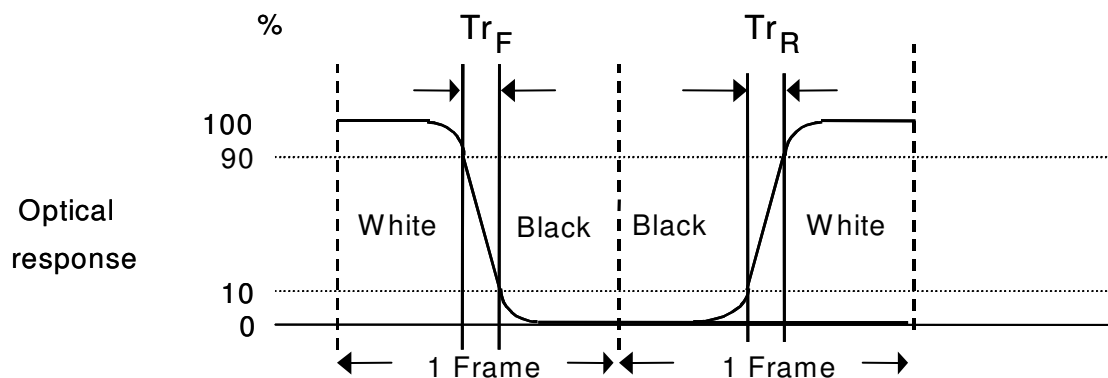
M270HW02 V3

AU OPTRONICS CORPORATION

**Note 3: Contrast ratio is** measured by TOPCON SR-3

**Note 4: Definition of Response time** measured by Westar TRD-100A

The output signals of photo detector are measured when the input signals are changed from "Full Black" to "Full White" (rising time,  $Tr_R$ ), and from "Full White" to "Full Black" (falling time,  $Tf_F$ ), respectively. The response time is interval between the 10% and 90% (1 frame at 60 Hz) of amplitudes.



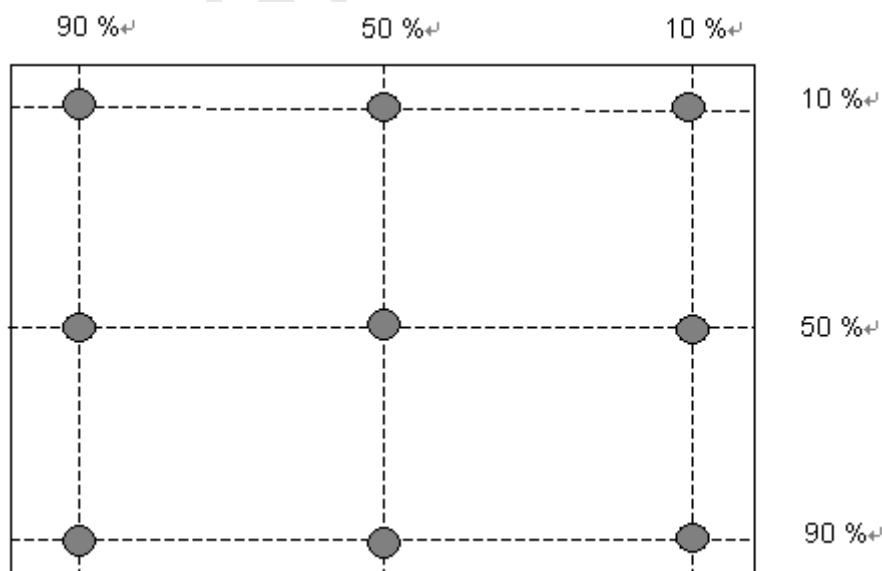
$Tr_R + Tf_F = 12$  msec (typ.).

Algorithm:  $| \text{Gray Level A} - \text{Gray Level B} | \geq 16$ , then the average gray to gray response time is 2 ms, ( $F = 60$  Hz).

**Note 5: Color chromaticity and coordinates (CIE)** is measured by TOPCON SR-3

**Note 6: Central luminance** is measured by TOPCON SR-3

**Note 7: Luminance uniformity of these 9 points** is defined as below and measured by TOPCON SR-3



$$\text{Uniformity} = \frac{\text{Minimum Luminance in 9 points (1-9)}}{\text{Maximum Luminance in 9 Points (1-9)}}$$





# Product Specification

M270HW02 V3

AU OPTRONICS CORPORATION

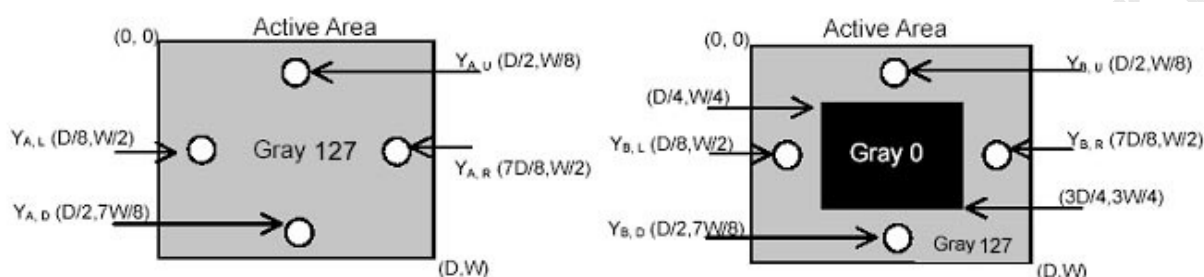
**Note 8: Crosstalk is defined as below and measured by TOPCON SR-3**

$$CT = |YB - YA| / YA \times 100 (\%)$$

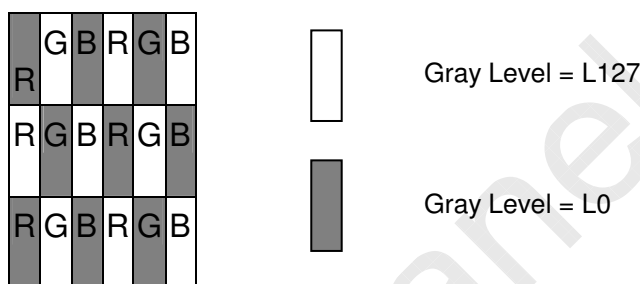
Where

YA = Luminance of measured location without gray level 0 pattern (cd/m<sup>2</sup>)

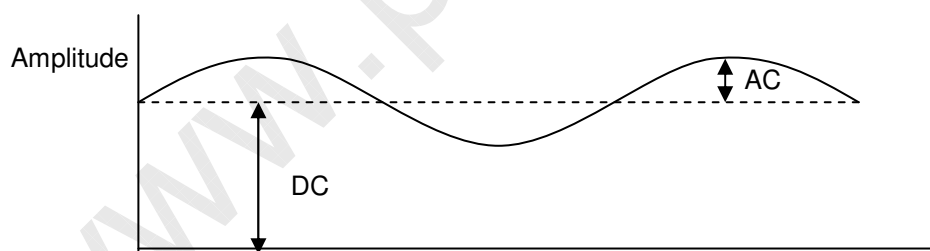
YB = Luminance of measured location with gray level 0 pattern (cd/m<sup>2</sup>)



**Note 9: Test Pattern: Subchecker Pattern measured by TOPCON SR-3**



Method: Record dBV & DC value with TRD-100



$$\text{Flicker (dB)} = 20 \log \frac{\text{AC Level (at 30 Hz)}}{\text{DC Level}}$$



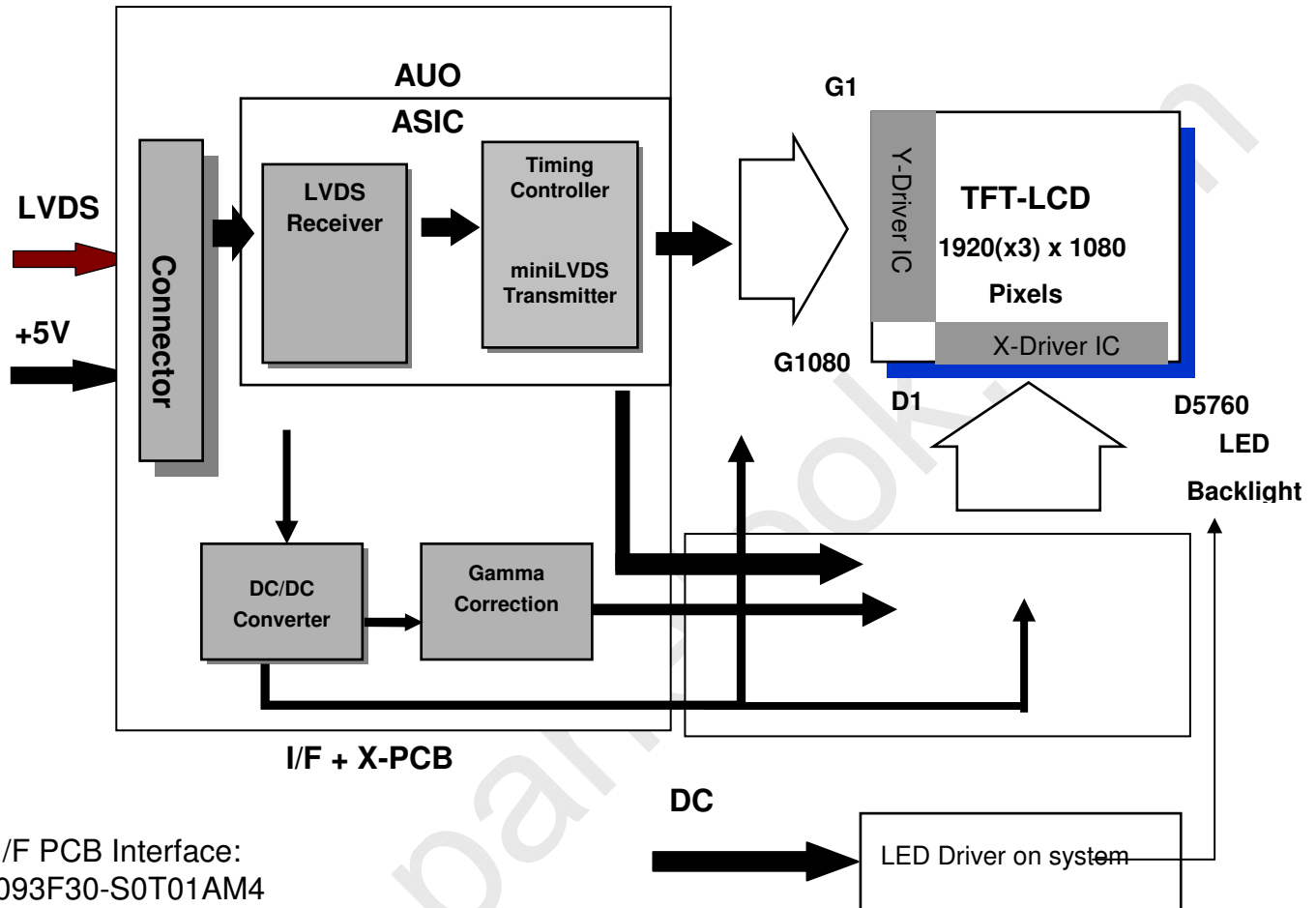
# Product Specification

M270HW02 V3

AU OPTRONICS CORPORATION

## 3.0 Functional Block Diagram

The following diagram shows the functional block of the 27.0 inch Color TFT-LCD Module:



I/F PCB Interface:  
 093F30-S0T01AM4  
 FI-XPB30SRLAHF11  
 Mating Type:  
 FI-X30HL(Locked Type)



# Product Specification

M270HW02 V3

AU OPTRONICS CORPORATION

## 4.0 Absolute Maximum Ratings

Absolute maximum ratings of the module are as following:

### 4.1 TFT LCD Module

Item	Symbol	Min	Max	Unit	Conditions
Logic/LCD Drive Voltage	VDD	0	5.5	[Volt]	<b>Note 1,2</b>

### 4.2 Backlight Unit

Item	Symbol	Typ	Max	Unit	Conditions
LED Current	ILED	70	TBD	[mA]	<b>Note 1,2</b>

### 4.3 Absolute Ratings of Environment

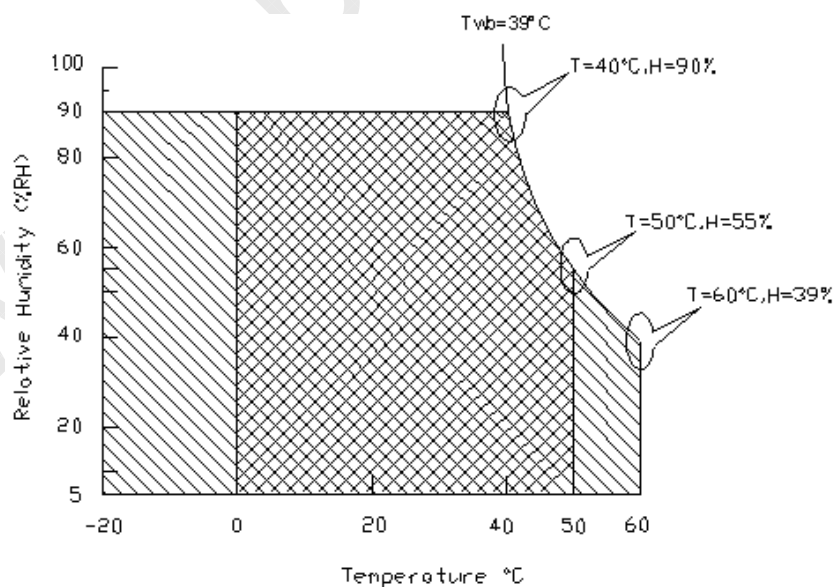
Item	Symbol	Min.	Max.	Unit	Conditions
Operating Temperature	TOP	0	+50	[°C]	<b>Note 3</b>
Center Glass surface temperature (operation)	TGS	0	+50	[°C]	
Operation Humidity	HOP	5	90	[%RH]	
Storage Temperature	TST	-20	+60	[°C]	
Storage Humidity	HST	5	90	[%RH]	

**Note 1:** With in Ta (25°C)

**Note 2:** Permanent damage to the device may occur if exceeding maximum values

**Note 3:** Temperature and relative humidity range are shown as the below figure.

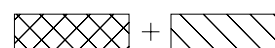
1. 90% RH Max ( Ta ≤ 39°C )
2. Max wet-bulb temperature at 39°C or less. ( Ta ≤ 39°C )
3. No condensation



Operating Range



Storage Range





# Product Specification

M270HW02 V3

AU OPTRONICS CORPORATION

## 5.0 Electrical characteristics

### 5.1 TFT LCD Module

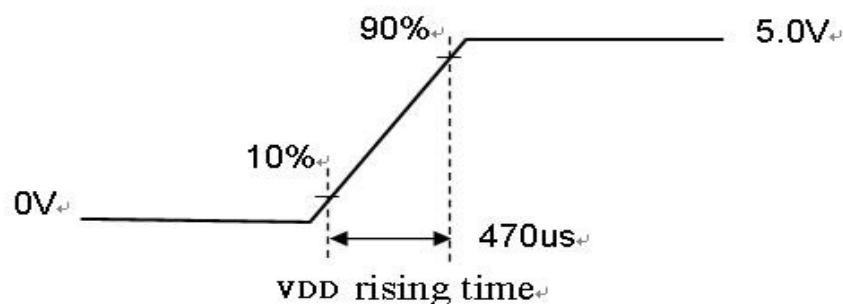
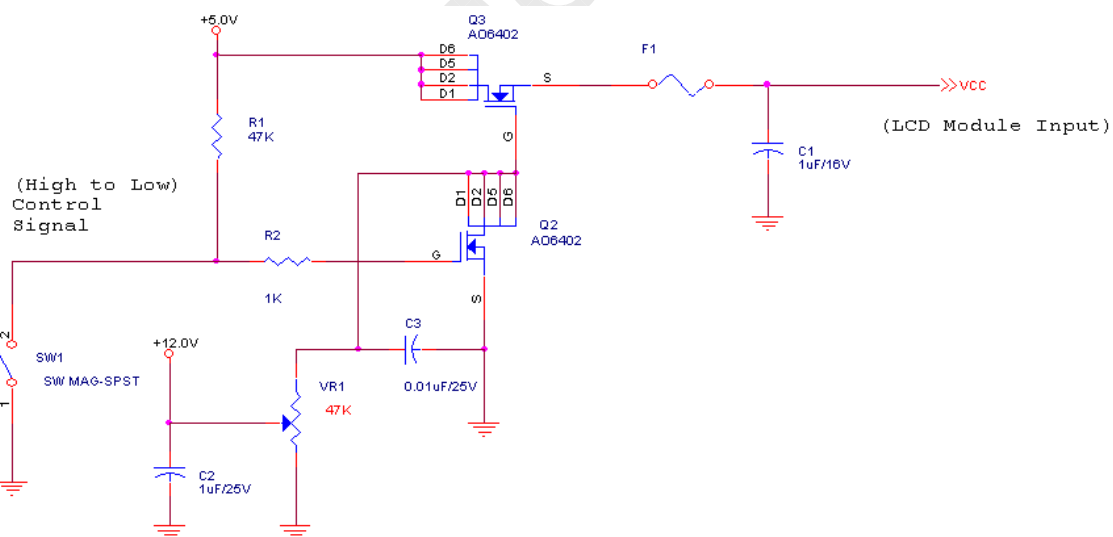
#### 5.1.1 Power Specification

Input power specifications are as following:

Symbol	Parameter	Min	Typ	Max	Unit	Conditions
VDD	Logic/LCD Drive Voltage	4.5	5.0	5.5	[Volt]	+/-10%
IDD	Input Current	-	0.8	1.0	[A]	VDD= 5.0V, All White Pattern At 60Hz,
		-	0.9	1.1		VDD= 5.0V, All White Pattern At 75Hz,
PDD	VDD Power	-	4.0	5.0	[Watt]	VDD= 5.0V, All White Pattern At 60Hz
		-	4.5	5.5		VDD= 5.0V, All White Pattern At 75Hz
IRush	Inrush Current	-	-	2.0	[A]	<b>Note 1</b>
VDDrp	Allowable Logic/LCD Drive Ripple Voltage	-	-	500	[mV] p-p	VDD= 5.0V, All White Pattern At 75Hz

**Note 1:** Measurement conditions:

The duration of rising time of power input is 470us.





# Product Specification

M270HW02 V3

AU OPTRONICS CORPORATION

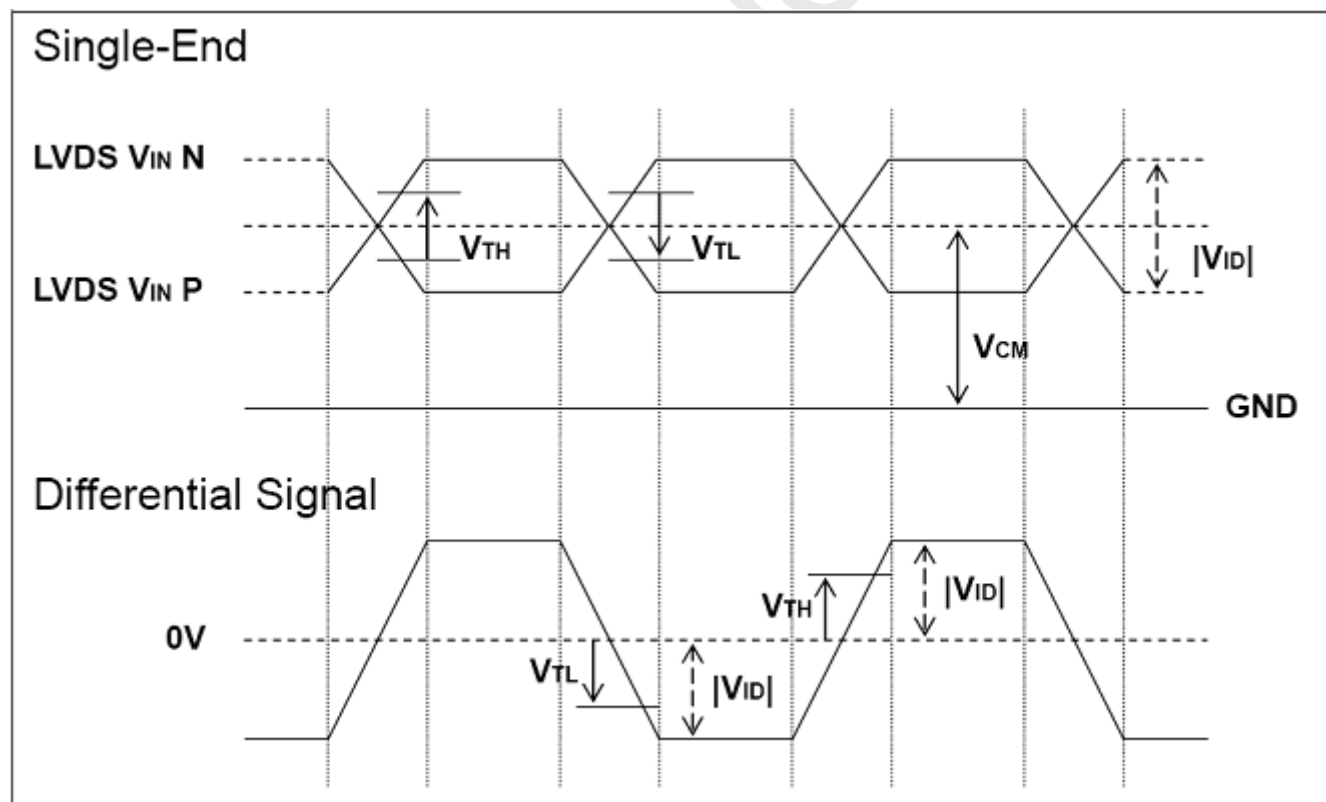
## 5.1.2 Signal Electrical Characteristics

Input signals shall be low or Hi-Z state when VDD is off. Please refer to specifications of SN75LVDS82DGG (Texas Instruments) in detail.

### 1. DC Characteristics of each signal are as following:

Symbol	Parameter	Min	Typ	Max	Units	Condition
V <sub>TH</sub>	Differential Input High Threshold	-	-	+100	[mV]	V <sub>ICM</sub> = 1.2V <b>Note 1</b>
V <sub>TL</sub>	Differential Input Low Threshold	-100	-	-	[mV]	V <sub>ICM</sub> = 1.2V <b>Note 1</b>
V <sub>ID</sub>	Input Differential Voltage	100	-	600	[mV]	<b>Note 1</b>
V <sub>ICM</sub>	Differential Input Common Mode Voltage	+1.0	+1.2	+1.5	[V]	V <sub>TH</sub> -V <sub>TL</sub> = 200mV (max) <b>Note 1</b>

**Note 1:** LVDS Signal Waveform





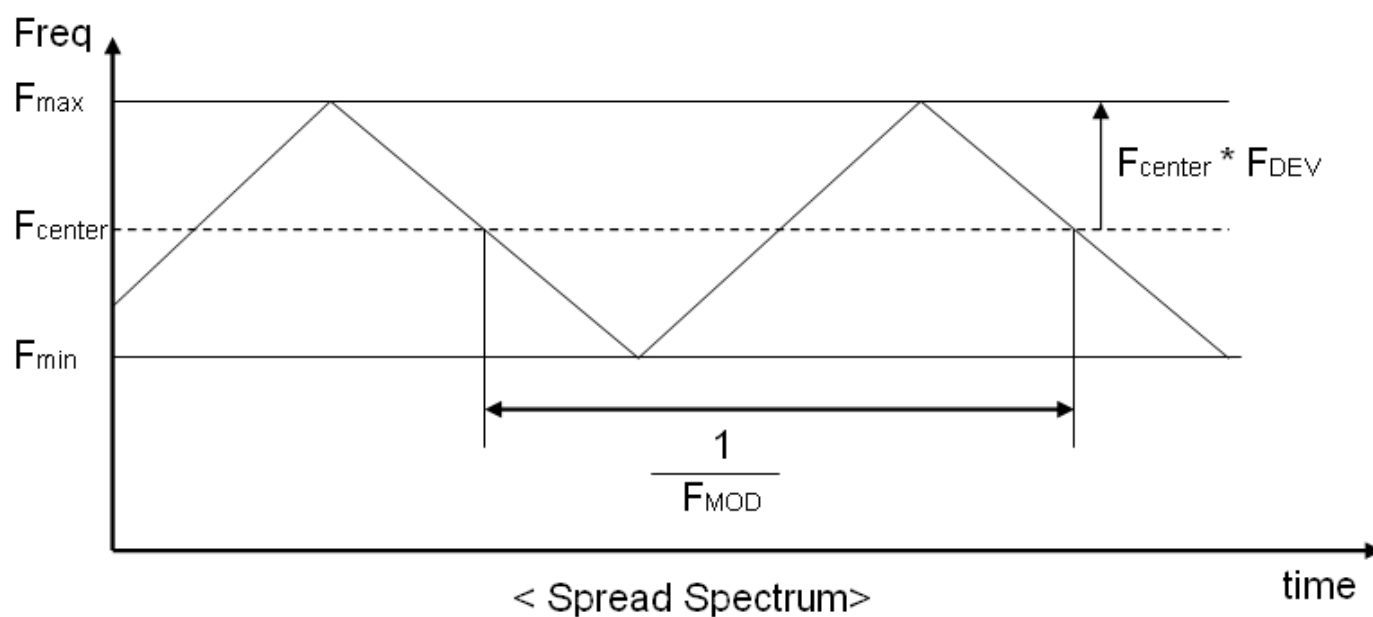
# Product Specification

M270HW02 V3

AU OPTRONICS CORPORATION

## 2. AC Characteristics

Description	Symbol	Min	Max	Unit	Note
Maximum deviation of input clock frequency during SSC	$F_{DEV}$	-	3	%	
Maximum modulation frequency of input clock during SSC	$F_{MOD}$	-	300	KHz	





# Product Specification

M270HW02 V3

AU OPTRONICS CORPORATION

## 5.2 Backlight Unit

Parameter guideline for LED driving is under stable conditions at 25°C (Room Temperature):

Symbol	Parameter	Min.	Typ.	Max.	Unit	Note
IR <sub>LED</sub>	LED Operation Current		70	73.5	[mA] Note 1	<b>Operating with fixed driving current</b>
V <sub>LB</sub>	Light Bar Operation Voltage (for reference)	51	54.4	57.8	[Volt] Note 2	
P <sub>BLU</sub>	BLU Power consumption (for reference)	-	15.23	16.99	[Watt]	
LT <sub>LED</sub>	LED life Time (Typical)	30000	-	-	[Hour] Note 3	

Note 1 :The specified current is input LED chip 100% duty current.

Note 2 : The value showed in the table is one light bar's operation voltage.

Note 3 : Definition of life time : brightness becomes 50% of its original value. The minimum life time of LED unit is on the condition of IR<sub>LED</sub> = 70mA and 25±2°C (Room temperature).

Note 4: Each LED light bar consists of 68 pcs LED package ( 4 strings x 17 pcs / string ).



# Product Specification

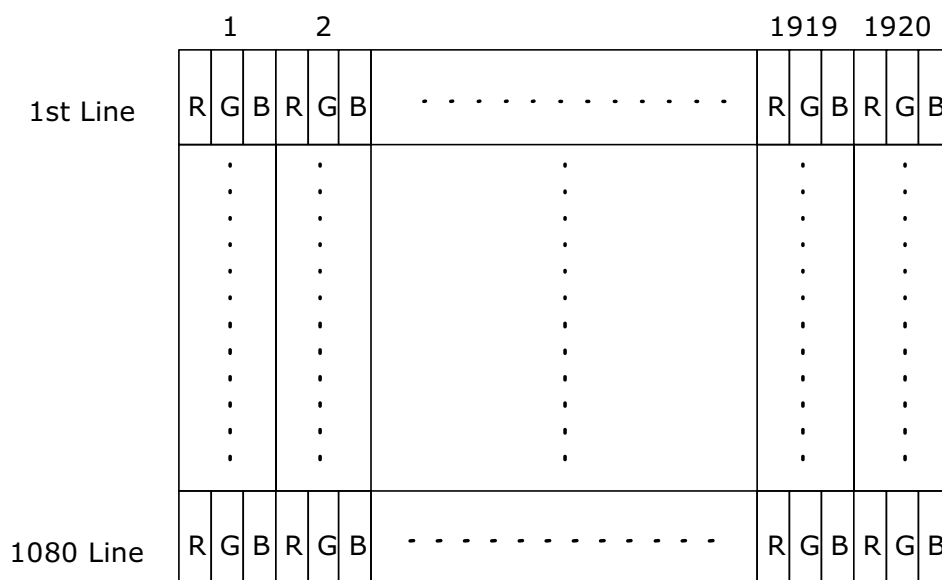
M270HW02 V3

AU OPTRONICS CORPORATION

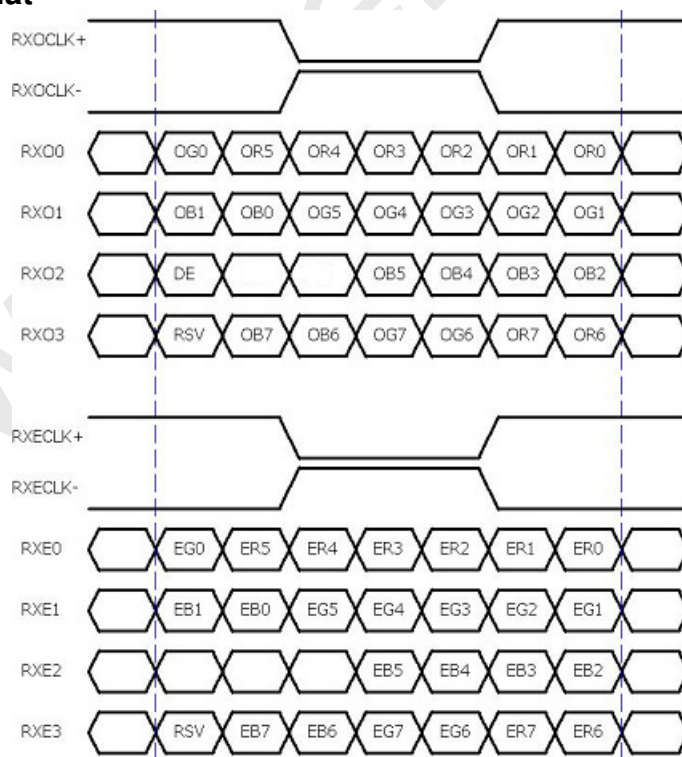
## 6.0 Signal Characteristic

### 6.1 Pixel Format Image

Following figure shows the relationship of the input signals and LCD pixel format.



### 6.2 The input data format



**Note 1:** R/G/B data 7:MSB, R/G/B data 0:LSB O = "Odd Pixel Data" E = "Even Pixel Data"





# Product Specification

M270HW02 V3

AU OPTRONICS CORPORATION

## 6.3 Signal Description

The module using one LVDS receiver SN75LVDS82(Texas Instruments). LVDS is a differential signal technology for LCD interface and high speed data transfer device. LVDS transmitters shall be SN75LVDS83(negative edge sampling). The first LVDS port(RxOxxx) transmits odd pixels while the second LVDS port(RxExxx) transmits even pixels.

PIN #	SIGNAL NAME	DESCRIPTION
1	RxOIN0-	Negative LVDS differential data input (Odd data)
2	RxOIN0+	Positive LVDS differential data input (Odd data)
3	RxOIN1-	Negative LVDS differential data input (Odd data)
4	RxOIN1+	Positive LVDS differential data input (Odd data)
5	RxOIN2-	Negative LVDS differential data input (Odd data, DSPTMG)
6	RxOIN2+	Positive LVDS differential data input (Odd data, DSPTMG)
7	GND	Power Ground
8	RxOCLK-	Negative LVDS differential clock input (Odd clock)
9	RxOCLK+	Positive LVDS differential clock input (Odd clock)
10	RxOIN3-	Negative LVDS differential data input (Odd data)
11	RxOIN3+	Positive LVDS differential data input (Odd data)
12	RxEIN0-	Negative LVDS differential data input (Even data)
13	RxEIN0+	Positive LVDS differential data input (Even data)
14	GND	Power Ground
15	RxEIN1-	Positive LVDS differential data input (Even data)
16	RxEIN1+	Negative LVDS differential data input (Even data)
17	GND	Power Ground
18	RxEIN2-	Negative LVDS differential data input (Even data)
19	RxEIN2+	Positive LVDS differential data input (Even data)
20	RxECLK-	Negative LVDS differential clock input (Even clock)
21	RxECLK+	Positive LVDS differential clock input (Even clock)
22	RxEIN3-	Negative LVDS differential data input (Even data)
23	RxEIN3+	Positive LVDS differential data input (Even data)
24	GND	Power Ground
25	NC	No connection (for AUO test only. Do not connect)
26	NC	No connection (for AUO test only. Do not connect)
27	NC	No connection (for AUO test only. Do not connect)
28	VDD	Power +5V
29	VDD	Power +5V
30	VDD	Power +5V

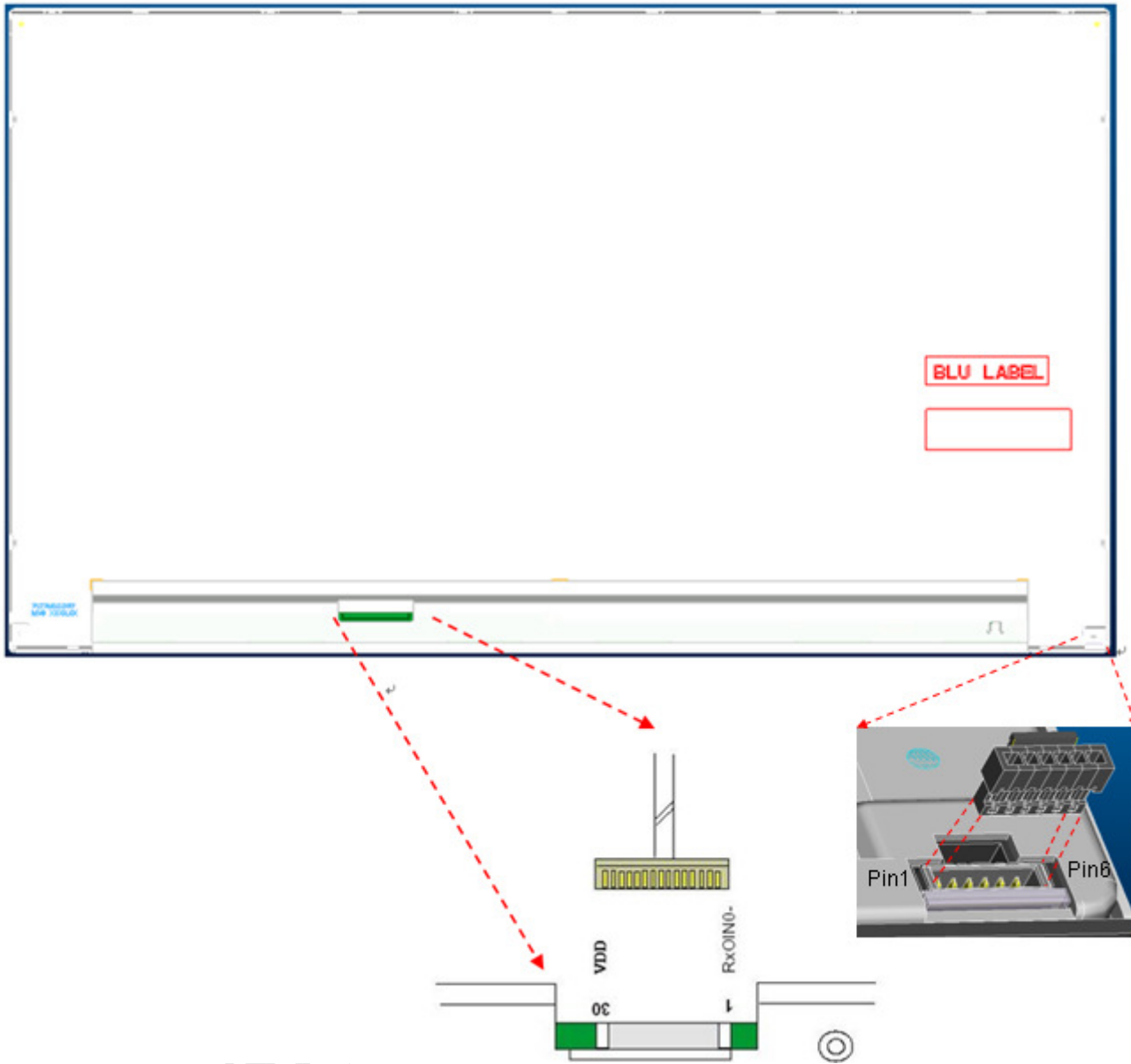
**Note1:** Start from left side



# Product Specification

M270HW02 V3

AU OPTRONICS CORPORATION



Note2: Input signals of odd and even clock shall be the same timing.



# Product Specification

M270HW02 V3

AU OPTRONICS CORPORATION

## 6.4 Timing Characteristics

Basically, interface timing described here is not actual input timing of LCD module but close to output timing of SN75LVDS82DGG (Texas Instruments) or equivalent.

Item		Symbol	Min	Typ	Max	Unit
Data Clock	Period	Tclk	11.8	13.9	25	[ns]
	Frequency	Freq	40	72	85	[MHz]
H-section	Period	Th	1004	1050	2047	[Tclk]
	Display Area	Tdisp(h)	960	960	960	[Tclk]
	Blanking	Tblk(h)	44	90	1087	[Tclk]
V-section	Period	Tv	1088	1130	2047	[Th]
	Display Area	Tdisp(h)	1080	1080	1080	[Th]
	Blanking	Tblk(h)	8	50	967	[Th]
Frame Rate		F	50	60	75	[Hz]

**Note :** DE mode only

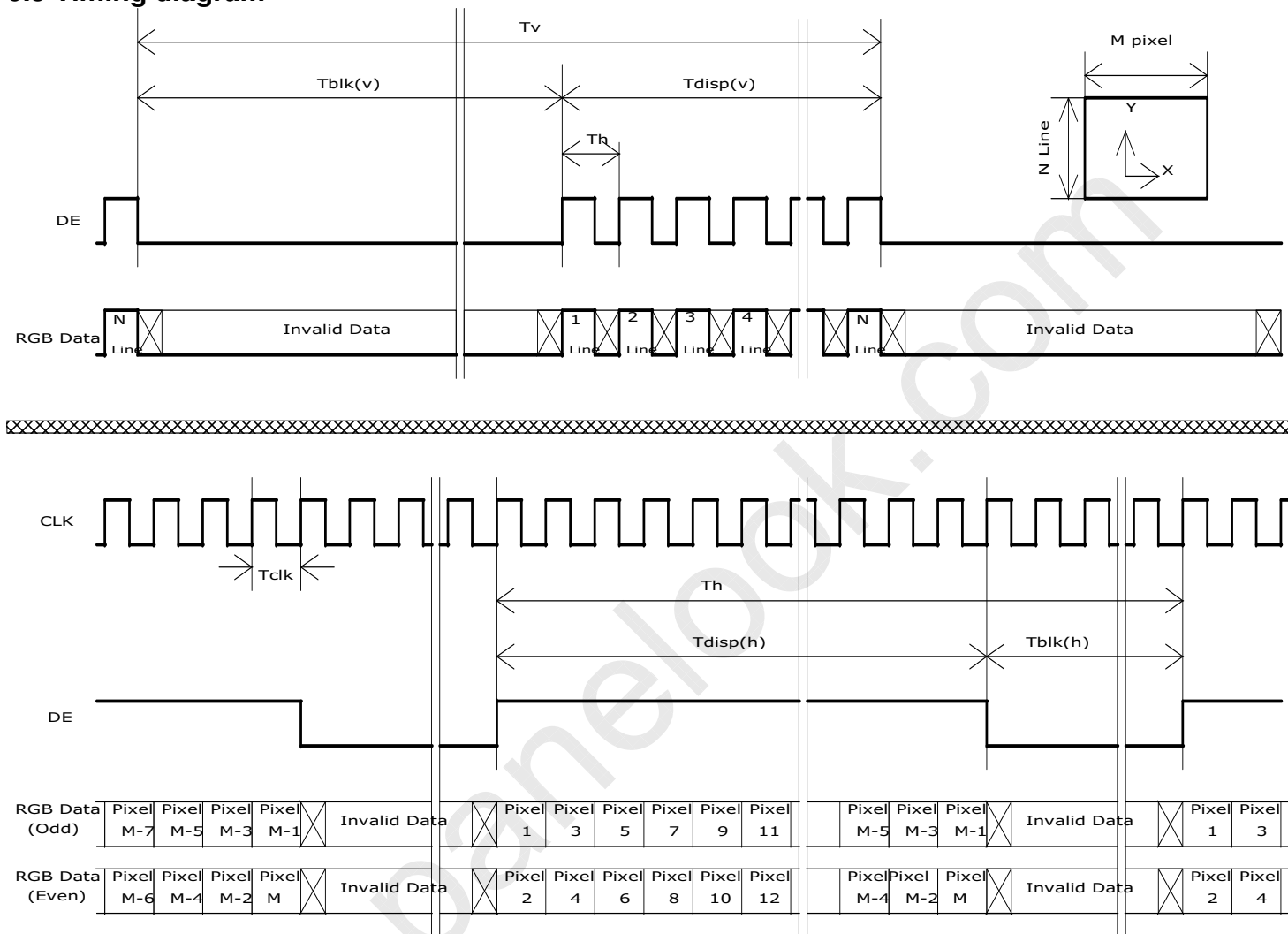


# Product Specification

M270HW02 V3

AU OPTRONICS CORPORATION

## 6.5 Timing diagram





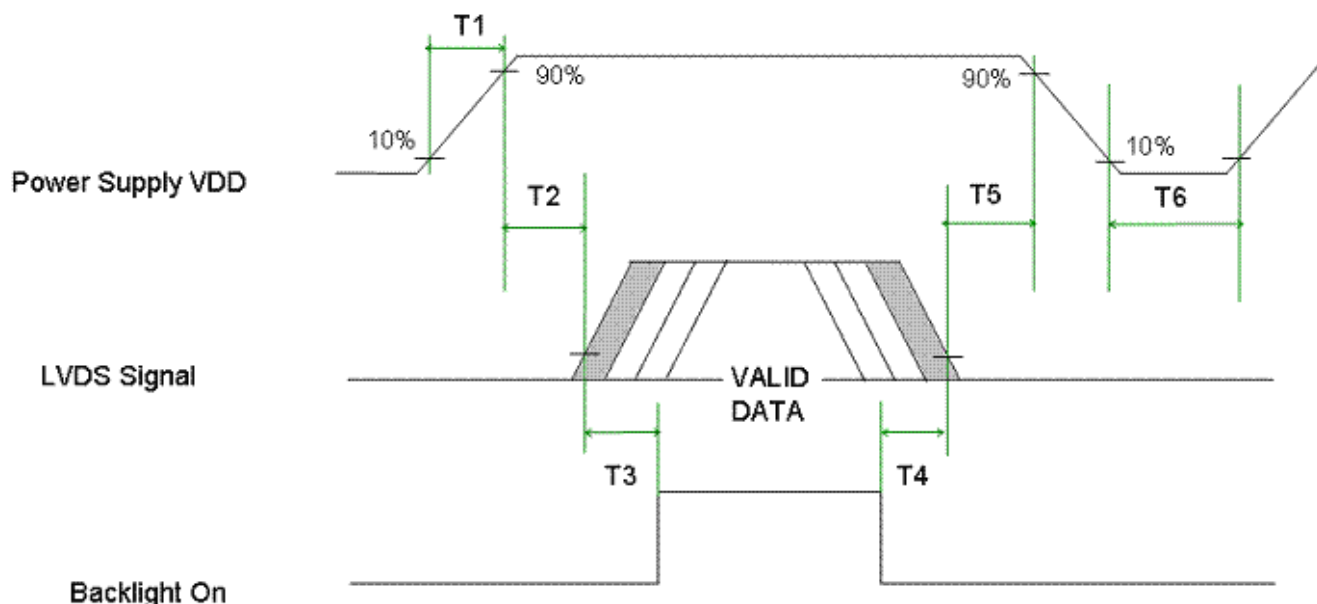
# Product Specification

M270HW02 V3

AU OPTRONICS CORPORATION

## 6.6 Power ON/OFF Sequence

VDD power and lamp on/off sequence are as follows. Interface signals are also shown in the chart. Signals from any system shall be Hi-Z state or low level when VDD is off.



Parameter	Value		Unit
	Min.	Max.	
T1	0.5	10	[msec]
T2	0	50	[msec]
T3	500	-	[msec]
T4	200	-	[msec]
T5	0	50	[msec]
T6	1000	-	[msec]



# Product Specification

M270HW02 V3

AU OPTRONICS CORPORATION

## 7.0 Connector & Pin Assignment

Physical interface is described as for the connector on module. These connectors are capable of accommodating the following signals and will be following components.

### 7.1 TFT LCD Module

Connector Name / Designation	Interface Connector / Interface card
Manufacturer	SC JAE
Type Part Number	093F30-S0T01AM4 FI-XPB30SRLAHF11
Mating Housing Part Number	FI-X30HL (Locked Type)

#### 7.1.1 Pin Assignment

Pin#	Signal Name	Pin#	Signal Name
1	RxOIN0-	2	RxOIN0+
3	RxOIN1-	4	RxOIN1+
5	RxOIN2-	6	RxOIN2+
7	GND	8	RxOCLKIN-
9	RxOCLKIN+	10	RxOIN3-
11	RxOIN3+	12	RxEIN0-
13	RxEIN0+	14	GND
15	RxEIN1-	16	RxEIN1+
17	GND	18	RxEIN2-
19	RxEIN2+	20	RxECLKIN-
21	RxECLKIN+	22	RxEIN3-
23	RxEIN3+	24	GND
25	NC (for AUO test only. Do not connect)	26	NC (for AUO test only. Do not connect)
27	NC (for AUO test only. Do not connect)	28	VDD
29	VDD	30	VDD



# Product Specification

M270HW02 V3

AU OPTRONICS CORPORATION

## 7.2 Connector on Backlight Unit.

This connector is mounted on LED light-bar.

Connector Name / Designation	Light Bar Connector
Manufacturer	E&T(ENTERY)
Type Part Number	3707K-S06N-21R

### 7.2.1 Pin assignment

Pin no.	Signal name
1	IRLED (current out)
2	IRLED (current out)
3	VLED (voltage in)
4	VLED (voltage in)
5	IRLED (current out)
6	IRLED (current out)



# Product Specification

M270HW02 V3

AU OPTRONICS CORPORATION

## 8.0 Reliability Test

Environment test conditions are listed as following table.

Items	Required Condition	Note
Temperature Humidity Bias (THB)	Ta= 50°C , 80%RH, 300hours	
High Temperature Operation (HTO)	Ta= 50°C , 50%RH, 300hours	
Low Temperature Operation (LTO)	Ta= 0°C , 300hours	
High Temperature Storage (HTS)	Ta= 60°C , 300hours	
Low Temperature Storage (LTS)	Ta= -20°C , 300hours	
Vibration Test (Non-operation)	Acceleration: 1.5 Grms Wave: Random Frequency: 10 - 200 Hz Duration: 30 Minutes each Axis (X, Y, Z)	
Shock Test (Non-operation)	Acceleration: 50 G Wave: Half-sine Active Time: 20 ms Direction: ±X, ±Y, ±Z (one time for each Axis)	
Drop Test	Height: 46 cm, package test	
Thermal Shock Test (TST)	-20°C/30min, 60°C/30min, 100 cycles	<b>1</b>
On/Off Test	On/10sec, Off/10sec, 30,000 cycles	
ESD (Electro Static Discharge)	Contact Discharge: ± 8KV, 150pF(330Ω ) 1sec, 15 points, 25 times/ point.	<b>2</b>
	Air Discharge: ± 15KV, 150pF(330Ω ) 1sec 15 points, 25 times/ point.	
Altitude Test	Operation:10,000 ft Non-Operation:30,000 ft	

**Note 1:** The TFT-LCD module will not sustain damage after being subjected to 100 cycles of rapid temperature change. A cycle of rapid temperature change consists of varying the temperature from -20°C to 60°C, and back again. Power is not applied during the test. After temperature cycling, the unit is placed in normal room ambient for at least 4 hours before power on.

**Note 2:** EN61000-4-2, ESD class B: Certain performance degradation allowed  
No data lost  
Self-recoverable  
No hardware failures.





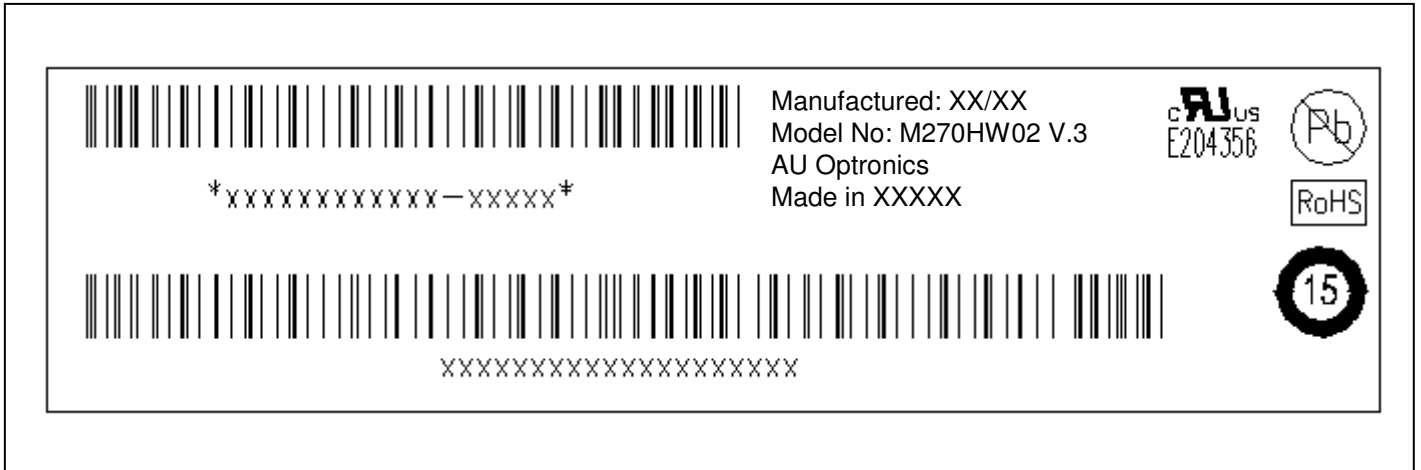
# Product Specification

M270HW02 V3


AU OPTRONICS CORPORATION

## 9.0 Shipping Label

The label is on the panel as shown below:



**Note 1:** For Pb Free products, AUO will add  for identification.

**Note 2:** For RoHS compatible products, AUO will add  for identification.

**Note 3:** For China RoHS compatible products, AUO will add  for identification.

**Note 4:** The Green Mark will be presented only when the green documents have been ready by AUO Internal Green Team.

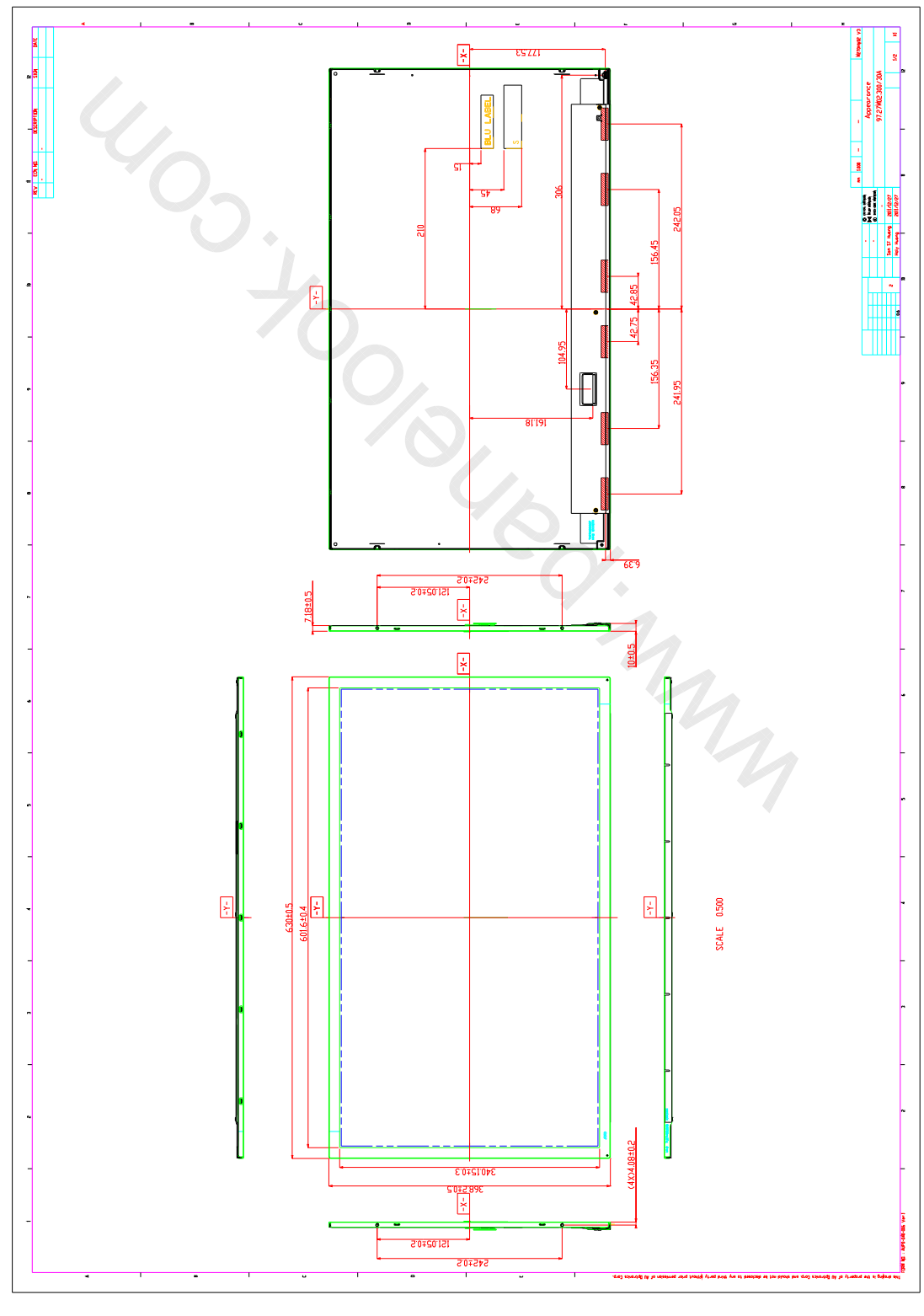


# Product Specification

## AU OPTONICS CORPORATION

M270HW02 V3

### 10.0 Mechanical Characteristics

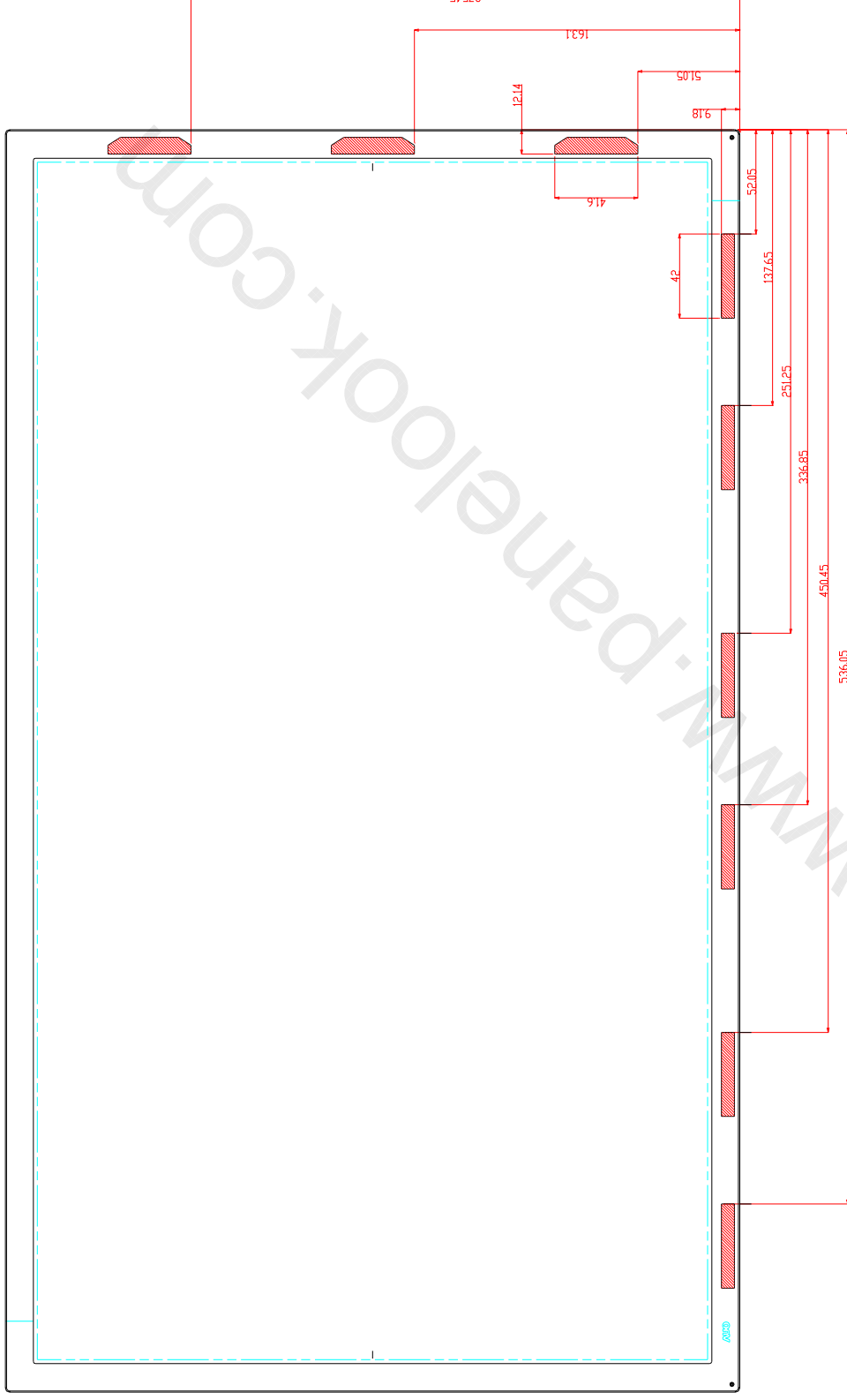




# Product Specification

AU OPTRONICS CORPORATION

M270HW02 V3



COF Position (Front View)



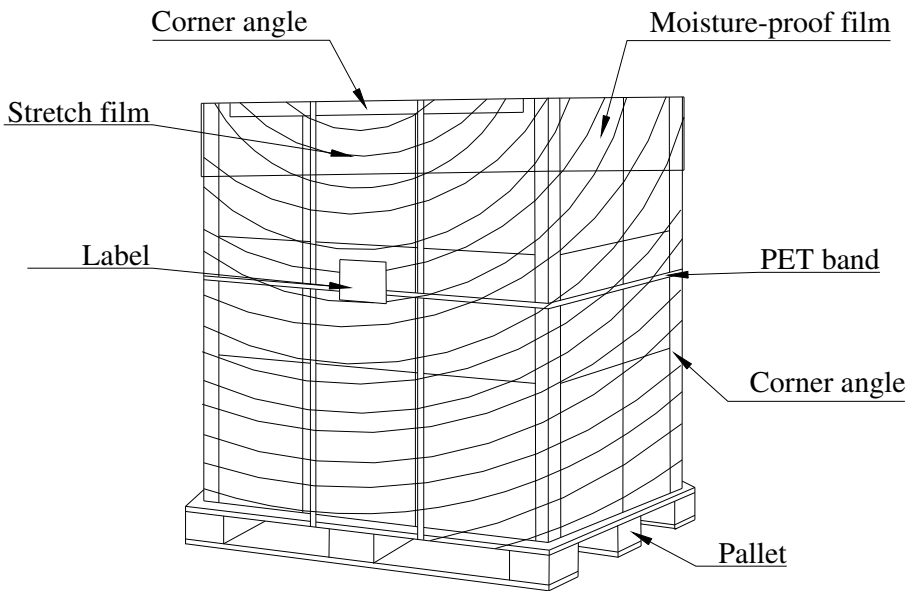
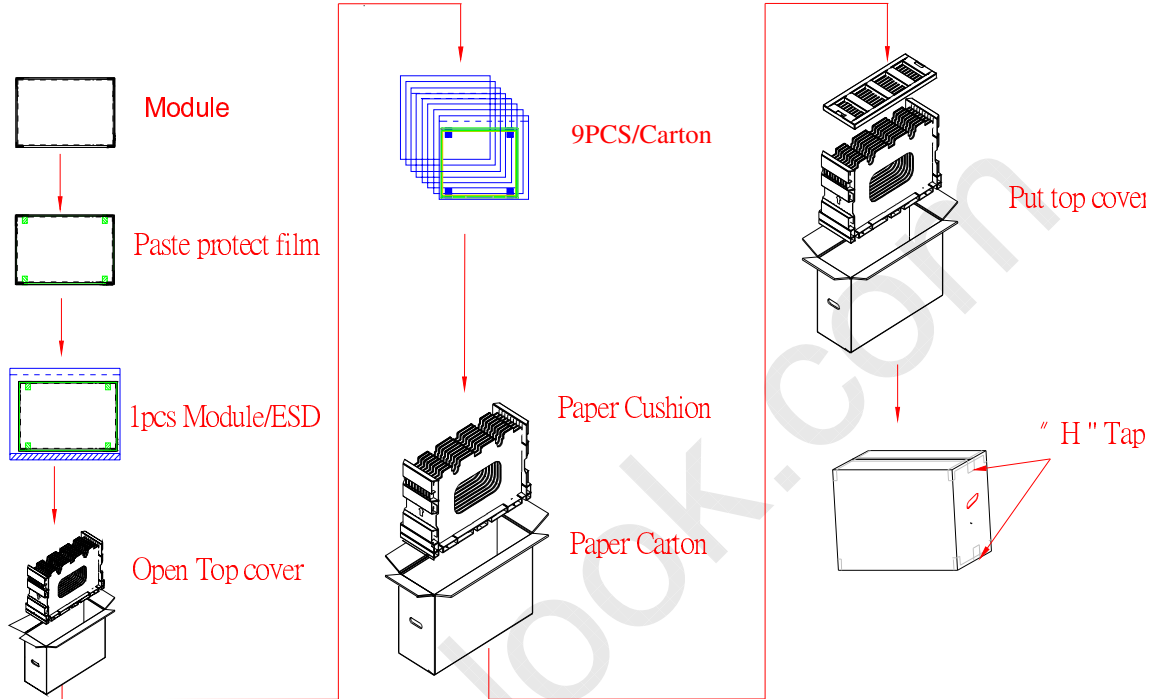
# Product Specification

M270HW02 V3

AU OPTRONICS CORPORATION

## 11. Packing Specification

### 11-1 packing procedure





# Product Specification

M270HW02 V3

AU OPTRONICS CORPORATION

## 11-2 Pallet and shipment information

	Item	Specification			Remark
		Q'ty	Dimension	Weight(kg)	
1	Panel	1	630(H)mm x 368.2(V)mm x 10(D)mm	2.6	
2	Cushion	1	-	3.63	
3	Box	1	720(L)mm x 264(W)mm x 460(H)mm	1.35	without Panel & cushion
4	Packing Box	9 pcs/Box	720(L)mm x 264(W)mm x 460(H)mm	28.05	with panel & cushion
5	Pallet	1	1070(L)mm x 740(W)mm x 138(H)mm	12	
6	Pallet after Packing	12 boxes/pallet	1070(L)mm x 740(W)mm x 138(H)mm	317.41	

www.panelook.com