

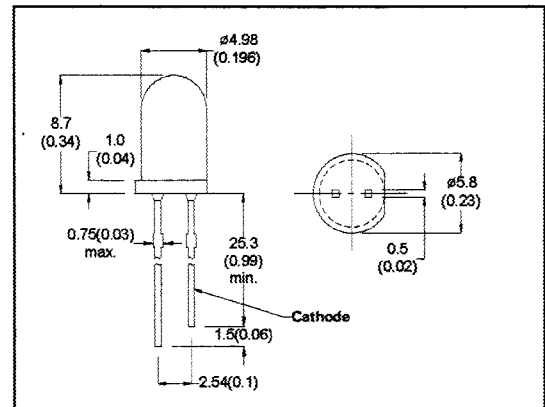
MICRO ELECTRONICS

M2GB51TB-1

ULTRA HIGH
BRIGHTNESS
GREEN LED LAMP

DESCRIPTION

M2GB51TB-1 is high efficiency green LED lamp encapsulated in a 5mm diameter clear transparent lens with an optimum viewing angle.



- All Dimension in mm (inch)
- No Scale
- Tol : +/- 0.3mm

ABSOLUTE MAXIMUM RATINGS (Ta=25°C)

Peak Forward Current	180mW
Forward Current, DC (IF)	60mA
Reverse Voltage	5V
Operating & Storage Temperature Range	-50 to +100°C
Lead Soldering Temperature (1 /16" from body, 5 sec)	260°C

ELECTRO-OPTICAL CHARACTERISTICS (Ta=25°C)

PARAMETER	SYMBOL	MIN	TYP	MAX	UNIT	CONDITIONS
Forward Voltage	VF		2.2	3.0	V	IF=40mA
Reverse Breakdown Voltage	BVR	5			V	IR=200 μA
Luminous Intensity	IV	250	400		mcd	IF=40mA
Peak Wavelength	λp		570		nm	IF=40mA
Spectral Line Half Width	Δλ		30		nm	IF=40mA
Viewing Angle	2θ 1/2		30		degree	IF=40mA

MICRO ELECTRONICS LTD.

38, Hung To Road, Microtron Building, Kwun Tong, Kowloon, Hong Kong.

Kwun Tong P.O. Box 69477 Hong Kong. Fax No. 2341 0321 Telex:43510 Micro Hx. Tel: 2343 0181-5

Rev.A.