

M30262T-PTC

Converter Board for M16C/26 Group M30262 (for M16C/Tiny Series)

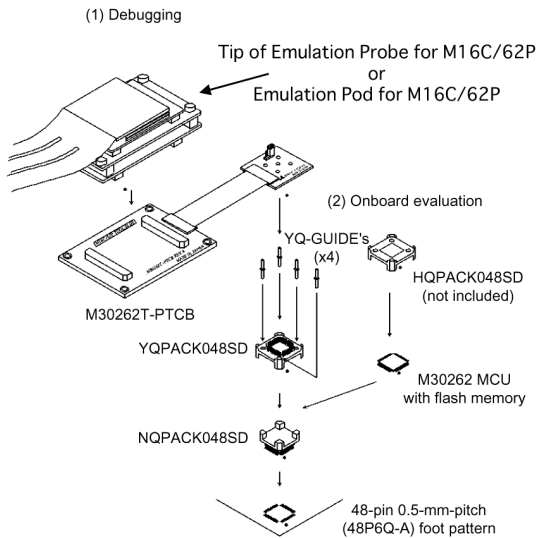
Function

The M30262T-PTC is a converter board for the M16C/26 Group M30262 for connecting an emulator for the M16C/62P*1 to M30262 (48P6Q-A). You can debug for M30262 when M30262T-PTC connected to the emulator for the M16C/62P (Tip of emulation probe or emulation pod).

*1:Emulators for the M16C/62P are the following.

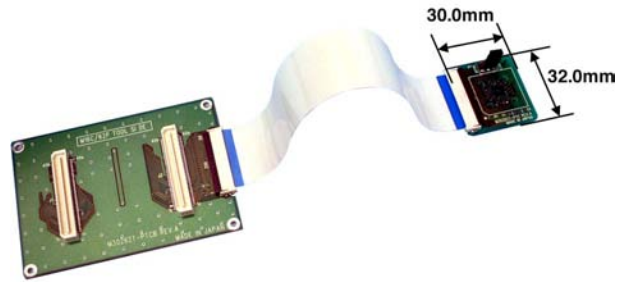
- Emulator System PC7501 + Emulation Probe M3062PT-EPB
- Emulator System PC4701 + Emulation Pod M3062PT3-RPD-E

Attaching Procedure



∴ No. 1 pin position Be sure to align the pins.

External View and Dimensions

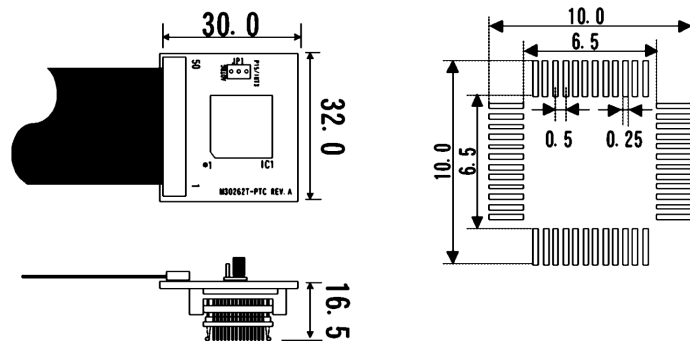


Package Components

- M30262T-PTC converter
- YQPACK048SD (made by Tokyo Eletech Co., Ltd.)
- NQPACK048SD (made by Tokyo Eletech Co., Ltd.)
- YQ-GUIDE (× 4)
- User's manual

*Required components to connect to the target system are included with this product package. Each component made by Tokyo Eletech Co., Ltd. is optionally available alone from Tokyo Eletech Co., Ltd. See Appendix G "Contact Addresses for Partner Products".

External Dimensions of the M30262T-PTC (Connector) and Recommended Foot Pattern



Unit: mm

[Ordering Information] See Appendix H "Ordering Information".