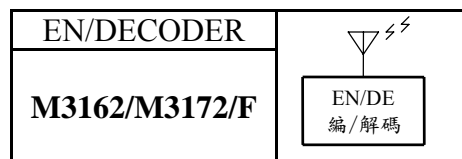


3-STATE 531,441 CODES  
 BUILT-IN IR CARRIER

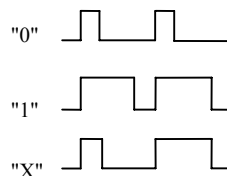
3 态 531,441 码  
 内建红外线发射器



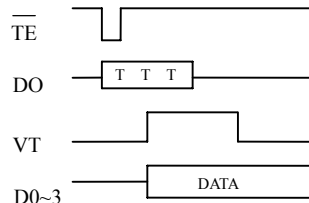
### FEATURES 功能叙述

- M3162 — 3 State Encoder  
M3162-IR: Built-in IR carrier
- M3172 — 3 State Decoder  
M3172-L: Latch data outputs.  
M3172-M: Momentary data outputs.  
M3172F: Full address type.
- S.O. Package 20P — suffix-S.

### BIT FORMAT



### PROTOCOL



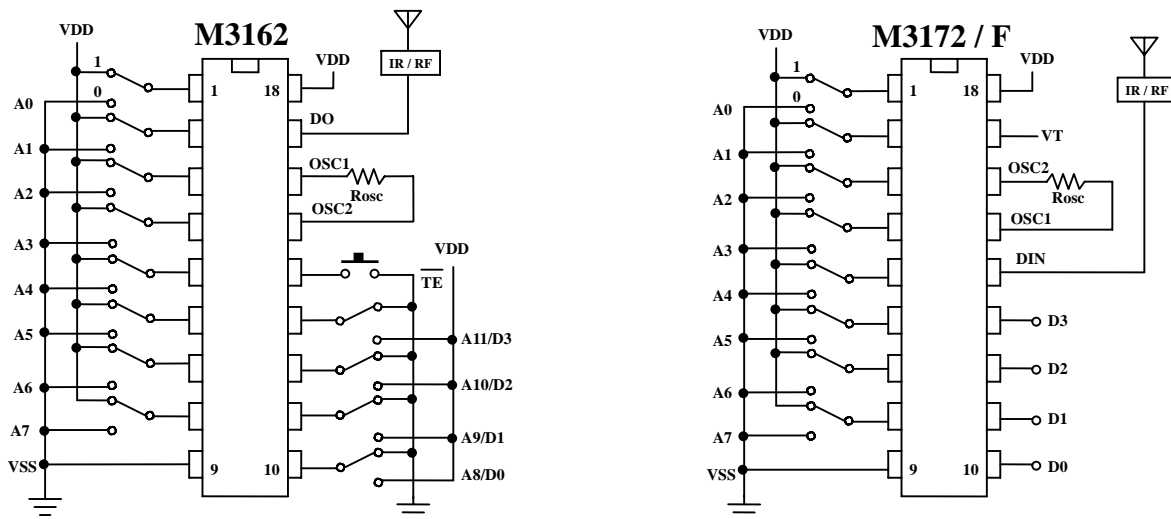
### APPLICATION 产品应用

- Security alarm, Remote control. 防盗系统, 任何遥控装置.

### ELECTRICAL CHARACTERISTICS 电气规格

Characteristics	Sym.	Min.	Typ.	Max.	Unit	REMARKS
工作电压 Operating Voltage	$V_{DD}$	2.4	—	15	V	M3162 Encoder
		—	3	5	V	M3172 Decoder
工作电流 Operating Current	$I_{OP}$	—	0.1	1	mA	No load
静态电流 Quiescent Current	$I_{SB}$	—	0.1	0.5	$\mu A$	M3162 Encoder
		—	1	10	$\mu A$	M3172 Decoder
推动电流 Driving Current	$I_{OL}$	—	2	—	mA	@ $V_{DS}=1.2V$
振荡频率 Oscillator Frequency	$F_{OSC}$	—	76	—	KHz	M3162 External $\pm 30\%$ , $R_{osc}=390K \Omega$
		—	38	—	KHz	M3172 External $\pm 30\%$ , $R_{osc}=1.1M \Omega$
工作温度 Operating Temperature	Temp.	-20	25	60	$^{\circ}C$	

### APPLICATION DIAGRAM 参考电路图



\*Rosc: M3162=390K  $\Omega$ ; M3172=1.1M  $\Omega$

\*All specs and applications shown above subject to change without prior notice.

( 以上电路及规格仅供参考,本公司得径行修正 )