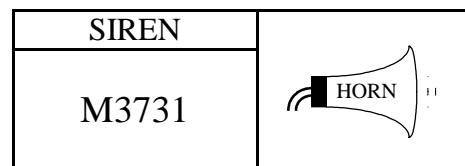




4 SIRENS & MACHINE GUN  
2 LEDS BLINKING

帶燈4種警報聲IC



FEATURES 功能敘述

- One-shot / Level-hold option.
- 2 LEDS BLINKING.
- PS : Sequence input key.
- MOTOR : Active High.

KEY	SOUND LIST	M3731	M3731-1	M3731-2	M3731-3
K1	FIRE ENGINE SIREN	1 Time	2 Time	1 Time	2 Time
K2	AMBULANCE SIREN	2 Time	16 Time	2 Time	16 Time
K3	POLICE SIREN	2 Time	16 Time	2 Time	16 Time
K4	MACHINE GUN	2 Time	2 Time	2 Time	2 Time
PS	SEQUENCE KEY				
LED	( @VDD=3V Typ. )	2mA	2ma	6mA	6mA
MOTOR		NO	NO	YES	YES

APPLICATION 產品應用

- Toys, Key chain, Alarm system, Musical instrument.

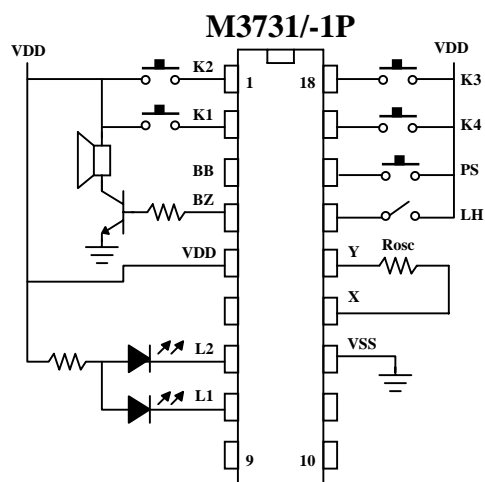
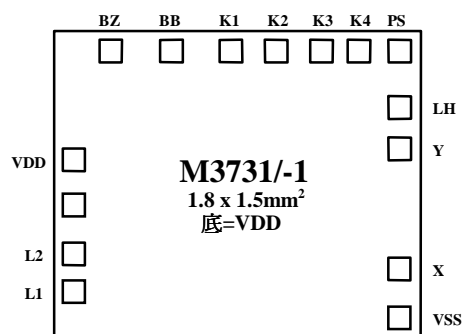
ELECTRICAL CHARACTERISTICS 電氣規格

( @V<sub>DD</sub>=3V unless otherwise specified )

Characteristics	Sym.	Min.	Typ.	Max.	Unit	REMARKS
工作電壓 Operating Voltage	V <sub>DD</sub>	—	3	4.5	V	
工作電流 Operating Current	I <sub>OP</sub>	—	0.1	0.5	mA	No load
靜態電流 Quiescent Current	I <sub>SB</sub>	—	1	5	μA	
推動電流 BZ Driving Current	I <sub>O</sub>	1	—	—	mA	@ V <sub>DS</sub> =1V
推動電流 LO Driving Current	I <sub>OL</sub>	2	—	—	mA	@ V <sub>DS</sub> =1.2V
振盪頻率 Oscillator Frequency	F <sub>OSC</sub>	—	100	—	KHz	External±30%, Rosc=180KΩ
工作溫度 Operating Temperature	Temp.	0	25	60	°C	

APPLICATION DIAGRAM 參考電路圖

- (A) M3731/M3731-1




\*All specs and applications shown above subject to change without prior notice.

( 以上電路及規格僅供參考,本公司得逕行修正 )



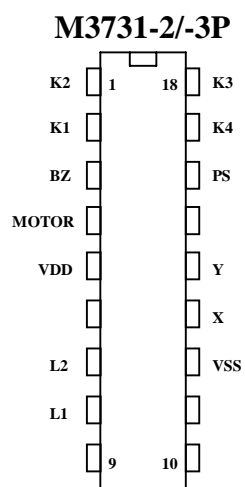
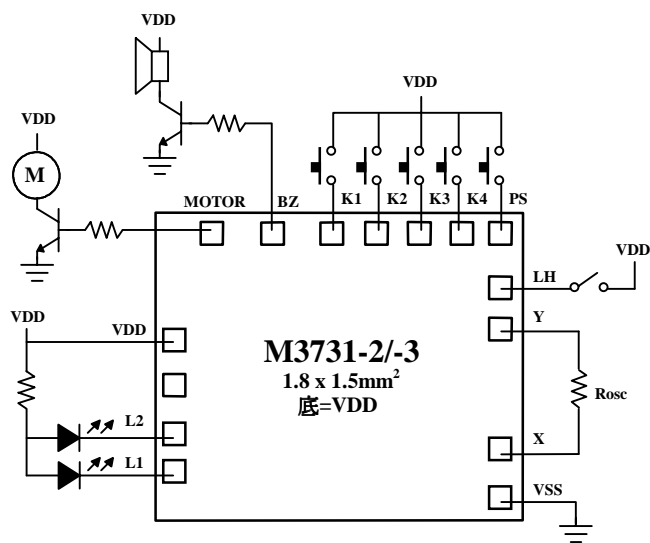
4 SIRENS & MACHINE GUN  
2 LEDS BLINKING

帶燈4種警報聲IC

SIREN	
M3731	

APPLICATION DIAGRAM 參考電路圖

• (B) M3731-2/M3731-3



\*All specs and applications shown above subject to change without prior notice.  
( 以上電路及規格僅供參考,本公司得逕行修正 )