


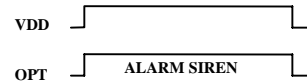
VDD CONTROL
ALARM SOUND

電源控制
警報聲 IC

| | |
|-------|---|
| SIREN |  |
| M3764 | |

.FEATURES 功能敘述

- Alarm siren sound.
- Minimum external compoment.
- OPT : OPEN = 6 sound
VDD = 6 sound with soft chirp
Soft chirp =200ms



APPLICATION 產品應用

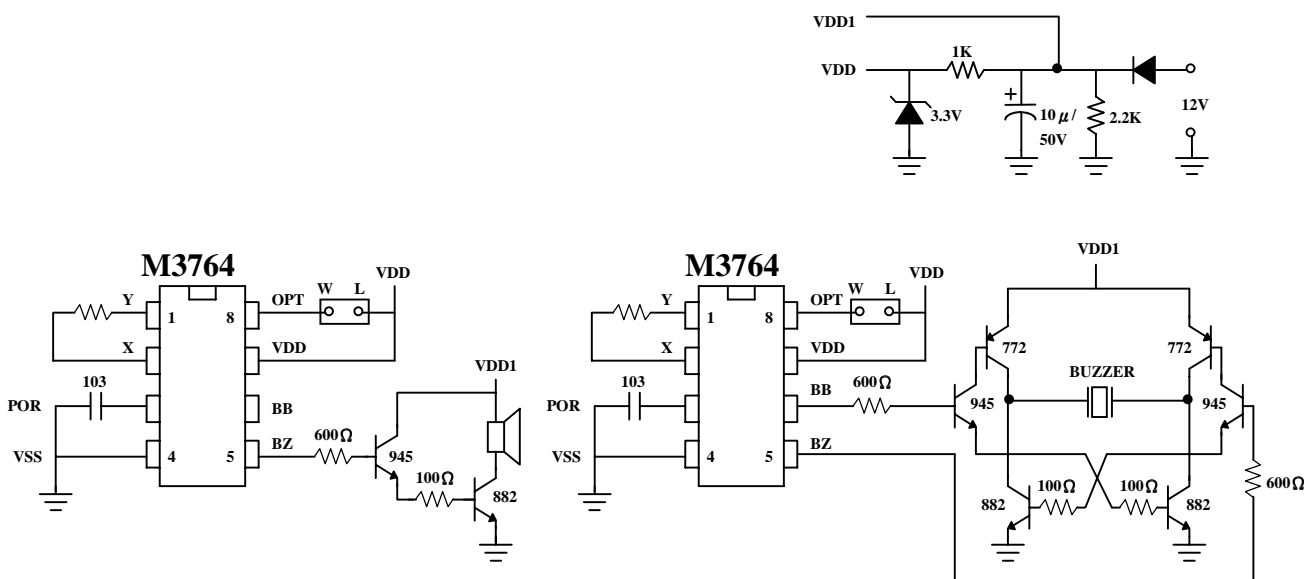
- Alarm system, Horn etc..

ELECTRICAL CHARACTERISTICS 電氣規格

(@V_{DD}=3V unless otherwise specified)

| Characteristics | Sym. | Min. | Typ. | Max. | Unit | REMARKS |
|----------------------------|------------------|------|------|------|------|---------------------------------------|
| 工作電壓 Operating Voltage | V _{DD} | — | 3.5 | 4.5 | V | |
| 工作電流 Operating Current | I _{OP} | — | 0.1 | 0.5 | mA | No load |
| 推動電流 BZ Driving Current | I _O | 1 | — | — | mA | @ V _{DS} =1V |
| 推動電流 LO Driving Current | I _{OL} | 6 | — | — | mA | @ V _{DS} =1.2V |
| 振盪頻率 Oscillator Frequency | F _{OSC} | — | 200 | — | KHZ | External± 30%, R _{osc} =68KΩ |
| 工作溫度 Operating Temperature | Temp. | 0 | 25 | 60 | °C | |

APPLICATION DIAGRAM 參考電路圖



* All specs and applications shown above subject to change without prior notice.
(以上電路及規格僅供參考,本公司得逕行修正)