



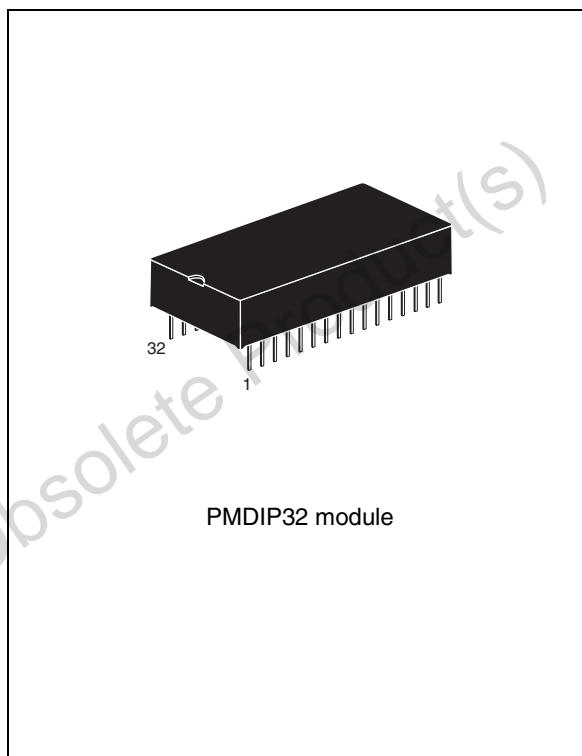
# M48Z128 M48Z128Y

## 5.0 V, 1 Mbit (128 Kbit x 8) ZEROPOWER<sup>®</sup> SRAM

Not recommended for new design

### Features

- Integrated, ultra low power SRAM, power-fail control circuit, and battery
- Conventional SRAM operation; unlimited WRITE cycles
- 10 years of data retention in the absence of power
- Battery internally isolated until power is first applied
- Automatic power-fail chip deselect and WRITE protection
- WRITE protect voltages: ( $V_{PFD}$  = power-fail deselect voltage)
  - M48Z128:  $V_{CC} = 4.75$  to  $5.5$  V;  
 $4.5$  V  $\leq V_{PFD} \leq 4.75$  V
  - M48Z128Y:  $V_{CC} = 4.5$  to  $5.5$  V;  
 $4.2$  V  $\leq V_{PFD} \leq 4.5$  V
- Pin and function compatible with JEDEC standard 128 K x 8 SRAMs
- RoHS compliant
  - Lead-free second level interconnect



# Contents

<b>1</b>	<b>Description</b> .....	<b>5</b>
<b>2</b>	<b>Operating modes</b> .....	<b>7</b>
2.1	READ mode .....	7
2.2	WRITE mode .....	9
2.3	Data retention mode .....	10
2.4	V <sub>CC</sub> noise and negative going transients .....	11
<b>3</b>	<b>Maximum ratings</b> .....	<b>12</b>
<b>4</b>	<b>DC and AC parameters</b> .....	<b>13</b>
<b>5</b>	<b>Package mechanical data</b> .....	<b>16</b>
<b>6</b>	<b>Part numbering</b> .....	<b>17</b>
<b>7</b>	<b>Environmental information</b> .....	<b>18</b>
<b>8</b>	<b>Revision history</b> .....	<b>19</b>

Obsolete Product(s) - Obsolete Product(s)

## List of tables

Table 1.	Signal names	5
Table 2.	Operating modes	7
Table 3.	READ mode AC characteristics	8
Table 4.	WRITE mode AC characteristics	10
Table 5.	Absolute maximum ratings	12
Table 6.	Operating and AC measurement conditions	13
Table 7.	Capacitance	13
Table 8.	DC characteristics	14
Table 9.	Power down/up AC characteristics	15
Table 10.	Power down/up trip points DC characteristics	15
Table 11.	PMDIP32 – 32-pin plastic DIP module, package mechanical data	16
Table 12.	Ordering information scheme	17
Table 13.	Revision history	19

## List of figures

Figure 1.	Logic diagram . . . . .	5
Figure 2.	DIP connections . . . . .	6
Figure 3.	Block diagram . . . . .	6
Figure 4.	Chip enable or output enable controlled, READ mode AC waveforms. . . . .	8
Figure 5.	Address controlled, READ mode AC waveforms . . . . .	8
Figure 6.	WRITE enable controlled, WRITE AC waveforms . . . . .	9
Figure 7.	Chip enable controlled, WRITE AC waveforms . . . . .	9
Figure 8.	Supply voltage protection . . . . .	11
Figure 9.	AC measurement load circuit . . . . .	13
Figure 10.	Power down/up mode AC waveforms. . . . .	15
Figure 11.	PMDIP32 – 32-pin plastic DIP module, package outline . . . . .	16
Figure 12.	Recycling symbols . . . . .	18

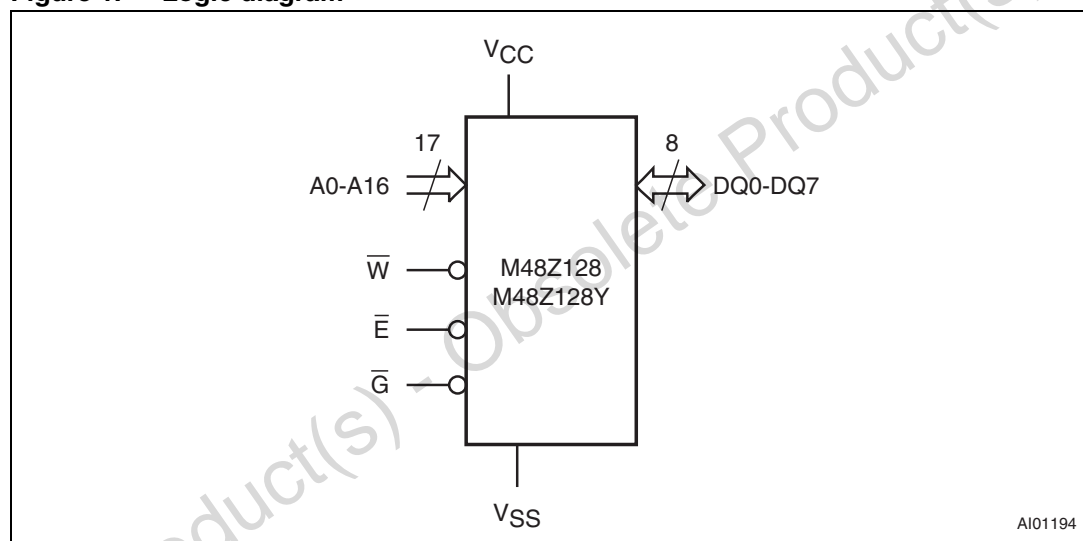
Obsolete Product(s) - Obsolete Product(s)

# 1 Description

The M48Z128/Y ZEROPOWER<sup>®</sup> RAM is a 128 Kbit x 8 non-volatile static RAM organized as 131,072 words by 8 bits. The device combines an internal lithium battery, a CMOS SRAM and a control circuit in a plastic, 32-pin DIP module to provide a highly integrated battery-backed memory solution.

The M48Z128/Y is a non-volatile pin and function equivalent to any JEDEC standard 128 K x 8 SRAM. It also easily fits into many ROM, EPROM, and EEPROM sockets, providing the non-volatility of PROMs without any requirement for special WRITE timing or limitations on the number of WRITES that can be performed. The 32-pin, 600 mil DIP module houses the M48Z128/Y silicon with a long-life lithium button cell in a single package.

**Figure 1. Logic diagram**



**Table 1. Signal names**

A0-A16	Address inputs
DQ0-DQ7	Data inputs / outputs
$\bar{E}$	Chip enable input
$\bar{G}$	Output enable input
$\bar{W}$	WRITE enable input
V <sub>CC</sub>	Supply voltage
V <sub>SS</sub>	Ground
NC	Not connected internally

Figure 2. DIP connections

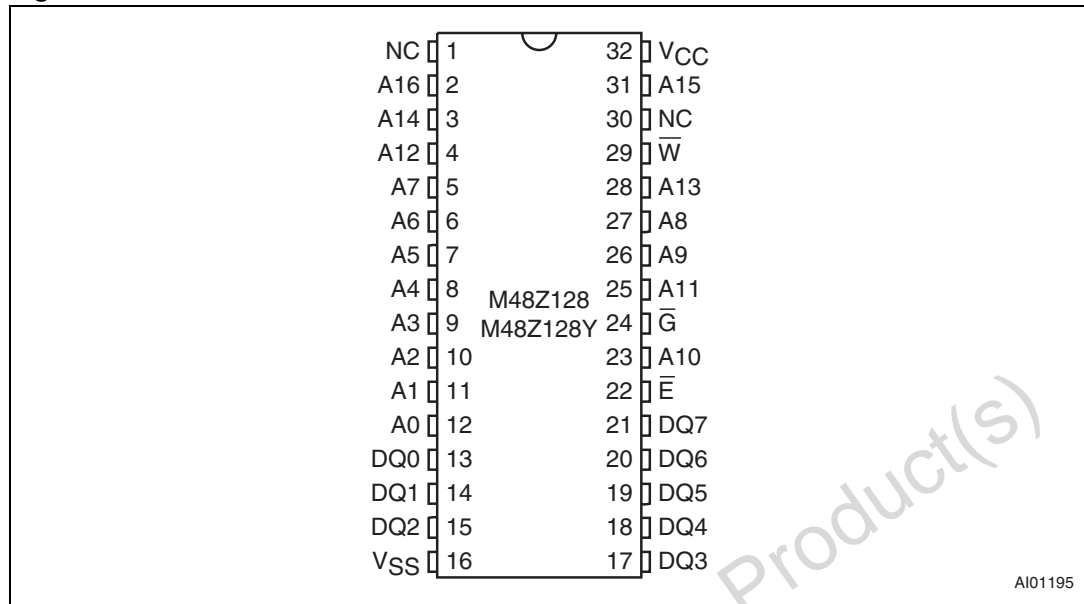
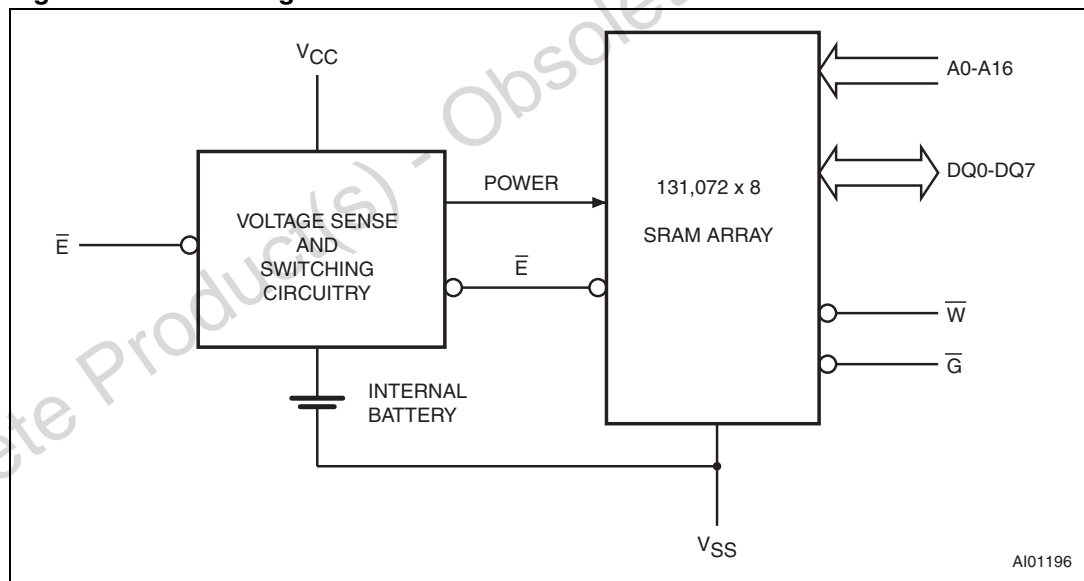


Figure 3. Block diagram



## 2 Operating modes

The M48Z128/Y also has its own power-fail detect circuit. The control circuitry constantly monitors the single  $V_{CC}$  supply for an out of tolerance condition. When  $V_{CC}$  is out of tolerance, the circuit write protects the SRAM, providing a high degree of data security in the midst of unpredictable system operation brought on by low  $V_{CC}$ . As  $V_{CC}$  falls below the switchover voltage ( $V_{SO}$ ), the control circuitry connects the battery which maintains data until valid power returns.

**Table 2. Operating modes**

Mode	$V_{CC}$	$\bar{E}$	$\bar{G}$	$\bar{W}$	DQ0-DQ7	Power
Deselect	4.75 to 5.5 V or 4.5 to 5.5 V	$V_{IH}$	X	X	High Z	Standby
WRITE		$V_{IL}$	X	$V_{IL}$	$D_{IN}$	Active
READ		$V_{IL}$	$V_{IL}$	$V_{IH}$	$D_{OUT}$	Active
READ		$V_{IL}$	$V_{IH}$	$V_{IH}$	High Z	Active
Deselect	$V_{SO}$ to $V_{PFD}$ (min) <sup>(1)</sup>	X	X	X	High Z	CMOS standby
Deselect	$\leq V_{SO}$ <sup>(1)</sup>	X	X	X	High Z	Battery backup mode

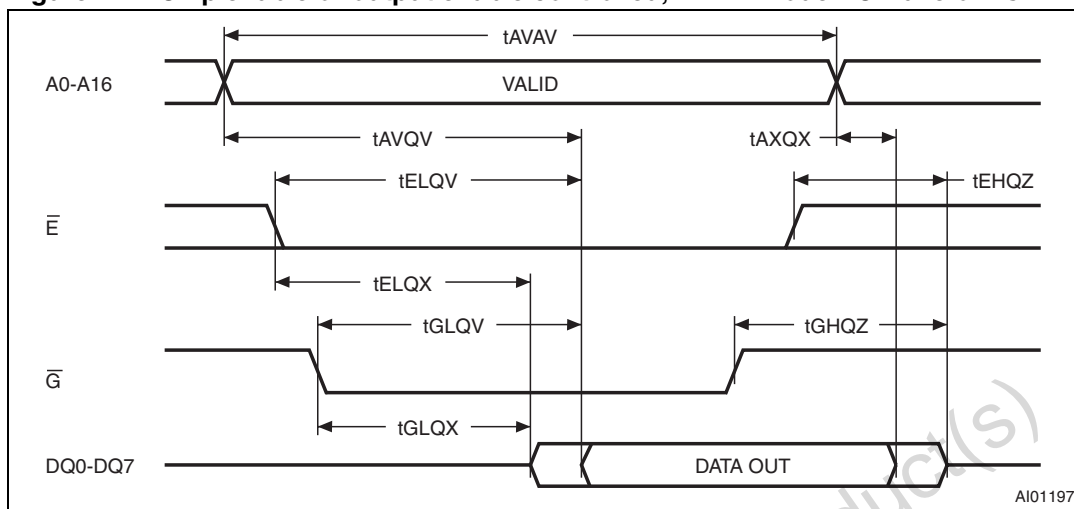
1. See [Table 10 on page 15](#) for details.

Note:  $X = V_{IH}$  or  $V_{IL}$ ;  $V_{SO}$  = battery backup switchover voltage.

### 2.1 READ mode

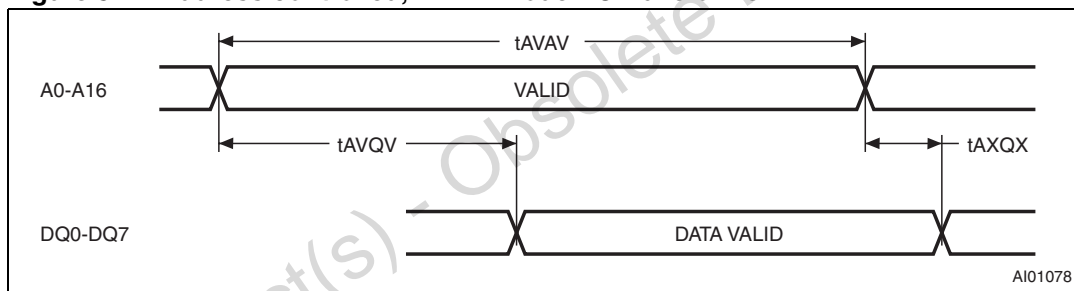
The M48Z128/Y is in the READ mode whenever  $\bar{W}$  (WRITE enable) is high and  $\bar{E}$  (chip enable) is low. The device architecture allows ripple-through access of data from eight of 1,048,576 locations in the static storage array. Thus, the unique address specified by the 17 address inputs defines which one of the 131,072 bytes of data is to be accessed. Valid data will be available at the data I/O pins within address access time ( $t_{AVQV}$ ) after the last address input signal is stable, providing that the  $\bar{E}$  and  $\bar{G}$  (output enable) access times are also satisfied. If the  $\bar{E}$  and  $\bar{G}$  access times are not met, valid data will be available after the later of chip enable access time ( $t_{ELQV}$ ) or output enable access time ( $t_{GLQV}$ ). The state of the eight three-state data I/O signals is controlled by  $\bar{E}$  and  $\bar{G}$ . If the outputs are activated before  $t_{AVQV}$ , the data lines will be driven to an indeterminate state until  $t_{AVQV}$ . If the address inputs are changed while  $\bar{E}$  and  $\bar{G}$  remain low, output data will remain valid for output data hold time ( $t_{AXQX}$ ) but will go indeterminate until the next address access.

**Figure 4. Chip enable or output enable controlled, READ mode AC waveforms**



Note: WRITE enable ( $\overline{W}$ ) = high.

**Figure 5. Address controlled, READ mode AC waveforms**



Note: Chip enable ( $\overline{E}$ ) and output enable ( $\overline{G}$ ) = low, WRITE enable ( $\overline{W}$ ) = high.

**Table 3. READ mode AC characteristics**

Symbol	Parameter <sup>(1)</sup>	M48Z128/Y		M48Z128/Y		M48Z128/Y		Unit
		-70		-85		-120		
		Min	Max	Min	Max	Min	Max	
t <sub>AVAV</sub>	READ cycle time	70		85		120		ns
t <sub>AVQV</sub>	Address valid to output valid		70		85		120	ns
t <sub>ELQV</sub>	Chip enable low to output valid		70		85		120	ns
t <sub>GLQV</sub>	Output enable low to output valid		35		45		60	ns
t <sub>ELQX</sub> <sup>(2)</sup>	Chip enable low to output transition	5		5		5		ns
t <sub>GLQX</sub> <sup>(2)</sup>	Output enable low to output transition	3		3		3		ns
t <sub>EHQZ</sub> <sup>(2)</sup>	Chip enable high to output Hi-Z		30		35		45	ns
t <sub>GHQZ</sub> <sup>(2)</sup>	Output enable high to output Hi-Z		20		25		35	ns
t <sub>AXQX</sub>	Address transition to output transition	5		5		10		ns

1. Valid for ambient operating temperature: T<sub>A</sub> = 0 to 70 °C; V<sub>CC</sub> = 4.75 to 5.5 V or 4.5 to 5.5 V (except where noted).

2. C<sub>L</sub> = 5 pF.

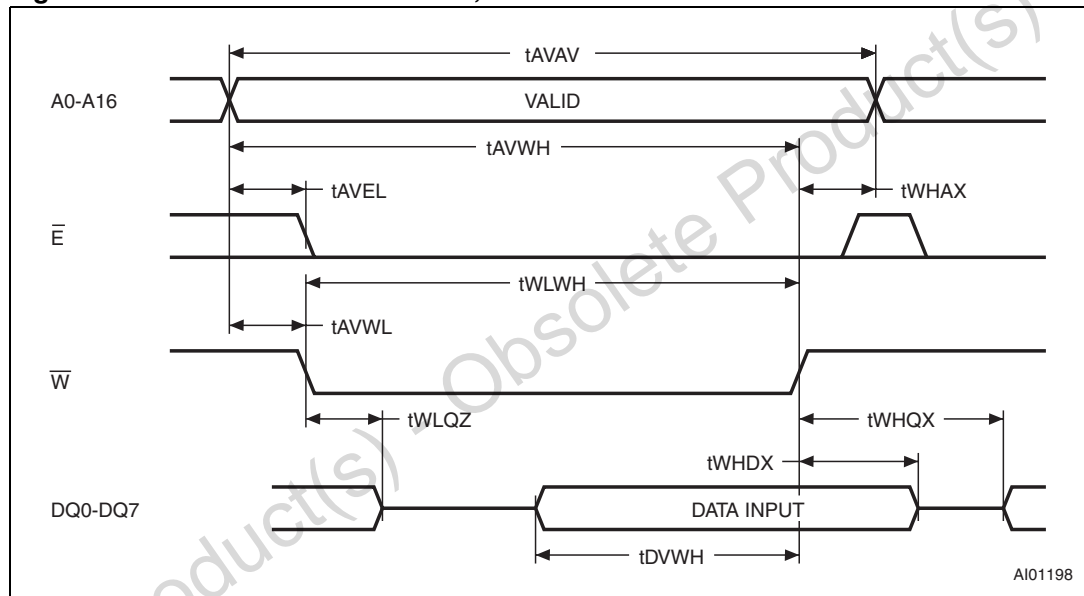


## 2.2 WRITE mode

The M48Z128/Y is in the WRITE mode whenever  $\overline{W}$  and  $\overline{E}$  are active. The start of a WRITE is referenced from the latter occurring falling edge of  $\overline{W}$  or  $\overline{E}$ . A WRITE is terminated by the earlier rising edge of  $\overline{W}$  or  $\overline{E}$ .

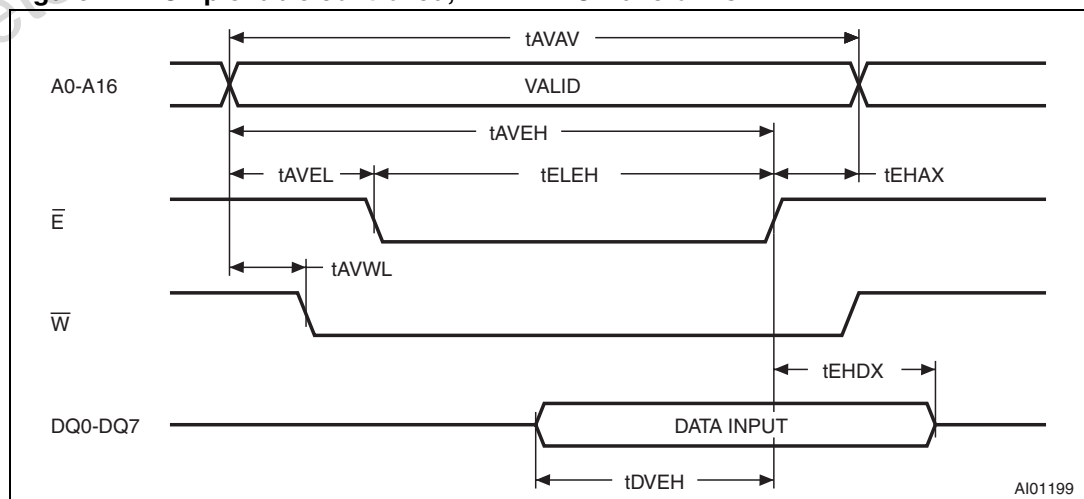
The addresses must be held valid throughout the cycle.  $\overline{E}$  or  $\overline{W}$  must return high for minimum of  $t_{EHAX}$  from  $\overline{E}$  or  $t_{WHAX}$  from  $\overline{W}$  prior to the initiation of another READ or WRITE cycle. Data-in must be valid  $t_{DVWH}$  prior to the end of WRITE and remain valid for  $t_{WHDX}$  or  $t_{EHDX}$  afterward.  $\overline{G}$  should be kept high during WRITE cycles to avoid bus contention; although, if the output bus has been activated by a low on  $\overline{E}$  and  $\overline{G}$ , a low on  $\overline{W}$  will disable the outputs  $t_{WLQZ}$  after  $\overline{W}$  falls.

**Figure 6. WRITE enable controlled, WRITE AC waveforms**



Note: Output enable ( $\overline{G}$ ) = high.

**Figure 7. Chip enable controlled, WRITE AC waveforms**



Note: Output enable ( $\overline{G}$ ) = high.

Table 4. WRITE mode AC characteristics

Symbol	Parameter <sup>(1)</sup>	M48Z128/Y		M48Z128/Y		M48Z128/Y		Unit
		-70		-85		-120		
		Min	Max	Min	Max	Min	Max	
t <sub>AVAV</sub>	WRITE cycle time	70		85		120		ns
t <sub>AVWL</sub>	Address valid to WRITE enable Low	0		0		0		ns
t <sub>AVEL</sub>	Address valid to chip enable low	0		0		0		ns
t <sub>WLWH</sub>	WRITE enable pulse width	55		65		85		ns
t <sub>ELEH</sub>	Chip enable low to chip enable high	55		75		100		ns
t <sub>WHAX</sub>	WRITE enable high to address transition	5		5		5		ns
t <sub>EHAX</sub>	Chip enable high to address transition	15		15		15		ns
t <sub>DVWH</sub>	Input valid to WRITE enable high	30		35		45		ns
t <sub>DVEH</sub>	Input valid to chip enable high	30		35		45		ns
t <sub>WHDX</sub>	WRITE enable high to input transition	0		0		0		ns
t <sub>EHDx</sub>	Chip enable high to input transition	10		10		10		ns
t <sub>WLQZ</sub> <sup>(2)(3)</sup>	WRITE enable low to output Hi-Z		25		30		40	ns
t <sub>AVWH</sub>	Address valid to WRITE enable high	65		75		100		ns
t <sub>AVEH</sub>	Address valid to chip enable high	65		75		100		ns
t <sub>WHQX</sub> <sup>(2)(3)</sup>	WRITE enable high to output transition	5		5		5		ns

1. Valid for ambient operating temperature: T<sub>A</sub> = 0 to 70 °C; V<sub>CC</sub> = 4.75 to 5.5 V or 4.5 to 5.5 V (except where noted).

2. C<sub>L</sub> = 5 pF.

3. If  $\bar{E}$  goes low simultaneously with  $\bar{W}$  going low, the outputs remain in the high impedance state.

## 2.3 Data retention mode

With valid V<sub>CC</sub> applied, the M48Z128/Y operates as a conventional BYTEWIDE™ static RAM. Should the supply voltage decay, the RAM will automatically power-fail deselect, write protecting itself t<sub>WP</sub> after V<sub>CC</sub> falls below V<sub>PFD</sub>. All outputs become high impedance, and all inputs are treated as “Don't care.”

If power fail detection occurs during a valid access, the memory cycle continues to completion. If the memory cycle fails to terminate within the time t<sub>WP</sub> write protection takes place. When V<sub>CC</sub> drops below V<sub>SO</sub>, the control circuit switches power to the internal energy source which preserves data.

The internal coin cell will maintain data in the M48Z128/Y after the initial application of V<sub>CC</sub> for an accumulated period of at least 10 years when V<sub>CC</sub> is less than V<sub>SO</sub>. As system power returns and V<sub>CC</sub> rises above V<sub>SO</sub>, the battery is disconnected, and the power supply is switched to external V<sub>CC</sub>. Write protection continues for t<sub>ER</sub> after V<sub>CC</sub> reaches V<sub>PFD</sub> to allow for processor stabilization. After t<sub>ER</sub>, normal RAM operation can resume.

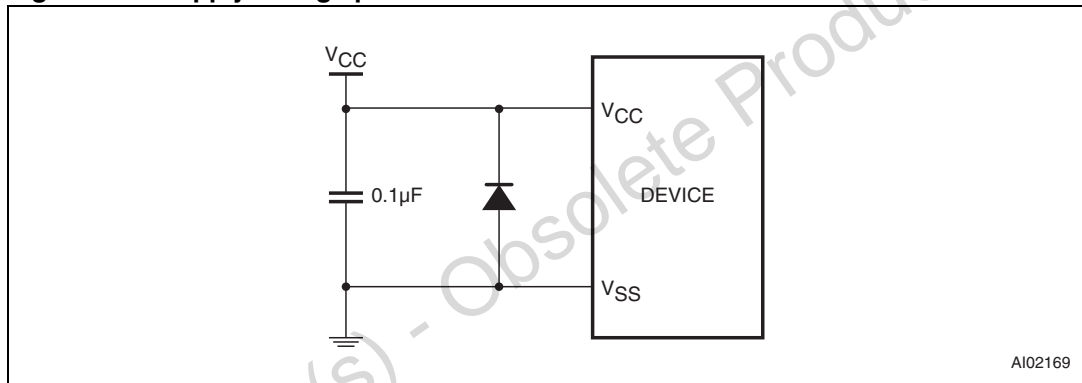
For more information on battery storage life refer to the application note AN1012.

## 2.4 $V_{CC}$ noise and negative going transients

$I_{CC}$  transients, including those produced by output switching, can produce voltage fluctuations, resulting in spikes on the  $V_{CC}$  bus. These transients can be reduced if capacitors are used to store energy which stabilizes the  $V_{CC}$  bus. The energy stored in the bypass capacitors will be released as low going spikes are generated or energy will be absorbed when overshoots occur. A ceramic bypass capacitor value of  $0.1 \mu\text{F}$  (see [Figure 8](#)) is recommended in order to provide the needed filtering.

In addition to transients that are caused by normal SRAM operation, power cycling can generate negative voltage spikes on  $V_{CC}$  that drive it to values below  $V_{SS}$  by as much as one volt. These negative spikes can cause data corruption in the SRAM while in battery backup mode. To protect from these voltage spikes, ST recommends connecting a schottky diode from  $V_{CC}$  to  $V_{SS}$  (cathode connected to  $V_{CC}$ , anode to  $V_{SS}$ ). (Schottky diode 1N5817 is recommended for through hole and MBRS120T3 is recommended for surface-mount).

**Figure 8. Supply voltage protection**



### 3 Maximum ratings

Stressing the device above the rating listed in the absolute maximum ratings table may cause permanent damage to the device. These are stress ratings only and operation of the device at these or any other conditions above those indicated in the operating sections of this specification is not implied. Exposure to absolute maximum rating conditions for extended periods may affect device reliability.

**Table 5. Absolute maximum ratings**

Symbol	Parameter	Value	Unit
$T_A$	Ambient operating temperature	0 to 70	°C
$T_{STG}$	Storage temperature ( $V_{CC}$ off, oscillator off)	-40 to 85	°C
$T_{BIAS}$	Temperature under bias	-10 to 70	°C
$T_{SLD}^{(1)}$	Lead solder temperature for 10 seconds	260	°C
$V_{IO}$	Input or output voltages	-0.3 to 7	V
$V_{CC}$	Supply voltage	-0.3 to 7.0	V
$I_O$	Output current	20	mA
$P_D$	Power dissipation	1	W

1. Soldering temperature of the IC leads is to not exceed 260 °C for 10 seconds. Furthermore, the devices shall not be exposed to IR reflow nor preheat cycles (as performed as part of wave soldering). ST recommends the devices be hand-soldered or placed in sockets to avoid heat damage to the batteries.

**Caution:** *Negative undershoots below -0.3 V are not allowed on any pin while in the battery backup mode.*

## 4 DC and AC parameters

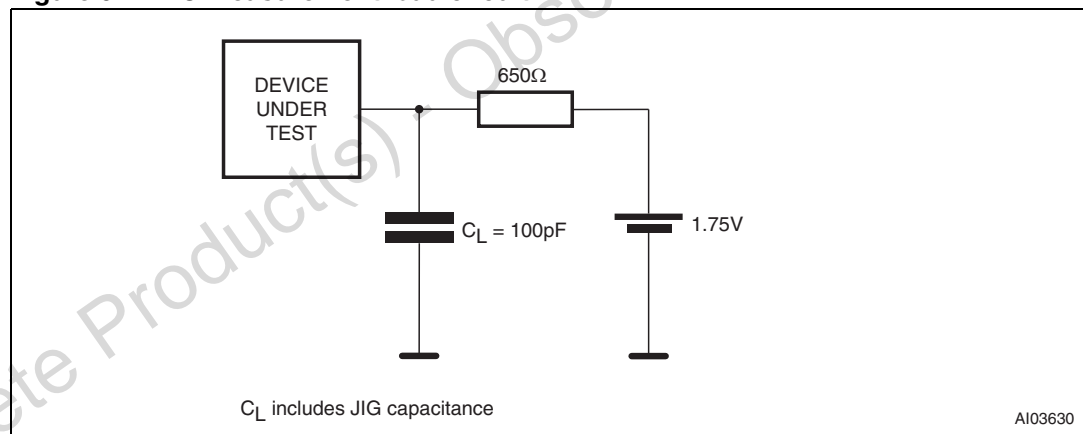
This section summarizes the operating and measurement conditions, as well as the DC and AC characteristics of the device. The parameters in the following DC and AC characteristic tables are derived from tests performed under the measurement conditions listed in the relevant tables. Designers should check that the operating conditions in their projects match the measurement conditions when using the quoted parameters.

**Table 6. Operating and AC measurement conditions**

Parameter	M48Z128/Y	Unit
Supply voltage ( $V_{CC}$ )	4.75 to 5.5 V or 4.5 to 5.5	V
Ambient operating temperature ( $T_A$ )	0 to 70	°C
Load capacitance ( $C_L$ )	100	pF
Input rise and fall times	$\leq 5$	ns
Input pulse voltages	0 to 3	V
Input and output timing ref. voltages	1.5	V

*Note:* Output Hi-Z is defined as the point where data is no longer driven.

**Figure 9. AC measurement load circuit**



**Table 7. Capacitance**

Symbol	Parameter <sup>(1)(2)</sup>	Min	Max	Unit
$C_{IN}$	Input capacitance	-	10	pF
$C_{IO}$ <sup>(3)</sup>	Input / output capacitance	-	10	pF

1. Effective capacitance measured with power supply at 5 V; sampled only, not 100% tested.

2. At 25 °C,  $f = 1$  MHz.

3. Outputs deselected.

Table 8. DC characteristics

Sym	Parameter	Test condition <sup>(1)</sup>	M48Z128/Y		Unit
			-70 / -85 / -120		
			Min	Max	
I <sub>LI</sub>	Input leakage current	$0\text{ V} \leq V_{IN} \leq V_{CC}$		±1	μA
I <sub>LO</sub> <sup>(2)</sup>	Output leakage current	$0\text{ V} \leq V_{OUT} \leq V_{CC}$		±1	μA
I <sub>CC</sub>	Supply current	$\bar{E} = V_{IL}$ Outputs open		105	mA
I <sub>CC1</sub>	Supply current (standby) TTL	$\bar{E} = V_{IH}$		7	mA
I <sub>CC2</sub>	Supply current (standby) CMOS	$\bar{E} = V_{CC} - 0.2\text{ V}$		4	mA
V <sub>IL</sub>	Input low voltage		-0.3	0.8	V
V <sub>IH</sub>	Input high voltage		2.2	V <sub>CC</sub> + 0.3	V
V <sub>OL</sub>	Output low voltage	I <sub>OL</sub> = 2.1 mA		0.4	V
V <sub>OH</sub>	Output high voltage	I <sub>OH</sub> = -1 mA	2.4		V

1. Valid for ambient operating temperature: T<sub>A</sub> = 0 to 70 °C; V<sub>CC</sub> = 4.75 to 5.5 V or 4.5 to 5.5 V (except where noted).

2. Outputs deselected.

Figure 10. Power down/up mode AC waveforms

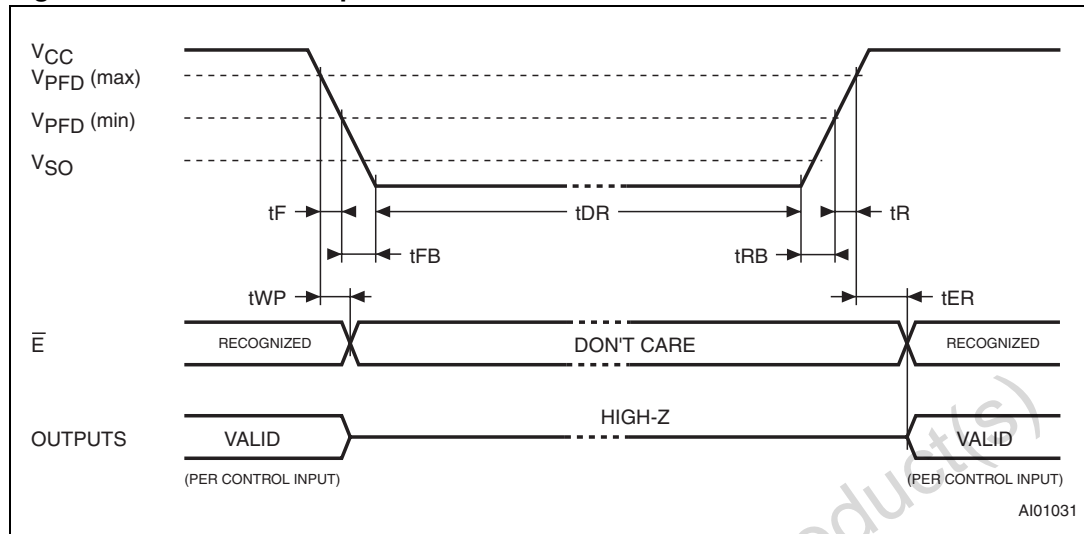


Table 9. Power down/up AC characteristics

Symbol	Parameter <sup>(1)</sup>	Min	Max	Unit
$t_F^{(2)}$	$V_{PFD} (max)$ to $V_{PFD} (min)$ $V_{CC}$ fall time	300		$\mu s$
$t_{FB}^{(3)}$	$V_{PFD} (min)$ to $V_{SS}$ $V_{CC}$ fall time	10		$\mu s$
$t_R$	$V_{PFD} (min)$ to $V_{PFD} (max)$ $V_{CC}$ rise time	10		$\mu s$
$t_{RB}$	$V_{SS}$ to $V_{PFD} (min)$ $V_{CC}$ rise time	1		$\mu s$
$t_{WP}$	Write protect time	40	150	$\mu s$
$t_{ER}$	$\bar{E}$ recovery time	40	120	ms

- Valid for ambient operating temperature:  $T_A = 0$  to  $70$  °C;  $V_{CC} = 4.75$  to  $5.5$  V or  $4.5$  to  $5.5$  V (except where noted).
- $V_{PFD} (max)$  to  $V_{PFD} (min)$  fall time of less than  $t_F$  may result in deselection/write protection not occurring until  $200 \mu s$  after  $V_{CC}$  passes  $V_{PFD} (min)$ .
- $V_{PFD} (min)$  to  $V_{SS}$  fall time of less than  $t_{FB}$  may cause corruption of RAM data.

Table 10. Power down/up trip points DC characteristics

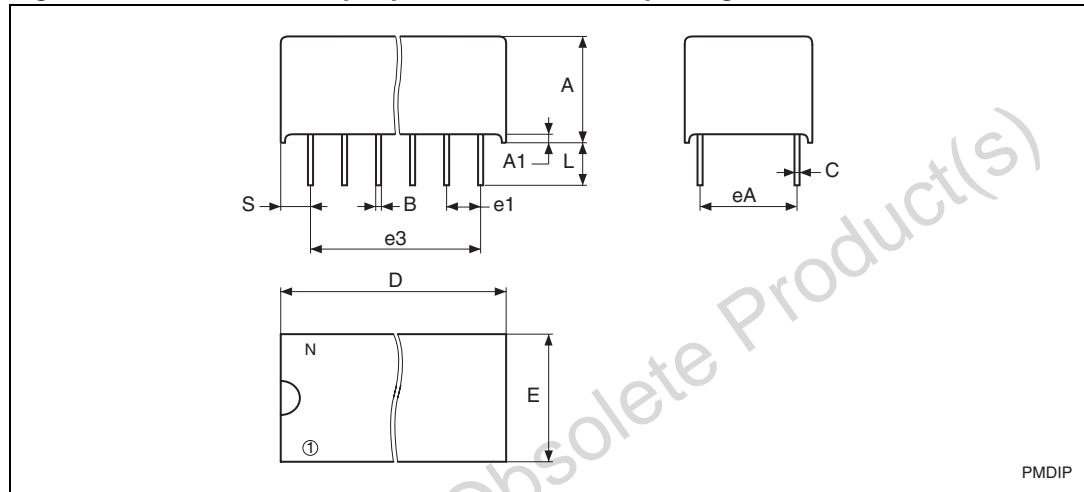
Symbol	Parameter <sup>(1)(2)</sup>	Min	Typ	Max	Unit	
$V_{PFD}$	Power-fail deselect voltage	M48Z128	4.5	4.6	4.75	V
		M48Z128Y	4.2	4.3	4.5	V
$V_{SO}$	Battery backup switchover voltage		3.0		V	
$t_{DR}^{(3)}$	Expected data retention time	10			YEARS	

- All voltages referenced to  $V_{SS}$ .
- Valid for ambient operating temperature:  $T_A = 0$  to  $70$  °C;  $V_{CC} = 4.75$  to  $5.5$  V or  $4.5$  to  $5.5$  V (except where noted).
- At  $25$  °C;  $V_{CC} = 0$  V.

## 5 Package mechanical data

In order to meet environmental requirements, ST offers these devices in different grades of ECOPACK® packages, depending on their level of environmental compliance. ECOPACK® specifications, grade definitions and product status are available at: [www.st.com](http://www.st.com). ECOPACK® is an ST trademark.

Figure 11. PMDIP32 – 32-pin plastic DIP module, package outline



Note: Drawing is not to scale.

Table 11. PMDIP32 – 32-pin plastic DIP module, package mechanical data

Symb	mm			inches		
	Typ	Min	Max	Typ	Min	Max
A		9.27	9.52		0.365	0.375
A1		0.38	–		0.015	–
B		0.43	0.59		0.017	0.023
C		0.20	0.33		0.008	0.013
D		42.42	43.18		1.670	1.700
E		18.03	18.80		0.710	0.740
e1		2.29	2.79		0.090	0.110
e3	38.1			1.5		
eA		14.99	16.00		0.590	0.630
L		3.05	3.81		0.120	0.150
S		1.91	2.79		0.075	0.110
N		32			32	



## 6 Part numbering

**Table 12. Ordering information scheme**

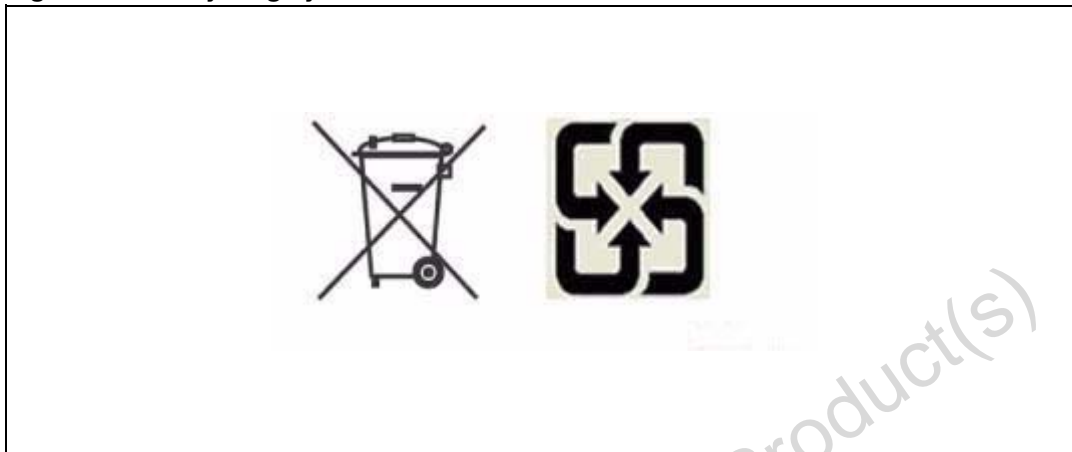
Example:	M48Z	128Y	-70	PM	1
<b>Device type</b>	M48Z				
<b>Supply voltage and write protect voltage</b>		128Y <sup>(1)</sup> = V <sub>CC</sub> = 4.75 to 5.5 V; V <sub>PFD</sub> = 4.5 to 4.75 V 128Y <sup>(1)</sup> = V <sub>CC</sub> = 4.5 to 5.5 V; V <sub>PFD</sub> = 4.2 to 4.5 V			
<b>Speed</b>			-70 = 70 ns -85 = 85 ns -120 <sup>(2)</sup> = 120 ns		
<b>Package</b>				PM = PMDIP32	
<b>Temperature range</b>					1 = 0 to 70 °C
<b>Shipping method</b>					blank = ECOPACK <sup>®</sup> package, tubes

1. Device is not recommended for new design. Contact local ST sales office for availability.
2. Contact local ST sales office for availability.

For other options, or for more information on any aspect of this device, please contact the ST sales office nearest you.

## 7 Environmental information

Figure 12. Recycling symbols



This product contains a non-rechargeable lithium (lithium carbon monofluoride chemistry) button cell battery fully encapsulated in the final product.

Recycle or dispose of batteries in accordance with the battery manufacturer's instructions and local/national disposal and recycling regulations.

## 8 Revision history

**Table 13. Revision history**

Date	Revision	Changes
May-1999	1	First issue
13-Apr-2000	2	Document layout changed; surface-mount chip set solution added
20-Jun-2000	2.1	$t_{GLQX}$ changed ( <a href="#">Table 3</a> )
19-Jul-2000	2.2	M48Z128V added
14-Sep-2001	3	Reformatted; added temperature information ( <a href="#">Table 7, 8, 3, 4, 9, 10</a> )
07-Nov-2001	3.1	Remove chipset option from ordering Information ( <a href="#">Table 12</a> )
20-May-2002	3.2	Modify reflow time and temperature footnotes ( <a href="#">Table 5</a> )
18-Nov-2002	3.3	Modifying SMT solution text (Figure 2, <a href="#">4; Table 2</a> )
17-Sep-2003	3.4	Remove references to M68ZXXX (obsolete) parts ( <a href="#">Figure 4; Table 2</a> ); update disclaimer
22-Feb-2005	4	Reformatted; IR reflow, SO package updates ( <a href="#">Table 5</a> )
20-Jul-2010	5	Reformatted document; updated <a href="#">Features, Section 3: Maximum ratings, Table 11, 12</a> ; added ECOPACK <sup>®</sup> text to <a href="#">Section 5</a> ; added <a href="#">Section 7: Environmental information</a> ; removed SOH28, SNAPHAT <sup>®</sup> housing and all references from datasheet.
26-Sep-2011	6	Devices are not recommended for new design (updated cover page, <a href="#">Table 12</a> ); updated footnote of <a href="#">Table 5: Absolute maximum ratings</a> ; updated <a href="#">Section 7: Environmental information</a> ; removed M48Z128V.

**Please Read Carefully:**

Information in this document is provided solely in connection with ST products. STMicroelectronics NV and its subsidiaries ("ST") reserve the right to make changes, corrections, modifications or improvements, to this document, and the products and services described herein at any time, without notice.

All ST products are sold pursuant to ST's terms and conditions of sale.

Purchasers are solely responsible for the choice, selection and use of the ST products and services described herein, and ST assumes no liability whatsoever relating to the choice, selection or use of the ST products and services described herein.

No license, express or implied, by estoppel or otherwise, to any intellectual property rights is granted under this document. If any part of this document refers to any third party products or services it shall not be deemed a license grant by ST for the use of such third party products or services, or any intellectual property contained therein or considered as a warranty covering the use in any manner whatsoever of such third party products or services or any intellectual property contained therein.

**UNLESS OTHERWISE SET FORTH IN ST'S TERMS AND CONDITIONS OF SALE ST DISCLAIMS ANY EXPRESS OR IMPLIED WARRANTY WITH RESPECT TO THE USE AND/OR SALE OF ST PRODUCTS INCLUDING WITHOUT LIMITATION IMPLIED WARRANTIES OF MERCHANTABILITY, FITNESS FOR A PARTICULAR PURPOSE (AND THEIR EQUIVALENTS UNDER THE LAWS OF ANY JURISDICTION), OR INFRINGEMENT OF ANY PATENT, COPYRIGHT OR OTHER INTELLECTUAL PROPERTY RIGHT.**

**UNLESS EXPRESSLY APPROVED IN WRITING BY TWO AUTHORIZED ST REPRESENTATIVES, ST PRODUCTS ARE NOT RECOMMENDED, AUTHORIZED OR WARRANTED FOR USE IN MILITARY, AIR CRAFT, SPACE, LIFE SAVING, OR LIFE SUSTAINING APPLICATIONS, NOR IN PRODUCTS OR SYSTEMS WHERE FAILURE OR MALFUNCTION MAY RESULT IN PERSONAL INJURY, DEATH, OR SEVERE PROPERTY OR ENVIRONMENTAL DAMAGE. ST PRODUCTS WHICH ARE NOT SPECIFIED AS "AUTOMOTIVE GRADE" MAY ONLY BE USED IN AUTOMOTIVE APPLICATIONS AT USER'S OWN RISK.**

Resale of ST products with provisions different from the statements and/or technical features set forth in this document shall immediately void any warranty granted by ST for the ST product or service described herein and shall not create or extend in any manner whatsoever, any liability of ST.

ST and the ST logo are trademarks or registered trademarks of ST in various countries.

Information in this document supersedes and replaces all information previously supplied.

The ST logo is a registered trademark of STMicroelectronics. All other names are the property of their respective owners.

© 2011 STMicroelectronics - All rights reserved

STMicroelectronics group of companies

Australia - Belgium - Brazil - Canada - China - Czech Republic - Finland - France - Germany - Hong Kong - India - Israel - Italy - Japan - Malaysia - Malta - Morocco - Philippines - Singapore - Spain - Sweden - Switzerland - United Kingdom - United States of America

[www.st.com](http://www.st.com)