

M50253P/M50255P

MITSUBISHI ELEK (LINEAR) 62E D

12-BIT/16-BIT SERIAL PARALLEL CONVERTER

DESCRIPTION

M50253P/M50255P is a semiconductor integrated circuit designed for serial parallel converter with N-ch opendrain output. (V_o 12V max.)

M50253P and M50255P serves as serial parallel converter of 12-bit and 16-bit, respectively.

FEATURES

- Single 5V supply voltage
- High voltage breakdown output (12V)
- Controllable by only 2 pin: CLK, DATA

APPLICATION

Extension of I/O ports for microcomputer

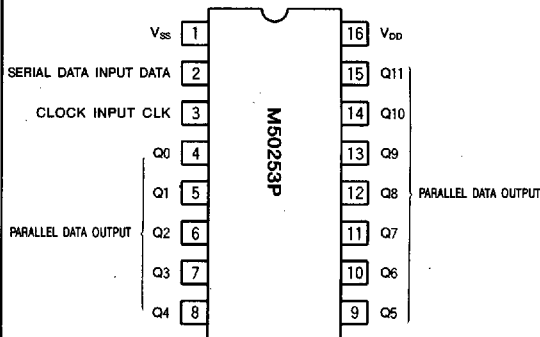
RECOMMENDED OPERATING CONDITION

Supply voltage range 4.5~5.5V

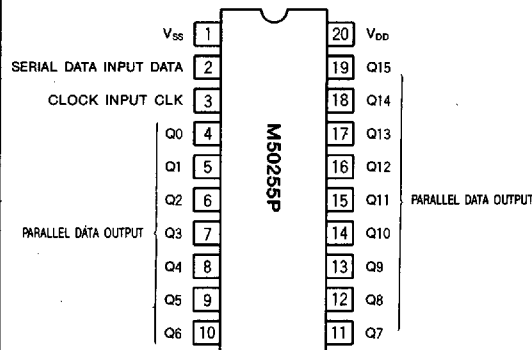
"H" input voltage $0.7 \times V_{DD} \sim V_{DD}$

"L" input voltage $0 \sim 0.3 \times V_{DD}$

PIN CONFIGURATION (TOP VIEW)

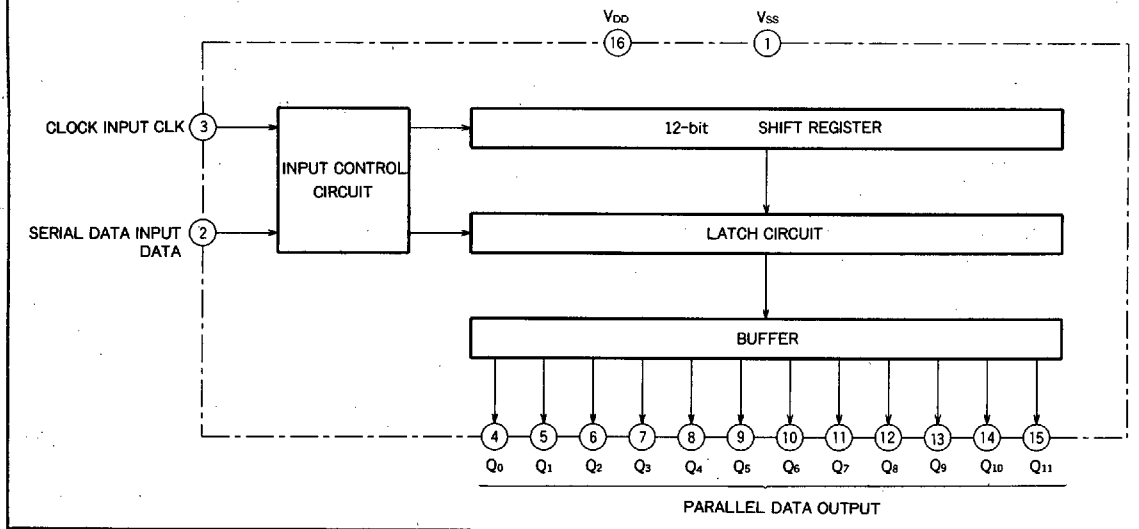


Outline 16P4



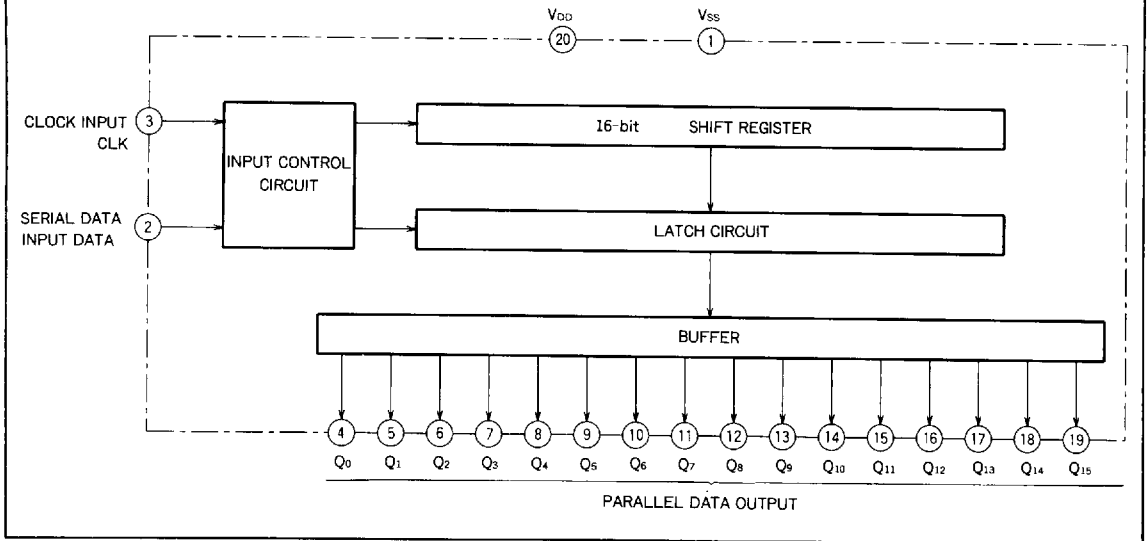
Outline 20P4

BLOCK DIAGRAM (M50253P)

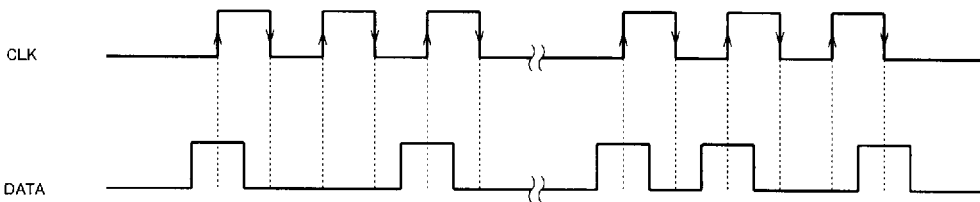


12-BIT/16-BIT SERIAL PARALLEL CONVERTER

BLOCK DIAGRAM (M50255P)



TIMING DIAGRAM



When CLK rises, the DATA is read.

When CLK falls and the DATA is "H," the contents of the shift register are transferred to the latch circuit.

ABSOLUTE MAXIMUM RATINGS

Symbol	Parameter	Ratings	Unit
V_{DD-VSS}	Supply voltage	-0.3~7	V
V_i	Input voltage	$V_{SS}-0.3 \leq V_i \leq V_{DD}+0.3$	V
V_o	Output voltage	$V_{SS} \leq V_o \leq 13$	V
I_o	Output current	20	mA
P_d	Power dissipation	350	mW
T_{opr}	Operating temperature	-20~70	°C
T_{stg}	Storage temperature	-40~125	°C

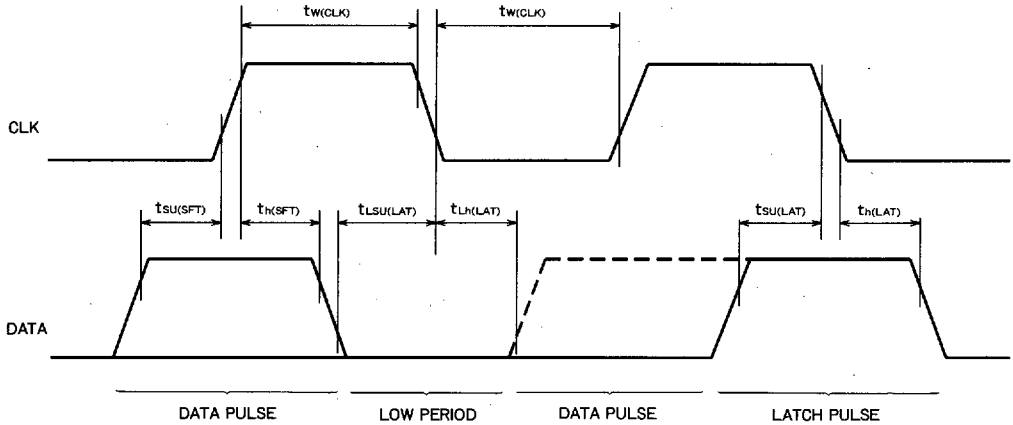
12-BIT/16-BIT SERIAL PARALLEL CONVERTER

ELECTRICAL CHARACTERISTICS (Ta=25°C, VDD = 5V, unless otherwise noted)

Symbol	Parameter	Test conditions	Limits			Unit
			Min.	Typ.	Max.	
I _{DD}	Supply current	Input pin : V _{SS} or V _{DD} level Output pin : open			5	μA
I _{DD}	Supply current	f _{CLK} = 500kHz, DATA : V _{SS} or V _{DD} Output pin : open			5	mA
V _{OL}	"L" output voltage	I _{OL} = 20mA			2	V
I _{OZH}	Off-state "H" output current	V _O = 12V			12	μA
I _{OZL}	Off-state "L" output current	V _O = 0V			-5	μA

Note : The sum of power dissipation should remain below 350 mW, the absolute maximum rating.

TIMING DIAGRAM



Note: Broken line shows DATA "High" before latch pulse.

TIMING REQUIREMENT

Symbol	Parameter	Test conditions	Limits			Unit
			Min.	Typ.	Max.	
t_w (CLK)	CLK pulse width		500			ns
t_{SU} (SFT)	Data shift setup time		200			ns
t_H (SFT)	Data shift hold time		200			ns
t_{SU} (LAT)	Data latch setup time		50			ns
t_H (LAT)	Data latch hold time		250			ns
t_{LSU} (LAT)	Data latch low setup time		200			ns
t_{LH} (LAT)	Data latch low hold time		250			ns