

# M51132L/FP

## 2ch Electronic Volume•Balance

REJ03F0026-0100Z

Rev.1.0

Sep.05.2003

### Description

The M51132 is a VCA (Voltage Controlled Amplifier) IC developed as an electronic volume control for audio-visual equipment. The IC is used to process small analog signals at the stage before power amplifier. Right/left independent volume control or right/left simultaneous volume control can be selected by DC voltages. Its built-in pass through function, in combination with an ALC amplifier, offers the capability of automatic level control.

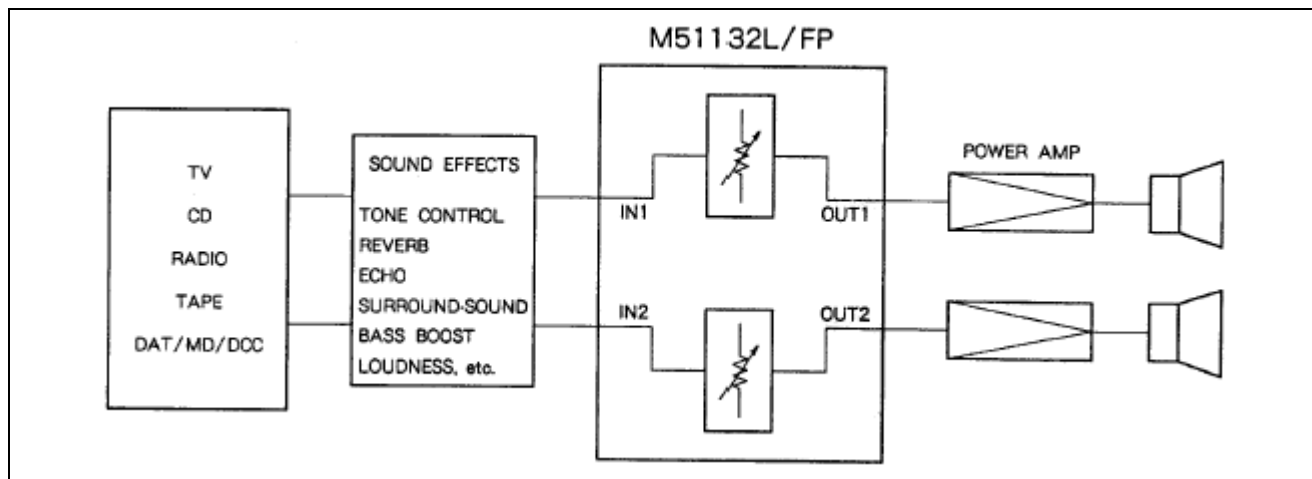
### Features

- Two control modes can be selected.  
(Left/right independent volume control mode or left/right simultaneous volume + balance control mode.)
- Pass through switch is included to output the input signal as it is, irrespective of the volume/balance control voltages.
- Shock noise reduction pin is provided to reduce pass through switch on/off shock noise.
- Built-in reference supply voltage circuit: output current 10 mA (Typ.)
- Maximum input: 3.4 Vrms (Typ.) (f = 1 kHz, THD = 1%)
- Low distortion: 0.005% (Typ.)
- Good channel separation: 102 dB (Typ.) (f = 1 kHz,  $V_o = 2$  Vrms, IHF-A)

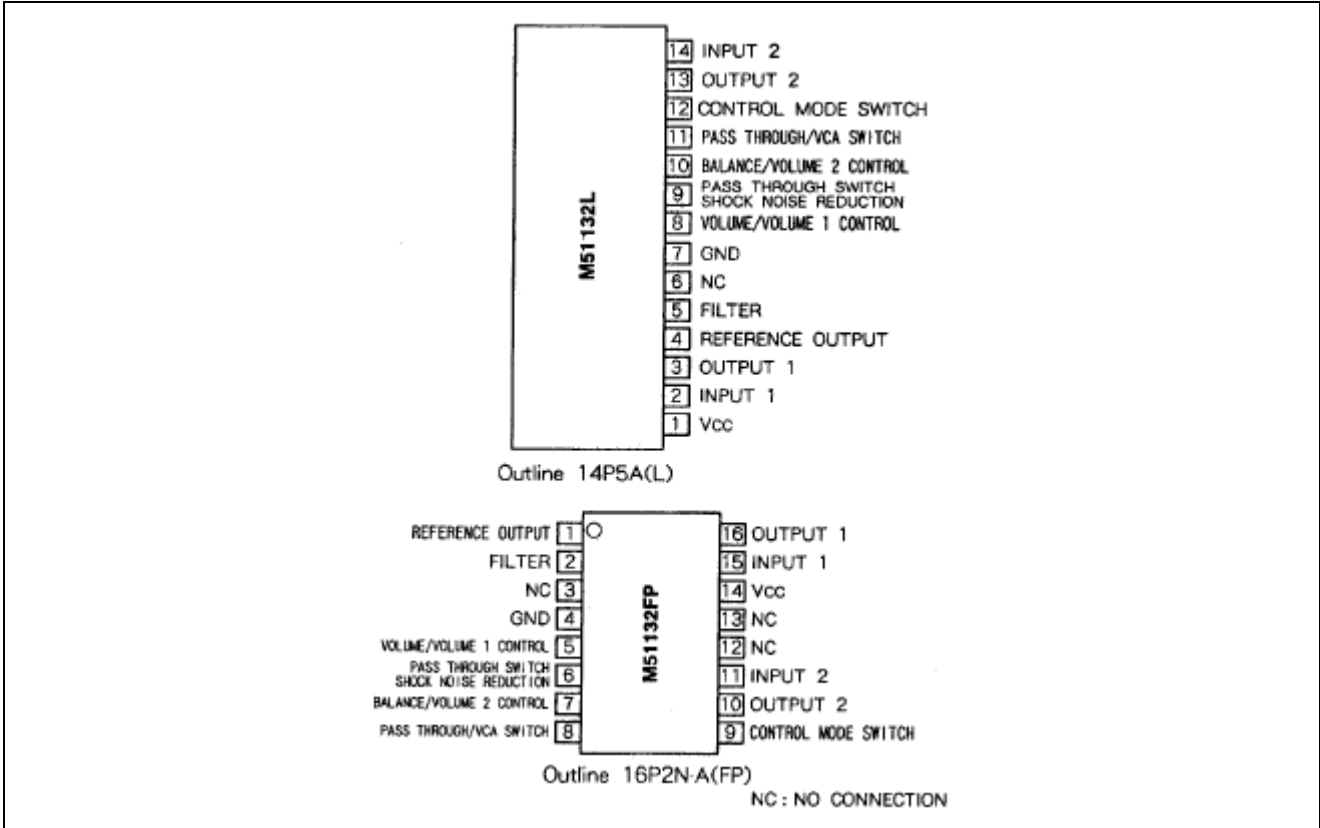
### Recommended Operating Conditions

- Supply voltage range:  $V_{cc} = 8$  to 15 V
- Rated supply voltage:  $V_{cc} = 12$  V

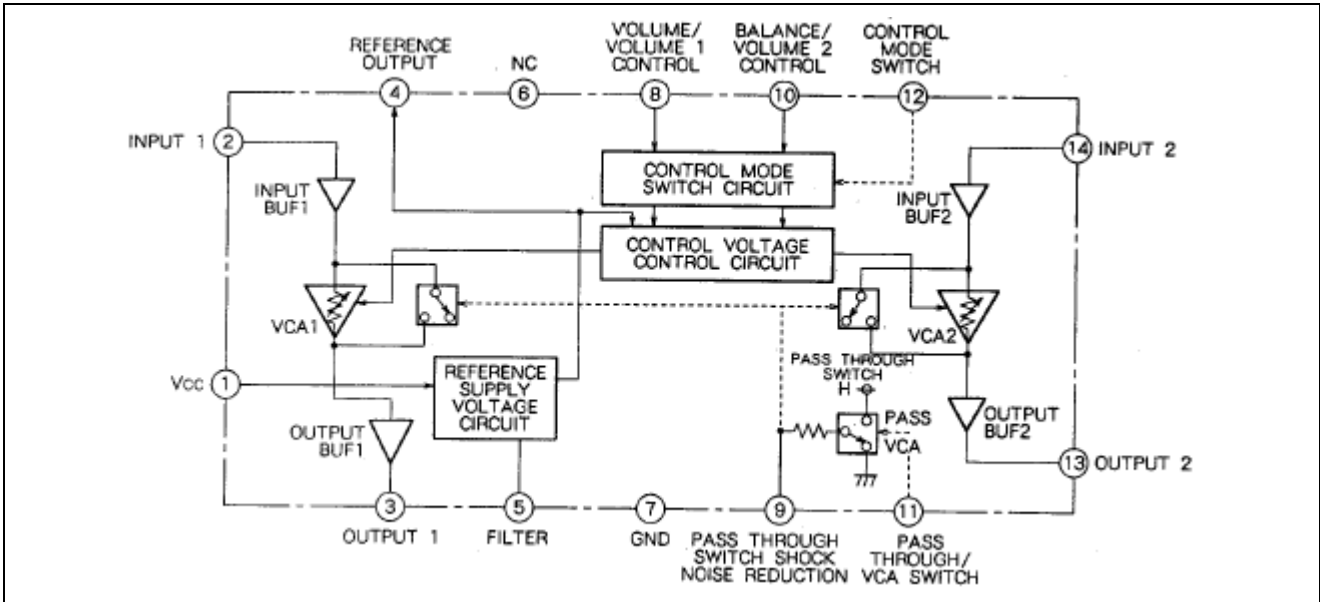
### System Configuration



Pin Configuration



IC Internal Block Diagram (M51132L)



## Pin Description

Pin No.	Pin Name	Function	Typical DC Voltage
1	Vcc	DC 8 to 15 V is applied (rated voltage 12 V)	
2	Input 1	Maximum input 3.4 Vrms (Typ.)	5.5 V
3	Output 1		4.8 V
4	Reference supply voltage output	Maximum output current 10 mA (Typ.) built-in short circuit protection circuit	5.2 V
5	Filter		12 V
6	No connection	Can be used for wire repeater to GND, etc.	
7	GND		
8	Volume/volume 1 control	Left/right simultaneous volume or channel 1 volume is controlled by this value in the range of 0 to 5.2 V DC.	
9	Pass through switch shock noise reduction	Transit noise to the ear is softened by slowly switching between pass through and VCA with time constant when the pass through switch is turned on/off. The time constant is determined by externally connected capacitor. $T(\text{sec}) = 1.2 \times C \times 20k$	5.2 V for pass through and 0 V for VCA
10	Balance/volume 2 control	Balance or channel 2 volume is controlled with 0 to 5.2 V	
11	Pass through/VCA switch	Operates as VCA with 0 V, and passes through the input to output with 5.2 V	
12	Control mode switch	Operates as channel 1 volume at pin 8 and as channel 2 volume at pin 10 with 0 V. Operates as channel 1 and channel 2 simultaneous volume at pin 8 and as balance at pin 10 with 5.2 V.	
13	Output 2		4.8 V
14	Input 2	Maximum input 3.4 Vrms (Typ.)	5.5 V

## Absolute Maximum Ratings

(Ta = 25°C, unless otherwise noted)

Item	Symbol	Ratings	Unit	Conditions
Supply voltage	Vcc	15.5	V	Quiescent
Circuit current	Icc	40	mA	
Power dissipation	Pd	800(L)/550(FP)	mW	When mounted on PC board
Thermal derating	Kθ	8.0(L)/5.5(FP)	mW/°C	Ta ≥ 25°C
Operating temperature	Topr	-20 to +75	°C	
Storage temperature	Tstg	-40 to +125	°C	

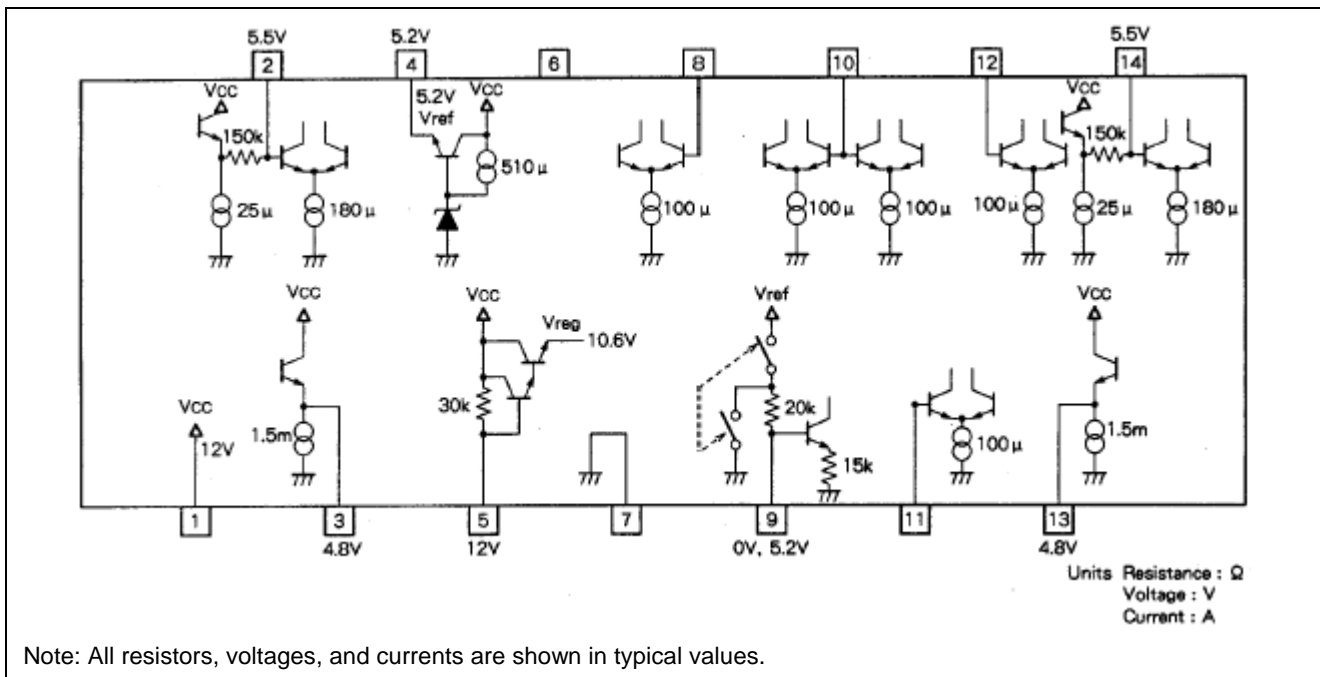
Electrical Characteristics

(Ta = 25°C, Vcc = 12 V, f = 1 kHz, Vi = 1 Vrms, Volume Max, unless otherwise noted)

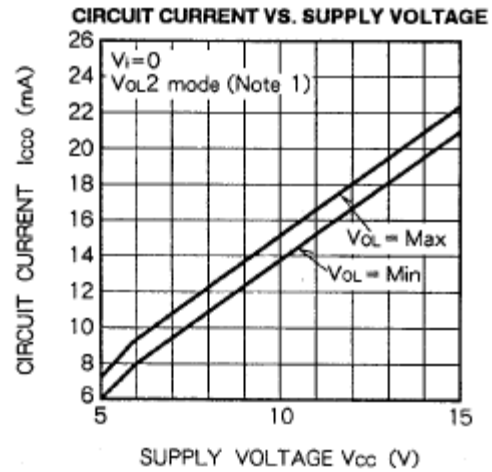
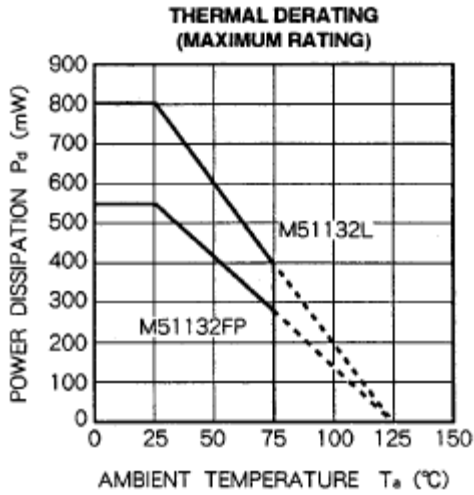
Item	Symbol	Min.	Typ.	Max.	Unit	Test Conditions
Circuit current	Icco	9	17	30	mA	In quiescent state, volume: min
Attenuation	ATT <sub>0</sub>	-2	0	+2	dB	
	Att-∞	—	-105	-85	dB	Vi = 2 Vrms, IHF-A, volume: min
Channel balance	CB	-2	0	+2	dB	
Total harmonic distortion	THD	—	0.01	0.1	%	15 kHz, LPF
Input resistor	Ri	5.0	150	—	kΩ	
Balance attenuation	BAL	—	-105	-85	dB	Vi = 2 Vrms, IHF-A
Output noise voltage	Nomin	—	4.8	10	μVrms	Rg = 10 kΩ, in quiescent state, IHF-A, volume: min
	Nomax	—	9	20	μVrms	Rg = 10 kΩ, in quiescent state, IHF-A
Maximum input voltage	Vimax	2	3.4	—	Vrms	THD = 1%, volume: center
Maximum output voltage	Vomax	2	3.4	—	Vrms	THD = 1%
Crosstalk	C <sub>T</sub>	—	-102	-80	dB	Rg = 0Ω, Vi = 2 Vrms, IHF-A
Pass through voltage gain	G <sub>VP</sub>	-1.2	+0.8	+2.8	DB	Volume: min
Pass through channel balance	C <sub>BP</sub>	-2	0	+2	dB	Volume: min

- Notes: 1. The volume max is the condition in which the same voltage as Vr is applied to pin 8.  
 2. The volume center is the condition in which the same voltage as Vr/2 is applied to pin 8.  
 3. The volume min is the condition in which pin 8 is connected to GND.

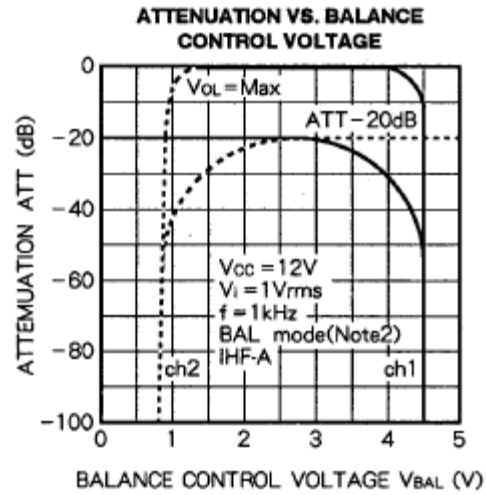
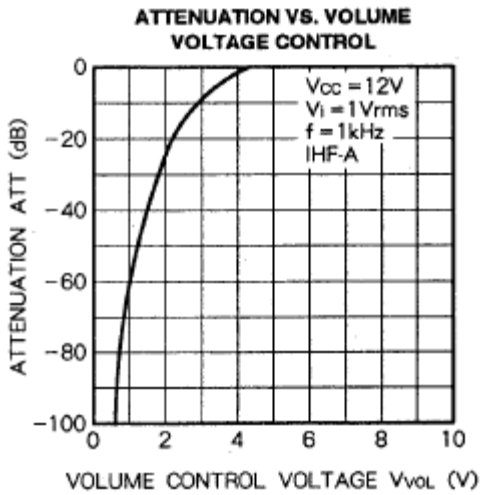
I/O Interface (M51132L)



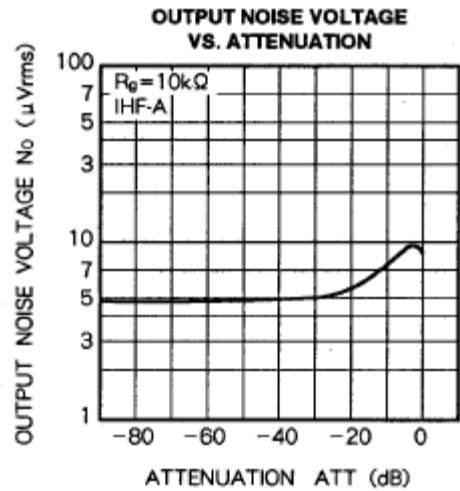
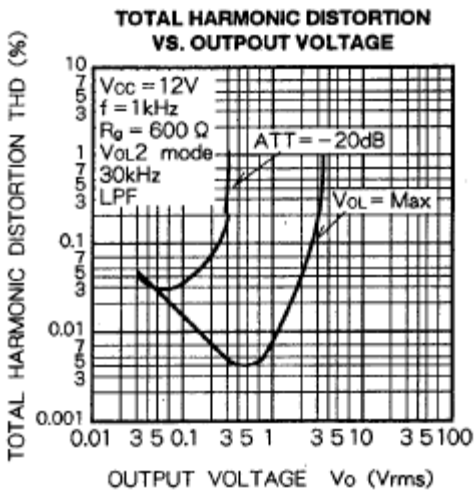
Typical Characteristics

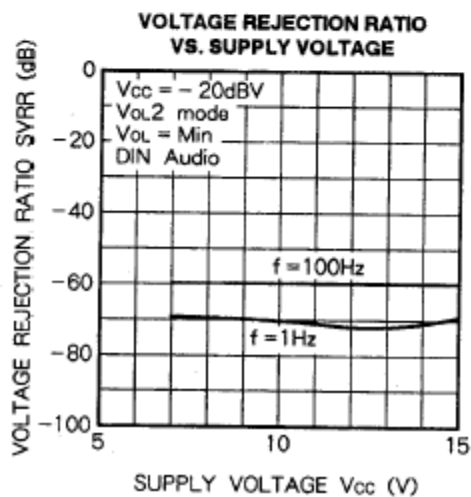
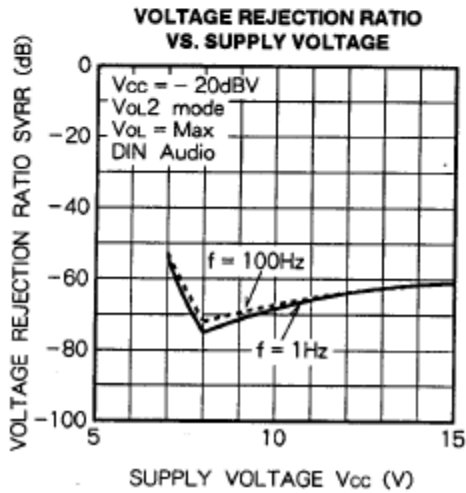
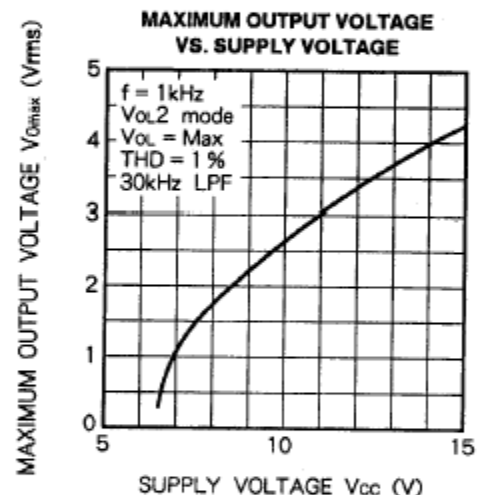
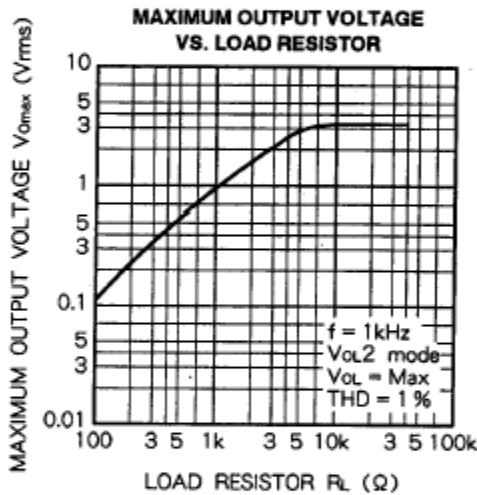
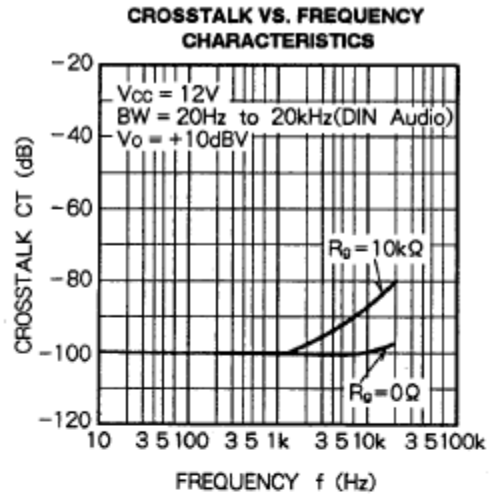
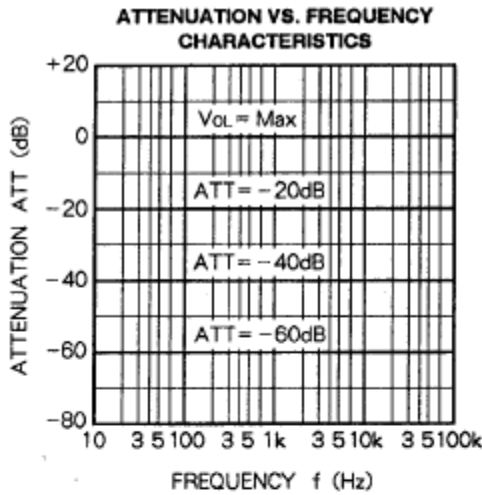


Note 1.  $V_{OL2}$  mode is left/right independent volume control mode.

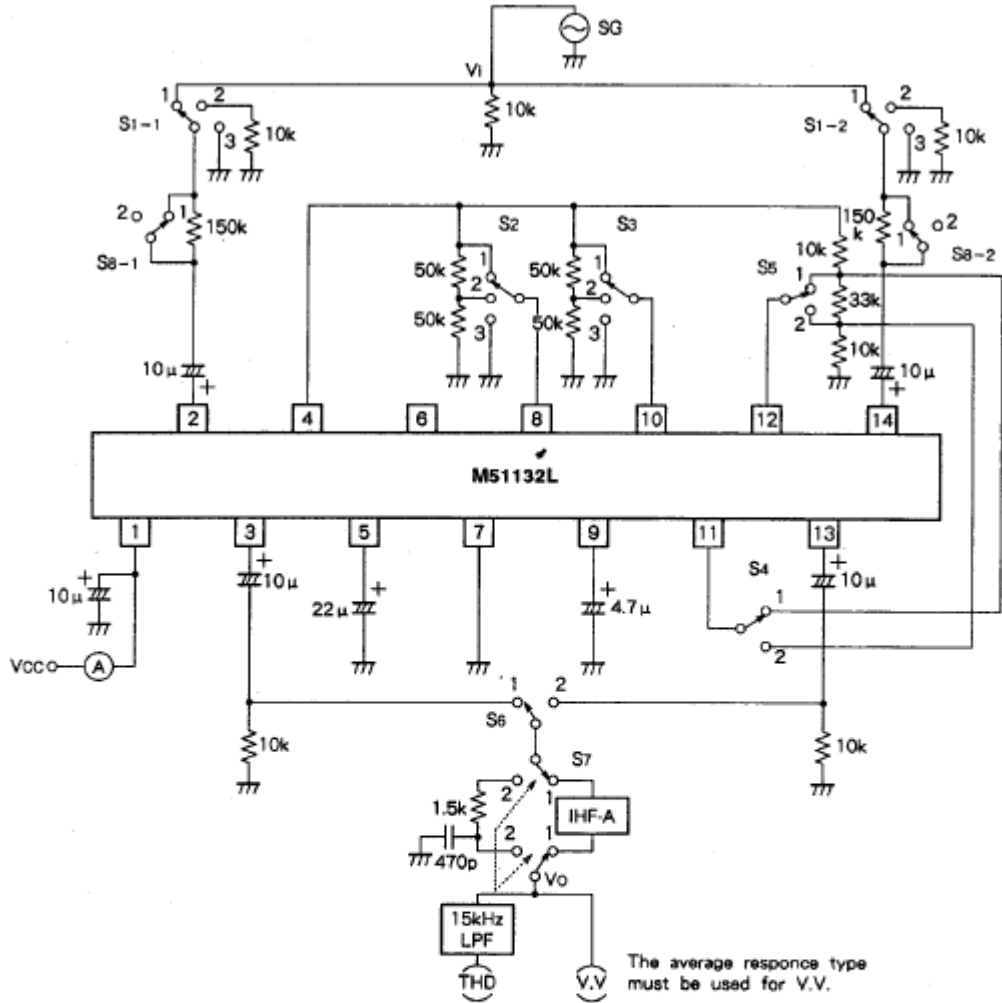


Note 2. BAL mode is left/right simultaneous volume and balance control mode.

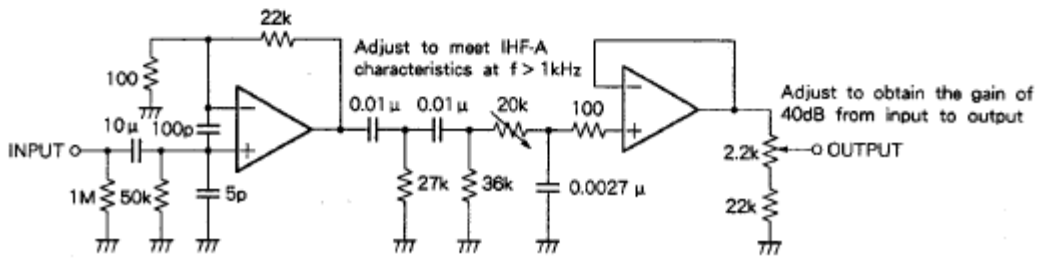




Test Circuit (M51132L)



The IHF-A filter can be replaced with the following circuit.  
 Example of IHF-A filter equivalent circuit (Note that the output is multiplied by 100).



Units Resistance : Ω  
 Capacitance : F

## Switch Condition and Test Method

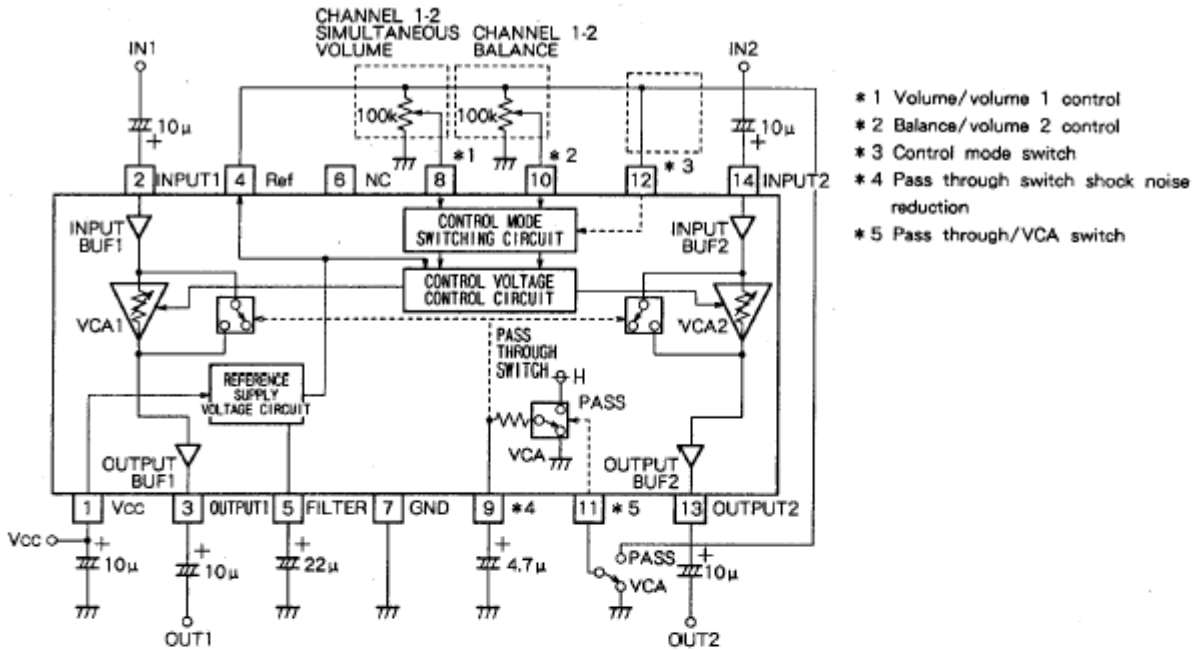
Item	Symbol	Switch										Test Method
		S <sub>1-1</sub>	S <sub>1-2</sub>	S <sub>2</sub>	S <sub>3</sub>	S <sub>4</sub>	S <sub>5</sub>	S <sub>6</sub>	S <sub>7</sub>	S <sub>8-1</sub>	S <sub>8-2</sub>	
Circuit current	I <sub>cco</sub>	2	2	3	3	2	2	1	2	1	1	Measure the current flowing to pin (1) in quiescent state
Attenuation	ATT <sub>o</sub>	1	1	1	$\frac{1}{2}$	2	$\frac{2}{1}$	1/2	2	1	1	Obtain from the equation ATT(dB) = 20 log(V <sub>o</sub> /V <sub>i</sub> )
	Att-∞	1	1	3	$\frac{3}{2}$	2	$\frac{2}{1}$	1/2	1	1	1	ATT-∞ is IHF-A in
Channel balance	CB	1	1	1	$\frac{1}{2}$	2	$\frac{2}{1}$	1→2	2	1	1	CB(dB) = ATT <sub>ch1</sub> – ATT <sub>ch2</sub>
Total harmonic distortion	THD	1	1	1	$\frac{1}{2}$	2	$\frac{2}{1}$	1/2	2	1	1	15 kHz LPF in
Input resistor	R <sub>i</sub>	1	1	1	1	2	2	$\frac{1}{2}$	2	1→2	$\frac{1}{2}$	Given the output as V <sub>o1</sub> when S <sub>8</sub> →1 and the output as V <sub>o2</sub> when S <sub>8</sub> →2, R <sub>i</sub> (kΩ) = 150/(V <sub>o1</sub> /V <sub>o2</sub> – 1)
Balance attenuation	BAL	1	1	1	$\frac{1}{3}$	2	1	$\frac{1}{2}$	1	1	1	BAL(dB) = 20 log(V <sub>o</sub> /V <sub>i</sub> )
Output noise voltage	Nomin	2	2	3	$\frac{3}{2}$	2	$\frac{2}{1}$	1/2	1	1	1	IHF-A in
	Nomax	2	2	1	$\frac{1}{2}$	2	$\frac{2}{1}$	1/2	1	1	1	IHF-A in
Maximum input voltage	V <sub>imax</sub>	1	1	2	2	2	$\frac{2}{1}$	1/2	2	1	1	Input signal voltage when the output distortion rate is 1%
Maximum output voltage	V <sub>omax</sub>	1	1	1	$\frac{1}{2}$	2	$\frac{2}{1}$	1/2	2	1	1	Output signal voltage when the output distortion rate is 1%
Crosstalk	C <sub>T</sub>	$\frac{3}{1}$	$\frac{1}{3}$	1	1	2	2	$\frac{1}{2}$	1	1	1	IHF-A in, C <sub>T</sub> (dB) = 20 log (V <sub>o</sub> (V <sub>rms</sub> )/2(V <sub>rms</sub> ))
Pass through voltage gain	G <sub>VP</sub>	1	1	3	3	1	2	1/2	2	1	1	G <sub>VP</sub> (dB) = 20 log(V <sub>o</sub> /V <sub>i</sub> )
Pass through channel balance	C <sub>BP</sub>	1	1	3	3	1	2	1→2	2	1	1	G <sub>BP</sub> (dB) = G <sub>VPch1</sub> – G <sub>VPch2</sub>

Note: If the parameter is separated into two rows. All the switching conditions in the upper row and all the switching conditions in the lower row are measured.

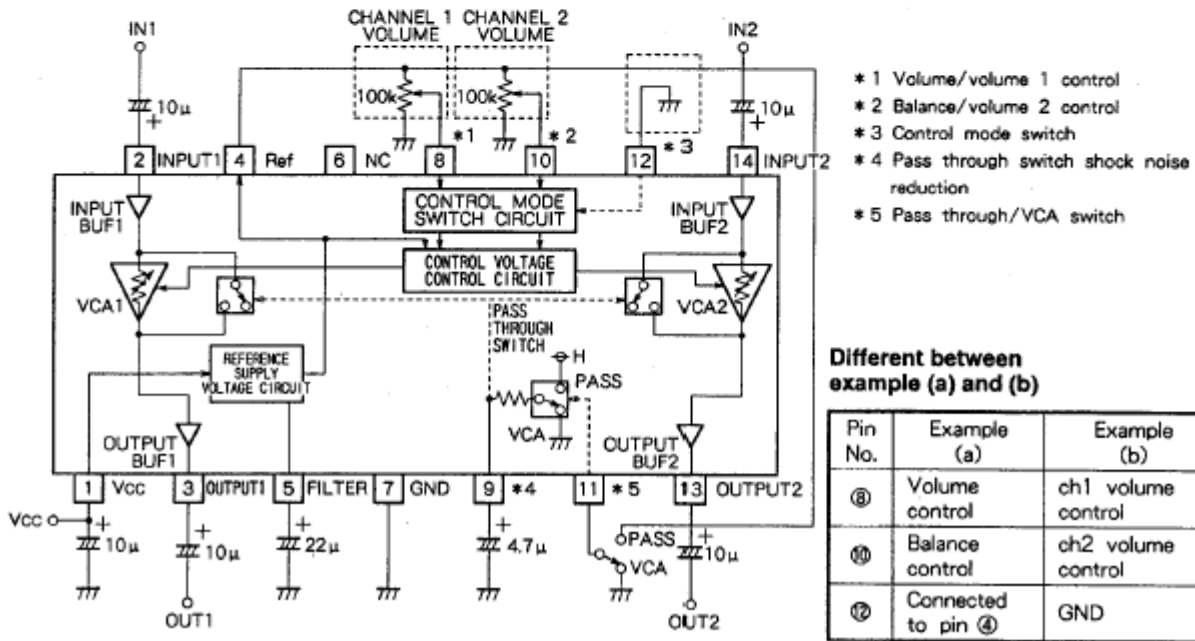


Application Examples (M51132L)

(a) Control by left/right simultaneous variable volume and balancer



(b) Control by left/right independent volume



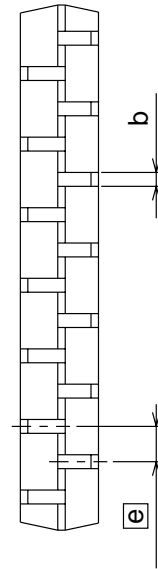
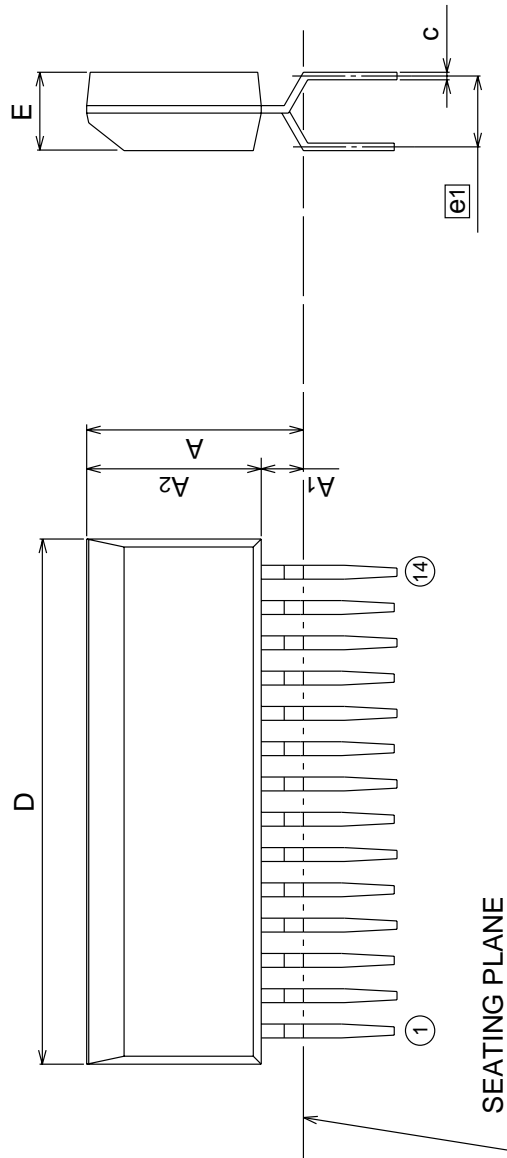
Units Resistance : Ω  
 Capacitance : F

Package Dimensions

**14P5A**

**Plastic 14pin 325mil ZIP**

EIAJ Package Code ZIP14-P-325-1.27	JEDEC Code —	Weight(g) 0.74	Lead Material Cu Alloy
---------------------------------------	-----------------	-------------------	---------------------------



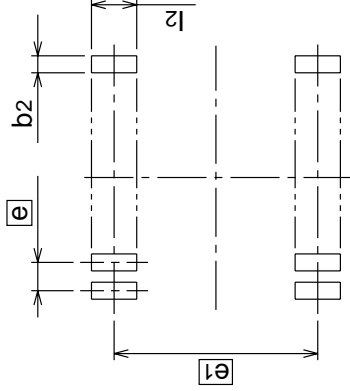
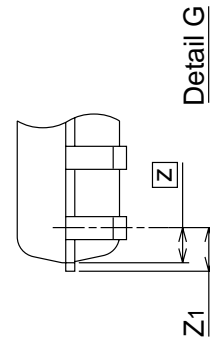
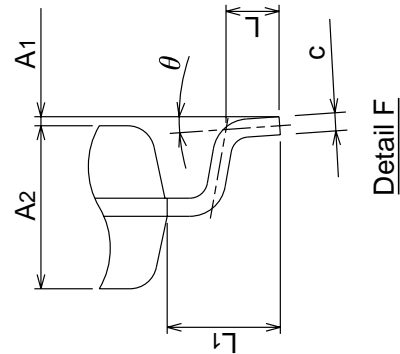
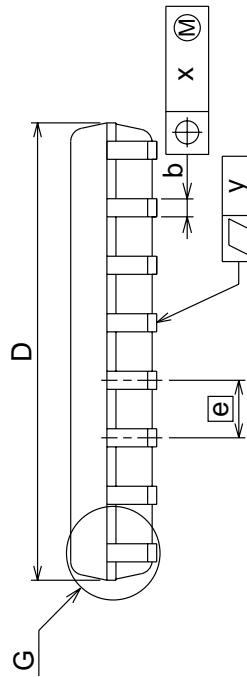
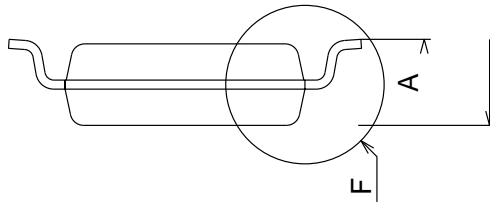
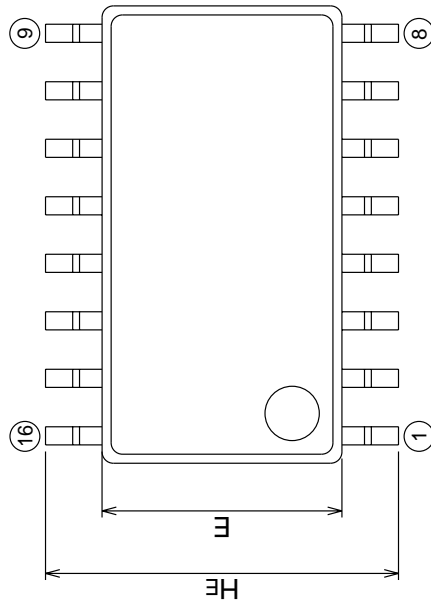
Symbol	Dimension in Millimeters		
	Min	Nom	Max
A	—	—	8.3
A1	0.9	—	—
A2	—	6.3	—
b	0.4	0.5	0.6
c	0.22	0.27	0.34
D	18.8	19.0	19.2
E	2.6	2.8	3.0
e	—	1.27	—
e1	—	2.54	—
L	2.8	—	—

**16P2N-A**

(MMP)

**Plastic 16pin 300mil SOP**

EIAJ Package Code SOP16-P-300-1.27	JEDEC Code —	Weight(g) 0.2	Lead Material Cu Alloy
---------------------------------------	-----------------	------------------	---------------------------



**Recommended Mount Pad**

Symbol	Dimension in Millimeters		
	Min	Nom	Max
A	—	—	2.1
A1	0	0.1	0.2
A2	—	1.8	—
b	0.35	0.4	0.5
c	0.18	0.2	0.25
D	10.0	10.1	10.2
E	5.2	5.3	5.4
e	—	1.27	—
HE	7.5	7.8	8.1
L	0.4	0.6	0.8
L1	—	1.25	—
Z	—	0.605	—
Z1	—	—	0.755
x	—	—	0.25
y	—	—	0.1
$\theta$	0°	—	8°
b2	—	0.76	—
e1	—	7.62	—
l2	1.27	—	—

## RENESAS Technology Corp. Sales Strategic Planning Div. Nippon Bldg., 2-6-2, Ohte-machi, Chiyoda-ku, Tokyo 100-0004, Japan

---

Keep safety first in your circuit designs!

1. Renesas Technology Corp. puts the maximum effort into making semiconductor products better and more reliable, but there is always the possibility that trouble may occur with them. Trouble with semiconductors may lead to personal injury, fire or property damage.  
Remember to give due consideration to safety when making your circuit designs, with appropriate measures such as (i) placement of substitutive, auxiliary circuits, (ii) use of nonflammable material or (iii) prevention against any malfunction or mishap.

Notes regarding these materials

1. These materials are intended as a reference to assist our customers in the selection of the Renesas Technology Corp. product best suited to the customer's application; they do not convey any license under any intellectual property rights, or any other rights, belonging to Renesas Technology Corp. or a third party.
  2. Renesas Technology Corp. assumes no responsibility for any damage, or infringement of any third-party's rights, originating in the use of any product data, diagrams, charts, programs, algorithms, or circuit application examples contained in these materials.
  3. All information contained in these materials, including product data, diagrams, charts, programs and algorithms represents information on products at the time of publication of these materials, and are subject to change by Renesas Technology Corp. without notice due to product improvements or other reasons. It is therefore recommended that customers contact Renesas Technology Corp. or an authorized Renesas Technology Corp. product distributor for the latest product information before purchasing a product listed herein.  
The information described here may contain technical inaccuracies or typographical errors.  
Renesas Technology Corp. assumes no responsibility for any damage, liability, or other loss rising from these inaccuracies or errors.  
Please also pay attention to information published by Renesas Technology Corp. by various means, including the Renesas Technology Corp. Semiconductor home page (<http://www.renesas.com>).
  4. When using any or all of the information contained in these materials, including product data, diagrams, charts, programs, and algorithms, please be sure to evaluate all information as a total system before making a final decision on the applicability of the information and products. Renesas Technology Corp. assumes no responsibility for any damage, liability or other loss resulting from the information contained herein.
  5. Renesas Technology Corp. semiconductors are not designed or manufactured for use in a device or system that is used under circumstances in which human life is potentially at stake. Please contact Renesas Technology Corp. or an authorized Renesas Technology Corp. product distributor when considering the use of a product contained herein for any specific purposes, such as apparatus or systems for transportation, vehicular, medical, aerospace, nuclear, or undersea repeater use.
  6. The prior written approval of Renesas Technology Corp. is necessary to reprint or reproduce in whole or in part these materials.
  7. If these products or technologies are subject to the Japanese export control restrictions, they must be exported under a license from the Japanese government and cannot be imported into a country other than the approved destination.  
Any diversion or reexport contrary to the export control laws and regulations of Japan and/or the country of destination is prohibited.
  8. Please contact Renesas Technology Corp. for further details on these materials or the products contained therein.
- 



### RENESAS SALES OFFICES

<http://www.renesas.com>

**Renesas Technology America, Inc.**  
450 Holger Way, San Jose, CA 95134-1368, U.S.A  
Tel: <1> (408) 382-7500 Fax: <1> (408) 382-7501

**Renesas Technology Europe Limited.**  
Dukes Meadow, Millboard Road, Bourne End, Buckinghamshire, SL8 5FH, United Kingdom  
Tel: <44> (1628) 585 100, Fax: <44> (1628) 585 900

**Renesas Technology Europe GmbH**  
Dornacher Str. 3, D-85622 Feldkirchen, Germany  
Tel: <49> (89) 380 70 0, Fax: <49> (89) 929 30 11

**Renesas Technology Hong Kong Ltd.**  
7/F., North Tower, World Finance Centre, Harbour City, Canton Road, Hong Kong  
Tel: <852> 2265-6688, Fax: <852> 2375-6836

**Renesas Technology Taiwan Co., Ltd.**  
FL 10, #99, Fu-Hsing N. Rd., Taipei, Taiwan  
Tel: <886> (2) 2715-2888, Fax: <886> (2) 2713-2999

**Renesas Technology (Shanghai) Co., Ltd.**  
26/F., Ruijin Building, No.205 Maoming Road (S), Shanghai 200020, China  
Tel: <86> (21) 6472-1001, Fax: <86> (21) 6415-2952

**Renesas Technology Singapore Pte. Ltd.**  
1, Harbour Front Avenue, #06-10, Keppel Bay Tower, Singapore 098632  
Tel: <65> 6213-0200, Fax: <65> 6278-8001