

MITSUBISHI (DGT L LOGIC)

**M54533P****6-UNIT 320mA TRANSISTOR ARRAY WITH CLAMP DIODE AND STROBE****DESCRIPTION**

The M54533P, 6-channel sink driver, consists of 12 NPN transistors to form high current gain driver pairs.

**FEATURES**

- Output breakdown voltage to 20V
- High output sink current to 320mA
- Integral diode for transient suppression
- Strobe control input
- Wide input voltage range from  $-25\text{V}$  to  $+20\text{V}$
- Wide operating temperature range ( $T_a = -20 \sim +75^\circ\text{C}$ )

**APPLICATION**

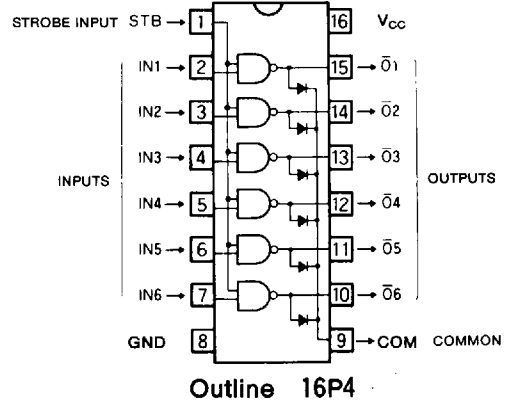
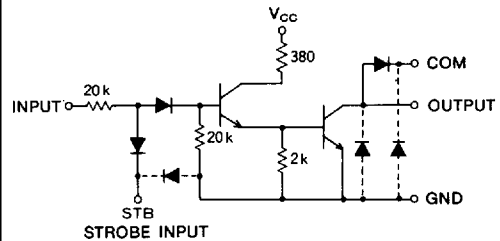
Relay and printer driver, LED or incandescent display digit driver

**FUNCTION**

The M54533P uses a predriver stage. Each input has a diode and  $20\text{k}\Omega$  resistor in series to allow a negative voltage input. All input can be controlled simultaneously by a strobe input at pin 1.

The power supply of the predrivers is connected to pin 16. All emitters and the substrate are connected together to pin 8. Each output has an integral diode for inductive load transient suppression and the cathodes of the diodes are connected to pin 9.

The outputs are capable of sinking 320mA and will withstand 20V in the OFF state.

**PIN CONFIGURATION (TOP VIEW)****CIRCUIT SCHEMATIC**

The diodes shown by broken line are parasite diodes and must not be used

Unit :  $\Omega$ **FUNCTIONAL TABLE**

IN	STB	OUT
L	L	H
H	L	H
L	H	H
H	H	L

**ABSOLUTE MAXIMUM RATINGS** ( $T_a = -25 \sim +75^\circ\text{C}$ , unless otherwise noted)

Symbol	Parameter	Conditions	Ratings	Unit
$V_{CC}$	Supply voltage		10	V
$V_{CEO}$	Output sustaining voltage	Transistor OFF	$-0.5 \sim +20$	V
$I_C$	Collector current	Transistor ON	350	mA
$V_i$	Input voltage		10	V
$P_d$	Power dissipation	$T_a = 25^\circ\text{C}$	1.47	W
$T_{opr}$	Operating temperature		$-20 \sim +75$	$^\circ\text{C}$
$T_{stg}$	Storage temperature		$-55 \sim +125$	$^\circ\text{C}$

**6-UNIT 320mA TRANSISTOR ARRAY WITH CLAMP DIODE AND STROBE**

**RECOMMENDED OPERATIONAL CONDITIONS** ( $T_a = -20 \sim +75^\circ\text{C}$ , unless otherwise noted)

Symbol	Parameter		Limits			Unit
			Min	Typ	Max	
$V_{CC}$	Supply voltage		3		8	V
$V_O$	Output voltage		0		20	V
$I_C$	Collector current per channel	Percent duty cycle less than 25%, $V_{CC}=6.5\text{V}$	0		300	mA
		Percent duty cycle less than 65%, $V_{CC}=6.5\text{V}$	0		150	
$V_{IH}$	"H" Input voltage	$I_C=300\text{mA}$	7		18	V
		$I_C=150\text{mA}$	5		18	
$V_{IL}$	"L" Input voltage	$I_{O(leak)}=50\mu\text{A}$	0		1	V
$V_{IH(STB)}$	"H" Input voltage (strobe input)		2.4		18	V
$V_{IL(STB)}$	"L" Input voltage (strobe input)		0		0.2	V

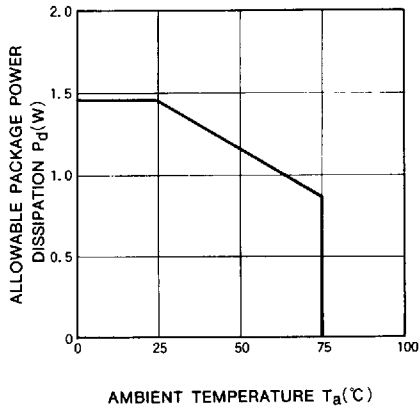
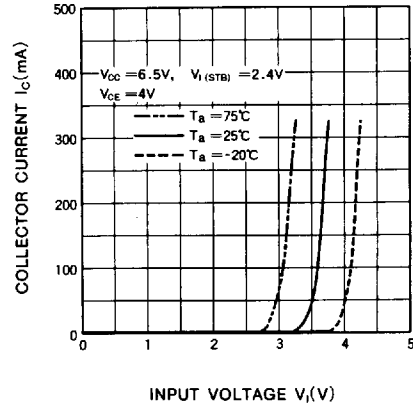
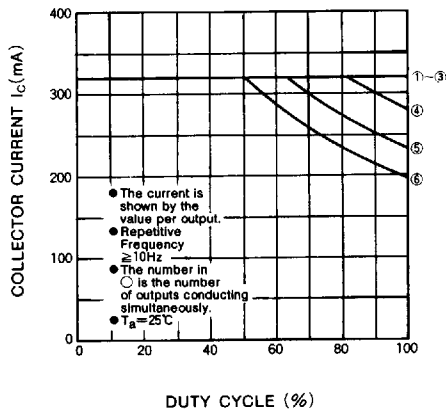
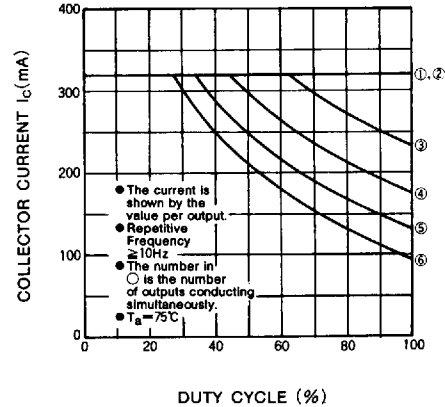
**ELECTRICAL CHARACTERISTICS** ( $T_a = -20 \sim +75^\circ\text{C}$ , unless otherwise noted)

Symbol	Parameter	Test conditions	Limits			Unit
			Min	Typ*	Max	
$V_{(BR)CEO}$	Output sustaining voltage	$V_{CC}=8\text{V}$ , $V_I=18\text{V}$ , $V_{I(STB)}=0.2\text{V}$ $I_{CEO}=100\mu\text{A}$	20			V
$V_{CE(sat)}$	Output saturation voltage	$V_I=7\text{V}$		0.5	0.85	V
		$V_{I(STB)}=2.4\text{V}$	$V_{CC}=6.5\text{V}$ , $I_C=250\text{mA}$ $V_{CC}=3\text{V}$ , $I_C=120\text{mA}$	0.3	0.5	
$I_I$	Input current	$V_{CC}=8\text{V}$ , $V_I=18\text{V}$ , $V_{I(STB)}=2.4\text{V}$		0.8	1.8	mA
$I_R$	Input leakage current	$V_{CC}=8\text{V}$ , $V_I=-25\text{V}$			-20	$\mu\text{A}$
$I_{I(STB)}$	Strobe input current	$V_{CC}=8\text{V}$ , $V_I=18\text{V}$ (all input), $V_{I(STB)}=0.2\text{V}$		-4	-10	mA
$I_{R(STB)}$	Strobe input leakage current	$V_{CC}=8\text{V}$ , $V_I=0\text{V}$ , $V_{I(STB)}=20\text{V}$			20	$\mu\text{A}$
$V_{F(D)}$	Clamp diode forward voltage	$I_{RD1}=320\text{mA}$		1.4	2.4	V
$V_{R(D)}$	Clamp diode reverse voltage	$I_{RD1}=100\mu\text{A}$	20	40		V
$I_{CC}$	Supply current	$V_{CC}=8\text{V}$ , $V_I=7\text{V}$ (all input) $V_{I(STB)}=2.4\text{V}$		120	200	mA
$\beta_{FE}$	DC forward current gain	$V_{CE}=4\text{V}$ , $V_{CC}=6.5\text{V}$ , $I_C=300\text{mA}$ , $T_a=25^\circ\text{C}$ $V_{I(STB)}=2.4\text{V}$	1000	3000		—

\* : Typical values are at  $T_a=25^\circ\text{C}$ .

## 6-UNIT 320mA TRANSISTOR ARRAY WITH CLAMP DIODE AND STROBE

## TYPICAL CHARACTERISTICS

ALLOWABLE AVERAGE  
POWER DISSIPATIONOUTPUT CURRENT  
CHARACTERISTICSALLOWABLE COLLECTOR CURRENT  
AS A FUNCTION OF DUTY CYCLEALLOWABLE COLLECTOR CURRENT  
AS A FUNCTION OF DUTY CYCLEDC CURRENT GAIN  
CHARACTERISTICS