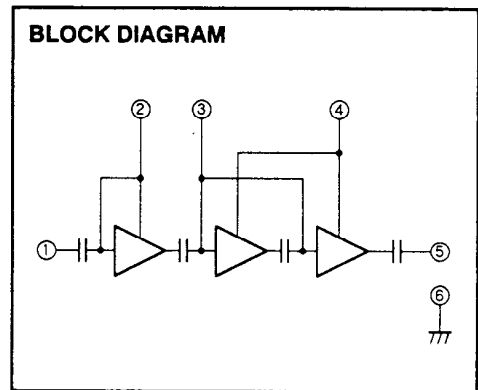
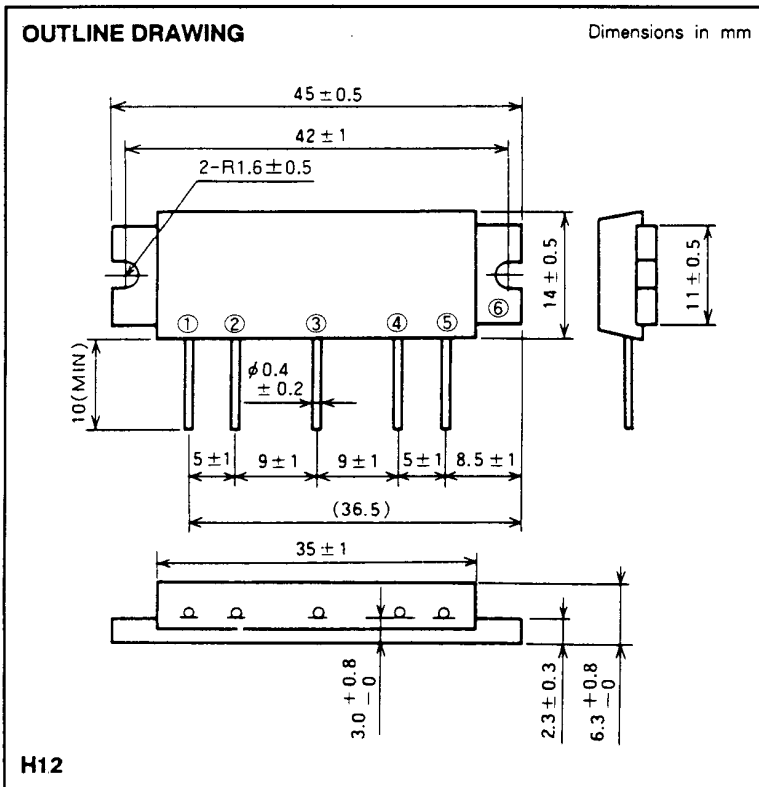


# M57721M

400-450MHz, 12.5V, 7W, FM PORTABLE RADIO



PIN :  
 ① Pin : RF INPUT  
 ② Vcc1 : 1st. DC SUPPLY  
 ③ VBB : BASE BIAS SUPPLY  
 ④ Vcc2 : 2nd. DC SUPPLY  
 ⑤ Po : RF OUTPUT  
 ⑥ GND : FIN

**ABSOLUTE MAXIMUM RATINGS** (Tc = 25°C unless otherwise noted)

Symbol	Parameter	Conditions	Ratings	Unit
Vcc	Supply voltage		16	V
VBB	Base bias		6	V
Icc	Total current		4	A
Pin(max)	Input power	Vcc1 ≤ 12.5V, VBB=5V, ZG=ZL=50Ω	20	mW
PO(max)	Output power	ZG = ZL = 50 Ω	10	W
Tc(OP)	Operation case temperature		- 30 to 110	°C
Tstg	Storage temperature		- 40 to 110	°C

Note. Above parameters are guaranteed independently.

**ELECTRICAL CHARACTERISTICS** (Tc = 25°C unless otherwise noted)

Symbol	Parameter	Test conditions	Limits		Unit
			Min	Max	
f	Frequency range	Vcc1 = Vcc2 = 12.5V VBB = 5V Pin = 10mW ZG = ZL = 50 Ω	400	450	MHz
Po	Output power		7		W
η T	Total efficiency		40		%
2fo	2nd. harmonic			- 30	dBc
3fo	3rd. harmonic			- 35	dBc
ρin	Input VSWR			2.5	-
-	Load VSWR tolerance	Vcc1 = Vcc2 = 13.2V, VBB = 5V Po = 7W (Pin : controlled) Load VSWR ≥ 20 : 1 (All phase) ZG = 50Ω	No degradation or destroy		-

Note. Above parameters, ratings, limits and conditions are subject to change.