



# M58BW032BT, M58BW032BB M58BW032DT, M58BW032DB

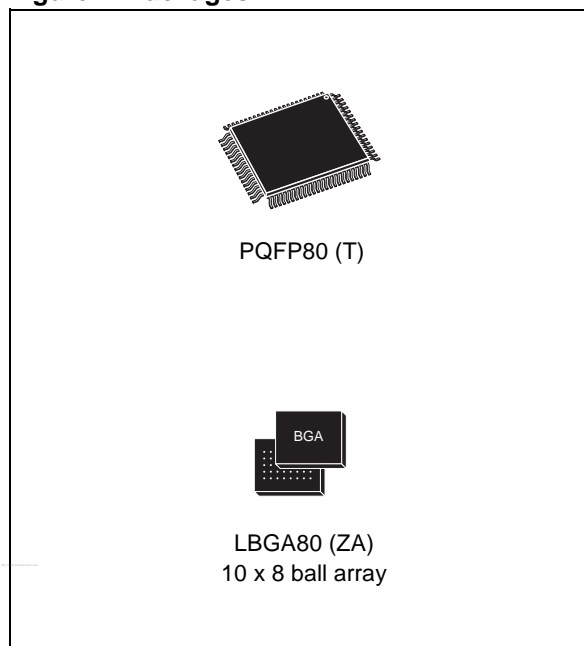
32 Mbit (1Mb x32, Boot Block, Burst)  
3.3V Supply Flash Memory

PRELIMINARY DATA

## FEATURES SUMMARY

- **SUPPLY VOLTAGE**
  - $V_{DD} = 3.0V$  to  $3.6V$  for Program, Erase and Read
  - $V_{DDQ} = V_{DDQIN} = 1.6V$  to  $3.6V$  for I/O Buffers
- **HIGH PERFORMANCE**
  - Access Time: 45, 55 and 60ns
  - 75MHz Effective Zero Wait-State Burst Read
  - Synchronous Burst Reads
  - Asynchronous Page Reads
- **MEMORY ORGANIZATION**
  - Eight 64 Kbit small parameter Blocks
  - Four 128Kbit large parameter Blocks (of which one is OTP)
  - Sixty-two 512Kbit main Blocks
- **HARDWARE BLOCK PROTECTION**
  - $\overline{WP}$  pin Lock Program and Erase
  - $V_{PEN}$  signal for Program/Erase Enable
- **SOFTWARE BLOCK PROTECTION**
  - Tuning Protection to Lock Program and Erase with 64-bit User Programmable Password (M58BW032B version only)
- **SECURITY**
  - 64-bit Unique Device Identifier (UID)
- **FAST PROGRAMMING**
  - Write to Buffer and Program capability
- **OPTIMIZED FOR FDI DRIVERS**
  - Common Flash Interface (CFI)
  - Fast Program/Erase Suspend feature in each block
- **LOW POWER CONSUMPTION**
  - 100 $\mu$ A Typical Standby

Figure 1. Packages



- **ELECTRONIC SIGNATURE**
  - Manufacturer Code: 20h
  - Top Device Code M58BW032xT: 8838h
  - Bottom Device Code M58BW032xB: 8837h
- **OPERATING TEMPERATURE RANGE**
  - Automotive (Grade 3):  $-40$  to  $125^{\circ}C$
  - Industrial (Grade 6):  $-40$  to  $90^{\circ}C$

## TABLE OF CONTENTS

<b>FEATURES SUMMARY</b> .....	<b>1</b>
Figure 1. Packages.....	1
<b>SUMMARY DESCRIPTION</b> .....	<b>6</b>
Figure 2. Logic Diagram .....	7
Table 1. Signal Names .....	7
Figure 3. LBGGA Connections (Top view through package).....	8
Figure 4. PQFP Connections (Top view through package) .....	9
<b>Block Protection</b> .....	<b>10</b>
<b>Tuning Block Protection</b> .....	<b>10</b>
Table 2. Top Boot Block Addresses, M58BW032BT, M58BW032DT .....	11
Table 3. Bottom Boot Block Addresses, M58BW032BB, M58BW032DB .....	12
<b>SIGNAL DESCRIPTIONS</b> .....	<b>13</b>
Address Inputs (A0-A19).....	13
Data Inputs/Outputs (DQ0-DQ31).....	13
Chip Enable ( $\bar{E}$ ).....	13
Output Enable ( $\bar{G}$ ).....	13
Output Disable ( $\bar{GD}$ ).....	13
Write Enable ( $\bar{W}$ ).....	13
Reset/Power-Down (RP).....	13
Program/Erase Enable (VPEN).....	13
Latch Enable ( $\bar{L}$ ).....	13
Burst Clock (K).....	14
Burst Address Advance ( $\bar{B}$ ).....	14
Valid Data Ready (R).....	14
Write Protect ( $\bar{WP}$ ).....	14
Supply Voltage ( $V_{DD}$ ) .....	14
Output Supply Voltage ( $V_{DDQ}$ ).....	14
Input Supply Voltage ( $V_{DDQIN}$ ) .....	14
Ground ( $V_{SS}$ and $V_{SSQ}$ ).....	14
Don't Use (DU) .....	14
Not Connected (NC) .....	14
<b>BUS OPERATIONS</b> .....	<b>15</b>
<b>Asynchronous Bus Operations</b> .....	<b>15</b>
Asynchronous Bus Read.....	15
Asynchronous Latch Controlled Bus Read .....	15
Asynchronous Page Read.....	15
Asynchronous Bus Write .....	15
Asynchronous Latch Controlled Bus Write .....	16
Output Disable.....	16
Standby .....	16

Reset/Power-Down .....	16
Table 4. Asynchronous Bus Operations .....	16
<b>Synchronous Bus Operations .....</b>	<b>17</b>
Synchronous Burst Read .....	17
Synchronous Burst Read Suspend .....	17
Table 5. Synchronous Burst Read Bus Operations .....	17
<b>Burst Configuration Register .....</b>	<b>18</b>
Read Select Bit (M15) .....	18
Standby Disable Bit (M14) .....	18
X-Latency Bits (M13-M11) .....	18
Y-Latency Bit (M9) .....	18
Valid Data Ready Bit (M8) .....	18
Wrap Burst Bit (M3) .....	18
Burst Length Bit (M2-M0) .....	18
Table 6. Burst Configuration Register .....	19
Table 7. Burst Type Definition .....	20
Figure 5. Example Burst Configuration X-1-1-1 .....	21
<b>COMMAND INTERFACE .....</b>	<b>22</b>
<b>Read Memory Array Command .....</b>	<b>22</b>
<b>Read Electronic Signature Command .....</b>	<b>22</b>
<b>Read Query Command .....</b>	<b>22</b>
<b>Read Status Register Command .....</b>	<b>22</b>
<b>Clear Status Register Command .....</b>	<b>22</b>
<b>Block Erase Command .....</b>	<b>22</b>
<b>Erase All Main Blocks Command .....</b>	<b>23</b>
<b>Program Command .....</b>	<b>23</b>
<b>Write to Buffer and Program Command .....</b>	<b>23</b>
<b>Program/Erase Suspend Command .....</b>	<b>24</b>
<b>Program/Erase Resume Command .....</b>	<b>24</b>
<b>Set Burst Configuration Register Command .....</b>	<b>24</b>
<b>Tuning Protection Unlock Command .....</b>	<b>24</b>
<b>Tuning Protection Program Command .....</b>	<b>25</b>
<b>Set Block Protection Configuration Register Command .....</b>	<b>25</b>
<b>Clear Block Protection Configuration Register Command .....</b>	<b>25</b>
Table 8. Commands .....	26
Table 9. Read Electronic Signature .....	27
Table 10. Program, Erase Times and Program Erase Endurance Cycles .....	27
<b>STATUS REGISTER .....</b>	<b>28</b>
<b>Program/Erase Controller Status (Bit 7) .....</b>	<b>28</b>
<b>Erase Suspend Status (Bit 6) .....</b>	<b>28</b>
<b>Erase Status (Bit 5) .....</b>	<b>28</b>
<b>Program/ Write to Buffer and Program/Tuning Protection Unlock Status (Bit 4) .....</b>	<b>28</b>
VPEN Status (Bit 3) .....	28
<b>Program Suspend Status (Bit 2) .....</b>	<b>29</b>

<b>Block Protection Status (Bit 1)</b> .....	<b>29</b>
<b>Tuning Protection Status (Bit 0)</b> .....	<b>29</b>
Table 11. Status Register Bits .....	29
<b>MAXIMUM RATING</b> .....	<b>30</b>
Table 12. Absolute Maximum Ratings .....	30
<b>DC and AC PARAMETERS</b> .....	<b>31</b>
Table 13. Operating and AC Measurement Conditions .....	31
Figure 6. AC Measurement Input Output Waveform .....	31
Figure 7. AC Measurement Load Circuit .....	31
Table 14. Device Capacitance .....	31
Table 15. DC Characteristics .....	32
Figure 8. Asynchronous Bus Read AC Waveforms .....	33
Table 16. Asynchronous Bus Read AC Characteristics .....	33
Figure 9. Asynchronous Latch Controlled Bus Read AC Waveforms .....	34
Table 17. Asynchronous Latch Controlled Bus Read AC Characteristics .....	34
Figure 10. Asynchronous Page Read AC Waveforms .....	35
Table 18. Asynchronous Page Read AC Characteristics .....	35
Figure 11. Asynchronous Write AC Waveform .....	36
Figure 12. Asynchronous Latch Controlled Write AC Waveform .....	37
Table 19. Asynchronous Write and Latch Controlled Write AC Characteristics .....	38
Figure 13. Synchronous Burst Read (Data Valid from 'n' Clock Rising Edge) .....	39
Table 20. Synchronous Burst Read AC Characteristics .....	40
Figure 14. Synchronous Burst Read (Data Valid from 'n' Clock Rising Edge) .....	40
Figure 15. Synchronous Burst Read - Continuous - Valid Data Ready Output .....	41
Figure 16. Synchronous Burst Read - Burst Address Advance .....	41
Figure 17. Reset, Power-Down and Power-up AC Waveform .....	42
Table 21. Reset, Power-Down and Power-up AC Characteristics .....	42
<b>PACKAGE MECHANICAL</b> .....	<b>43</b>
Figure 18. LPGA80 10x12mm - 8x10 ball array, 1mm pitch, Bottom View Package Outline .....	43
Table 22. LPGA80 10x12mm - 8x10 ball array, 1mm pitch, Package Mechanical Data .....	43
Figure 19. PQFP80 - 80 lead Plastic Quad Flat Pack, Package Outline .....	44
Table 23. PQFP80 - 80 lead Plastic Quad Flat Pack, Package Mechanical Data .....	44
<b>PART NUMBERING</b> .....	<b>45</b>
Table 24. Ordering Information Scheme .....	45
<b>APPENDIX A.FLOW CHARTS</b> .....	<b>46</b>
Figure 20. Program Flowchart and Pseudo Code .....	46
Figure 21. Program Suspend & Resume Flowchart and Pseudo Code .....	47
Figure 22. Block Erase Flowchart and Pseudo Code .....	48
Figure 23. Erase Suspend & Resume Flowchart and Pseudo Code .....	49
Figure 24. Unlock Device and Change Tuning Protection Code Flowchart .....	50

Figure 25.Unlock Device and Program a Tuning Protected Block Flowchart . . . . .	51
Figure 26.Unlock Device and Erase a Tuning Protected Block Flowchart . . . . .	52
Figure 27.Power-up Sequence to Burst the Flash. . . . .	53
Figure 28.Command Interface and Program Erase Controller Flowchart (a) . . . . .	54
Figure 29.Command Interface and Program Erase Controller Flowchart (b) . . . . .	55
Figure 30.Command Interface and Program Erase Controller Flowchart (c) . . . . .	56
Figure 31.Command Interface and Program Erase Controller Flowchart (d) . . . . .	57
Figure 32.Command Interface and Program Erase Controller Flowchart (e) . . . . .	58
<b>REVISION HISTORY</b> . . . . .	<b>59</b>
Table 25. Document Revision History . . . . .	59

### SUMMARY DESCRIPTION

The M58BW032B/D is a 32Mbit non-volatile Flash memory that can be erased electrically at the block level and programmed in-system on a Double-Word basis using a 3.0V to 3.6V  $V_{DD}$  supply for the circuit and a  $V_{DDQ}$  supply down to 1.6V for the Input and Output buffers.

The devices support Asynchronous (Latch Controlled and Page Read) and Synchronous Bus operations. The Synchronous Burst Read Interface allows a high data transfer rate controlled by the Burst Clock,  $K$ , signal. It is capable of bursting fixed or unlimited lengths of data. The burst type, latency and length are configurable and can be easily adapted to a large variety of system clock frequencies and microprocessors. All Writes are Asynchronous. On power-up the memory defaults to Read mode with an Asynchronous Bus.

The device features an asymmetrical block architecture. The M58BW032B/D has an array of 62 main blocks of 512 Kbits each, plus 4 large parameter blocks of 128Kbits each and 8 small parameter blocks of 64 Kbits each. The large and small parameter blocks are located either at the top (M58BW032BT, M58BW032DT) or at the bottom (M58BW032BB, M58BW032DB) of the address space. The first large parameter block is referred to as Boot Block and can be used either to store a boot code or parameters. The memory array organization is detailed in Tables 2, Top Boot Block Addresses and 3, Bottom Boot Block Addresses.

Program and Erase commands are written to the Command Interface of the memory. An on-chip Program/Erase Controller simplifies the process of programming or erasing the memory by taking care of all of the special operations that are required to update the memory contents. The end of a Program or Erase operation can be detected and any error conditions identified in the Status Register. The command set required to control the memory is consistent with JEDEC standards.

Erase can be suspended in order to perform either Read or Program in any other block and then resumed. Program can be suspended to Read data in any other block and then resumed. Each block

can be programmed and erased over 100,000 cycles.

All blocks are protected during power-up. The M58BW032B features four different levels of hardware and software block protection to avoid unwanted program/erase operations:

- Write/Protect Enable input,  $\overline{WP}$ , provides a hardware protection of a combination of blocks from program or erase operations. The Block Protection configuration can be defined individually by issuing a Set Block Protection Configuration Register or Clear Block Protection Configuration Register commands.
- All Program or Erase operations are blocked when Reset,  $RP$ , is held low.
- A Program/Erase Enable input,  $V_{PEN}$ , is used to protect all blocks, preventing Program and Erase operations from affecting their data.
- The Program and Erase commands can be password protected by the Tuning Protection command.

The M58BW032D offers the same protection features with the exception of the Tuning Block Protection which is disabled in the factory.

A Reset/Power-down mode is entered when the  $RP$  input is Low. In this mode the power consumption is reduced to the standby level, the device is write protected and both the Status and Burst Configuration Registers are cleared. A recovery time is required when the  $RP$  input goes High.

A manufacturer and device code are available. They can be read from the memory allowing programming equipment or applications to automatically match their interface to the characteristics of the memory.

Finally, the M58BW032B/D features a Unique Device Identifier (UID) which is programmed by ST. It is unique for each die and can be used to implement cryptographic algorithms to improve security.

The memory is offered in PQFP80 (14 x 20mm) and LPGA80 (1.0mm pitch) packages and it is supplied with all the bits erased (set to '1').

Figure 2. Logic Diagram

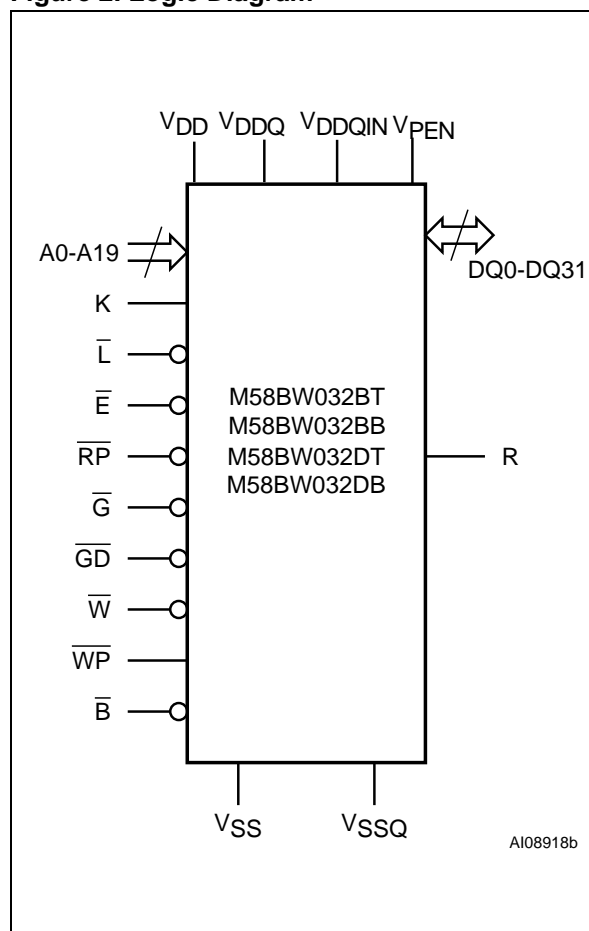


Table 1. Signal Names

A0-A19	Address inputs
DQ0-DQ7	Data Input/Output, Command Input
DQ8-DQ15	Data Input/Output, Burst Configuration Register
DQ16-DQ31	Data Input/Output
$\bar{B}$	Burst Address Advance
$\bar{E}$	Chip Enable
$\bar{G}$	Output Enable
K	Burst Clock
$\bar{L}$	Latch Enable
R	Valid Data Ready
$\bar{RP}$	Reset /Power-Down
$\bar{W}$	Write Enable
$\bar{GD}$	Output Disable
$\bar{WP}$	Write Protect
VDD	Supply Voltage
VDDQ	Power Supply for Output Buffers
VDDQIN	Power Supply for Input Buffers only
VPEN	Program/Erase Enable
VSS	Ground
VSSQ	Input/Output Ground
NC	Not Connected Internally
DU	Don't Use as Internally Connected

Figure 3. LBGA Connections (Top view through package)

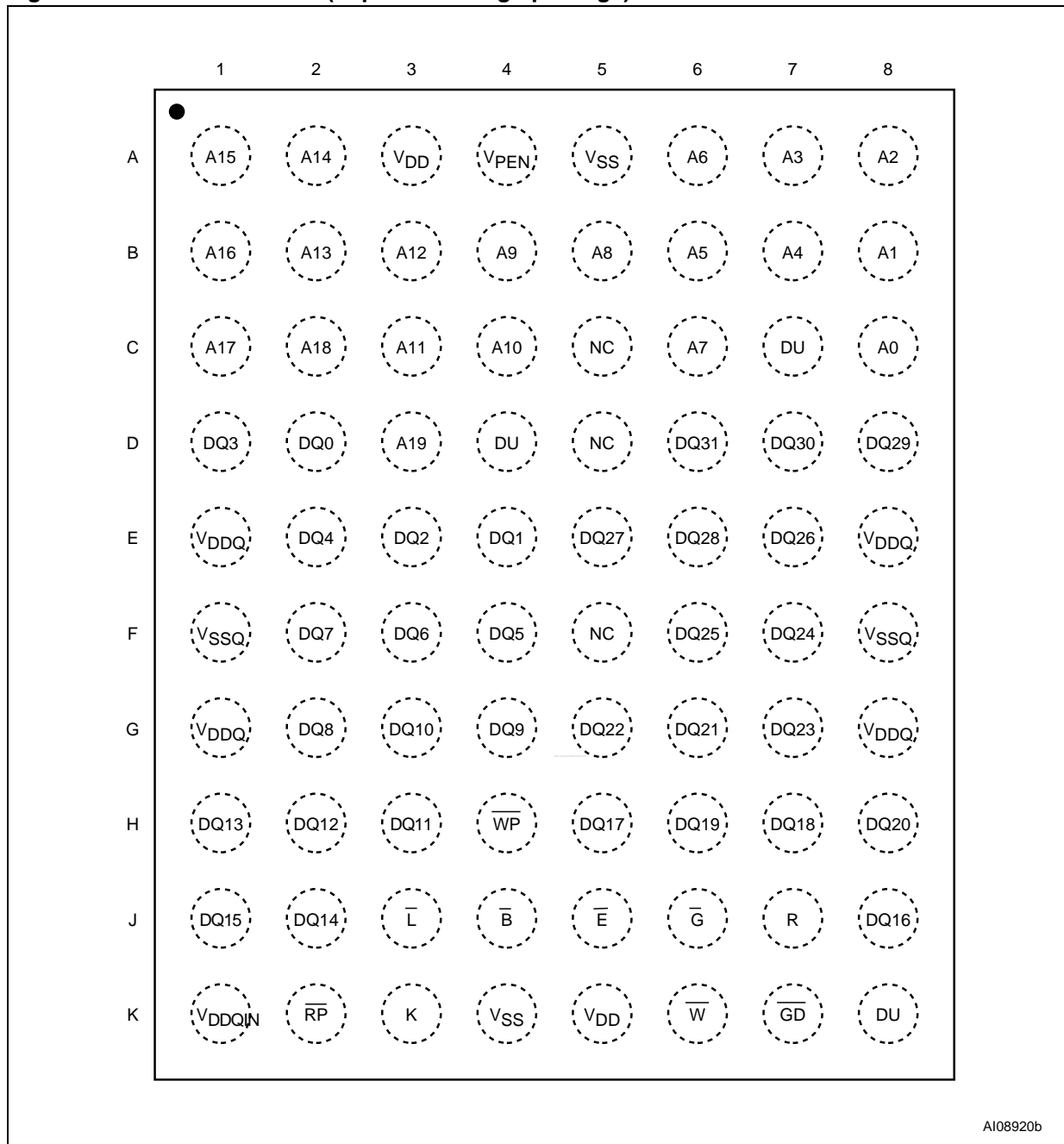
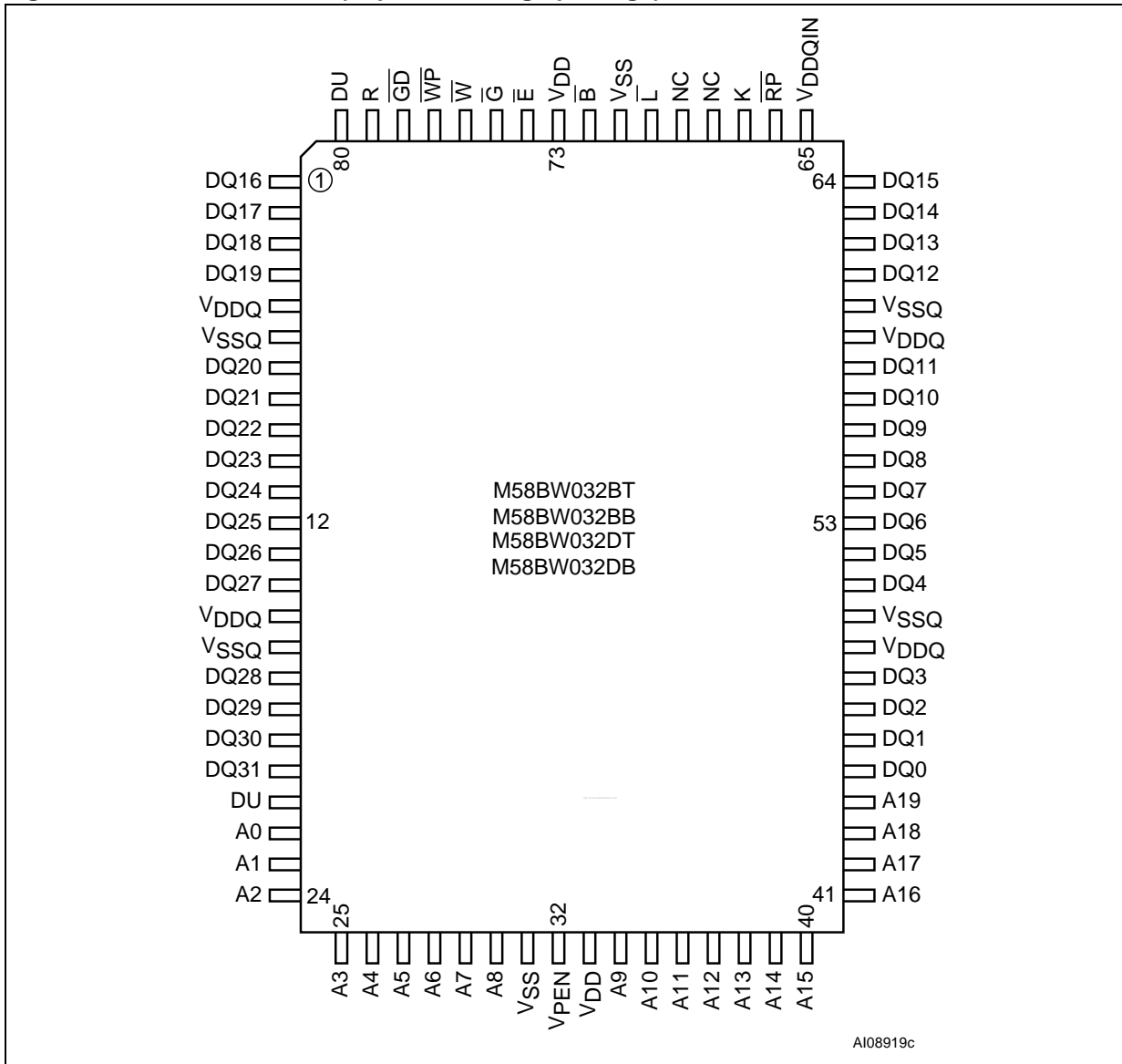




Figure 4. PQFP Connections (Top view through package)



### Block Protection

The M58BW032B features four different levels of block protection. The M58BW032D has the same block protection with the exception of the Tuning Block Protection, which is disabled in the factory.

- **Write Protect Pin,  $\overline{WP}$** , - When  $\overline{WP}$  is Low,  $V_{IL}$ , the protection status that has been configured in the Block Protection Configuration Register is activated. The Block Protection Configuration Register is volatile. Any combination of blocks is possible. Any attempt to program or erase a protected block will be ignored and will return an error in the Status Register (see [Table 11.](#), [Status Register Bits](#)).
- **Reset/Power-Down Pin,  $\overline{RP}$** , - If the device is held in reset mode ( $\overline{RP}$  at  $V_{IL}$ ), no program or erase operations can be performed on any block.
- **Program/Erase Enable,  $V_{PEN}$** , -  $V_{PEN}$  protects all blocks preventing Program and Erase operations from affecting their data. Program/Erase Enable must be kept High ( $V_{IH}$ ) during all Program/Erase Controller operations, otherwise the operations is not guaranteed to succeed and data may become corrupt.
- **Tuning Block Protection** - M58BW032B features a 64 bit password protection for program and erase operations for a fixed number of blocks After power-up or reset the device is tuning protected. An Unlock command is provided to allow program or erase operations in all the blocks.

After a device reset the first two kinds of block protection ( $\overline{WP}$ ,  $\overline{RP}$ ) can be combined to give a flexible block protection. They do not affect the Tuning

Block Protection. When the two protections are disabled,  $\overline{WP}$  and  $\overline{RP}$  at  $V_{IH}$ , the blocks locked by the Tuning Block Protection cannot be modified. All blocks are protected at power-up.

### Tuning Block Protection

The Tuning Block Protection is a software feature to protect blocks from program or erase operations. It allows the user to lock program and erase operations with a user definable 64 bit code. It is only available on the M58BW032B version.

The code is written once in the Tuning Protection Register and cannot be erased. When shipped the flash memory will have the Tuning Protection Code bits set to '1'. The user can program a '0' in any of the 64 positions. Once programmed it is not possible to reset a bit to '1' as the cells cannot be erased. The Tuning Protection Register can be programmed at any moment (after providing the correct code), however once all bits are set to '0' the Tuning Protection Code can no longer be altered.

The Tuning Protection Code locks the program and erase operations of all the blocks except for blocks 12 and 13 for the bottom configuration, and blocks 60 and 61 for the top configuration.

The tuning blocks are "locked" if the tuning protection code has not been provided, and "unlocked" once the correct code has been provided. The tuning blocks are locked after reset or power-up. The tuning protection status can be monitored in the Status Register. Refer to the Status Register section.

Refer to the Command Interface section for the Tuning Protection Block Unlock and Tuning Protection Program commands. See [Appendix A](#), [Figure 24](#), [25](#) and [26](#) for suggested flowcharts for using the Tuning Block Protection commands.

## M58BW032BT, M58BW032BB, M58BW032DT, M58BW032DB

**Table 2. Top Boot Block Addresses, M58BW032BT, M58BW032DT**

#	Size (Kbit)	Address Range <sup>(1)</sup>	TP <sup>(2)</sup>
73	128	FF000h-FFFFh	yes
72	128	FE000h-FEFFFh <sup>(3)</sup>	yes
71	128	FD000h-FDFFFh	yes
70	128	FC000h-FCFFFh	yes
69	64	FB800h-FBFFFh	yes
68	64	FB000h-FB7FFh	yes
67	64	FA800h-FAFFFh	yes
66	64	FA000h-FA7FFh	yes
65	64	F9800h-F9FFFh	yes
64	64	F9000h-F97FFh	yes
63	64	F8800h-F8FFFh	yes
62	64	F8000h-F87FFh	yes
61	512	F4000h-F7FFFh	no
60	512	F0000h-F3FFFh	no
59	512	EC000h-EFFFFh	yes
58	512	E8000h-EBFFFh	yes
57	512	E4000h-E7FFFh	yes
56	512	E0000h-E3FFFh	yes
55	512	DC000h-DFFFFh	yes
54	512	D8000h-DBFFFh	yes
53	512	D4000h-D7FFFh	yes
52	512	D0000h-D3FFFh	yes
51	512	CC000h-CFFFFh	yes
50	512	C8000h-CBFFFh	yes
49	512	C4000h-C7FFFh	yes
48	512	C0000h-C3FFFh	yes
47	512	BC000h-BFFFFh	yes
46	512	B8000h-BBFFFh	yes
45	512	B4000h-B7FFFh	yes
44	512	B0000h-B3FFFh	yes
43	512	AC000h-AFFFFh	yes
42	512	A8000h-ABFFFh	yes
41	512	A4000h-A7FFFh	yes
40	512	A0000h-A3FFFh	yes
39	512	9C000h-9FFFFh	yes
38	512	98000h-9BFFFh	yes
37	512	94000h-97FFFh	yes

#	Size (Kbit)	Address Range <sup>(1)</sup>	TP <sup>(2)</sup>
36	512	90000h-93FFFh	yes
35	512	8C000h-8FFFFh	yes
34	512	88000h-8BFFFh	yes
33	512	84000h-87FFFh	yes
32	512	80000h-83FFFh	yes
31	512	7C000h-7FFFFh	yes
30	512	78000h-7BFFFh	yes
29	512	74000h-77FFFh	yes
28	512	70000h-73FFFh	yes
27	512	6C000h-6FFFFh	yes
26	512	68000h-6BFFFh	yes
25	512	64000h-67FFFh	yes
24	512	60000h-63FFFh	yes
23	512	5C000h-53FFFh	yes
22	512	58000h-5BFFFh	yes
21	512	54000h-57FFFh	yes
20	512	50000h-53FFFh	yes
19	512	4C000h-4FFFFh	yes
18	512	48000h-4BFFFh	yes
17	512	44000h-47FFFh	yes
16	512	40000h-43FFFh	yes
15	512	3C000h-3FFFFh	yes
14	512	38000h-3BFFFh	yes
13	512	34000h-37FFFh	yes
12	512	30000h-33FFFh	yes
11	512	2C000h-2FFFFh	yes
10	512	28000h-2BFFFh	yes
9	512	24000h-27FFFh	yes
8	512	20000h-23FFFh	yes
7	512	1C000h-1FFFFh	yes
6	512	18000h-1BFFFh	yes
5	512	14000h-17FFFh	yes
4	512	10000h-13FFFh	yes
3	512	0C000h-0FFFFh	yes
2	512	08000h-0BFFFh	yes
1	512	04000h-07FFFh	yes
0	512	00000h-03FFFh	yes

Note: 1. Addresses are indicated in 32-bit addressing.  
 2. TP = Tuning Protected Block, only available for the M58BW032B.  
 3. OTP Block.

**M58BW032BT, M58BW032BB, M58BW032DT, M58BW032DB**

**Table 3. Bottom Boot Block Addresses, M58BW032BB, M58BW032DB**

#	Size (Kbit)	Address Range <sup>(1)</sup>	TP <sup>(2)</sup>
73	512	FC000h-FFFFFh	yes
72	512	F8000h-FBFFFh	yes
71	512	F4000h-F7FFFh	yes
70	512	F0000h-F3FFFh	yes
69	512	EC000h-EFFFFh	yes
68	512	E8000h-EBFFFh	yes
67	512	E4000h-E7FFFh	yes
66	512	E0000h-E3FFFh	yes
65	512	DC000h-DFFFFh	yes
64	512	D8000h-DBFFFh	yes
63	512	D4000h-D7FFFh	yes
62	512	D0000h-D3FFFh	yes
61	512	CC000h-CFFFFh	yes
60	512	C8000h-CBFFFh	yes
59	512	C4000h-C7FFFh	yes
58	512	C0000h-C3FFFh	yes
57	512	BC000h-BFFFFh	yes
56	512	B8000h-BBFFFh	yes
55	512	B4000h-B7FFFh	yes
54	512	B0000h-B3FFFh	yes
53	512	AC000h-AFFFFh	yes
52	512	A8000h-ABFFFh	yes
51	512	A4000h-A7FFFh	yes
50	512	A0000h-A3FFFh	yes
49	512	9C000h-9FFFFh	yes
48	512	98000h-9BFFFh	yes
47	512	94000h-97FFFh	yes
46	512	90000h-93FFFh	yes
45	512	8C000h-8FFFFh	yes
44	512	88000h-8BFFFh	yes
43	512	84000h-87FFFh	yes
42	512	80000h-83FFFh	yes
41	512	7C000h-7FFFFh	yes
40	512	78000h-7BFFFh	yes
39	512	74000h-77FFFh	yes
38	512	70000h-73FFFh	yes
37	512	6C000h-6FFFFh	yes
36	512	68000h-6BFFFh	yes

#	Size (Kbit)	Address Range <sup>(1)</sup>	TP <sup>(2)</sup>
35	512	64000h-67FFFh	yes
34	512	60000h-63FFFh	yes
33	512	5C000h-53FFFh	yes
32	512	58000h-5BFFFh	yes
31	512	54000h-57FFFh	yes
30	512	50000h-53FFFh	yes
29	512	4C000h-4FFFFh	yes
28	512	48000h-4BFFFh	yes
27	512	44000h-47FFFh	yes
26	512	40000h-43FFFh	yes
25	512	3C000h-3FFFFh	yes
24	512	38000h-3BFFFh	yes
23	512	34000h-37FFFh	yes
22	512	30000h-33FFFh	yes
21	512	2C000h-2FFFFh	yes
20	512	28000h-2BFFFh	yes
19	512	24000h-27FFFh	yes
18	512	20000h-23FFFh	yes
17	512	1C000h-1FFFFh	yes
16	512	18000h-1BFFFh	yes
15	512	14000h-17FFFh	yes
14	512	10000h-13FFFh	yes
13	512	0C000h-0FFFFh	no
12	512	08000h-0BFFFh	no
11	64	07800h-07FFFh	yes
10	64	07000h-077FFh	yes
9	64	06800h-06FFFh	yes
8	64	06000h-067FFh	yes
7	64	05800h-05FFFh	yes
6	64	05000h-057FFh	yes
5	64	04800h-04FFFh	yes
4	64	04000h-047FFh	yes
3	128	03000h-03FFFh	yes
2	128	02000h-02FFFh	yes
1	128	01000h-01FFFh <sup>(3)</sup>	yes
0	128	00000h-00FFFh	yes

Note: 1. Addresses are indicated in 32-bit Word addressing.  
 2. TP = Tuning Protected Block, only available for the M58BW032B.  
 3. OTP Block.



## SIGNAL DESCRIPTIONS

See [Figure 2., Logic Diagram](#) and [Table 1., Signal Names](#), for a brief overview of the signals connected to this device.

**Address Inputs (A0-A19).** The Address Inputs are used to select the cells to access in the memory array during Bus Read operations either to read or to program data to. During Bus Write operations they control the commands sent to the Command Interface of the internal state machine. Chip Enable must be Low when selecting the addresses.

The address inputs are latched on the rising edge of Latch Enable L or Burst Clock K, whichever occurs first, in a read operation. The address inputs are latched on the rising edge of Chip Enable, Write Enable or Latch Enable, whichever occurs first in a Write operation. The address latch is transparent when Latch Enable is Low,  $V_{IL}$ . The address is internally latched in an Erase or Program operation.

**Data Inputs/Outputs (DQ0-DQ31).** The Data Inputs/Outputs output the data stored at the selected address during a Bus Read operation, or are used to input the data during a program operation. During Bus Write operations they represent the commands sent to the Command Interface of the internal state machine. When used to input data or Write commands they are latched on the rising edge of Write Enable or Chip Enable, whichever occurs first.

When Chip Enable and Output Enable are both Low,  $V_{IL}$ , and Output Disable is at  $V_{IH}$ , the data bus outputs data from the memory array, the Electronic Signature, the Block Protection Configuration Register, the CFI Information or the contents of Burst Configuration Register or Status Register. The data bus is high impedance when the device is deselected with Chip Enable at  $V_{IH}$ , Output Enable at  $V_{IH}$ , Output Disable at  $V_{IL}$  or Reset/Power-Down at  $V_{IL}$ . The Status Register content is output on DQ0-DQ7 and DQ8-DQ31 are at  $V_{IL}$ .

**Chip Enable ( $\bar{E}$ ).** The Chip Enable,  $\bar{E}$ , input activates the memory control logic, input buffers, decoders and sense amplifiers. Chip Enable,  $\bar{E}$ , at  $V_{IH}$  deselected the memory and reduces the power consumption to the Standby level.

**Output Enable ( $\bar{G}$ ).** The Output Enable,  $\bar{G}$ , gates the outputs through the data output buffers during a read operation, when Output Disable GD is at  $V_{IH}$ . When Output Enable  $\bar{G}$  is at  $V_{IH}$ , the outputs are high impedance independently of Output Disable.

**Output Disable ( $\bar{GD}$ ).** The Output Disable,  $\bar{GD}$ , deactivates the data output buffers. When Output Disable,  $\bar{GD}$ , is at  $V_{IH}$ , the outputs are driven by the Output Enable. When Output Disable,  $\bar{GD}$ , is

at  $V_{IL}$ , the outputs are high impedance independently of Output Enable. The Output Disable pin must be connected to an external pull-up resistor as there is no internal pull-up resistor to drive the pin.

**Write Enable ( $\bar{W}$ ).** The Write Enable,  $\bar{W}$ , input controls writing to the Command Interface, Input Address and Data latches. Both addresses and data can be latched on the rising edge of Write Enable (also see Latch Enable, L).

**Reset/Power-Down (RP).** The Reset/Power-Down, RP, is used to apply a hardware reset to the memory. A hardware reset is achieved by holding Reset/Power-Down Low,  $V_{IL}$ , for at least  $t_{PLPH}$ . Writing is inhibited to protect data, the Command Interface and the Program/Erase Controller are reset. The Status Register information is cleared and power consumption is reduced to the standby level ( $I_{DD1}$ ). The device acts as deselected, that is the data outputs are high impedance.

After Reset/Power-Down goes High,  $V_{IH}$ , the memory will be ready for Bus Read operations after a delay of  $t_{PHEL}$  or Bus Write operations after  $t_{PHWL}$ .

If Reset/Power-Down goes Low,  $V_{IL}$ , during a Block Erase, a Program or a Tuning Protection Program the operation is aborted, in a time of  $t_{PLRH}$  maximum, and data is altered and may be corrupted.

During Power-up power should be applied simultaneously to  $V_{DD}$  and  $V_{DDQ(IN)}$  with RP held at  $V_{IL}$ . When the supplies are stable RP is taken to  $V_{IH}$ . Output Enable,  $\bar{G}$ , Chip Enable,  $\bar{E}$ , and Write Enable,  $\bar{W}$ , should be held at  $V_{IH}$  during power-up.

In an application, it is recommended to associate Reset/Power-Down pin, RP, with the reset signal of the microprocessor. Otherwise, if a reset operation occurs while the memory is performing an erase or program operation, the memory may output the Status Register information instead of being initialized to the default Asynchronous Random Read.

See [Table 21](#) and [Figure 17., Reset, Power-Down and Power-up AC Waveform](#), for more details.

**Program/Erase Enable ( $V_{PEN}$ ).** The Program./Erase Enable input,  $V_{PEN}$ , protects all blocks, preventing Program and Erase operations from modifying the data. Program/Erase Enable must be kept High ( $V_{IH}$ ) during all operations when the Program/Erase Controller is active, otherwise the operation is not guaranteed to succeed and data may become corrupt.

**Latch Enable (L).** The Bus Interface can be configured to latch the Address Inputs on the rising edge of Latch Enable, L, for Asynchronous Latch

Enable Controlled Read or Write or Synchronous Burst Read operations. In Synchronous Burst Read operations the address is latched on the active edge of the Clock when Latch Enable is Low,  $V_{IL}$ . Once latched, the addresses may change without affecting the address used by the memory. When Latch Enable is Low,  $V_{IL}$ , the latch is transparent. Latch Enable, L, can remain at  $V_{IL}$  for Asynchronous Random Read and Write operations.

**Burst Clock (K).** The Burst Clock, K, is used to synchronize the memory with the external bus during Synchronous Burst Read operations. Bus signals are latched on the active edge of the Clock. In Synchronous Burst Read mode the address is latched on the first rising clock edge when Latch Enable is Low,  $V_{IL}$ , or on the rising edge of Latch Enable, whichever occurs first.

During Asynchronous bus operations the Clock is not used.

**Burst Address Advance ( $\bar{B}$ ).** The Burst Address Advance,  $\bar{B}$ , controls the advancing of the address by the internal address counter during Synchronous Burst Read operations.

Burst Address Advance,  $\bar{B}$ , is only sampled on the active clock edge of the Clock when the X-latency time has expired. If Burst Address Advance is Low,  $V_{IL}$ , the internal address counter advances. If Burst Address Advance is High,  $V_{IH}$ , the internal address counter does not change; the same data remains on the Data Inputs/Outputs and Burst Address Advance is not sampled until the Y-latency expires.

The Burst Address Advance,  $\bar{B}$ , may be tied to  $V_{IL}$ .

**Valid Data Ready (R).** The Valid Data Ready output, R, can be used during Synchronous Burst Read operations to identify if the memory is ready to output data or not. The Valid Data Ready output can be configured to be active on the clock edge of the invalid data read cycle or one cycle before. Valid Data Ready, at  $V_{IH}$ , indicates that new data

is or will be available. When Valid Data Ready is Low,  $V_{IL}$ , the previous data outputs remain active.

**Write Protect (WP).** The Write Protect, WP, provides protection against program or erase operations. When Write Protect, WP, is at  $V_{IL}$ , the protection status that has been configured in the Block Protection Configuration Register is activated. Program and erase operations to protected blocks are disabled. When Write Protect WP is at  $V_{IH}$  all the blocks can be programmed or erased, if no other protection is used.

**Supply Voltage ( $V_{DD}$ ).** The Supply Voltage,  $V_{DD}$ , is the core power supply. All internal circuits draw their current from the  $V_{DD}$  pin, including the Program/Erase Controller.

**Output Supply Voltage ( $V_{DDQ}$ ).** The Output Supply Voltage,  $V_{DDQ}$ , is the output buffer power supply for all operations (Read, Program and Erase) used for DQ0-DQ31 when used as outputs.

**Input Supply Voltage ( $V_{DDQIN}$ ).** The Input Supply Voltage,  $V_{DDQIN}$ , is the power supply for all input signal. Input signals are: K, B, L, W, GD, G, E, A0-A18 and D0-D31, when used as inputs.

**Ground ( $V_{SS}$  and  $V_{SSQ}$ ).** The Ground  $V_{SS}$  is the reference for the internal supply voltage  $V_{DD}$ . The Ground  $V_{SSQ}$  is the reference for the output and input supplies  $V_{DDQ}$ , and  $V_{DDQIN}$ . It is essential to connect  $V_{SS}$  and  $V_{SSQ}$  together.

**Note: A 0.1 $\mu$ F capacitor should be connected between the Supply Voltages,  $V_{DD}$ ,  $V_{DDQ}$  and  $V_{DDQIN}$  and the Grounds,  $V_{SS}$  and  $V_{SSQ}$  to decouple the current surges from the power supply. The PCB track widths must be sufficient to carry the currents required during all operations of the parts, see Table 15., DC Characteristics, for maximum current supply requirements.**

**Don't Use (DU).** This pin should not be used as it is internally connected. Its voltage level can be between  $V_{SS}$  and  $V_{DDQ}$  or leave it unconnected.

**Not Connected (NC).** This pin is not physically connected to the device.

## BUS OPERATIONS

Each bus operations that controls the memory is described in this section, see Tables 4 and 5 Bus Operations, for a summary. The bus operation is selected through the Burst Configuration Register; the bits in this register are described at the end of this section.

On Power-up or after a Hardware Reset the memory defaults to Asynchronous Bus Read and Asynchronous Bus Write. No synchronous operation can be performed until the Burst Control Register has been configured.

The Electronic Signature, Block Protection Configuration, CFI or Status Register will be read in asynchronous mode regardless of the Burst Control Register settings.

Typically glitches of less than 5ns on Chip Enable or Write Enable are ignored by the memory and do not affect bus operations.

### Asynchronous Bus Operations

For asynchronous bus operations refer to Table 4 together with the following text.

**Asynchronous Bus Read.** Asynchronous Bus Read operations read from the memory cells, or specific registers (Electronic Signature, Block Protection Configuration Register, Status Register, CFI and Burst Configuration Register) in the Command Interface. A valid bus operation involves setting the desired address on the Address Inputs, applying a Low signal,  $V_{IL}$ , to Chip Enable and Output Enable and keeping Write Enable and Output Disable High,  $V_{IH}$ . The Data Inputs/Outputs will output the value, see Figure 8., [Asynchronous Bus Read AC Waveforms](#), and Table 16., [Asynchronous Bus Read AC Characteristics](#), for details of when the output becomes valid.

Asynchronous Read is the default read mode which the device enters on power-up or on return from Reset/Power-Down.

### Asynchronous Latch Controlled Bus Read.

Asynchronous Latch Controlled Bus Read operations read from the memory cells or specific registers in the Command Interface. The address is latched in the memory before the value is output on the data bus, allowing the address to change during the cycle without affecting the address that the memory uses.

A valid bus operation involves setting the desired address on the Address Inputs, setting Chip Enable and Latch Enable Low,  $V_{IL}$  and keeping Write Enable High,  $V_{IH}$ ; the address is latched on the rising edge of Latch Enable. Once latched, the Address Inputs can change. Set Output Enable Low,  $V_{IL}$ , to read the data on the Data Inputs/Outputs;

see Figure 9., [Asynchronous Latch Controlled Bus Read AC Waveforms](#) and Table 17., [Asynchronous Latch Controlled Bus Read AC Characteristics](#), for details on when the output becomes valid.

Note that, since the Latch Enable input is transparent when set Low,  $V_{IL}$ , Asynchronous Bus Read operations can be performed when the memory is configured for Asynchronous Latch Enable bus operations by holding Latch Enable Low,  $V_{IL}$  throughout the bus operation.

**Asynchronous Page Read.** Asynchronous Page Read operations are used to read from several addresses within the same memory page. Each memory page is 4 Double-Words and is addressed by the address inputs A0 and A1.

Data is read internally and stored in the Page Buffer. Valid bus operations are the same as Asynchronous Bus Read operations but with different timings. The first read operation within the page has identical timings, subsequent reads within the same page have much shorter access times. If the page changes then the normal, longer timings apply again. Page Read does not support Latched Controlled Read.

See Figure 10., [Asynchronous Page Read AC Waveforms](#), and Table 18., [Asynchronous Page Read AC Characteristics](#), for details on when the outputs become valid.

**Asynchronous Bus Write.** Asynchronous Bus Write operations write to the Command Interface in order to send commands to the memory or to latch addresses and input data to program. Bus Write operations are asynchronous, the clock,  $K$ , is don't care during Bus Write operations.

A valid Asynchronous Bus Write operation begins by setting the desired address on the Address Inputs, and setting Chip Enable, Write Enable and Latch Enable Low,  $V_{IL}$ , and Output Enable High,  $V_{IH}$ , or Output Disable Low,  $V_{IL}$ . The Address Inputs are latched by the Command Interface on the rising edge of Chip Enable or Write Enable, whichever occurs first. Commands and Input Data are latched on the rising edge of Chip Enable,  $\bar{E}$ , or Write Enable,  $W$ , whichever occurs first. Output Enable must remain High, and Output Disable Low, during the whole Asynchronous Bus Write operation.

See Figure 11., [Asynchronous Write AC Waveform](#), and [Asynchronous Write and Latch Controlled Write AC Characteristics](#), for details of the timing requirements.



**Asynchronous Latch Controlled Bus Write.**

Asynchronous Latch Controlled Bus Write operations write to the Command Interface in order to send commands to the memory or to latch addresses and input data to program. Bus Write operations are asynchronous, the clock, K, is don't care during Bus Write operations.

A valid Asynchronous Latch Controlled Bus Write operation begins by setting the desired address on the Address Inputs and pulsing Latch Enable Low,  $\overline{V_{IL}}$ . The Address Inputs are latched by the Command Interface on the rising edge of Latch Enable, Write Enable or Chip Enable, whichever occurs first. Commands and Input Data are latched on the rising edge of Chip Enable, E, or Write Enable, W, whichever occurs first. Output Enable must remain High, and Output Disable Low, during the whole Asynchronous Bus Write operation.

See Figure 12., Asynchronous Latch Controlled Write AC Waveform, and Table 19., Asynchronous Write and Latch Controlled Write AC Characteristics, for details of the timing requirements.

**Output Disable.** The data outputs are high impedance when the Output Enable, G, is at  $V_{IH}$  or Output Disable,  $\overline{GD}$ , is at  $V_{IL}$ .

**Standby.** When Chip Enable is High,  $V_{IH}$ , and the Program/Erase Controller is idle, the memory enters Standby mode, the power consumption is reduced to the standby level ( $I_{DD1}$ ) and the Data Inputs/Outputs pins are placed in the high impedance state regardless of Output Enable, Write Enable or Output Disable inputs.

The Standby mode can be disabled by setting the Standby Disable bit (M14) of the Burst Configuration Register to '1' (see Table 15., DC Characteristics).

**Reset/Power-Down.** The memory is in Reset/Power-Down mode when Reset/Power-Down, RP, is at  $V_{IL}$ . The power consumption is reduced to the standby level ( $I_{DD1}$ ) and the outputs are high impedance, independent of the Chip Enable, E, Output Enable, G, Output Disable, GD, or Write Enable, W, inputs. In this mode the device is write protected and both the Status and the Burst Configuration Registers are cleared. A recovery time is required when the RP input goes High.

**Table 4. Asynchronous Bus Operations**

Bus Operation	Step	$\overline{E}$	$\overline{G}$	$\overline{GD}$	$\overline{W}$	$\overline{RP}$	$\overline{L}$	A0-A19	DQ0-DQ31
Asynchronous Bus Read <sup>(2)</sup>		$V_{IL}$	$V_{IL}$	$V_{IH}$	$V_{IH}$	$V_{IH}$	$V_{IL}$	Address	Data Output
Asynchronous Latch Controlled Bus Read	Address Latch	$V_{IL}$	$V_{IH}$	$V_{IH}$	$V_{IL}$	$V_{IH}$	$V_{IL}$	Address	High Z
	Read	$V_{IL}$	$V_{IL}$	$V_{IH}$	$V_{IH}$	$V_{IH}$	$V_{IH}$	X	Data Output
Asynchronous Page Read		$V_{IL}$	$V_{IL}$	$V_{IH}$	$V_{IH}$	$V_{IH}$	X	Address	Data Output
Asynchronous Bus Write		$V_{IL}$	$V_{IH}$	X	$V_{IL}$	$V_{IH}$	$V_{IL}$	Address	Data Input
Asynchronous Latch Controlled Bus Write	Address Latch	$V_{IL}$	$V_{IH}$	X	$V_{IH}$	$V_{IH}$	$V_{IL}$	Address	High Z
	Write	$V_{IL}$	$V_{IH}$	X	$V_{IL}$	$V_{IH}$	$V_{IH}$	X	Data Input
Output Disable, $\overline{G}$		$V_{IL}$	$V_{IH}$	$V_{IH}$	$V_{IH}$	$V_{IH}$	X	X	High Z
Output Disable, $\overline{GD}$		$V_{IL}$	$V_{IL}$	$V_{IL}$	$V_{IH}$	$V_{IH}$	X	X	High Z
Standby		$V_{IH}$	X	X	X	$V_{IH}$	X	X	High Z
Reset/Power-Down		X	X	X	X	$V_{IL}$	X	X	High Z

Note: 1. X = Don't Care

2. Data, Manufacturer Code, Device Code, Burst Configuration Register, Standby Status and Block Protection Configuration Register are read using the Asynchronous Bus Read command.



## Synchronous Bus Operations

For synchronous bus operations refer to Table 5 together with the following text.

**Synchronous Burst Read.** Synchronous Burst Read operations are used to read from the memory at specific times synchronized to an external reference clock. The valid edge of the Clock signal is the rising edge. The burst type, length and latency can be configured. The different configurations for Synchronous Burst Read operations are described in the Burst Configuration Register section. Refer to Figure 5 for examples of synchronous burst operations.

In continuous burst read, one burst read operation can access the entire memory sequentially by keeping the Burst Address Advance B at  $V_{IL}$  for the appropriate number of clock cycles. At the end of the memory address space the burst read restarts from the beginning at address 000000h.

A valid Synchronous Burst Read operation begins when the Burst Clock is active and Chip Enable and Latch Enable are Low,  $V_{IL}$ . The burst start address is latched and loaded into the internal Burst Address Counter on the valid Burst Clock K edge or on the rising edge of Latch Enable, whichever occurs first.

After an initial memory latency time, the memory outputs data each clock cycle (or two clock cycles depending on the value of M9). The Burst Address Advance B input controls the memory burst output. The second burst output is on the next clock valid edge after the Burst Address Advance B has been pulled Low.

Valid Data Ready, R, monitors if the memory burst boundary is exceeded and the Burst Controller of the microprocessor needs to insert wait states.

When Valid Data Ready is Low on the rising clock edge, no new data is available and the memory does not increment the internal address counter at the active clock edge even if Burst Address Advance,  $\bar{B}$ , is Low.

Valid Data Ready may be configured (by bit M8 of Burst Configuration Register) to be valid immediately at the rising clock edge or one data cycle before the rising clock edge.

Synchronous Burst Read will be suspended if Burst Address Advance, B, goes High,  $V_{IH}$ .

If Output Enable is at  $V_{IL}$  and Output Disable is at  $V_{IH}$ , the last data is still valid.

If Output Enable,  $\bar{G}$ , is at  $V_{IH}$  or Output Disable, GD, is at  $V_{IL}$ , but the Burst Address Advance, B, is at  $V_{IL}$  the internal Burst Address Counter is incremented at each Burst Clock K rising edge.

The Synchronous Burst Read timing diagrams and AC Characteristics are described in the AC and DC Parameters section. See Figures 13, 14, 15 and 16, and Table 20.

**Synchronous Burst Read Suspend.** During a Synchronous Burst Read operation it is possible to suspend the operation, freeing the data bus for other higher priority devices.

A valid Synchronous Burst Read operation is suspended when both Output Enable and Burst Address Advance are High,  $V_{IH}$ . The Burst Address Advance going High,  $V_{IH}$ , stops the burst counter and the Output Enable going High,  $V_{IH}$ , inhibits the data outputs. The Synchronous Burst Read operation can be resumed by setting Output Enable Low.

**Table 5. Synchronous Burst Read Bus Operations**

Bus Operation	Step	$\bar{E}$	$\bar{G}$	$\overline{GD}$	$\overline{RP}$	K	$\bar{L}$	$\bar{B}$	A0-A19 DQ0-DQ31
Synchronous Burst Read <sup>(2)</sup>	Address Latch	$V_{IL}$	$V_{IH}$	X	$V_{IH}$	R <sup>(3)</sup>	$V_{IL}$	X	Address Input
	Read	$V_{IL}$	$V_{IL}$	$V_{IH}$	$V_{IH}$	R <sup>(3)</sup>	$V_{IH}$	$V_{IL}$	Data Output
	Read Suspend	$V_{IL}$	$V_{IH}$	X	$V_{IH}$	X	$V_{IH}$	$V_{IH}$	High Z
	Read Resume	$V_{IL}$	$V_{IL}$	$V_{IH}$	$V_{IH}$	R <sup>(3)</sup>	$V_{IH}$	$V_{IL}$	Data Output
	Burst Address Advance	$V_{IL}$	$V_{IH}$	X	$V_{IH}$	R <sup>(3)</sup>	$V_{IH}$	$V_{IL}$	High Z
	Read Abort, $\bar{E}$	$V_{IH}$	X	X	$V_{IH}$	X	X	X	High Z
	Read Abort, $\overline{RP}$	X	X	X	$V_{IL}$	X	X	X	High Z

Note: 1. X = Don't Care,  $V_{IL}$  or  $V_{IH}$ .

2. M15 = 0, Bit M15 is in the Burst Configuration Register.

3. R= Rising Edge.

**Burst Configuration Register**

The Burst Configuration Register is used to configure the type of bus access that the memory will perform.

The Burst Configuration Register is set through the Command Interface and will retain its information until it is re-configured, the device is reset, or the device goes into Reset/Power-Down mode. The Burst Configuration Register bits are described in Table 6. They specify the selection of the burst length, burst type, burst X and Y latencies and the Read operation. Refer to Figure 5 for examples of synchronous burst configurations.

**Read Select Bit (M15).** The Read Select bit, M15, is used to switch between asynchronous and synchronous Bus Read operations. When the Read Select bit is set to '1', Bus Read operations are asynchronous; when the Read Select bit is set to '0', Bus Read operations are synchronous.

On reset or power-up the Read Select bit is set to '1' for asynchronous accesses.

**Standby Disable Bit (M14).** The Standby Disable Bit, M14, is used to disable the Standby mode. When the Standby bit is '1', the device will not enter Standby mode when Chip Enable goes High,  $V_{IH}$ .

**X-Latency Bits (M13-M11).** The X-Latency bits are used during Synchronous Bus Read operations to set the number of clock cycles between the address being latched and the first data becoming available. For correct operation the X-Latency bits can only assume the values in Table 6., [Burst Configuration Register](#). The X-Latency bits should also be selected in accordance with [Note: 1.](#) below Table 6., [Burst Configuration Register](#).

**Y-Latency Bit (M9).** The Y-Latency bit is used during Synchronous Bus Read operations to set the number of clock cycles between consecutive reads. The Y-Latency value depends on both the X-Latency value and the setting in M9.

When the Y-Latency is 1 the data changes each clock cycle; when the Y-Latency is 2 the data changes every second clock cycle. See [Table](#)

[6.](#), [Burst Configuration Register](#) and [Note 2.](#) for valid combinations of the Y-Latency, the X-Latency and the Clock frequency.

**Valid Data Ready Bit (M8).** The Valid Data Ready bit controls the timing of the Valid Data Ready output pin, R. When the Valid Data Ready bit is '0' the Valid Data Ready output pin is driven Low for the rising clock edge when invalid data is output on the bus. When the Valid Data Ready bit is '1' the Valid Data Ready output pin is driven Low one clock cycle prior to invalid data being output on the bus.

**Wrap Burst Bit (M3).** The burst reads can be confined inside the 4 or 8 Word boundary (wrap) or overcome the boundary (no wrap). The Wrap Burst bit is used to select between wrap and no wrap. When the Wrap Burst bit is set to '0' the burst read wraps; when it is set to '1' the burst read does not wrap.

**Burst Length Bit (M2-M0).** The Burst Length bits set the maximum number of Double-Words that can be output during a Synchronous Burst Read operation before the address wraps. Burst lengths of 4 or 8 and continuous burst are available.

[Table 6.](#), [Burst Configuration Register](#) gives the valid combinations of the Burst Length bits that the memory accepts; [Table 7.](#), [Burst Type Definition](#), gives the sequence of addresses output from a given starting address for each length.

If either a Continuous or a No Wrap Burst Read has been initiated the device will output data synchronously. Depending on the starting address, the device activates the Valid Data Ready output to indicate that a delay is necessary before the data is output. If the starting address is aligned to a 4 Double Word boundary, the continuous burst mode will run without activating the Valid Data Ready output. If the starting address is not aligned to a 4 Double Word boundary, Valid Data Ready is activated to indicate that the device needs an internal delay to read the successive words in the array.

**M10, M7 to M4** are reserved for future use.

**Table 6. Burst Configuration Register**

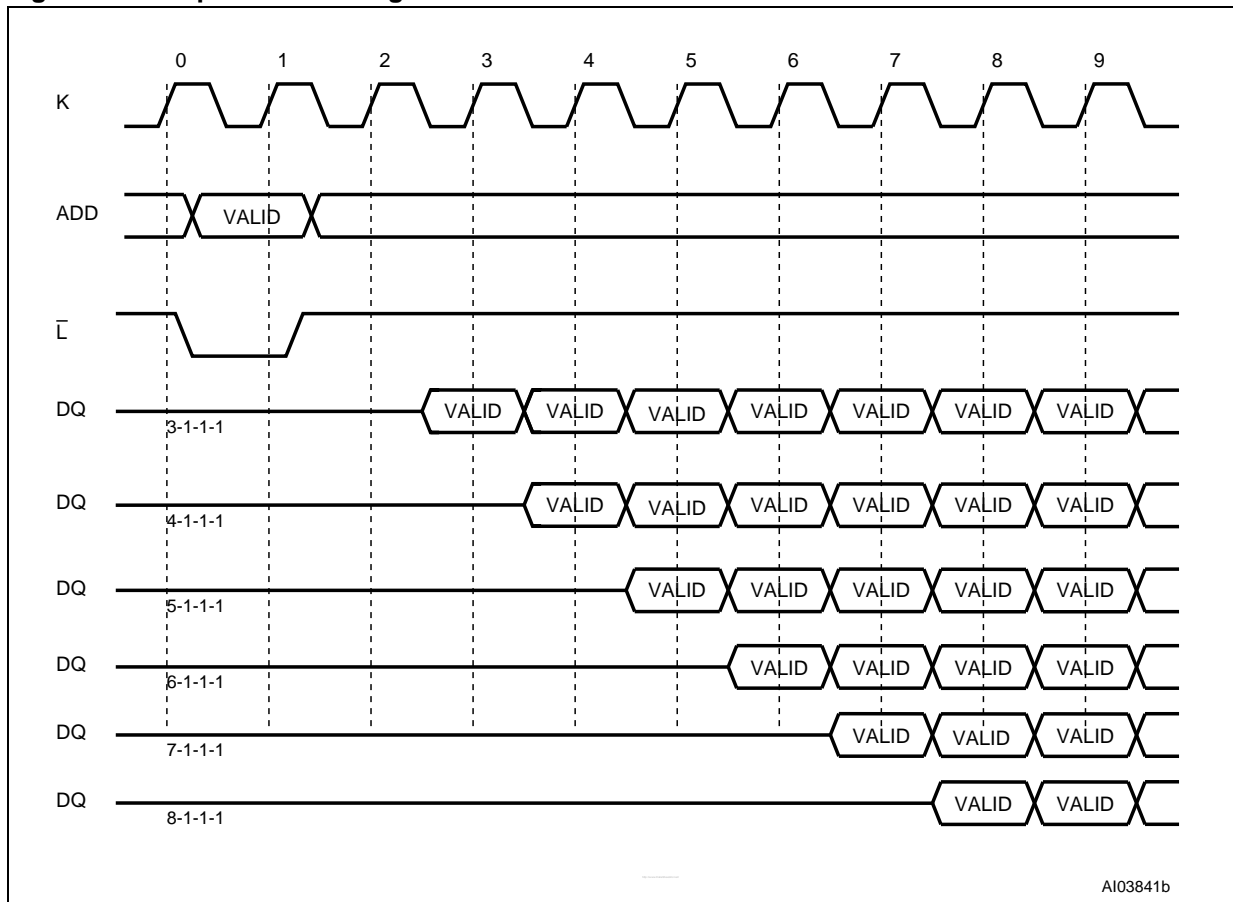
Bit	Description	Value	Description
M15	Read Select	0	Synchronous Burst Read
		1	Asynchronous Read (Default at power-up)
M14	Standby Disable	0	Standby Mode Enabled (Default at power-up)
		1	Standby Mode Disabled
M13-M11	X-Latency <sup>(1)</sup>	001	3
		010	4
		011	5
		100	6
		101	7
		110	8
M10	Reserved		
M9	Y-Latency <sup>(2)</sup>	0	One Burst Clock cycle
		1	Two Burst Clock cycles
M8	Valid Data Ready	0	R valid Low during valid Burst Clock edge
		1	R valid Low one data cycle before valid Burst Clock edge
M7-M4	Reserved		
M3	Wrapping	0	Wrap
		1	No Wrap
M2-M0	Burst Length	001	4 Double-Words
		010	8 Double-Words
		111	Continuous

Note: 1. X latencies can be calculated as:  $(t_{AVQV} - t_{LLKH} + t_{KHQV}) + t_{SYSTEM\ MARGIN} < (X - 1) t_K$ . (X is an integer number from 4 to 8 and  $t_K$  is the clock period), where  $t_{LLKH}$  is the value given by the master microcontroller timing specifications.  
 2. Y latencies can be calculated as:  $t_{KHQV} + t_{SYSTEM\ MARGIN} + t_{KHQV} < Y t_K$ .  
 3.  $t_{SYSTEM\ MARGIN}$  is the time margin required for the calculation.

Table 7. Burst Type Definition

M 3	Starting Address	x4 Sequential	x8 Sequential	Continuous
0	0	0-1-2-3	0-1-2-3-4-5-6-7	0-1-2-3-4-5-6-7-8-9-10..
0	1	1-2-3-0	1-2-3-4-5-6-7-0	1-2-3-4-5-6-7-8-9-10-11..
0	2	2-3-0-1	2-3-4-5-6-7-0-1	2-3-4-5-6-7-8-9-10-11-12..
0	3	3-0-1-2	3-4-5-6-7-0-1-2	3-4-5-6-7-8-9-10-11-12-13..
0	4	–	4-5-6-7-0-1-2-3	4-5-6-7-8-9-10-11-12-13-14..
0	5	–	5-6-7-0-1-2-3-4	5-6-7-8-9-10-11-12-13-14..
0	6	–	6-7-0-1-2-3-4-5	6-7-8-9-10-11-12-13-14-15..
0	7	–	7-0-1-2-3-4-5-6	7-8-9-10-11-12-13-14-15-16..
0	8	–	–	8-9-10-11-12-13-14-15-16-17..
1	0	0-1-2-3	0-1-2-3-4-5-6-7	0-1-2-3-4-5-6-7-8-9-10..
1	1	1-2-3-4	1-2-3-4-5-6-7-8	1-2-3-4-5-6-7-8-9-10-11..
1	2	2-3-4-5	2-3-4-5-6-7-8-9	2-3-4-5-6-7-8-9-10-11-12..
1	3	3-4-5-6	3-4-5-6-7-8-9-10	3-4-5-6-7-8-9-10-11-12-13..
1	4	4-5-6-7	4-5-6-7-8-9-10-11	4-5-6-7-8-9-10-11-12-13-14..
1	5	5-6-7-8	5-6-7-8-9-10-11-12	5-6-7-8-9-10-11-12-13-14..
1	6	6-7-8-9	6-7-8-9-10-11-12-13	6-7-8-9-10-11-12-13-14-15..
1	7	7-8-9-10	7-8-9-10-11-12-13-14	7-8-9-10-11-12-13-14-15-16..
1	8	8-9-10-11	8-9-10-11-12-13-14-15	8-9-10-11-12-13-14-15-16-17..

Figure 5. Example Burst Configuration X-1-1-1



## COMMAND INTERFACE

All Bus Write operations to the memory are interpreted by the Command Interface. Commands consist of one or more sequential Bus Write operations. The Commands are summarized in [Table 8., Commands](#). Refer to [Table 8](#) in conjunction with the text descriptions below.

### Read Memory Array Command

The Read Memory Array command returns the memory to Read mode. One Bus Write cycle is required to issue the Read Memory Array command and return the memory to Read mode. Subsequent read operations will output the addressed memory array data. Once the command is issued the memory remains in Read mode until another command is issued. From Read mode Bus Read commands will access the memory array.

### Read Electronic Signature Command

The Read Electronic Signature command is used to read the Manufacturer Code, the Device Code, the Block Protection Configuration Register and the Burst Configuration Register. One Bus Write cycle is required to issue the Read Electronic Signature command. Once the command is issued, subsequent Bus Read operations, depending on the address specified, read the Manufacturer Code, the Device Code, the Block Protection Configuration or the Burst Configuration Register until another command is issued; see [Table 9., Read Electronic Signature](#).

### Read Query Command

The Read Query Command is used to read data from the Common Flash Interface (CFI) Memory Area. One Bus Write cycle is required to issue the Read Query Command. Once the command is issued subsequent Bus Read operations, depending on the address specified, read from the Common Flash Interface Memory Area.

### Read Status Register Command

The Read Status Register command is used to read the Status Register. One Bus Write cycle is required to issue the Read Status Register command. Once the command is issued subsequent Bus Read operations read the Status Register until another command is issued.

The Status Register information is present on the output data bus (DQ0-DQ7) when Chip Enable  $\bar{E}$  and Output Enable  $\bar{G}$  are at  $V_{IL}$  and Output Disable is at  $V_{IH}$ .

An interactive update of the Status Register bits is possible by toggling Output Enable or Output Disable. It is also possible during a Program or Erase operation, by deactivating the device with Chip Enable at  $V_{IH}$  and then reactivating it with Chip Enable and Output Enable at  $V_{IL}$  and Output Disable at  $V_{IH}$ .

The content of the Status Register may also be read at the completion of a Program, Erase or Suspend operation. During a Block Erase, Program, Tuning Protection Program or Tuning Protection Unlock command, DQ7 indicates the Program/Erase Controller status. It is valid until the operation is completed or suspended.

See the section on the Status Register and [Table 11](#) for details on the definitions of the Status Register bits.

### Clear Status Register Command

The Clear Status Register command can be used to reset bits 1, 3, 4 and 5 in the Status Register to '0'. One Bus Write is required to issue the Clear Status Register command. Once the command is issued the memory returns to its previous mode, subsequent Bus Read operations continue to output the same data.

The bits in the Status Register are sticky and do not automatically return to '0' when a new Program, Erase, Block Protect or Block Unprotect command is issued. If any error occurs then it is essential to clear any error bits in the Status Register by issuing the Clear Status Register command before attempting a new Program, Erase or Resume command.

### Block Erase Command

The Block Erase command can be used to erase a block. It sets all of the bits in the block to '1'. All previous data in the block is lost. If the block is protected then the Erase operation will abort, the data in the block will not be changed and the Status Register will output the error.

Two Bus Write operations are required to issue the command; the first write cycle sets up the Block Erase command, the second write cycle confirms the Block erase command and latches the block address in the internal state machine and starts the Program/Erase Controller. The sequence is aborted if the Confirm command is not given and the device will output the Status Register Data with bits 4 and 5 set to '1'.

Once the command is issued subsequent Bus Read operations read the Status Register. See the section on the Status Register for details on the definitions of the Status Register bits. During the Erase operation the memory will only accept the Read Status Register command and the Program/Erase Suspend command. All other commands will be ignored.

The command can be executed using  $V_{DD}$ . If  $V_{PEN}$  is at  $V_{IH}$ , the operation can be performed. If  $V_{PEN}$  goes below  $V_{IH}$ , the operation aborts, the  $V_{PEN}$  Status bit in the Status Register is set to '1' and the command must be re-issued.

Typical Erase times are given in Table 10.

See Appendix A, Figure 22., Block Erase Flowchart and Pseudo Code, for a suggested flowchart on using the Block Erase command.

#### Erase All Main Blocks Command

The Erase All Main Blocks command is used to erase all 63 Main Blocks, without affecting the Parameter Blocks.

Issuing the Erase All Main Blocks command sets every bit in each Main Block to '1'. All data previously stored in the Main Blocks are lost.

Two Bus Write cycles are required to issue the Erase All Main Blocks command. The first cycle sets up the command, the second cycle confirms the command and starts the Program/Erase Controller. If the Confirm Command is not given the sequence is aborted, and Status Register bits 4 and 5 are set to '1'.

If the address given in the second cycle is located in a protected block, the Erase All Main Blocks operation aborts. The data remains unchanged in all blocks and the Status Register outputs the error.

Once the Erase All Main Blocks command has been issued, subsequent Bus Read operations output the Status Register. See the STATUS REGISTER section for details.

During an Erase All Main Blocks operation, only the Read Status Register command is accepted by the memory; any other command are ignored. Erase All Main Blocks, once started, cannot be suspended.

The Erase All Main Blocks command can be executed using  $V_{DD}$ . If  $V_{PEN}$  is at  $V_{IH}$ , the operation will be performed. If  $V_{PEN}$  is lower than  $V_{IH}$  the operation aborts and the Status Register  $V_{PEN}$  bit (bit 3) is set to '1'.

#### Program Command

The Program command is used to program the memory array. Two Bus Write operations are required to issue the command; the first write cycle sets up the Program command, the second write cycle latches the address and data to be programmed and starts the Program/Erase Controller. A program operation can be aborted by writing FFFFFFFFh to any address after the program set-up command has been given.

The Program command is also used to program the OTP block. Refer to Table 8., Commands, for details of the address.

Once the command is issued subsequent Bus Read operations read the Status Register. See the section on the Status Register for details on the definitions of the Status Register bits. During the Program operation the memory will only accept the Read Status Register command and the Pro-

gram/Erase Suspend command. All other commands will be ignored.

If Reset/Power-down,  $\overline{RP}$ , falls to  $V_{IL}$  during programming the operation will be aborted.

The command can be executed using  $V_{DD}$ . If  $V_{PEN}$  is at  $V_{IH}$ , the operation can be performed. If  $V_{PEN}$  goes below  $V_{IH}$ , the operation aborts, the  $V_{PEN}$  Status bit in the Status Register is set to '1' and the command must be re-issued.

See Appendix A, Figure 20., Program Flowchart and Pseudo Code, for a suggested flowchart on using the Program command.

#### Write to Buffer and Program Command

The Write to Buffer and Program Command makes use of the device's double Word (32 bit) Write Buffer to speed up programming.

Up to eight Double Words can be loaded into the Write Buffer and programmed into the memory.

Four successive steps are required to issue the command.

1. One Bus Write operation is required to set up the Write to Buffer and Program Command. Any Bus Read operations will start to output the Status Register after the 1st cycle.
2. Use one Bus Write operation to write the selected memory Block Address (any address in the block where the values will be programmed can be used) along with the value N on the Data Inputs/Outputs, where N+1 is the number of Words to be programmed. The maximum value of N+1 is 8 Words.
3. Use N+1 Bus Write operations to load the address and data for each Word into the Write Buffer. The address must be between Start Address and Start Address plus N, where Start Address is the first word address.
4. Finally, use one Bus Write operation to issue the final cycle to confirm the command and start the Program operation.

If any address is outside the block boundaries or if the correct sequence is not followed, Status Register bits 4 and 5 are set to '1' and the operation will abort without affecting the data in the memory array. A protected block must be unprotected using the Blocks Unprotect command.

During a Write to Buffer and Program operation the memory will only accept the Read Status Register and the Program/Erase Suspend commands. All other commands are ignored. The Write to Buffer and Program command can be executed using  $V_{DD}$ . If  $V_{PEN}$  is at  $V_{IH}$ , the operation will be performed. If  $V_{PEN}$  is lower than  $V_{IH}$  the operation aborts and the Status Register  $V_{PEN}$  bit (bit 3) is set to '1'.



The Status Register should be cleared before re-issuing the command.

#### **Program/Erase Suspend Command**

The Program/Erase Suspend command is used to pause a Program or Erase operation. The command will only be accepted during a Program or Erase operation. It can be issued at any time during a program or erase operation. The command is ignored if the device is already in suspend mode.

One Bus Write cycle is required to issue the Program/Erase Suspend command and pause the Program/Erase Controller. Once the command is issued it is necessary to poll the Program/Erase Controller Status bit (bit 7) to find out when the Program/Erase Controller has paused; no other commands will be accepted until the Program/Erase Controller has paused. After the Program/Erase Controller has paused, the memory will continue to output the Status Register until another command is issued.

During the polling period between issuing the Program/Erase Suspend command and the Program/Erase Controller pausing it is possible for the operation to complete. Once the Program/Erase Controller Status bit (bit 7) indicates that the Program/Erase Controller is no longer active, the Program Suspend Status bit (bit 2) or the Erase Suspend Status bit (bit 6) can be used to determine if the operation has completed or is suspended. For timing on the delay between issuing the Program/Erase Suspend command and the Program/Erase Controller pausing see Table 10.

During Program/Erase Suspend the Read Memory Array, Read Status Register, Read Electronic Signature, Read Query and Program/Erase Resume commands will be accepted by the Command Interface. Additionally, if the suspended operation was Erase then the Program, the Write to Buffer and Program, the Set/Clear Block Protection Configuration Register and the Program Suspend commands will also be accepted. When a program operation is completed inside a Block Erase Suspend the Read Memory Array command must be issued to reset the device in Read mode, then the Erase Resume command can be issued to complete the whole sequence. Only the blocks not being erased may be read or programmed correctly.

See Appendix A, Figure 21., Program Suspend & Resume Flowchart and Pseudo Code, and Figure 23., Erase Suspend & Resume Flowchart and Pseudo Code, for suggested flowcharts on using the Program/Erase Suspend command.

#### **Program/Erase Resume Command**

The Program/Erase Resume command can be used to restart the Program/Erase Controller after

a Program/Erase Suspend operation has paused it. One Bus Write cycle is required to issue the Program/Erase Resume command.

See Appendix A, Figure 21., Program Suspend & Resume Flowchart and Pseudo Code, and Figure 23., Erase Suspend & Resume Flowchart and Pseudo Code, for suggested flowcharts on using the Program/Erase Suspend command.

#### **Set Burst Configuration Register Command.**

The Set Burst Configuration Register command is used to write a new value to the Burst Configuration Register which defines the burst length, type, X and Y latencies, Synchronous/Asynchronous Read mode.

Two Bus Write cycles are required to issue the Set Burst Configuration Register command. The first cycle writes the setup command. The second cycle writes the address where the new Burst Configuration Register content is to be written, and confirms the command. If the command is not confirmed, the sequence is aborted and the device outputs the Status Register with bits 4 and 5 set to '1'. Once the command is issued the memory returns to Read mode as if a Read Memory Array command had been issued.

The value for the Burst Configuration Register is always presented on A0-A15. M0 is on A0, M1 on A1, etc.; the other address bits are ignored.

#### **Tuning Protection Unlock Command**

The Tuning Protection Unlock command unlocks the tuning protected blocks by writing the 64bit Tuning Protection Code (M58BW032B only). After a reset or power-up the blocks are locked and so a Tuning Protection Unlock command must be issued to allow program or erase operations on tuning protected block or to program a new Tuning Protection Code. Read operations output the Status Register content after the unlock operation has started.

The Tuning Protection Code is composed of 64 bits, but the data bus is 32 bits wide so four (2 x 2) write cycles are required to unlock the device.

- The first write cycle issues the Tuning Protection Unlock Setup command (78h).
- The second write cycle inputs the first 32 bits of the tuning protection code on the data bus, at address 00000h.

Bit 7 of the Status Register should now be checked to verify that the device has successfully stored the first part of the code in the internal register. If b7 = '1', the device is ready to accept the second part of the code. This does not mean that the first 32 bits match the tuning protection code, simply that it was correctly stored for the comparing. If b7 = '0', the user must wait for this bit setting (refer to write cycle AC timings).



- The third write cycle re-issues the Tuning Protection Unlock Setup command (78h).
- The fourth write cycle inputs the second 32 bits of the code at address 00001h.

Bit 7 of the Status Register should again be checked to verify that the device has successfully stored the second part of the code. When the device is ready (b7 = '1'), the tuning protection status can be monitored on Status Register bit0. If b0 = '0' the device is locked; b0 = '1' the device is unlocked. If the device is still locked a Read Memory Array command must be issued before re-issuing the Tuning Protection Unlock command.

Device locked means that the 64 bit password is wrong. If the unlock operation is attempted using a wrong code on an already unlocked device, the device becomes locked. Status register bit 4 is set to '1' if there has been a verify failure.

Tuning Protection Unlock command aborts if  $V_{PEN}$  drops below  $V_{IH}$  or RP goes to  $V_{IL}$ .

Once the device is successfully unlocked, a Read Memory Array command must be issued to return the memory to read mode before issuing any other commands. The user can then program or erase all blocks, depending on WP and  $V_{PEN}$  status and on the protection status of each block. At this point, it is also possible to configure a new protection code. To write a new protection code into the device tuning register, the user must perform the Tuning Protection Program sequence. The device can be re-locked with a reset or power-down.

See Appendix A, Figure 24, 25 and 26 for suggested flowcharts for using the Tuning Protection Unlock command.

#### Tuning Protection Program Command.

The Tuning Protection Program command is used to program a new Tuning Protection Code which can be configured by the designer of the application (M58BW032B only). The device should be unlocked by the Tuning Protection Unlock command before issuing the Tuning Protection Program command.

Read operations output the Status Register content after the program operation has started.

The Tuning Protection Code is composed of 64 bits, but the data bus is 32 bits wide so four (2 x 2) write cycles are required to program the code.

- The first write cycle issues the Tuning Protection Program Setup command (48h).
- The second write cycle inputs the first 32 bits of the new tuning protection code on the data bus, at address 00000h.

Bit 7 of the Status Register should now be checked to verify that the device has successfully stored the first part of the code in the internal register. If b7 = '1', the device is ready to accept the

second part of the code. If b7 = '0', the user must wait for this bit setting (refer to write cycle AC timings).

- The third write cycle re-issues the Tuning Protection Program Setup command (48h).
- The fourth write cycle inputs the second 32 bits of the new code at address 00001h.

Bit 7 of the Status Register should again be checked to verify that the device has successfully stored the second part of the code. When the device is ready (b7 = '1'). After completion Status Register bit 4 is set to '1' if there has been a program failure.

Programming aborts if  $V_{PEN}$  drops below  $V_{IH}$  or RP goes to  $V_{IL}$ .

A Read Memory Array command must be issued to return the memory to read mode before issuing any other commands. Once the code has been changed a device reset or power-down will make the protection active with the new code.

See Appendix A, Figure 24, 25 and 26 for suggested flowcharts for using the Tuning Protection Program command.

#### Set Block Protection Configuration Register Command

The Set Block Protection Configuration Register command is used to configure the Block Protection Configuration Register to 'Protected', for a specific block. Protected blocks are fully protected from program or erase when WP pin is Low,  $V_{IL}$ . The status of a protected block can be changed to 'Unprotected' by using the Clear Block Protection Configuration Register command. At power-up, all block are configured as 'Protected'.

Two bus operations are required to issue a Set Block Protection Configuration Register command:

- The first cycle writes the setup command
- The second write cycle specifies the address of the block to protect and confirms the command. If the command is not confirmed, the sequence is aborted and the device outputs the Status Register with bits 4 and 5 set to '1'.

To protect multiple blocks, the Set Block Protection Configuration Register command must be repeated for each block.

Any attempt to re-protect a block already protected does not change its status.

#### Clear Block Protection Configuration Register Command.

The Clear Block Protection Configuration Register command is used to configure the Block Protection Configuration Register to 'Unprotected', for a

## M58BW032BT, M58BW032BB, M58BW032DT, M58BW032DB

specific block thus allowing program/erase operations to this block, regardless of the WP pin status.

Two bus operations are required to issue a Clear Block Protection Configuration Register command:

- The first cycle writes the setup command
- The second write cycle specifies the address of the block to unprotect and confirms the command. If the command is not confirmed,

the sequence is aborted and the device outputs the Status Register with bits 4 and 5 set to '1'.

To unprotect multiple blocks, the Clear Block Protection Configuration Register command must be repeated for each block.

Any attempt to unprotect a block already unprotected does not affect its status.

**Table 8. Commands**

Command		Cycles	Bus Operations											
			1st Cycle			2nd Cycle			3rd Cycle			4th Cycle		
			Op.	Addr.	Data	Op.	Addr.	Data	Op.	Addr.	Data	Op.	Addr.	Data
Read Memory Array		≥ 2	Write	X	FFh	Read	RA	RD						
Read Electronic Signature <sup>(2)</sup>		≥ 2	Write	X	90h	Read	IDA <sup>(1)</sup>	IDD <sup>(1)</sup>						
Read Status Register		1	Write	X	70h									
Read Query		≥ 2	Write	X	98h	Read	RA	RD						
Clear Status Register		1	Write	X	50h									
Block Erase		2	Write	55h	20h	Write	BA	D0h						
Erase All Main Blocks		2	Write	55h	80h	Write	AAh	D0h						
Program	any block	2	Write	AAh	40h 10h	Write	PA	PD						
	OTP Block	2	Write	AAh	40h	Write	PA	PD						
Write to Buffer and Program		N+4	Write	AAh	E8h	Write	BA	N	Write	PA	PD	Write	X	D0h
Program/Erase Suspend		1	Write	X	B0h									
Program/Erase Resume		1	Write	X	D0h									
Set Burst Configuration Register		≥ 3	Write	X	60h	Write	BCRh	03h	Read	RA	RD			
Tuning Protection Program <sup>(3)</sup>		4	Write	AAh	48h	Write	TPAh	TPCh	Write	AAh	48h	Write	TPAh	TPCh
Tuning Protection Unlock <sup>(3)</sup>		4	Write	X	78h	Write	TPAh	TPCh	Write	X	78h	Write	TPAh	TPCh
Set Block Protection Configuration Register		2	Write	X	60h	Write	BA	01h						
Clear Block Protection Configuration Register		2	Write	X	60h	Write	BA	D0h						

Note: 1. X Don't Care; RA Read Address, RD Read Data, ID Device Code, IDA Identifier Address, IDD Identifier Data, SRD Status Register Data, PA Program Address; PD Program Data, QA Query Address, QD Query Data, BA Any address in the Block, BCR Burst Configuration Register value, TPA = Tuning Protection Address, TPC = Tuning Protection Code, N+1 number of Words to program, BA Block address.

2. The Manufacturer Code, the Device Code, the Burst Configuration Register, and the Block Protection Configuration Register of each block are read using the Read Electronic Signature command.

3. Cycles 1 and 2 input the first 32 bits of the code, cycles 3 and 4 the second 32 bits of the code.

**Table 9. Read Electronic Signature**

Code	Device	A19-A0	DQ31-DQ0
Manufacturer	All	00000h	00000020h
Device	M58BW032xT <sup>(1)</sup>	00001h	00008838h
	M58BW032xB <sup>(1)</sup>	00001h	00008837h
Burst Configuration Register		00005h	BCR <sup>(2)</sup>
Block Protection Configuration Register	All	SBA+02h <sup>(3)</sup>	00000000h (Unprotected)
			00000001h (Protected)

Note: 1. x= B or D version of the device.  
 2. BCR= Burst Configuration Register.  
 3. SBA is the start address of each block.

**Table 10. Program, Erase Times and Program Erase Endurance Cycles**

Parameters	M58BW032B/D			Unit
	Min	Typ	Max	
Full Chip Program		15	20	s
Double Word Program		TBD	TBD	µs
512 Kbit Block Erase		1	2	s
256 Kbit Block Erase		0.8	1.6	s
64 Kbit Block Erase		0.6	1.2	s
Program Suspend Latency Time		3	10	µs
Erase Suspend Latency Time		10	30	µs
Program/Erase Cycles (per Block)			100,000	cycles

Note: T<sub>A</sub> = -40 to 125°C, V<sub>DD</sub> = 3.0V to 3.6V, V<sub>DDQ</sub> = 1.6V to V<sub>DD</sub>

## STATUS REGISTER

The Status Register provides information on the current or previous Program, Erase, Block Protect or Tuning Protection operation. The various bits in the Status Register convey information and errors on the operation. They are output on DQ7-DQ0.

To read the Status Register the Read Status Register command can be issued. The Status Register is automatically read after Program, Erase, Block Protect, Program/Erase Resume commands. The Status Register can be read from any address.

The contents of the Status Register can be updated during an erase or program operation by toggling the Output Enable or Output Disable pins or by dis-activating (Chip Enable,  $V_{IH}$ ) and then reactivating (Chip Enable and Output Enable,  $V_{IL}$ , and Output Disable,  $V_{IH}$ .) the device.

The Status Register bits are summarized in [Table 11.](#), [Status Register Bits](#). Refer to [Table 11](#) in conjunction with the following text descriptions.

### Program/Erase Controller Status (Bit 7)

The Program/Erase Controller Status bit indicates whether the Program/Erase Controller is active or inactive. When the Program/Erase Controller Status bit is set to '0', the Program/Erase Controller is active; when bit7 is set to '1', the Program/Erase Controller is inactive.

The Program/Erase Controller Status is set to '0' immediately after a Program/Erase Suspend command is issued until the Program/Erase Controller pauses. After the Program/Erase Controller pauses the bit is set to '1'.

During Program and Erase operations the Program/Erase Controller Status bit can be polled to find the end of the operation. The other bits in the Status Register should not be tested until the Program/Erase Controller completes the operation and the bit is set to '1'.

After the Program/Erase Controller completes its operation the Erase Status (bit5), Program/Tuning Protection Unlock status (bit4) bits should be tested for errors.

### Erase Suspend Status (Bit 6)

The Erase Suspend Status bit indicates that an Erase operation has been suspended and is waiting to be resumed. The Erase Suspend Status should only be considered valid when the Program/Erase Controller Status bit is set to '1' (Program/Erase Controller inactive); after a Program/Erase Suspend command is issued the memory may still complete the operation rather than entering the Suspend mode.

When the Erase Suspend Status bit is set to '0', the Program/Erase Controller is active or has completed its operation; when the bit is set to '1', a Program/Erase Suspend command has been issued

and the memory is waiting for a Program/Erase Resume command.

When a Program/Erase Resume command is issued the Erase Suspend Status bit returns to '0'.

### Erase Status (Bit 5)

The Erase Status bit can be used to identify if the memory has failed to verify that the block has erased correctly. The Erase Status bit should be read once the Program/Erase Controller Status bit is High (Program/Erase Controller inactive).

When the Erase Status bit is set to '0', the memory has successfully verified that the block has erased correctly. When the Erase Status bit is set to '1', the Program/Erase Controller has applied the maximum number of pulses to the block and still failed to verify that the block has erased correctly.

Once set to '1', the Erase Status bit can only be reset to '0' by a Clear Status Register command or a hardware reset. If set to '1' it should be reset before a new Program or Erase command is issued, otherwise the new command will appear to fail.

### Program/ Write to Buffer and Program/Tuning Protection Unlock Status (Bit 4)

The Program/Write to Buffer and Program/Tuning Protection Unlock Status bit is used to identify a Program failure, a Write to Buffer and Program failure or a Tuning Protection Code verify failure. Bit4 should be read once the Program/Erase Controller Status bit is High (Program/Erase Controller inactive).

When bit4 is set to '0' the memory has successfully verified that the device has programmed correctly or that the correct Tuning Protection Code has been written. When bit4 is set to '1' the device has failed to verify that the data has been programmed correctly or that the correct Tuning Protection code has been written.

Once set to '1', the Program Status bit can only be reset to '0' by a Clear Status Register command or a hardware reset. If set to '1' it should be reset before a new Program or Erase command is issued, otherwise the new command will appear to fail.

**VPEN Status (Bit 3).** The VPEN Status bit can be used to identify if a program or erase operation has been attempted when VPEN is Low,  $V_{IL}$ .

When Bit 3 is set to '0' no program or erase operations have been attempted with VPEN Low,  $V_{IL}$ , since the last Clear Status Register command, or hardware reset.

When Bit 3 is set to '1' a program or erase operation has been attempted with VPEN Low,  $V_{IL}$ .

Once set to '1', Bit 3 can only be reset by a Clear Status Register command or a hardware reset. If set to '1' it should be reset before a new program

or erase command is issued, otherwise the new command will appear to fail.

**Program Suspend Status (Bit 2)**

The Program Suspend Status bit indicates that a Program operation has been suspended and is waiting to be resumed. The Program Suspend Status should only be considered valid when the Program/Erase Controller Status bit is set to '1' (Program/Erase Controller inactive); after a Program/Erase Suspend command is issued the memory may still complete the operation rather than entering the Suspend mode.

When the Program Suspend Status bit is set to '0', the Program/Erase Controller is active or has completed its operation; when the bit is set to '1', a Program/Erase Suspend command has been issued and the memory is waiting for a Program/Erase Resume command.

When a Program/Erase Resume command is issued the Program Suspend Status bit returns to '0'.

**Block Protection Status (Bit 1)**

The Block Protection Status bit can be used to identify if a Program or Erase operation has tried to modify the contents of a protected block.

When the Block Protection Status bit is set to '0', no Program or Erase operations have been attempted to protected blocks since the last Clear Status Register command or hardware reset; when the Block Protection Status bit is set to '1', a Program or Erase operation has been attempted on a protected block.

Once set to '1', the Block Protection Status bit can only be reset Low by a Clear Status Register command or a hardware reset. If set to '1' it should be reset before a new Program or Erase command is issued, otherwise the new command will appear to fail.

**Tuning Protection Status (Bit 0)**

The Tuning Protection Status bit indicates if the device is locked (Tuning Protection is enabled) or unlocked (Tuning Protection is disabled).

When the Tuning Protection Status bit is set to '0' the device is locked, when it is set to '1' the device is unlocked. After a reset or power-up the device is locked and so bit0 is set to '0'.

The Tuning Protection Status bit is set to '1' for the M58BW032D version.

**Table 11. Status Register Bits**

Bit	Name	Logic Level	Definition
7	Program/Erase Controller Status	'1'	Ready
		'0'	Busy
6	Erase Suspend Status	'1'	Suspended
		'0'	In Progress or Completed
5	Erase Status	'1'	Erase Error
		'0'	Erase Success
4	Program Status, Tuning Protection Unlock Status	'1'	Program Error
		'0'	Program Success
3	V <sub>PEN</sub> Status bit	'0'	no program or erase attempted
		'1'	program or erase attempted
2	Program Suspend Status	'1'	Suspended
		'0'	In Progress or Completed
1	Erase/Program in a Protected Block	'1'	program/erase on protected block, abort
		'0'	No operations to protected blocks
0	Tuning Protection Status	'1'	Tuning Protection Disabled <sup>(1)</sup>
		'0'	Tuning Protection Enabled

Note: 1. For the M58BW032D version the Tuning Protection Status bit is always set to '1'.

**MAXIMUM RATING**

Stressing the device above the ratings listed in [Table 12., Absolute Maximum Ratings](#), may cause permanent damage to the device. These are stress ratings only and operation of the device at these or any other conditions above those indicated in the Operating sections of this specification is

not implied. Exposure to Absolute Maximum Rating conditions for extended periods may affect device reliability. Refer also to the STMicroelectronics SURE Program and other relevant quality documents.

**Table 12. Absolute Maximum Ratings**

Symbol	Parameter	Value		Unit
		Min	Max	
T <sub>BIAS</sub>	Temperature Under Bias	-40	125	°C
T <sub>STG</sub>	Storage Temperature	-55	155	°C
T <sub>LEAD</sub>	Lead Temperature during Soldering <sup>(1)</sup>		TBD	°C
V <sub>IO</sub>	Input or Output Voltage	-0.6	V <sub>DDQ</sub> +0.6 V <sub>DDQIN</sub> +0.6	V
V <sub>DD</sub> , V <sub>DDQ</sub> , V <sub>DDQIN</sub>	Supply Voltage	-0.6	4.2	V

Note: 1. Compliant with the ECOPACK® 7191395 specification for Lead-free soldering processes.

## DC AND AC PARAMETERS

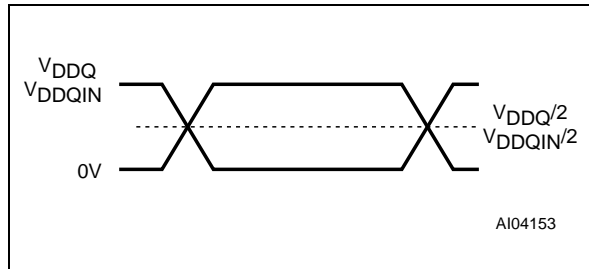
This section summarizes the operating and measurement conditions, and the DC and AC characteristics of the device. The parameters in the DC and AC characteristics Tables that follow, are derived from tests performed under the Measure-

ment Conditions summarized in [Table 13., Operating and AC Measurement Conditions.](#) Designers should check that the operating conditions in their circuit match the measurement conditions when relying on the quoted parameters.

**Table 13. Operating and AC Measurement Conditions**

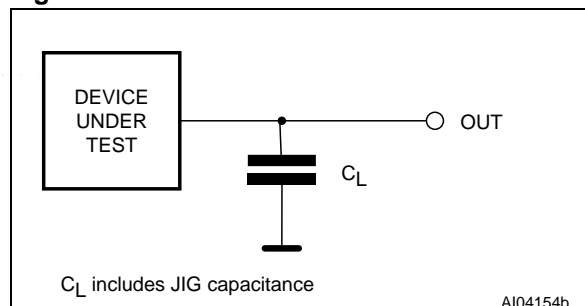
Parameter	Value		Units	
	Min	Max		
Supply Voltage ( $V_{DD}$ )	3.0	3.6	V	
Input/Output Supply Voltage ( $V_{DDQ}$ )	2.4	3.6	V	
Ambient Temperature ( $T_A$ )	Grade 6	-40	90	°C
	Grade 3	-40	125	°C
Load Capacitance ( $C_L$ )	30		pF	
Clock Rise and Fall Times		3	ns	
Input Rise and Fall Times		3	ns	
Input Pulses Voltages	0 to $V_{DDQ}$		V	
Input and Output Timing Ref. Voltages	$V_{DDQ}/2$		V	

**Figure 6. AC Measurement Input Output Waveform**



Note:  $V_{DD} = V_{DDQ}$ .

**Figure 7. AC Measurement Load Circuit**



**Table 14. Device Capacitance**

Symbol	Parameter	Test Condition	Typ	Max	Unit
$C_{IN}$	Input Capacitance	$V_{IN} = 0V$	6	8	pF
$C_{OUT}$	Output Capacitance	$V_{OUT} = 0V$	8	12	pF

Note: 1.  $T_A = 25^\circ C$ ,  $f = 1$  MHz  
 2. Sampled only, not 100% tested.

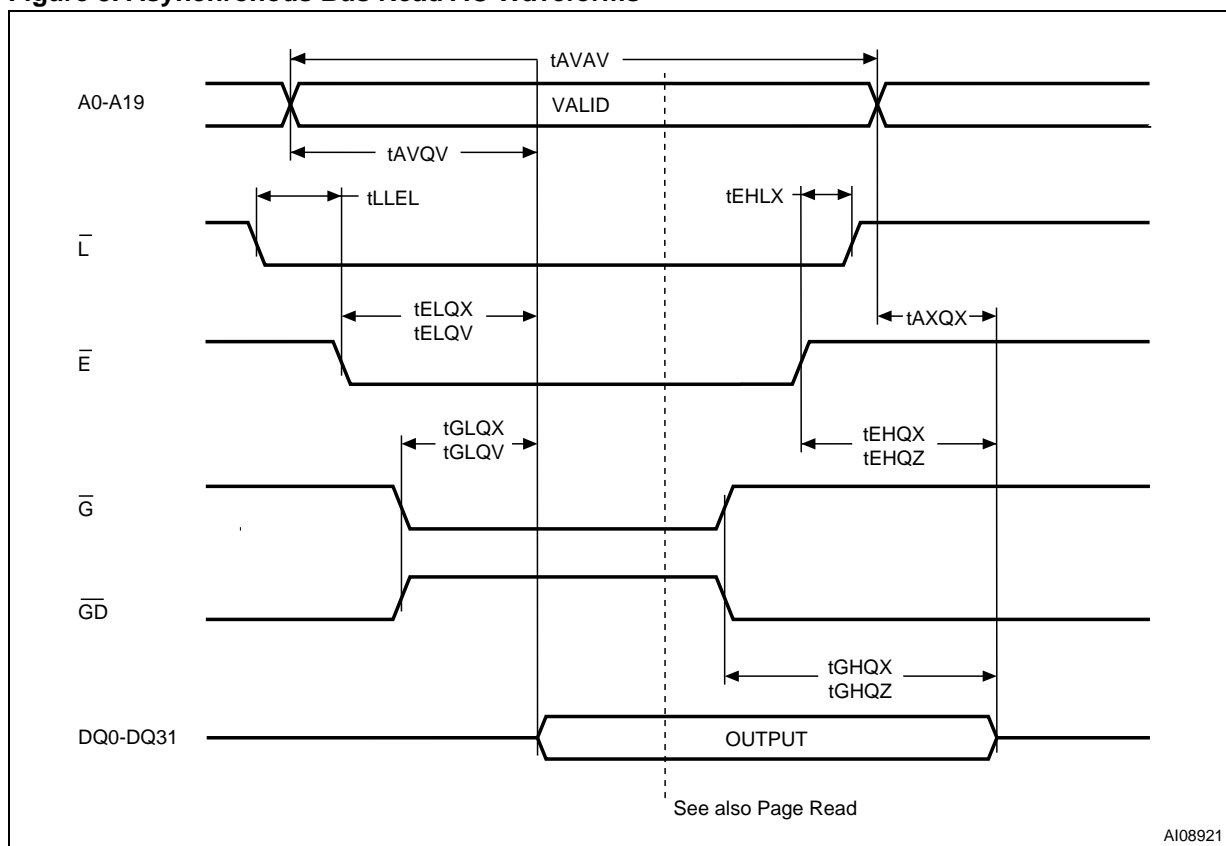
Table 15. DC Characteristics

Symbol	Parameter	Test Condition	Min	Max	Unit
$I_{LI}$	Input Leakage Current	$0V \leq V_{IN} \leq V_{DDQ}$		$\pm 1$	$\mu A$
$I_{LO}$	Output Leakage Current	$0V \leq V_{OUT} \leq V_{DDQ}$		$\pm 5$	$\mu A$
$I_{DD}^{(1)}$	Supply Current (Random Read)	$\bar{E} = V_{IL}, \bar{G} = V_{IH}, f_{add} = 6MHz$		50	mA
$I_{DDB}^{(1)}$	Supply Current (Burst Read)	$\bar{E} = V_{IL}, \bar{G} = V_{IH}, f_{clock} = 75MHz$		50	mA
$I_{DD1}^{(1)}$	Supply Current (Standby)	$\bar{E} = \bar{RP} = V_{DD} \pm 0.2V$		100	$\mu A$
$I_{DD2}^{(1)}$	Supply Current (Program or Erase)	Program, Erase in progress		30	mA
$I_{DD3}^{(1)}$	Supply Current (Erase/Program Suspend)	$\bar{E} = V_{IH}$		40	$\mu A$
$V_{IL}$	Input Low Voltage		-0.5	$0.2V_{DDQIN}$	V
$V_{IH}$	Input High Voltage (for DQ lines)		$0.8V_{DDQIN}$	$V_{DDQ} + 0.3$	V
$V_{IH}$	Input High Voltage (for Input only lines)		$0.8V_{DDQIN}$	3.6	V
$V_{OL}$	Output Low Voltage	$I_{OL} = 100\mu A$		0.1	V
$V_{OH}$	Output High Voltage CMOS	$I_{OH} = -100\mu A$	$V_{DDQ} - 0.1$		V
$V_{LKO}$	$V_{DD}$ Supply Voltage (Erase and Program lockout)			2.2	V

Note: 1. The Standby mode can be disabled by setting the Standby Disable bit (M14) of the Burst Configuration Register to '1'.



Figure 8. Asynchronous Bus Read AC Waveforms



A108921

Table 16. Asynchronous Bus Read AC Characteristics.

Symbol	Parameter	Test Condition		M58BW032			Unit
				45	55	60	
t <sub>AVAV</sub>	Address Valid to Address Valid	$\bar{E} = V_{IL}, \bar{G} = V_{IL}$	Min	45	55	60	ns
t <sub>AVQV</sub>	Address Valid to Output Valid	$\bar{E} = V_{IL}, \bar{G} = V_{IL}$	Max	45	55	60	ns
t <sub>AXQX</sub>	Address Transition to Output Transition	$\bar{E} = V_{IL}, \bar{G} = V_{IL}$	Min	0			ns
t <sub>EHLX</sub>	Chip Enable High to Latch Enable Transition		Min	0			ns
t <sub>EHQX</sub>	Chip Enable High to Output Transition	$\bar{G} = V_{IL}$	Min	0			ns
t <sub>EHQZ</sub>	Chip Enable High to Output Hi-Z	$\bar{G} = V_{IL}$	Max	20			ns
t <sub>ELQV</sub> <sup>(1)</sup>	Chip Enable Low to Output Valid	$\bar{G} = V_{IL}$	Max	45	55	60	ns
t <sub>ELQX</sub>	Chip Enable Low to Output Transition	$\bar{G} = V_{IL}$	Min	0			ns
t <sub>GHQX</sub>	Output Enable High to Output Transition	$\bar{E} = V_{IL}$	Min	0			ns
t <sub>GHQZ</sub>	Output Enable High to Output Hi-Z	$\bar{E} = V_{IL}$	Max	15			ns
t <sub>GLQV</sub>	Output Enable Low to Output Valid	$\bar{E} = V_{IL}$	Max	15			ns
t <sub>GLQX</sub>	Output Enable to Output Transition	$\bar{E} = V_{IL}$	Min	0			ns
t <sub>LLEL</sub>	Latch Enable Low to Chip Enable Low		Min	0			ns

Note: 1. Output Enable  $\bar{G}$  may be delayed up to t<sub>ELQV</sub> - t<sub>GLQV</sub> after the falling edge of Chip Enable  $\bar{E}$  without increasing t<sub>ELQV</sub>.

Figure 9. Asynchronous Latch Controlled Bus Read AC Waveforms

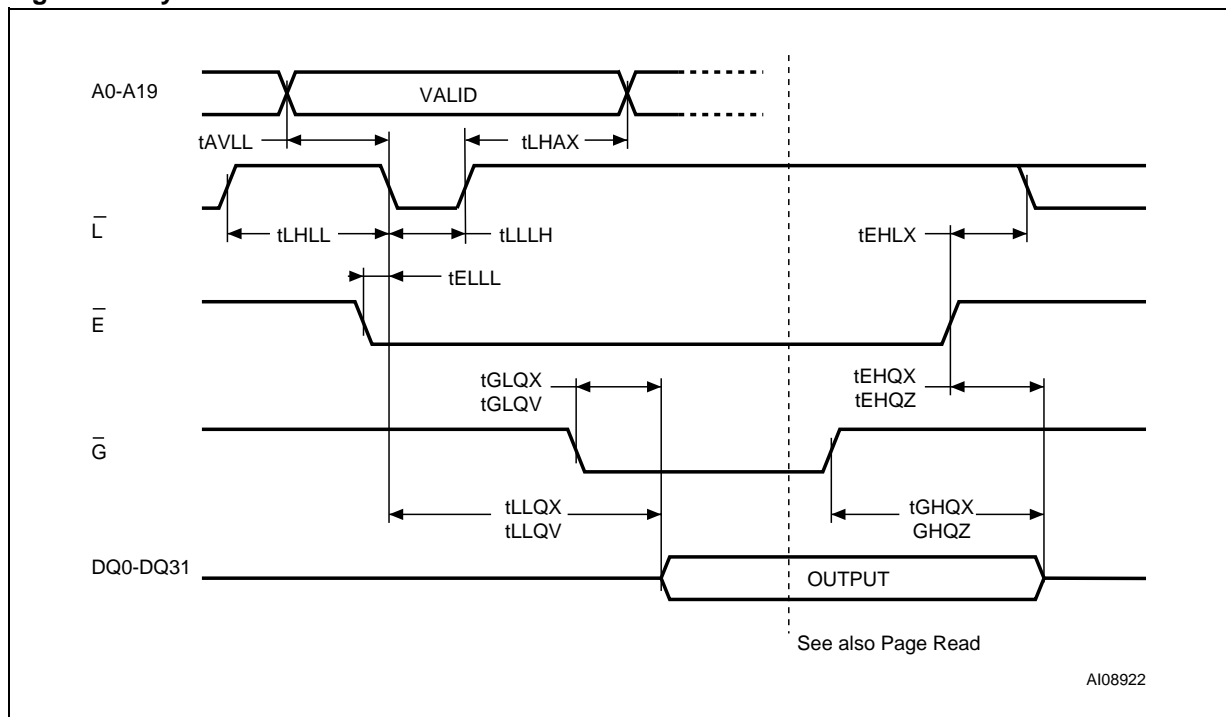


Table 17. Asynchronous Latch Controlled Bus Read AC Characteristics

Symbol	Parameter	Test Condition		M58BW032			Unit
				45	55	60	
t <sub>AVLL</sub>	Address Valid to Latch Enable Low	$\bar{E} = V_{IL}$	Min	0	0	0	ns
t <sub>EHLX</sub>	Chip Enable High to Latch Enable Transition		Min	0	0	0	ns
t <sub>EHQX</sub>	Chip Enable High to Output Transition	$\bar{G} = V_{IL}$	Min	0	0	0	ns
t <sub>EHQZ</sub>	Chip Enable High to Output Hi-Z	$\bar{G} = V_{IL}$	Max	20	20	20	ns
t <sub>ELLL</sub>	Chip Enable Low to Latch Enable Low		Min	0	0	0	ns
t <sub>GHQX</sub>	Output Enable High to Output Transition	$\bar{E} = V_{IL}$	Min	0	0	0	ns
t <sub>GHQZ</sub>	Output Enable High to Output Hi-Z	$\bar{E} = V_{IL}$	Max	15	15	15	ns
t <sub>GLQV</sub>	Output Enable Low to Output Valid	$\bar{E} = V_{IL}$	Max	15	25	25	ns
t <sub>GLQX</sub>	Output Enable Low to Output Transition	$\bar{E} = V_{IL}$	Min	0	0	0	ns
t <sub>LHAX</sub>	Latch Enable High to Address Transition	$\bar{E} = V_{IL}$	Min	5	5	5	ns
t <sub>LHLL</sub>	Latch Enable High to Latch Enable Low		Min	10	10	10	ns
t <sub>LLLH</sub>	Latch Enable Low to Latch Enable High	$\bar{E} = V_{IL}$	Min	10	10	10	ns
t <sub>LLQV</sub>	Latch Enable Low to Output Valid	$\bar{E} = V_{IL}, \bar{G} = V_{IL}$	Max	45	55	60	ns
t <sub>LLQX</sub>	Latch Enable Low to Output Transition	$\bar{E} = V_{IL}, \bar{G} = V_{IL}$	Min	0	0	0	ns

Figure 10. Asynchronous Page Read AC Waveforms

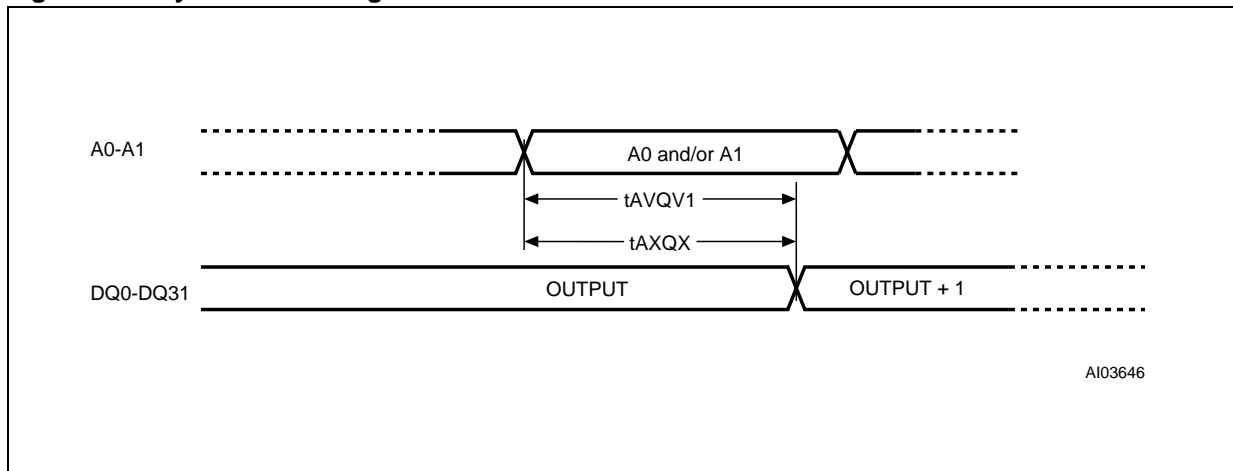


Table 18. Asynchronous Page Read AC Characteristics

Symbol	Parameter	Test Condition	M58BW032			Unit
			45	55	60	
t <sub>AVQV1</sub>	Address Valid to Output Valid	$\bar{E} = V_{IL}, \bar{G} = V_{IL}$ Max	25	25	25	ns
t <sub>AXQX</sub>	Address Transition to Output Transition	$\bar{E} = V_{IL}, \bar{G} = V_{IL}$ Min	6	6	6	ns

Note: For other timings see [Table 16., Asynchronous Bus Read AC Characteristics.](#)

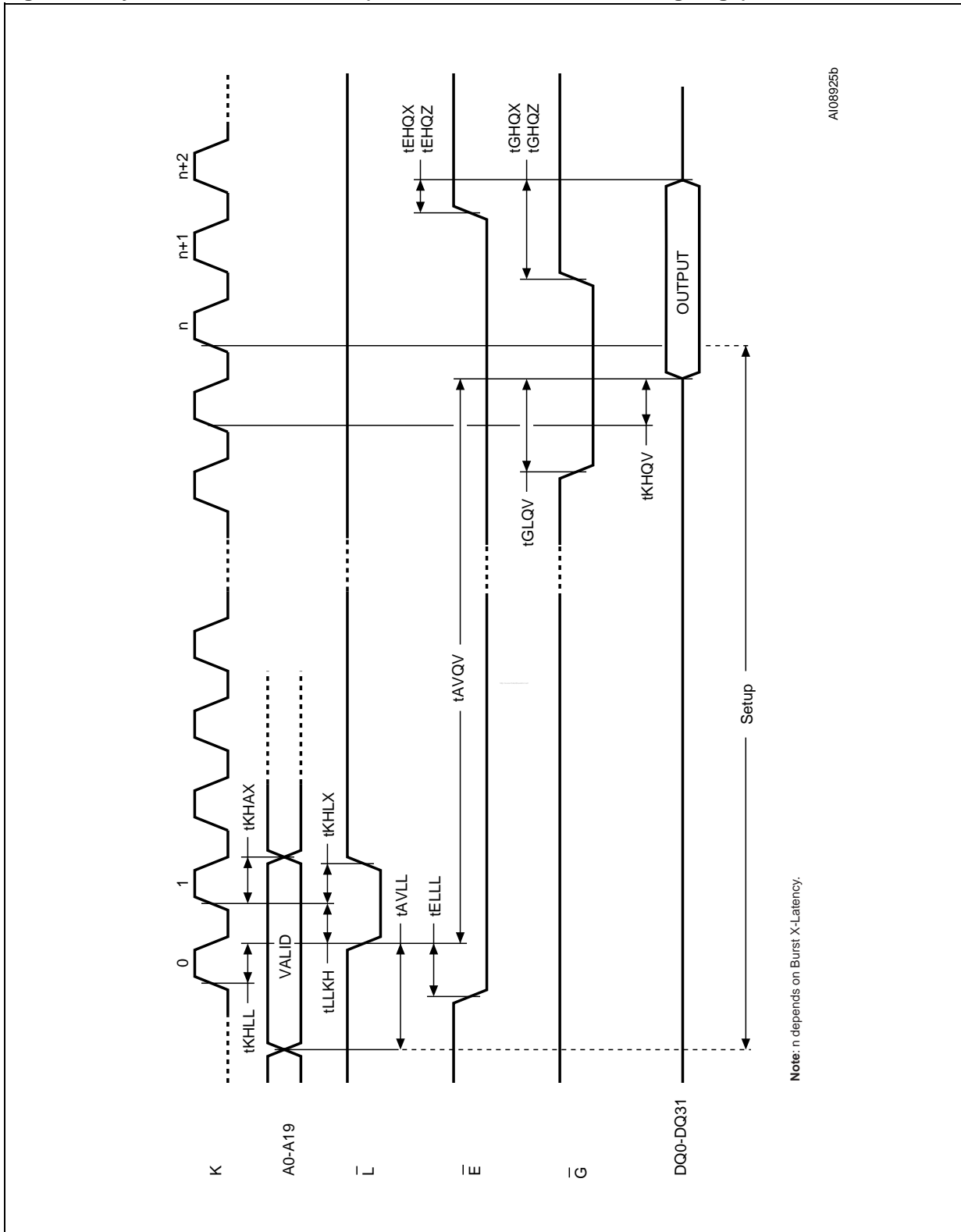




Table 19. Asynchronous Write and Latch Controlled Write AC Characteristics

Symbol	Parameter	Test Condition		M58BW032			Unit
				45	55	60	
t <sub>AVLL</sub>	Address Valid to Latch Enable Low		Min	0	0	0	ns
t <sub>AVWH</sub>	Address Valid to Write Enable High	$\bar{E} = V_{IL}$	Min	25	25	25	ns
t <sub>DVWH</sub>	Data Input Valid to Write Enable High	$\bar{E} = V_{IL}$	Min	25	25	25	ns
t <sub>ELLL</sub>	Chip Enable Low to Latch Enable Low		Min	0	0	0	ns
t <sub>ELWL</sub>	Chip Enable Low to Write Enable Low		Min	0	0	0	ns
t <sub>LHAX</sub>	Latch Enable High to Address Transition		Min	5	5	5	ns
t <sub>LLLH</sub>	Latch Enable Low to Latch Enable High		Min	10	10	10	ns
t <sub>LLWH</sub>	latch Enable Low to Write Enable High	$\bar{E} = V_{IL}$	Min	25	25	25	ns
t <sub>QVVPL</sub>	Output Valid to V <sub>PEN</sub> Low		Min	0	0	0	ns
t <sub>VPWH</sub>	V <sub>PEN</sub> High to Write Enable High		Min	0	0	0	ns
t <sub>WHAX</sub>	Write Enable High to Address Transition	$\bar{E} = V_{IL}$	Min	0	0	0	ns
t <sub>WHDX</sub>	Write Enable High to Input Transition	$\bar{E} = V_{IL}$	Min	0	0	0	ns
t <sub>WHEH</sub>	Write Enable High to Chip Enable High		Min	0	0	0	ns
t <sub>WHGL</sub>	Write Enable High to Output Enable Low		Min	150	150	150	ns
t <sub>WHQV</sub>	Write Enable High to Output Valid		Min	175	175	175	ns
t <sub>WHWL</sub>	Write Enable High to Write Enable Low		Min	20	20	20	ns
t <sub>WLWH</sub>	Write Enable Low to Write Enable High	$\bar{E} = V_{IL}$	Min	25	25	25	ns
t <sub>QVPL</sub>	Output Valid to Reset/Power-down Low		Min	0	0	0	ns

Figure 13. Synchronous Burst Read (Data Valid from 'n' Clock Rising Edge)



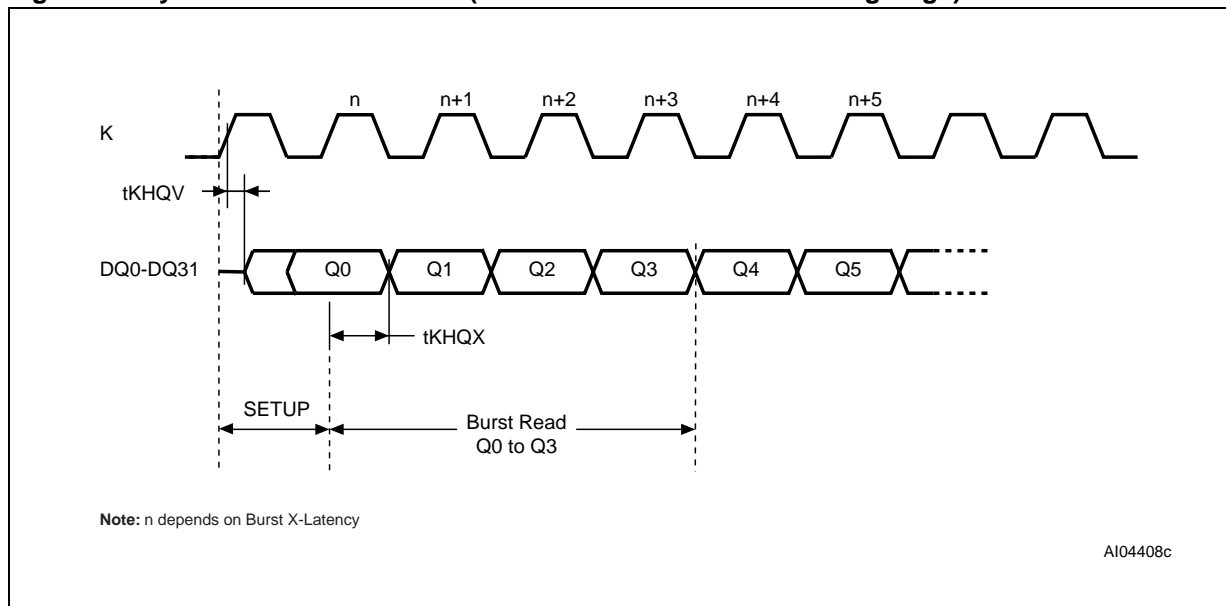
A108925b

Table 20. Synchronous Burst Read AC Characteristics

Symbol	Parameter	Test Condition	M58BW032			Unit	
			45	55	60		
t <sub>AVLL</sub>	Address Valid to Latch Enable Low	$\bar{E} = V_{IL}$	Min	0	0	0	ns
t <sub>BHKH</sub>	Burst Address Advance High to Valid Clock Edge	$\bar{E} = V_{IL}, \bar{G} = V_{IL}, L = V_{IH}$	Min	8	8	8	ns
t <sub>BLKH</sub>	Burst Address Advance Low to Valid Clock Edge	$\bar{E} = V_{IL}, \bar{G} = V_{IL}, L = V_{IH}$	Min	8	8	8	ns
t <sub>ELL</sub>	Chip Enable Low to Latch Enable low		Min	0	0	0	ns
t <sub>GLQV</sub>	Output Enable Low to Output Valid	$\bar{E} = V_{IL}, L = V_{IH}$	Min	10	10	10	ns
t <sub>KHAX</sub>	Valid Clock Edge to Address Transition	$\bar{E} = V_{IL}$	Min	5	5	5	ns
t <sub>KHLL</sub>	Valid Clock Edge to Latch Enable Low	$\bar{E} = V_{IL}$	Min	0	0	0	ns
t <sub>KHLX</sub>	Valid Clock Edge to Latch Enable Transition	$\bar{E} = V_{IL}$	Min	0	0	0	ns
t <sub>KHQX</sub>	Valid Clock Edge to Output Transition	$\bar{E} = V_{IL}, \bar{G} = V_{IL}, L = V_{IH}$	Min	0	0	0	ns
t <sub>LLKH</sub>	Latch Enable Low to Valid Clock Edge	$\bar{E} = V_{IL}$	Min	6	6	6	ns
t <sub>RLKH</sub>	Valid Data Ready Low to Valid Clock Edge	$\bar{E} = V_{IL}, \bar{G} = V_{IL}, L = V_{IH}$	Min	6	6	6	ns
t <sub>KHQV</sub>	Valid Clock Edge to Output Valid	$\bar{E} = V_{IL}, \bar{G} = V_{IL}, L = V_{IH}$	Max	8	8	8	ns

Note: 1. Data output should be read on the valid clock edge.  
 2. For other timings see Table 16., Asynchronous Bus Read AC Characteristics..

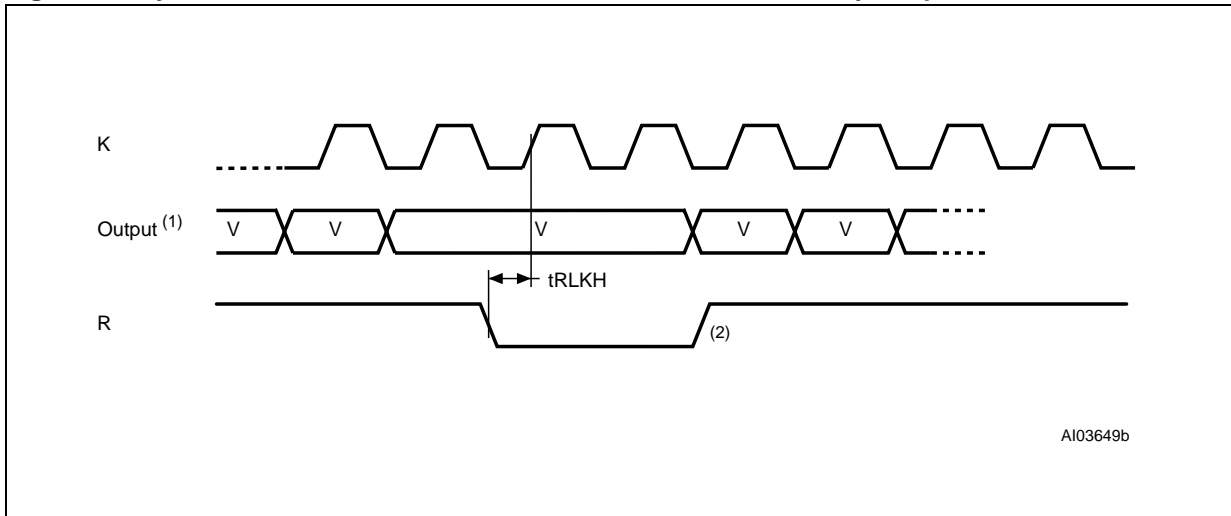
Figure 14. Synchronous Burst Read (Data Valid from 'n' Clock Rising Edge)



Note: For set up signals and timings see Synchronous Burst Read.



Figure 15. Synchronous Burst Read - Continuous - Valid Data Ready Output

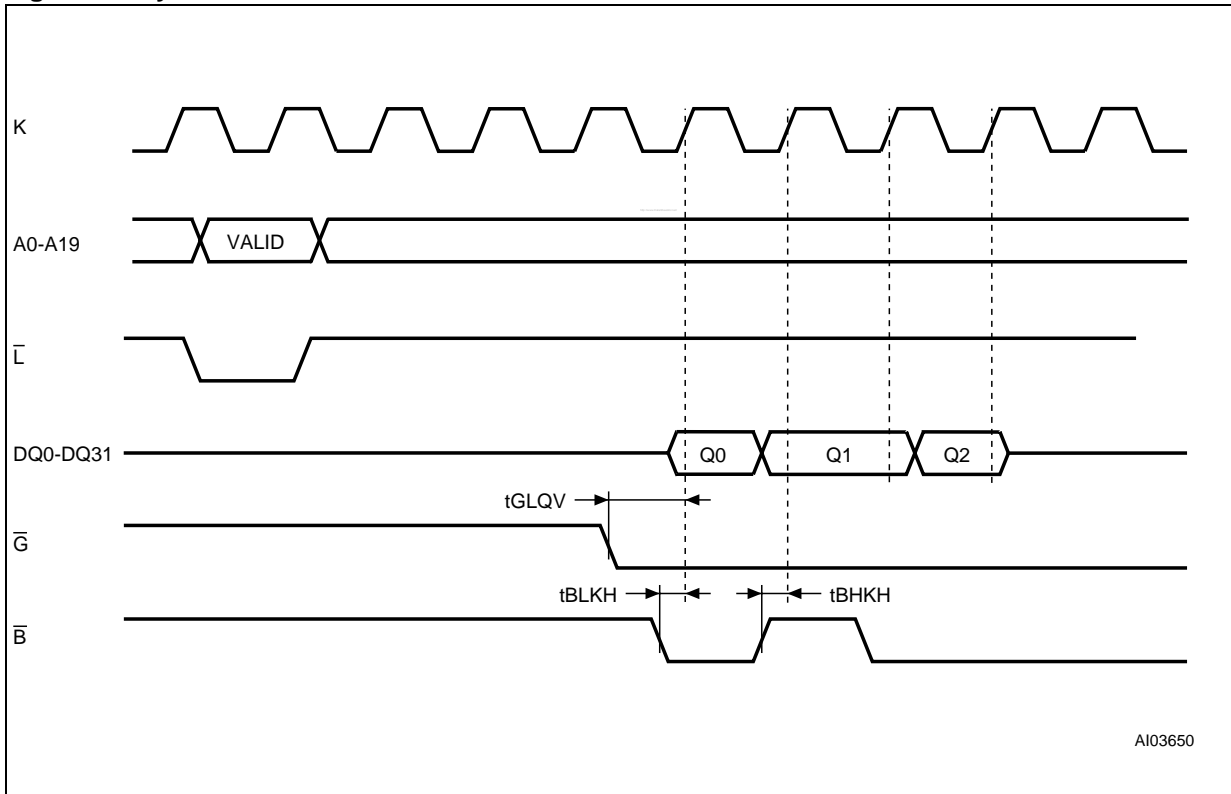


AI03649b

Note: Valid Data Ready = Valid Low during valid clock edge

1. V= Valid output.
2. The internal timing of R follows DQ.

Figure 16. Synchronous Burst Read - Burst Address Advance



AI03650

Figure 17. Reset, Power-Down and Power-up AC Waveform

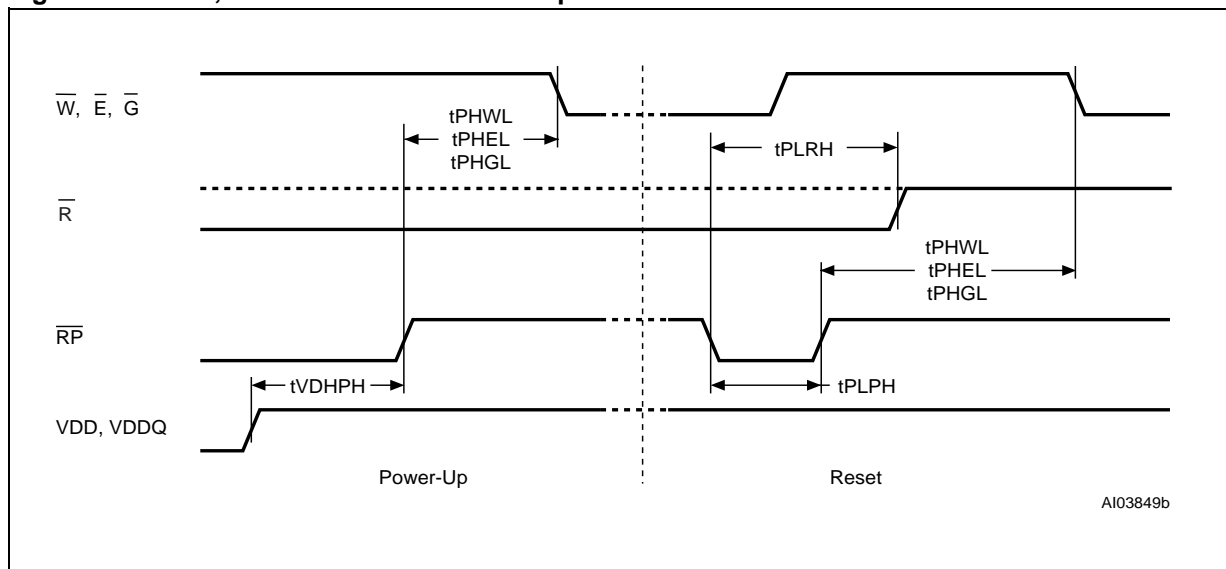


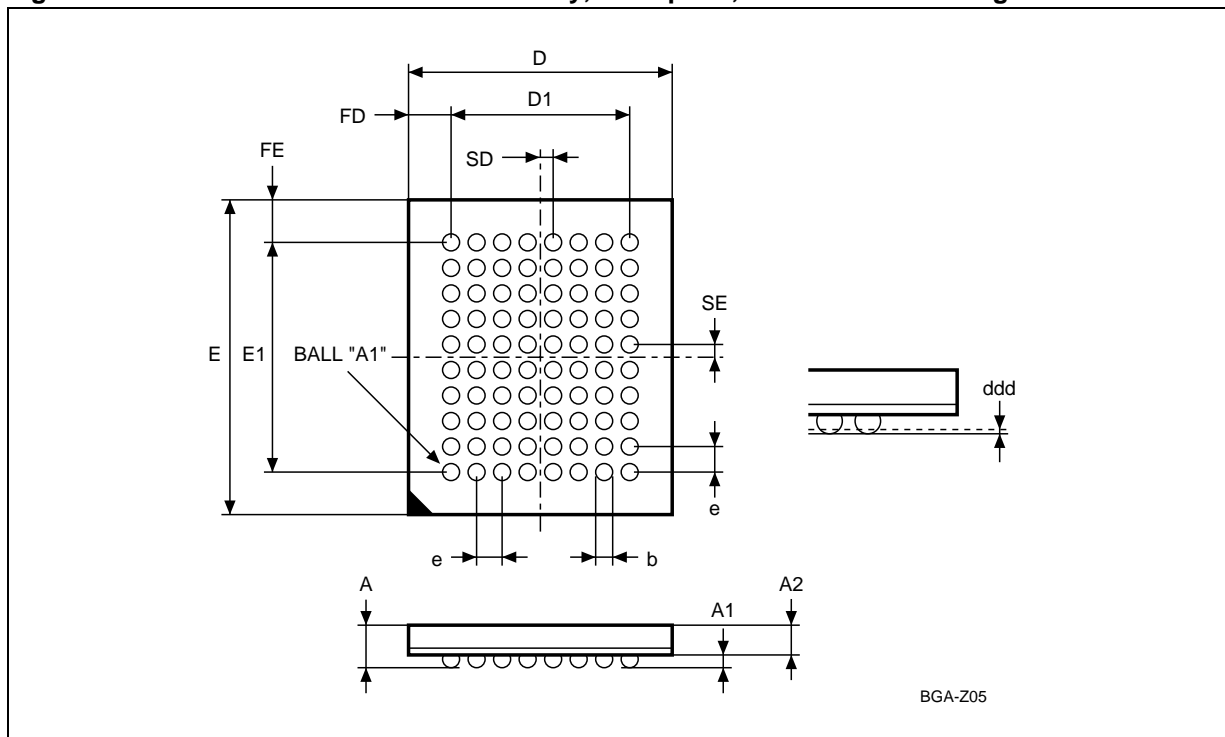
Table 21. Reset, Power-Down and Power-up AC Characteristics

Symbol	Parameter	Min	Max	Unit
$t_{PHEL}$	Reset/Power-down High to Chip Enable Low	50		ns
$t_{PHQV}^{(1)}$	Reset/Power-down High to Output Valid		130	ns
$t_{PHWL}$	Reset/Power-down High to Write Enable Low	50		ns
$t_{PHGL}$	Reset/Power-down High to Output Enable Low	50		ns
$t_{PLPH}$	Reset/Power-down Low to Reset/Power-down High	100		ns
$t_{PLRH}$	Reset/Power-down Low to Valid Data Ready High	2	30	$\mu$ s
$t_{VDHPH}$	Supply Voltages High to Reset/Power-down High	10		$\mu$ s

Note: 1. This time is  $t_{PHEL} + t_{AVQV}$  or  $t_{PHEL} + t_{ELQV}$ .

**PACKAGE MECHANICAL**

**Figure 18. LBGA80 10x12mm - 8x10 ball array, 1mm pitch, Bottom View Package Outline**



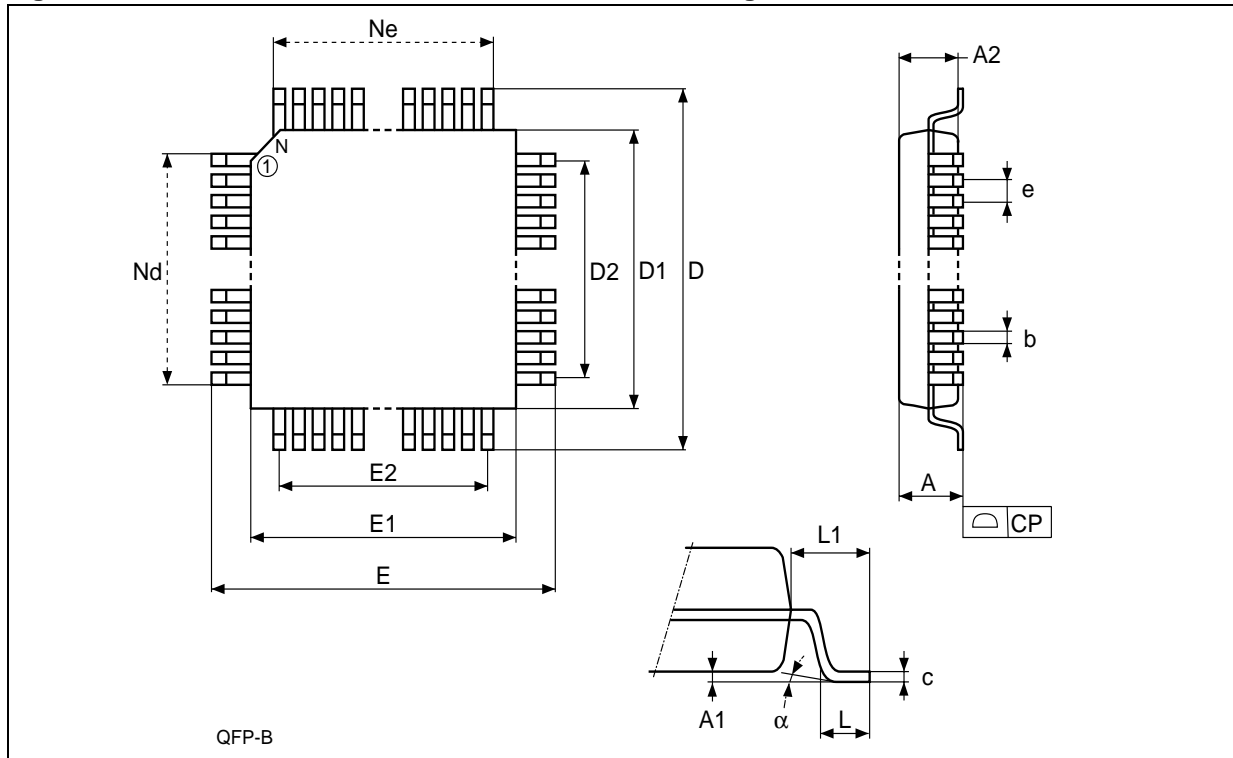
Note: Drawing is not to scale.

**Table 22. LBGA80 10x12mm - 8x10 ball array, 1mm pitch, Package Mechanical Data**

Symbol	millimeters			inches		
	Typ	Min	Max	Typ	Min	Max
A			1.700			0.0669
A1	0.400	0.350	0.450	0.0157	0.0138	0.0177
A2	1.100			0.0433		
b	0.500	–	–	0.0197	–	–
D	10.000	–	–	0.3937	–	–
D1	7.000	–	–	0.2756	–	–
ddd			0.150			0.0059
E	12.000	–	–	0.4724	–	–
E1	9.000	–	–	0.3543	–	–
e	1.000	–	–	0.0394	–	–
FD	1.500	–	–	0.0591	–	–
FE	1.500	–	–	0.0591	–	–
SD	0.500	–	–	0.0197	–	–
SE	0.500	–	–	0.0197	–	–

M58BW032BT, M58BW032BB, M58BW032DT, M58BW032DB

Figure 19. PQFP80 - 80 lead Plastic Quad Flat Pack, Package Outline



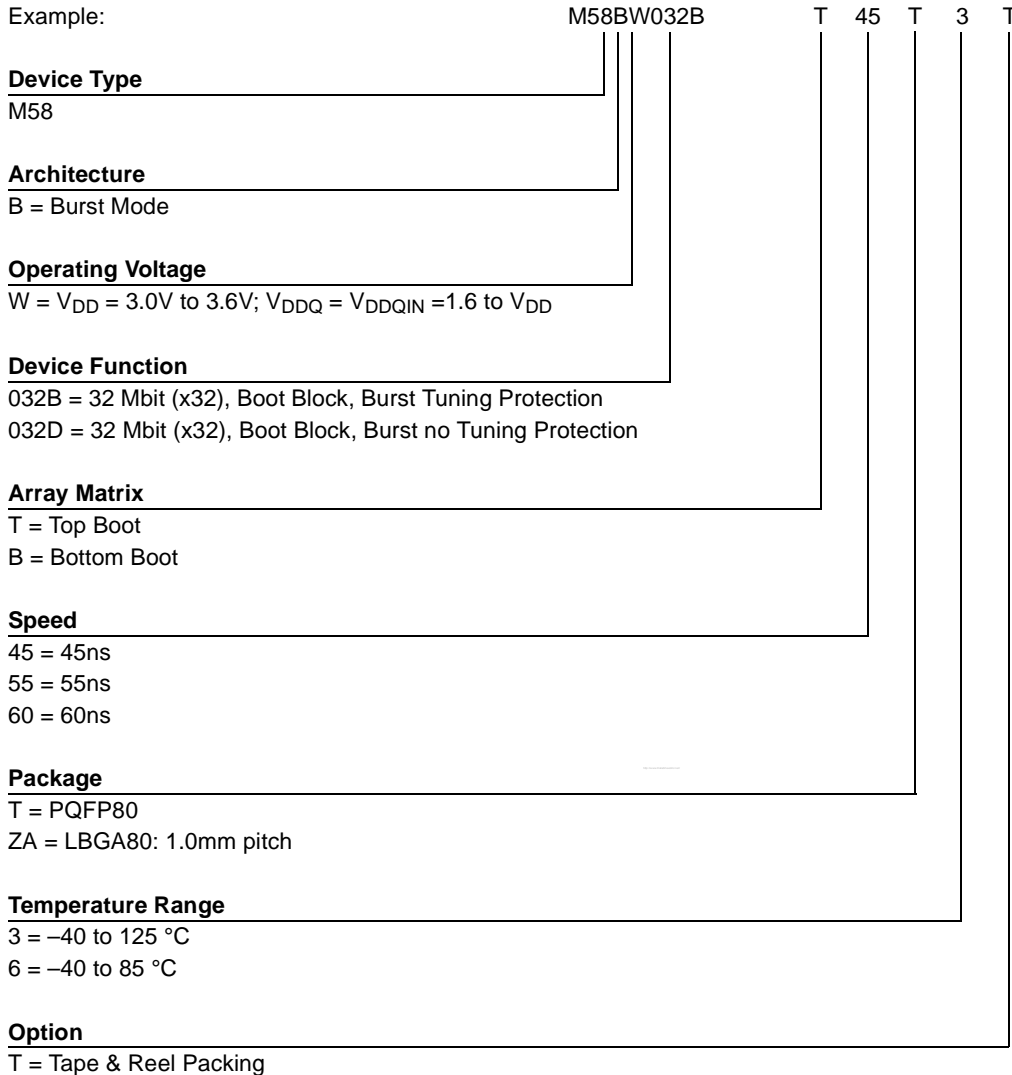
Note: Drawing is not to scale.

Table 23. PQFP80 - 80 lead Plastic Quad Flat Pack, Package Mechanical Data

Symbol	millimeters			inches			
	Typ	Min	Max	Typ	Min	Max	
A			3.400			0.1339	
A1		0.250			0.0098		
A2	2.800	2.550	3.050	0.1102	0.1004	0.1201	
b		0.300	0.450		0.0118	0.0177	
c		0.130	0.230		0.0051	0.0091	
D	23.200	22.950	23.450	0.9134	0.9035	0.9232	
D1	20.000	19.900	20.100	0.7874	0.7835	0.7913	
D2	18.400	—	—	0.7244	—	—	
e	0.800	—	—	0.0315	—	—	
E	17.200	16.950	17.450	0.6772	0.6673	0.6870	
E1	14.000	13.900	14.100	0.5512	0.5472	0.5551	
E2	12.000	—	—	0.4724	—	—	
L	0.800	0.650	0.950	0.0315	0.0256	0.0374	
L1	1.600	—	—	0.0630	—	—	
$\alpha$		0°	7°		0°	7°	
N		80				80	
Nd		24				24	
Ne		16				16	

## PART NUMBERING

Table 24. Ordering Information Scheme

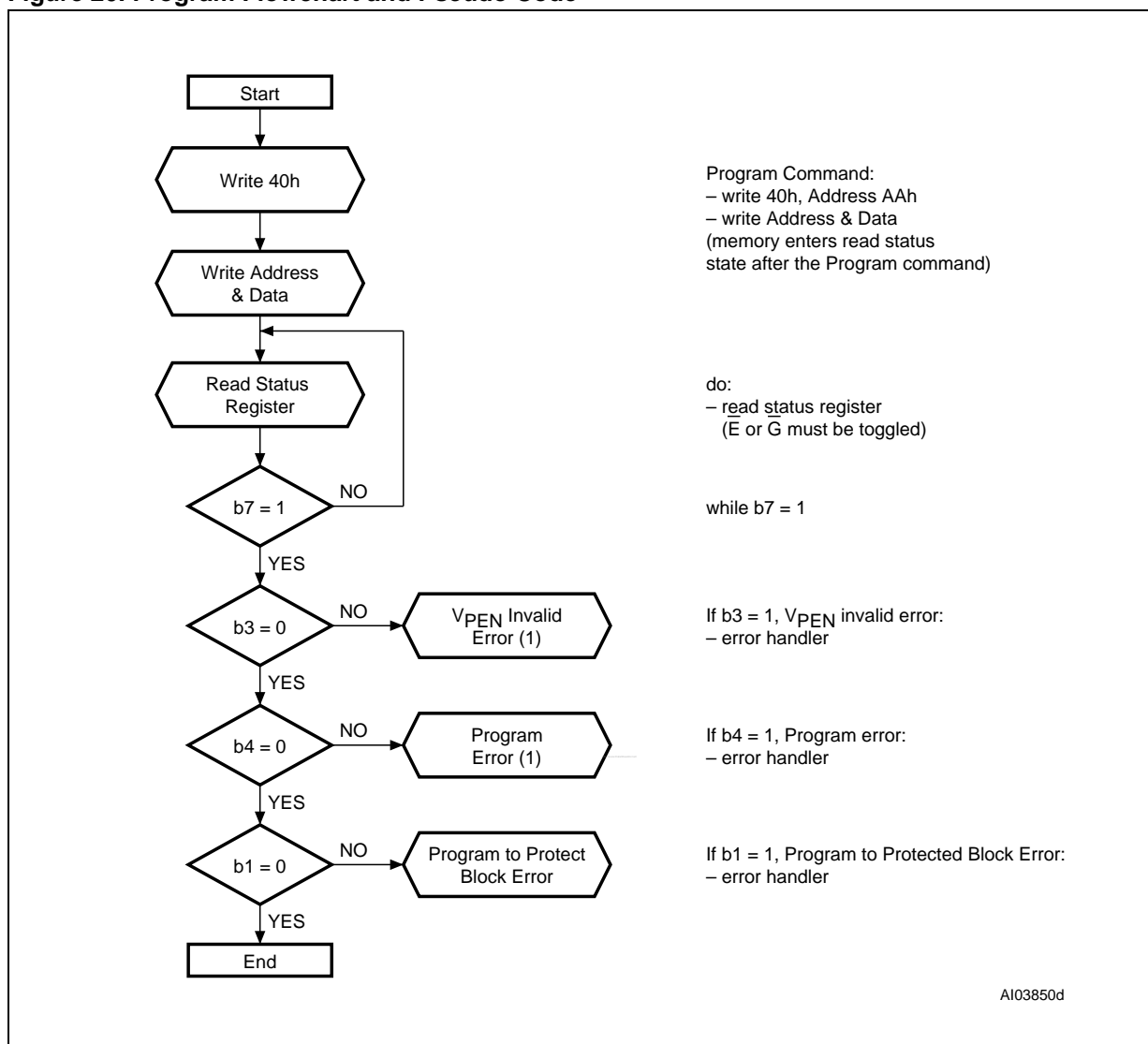


Note: Devices are shipped from the factory with the memory content bits erased to '1'.

For a list of available options (Speed, Package, etc...) or for further information on any aspect of this device, please contact the ST Sales Office nearest to you.

## APPENDIX A. FLOW CHARTS

Figure 20. Program Flowchart and Pseudo Code



Note: 1. If an error is found, the Status Register must be cleared before further P/E operations.

Figure 21. Program Suspend & Resume Flowchart and Pseudo Code

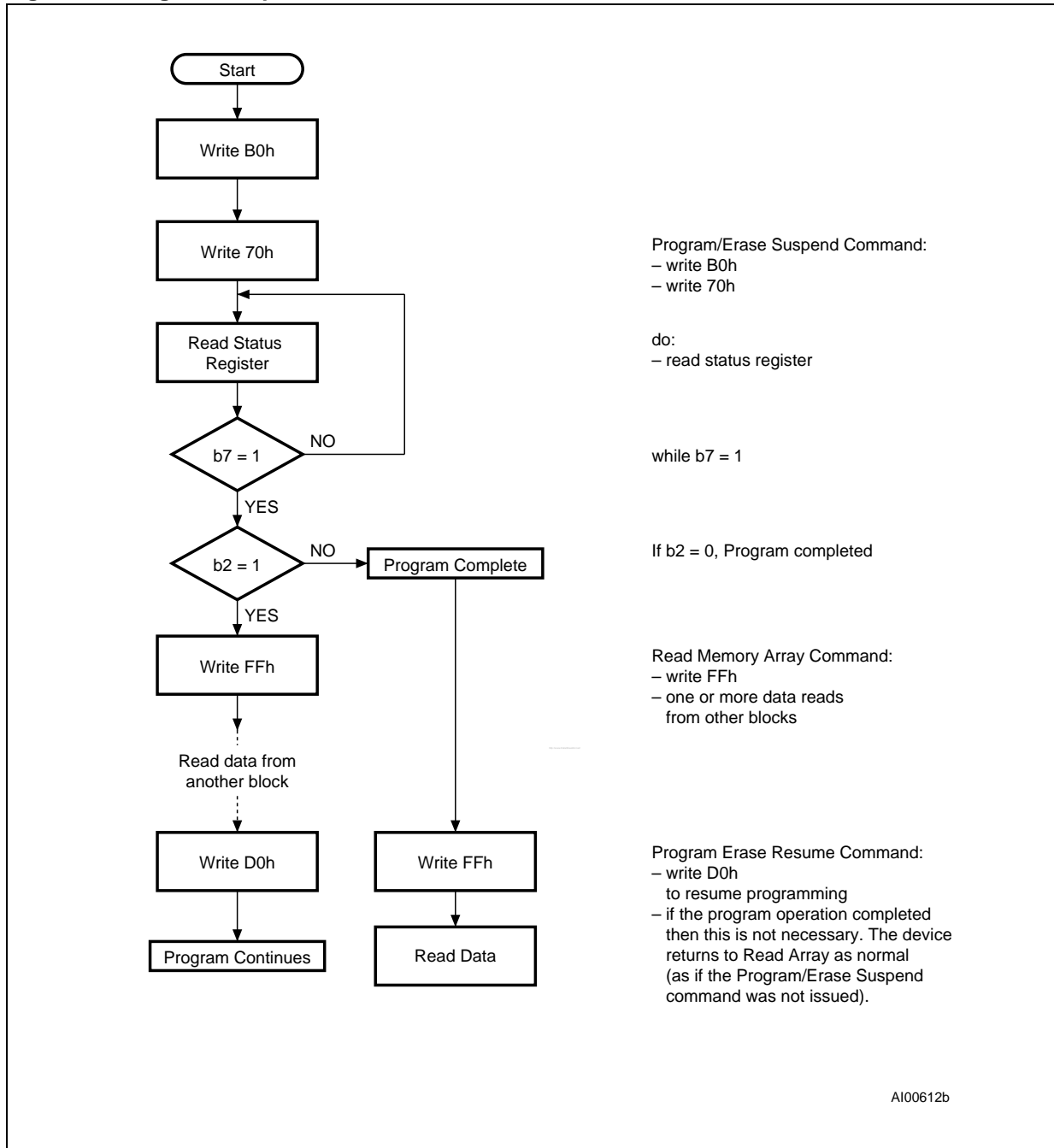
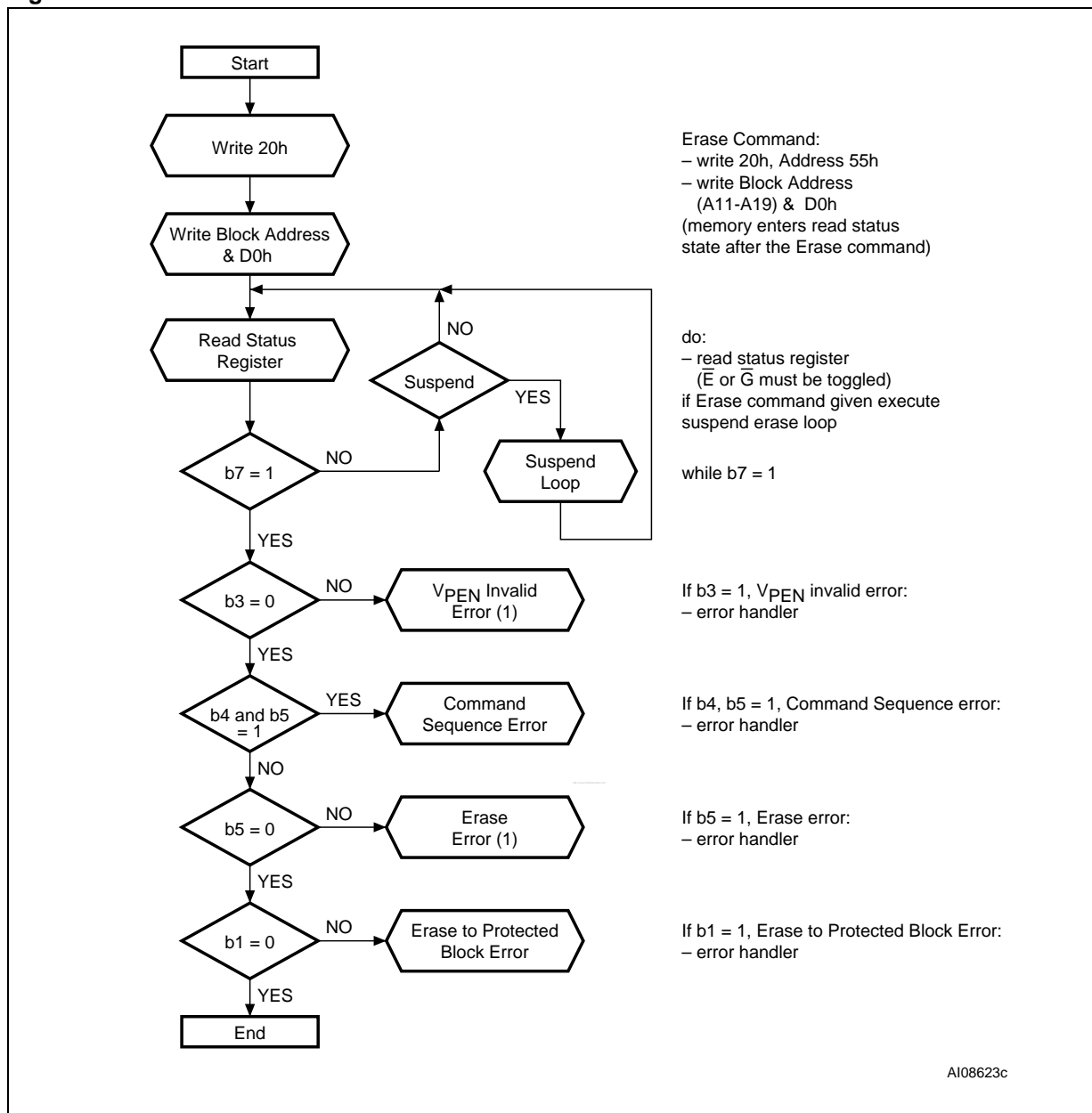


Figure 22. Block Erase Flowchart and Pseudo Code



Note: 1. If an error is found, the Status Register must be cleared before further P/E operations.



Figure 23. Erase Suspend & Resume Flowchart and Pseudo Code

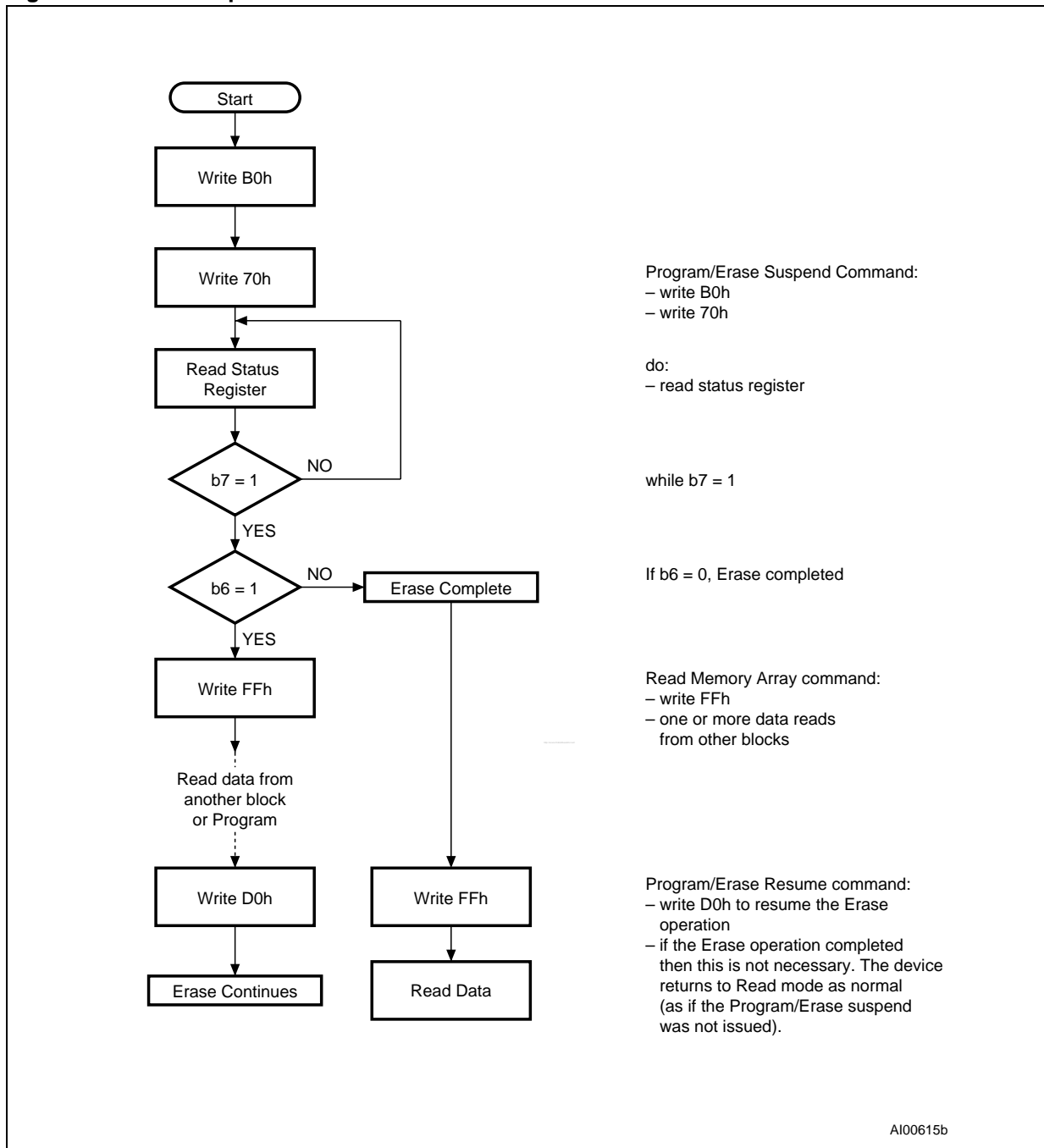
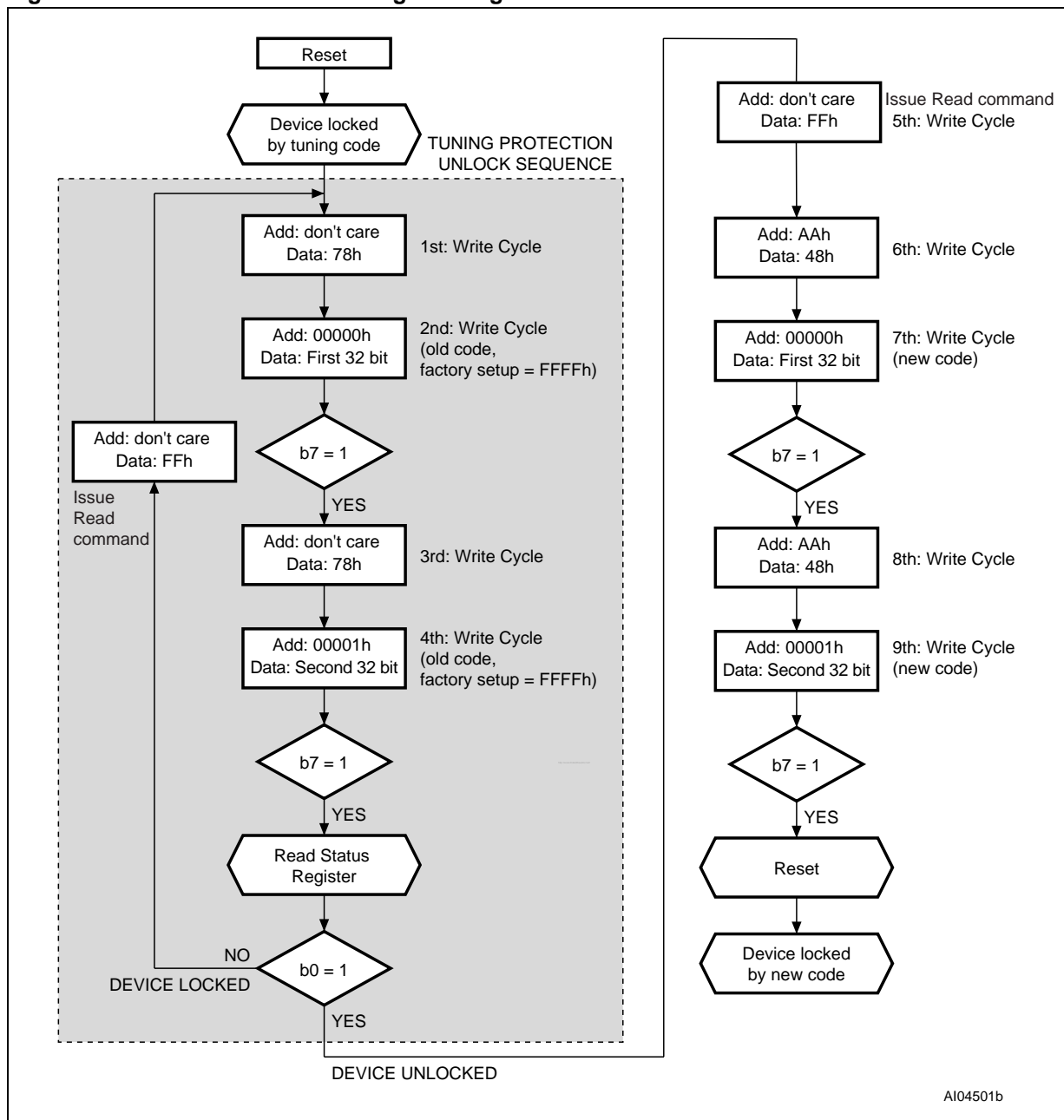
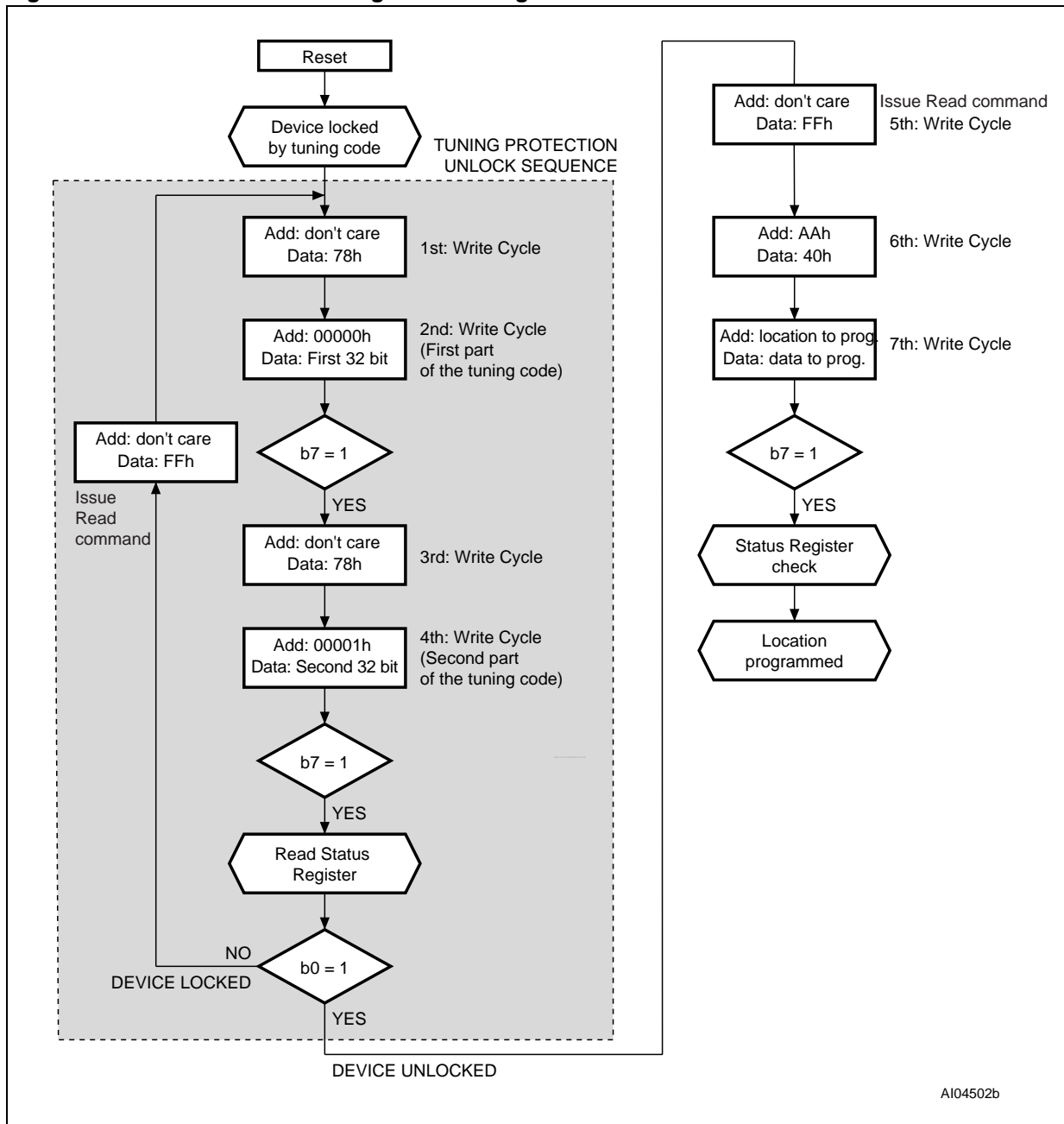


Figure 24. Unlock Device and Change Tuning Protection Code Flowchart



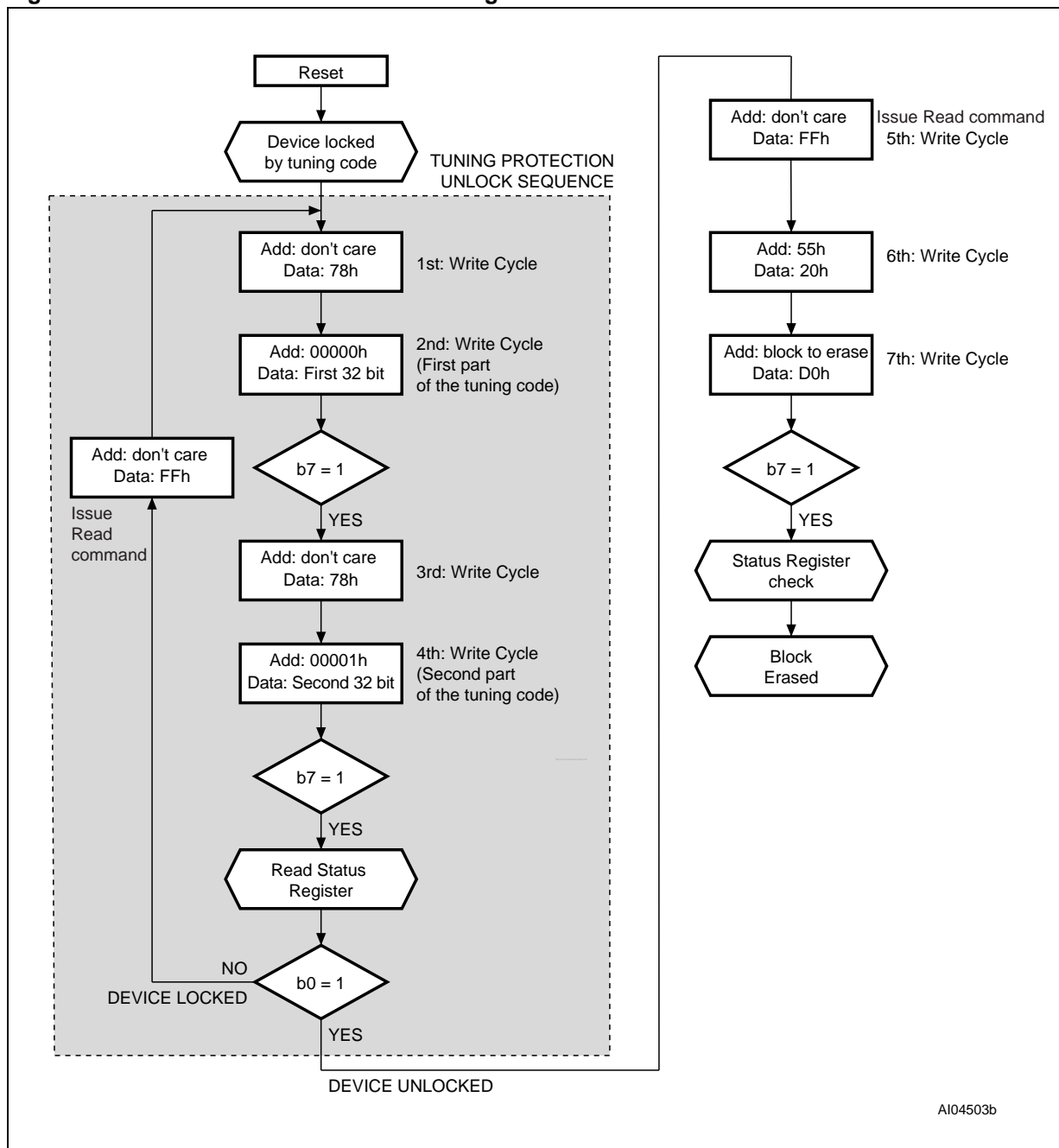
AI04501b

Figure 25. Unlock Device and Program a Tuning Protected Block Flowchart



A104502b

Figure 26. Unlock Device and Erase a Tuning Protected Block Flowchart



A104503b

Figure 27. Power-up Sequence to Burst the Flash

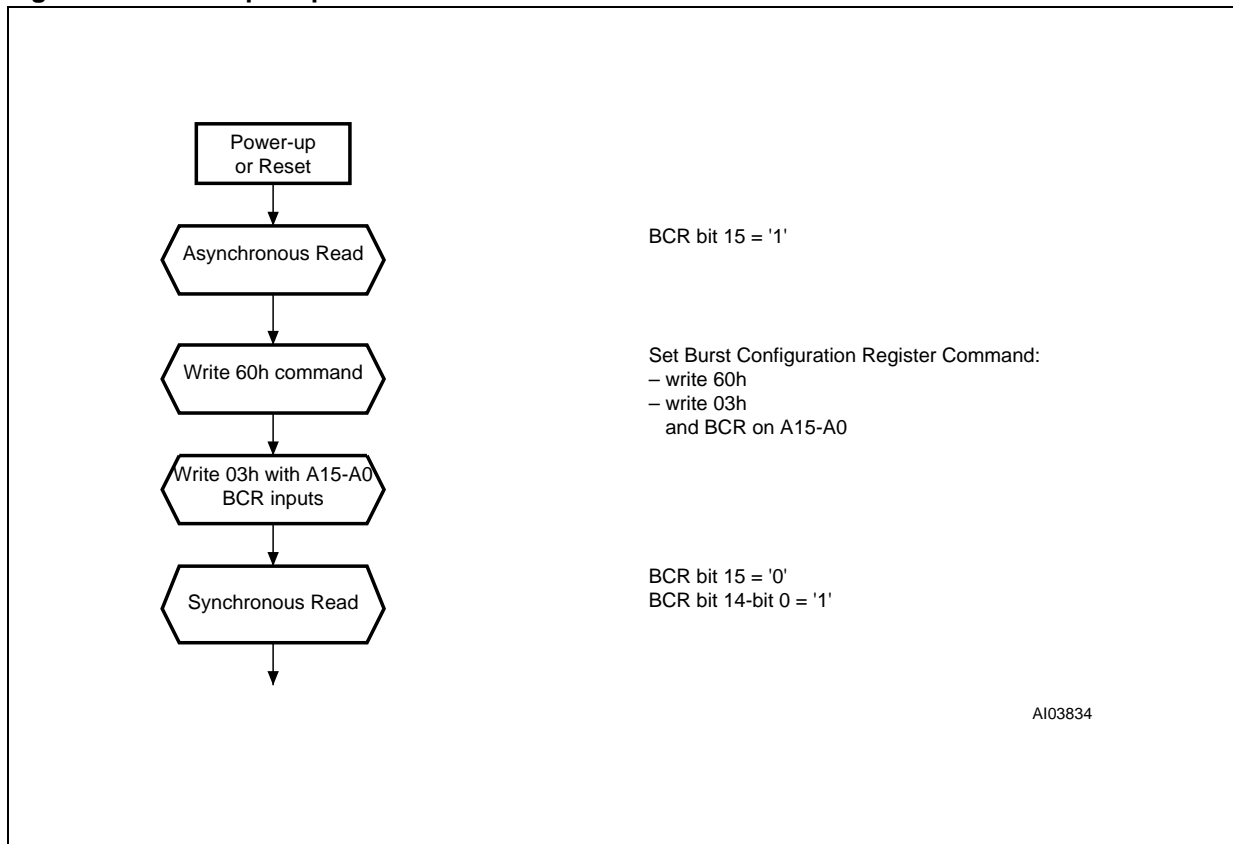
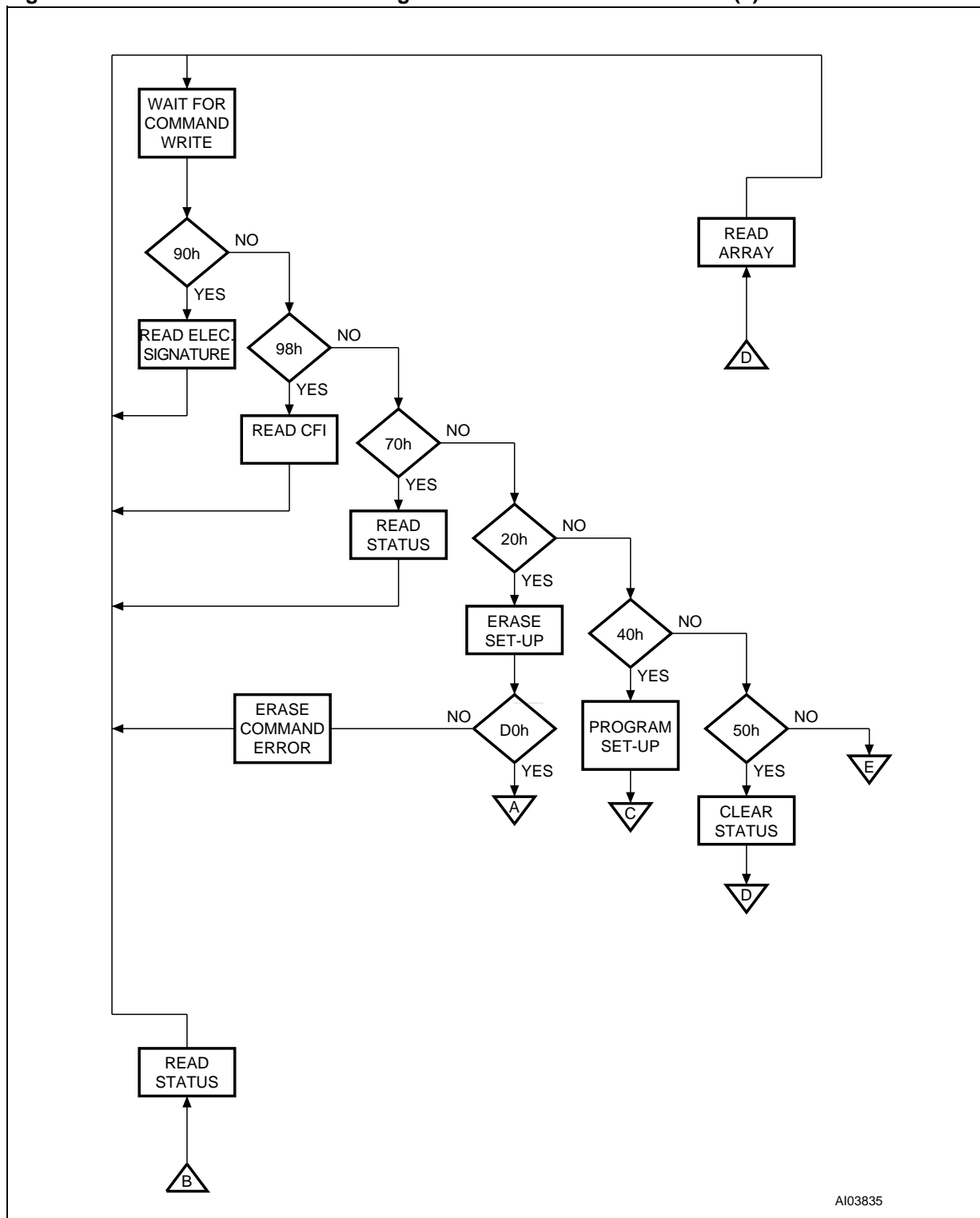
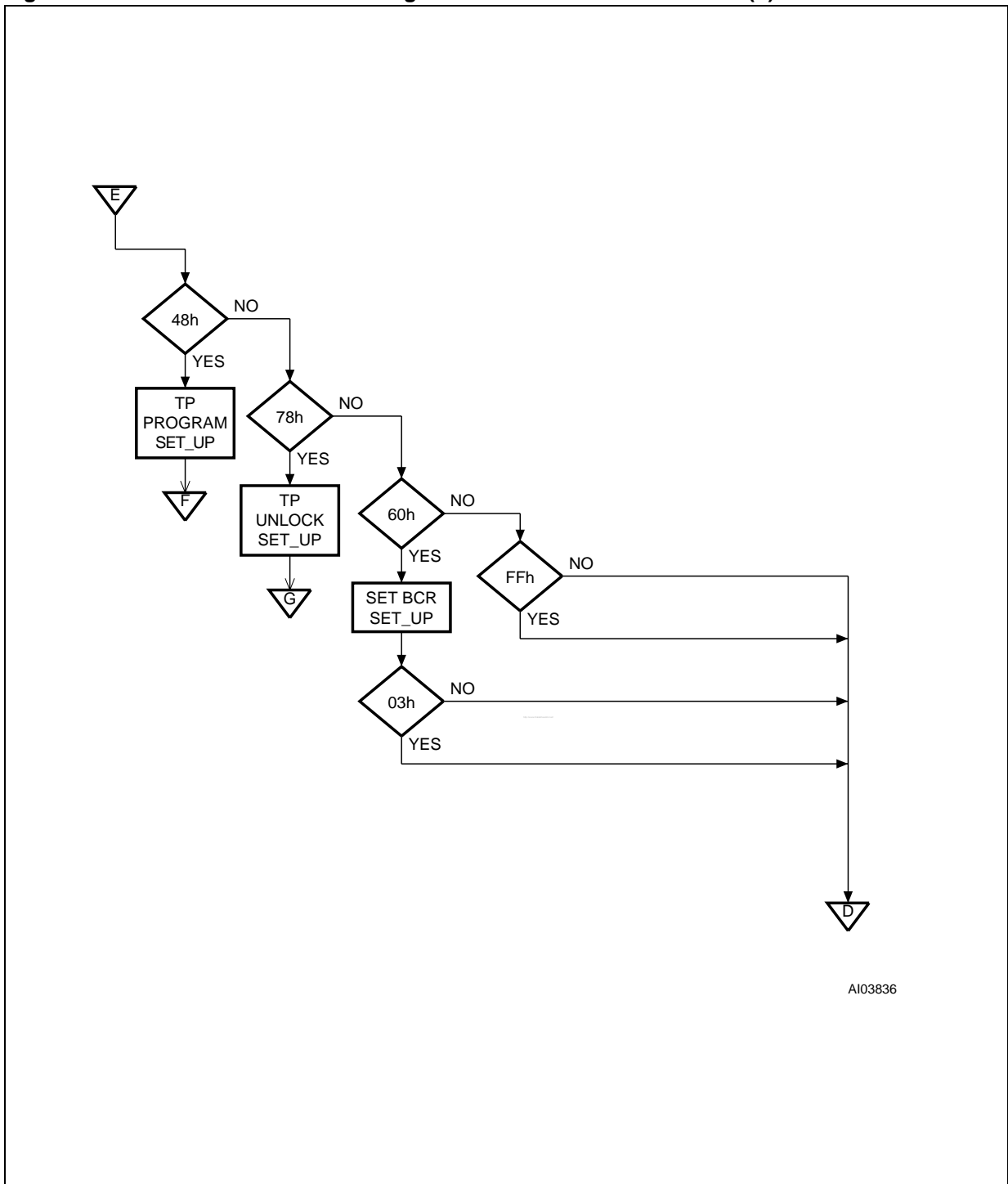


Figure 28. Command Interface and Program Erase Controller Flowchart (a)



AI03835

Figure 29. Command Interface and Program Erase Controller Flowchart (b)



A103836

Figure 30. Command Interface and Program Erase Controller Flowchart (c)

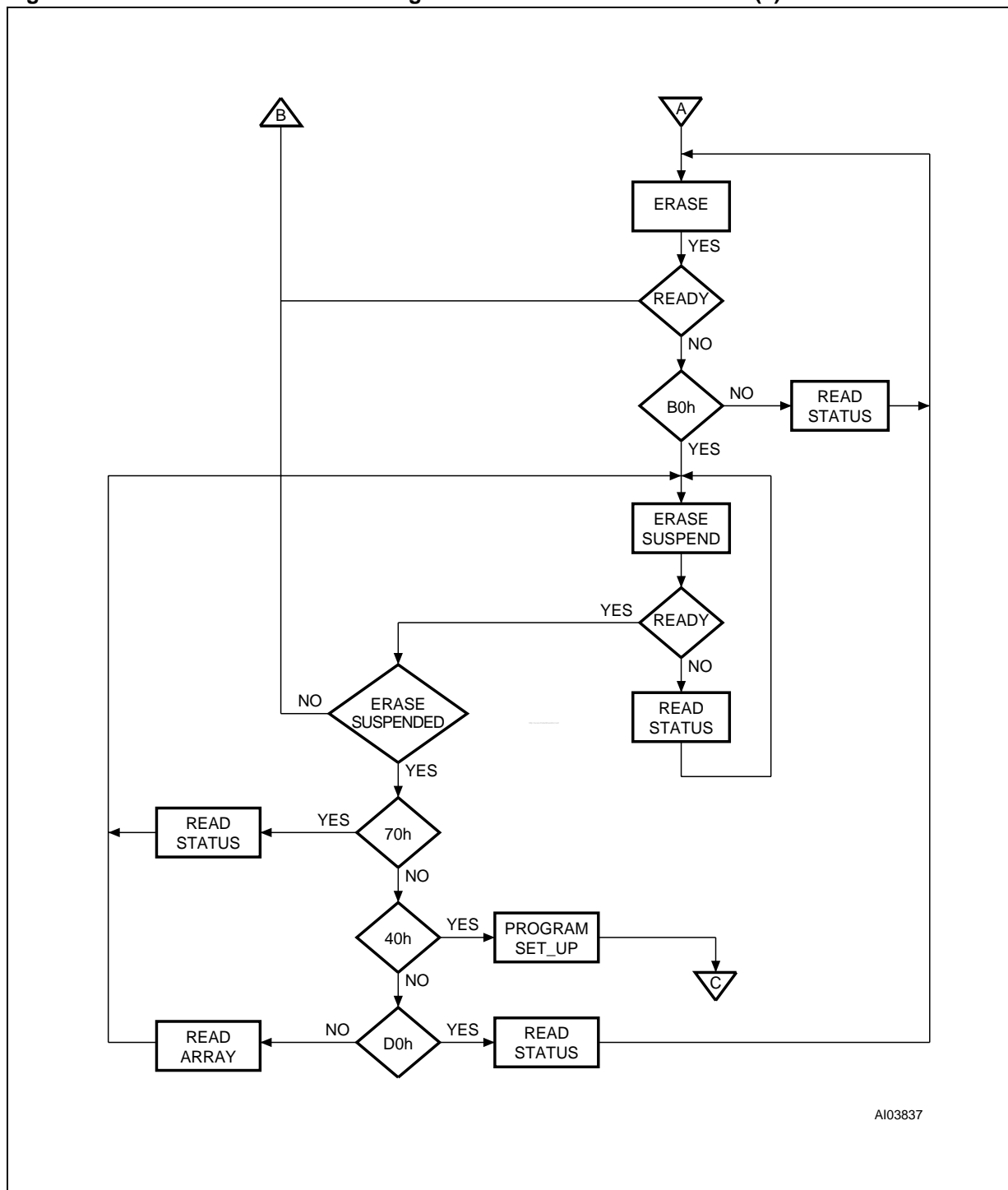
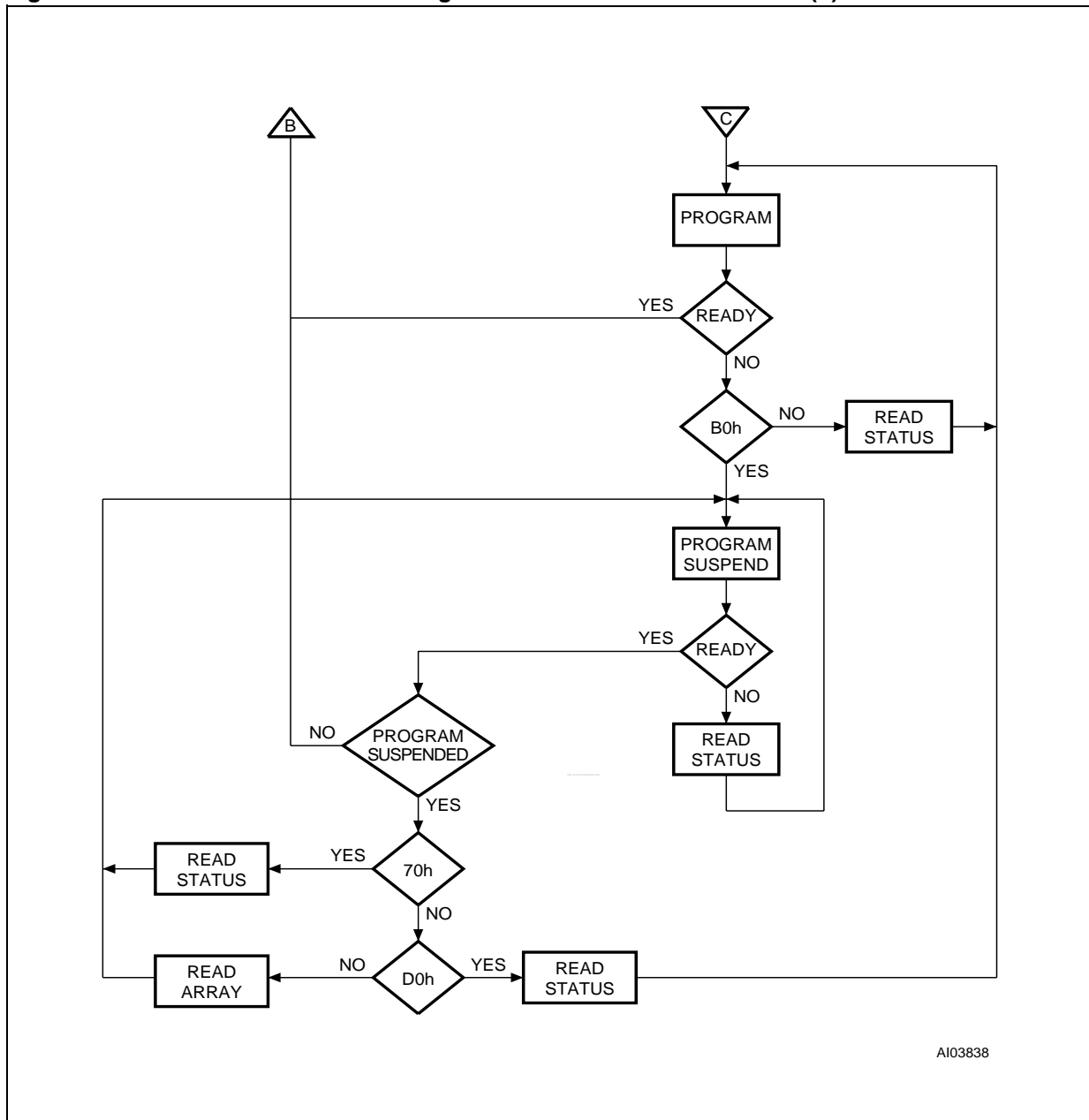


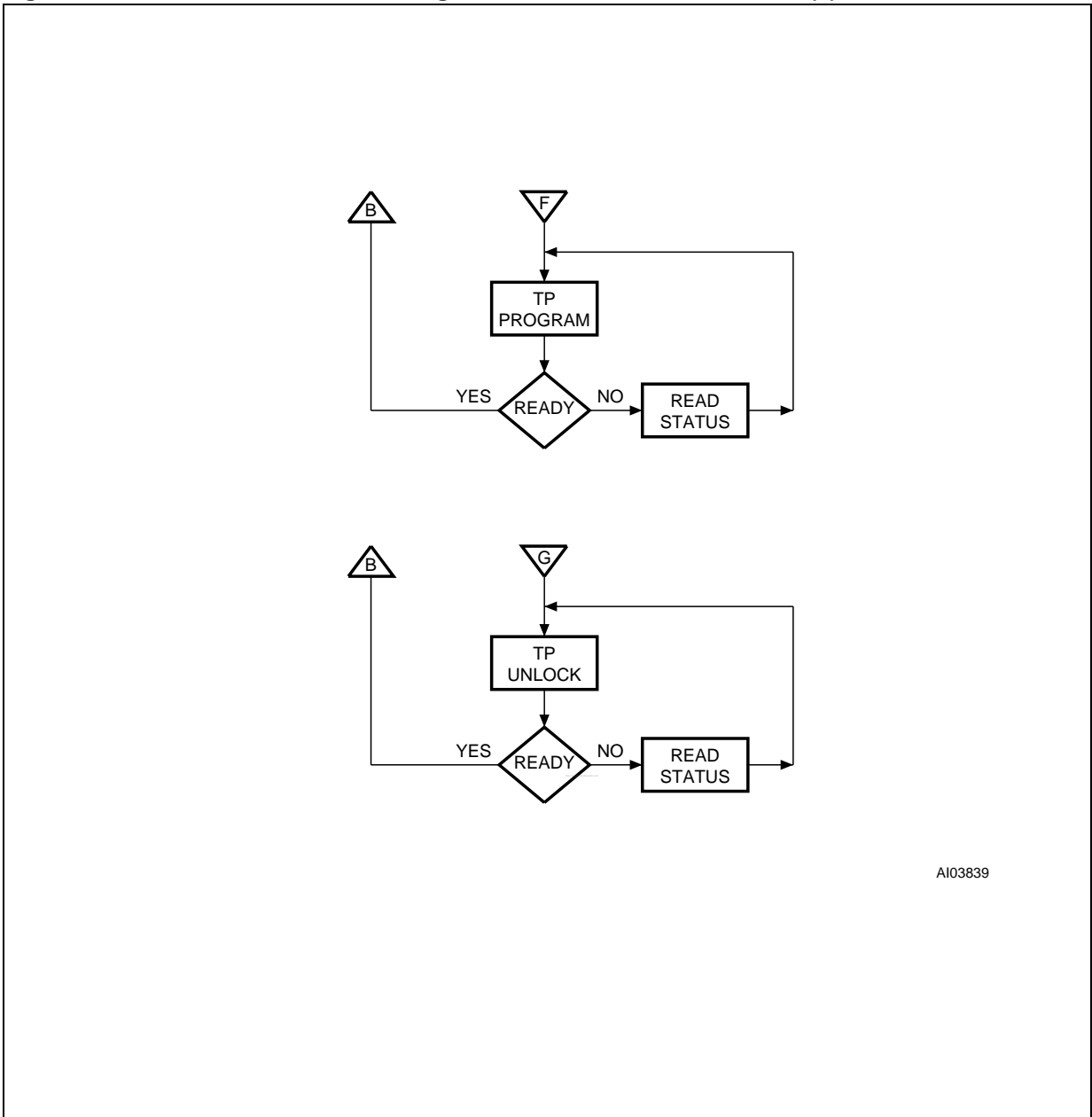


Figure 31. Command Interface and Program Erase Controller Flowchart (d)



AI03838

Figure 32. Command Interface and Program Erase Controller Flowchart (e)



AI03839

## REVISION HISTORY

Table 25. Document Revision History

Date	Version	Revision Details
20-Oct-2003	1.0	First Issue.
21-Oct-2003	1.1	Figure 7, AC Measurement Load Circuit modified. I <sub>DB</sub> test condition updated in Table 5, DC Characteristics.
20-Nov-2003	1.2	Bit M3 no longer reserved, described in <a href="#">Burst Configuration Register</a> section. Minor text changes. Program and Erase Suspend Latency Times added to <a href="#">Table 10.</a> , <a href="#">Program, Erase Times and Program Erase Endurance Cycles</a> .
27-Apr-2004	2.0	A19 added in <a href="#">Figure 4.PQFP Connections (Top view through package)</a> . <a href="#">Table 6.Burst Configuration Register</a> , Note 1 updated.
30-July-2004	3.0	DQ8-DQ15 and R signal names updated in <a href="#">Table 1.</a> , <a href="#">Signal Names</a> . Description of <a href="#">Valid Data Ready (R)</a> .signal updated. <a href="#">Burst Length Bit (M2-M0)</a> .paragraph updated in <a href="#">Burst Configuration Register</a> section. X-Latency of 8 clock cycles added in <a href="#">Table 6.</a> , <a href="#">Burst Configuration Register COMMAND INTERFACE</a> section: Erase All Main Blocks command added, <a href="#">Read Electronic Signature Command</a> , <a href="#">Read Status Register Command</a> , <a href="#">Write to Buffer and Program Command</a> , <a href="#">Set Block Protection Configuration Register Command</a> and <a href="#">Clear Block Protection Configuration Register Command</a> . updated. Erase All Main Blocks command added, Write to Buffer and Program, Set Burst Configuration Register, Set and Clear Block Protection commands updated in <a href="#">Table 8.</a> , <a href="#">Commands</a> . Standby Status removed from <a href="#">Table 9.</a> , <a href="#">Read Electronic Signature</a> . Definition of bit 4 updated in <a href="#">STATUS REGISTER</a> section. t <sub>QVKH</sub> removed from <a href="#">Figure 13.</a> , <a href="#">Synchronous Burst Read (Data Valid from 'n' Clock Rising Edge)</a> .
05-Nov-2004	4.0	Datasheet status changed to Preliminary Data.

Information furnished is believed to be accurate and reliable. However, STMicroelectronics assumes no responsibility for the consequences of use of such information nor for any infringement of patents or other rights of third parties which may result from its use. No license is granted by implication or otherwise under any patent or patent rights of STMicroelectronics. Specifications mentioned in this publication are subject to change without notice. This publication supersedes and replaces all information previously supplied. STMicroelectronics products are not authorized for use as critical components in life support devices or systems without express written approval of STMicroelectronics.

The ST logo is a registered trademark of STMicroelectronics.  
All other names are the property of their respective owners

© 2004 STMicroelectronics - All rights reserved

STMicroelectronics group of companies

Australia - Belgium - Brazil - Canada - China - Czech Republic - Finland - France - Germany - Hong Kong - India - Israel - Italy - Japan -  
Malaysia - Malta - Morocco - Singapore - Spain - Sweden - Switzerland - United Kingdom - United States of America  
[www.st.com](http://www.st.com)