

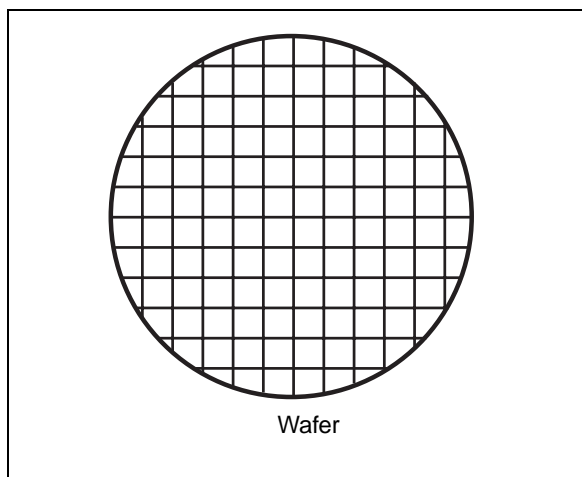


M58PR256LE M58PR512LE M58PR001LE

256-Mbit, 512-Mbit or 1-Gbit (× 16, multiple bank, multilevel, burst)
1.8 V supply Flash memories

Features

- Supply voltage
 - $V_{DD} = 1.7\text{ V to }2.0\text{ V}$ for program, erase and read
 - $V_{DDQ} = 1.7\text{ V to }2.0\text{ V}$ for I/O buffers
 - $V_{PP} = 9\text{ V}$ for fast program
- Synchronous/asynchronous read
 - Synchronous burst read mode: 108 MHz, 66 MHz
 - Asynchronous page read mode
 - Random access: 96 ns
- Programming time
 - 4.2 μs typical word program time using Buffer Enhanced Factory Program command
- Memory organization
 - Multiple bank memory array:
 - 32 Mbit banks (256 Mb devices)
 - 64 Mbit banks (512 Mb devices)
 - 128 Mbit banks (1 Gb devices)
 - Four EFA (extended flash array) blocks of 64 Kbits
- Dual operations
 - Program/erase in one bank while read in others
 - No delay between read and write operations
- Block locking
 - All blocks locked at power-up
 - Any combination of blocks can be locked with zero latency
 - \overline{WP} for block lock-down
 - Absolute Write protection with $V_{PP} = V_{SS}$
- Security
 - 64 bit unique device number
 - 2112 bit user programmable OTP cells
- CFI (common Flash interface)
- 100 000 program/erase cycles per block
- Electronic signature
 - Manufacturer code: 20h
 - 256 Mbit device: 8818
 - 512 Mbit device: 8819
 - 1 Gbit device: 880F



The M58PRxxxLE memories are only available as part of a multichip package device.

Contents

1	Description	9
2	Signal descriptions	15
2.1	Address inputs (A0-Amax)	15
2.2	Data inputs/outputs (DQ0-DQ15)	15
2.3	Chip Enable (\bar{E})	15
2.4	Output Enable (\bar{G})	15
2.5	Write Enable (\bar{W})	15
2.6	Write Protect (\bar{WP})	15
2.7	Reset (\bar{RP})	16
2.8	Deep power-down (DPD)	16
2.9	Latch Enable (\bar{L})	16
2.10	Clock (K)	16
2.11	Wait (WAIT)	16
2.12	V _{DD} supply voltage	17
2.13	V _{DDQ} supply voltage	17
2.14	V _{PP} program supply voltage	17
2.15	V _{SS} ground	17
2.16	V _{SSQ} ground	17
3	Bus operations	18
3.1	Bus Read	18
3.2	Bus Write	18
3.3	Address Latch	18
3.4	Output Disable	18
3.5	Standby	19
3.6	Reset	19
3.7	Deep power-down (DPD)	19
4	Command interface	21
4.1	Read Array command	22
4.2	Read Status Register command	22

4.3	Read Electronic Signature command	23
4.4	Read CFI Query command	23
4.5	Clear Status Register command	24
4.6	Block Erase command	24
4.7	Program command	25
4.8	Buffer Program command	26
4.9	Buffer Enhanced Factory Program command	27
4.9.1	Setup phase	27
4.9.2	Program and verify phase	28
4.9.3	Exit phase	28
4.10	Program/Erase Suspend command	29
4.11	Program/Erase Resume command	30
4.12	Protection Register Program command	30
4.13	Set Configuration Register command	31
4.14	Block Lock command	31
4.15	Block Unlock command	31
4.16	Block Lock-down command	32
4.17	Blank Check command	32
4.18	Set Enhanced Configuration Register command	33
4.19	Read EFA Block command	33
4.20	Program EFA Block command	34
4.21	Erase EFA Block command	34
4.22	Suspend EFA Block command	35
4.23	Resume EFA Block command	36
4.24	Lock EFA Block command	36
4.25	Unlock EFA Block command	37
4.26	Lock-down EFA Block command	37
5	Program operations	41
5.1	Program regions	41
5.2	Program modes	42
5.2.1	Control program mode	42
5.2.2	Object program mode	42
5.3	Program methods	43

5.3.1	Single word program method	44
5.3.2	Buffer program method	44
5.3.3	Buffer enhanced factory program method	45
6	Status Register	46
6.1	Control program mode status bit (SR9)	46
6.2	Object program mode status bit (SR8)	47
6.3	Program/Erase Controller status bit (SR7)	47
6.4	Erase suspend status bit (SR6)	47
6.5	Erase status bit (SR5)	48
6.6	Program status bit (SR4)	48
6.7	V _{PP} status bit (SR3)	48
6.8	Program Suspend Status bit (SR2)	49
6.9	Block protection status bit (SR1)	49
6.10	Bank write/multiple word program status bit (SR0)	49
7	Configuration Register	51
7.1	Read select bit (CR15)	51
7.2	X latency bits (CR14-CR11)	51
7.3	Wait polarity bit (CR10)	52
7.4	Wait configuration bit (CR8)	52
7.5	Burst length bits (CR2-CR0)	52
8	Enhanced Configuration Register	56
8.1	Deep power-down mode bit (ECR15)	56
8.2	Deep power-down polarity bit (ECR14)	56
8.3	Output driver control bits (ECR2-ECR0)	56
9	Extended Flash array (EFA)	58
10	Read modes	59
10.1	Asynchronous read mode	59
10.2	Synchronous burst read mode	60
10.3	Single synchronous read mode	60

11	Dual operations and multiple bank architecture	61
12	Block locking	63
	12.1 Reading a block's lock status	63
	12.2 Locked state	63
	12.3 Unlocked state	63
	12.4 Lock-down state	64
	12.5 Locking operations during erase suspend	64
13	Program and erase times and endurance cycles	66
14	Maximum ratings	68
15	DC and AC parameters	69
16	Part numbering	85
Appendix A	Block address tables	86
Appendix B	Common Flash interface	92
Appendix C	Flowcharts and pseudocodes	102
Appendix D	Command interface state tables	111
17	Revision history	118

List of tables

Table 1.	Signal names	11
Table 2.	M58PR256LE bank architecture	12
Table 3.	M58PR512LE bank architecture	12
Table 4.	M58PR001LE bank architecture	12
Table 5.	EFA memory map	13
Table 6.	Bus operations	20
Table 7.	Command codes	21
Table 8.	Standard commands	38
Table 9.	Factory Program command	39
Table 10.	Electronic signature codes	39
Table 11.	Protection Register locks	40
Table 12.	Program methods available with each program mode	45
Table 13.	Relationships between program methods and program modes	45
Table 14.	Status Register bits	50
Table 15.	X latency settings	52
Table 16.	Configuration Register	53
Table 17.	Burst type definition	54
Table 18.	Enhanced Configuration Register	57
Table 19.	Dual operations allowed in other banks	61
Table 20.	Dual operations allowed in same bank	62
Table 21.	Dual operation limitations	62
Table 22.	Lock status	65
Table 23.	Program/erase times and endurance cycles	66
Table 24.	Absolute maximum ratings	68
Table 25.	Operating and AC measurement conditions	69
Table 26.	Capacitance	70
Table 27.	DC characteristics - currents	71
Table 28.	DC characteristics - voltages	72
Table 29.	Asynchronous read AC characteristics	75
Table 30.	Synchronous read AC characteristics	78
Table 31.	Write AC characteristics, write enable controlled	80
Table 32.	Write AC characteristics, Chip Enable controlled	82
Table 33.	Reset and power-up AC characteristics	83
Table 34.	Deep power-down AC characteristics	84
Table 35.	Ordering information scheme	85
Table 36.	M58PR256LE - bank base addresses	87
Table 37.	M58PR512LE - bank base addresses	87
Table 38.	M58PR001LE - bank base addresses	87
Table 39.	M58PR256LE - block addresses	88
Table 40.	M58PR512LE - block addresses	89
Table 41.	M58PR001LE - block addresses	90
Table 42.	Query structure overview	92
Table 43.	CFI query identification string	93
Table 44.	CFI query system interface information	94
Table 45.	Device geometry definition	95
Table 46.	Primary algorithm-specific extended query table	96
Table 47.	Protection Register information	97
Table 48.	Burst Read information	97

M58PR256LE, M58PR512LE, M58PR001LE**List of tables**

Table 49.	Bank and erase block region information	98
Table 50.	Bank and erase block region 1 information	98
Table 51.	Extended Flash array bank and erase block region information.	99
Table 52.	Extended Flash array bank and erase block region 1 information	100
Table 53.	Command interface states - modify table, next state 1.	111
Table 54.	Command interface states - modify table, next state 2.	113
Table 55.	Command interface states - modify table, next output 1	115
Table 56.	Command interface states - modify table, next output 2	116
Table 57.	Document revision history	118

List of figures

Figure 1.	Logic diagram	11
Figure 2.	Memory map	13
Figure 3.	Main array architecture	14
Figure 4.	Protection Register memory map	40
Figure 5.	Program regions configured in control or object program mode.	43
Figure 6.	X latency and data output configuration example.	54
Figure 7.	Wait configuration example	55
Figure 8.	AC measurement I/O waveform	69
Figure 9.	AC measurement load circuit	70
Figure 10.	Asynchronous random access read AC waveforms	73
Figure 11.	Asynchronous page read AC waveforms	74
Figure 12.	Synchronous burst read AC waveforms	76
Figure 13.	Single synchronous read AC waveforms	77
Figure 14.	Clock input AC waveform	77
Figure 15.	Write AC waveforms, write enable controlled.	79
Figure 16.	Write AC waveforms, Chip Enable controlled.	81
Figure 17.	Reset and power-up AC waveforms	83
Figure 18.	Deep power-down AC waveforms	84
Figure 19.	Reset during deep power-down AC waveforms	84
Figure 20.	Program and EFA block program flowchart and pseudocode	102
Figure 21.	Buffer program flowchart and pseudocode.	103
Figure 22.	Program suspend and resume flowchart and pseudocode	104
Figure 23.	Block erase and EFA block erase flowchart and pseudocode	105
Figure 24.	Erase suspend and resume flowchart and pseudocode.	106
Figure 25.	Main array and EFA locking operations flowchart and pseudocode.	107
Figure 26.	Blank check flowchart and pseudocode	108
Figure 27.	Protection Register program flowchart and pseudocode	109
Figure 28.	Buffer enhanced factory program flowchart and pseudocode	110

1 Description

The M58PR256LE, M58PR512LE and M58PR001LE are 256 Mbit (16 Mbit x 16), 512 Mbit (32 Mbit x 16) and 1 Gbit (64 Mbit x 16) non-volatile Flash memories. They are referred to as M58PRxxxLE in the rest of the document, unless otherwise specified.

The M58PRxxxLE may be erased electrically at block level and programmed in-system on a word-by-word basis using a 1.7 V to 2.0 V V_{DD} supply for the circuitry and a 1.7 V to 2.0 V V_{DDQ} supply for the input/output pins. An optional 9 V V_{PP} power supply is provided to speed up factory programming.

The M58PRxxxLE has a uniform block architecture and is based on a multilevel cell technology:

- The M58PR256LE has an array of 128 blocks, and is divided into 32 Mbit banks. There are 8 banks each containing 16 blocks of 128 KWords.
- The M58PR512LE has an array of 256 blocks, and is divided into 64 Mbit banks. There are 8 banks each containing 32 blocks of 128 KWords.
- The M58PR001LE has an array of 512 blocks, and is divided into 128 Mbit banks. There are 8 banks each containing 64 blocks of 128 KWords.

Each block contains 256 program regions of 1 Kbyte each, that are divided into 32 segments of 16 words. Each segment is split into two halves (A and B), according to the value on address input A3.

The memory map is illustrated in [Figure 2](#) and the main array architecture in [Figure 3](#).

The multiple bank architecture allows dual operations. While programming or erasing in one bank, read operations are possible in other banks. Only one bank at a time is allowed to be in program or erase mode. It is possible to perform burst reads that cross bank boundaries. The bank architecture is summarized in [Table 2](#), and the memory maps are shown in [Figure 2](#).

Each block can be erased separately. Erase can be suspended to perform a program or read operation in any other block, and then resumed. Program can be suspended to read data at any memory location except for the one being programmed, and then resumed. Each block can be programmed and erased over 100 000 cycles using the supply voltage V_{DD} . There is a buffer enhanced factory programming command available to speed up programming.

Program and erase commands are written to the command interface of the memory. An internal Program/Erase Controller takes care of the timings necessary for program and erase operations. The end of a program or erase operation can be detected and any error conditions identified in the Status Register. The command set required to control the memory is consistent with JEDEC standards.

The device supports synchronous burst read and asynchronous read from all blocks of the memory array; at power-up the device is configured for asynchronous read. In synchronous burst read mode, data is output on each clock cycle at frequencies of up to 108 MHz.

The device features an Automatic standby mode and deep power-down mode. When the bus is inactive during asynchronous read operations, the device automatically switches to automatic standby mode. In this state the power consumption is reduced to the standby value and the outputs are still driven.

Description**M58PR256LE, M58PR512LE, M58PR001LE**

The DPD (deep power-down) mode starts when the device is properly configured (ECR bit 15 is set) and the DPD signal is asserted. In DPD mode the device has the lowest power consumption.

The M58PRxxxLE features an instant, individual block locking scheme that allows any block to be locked or unlocked with no latency, enabling instant code and data protection. All blocks have three levels of protection. They can be locked and locked-down individually preventing any accidental programming or erasure. There is an additional hardware protection against program and erase. When $V_{PP} \leq V_{PPLK}$ all blocks are protected against program or erase. All blocks are locked at power-up.

In addition to the main memory array, the M58PRxxxLE features an extended flash array (EFA) divided into 4 blocks of 64 Kbits each.

The EFA blocks are accessed through a separate set of commands. The operations available in the EFA blocks are asynchronous read (in non-page mode), single word program, erase and block locking. See [Section 4: Command interface](#) for details of the EFA commands set.

See [Table 5](#) for an extended flash array memory map. [Table 19](#) and [Table 20](#) describe the simultaneous operations allowed in the EFA blocks and the main memory array.

The device includes 17 protection registers and 2 protection register locks, one for the first protection register and the other for the 16 OTP (one-time-programmable) protection registers of 128 bits each. The first protection register is divided into two areas: a 64-bit area containing a unique device number written by ST, and a 64-bit area one-time-programmable by the user. The user programmable area can be permanently protected. [Figure 4](#), shows the Protection Register memory map.

The memory is supplied with all the bits erased (set to '1').

Note: *The M58PRxxxLE memories are only available as part of a MCP (multichip package) device.*

Figure 1. Logic diagram

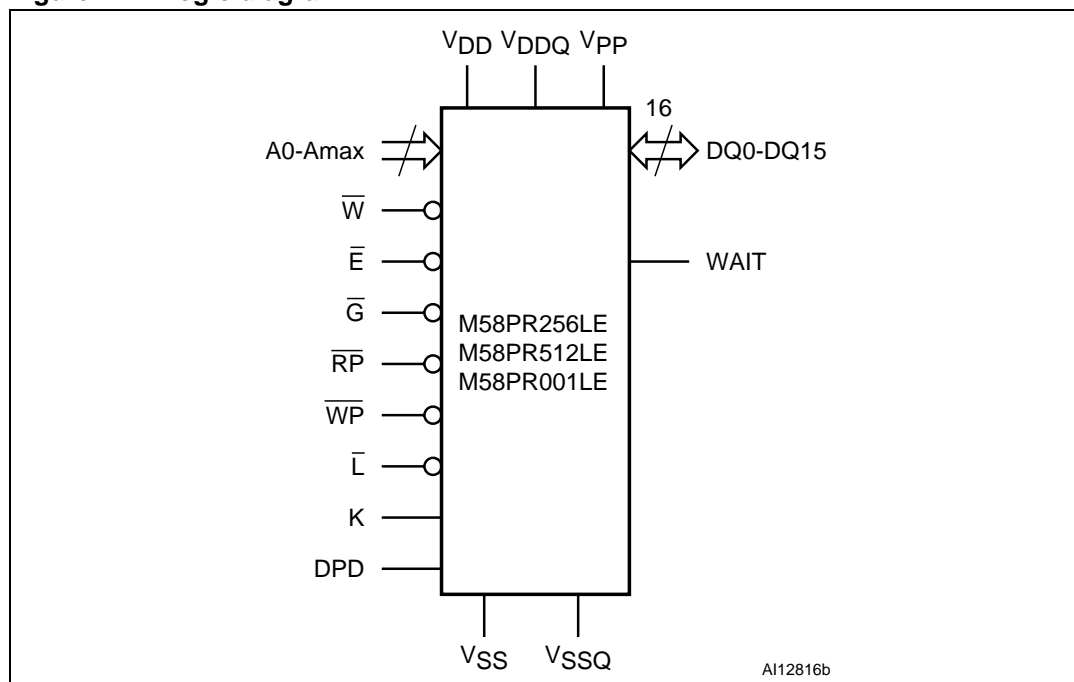


Table 1. Signal names

Signal name	Function	Direction
A0-Amax ⁽¹⁾	Address inputs	Inputs
DQ0-DQ15	Data input/outputs, command inputs	I/O
\bar{E}	Chip Enable	Input
\bar{G}	Output Enable	Input
\bar{W}	Write Enable	Input
$\bar{R}\bar{P}$	Reset	Input
$\bar{W}\bar{P}$	Write Protect	Input
K	Clock	Input
\bar{L}	Latch Enable	Input
WAIT	Wait	Output
DPD	Deep power-down	Input
V _{DD}	Supply voltage	
V _{DDQ}	Supply voltage for input/output buffers	
V _{PP}	Optional supply voltage for fast program and erase	
V _{SS}	Ground	
V _{SSQ}	Ground input/output supply	

1. Amax is equal to A23 in the M58PR256LE, to A24 in the M58PR512LE, and to A25 in the M58PR001LE.

Description

M58PR256LE, M58PR512LE, M58PR001LE

Table 2. M58PR256LE bank architecture

Number	Bank size	Blocks
Bank 0	32 Mbits	16 blocks of 128 KWords
Bank 1	32 Mbits	16 blocks of 128 KWords
Bank 2	32 Mbits	16 blocks of 128 KWords
⋮	⋮	⋮
Bank 7	32 Mbits	16 blocks of 128 KWords

Table 3. M58PR512LE bank architecture

Number	Bank size	Blocks
Bank 0	64 Mbits	32 blocks of 128 KWords
Bank 1	64 Mbits	32 blocks of 128 KWords
Bank 2	64 Mbits	32 blocks of 128 KWords
⋮	⋮	⋮
Bank 7	64 Mbits	32 blocks of 128 KWords

Table 4. M58PR001LE bank architecture

Number	Bank size	Blocks
Bank 0	128 Mbits	64 blocks of 128 KWords
Bank 1	128 Mbits	64 blocks of 128 KWords
Bank 2	128 Mbits	64 blocks of 128 KWords
⋮	⋮	⋮
Bank 7	128 Mbits	64 blocks of 128 KWords

Figure 2. Memory map

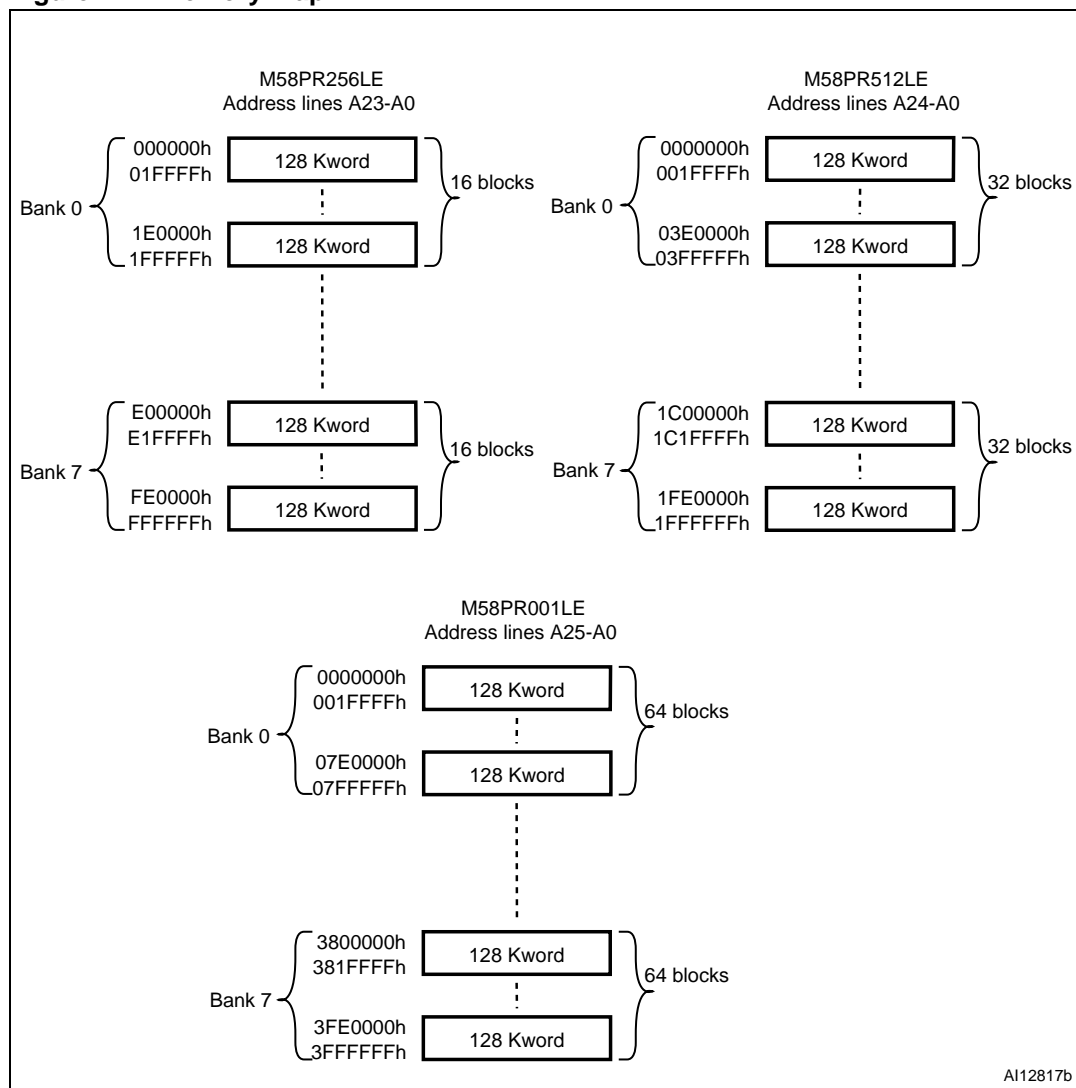
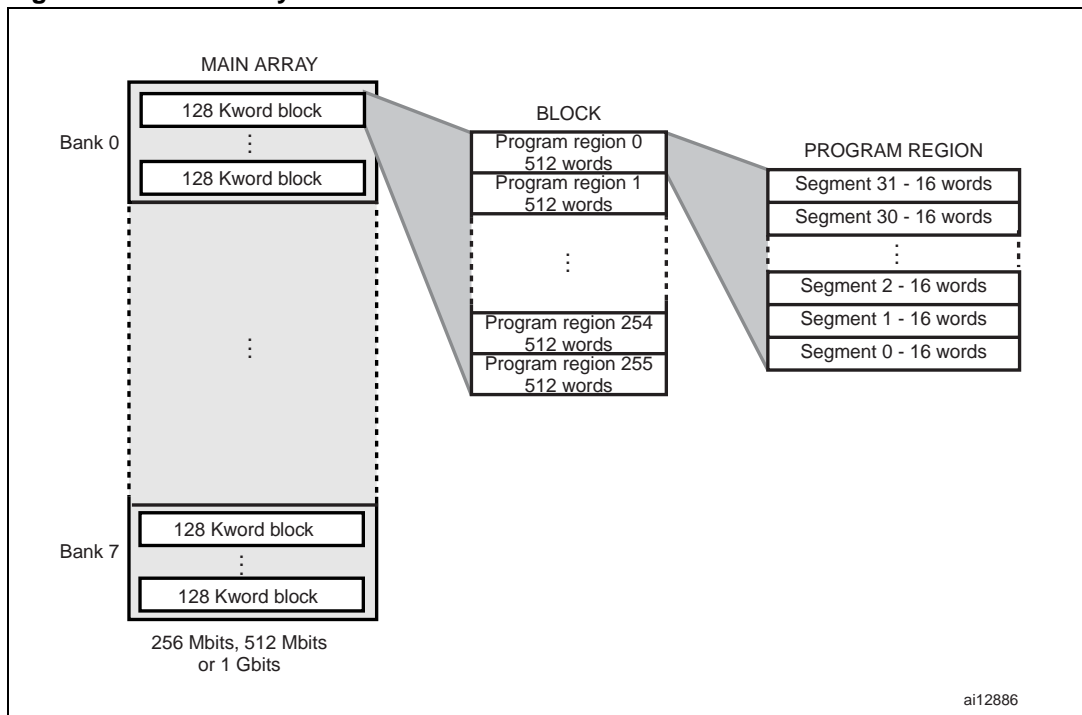


Table 5. EFA memory map

EFA block	Size	Address range
3	4 KWords (64 Kbits)	0003000 - 0003FFF
2	4 KWords (64 Kbits)	0002000 - 0002FFF
1	4 KWords (64 Kbits)	0001000 - 0001FFF
0	4 KWords (64 Kbits)	0000000 - 0000FFF

Figure 3. Main array architecture



2 Signal descriptions

See [Figure 1: Logic diagram](#) and [Table 1: Signal names](#), for a brief overview of the signals connected to this device.

2.1 Address inputs (A0-Amax)

Amax is the highest order address input. Amax is A23 in the M58PR256LE, A24 in the M58PR512LE, and A25 in the M58PR001LE. The address inputs select the cells in the memory array to access during bus read operations. During bus write operations they control the commands sent to the command interface of the Program/Erase Controller.

2.2 Data inputs/outputs (DQ0-DQ15)

The data I/O output the data stored at the selected address during a bus read operation or input a command or the data to be programmed during a bus write operation.

2.3 Chip Enable (\overline{E})

The Chip Enable input activates the memory control logic, input buffers, decoders and sense amplifiers. When Chip Enable is at V_{IL} and Reset is at V_{IH} the device is in active mode. When Chip Enable is at V_{IH} the memory is deselected, the outputs are high impedance and the power consumption is reduced to the standby level.

2.4 Output Enable (\overline{G})

The Output Enable input controls data outputs during the bus read operation of the memory.

2.5 Write Enable (\overline{W})

The Write Enable input controls the bus write operation of the memory's command interface. The data and address inputs are latched on the rising edge of Chip Enable or Write Enable, whichever occurs first.

2.6 Write Protect (\overline{WP})

Write Protect is an input that gives an additional hardware protection for each block. When Write Protect is at V_{IL} , the lock-down is enabled and the protection status of the locked-down blocks cannot be changed. When Write Protect is at V_{IH} , the lock-down is disabled and the locked-down blocks can be locked or unlocked (refer to [Table 22: Lock status](#)).

2.7 Reset ($\overline{\text{RP}}$)

The Reset input provides a hardware reset of the memory. When Reset is at V_{IL} , the memory is in reset mode, this means the outputs are high impedance and the current consumption is reduced to the reset supply current I_{DD2} . Refer to [Table 27: DC characteristics - currents](#) for the value of I_{DD2} . After Reset, all blocks are in the locked state and the Configuration Register is reset. When Reset is at V_{IH} , the device is in normal operation. Exiting reset mode the device enters asynchronous read mode, but a negative transition of Chip Enable or Latch Enable is required to ensure valid data outputs.

The Reset pin can be interfaced with 3 V logic without any additional circuitry, and can be tied to V_{RPH} (refer to [Table 28: DC characteristics - voltages](#)).

2.8 Deep power-down (DPD)

The deep power-down input is used to put the device in deep power-down mode.

When the device is in Standby mode and the Enhanced Configuration Register bit ECR15 is set, asserting the deep power-down input will cause the memory to enter the deep power-down mode.

When the device is in the deep power-down mode, the memory cannot be modified and the data is protected.

The polarity of the DPD pin is determined by ECR14. The deep power-down input is active Low by default.

2.9 Latch Enable ($\overline{\text{L}}$)

Latch Enable latches the address bits on its rising edge. The address latch is transparent when Latch Enable is at V_{IL} and it is inhibited when Latch Enable is at V_{IH} . Latch Enable can be kept Low (also at board level) when the Latch Enable function is not required or supported.

2.10 Clock (K)

The clock input synchronizes the memory to the microcontroller during synchronous read operations; the address is latched on a Clock edge when Latch Enable is at V_{IL} . Clock is ignored during asynchronous read and in write operations.

2.11 Wait (WAIT)

Wait is an output signal used during synchronous read to indicate whether the data on the output bus are valid. This output is high impedance when Chip Enable is at V_{IH} , Output Enable is at V_{IH} , or Reset is at V_{IL} . It can be configured to be active during the wait cycle or one data cycle in advance.

2.12 V_{DD} supply voltage

V_{DD} provides the power supply to the internal core of the memory device. It is the main power supply for all operations (Read, Program and Erase).

2.13 V_{DDQ} supply voltage

V_{DDQ} provides the power supply to the I/O pins and enables all outputs to be powered independently of V_{DD} . V_{DDQ} can be tied to V_{DD} or can use a separate supply.

V_{DDQ} is sampled at the beginning of program/erase operations. If V_{DDQ} is lower than V_{LKOQ} , the device is reset.

2.14 V_{PP} program supply voltage

V_{PP} is both a control input and a power supply pin. The two functions are selected by the voltage range applied to the pin.

If V_{PP} is kept in a low voltage range (0 V to V_{DDQ}) V_{PP} is seen as a control input. In this case a voltage lower than V_{PPLK} gives an absolute protection against program or erase, while $V_{PP} > V_{PP1}$ enables these functions (see Tables 27 and 28, DC characteristics for the relevant values). V_{PP} is only sampled at the beginning of a program or erase; a change in its value after the operation has started does not have any effect and program or erase operations continue.

If V_{PP} is in the range of V_{PPH} it acts as a power supply pin. In this condition V_{PP} must be stable until the program/erase algorithm is completed.

2.15 V_{SS} ground

V_{SS} ground is the reference for the core supply. It must be connected to the system ground.

2.16 V_{SSQ} ground

V_{SSQ} ground is the reference for the input/output circuitry driven by V_{DDQ} . V_{SSQ} must be connected to V_{SS} .

Note: Each device in a system should have V_{DD} , V_{DDQ} and V_{PP} decoupled with a 0.1 μF ceramic capacitor close to the pin (high frequency, inherently low inductance capacitors should be as close as possible to the package). See [Figure 9: AC measurement load circuit](#). The PCB track widths should be sufficient to carry the required V_{PP} program and erase currents.

3 Bus operations

There are seven standard bus operations that control the device. These are Bus Read, Bus Write, Address Latch, Output Disable, Standby, Reset and deep power-down. See [Table 6: Bus operations](#), for a summary.

Typically glitches of less than 5 ns on Chip Enable or Write Enable are ignored by the memory and do not affect bus write operations.

3.1 Bus Read

Bus Read operations are used to output the contents of the memory array, the Electronic signature, the Status Register and the common Flash interface. Both Chip Enable and Output Enable must be at V_{IL} in order to perform a read operation. The Chip Enable input should be used to enable the device. Output Enable should be used to gate data onto the output. The data read depends on the previous command written to the memory (see [Section 4: Command interface](#)). See figures [10](#), [11](#), [12](#) and [13](#), Read AC waveforms, and tables [29](#) and [30](#), Read AC characteristics, for details of when the output becomes valid.

3.2 Bus Write

Bus Write operations write commands to the memory or latch input data to be programmed. A Bus Write operation is initiated when Chip Enable and Write Enable are at V_{IL} with Output Enable at V_{IH} . Commands, input data and addresses are latched on the rising edge of Write Enable or Chip Enable, whichever occurs first. The addresses can also be latched prior to the Write operation by toggling Latch Enable. In this case the Latch Enable should be tied to V_{IH} during the Bus Write operation.

See figures [15](#) and [16](#), Write AC waveforms, and tables [31](#) and [32](#), Write AC characteristics, for details of the timing requirements.

3.3 Address Latch

Address Latch operations input valid addresses. Both Chip Enable and Latch Enable must be at V_{IL} during Address Latch operations. The addresses are latched on the rising edge of Latch Enable.

3.4 Output Disable

The outputs are high impedance when the Output Enable is at V_{IH} .

3.5 Standby

Standby disables most of the internal circuitry allowing a substantial reduction of the current consumption. The memory is in standby when Chip Enable and Reset are at V_{IH} . The power consumption is reduced to the standby level I_{DD3} and the outputs are set to high impedance, independently from the Output Enable or Write Enable inputs. If Chip Enable switches to V_{IH} during a program or erase operation, the device enters Standby mode when finished.

3.6 Reset

During Reset mode the memory is deselected and the outputs are high impedance. The memory is in Reset mode when Reset is at V_{IL} . The power consumption is reduced to the reset level, independently from the Chip Enable, Output Enable or Write Enable inputs. If Reset is pulled to V_{SS} during a Program or Erase, this operation is aborted and the memory content is no longer valid.

3.7 Deep power-down (DPD)

The memory enters the deep power-down mode from the Standby mode (\overline{RP} and \overline{E} are de-asserted, V_{IH}) by setting ECR15 High (set to '1') and asserting the DPD pin (these two events can be done in any order).

The DPD pin polarity is determined by the value of ECR14 when:

- ECR14 is cleared ('0') the DPD pin is active Low. The DPD pin is active Low by default.
- ECR14 is set ('1'), the DPD pin is active High.

While in DPD mode, the:

- Values of the Configuration Register, Enhanced Configuration Register, block lock bits, and bank states are preserved.
- Status Register is reset to 80h.

If the Status Register contains errors before entering the DPD mode, the error bits are lost after exiting DPD mode.

The device should not be put in deep power-down mode while a program, erase or suspend operation is in progress, otherwise the operation aborts, and the memory contents are no longer valid.

The deep power-down mode is exited t_{DPHEL} after de-asserting the DPD pin. Upon exiting the deep power-down mode, the memory reverts to standby mode.

If the \overline{RP} pin is asserted while in DPD mode, the device exits DPD mode after t_{PHEL} and ECR15 is reset to 0.

Table 6. Bus operations⁽¹⁾

Operation	\bar{E}	\bar{G}	\bar{W}	\bar{L}	$\bar{R}\bar{P}$	DPD ⁽²⁾	WAIT ⁽³⁾	DQ15-DQ0
Bus Read	V_{IL}	V_{IL}	V_{IH}	V_{IL} ⁽⁴⁾	V_{IH}	De-asserted ⁽⁵⁾		Data output
Bus Write	V_{IL}	V_{IH}	V_{IL}	V_{IL} ⁽⁴⁾	V_{IH}	De-asserted ⁽⁵⁾		Data input
Address Latch	V_{IL}	X	V_{IH}	V_{IL}	V_{IH}	De-asserted ⁽⁵⁾		Data output or Hi-Z ⁽⁶⁾
Output Disable	V_{IL}	V_{IH}	V_{IH}	X	V_{IH}	De-asserted ⁽⁵⁾	Hi-Z	Hi-Z
Standby	V_{IH}	X	X	X	V_{IH}	De-asserted ⁽⁵⁾	Hi-Z	Hi-Z
Reset	X	X	X	X	V_{IL}	De-asserted ⁽⁵⁾	Hi-Z	Hi-Z
Deep Power-down	V_{IH}	X	X	X	V_{IH}	Asserted ⁽⁷⁾	Hi-Z	Hi-Z

1. X = Don't care.
2. The DPD signal polarity depends on the value of the ECR14 bit.
3. WAIT signal polarity is configured using the Set Configuration Register command.
4. \bar{L} can be tied to V_{IH} if the valid address has been previously latched.
5. If ECR15 is set to '0', the device cannot enter the deep power-down mode, even if DPD is asserted.
6. Depends on \bar{G} .
7. ECR15 has to be set to '1' for the device to enter deep power-down.

4 Command interface

All bus write operations to the memory are interpreted by the command interface. Commands consist of one or more sequential bus write operations. An internal Program/Erase Controller handles all timings and verifies the correct execution of the program and erase commands. The Program/Erase Controller provides a Status Register, whose output may be read at any time to monitor the progress or the result of the operation.

The command interface is reset to read mode when power is first applied, when exiting from Reset, or whenever V_{DD} is lower than V_{LKO} . Command sequences must be followed precisely. Any invalid combination of commands are ignored.

Refer to [Table 7: Command codes](#), [Table 8: Standard commands](#), [Table 9: Factory Program command](#) for a summary of the command interface.

Table 7. Command codes

Hex code	Command
01h	Block Lock Confirm and EFA Block Lock Confirm
03h	Set Configuration Register Confirm
04h	Set Enhanced Configuration Register Confirm
20h	Block Erase Setup
24h	EFA Block Erase Setup
2Fh	Block Lock-down Confirm and EFA Block Lock-down Confirm
41h	Program Setup
44h	EFA Program Setup
50h	Clear Status Register
60h	Block Lock Setup, Block Unlock Setup, Block Lock-down Setup, Set Configuration Register Setup and Enhanced Configuration Register Setup
64h	EFA Block Lock, EFA Block Lock-down, EFA Block Unlock
70h	Read Status Register
80h	Buffer Enhanced Factory Program
90h	Read Electronic Signature
94h	Read EFA
98h	Read CFI query
B0h	Program/Erase Suspend
BCh	Blank Check Setup
C0h	Protection Register Program
D0h	Program/Erase Resume, Block Erase Confirm, Block Unlock Confirm or Buffer Program Confirm, Buffer Enhanced Factory Program Confirm, Blank Check Confirm, Unlock EFA Block Confirm, EFA Block Erase Confirm
E9h	Buffer Program
FFh	Read Array

4.1 Read Array command

The Read Array command returns the addressed bank to read array mode.

One bus write cycle is required to issue the Read Array command. Once a bank is in read array mode, subsequent read operations output the data from the memory array.

A Read Array command can be issued to any banks while programming or erasing in another bank.

If the Read Array command is issued to a bank currently executing a program or erase operation, the bank returns to read array mode but the program or erase operation continues. However, the data output from the bank is not guaranteed until the program or erase operation has finished. The read modes of other banks are not affected.

4.2 Read Status Register command

The device contains a Status Register that monitors program or erase operations.

The Read Status Register command reads the contents of the Status Register for the addressed bank.

One bus write cycle is required to issue the Read Status Register command. Once a bank is in read Status Register mode, subsequent read operations output the contents of the Status Register.

The Status Register data is latched on the falling edge of the Chip Enable or Output Enable signals. Either Chip Enable or Output Enable must be toggled to update the Status Register data.

The Read Status Register command can be issued at any time, even during program or erase operations. The Read Status Register command only changes the read mode of the addressed bank. The read modes of other banks are not affected. Only asynchronous read and single synchronous read operations should be used to read the Status Register. A Read Array command is required to return the bank to read array mode.

See [Table 14](#) for the description of the Status Register bits.

4.3 Read Electronic Signature command

The Read Electronic Signature command reads the manufacturer and device codes, the lock status of the addressed bank, the Protection Register, the Configuration Register, and the Enhanced Configuration Register.

One bus write cycle is required to issue the Read Electronic Signature command. Once a bank is in read electronic signature mode, subsequent read operations in the same bank output the manufacturer code, the device code, the lock status of the addressed bank, the Protection Register, the Configuration Register, or the Enhanced Configuration Register (see [Table 10](#)).

The Read Electronic Signature command can be issued at any time, even during program or erase operations, except during protection register program operations. Dual operations between the EFA and the electronic signature locations are not allowed (see [Table 21: Dual operation limitations](#) for details).

If a Read Electronic Signature command is issued to a bank that is executing a program or erase operation the bank goes into read electronic signature mode. Subsequent bus read cycles output the electronic signature data and the Program/Erase Controller continues to program or erase in the background.

The Read Electronic Signature command only changes the read mode of the addressed bank. The read modes of other banks are not affected. Only asynchronous read and single synchronous read operations should be used to read the electronic signature. A Read Array command is required to return the bank to read array mode.

4.4 Read CFI Query command

The Read CFI Query command is used to read data from the CFI (common Flash interface).

One bus write cycle is required to issue the Read CFI Query command. Once a bank is in read CFI query mode, subsequent bus read operations in the same bank output the contents of the CFI.

The Read CFI Query command can be issued at any time, even during program or erase operations.

If a Read CFI Query command is issued to a bank that is executing a program or erase operation the bank goes into read CFI query mode. Subsequent bus read cycles output the CFI data and the Program/Erase Controller continues to program or erase in the background.

The Read CFI Query command only changes the read mode of the addressed bank. The read modes of other banks are not affected. Only asynchronous read and single synchronous read operations should be used to read from the CFI. A Read Array command is required to return the bank to read array mode.

Dual operations between the EFA and the CFI memory space are not allowed (see [Table 21: Dual operation limitations](#) for details).

4.5 Clear Status Register command

The Clear Status Register command can be used to reset (set to '0') all error bits (SR1, SR3, SR4, SR5, SR8 and SR9) in the Status Register.

One bus write cycle is required to issue the Clear Status Register command. The Clear Status Register command does not affect the read mode of the bank.

The error bits in the Status Register do not automatically return to '0' when a new command is issued. The error bits in the Status Register should be cleared before attempting a new program or erase command.

4.6 Block Erase command

The Block Erase command erases a block. It sets all the bits within the selected block to '1', and all previous data in the block is lost.

If the block is protected then the erase operation aborts, the data in the block is not changed, and the Status Register outputs the error.

Two bus write cycles are required to issue the command.

- The first bus cycle sets up the Block Erase command.
- The second latches the block address and starts the Program/Erase Controller.

If the second bus cycle is not the block erase confirm code, Status Register bits SR4 and SR5 are set and the command is aborted.

Once the command is issued, the bank enters Read Status Register mode and any read operation within the addressed bank outputs the contents of the Status Register. A Read Array command is required to return the bank to read array mode.

During block erase operations the bank containing the block being erased only accepts the Read Array, Read Status Register, Read Electronic Signature, Read CFI Query and the Program/Erase Suspend command; all other commands are ignored.

The block erase operation aborts if Reset, \overline{RP} , goes to V_{IL} . As data integrity cannot be guaranteed when the block erase operation is aborted, the block must be erased again.

Refer to [Chapter 11](#) for detailed information about simultaneous operations allowed in banks not being erased.

Typical erase times are provided in [Table 23: Program/erase times and endurance cycles](#).

See [Appendix C, Figure 23: Block erase and EFA block erase flowchart and pseudocode](#) for a suggested flowchart for using the Block Erase command.

4.7 Program command

The Program command programs a single word to the memory array. It is supported only by program regions configured in control program mode. If a Program command is issued to a program region configured in object program mode, the program operation is aborted and the SR4 and SR8 Status Register bits are set (see [Section 5: Program operations](#)).

Two bus write cycles are required to issue the Program command.

- The first bus cycle sets up the Program command.
- The second latches the address and data to be programmed and starts the P/EC (Program/Erase Controller).

The Program command has to be written to the 'A' segment halves (address bit A3 = 0) in the 1 Kbyte program region, whereas the data to be programmed is written to the specific address of the bank to be programmed.

Once the programming has started, read operations in the bank being programmed output the Status Register contents. Programming can be performed in one bank at a time, meanwhile the other banks must be in Read or Erase Suspend mode.

The Status Register P/EC bit, SR7, indicates the progress of the program operation. It should be read to check whether the operation has completed or not.

After completion of the program operation (SR7 = 1), one of the error bits (SR4, SR3 and SR1) going High means that an error was detected. Either a failure occurred during programming, V_{PP} is outside the allowed voltage range, or an attempt to program a locked block was made. See [Section 6: Status Register](#) for detailed information.

During a program operation, the bank containing the word being programmed only accepts the Read Array, Read Status Register, Read Electronic Signature, Read CFI Query and the Program/Erase Suspend command; all other commands are ignored. A Read Array command is required to return the bank to read array mode.

Refer to [Chapter 11](#) for detailed information about simultaneous operations allowed in banks not being programmed.

Typical program times are given in [Table 23: Program/erase times and endurance cycles](#).

The program operation aborts if Reset, \overline{RP} , goes to V_{IL} . As data integrity cannot be guaranteed when the program operation is aborted, the word must be reprogrammed.

See [Appendix C, Figure 20: Program and EFA block program flowchart and pseudocode](#) for the flowchart for using the Program command.

4.8 Buffer Program command

The Buffer Program command uses the device's 1 Kbyte write buffer to speed up programming. Up to 1 Kbyte can be loaded into the write buffer and programmed into the specified 1 Kb aligned location in the main array. The Buffer Program command dramatically reduces in-system programming time compared to the standard non-buffered program command.

The Buffer Program command is supported in both object program mode and control program mode.

When using the Buffer Program command in a region configured in object mode, the start programming address must be aligned to the 1 Kb buffer.

When using the Buffer Program command in a region configured in control program mode, the programmed address must be within the 'A' segment halves of the program region (addresses with A3 = 0) and the 'B' segment halves of the program region (addresses with A3 = 1) must be filled only with FFFFh data.

Before issuing the Buffer Program Setup command, the Status Register bit SR7 at the bank address should be read to ensure that the buffer is available (SR7=1).

Four successive steps are required to issue the Buffer Program command:

1. The first bus write cycle sets up the Buffer Program command. The setup code can be addressed to any location within the targeted block.
2. The second bus write cycle sets up the number of words to be programmed. Value n is written to the same block address, where $n+1$ is the number of words to be programmed. The maximum buffer count is 1FF (512 words).
3. Use $n+1$ bus write cycles to load the address and data for each word into the write buffer. Addresses must lie within the range from the start address to the start address + n , where the start address is the location of the first data to be programmed. The start address must be aligned to a 1 Kb boundary.
4. The final bus write cycle confirms the Buffer Program command and starts the program operation.

All the addresses used in the buffer program operation must lie within the same block.

The buffer program operation does not change the read status of the banks until the Buffer Program Confirm command is issued. The Buffer Program Confirm command changes the read status of the bank to read Status Register, therefore, after the Buffer Program Confirm command, read operations in the bank output the contents of the Status Register.

Invalid address combinations or failure to follow the correct sequence of bus write cycles sets an error in the Status Register and aborts the operation without affecting the data in the memory array.

If the block being programmed is protected, an error is set in the Status Register and the operation aborts without affecting the data in the memory array.

During buffer program operations the bank being programmed only accepts the Read Array, Read Status Register, Read Electronic Signature, Read CFI Query and the Program/Erase Suspend commands; all other commands are ignored.

Refer to [Chapter 11](#) for detailed information about simultaneous operations allowed in banks not being programmed.

See [Appendix C, Figure 21: Buffer program flowchart and pseudocode](#) for a suggested flowchart on using the Buffer Program command.

4.9 Buffer Enhanced Factory Program command

The Buffer Enhanced Factory Program command has been specially developed to speed up programming in manufacturing environments where programming time is critical.

This command programs one or more write buffer(s) of 1 Kb to an aligned 1 Kb program region. Once the device enters buffer enhanced factory program mode, the write buffer can be reloaded any number of times as long as the address remains within the same main array block. Only one block can be programmed at a time.

When programming a program region configured in control program mode with the Buffer Enhanced Factory Program command, the 'B' half segment addresses ($A_3 = 1$) should not contain '0' values. When writing to a program region configured in object program mode, the B half may contain some '0' values.

If the number of bytes to program is less than 1 Kbyte, the remaining addresses must be filled with FFFFh.

The use of the Buffer Enhanced Factory Program command requires the following operating conditions:

- V_{PP} must be set to V_{PPH}
- V_{DD} must be within operating range
- Ambient temperature T_A must be $30\text{ °C} \pm 10\text{ °C}$
- The targeted block must be unlocked
- The start address must be aligned with the start of a 1 Kb buffer boundary
- The address must remain the start address throughout programming.

Dual operations are not supported during the Buffer Enhanced Factory Program operation, and the command cannot be suspended.

The Buffer Enhanced Factory command programs one block at a time. All data to be programmed must be contained in a single block. If the internal address counter is incremented beyond the highest block address, addressing wraps around to the beginning of the block.

The Buffer Enhanced Factory Program command consists of three phases: the setup phase, the program and verify phase, and the exit phase (please refer to [Table 9: Factory Program command](#) for detailed information).

4.9.1 Setup phase

The Buffer Enhanced Factory Program command requires two bus write cycles to initiate the command.

- The first bus write cycle sets up the Buffer Enhanced Factory Program command.
- The second bus write cycle confirms the command.

After the confirm command is issued, read operations output the contents of the Status Register. The Read Status Register command must not be issued or it is interpreted as data to program.

The Status Register P/EC bit SR7 should be read to check that the P/EC is ready to proceed to the next phase. If an error is detected, SR4 goes high (set to '1') and the buffer enhanced factory program operation is terminated. See [Chapter 6: Status Register](#) for details on the error.

4.9.2 Program and verify phase

The program and verify phase requires 512 cycles to program the 512 words to the write buffer. The data is stored sequentially, starting at the first address of the write buffer, until the write buffer is full (512 words). To program less than 512 words, the remaining words should be programmed with FFFFh.

Three successive steps are required to issue and execute the program and verify phase of the command.

1. Use one bus write operation to latch the start address and the first word to be programmed. The Status Register Bank write status bit SR0 should be read to check that the P/EC is ready for the next word.
2. Each subsequent word to be programmed is latched with a new bus write operation. The address must remain the start address as the P/EC increments the address location. If any address is given that is not in the same block as the start address, the program and verify phase terminates. Status Register bit SR0 should be read between each bus write cycle to check the P/EC is ready for the next word.
3. Once the write buffer is full, the data is programmed sequentially to the memory array. After the program operation the device automatically verifies the data and reprograms if necessary.

The program and verify phase can be repeated, without re-issuing the command, to program additional 512 word locations as long as the address remains in the same block.

4. Finally, after all words, or the entire block have been programmed, write FFFFh to any address outside the block containing the start address to terminate the program and verify phase.

Status Register bit SR0 must be checked to determine whether the program operation is finished. The Status Register may be checked for errors at any time but it must be checked after the entire block has been programmed.

4.9.3 Exit phase

When Status Register P/EC bit SR7 is set to '1' this indicates that the device has exited the buffer enhanced factory program operation.

Upon exiting the buffered enhanced factory program algorithm by writing FFFFh to an address outside the block containing the start address, the Read mode of the programmed and addressed banks remains unchanged.

A full Status Register check should be done to ensure that the block has been successfully programmed. See [Chapter 6: Status Register](#) for more details.

For optimum performance the Buffer Enhanced Factory Program command should be limited to a maximum of 100 program/erase cycles per block. If this limit is exceeded the internal algorithm continues to work properly but some degradation in performance is possible. Typical program times are provided in [Table 23](#).

See [Appendix C, Figure 28: Buffer enhanced factory program flowchart and pseudocode](#) for a suggested flowchart on using the Buffer Enhanced Factory Program command.

4.10 Program/Erase Suspend command

The Program/Erase Suspend command pauses a program or block erase operation. The command can be addressed to any bank and is required to restart a suspended operation.

One bus write cycle is required to issue the Program/Erase Suspend command. Once the Program/Erase Controller has paused, bits SR7, SR6 and/ or SR2 of the Status Register are set to '1'.

The following commands are accepted during Program/Erase Suspend:

- Program/Erase Resume
- Read Array (data from erase-suspended block or program-suspended word is not valid)
- Read Status Register
- Read Electronic Signature
- Read CFI Query
- Read EFA

Additionally, if the suspended operation is a block erase then the following commands are also accepted:

- Clear Status Register
- Set Configuration Register
- Program (except in erase-suspended block)
- Buffer Program (except in erase-suspended blocks)
- Block Lock
- Block Lock-Down
- Block Unlock
- Program EFA

During an erase suspend the block being erased can be protected by issuing the Block Lock or Block Lock-down commands. When the Program/Erase Resume command is issued the operation completes.

It is possible to accumulate multiple suspend operations. For example, it is possible to suspend an erase operation, start a program operation, suspend the program operation, and then read the array.

If a program command is issued during a block erase suspend, the erase operation cannot be resumed until the program operation has completed.

The Program/Erase Suspend command does not change the read mode of the banks. If the suspended bank was in Read EFA, Read Status Register, Read Electronic Signature or Read CFI Query mode, the bank remains in that mode and outputs the corresponding data.

Refer to [Chapter 11](#) for detailed information about simultaneous operations allowed during program/erase suspend.

During a Program/Erase Suspend, the device can be placed in standby mode by taking Chip Enable to V_{IH} . Program/Erase is aborted if Reset, \overline{RP} , goes to V_{IL} .

See [Appendix C, Figure 22: Program suspend and resume flowchart and pseudocode](#) for flowcharts for using the Program/Erase Suspend command.

4.11 Program/Erase Resume command

The Program/Erase Resume command restarts the program or erase operation suspended by the Program/Erase Suspend command. One bus write cycle is required to issue the command. The command can be issued to any address.

The Program/Erase Resume command does not change the read mode of the banks. If the suspended bank was in Read Status Register, Read Electronic Signature or Read CFI Query mode, the bank remains in that mode and outputs the corresponding data.

If a Program command is issued during a block erase suspend, then the erase cannot be resumed until the program operation is complete.

See [Appendix C, Figure 22: Program suspend and resume flowchart and pseudocode](#) and [Figure 24: Erase suspend and resume flowchart and pseudocode](#) for flowcharts for using the Program/Erase Resume command.

4.12 Protection Register Program command

The Protection Register Program command programs the user OTP area of the Protection Register and the two Protection Register Locks.

The device features 16 OTP areas of 128 bits and one OTP area of 64 bits, as shown in [Figure 4: Protection Register memory map](#).

The areas are programmed one word at a time. When shipped, all bits in the area are set to '1'. Only the user can program the bits to '0'.

Two bus write cycles are required to issue the Protection Register Program command.

- The first bus cycle sets up the Protection Register Program command.
- The second latches the address and data to be programmed to the Protection Register and starts the Program/Erase Controller.

Read operations to the bank being programmed output the Status Register content after the program operation has started. Attempting to program a previously-protected Protection Register results in a Status Register error.

The Protection Register Program cannot be suspended. Dual operations between the EFA and the Protection Register memory space are not allowed (see [Table 21: Dual operation limitations](#) for details).

The two Protection Register locks are used to protect the OTP areas from further modification. The protection of the OTP areas is not reversible. Refer to [Figure 4: Protection Register memory map](#) for details on the lock bits.

See [Appendix C, Figure 27: Protection Register program flowchart and pseudocode](#) for a flowchart for using the Protection Register Program command.

4.13 Set Configuration Register command

The Set Configuration Register command writes a new value to the Configuration Register.

Two bus write cycles are required to issue the Set Configuration Register command.

- The first cycle sets up the Set Configuration Register command and the address corresponding to the Configuration Register content.
- The second cycle writes the Configuration Register data and the confirm command.

The Configuration Register data must be written as an address during the bus write cycles, such as A0 = CR0, A1 = CR1, ..., A15 = CR15. Addresses A16-Amax are ignored.

Read operations output the array content after the Set Configuration Register command is issued.

The Read Electronic Signature command is required to read the updated contents of the Configuration Register.

4.14 Block Lock command

The Block Lock command is used to lock a block and prevent program or erase operations from changing the data in it. All blocks are locked after power-up or reset.

Two bus write cycles are required to issue the Block Lock command.

- The first bus cycle sets up the Block Lock command.
- The second bus write cycle latches the block address and locks the block.

The lock status can be monitored for each block using the Read Electronic Signature command. [Table 22](#) shows the lock status after issuing a Block Lock command.

Once set, the block lock bits remain set even after a hardware reset or power-down/power-up. They are cleared by a Block Unlock command.

Refer to [Section 12: Block locking](#) for a detailed explanation. See [Appendix C, Figure 25: Main array and EFA locking operations flowchart and pseudocode](#) for a flowchart for using the Lock command.

4.15 Block Unlock command

The Block Unlock command unlocks a block, allowing the block to be programmed or erased.

Two bus write cycles are required to issue the Block Unlock command.

- The first bus cycle sets up the Block Unlock command.
- The second bus write cycle latches the block address and unlocks the block.

The lock status can be monitored for each block using the Read Electronic Signature command. [Table 22](#) shows the protection status after issuing a Block Unlock command.

Refer to [Section 12: Block locking](#) for a detailed explanation and [Appendix C, Figure 25: Main array and EFA locking operations flowchart and pseudocode](#) for a flowchart for using the Block Unlock command.

4.16 Block Lock-down command

The Block Lock-down command locks down a locked or unlocked block.

A locked-down block cannot be programmed or erased. The lock status of a locked-down block cannot be changed when \overline{WP} is low, V_{IL} . When \overline{WP} is high, V_{IH} , the lock-down function is disabled and the locked blocks can be individually unlocked by the Block Unlock command.

Two bus write cycles are required to issue the Block Lock-down command.

- The first bus cycle sets up the Block Lock-down command.
- The second bus write cycle latches the block address and locks-down the block.

The lock status can be monitored for each block using the Read Electronic Signature command.

Locked-down blocks revert to the locked (and not locked-down) state when the device is reset on power-down. [Table 22](#) shows the Lock Status after issuing a Block Lock-down command.

Refer to [Section 12: Block locking](#) for a detailed explanation and [Appendix C, Figure 25: Main array and EFA locking operations flowchart and pseudocode](#) for a flowchart for using the Lock-down command.

4.17 Blank Check command

The Blank Check command checks whether a main array block has been completely erased. Only one block at a time can be checked. Two bus cycles are required to issue the Blank Check command:

- The first bus cycle writes the Blank Check command to any address in the block to be checked.
- The second bus cycle writes the Blank Check Confirm command (D0h) to any address in the block to be checked and starts the blank check operation.

If the second bus cycle is not Blank Check Confirm, Status Register bits SR4 and SR5 are set to '1' and the command aborts.

Once the command is issued the addressed bank automatically enters the Status Register mode and further reads within the bank output the Status Register contents.

The only operation permitted during blank check is Read Status Register. Dual operations are not supported while a blank check operation is in progress. Blank check operations cannot be suspended and are not allowed while the device is in program/erase suspend.

The SR7 Status Register bit indicates the status of the blank check operation in progress: SR7 = '0' means that the blank check operation is still ongoing. SR7 = '1' means that the operation is complete.

The SR5 Status Register bit goes High (SR5 = '1') to indicate that a blank check operation has failed.

At the end of the operation the bank remains in the Read Status Register mode until another command is written to the command interface.

See [Appendix C, Figure 26: Blank check flowchart and pseudocode](#) for a suggested flowchart for using the Blank Check command.

Typical Blank Check times are provided in [Figure 23: Program/erase times and endurance cycles](#).

4.18 Set Enhanced Configuration Register command

The Set Enhanced Configuration Register command is used to write a new value to the Enhanced Configuration Register. Two bus write cycles are required to issue the Set Enhanced Configuration Register command.

- The first cycle sets up the Set Enhanced Configuration Register command and the address corresponding to the Enhanced Configuration Register contents.
- The second cycle writes the Enhanced Configuration Register data and the Confirm command.

The Enhanced Configuration Register data must be written as an address during the bus write cycle, such as A0 = ECR0, A1 = ECR1, ..., A15 = ECR15.

If the Set Enhanced Configuration Register setup write cycle is not followed by the Set Enhanced Configuration Register Confirm command (04h), Status Register bits SR4 and SR5 are set.

After successfully executing this command, the bank addressed returns to read array state.

4.19 Read EFA Block command

The Read EFA Block command places the addressed bank in the read EFA mode, where all addresses in the addressed bank are remapped to EFA block addresses.

When the device is in read EFA mode, the main array blocks in the addressed bank can no longer be accessed until a Read Array command is issued to the bank.

One bus write cycle is required to issue the Read EFA Block command. Once a bank is in read EFA mode, subsequent read operations from any address within the EFA block output the EFA data from the EFA block. See [Table 5: EFA memory map](#) for details.

EFA blocks can be read through asynchronous or single synchronous read operations only. The Asynchronous page read mode cannot be used to read the EFA blocks.

If a Read EFA command is issued in a bank that is programming or erasing, the read mode of the bank changes to Read EFA mode.

4.20 Program EFA Block command

The Program EFA Block command programs a single word to an EFA block.

Two bus write cycles are required to issue the Program EFA Block command.

- The first bus cycle sets up the Program EFA Block command.
- The second cycle latches the address and data to be programmed and starts the Program/Erase Controller.

Once the programming has started, read operations in the bank being programmed output the Status Register contents.

Issuing the Program EFA Block command to an address outside the EFA block address range generates a Program Error in the Status Register (SR4=1).

A Read EFA Block command is required to return the bank to Read EFA mode. Refer to [Section 11](#) for detailed information about simultaneous operations allowed in the banks not being programmed. Typical EFA Program times are given in [Table 23: Program/erase times and endurance cycles](#).

The program operation aborts if Reset, \overline{RP} , is at V_{IL} . As data integrity cannot be guaranteed when a program EFA block operation is aborted, the word must be reprogrammed. See [Appendix C, Figure 20: Program and EFA block program flowchart and pseudocode](#) for the flowchart for using the Program EFA Block command.

4.21 Erase EFA Block command

The Erase EFA Block command erases an EFA block. It sets all the bits within the selected block to '1', and all previous data in the block is lost. If the EFA block is protected, then the erase operation aborts, the data in the EFA block is not changed, and the Status Register outputs the error.

Two bus write cycles are required to issue the command.

- The first bus cycle sets up the Erase EFA Block command.
- The second latches the EFA block address and starts the Program/Erase Controller.

The first cycle brings the EFA plane to the foreground and latches the address of the EFA block to be erased. Reading from the bank when the EFA plane is in the foreground returns the Status Register.

Once the Erase operation has started, read operations in the bank being erased output the Status Register contents.

If the Erase EFA Block Confirm command code is not issued in the second bus cycle, Status Register bits SR4 and SR5 are set, the command is aborted, and the addressed bank remains in the Read Status Register mode.

Issuing the Erase EFA Block command outside the EFA block address range generates an error in the Status Register (SR5=1).

The erase EFA block operation aborts if Reset, \overline{RP} , is at V_{IL} . As data integrity cannot be guaranteed when the erase EFA block operation is aborted, the block must be erased again.

Refer to [Section 11: Dual operations and multiple bank architecture](#) section for detailed information about simultaneous operations allowed with array and non-array blocks. Typical erase times are provided in [Table 23: Program/erase times and endurance cycles](#).

See [Appendix C, Figure 23: Block erase and EFA block erase flowchart and pseudocode](#) for a suggested flowchart for using the Erase EFA Block command.

4.22 Suspend EFA Block command

The Suspend EFA Block command pauses a program or erase EFA block operation. The command can be addressed to any bank. The Resume EFA Block command is required to restart the suspended operation.

One bus write cycle is required to issue the Suspend EFA Block command. Once the Program/Erase Controller has paused, bits SR7, SR6 and/ or SR2 of the Status Register are set to '1'.

The following commands are accepted during Suspend EFA Block:

- Resume EFA Block
- Read Array
- Read EFA Block (data from erase-suspended blocks or program-suspended words is not valid)
- Read Status Register
- Read Electronic Signature
- Read CFI Query.

Additionally, if the suspended operation was an erase EFA block operation then the following commands are also accepted:

- Clear Status Register
- Set Configuration Register
- Program EFA Block (except in the erase-suspended block)
- Program and Buffer Program in the main array
- Block Lock
- Block Lock-down
- Block Unlock
- EFA Block Lock
- EFA Block Lock-down
- EFA Block Unlock

During Suspend EFA Block the EFA block being erased can be protected by issuing the EFA Block Lock or EFA Block Lock-down commands. When the Resume EFA Block command is issued, the operation is resumed and completes. The suspend EFA block operation can be repeated.

For example, it is possible to suspend an erase EFA block operation, to start a program EFA block operation, to suspend the program operation, and then read EFA locations.

If a Program EFA Block command is issued during a suspend EFA block operation, the erase EFA block operation cannot be resumed until the program operation has completed.

The state of the bank where the command was issued do not change.

Refer to [Section 11](#) for detailed information about simultaneous operations allowed during a suspend EFA block operation.

During a suspend EFA block operation, the device can be placed in standby mode by taking Chip Enable to V_{IH} . Program/erase is aborted if Reset, \overline{RP} , is V_{IL} .

See [Appendix C, Figure 22: Program suspend and resume flowchart and pseudocode](#) and [Figure 24: Erase suspend and resume flowchart and pseudocode](#) for flowcharts for using the Suspend EFA Block command.

4.23 Resume EFA Block command

The Resume EFA Block command restarts the program or erase EFA block operation suspended by the Suspend EFA Block command. One bus write cycle is required to issue the command. The command can be issued to any address.

The Resume EFA Block command does not change the read mode of the banks.

If a Program EFA Block command is issued while an erase EFA block operation has been suspended, then the erase operation cannot be resumed until the program operation has completed.

See [Appendix C, Figure 22: Program suspend and resume flowchart and pseudocode](#) and [Figure 24: Erase suspend and resume flowchart and pseudocode](#) for flowcharts for using the Resume EFA Block command.

4.24 Lock EFA Block command

The Lock EFA Block command is used to lock an EFA block and prevent program or erase operations from changing the data in it. All EFA blocks are locked after power-up or reset.

Two bus write cycles are required to issue the Lock EFA Block command.

- The first bus cycle sets up the Lock EFA Block command.
- The second bus cycle latches the Block address and locks the block.

The lock status can be monitored for each EFA block using the [Read Electronic Signature command](#).

Once set, the block lock bits remain set even after a hardware reset or a power-down/power-up sequence. They are cleared by an Unlock EFA Block command.

Program or erase operations to a locked EFA block generates an error in the Status Register (SR1=1).

Refer to [Section 12: Block locking](#) for a detailed explanation. See [Appendix C, Figure 25: Main array and EFA locking operations flowchart and pseudocode](#) for a flowchart for using the Lock EFA Block command.

4.25 Unlock EFA Block command

The Unlock EFA Block command unlocks an EFA block, allowing the EFA block to be programmed or erased.

Two bus write cycles are required to issue the Unlock EFA Block command.

- The first bus cycle sets up the Unlock EFA Block command.
- The second bus write cycle latches the block address and unlocks the block.

The lock status can be monitored for each EFA block using the [Read Electronic Signature command](#).

Refer to [Section 12: Block locking](#) for a detailed explanation and to [Appendix C, Figure 25: Main array and EFA locking operations flowchart and pseudocode](#) for a flowchart for using the Unlock EFA Block command.

4.26 Lock-down EFA Block command

The Lock-down EFA Block command is used to lock down a locked or unlocked EFA block.

A locked-down EFA block cannot be programmed or erased. The lock status of a locked-down EFA block cannot be changed when \overline{WP} is Low, V_{IL} . When \overline{WP} is High, V_{IH} , the lock-down function is disabled and the locked EFA blocks can be individually unlocked by issuing the Unlock EFA Block command.

Two bus write cycles are required to issue the Lock-down EFA Block command.

- The first bus cycle sets up the Lock-down EFA Block command.
- The second bus write cycle latches the block address and locks down the block.

The lock status can be monitored for each EFA block using the [Read Electronic Signature command](#).

Locked-down EFA blocks revert to the locked (and not locked-down) state when the device is reset on power-down. [Table 22](#) shows the lock status after issuing a Lock-down EFA Block command.

Refer to [Section 12: Block locking](#) for a detailed explanation and to [Appendix C, Figure 25: Main array and EFA locking operations flowchart and pseudocode](#) for a flowchart for using the Lock-down EFA Block command.

Table 8. Standard commands

Commands	Cycles	Bus operations ⁽¹⁾					
		1st cycle			2nd cycle		
		Op.	Add	Data	Op.	Add	Data
Read Array	1+	Write	BKA	FFh	Read	WA	RD
Read Status Register	1+	Write	BKA	70h	Read	BKA ⁽²⁾	SRD
Read Electronic Signature	1+	Write	BKA	90h	Read	BKA ⁽²⁾	ESD
Read CFI Query	1+	Write	BKA	98h	Read	BKA ⁽²⁾	QD
Clear Status Register	1	Write	X	50h			
Block Erase	2	Write	BKA or BA ⁽³⁾	20h	Write	BA	D0h
Program	2	Write	BKA or WA ⁽³⁾	41h	Write	WA	PD
Buffer Program	n+4 (4)	Write	BA	E9h	Write	BA	n
		Write	PA ₁	PD ₁	Write	PA ₂	PD ₂
		Write	PA _{n+1}	PD _{n+1}	Write	X	D0h
Program/Erase Suspend	1	Write	X	B0h			
Program/Erase Resume	1	Write	X	D0h			
Protection Register Program	2	Write	PRA	C0h	Write	PRA	PRD
Set Configuration Register	2	Write	CRD	60h	Write	CRD	03h
Block Lock	2	Write	BKA or BA ⁽³⁾	60h	Write	BA	01h
Set Enhanced Configuration Register	2	Write	ECRD	60h	Write	ECRD	04h
Block Unlock	2	Write	BKA or BA ⁽³⁾	60h	Write	BA	D0h
Block Lock-down	2	Write	BKA or BA ⁽³⁾	60h	Write	BA	2Fh
Blank Check	2	Write	BA	BCh	Write	BA	D0h
Read EFA Block	1+	Write	BKA	94h	Read	WA	RD
Program EFA Block	2	Write	BKA or WA ⁽³⁾	44h	Write	WA	PD
Erase EFA Block	2	Write	BKA or BA ⁽³⁾	24h	Write	BA	D0h
Suspend EFA Block	1	Write	X	B0h			
Resume EFA Block	1	Write	X	D0h			
Lock EFA Block	2	Write	BKA or BA ⁽³⁾	64h	Write	BA	01h
Unlock EFA Block	2	Write	BKA or BA ⁽³⁾	64h	Write	BA	D0h
Lock-down EFA Block	2	Write	BA	64h	Write	BA	2Fh

1. X = Don't care, WA = Word Address in targeted bank, RD = Read Data, SRD = Status Register Data, ESD = Electronic Signature Data, QD = Query Data, BA = Block Address, BKA = Bank Address, PA = Program Address, PD = Program Data, PRA = Protection Register Address, PRD = Protection Register Data, CRD = Configuration Register Data, ECRD = Enhanced Configuration Register Data.

2. Must be same bank as in the first cycle. The signature addresses are listed in [Table 10](#).

3. Any address within the bank can be used.

4. n+1 is the number of words to be programmed.

Table 9. Factory Program command⁽¹⁾

Command	Phase	Cycles	Bus write operations									
			1st		2nd		3rd		Final -1		Final	
			Add	Data	Add	Data	Add	Data	Add	Data	Add	Data
Buffer Enhanced Factory Program	Setup	2	BKA or WA ⁽²⁾	80h	WA ₁	D0h						
	Program/ Verify ⁽³⁾	≥512	WA ₁	PD ₁	WA ₁	PD ₂	WA ₁	PD ₃	WA ₁	PD ₅₁₁	WA ₁	PD ₅₁₂
	Exit	1	NOT BA ₁ ⁽⁴⁾	FFFFh								

1. WA = Word Address in targeted bank, BKA = Bank Address, PD = Program Data, BA = Block Address, X = Don't care.
2. Any address within the bank can be used.
3. The program/verify phase can be executed any number of times as long as the data is programmed to the same block.
4. WA₁ is the start address, NOT BA₁ = Not Block Address of WA₁.

Table 10. Electronic signature codes

Code		Address (h)	Data (h)
Manufacturer code		Bank address + 00	0020
Device code	256 Mbit	Bank address + 01	8818
	512 Mbit		8819
	1 Gbit		880F
Block protection	Main block	Block address + 02	Locked
			Unlocked
			Locked and Locked-down
			Unlocked and Locked-down
	EFA block		Locked
			Unlocked
			Locked and Locked-down
			Unlocked and Locked-down
Configuration Register		Bank address + 05	CR ⁽¹⁾
Enhanced Configuration Register		Bank address + 06	ECR ⁽¹⁾
Protection Register PR0 Lock	ST factory default	Bank address + 80	0002
	OTP area permanently locked		0000
Protection Register PR0		Bank address + 81	Unique device number
		Bank address + 84	
		Bank address + 85	OTP area
		Bank address + 88	
Protection Register PR1 through PR16 Lock		Bank address + 89	PRLD ⁽¹⁾
Protection Registers PR1-PR16		Bank address + 8A	OTP area
		Bank address + 109	

1. CR = Configuration Register, ECR = Enhanced Configuration Register, PRLD = Protection Register Lock Data.

Figure 4. Protection Register memory map

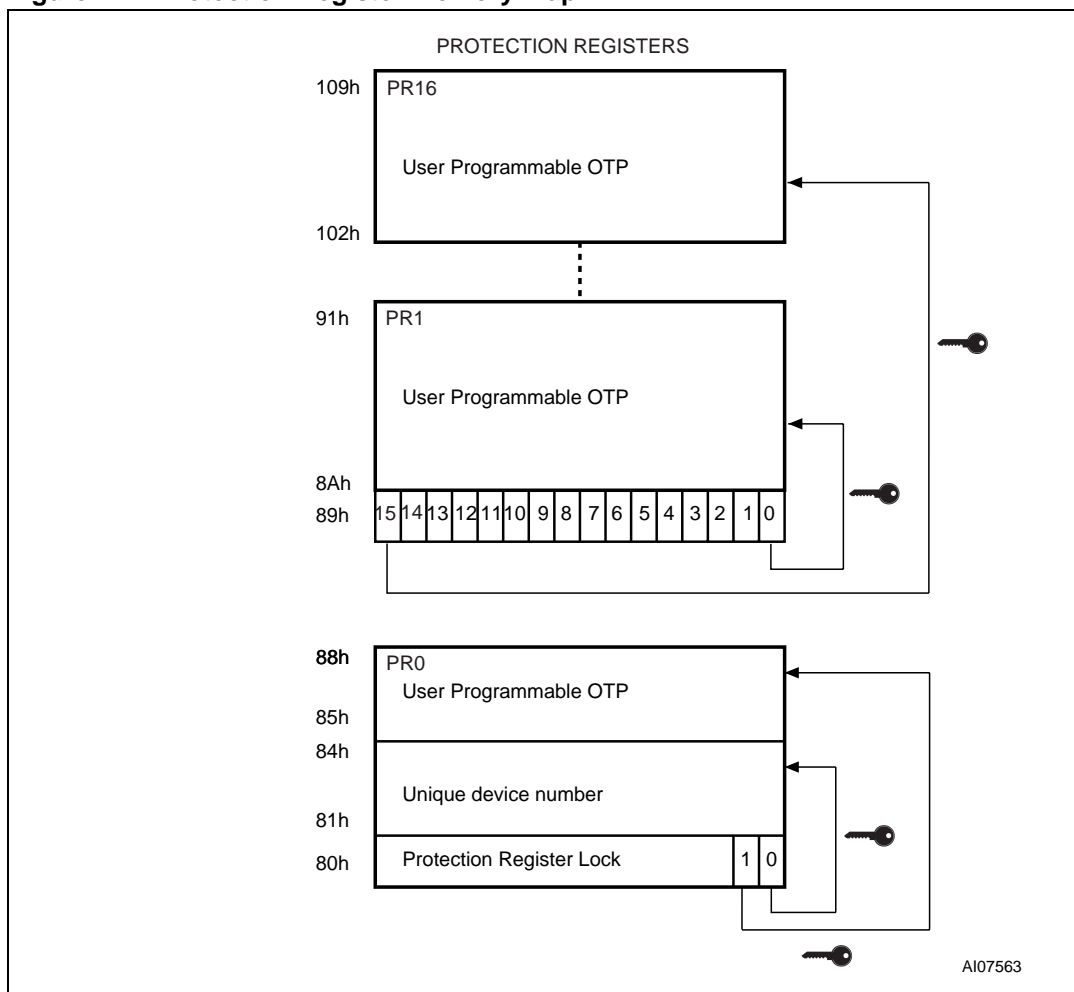


Table 11. Protection Register locks

Lock			Description
Number	Address	Bits	
Lock 1	80h	Bit 0	Preprogrammed to protect unique device number, address 81h to 84h in PR0
		Bit 1	Protects 64 bits of OTP area, address 85h to 88h in PR0
		Bits 2 to 15	Reserved
Lock 2	89h	Bit 0	Protects 128 bits of OTP area PR1
		Bit 1	Protects 128 bits of OTP area PR2
		Bit 2	Protects 128 bits of OTP area PR3
		⋮	⋮
		Bit 13	Protects 128 bits of OTP area PR14
		Bit 14	Protects 128 bits of OTP area PR15
		Bit 15	Protects 128 bits of OTP area PR16

5 Program operations

The M58PR256LE, M58PR512LE and M58PR001LE have innovative features specially developed to improve the storage flexibility and efficiency of NOR Flash memory arrays.

Data and code can be stored more efficiently by using the right combination of program methods and program modes.

There are two types of program methods that use commands that consist of one or more sequential bus write operations interpreted by the command interface:

- Single word program method, which uses the Program command.
- Buffered program method, which uses either the Buffer Program command or the Buffer Enhanced Factory Program command.

There are two program modes:

- Control program mode
- Object program mode.

The control program mode supports the two program methods, whereas the object program mode only supports the buffered program method.

This new logical organization of program operations is made possible by the device architecture, and, in particular, by the new concept of program regions.

5.1 Program regions

Each Flash memory block is divided into 256 program regions (see [Figure 5: Program regions configured in control or object program mode](#)). Erase operations have a block granularity, whereas program operations have a program region granularity.

The user can configure each program region to be programmed either in the control program mode or in the object program mode. A given block can contain program regions configured in the control program mode and others configured in the object program mode.

Special care should be taken when selecting the programming mode for the program regions because once the program regions are configured, their program mode cannot be changed until the entire block is erased.

Each program region is split into 32 segments of 32 bytes and each segment is subdivided into two halves, 'A' and 'B'. Address bit A3 determines whether a bit belongs to the 'A' half (A3 = 0) or to the 'B' half (A3 = 1).

5.2 Program modes

There are two program modes, which allow the Flash memory to store different types of data: control program mode and object program mode.

5.2.1 Control program mode

The control program mode is best suited to the storage of small, dynamic information. Typically such data is contained within one program region and it is frequently updated and/or new data is added to it.

Program regions are configured in the control program mode by programming data only to the 'A' halves (bit A3= 0) of the segments they contain. The 'B' halves of the segments must remain erased, meaning that they should not contain any zeros (see [Figure 5: Program regions configured in control or object program mode](#)).

In a program region of 1 Kbyte configured in the control program mode, only 512 bytes of data can be stored.

When the program regions are configured in the control program mode, any program method can be used: the single word or the buffered program methods.

Once a program region has been configured in the control program mode, if a zero is written to a 'B' half of one of its segments, the program operation is terminated and an error is generated. The Status Register bits SR4 and SR9 are set to '1'. (Refer to [Status Register](#) and to [Table 13: Relationships between program methods and program modes](#) for details.)

The program mode of a program region configured in the control program mode can only be changed by first erasing the block that contains the program region.

5.2.2 Object program mode

The object program mode is best suited to the storage of large amounts of static information. In a program region of 1 Kbyte configured in the object program mode, 1 Kbyte of data can be stored.

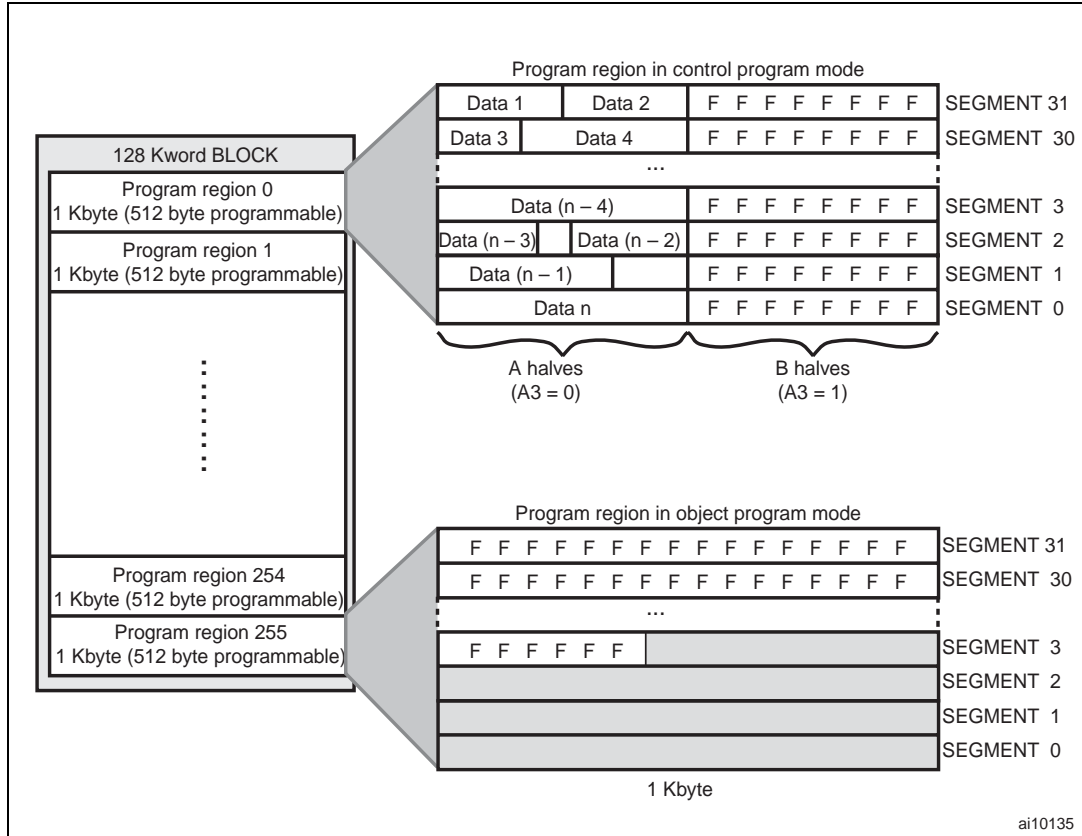
When a program region is configured in the object program mode, it cannot be re-programmed or have new data added without first erasing the entire block that contains the program region.

Program regions are configured in the object program mode simply by programming at least one bit in the 'B' half (A3 = 1) of one of the segments they contain.

If the programmed data is smaller than 1 Kbyte, the unused space remains in the erased state (all the bits set to FFFFh), but can no longer be used to program data. See [Figure 5: Program regions configured in control or object program mode](#).

When the program regions are configured in the object program mode, only the buffered program methods can be used. If an attempt is made to use the single word program method, the program operation is aborted and Status Register Error bits SR4 and SR8 are set to '1'. (Refer to [Status Register](#) and to [Table 13: Relationships between program methods and program modes](#), for details.)

Figure 5. Program regions configured in control or object program mode



5.3 Program methods

The device supports two types of program methods:

- Single word program method, which is used to program a single word to a specific address of the memory array.
- Buffered program methods, which can be split into two different methods:
 - Buffer program method, which uses the device's write buffer to speed up programming. The data is written into the write buffer and then programmed to the specified block address.
 - Buffer enhanced factory program method, which is developed to speed up programming in manufacturing environments where the programming time is critical. The data is written in the write buffer and then programmed to the specified block.

The following sections describe the relationship between program commands and program methods in detail. See [Table 13: Relationships between program methods and program modes](#) and [Table 12: Program methods available with each program mode](#).

5.3.1 Single word program method

The single word program method is based on the Program command. It is only supported by program regions configured in the control program mode.

If the single word program method is attempted in a program region configured in the object program mode, the program operation is aborted and Status Register bits SR4 and SR8 are set.

See [Section 4: Command interface](#) for a detailed description of the Program command.

In program regions configured in the control program mode, the Program command can be issued several times.

Using the single word program method to program one or more bits to '0' in the 'B' halves of the segments (A3 = 1) of an erased or already programmed program region generates an error:

- In the case of an erased program region, this is considered an illegal operation that sets Status Register bits SR4 and SR9.
- In the case of an already programmed program region, an error is always generated because:
 - To be able to write to a program region configured in the object program mode, the entire block that contains the program region must be erased first.
 - It is not allowed to write to the 'B' halves of the segments of a program region configured in the control program mode.

5.3.2 Buffer program method

The buffer program method is based on the Buffer Program command and uses a 1 Kbyte write buffer to speed up programming. The data is written to the write buffer and then programmed to the specified main array location.

The buffer program method is supported regardless of the program mode of the program regions. When using the buffer program method in a program region configured in the object program mode, the start address must be aligned to the 1 Kbyte write buffer.

When using the buffer program method in a program region configured in the control program mode, the address to be programmed must be located inside the 'A' halves of the program region's segments (addresses with A3 = 0) and the 'B' halves of the segments (addresses with A3= 1) must be filled only with FFFFh data.

The Buffer Program command can be issued several times to program regions configured in the control program mode.

The Buffer Program command can only be issued once in program regions configured in the object program mode. Attempts to program the same program regions by re-issuing the Buffer Program command leads to data corruption.

See [Section 4: Command interface](#) for a detailed description of the Buffer Program command.

5.3.3 Buffer enhanced factory program method

The buffer enhanced factory program method is based on the Buffer Enhanced Factory Program command.

The buffer enhanced factory program method is supported by the program regions, regardless of the program mode in which they are configured.

In this program method, the program region (1 Kbyte) must be completely filled, regardless of the program mode used. If the size of the data to be written is less than 1 Kbyte, the remaining addresses in the program region must be filled with FFFFh.

When using the buffer enhanced factory program method in a program region configured in the control program mode, the addresses to be programmed must be located in the 'A' half of the program regions' segments (A3 = 0) and the 'B' half of the segments (A3 = 1) must be filled only with FFFFh.

See [Section 4: Command interface](#) for a detailed description of the Buffer Enhanced Factory Program command.

Table 12. Program methods available with each program mode

Program mode	Program methods ⁽¹⁾		
	Single word program	Buffered program	
		Buffer program	Buffer enhanced factory Program
Control program mode	X	X	X
Object program mode		X	X

1. X means available.

Table 13. Relationships between program methods and program modes

Program region status	Address bit A3 value	Program method		
		Buffered program		Single word program
		Buffer program	Buffer enhanced factory program	
Erased	A3 = 0 ('A' half)	Program region configured in control program mode		Program region configured in control program mode
	A3 = 1 ('B' half)	Program region configured in object program mode		Not allowed. Program aborted, Status Register Error bits SR4 and SR9 set
Control program mode	A3 = 0 ('A' half)	Program operation successful		
	A3 = 1 ('B' half)	Not allowed. Program aborted, Status Register Error bits SR4 and SR9 set		
Object program mode	A3 = 0 ('A' half)	Subsequent program not allowed.		
	A3 = 1 ('B' half)	Program aborted, Status Register Error bits SR4 and SR8 set		

6 Status Register

The Status Register provides information on the current or previous program or erase operations. Issue a Read Status Register command to read the contents of the Status Register (refer to [Section 4.2](#) for more details on the command itself).

To output the contents, the Status Register is latched and updated on the falling edge of the Chip Enable or Output Enable signals, and can be read until Chip Enable or Output Enable returns to V_{IH} .

The Status Register can only be read using single asynchronous or single synchronous reads.

Bus read operations from any address within the bank always read the Status Register during program and erase operations if no Read Array command has been issued.

The various bits convey information about the status and any errors of the operation. Bits SR7, SR6, SR2 and SR0 give information on the status of the device and are set and reset by the device. Bits SR9, SR8, SR5, SR4, SR3 and SR1 give information on errors. They are set by the device but must be reset by issuing a Clear Status Register command or a hardware reset. If an error bit is set to '1' the Status Register should be reset before issuing another command.

The bits in the Status Register are summarized in [Table 14: Status Register bits](#). Refer to [Table 14](#) in conjunction with the following text descriptions.

6.1 Control program mode status bit (SR9)

The control program mode status bit, SR9, indicates whether an error occurred while writing to a program region that is configured in control program mode.

The SR9 bit should be read once the Program/Erase Controller status bit SR7 is set to '1' (Program/Erase Controller inactive).

SR9 is set to 1 when the user attempts to program object data in a control mode region.

When:

- SR9 = 0, the program operation completed successfully.
- SR9 = 1, the program operation failed.

Once set to '1', SR9 can only be cleared by issuing a Clear Status Register command or through a hardware reset.

SR9 should be cleared before a new program command is issued, otherwise the new command appears to fail.

6.2 Object program mode status bit (SR8)

The object program mode status bit, SR8, indicates whether an error occurred while writing to a program region that was configured in the object program mode.

The SR8 bit should be read once the Program/Erase Controller status bit SR7 is set to '1' (Program/Erase Controller inactive).

SR8 is set to 1 when the user attempts to rewrite an object mode region.

When:

- SR8 = 0, the program operation completed successfully.
- SR8 = 1, the program operation failed.

Once set, SR8 can only be cleared by issuing a Clear Status Register command or through a hardware reset.

SR8 should be cleared before a new program command is issued, otherwise the new command appears to fail.

6.3 Program/Erase Controller status bit (SR7)

The Program/Erase Controller status bit indicates whether the Program/Erase Controller is active or inactive in any bank.

When:

- SR7 = 0, the Program/Erase Controller is active.
- SR7 = 1, the Program/Erase Controller is inactive, and the device is ready to process a new command.

The Program/Erase Controller status bit is set to '0' immediately after a Program/Erase Suspend command is issued until the Program/Erase Controller pauses. After the Program/Erase Controller pauses, the bit is set to '1'.

6.4 Erase suspend status bit (SR6)

The erase suspend status bit indicates that an erase operation has been suspended in the addressed block.

When:

- SR6 = 0, no Program/Erase Suspend command has been issued.
- SR6 = 1, a Program/Erase Suspend command has been issued and the memory is waiting for a Program/Erase Resume command.

The erase suspend status bit should only be considered valid when the Program/Erase Controller status bit is set to '1' (Program/Erase Controller inactive). SR6 is set within the erase suspend latency time of the Program/Erase Suspend command being issued, therefore, the memory may still complete the operation rather than entering suspend mode.

When a Program/Erase Resume command is issued, the erase suspend status bit is reset to '0'.

6.5 Erase status bit (SR5)

The erase status bit identifies if there is an error during a block erase operation.

When:

- SR5 = 0, no error occurred.
- SR5 = 1, the Program/Erase Controller applied the maximum number of pulses to the block or bank and still failed to verify that it has erased correctly.

The erase status bit should be read once the Program/Erase Controller Status bit is set to '1' (Program/Erase Controller inactive). Once set, the erase status bit must be cleared by a Clear Status Register command or a hardware reset. This must be done before a new erase command is issued, otherwise the new command appears to fail.

6.6 Program status bit (SR4)

The program status bit identifies if there is an error during a program operation.

The program status bit should be read once the Program/Erase Controller status bit is set to '1' (Program/Erase Controller inactive).

When:

- SR4 = 0, no error occurred.
- SR4 = 1, the Program/Erase Controller applied the maximum number of pulses to the word and still failed to verify that it programmed correctly.

Attempting to program a '1' to an already programmed bit while $V_{PP} = V_{PPH}$ also sets the program status bit to '1'. If V_{PP} is different from V_{PPH} , SR4 remains set to '0' and the attempt is not shown.

Once set to '1', the program status bit must be cleared by a Clear Status Register command or a hardware reset. This must be done before a new program command is issued, otherwise the new command appears to fail.

6.7 V_{PP} status bit (SR3)

The V_{PP} status bit identifies an invalid voltage on the V_{PP} pin during program and erase operations. The V_{PP} pin is only sampled at the beginning of a program or erase operation. Program and erase operations are not guaranteed if V_{PP} becomes invalid during an operation.

When:

- SR3 = 0, the voltage on the V_{PP} pin is sampled at a valid voltage.
- SR3 = 1, the V_{PP} pin has a voltage that is below the V_{PP} lockout voltage, V_{PPLK} , the memory is protected, and program and erase operations cannot be performed.

Once set to '1', the V_{PP} status bit must be cleared by a Clear Status Register command or a hardware reset. This must be done before a new program or erase command is issued, otherwise the new command appears to fail.

6.8 Program Suspend Status bit (SR2)

The program suspend status bit indicates that a program operation has been suspended in the addressed block. The program suspend status bit is only considered valid when the Program/Erase Controller status bit is set to '1' (Program/Erase Controller inactive).

When:

- SR2 = 0, no Program/Erase Suspend command has been issued.
- SR2 = 1, a Program/Erase Suspend command has been issued and the memory is waiting for a Program/Erase Resume command.

SR2 is set within the program suspend latency time of the Program/Erase Suspend command being issued, therefore, the memory may still complete the operation rather than entering suspend mode.

When a Program/Erase Resume command is issued, the program suspend status bit is reset to '0'.

6.9 Block protection status bit (SR1)

The block protection status bit identifies if a program or block erase operation has tried to modify the contents of a locked block.

When:

- SR1 = 0, no program or erase operation has been attempted on a locked block.
- SR1 = 1, a program or erase operation has been attempted on a locked block.

Once set to '1', the block protection status bit must be cleared by a Clear Status Register command or a hardware reset. This must be done before a new program or erase command is issued, otherwise the new command appears to fail.

6.10 Bank write/multiple word program status bit (SR0)

The bank write status bit indicates if the addressed bank is programming or erasing.

The bank write status bit is only considered valid when the Program/Erase Controller status bit SR7 is set to '0'.

When:

- SR0 = 0 and SR7 = 0, the addressed bank is executing a program or erase operation.
- SR0 = 1 and SR7 = 0, a program or erase operation is being executed in a bank other than the one being addressed.

During buffer enhanced factory program operations the multiple word program bit, SR0, shows if the device is ready to accept a new word to be programmed to the memory array.

When:

- SR0 = 0, the device is ready for the next word.
- SR0 = 1, the device is not ready for the next word.

For further details on how to use the Status Register, see the flowcharts and pseudocodes provided in [Appendix C](#).

Table 14. Status Register bits

Bit	Name	Type	Logic level ⁽¹⁾	Definition	
SR15- SR10	Reserved ⁽²⁾				
SR9	Control program mode status	Error	1	Program error in program region configured in control program mode	
			0	Program successful	
SR8	Object program mode status	Error	1	Program error in program region configured in object program mode	
			0	Program successful	
SR7	P/EC status	Status	1	Ready	
			0	Busy	
SR6	Erase suspend status	Status	1	Erase suspended	
			0	Erase in progress or completed	
SR5	Erase status	Error	1	Erase error	
			0	Erase success	
SR4	Program status	Error	1	Program error	
			0	Program success	
SR3	V _{PP} status	Error	1	V _{PP} invalid, abort	
			0	V _{PP} OK	
SR2	Program suspend status	Status	1	Program suspended	
			0	Program in progress or completed	
SR1	Block protection status	Error	1	Program/erase on protected block, abort	
			0	No operation to protected blocks	
SR0	Bank write status	Status	1	SR7 = '1'	Not allowed
				SR7 = '0'	Program or erase operation in a bank other than the addressed bank
			0	SR7 = '1'	No program or erase operation in the device
				SR7 = '0'	Program or erase operation in addressed bank
	Multiple word program status (buffer enhanced factory program mode)	Status	1	SR7 = '1'	Not allowed
				SR7 = '0'	The device is not ready for the next word or is going to exit BEFP mode
0			SR7 = '1'	The device is exiting from BEFP	
			SR7 = '0'	The device is ready for the next word	

1. Logic level '1' is High, '0' is Low.

2. Reserved bits should always be reset to '0'.

7 Configuration Register

The Configuration Register configures the type of bus access that the memory performs. Refer to [Section 10: Read modes](#) for details on read operations.

The Configuration Register is set through the command interface using the Set Configuration Register command. The Configuration Register is volatile: after a reset or a power-down/power-up sequence, the register is set for asynchronous read (CR15=1) and all bits return to their default value. The Configuration Register bits are described in [Table 16](#). They specify the selection of the burst length, burst X latency and the read operation. Refer to [Figure 6](#) and [Figure 7](#) for examples of synchronous burst configurations.

7.1 Read select bit (CR15)

The read select bit, CR15, switches between asynchronous and synchronous read operations.

When:

- CR15 = 0:
 - Read operations in the main array are performed in synchronous burst mode,
 - Operations to read the Status Register, electronic signature, CFI and EFA are performed in single synchronous mode (See [Section 10.3: Single synchronous read mode](#) for details).
- CR15 = 1:
 - Read operations in the main array are performed in Asynchronous page mode,
 - Operations to read the Status Register, electronic signature, CFI and EFA are performed in asynchronous random access mode.

Synchronous burst read can be performed across banks.

On reset or power-up the read select bit is set to '1' for asynchronous access.

7.2 X latency bits (CR14-CR11)

The X latency bits are used during synchronous read operations to set the number of clock cycles between the address being latched and the first data becoming available.

For correct operation the X latency bits can only assume the values in [Table 16: Configuration Register](#).

[Table 15](#) shows how to set the X latency parameter, taking into account the frequency used to read the Flash memory in synchronous mode.

Refer to [Figure 6: X latency and data output configuration example](#) for an example waveform.

Table 15. X latency settings

f_{\max}	$t_{K\min}$	X latency
40 MHz	25 ns	4
54 MHz	19 ns	5
66 MHz	15 ns	6
108 MHz	9 ns	10

7.3 Wait polarity bit (CR10)

The wait polarity bit sets the polarity of the Wait signal used in synchronous burst read mode.

When:

- CR10 = 0, the Wait signal is active Low.
- CR10 = 1, the Wait signal is active High.

During synchronous burst read mode the Wait signal indicates whether the data output is valid or a Wait state must be inserted.

7.4 Wait configuration bit (CR8)

The wait configuration bit is used to control the timing of the Wait output pin, WAIT, in synchronous burst read mode.

When:

- CR8 = 0, the Wait output pin is asserted during the wait state.
- CR8 = 1, the Wait output pin is asserted one data cycle before the wait state.

When WAIT is asserted, data is not valid and when WAIT is de-asserted, data is valid.

7.5 Burst length bits (CR2-CR0)

The burst length bits set the number of words to be output during a synchronous burst read operation as result of a single address latch cycle.

They can be set for 8 words, 16 words, or continuous burst, where all the words are read sequentially. In continuous burst mode the burst sequence can cross bank boundaries.

In continuous burst mode, the device asserts the Wait signal to indicate that a delay is necessary before the data is output.

In continuous burst mode, if the starting address is not aligned to the 16-word boundary, Wait is asserted when the burst sequence crosses the first 16-word boundary. This indicates that the device needs an internal delay to read the successive words in the array.

In the worst case scenario, the number of wait states is one clock cycle less than the latency setting. Wait is asserted only once during a continuous burst access. See also [Table 17: Burst type definition](#).

CR9, CR7, CR6, CR5, CR4 and **CR3** are reserved for future use.

Table 16. Configuration Register

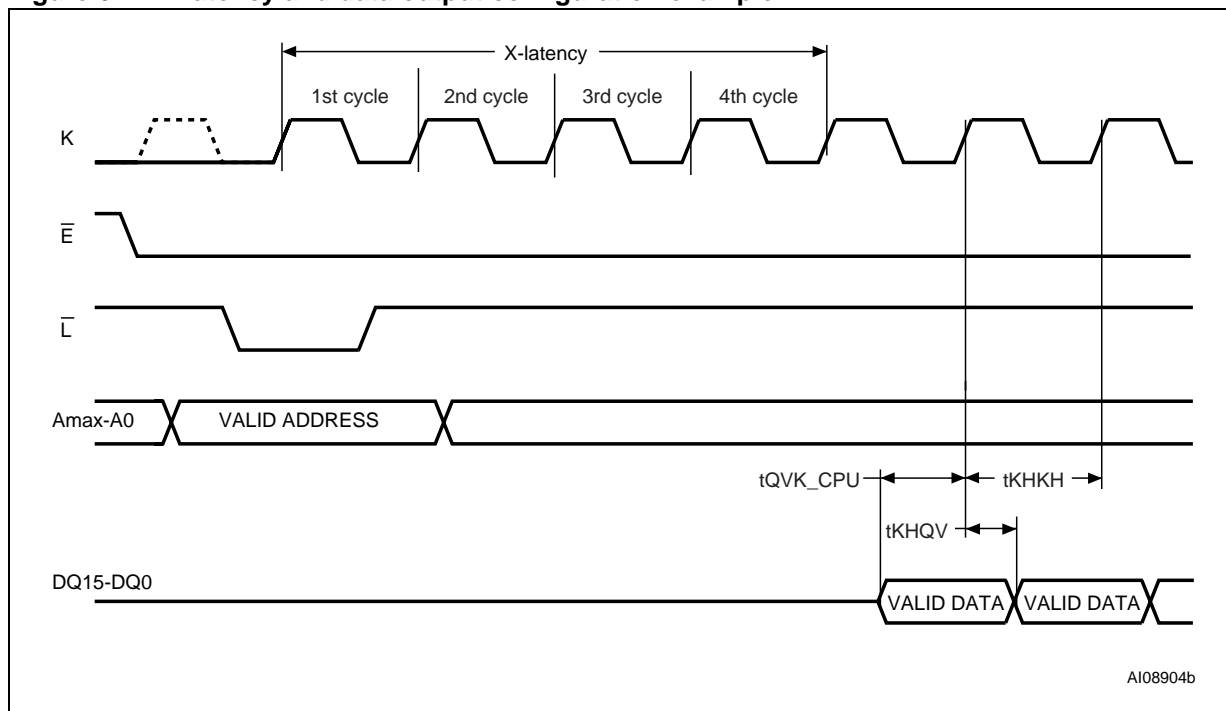
Bit	Description	Value	Description
CR15	Read Select	0	Synchronous read
		1	Asynchronous read (default at power-on)
CR14-CR11	X latency	0011	3 Clock latency
		0100	4 Clock latency
		0101	5 Clock latency
		0110	6 Clock latency
		0111	7 Clock latency
		1000	8 Clock latency
		1001	9 Clock latency
		1010	10 Clock latency
		1011	11 Clock latency
		1100	12 Clock latency
		1101	13 Clock latency
		1110	14 Clock latency
		1111	15 Clock latency (default)
		Other configurations reserved	
CR10	Wait polarity	0	WAIT is active Low (default)
		1	WAIT is active High
CR9	Reserved ⁽¹⁾		
CR8	Wait configuration	0	WAIT is active during wait state
		1	WAIT is active one data cycle before wait state (default) ¹
CR7-CR3	Reserved ⁽¹⁾		
CR2-CR0	Burst length	010	8 words (wrap only)
		011	16 words (wrap only)
		111	Continuous (default, no wrap only)

1. Reserved bits should be cleared to '0'.

Table 17. Burst type definition

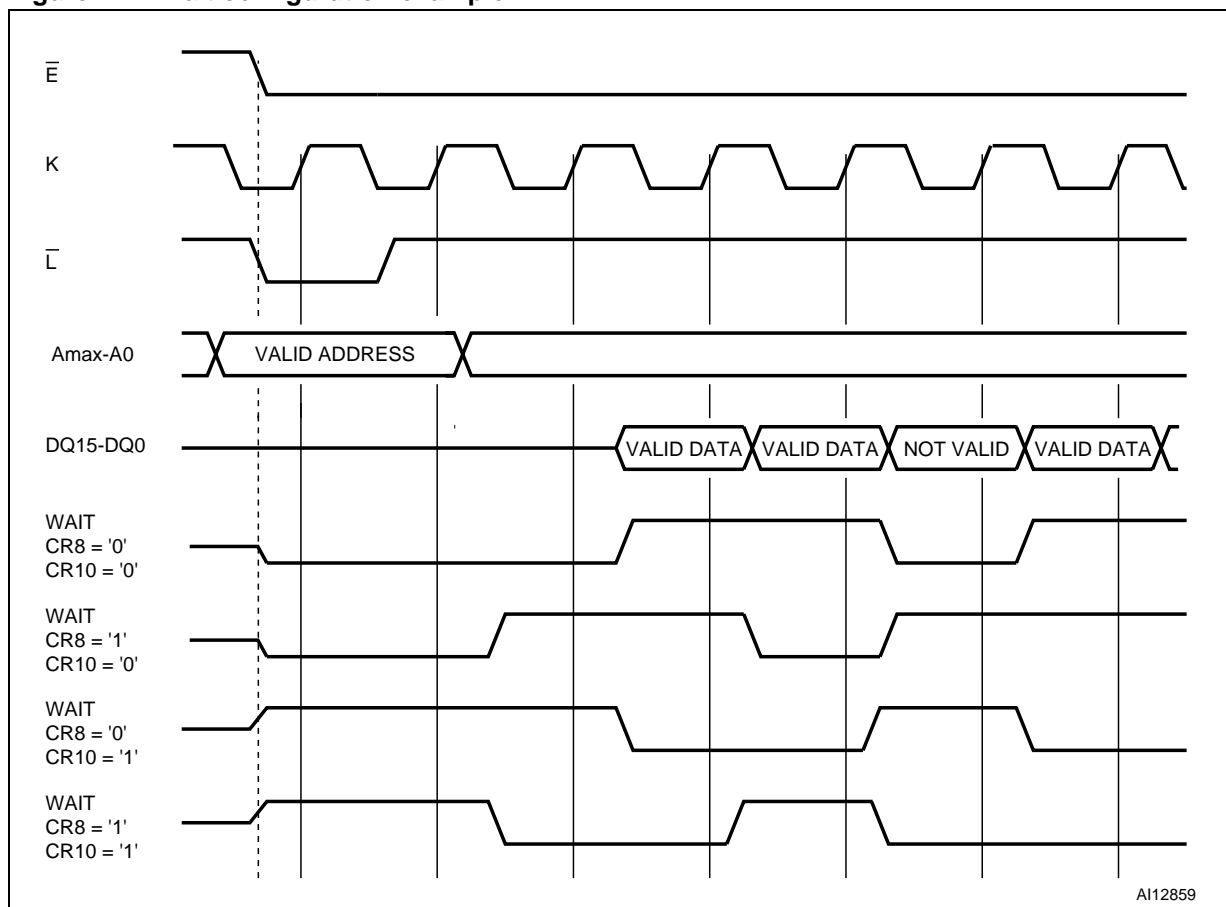
Start address	8 words	16 words	Continuous burst
0	0-1-2-3-4-5-6-7	0-1-2-3-4-5-6-7-8-9-10-11-12-13-14-15	0-1-2-3-4-5-6...
1	1-2-3-4-5-6-7-0	1-2-3-4-5-6-7-8-9-10-11-12-13-14-15-0	1-2-3-4-5-6-7...
2	2-3-4-5-6-7-0-1	2-3-4-5-6-7-8-9-10-11-12-13-14-15-0-1	2-3-4-5-6-7-8...
3	3-4-5-6-7-0-1-2	3-4-5-6-7-8-9-10-11-12-13-14-15-0-1-2	3-4-5-6-7-8-9...
...			
7	7-0-1-2-3-4-5-6	7-8-9-10-11-12-13-14-15-0-1-2-3-4-5-6	7-8-9-10-11-12-13...
...			
12	12-13-14-15-8-9-10-11	12-13-14-15-0-1-2-3-4-5-6-7-8-9-10-11	12-13-14-15-16-17...
13	13-14-15-8-9-10-11-12	13-14-15-0-1-2-3-4-5-6-7-8-9-10-11-12	13-14-15-16-17-18...
14	14-15-8-9-10-11-12-13	14-15-0-1-2-3-4-5-6-7-8-9-10-11-12-13	14-15-16-17-18-19...
15	15-8-9-10-11-12-13-14	15-0-1-2-3-4-5-6-7-8-9-10-11-12-13-14	15-16-17-18-19-20...

Figure 6. X latency and data output configuration example



1. The settings shown are X latency = 4. t_{QVK_CPU} is the data setup time required by the system CPU.

Figure 7. Wait configuration example



8 Enhanced Configuration Register

The ECR (Enhanced Configuration Register) enables the deep power-down mode and configures the output driver strength. It is set through the command interface using the Set Enhanced Configuration Register command.

The contents of the ECR can be read by issuing the Read Electronic Signature command, and then by reading from the bank base address + 06h.

The ECR is volatile: after a reset or a power-down/power-up sequence the register is set to the default value. The Configuration Register bits are described in [Table 18](#).

8.1 Deep power-down mode bit (ECR15)

The deep power-down mode bit, ECR15, enable the deep power-down mode.

The device can only enter the deep power-down mode from standby, by, in any order, asserting the DPD pin and setting ECR15 to '1'.

When the device is in the deep power-down mode, de-asserting the DPD pin and/or resetting ECR15 causes the device to revert to standby mode.

8.2 Deep power-down polarity bit (ECR14)

The deep power-down polarity bit sets the polarity of the DPD signal.

When:

- ECR14 = 0, the DPD signal is active Low (default).
- ECR14 = 1, the DPD signal is active High.

8.3 Output driver control bits (ECR2-ECR0)

The output driver control bits, ECR0, ECR1 and ECR2, selects the output driver impedance best suited to the system requirements.

After reset or power-up the output driver control bits are set to the Enhanced Configuration Register default value (ECR2-ECR0 = 100, that is 30 Ω (30 pF) (default)). Optimum performance is only achieved if the output driver impedance is properly configured.

Once a configuration has been selected, all data and wait output drivers are set to the same setting.

[Table 18](#) lists the output driver impedances at $V_{DDQ}/2$ and the loads that correspond for each ECR2-ECR0 bit configuration.

Table 18. Enhanced Configuration Register

Bit	Description	Value	Description
ECR15	Deep power-down mode	0	DPD mode disabled (default)
		1	DPD mode enabled
ECR14	DPD polarity	0	DPD is active Low (default)
		1	DPD is active High
ECR13-ECR3	Reserved ⁽¹⁾		
ECR2-ECR0	Output driver Impedance	001	90 Ω (10 pF)
		010	60 Ω (15 pF)
		011	45 Ω (20 pF)
		100	30 Ω (30 pF) (default)
		101	20 Ω (35 pF)
		110	15 Ω (40 pF)
		Other configurations reserved	

1. Reserved bits should be cleared to '0'.

9 Extended Flash array (EFA)

In addition to its main array, the M58PRxxxLE features an EFA that is divided into 4 blocks of 4 KWords each. See [Table 5: EFA memory map](#).

The EFA blocks are accessed through a separate set of commands (see [Section 4: Command interface](#) for details).

The operations available on the EFA blocks are asynchronous random access read, single synchronous read, (single word) program, erase, block lock, block unlock, and block lock-down.

The EFA blocks support program/erase suspend and dual operations with the main array. Dual operations between the EFA and the OTP area are not supported. See [Table 21: Dual operation limitations](#) for details.

10 Read modes

Read operations can be performed in two different ways depending on the settings in the Configuration Register. If the clock signal is 'don't care' for the data output, the read operation is asynchronous. If the data output is synchronized with clock, the read operation is synchronous.

The read mode and format of the data output are determined by the Configuration Register. (See [Section 7: Configuration Register](#) for details). All banks support both asynchronous and synchronous read operations.

10.1 Asynchronous read mode

In asynchronous read operations the clock signal is 'don't care'. The device outputs the data corresponding to the address latched, such as the memory array, Status Register, common Flash interface or electronic signature, depending on the command issued. CR15 in the Configuration Register must be set to '1' for asynchronous operations.

Asynchronous read operations can be performed in two different ways, asynchronous random access read and asynchronous page read. Only asynchronous page read takes full advantage of the internal page storage, therefore, different timings are applied.

In asynchronous read mode a page of data is internally read and stored in a page buffer. The page has a size of 16 words and is addressed by address inputs A0, A1, A2 and A3. During the page access, Amax-A4 and \bar{L} must remain stable.

The first read operation within the page has a longer access time (t_{AVQV} , Random access time); subsequent reads within the same page have much shorter access times (t_{AVQV1} , page access time). If the page changes then the normal, longer timings apply again.

Read operations to read non-array data (Status Register, electronic signature, CFI) should be performed in asynchronous single word mode. If the asynchronous page mode is used to read non-array data, only the first output data is valid and all subsequent data is not accurately determined.

The asynchronous page read mode is not available in the EFA.

The device features an Automatic Standby mode. During asynchronous read operations, after a bus inactivity of 150 ns, the device automatically switches to automatic standby mode. In this state the power consumption is reduced to the standby value and the outputs are still driven.

In asynchronous read mode, the Wait signal is always de-asserted.

See [Table 29: Asynchronous read AC characteristics](#), [Figure 10: Asynchronous random access read AC waveforms](#) and [Figure 11: Asynchronous page read AC waveforms](#) for details.

10.2 Synchronous burst read mode

In synchronous burst read mode the data is output in bursts synchronized with the clock. It is possible to perform burst reads across bank boundaries.

Synchronous burst read mode can only be used to read the memory array. For other read operations, such as read Status Register, read CFI, read electronic signature and read EFA, single synchronous read or asynchronous random access read must be used.

In synchronous burst read mode, the flow of the data output depends on parameters that are configured in the Configuration Register. A burst sequence starts at the first clock edge after the falling edge of Latch Enable or Chip Enable, whichever occurs last. Addresses are internally incremented and data is output on each data cycle after a delay which depends on the X latency bits CR14-CR11 of the Configuration Register.

The number of words to be output during a synchronous burst read operation can be configured as 8 words, 16 words or continuous (burst length bits CR2-CR0).

The Wait signal may be asserted to indicate to the system that an output delay will occur. This delay depends on the starting address of the burst sequence and on the burst configuration.

Wait is asserted during the X latency, the wait state, and at the end of an 8- and 16-word burst. It is only de-asserted when output data is valid.

In continuous burst read mode, a wait state occurs when crossing the first 16-word boundary if the start address is not 16-word aligned.

The Wait signal can be configured to be active Low or active High by setting CR10 in the Configuration Register.

See [Table 30: Synchronous read AC characteristics](#) and [Figure 12: Synchronous burst read AC waveforms](#) for details.

10.3 Single synchronous read mode

Single synchronous read operations are similar to synchronous burst read operations except that the memory outputs the same data until the burst length requirements are satisfied (according to Configuration Register bits CR2-CR0).

Single synchronous read operations are used to read the EFA, electronic signature, Status Register, CFI, block protection status, Configuration Register status or Protection Register.

When the addressed bank is in read CFI, read Status Register or read electronic signature mode, the Wait signal is asserted during the X latency, the wait state and at the end of a 4-, 8- and 16-word burst. It is only de-asserted when the output data is valid.

See [Table 30: Synchronous read AC characteristics](#) and [Figure 12: Synchronous burst read AC waveforms](#) for details.

11 Dual operations and multiple bank architecture

The multiple bank architecture of the M58PRxxxLE gives greater flexibility for software developers to split the code and data spaces within the memory array. The dual operations feature simplifies the software management of the device by allowing code to be executed from one bank while another bank is being programmed or erased.

The dual operations feature means that while programming or erasing in one bank, read operations are possible in another bank with zero latency (only one bank at a time is allowed to be in program or erase mode).

If a read operation is required in a bank, which is programming or erasing, the program or erase operation can be suspended.

Also, if the suspended operation was erase then a Program command can be issued to another block. This means the device can have one block in erase suspend mode, one programming and other banks in read mode.

Bus read operations are allowed in another bank between setup and confirm cycles of program or erase operations.

By using a combination of these features, read operations are possible at any moment in the M58PRxxxLE device.

Dual operations between the EFA and either of the CFI, the OTP, or the electronic signature memory space are not allowed. [Table 21](#) shows which dual operations are allowed or not between the CFI, the OTP, the electronic signature locations and the memory array.

[Table 19](#) and [Table 20](#) show the dual operations possible in other banks and in the same bank.

Table 19. Dual operations allowed in other banks

Status of bank	Commands allowed in another bank								
	Read Array	Read Status Register	Read CFI Query	Read Electronic Signature	Read EFA	Program, Buffer Program	Block Erase	Program/ Erase Suspend	Program/ Erase Resume
Idle	Yes	Yes	Yes	Yes	Yes	Yes	Yes	Yes	Yes
Programming	Yes	Yes	Yes	Yes	Yes	–	–	Yes	–
Erasing	Yes	Yes	Yes	Yes	Yes	–	–	Yes	–
Program suspended	Yes	Yes	Yes	Yes	Yes	–	–	–	Yes
Erase suspended	Yes	Yes	Yes	Yes	Yes	Yes	–	–	Yes

Table 20. Dual operations allowed in same bank

Status of bank	Commands allowed in same bank								
	Read Array	Read Status Register	Read CFI Query	Read Electronic Signature	Read EFA	Program, Buffer Program	Block Erase	Program/ Erase Suspend	Program/ Erase Resume
Idle	Yes	Yes	Yes	Yes	Yes	Yes	Yes	Yes	Yes
Programming	– ⁽¹⁾	Yes	Yes	Yes	Yes	–	–	Yes	–
Erasing	– ⁽¹⁾	Yes	Yes	Yes	Yes	–	–	Yes	–
Program suspended	Yes ⁽²⁾	Yes	Yes	Yes	Yes	–	–	–	Yes
Erase suspended	Yes ⁽²⁾	Yes	Yes	Yes	Yes	Yes ⁽¹⁾	–	–	Yes

1. The Read Array command is accepted but the data output is not guaranteed until the program or erase has completed.

2. Not allowed in the block that is being erased or in the program region that is being programmed.

Table 21. Dual operation limitations

OTP, EFA or CFI data	Main array bank	Comments
Read	Program/erase	While programming or erasing in a main array bank, the OTP, CFI data and EFA blocks may be read from any other bank.
Program	Read	While programming to the OTP area, read operations are only allowed in the other main array banks. Access to EFA data or CFI data is not allowed.
Program/erase	Read	While programming or erasing an EFA block, it is not allowed to read OTP or CFI data. Read operations to the banks whose addresses are not being used to address the EFA, are supported.

12 Block locking

The M58PRxxxLE features an instant, individual block locking scheme that allows any block to be locked or unlocked with no latency. This locking scheme has three levels of protection.

- Lock/unlock - this first level allows software only control of block locking.
- Lock-down - this second level requires hardware interaction before locking can be changed.
- $V_{PP} \leq V_{PPLK}$ - the third level offers a complete hardware protection against program and erase on all blocks.

The protection status of each block can be set to locked, unlocked, and locked-down. [Table 22](#) defines all of the possible protection states (\overline{WP} , DQ1, DQ0), and [Appendix C](#), [Figure 25](#) shows a flowchart for the locking operations.

12.1 Reading a block's lock status

The lock status of every block can be read in the read electronic signature mode of the device. To enter this mode issue the Read Electronic Signature command. Subsequent reads at the address specified in [Table 10](#) output the protection status of that block.

The lock status is represented by DQ0 and DQ1. DQ0 indicates the block lock/unlock status and is set by the Lock command and cleared by the Unlock command. DQ0 is automatically set when entering lock-down. DQ1 indicates the lock-down status and is set by the lock-down command. DQ1 cannot be cleared by software, only by a hardware reset or power-down.

The following sections explain the operation of the locking system.

12.2 Locked state

The default status of all blocks on power-up or after a hardware reset is locked (states (0,0,1) or (1,0,1)). Locked blocks are fully protected from program or erase operations. Any program or erase operations attempted on a locked block returns an error in the Status Register. The status of a locked block can be changed to unlocked or locked-down using the appropriate software commands. An unlocked block can be locked by issuing the Lock command.

12.3 Unlocked state

Unlocked blocks (states (0,0,0), (1,0,0) (1,1,0)) can be programmed or erased. All unlocked blocks return to the locked state after a hardware reset or when the device is powered-down. The status of an unlocked block can be changed to locked or locked-down using the appropriate software commands. A locked block can be unlocked by issuing the unlock command.

12.4 Lock-down state

Blocks that are locked-down (state (0,1,x)) are protected from program and erase operations (as for locked blocks) but their protection status cannot be changed using software commands alone. A locked or unlocked block can be locked down by issuing the Lock-down command. Locked-down blocks revert to the locked state when the device is reset or powered-down.

The lock-down function is dependent on the Write Protect, \overline{WP} , input pin.

When $\overline{WP} = 0$ (V_{IL}), the blocks in the lock-down state (0,1,x) are protected from program, erase and protection status changes.

When $\overline{WP} = 1$ (V_{IH}) the lock-down function is disabled (1,1,x) and locked-down blocks can be individually unlocked to the (1,1,0) state by issuing the software command, where they can be erased and programmed.

When the lock-down function is disabled ($\overline{WP}=1$) blocks can be locked (1,1,1) and unlocked (1,1,0) as desired. When $\overline{WP} = 0$ blocks that were previously locked-down return to the Lock-down state (0,1,x) regardless of any changes that were made while $\overline{WP} = 1$.

Device reset or power-down resets all blocks, including those in lock-down, to the locked state.

12.5 Locking operations during erase suspend

Changes to block lock status can be performed during an erase suspend by using the standard locking command sequences to unlock, lock or lock down a block. This is useful in the case when another block needs to be updated while an erase operation is in progress.

To change block locking during an erase operation, first write the Erase Suspend command, then check the Status Register until it indicates that the erase operation has been suspended. Next, write the desired lock command sequence to a block and the lock status is changed. After completing any desired lock, read, or program operations, resume the erase operation with the Erase Resume command.

If a block is locked or locked-down during an Erase Suspend of the same block, the locking status bits are changed immediately, but when the erase is resumed, the erase operation completes. Locking operations cannot be performed during a program suspend.

Table 22. Lock status

Current protection status ⁽¹⁾ (\overline{WP} , DQ1, DQ0)		Next protection status ⁽¹⁾ (\overline{WP} , DQ1, DQ0)			
Current state	Program/erase allowed	After Block Lock command	After Block Unlock command	After Block Lock-down command	After \overline{WP} transition
1,0,0	yes	1,0,1	1,0,0	1,1,1	0,0,0
1,0,1 ⁽²⁾	no	1,0,1	1,0,0	1,1,1	0,0,1
1,1,0	yes	1,1,1	1,1,0	1,1,1	0,1,1
1,1,1	no	1,1,1	1,1,0	1,1,1	0,1,1
0,0,0	yes	0,0,1	0,0,0	0,1,1	1,0,0
0,0,1 ⁽²⁾	no	0,0,1	0,0,0	0,1,1	1,0,1
0,1,1	no	0,1,1	0,1,1	0,1,1	1,1,1 or 1,1,0 ⁽³⁾

1. The lock status is defined by the write protect pin and by DQ1 ('1' for a locked-down block) and DQ0 ('1' for a locked block) as read in the Read Electronic Signature command with A1 = V_{IH} and A0 = V_{IL}.
2. All blocks are locked at power-up, so the default configuration is 001 or 101 according to \overline{WP} status.
3. A \overline{WP} transition to V_{IH} on a locked block will restore the previous DQ0 value, giving a 111 or 110.

13 Program and erase times and endurance cycles

The program and erase times and the number of program/ erase cycles per block are shown in [Table 23](#). Exact erase times may change depending on the memory array condition. The best scenario is when all the bits in the block are at '0' (pre-programmed). The worst scenario is when all the bits in the block are at '1' (not preprogrammed). Usually, the system overhead is negligible with respect to the Erase time. In the M58PRxxxLE the maximum number of program/erase cycles depends on the V_{PP} voltage supply used.

Table 23. Program/erase times and endurance cycles^{(1) (2)}

Parameter		Condition	Min	Typ	Typical after 100 kW/E cycles	Max	Unit	
$V_{PP} = V_{DD}$	Erase	EFA block (4 KWord)		0.7		2.5	s	
		Main array block (128 KWord)		0.9		4	s	
	Program ⁽³⁾	Single cell ⁽⁴⁾	Word Program ⁽⁵⁾		50		230	μ s
			Buffer Program		250		500	μ s
		Single word ⁽⁴⁾	Word Program ⁽⁵⁾		50		230	μ s
			Buffer Program		250		500	μ s
		Buffer (512 words) (Buffer Program)			2.15		4.3	ms
		EFA block (4 KWord)			0.2		0.94	s
	Main array block (128 KWord) (Buffer Program)			0.55		1.1	s	
	Suspend Latency	Program			20		30	μ s
		Erase			20		30	μ s
	Program/Erase cycles (per block)	Main array block		100 000				cycles
		EFA block		100 000				
Blank Check	Main array block			3.2			ms	

Table 23. Program/erase times and endurance cycles^{(1) (2)} (continued)

Parameter		Condition	Min	Typ	Typical after 100 kW/E cycles	Max	Unit	
V _{PP} = V _{PPH}	Erase	EFA block (4 KWord)		0.7		2.5	s	
		Main array block (128 KWord)		0.9		4	s	
	Program ⁽³⁾	Single cell ⁽⁴⁾	Word Program ⁽⁵⁾		50		230	μs
		Single word ⁽⁴⁾	Word Program ⁽⁵⁾		50		230	μs
			Buffer Enhanced Factory Program ⁽⁴⁾		4.2			μs
			Buffer (512 words)	Buffer Program		2.15		4.3
		Buffer Enhanced Factory Program			2.15			ms
		Main block (128 KWords)	Buffer Program		0.55		1.1	s
			Buffer Enhanced Factory Program		0.55			s
		EFA block (4 KWords)		0.2		0.94		
	Program/Erase cycles (per block)	Main array block (128 KWords)		100 000				cycles
		EFA block (4 KWords)		100 000				
	Blank Check	Main array block			3.2			ms

1. T_A = -30 to 85 °C; V_{DD} = 1.7 V to 2 V; V_{DDQ} = 1.7 V to 2 V.
2. Values are liable to change with the external system-level overhead (command sequence and Status Register polling execution).
3. Excludes the time needed to execute the command sequence.
4. This is an average value on the entire device.
5. The first Word Program in a program region will take 115 μs, the subsequent words will take 50 μs to program.

14 Maximum ratings

Stressing the device above the ratings listed in [Table 24: Absolute maximum ratings](#) may cause permanent damage to the device. These are stress ratings only and operation of the device at these or any other conditions above those indicated in the operating sections of this specification is not implied. Exposure to absolute maximum rating conditions for extended periods may affect device reliability. Refer also to the STMicroelectronics SURE Program and other relevant quality documents.

Table 24. Absolute maximum ratings

Symbol	Parameter	Value		Unit
		Min	Max	
T_A	Ambient operating temperature	-30	85	°C
T_{BIAS}	Temperature under bias	-30	85	°C
T_{STG}	Storage temperature	-65	125	°C
V_{IO}	Input or output voltage	-1	3	V
V_{DD}	Supply voltage	-1	3	V
V_{DDQ}	Input/output supply voltage	-1	3	V
V_{PP}	Program voltage	-1	10	V
I_O	Output short circuit current		100	mA
t_{VPPH}	Time for V_{PP} at V_{PPH}		100	hours

15 DC and AC parameters

This section summarizes the operating measurement conditions, and the DC and AC characteristics of the device. The parameters in the DC and AC characteristics tables in this section are derived from tests performed under the measurement conditions summarized in [Table 25: Operating and AC measurement conditions](#). Designers should check that the operating conditions in their circuit match the operating conditions when relying on the quoted parameters.

Table 25. Operating and AC measurement conditions

Parameter	Min	Max	Units
V_{DD} supply voltage	1.7	2.0	V
V_{DDQ} supply voltage	1.7	2.0	V
V_{PP} supply voltage (factory environment)	8.5	9.5	V
V_{PP} supply voltage (application environment)	0.9	2.0	V
Ambient operating temperature	-30	85	°C
Load capacitance (C_L)	30		pF
Input rise and fall times		3	ns
Input pulse voltages	0 to V_{DDQ}		V
Input and output timing ref. voltages	$V_{DDQ}/2$		V

Figure 8. AC measurement I/O waveform

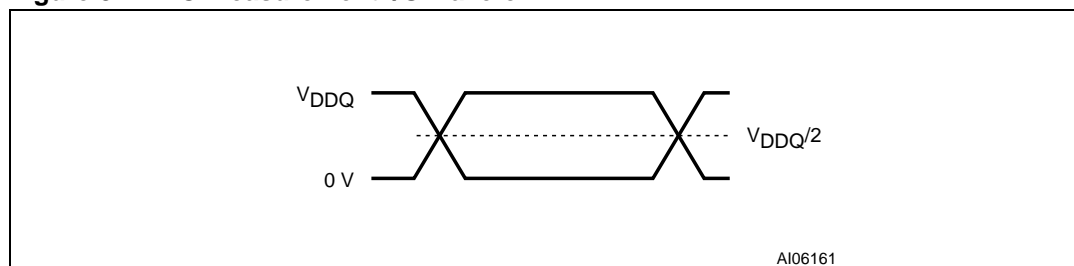
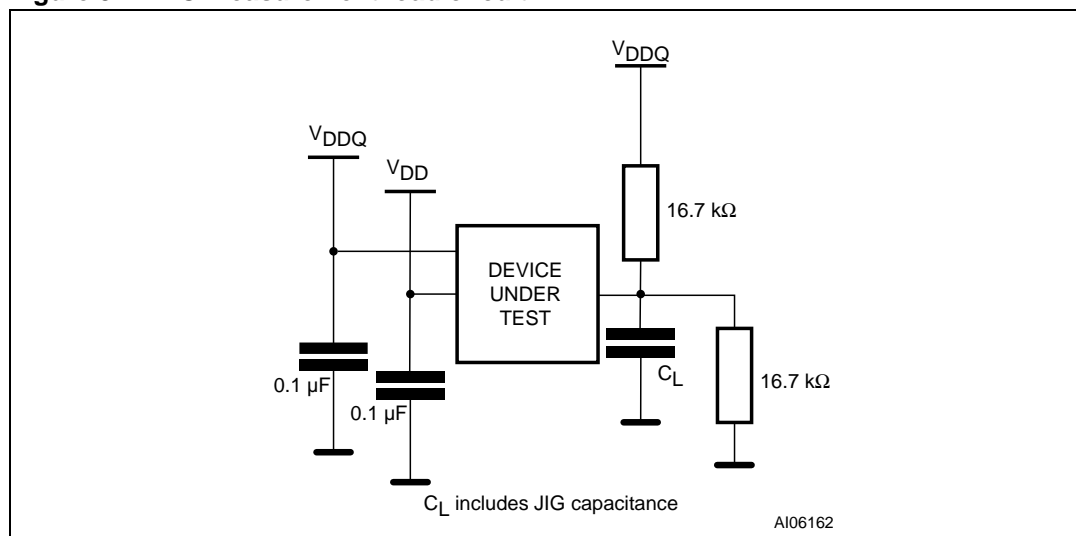


Figure 9. AC measurement load circuit

Table 26. Capacitance⁽¹⁾

Symbol	Parameter	Test condition	Min	Max	Unit
C_{IN}	Input capacitance	$V_{IN} = 0 \text{ V}$	2	8	pF
C_{OUT}	Output capacitance	$V_{OUT} = 0 \text{ V}$	4	8	pF

1. Sampled only, not 100% tested.

Table 27. DC characteristics - currents

Symbol	Parameter	Test condition ⁽¹⁾	Typ	Max	Unit	
I_{LI}	Input leakage current	$0 V \leq V_{IN} \leq V_{DDQ}$		± 1	μA	
I_{LO}	Output leakage current	$0 V \leq V_{OUT} \leq V_{DDQ}$		± 1	μA	
I_{DD1}	Supply current Asynchronous read (f=5 MHz)	$\bar{E} = V_{IL}, \bar{G} = V_{IH}$	25	35	mA	
	Supply current Page read (f=13 MHz)		11	15	mA	
	Supply current Synchronous read (f=66 MHz)	8 word	22	32	mA	
		16 word	19	26	mA	
		Continuous	25	34	mA	
	Supply current Synchronous read (f = 108 MHz)	8 word	26	36	mA	
		16 word	23	30	mA	
Continuous		30	42	mA		
I_{DD2}	Supply current (reset)	$\bar{R}\bar{P} = V_{SS} \pm 0.2 V$	256 Mbit	35	95	μA
			512 Mbit	50	120	
			1 Gbit	70	224	
I_{DD3}	Supply current (standby)	$\bar{E} = V_{DDQ} \pm 0.2 V$ $K = V_{SS}$	256 Mbit	35	95	μA
			512 Mbit	50	120	
			1 Gbit	70	224	
$I_{DD4}^{(1)}$	Supply current (automatic standby)	$\bar{E} = V_{IL}, \bar{G} = V_{IH},$ $\bar{R}\bar{P} = V_{IH}$	256 Mbit	35	95	μA
			512 Mbit	50	120	
			1 Gbit	70	224	
$I_{DD5}^{(2)}$	Supply current (deep power- down)		2	45	μA	
$I_{DD6}^{(3)}$	Supply current (program)	$V_{PP} = V_{PPH}, V_{PP} = V_{DD}$	35	50	mA	
	Supply current (erase)	$V_{PP} = V_{PPH}, V_{PP} = V_{DD}$	35	50	mA	
	Supply current (blank check)	$V_{PP} = V_{PPH}, V_{PP} = V_{DD}$	35	50	mA	
$I_{DD7}^{(3)(4)}$	Supply current (dual operations)	Program/erase in one bank, asynchronous read in another bank	60	80	mA	
		Program/erase in one bank, synchronous read (continuous, f = 108 MHz) in another bank	65	92	mA	
$I_{DD8}^{(3)}$	Supply current program/ erase suspended (standby)	$\bar{E} = V_{DDQ} \pm 0.2 V$ $K = V_{SS}$	256 Mbit	35	95	μA
			512 Mbit	50	120	
			1 Gbit	70	224	

Table 27. DC characteristics - currents (continued)

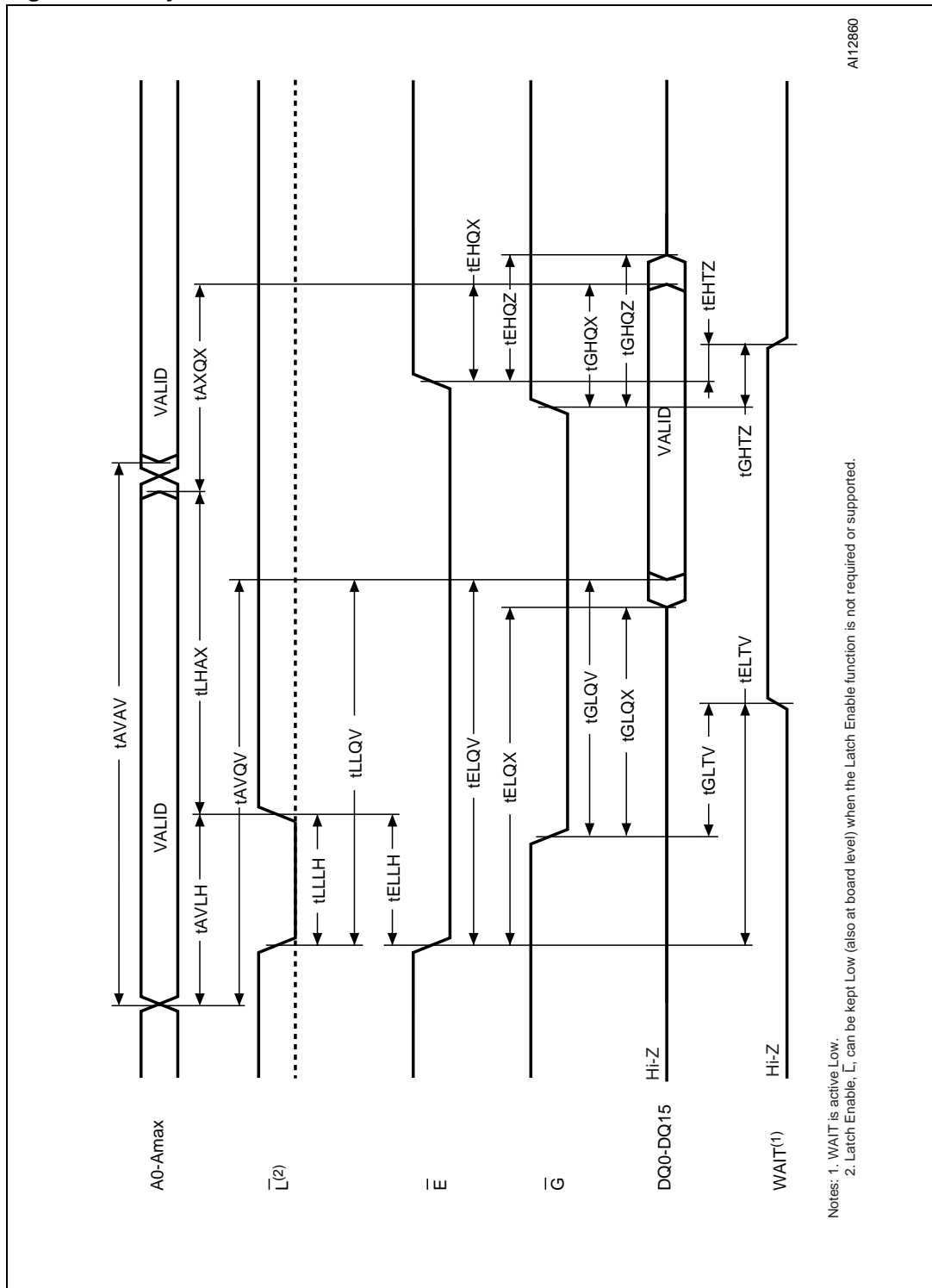
Symbol	Parameter	Test condition ⁽¹⁾	Typ	Max	Unit
$I_{PP1}^{(3)}$	V_{PP} supply current (program)	$V_{PP} = V_{PPH}$	8	22	mA
		$V_{PP} = V_{DD}$	0.05	0.1	mA
	V_{PP} supply current (erase)	$V_{PP} = V_{PPH}$	8	22	mA
		$V_{PP} = V_{DD}$	0.05	0.1	mA
I_{PP2}	V_{PP} supply current (read)	$V_{PP} \leq V_{DD}$	2	15	μ A
$I_{PP3}^{(3)}$	V_{PP} supply current (standby, program/erase suspend)	$V_{PP} \leq V_{DD}$	0.2	5	μ A
I_{PP4}	V_{PP} supply current (blank check)	$V_{PP} = V_{PPH}$	0.05	0.1	mA
		$V_{PP} = V_{PP1}$	0.05	0.1	mA

1. All inputs stable.
2. The DPD current is measured 40 μ s after entering the deep power-down mode.
3. Sampled only, not 100% tested.
4. V_{DD} dual operation current is the sum of read and program or erase currents.

Table 28. DC characteristics - voltages

Symbol	Parameter	Test condition	Min	Typ	Max	Unit
V_{IL}	Input low voltage		0		0.4	V
V_{IH}	Input high voltage		$V_{DDQ} - 0.4$		$V_{DDQ} + 0.4$	V
V_{OL}	Output low voltage	$I_{OL} = 100 \mu$ A			0.1	V
V_{OH}	Output high voltage	$I_{OH} = -100 \mu$ A	$V_{DDQ} - 0.1$			V
V_{PP1}	V_{PP} program voltage-logic	Program, erase	1.1	1.8	3.3	V
V_{PPH}	V_{PP} program voltage factory	Program, erase	8.5	9.0	9.5	V
V_{PPLK}	Program or erase lockout				0.4	V
V_{LKO}	V_{DD} lock voltage		1			V
V_{RPH}	\overline{RP} pin extended high voltage				3.3	V
V_{LKOQ}	V_{DDQ} lock voltage		0.9			V

Figure 10. Asynchronous random access read AC waveforms



A112860

Figure 11. Asynchronous page read AC waveforms

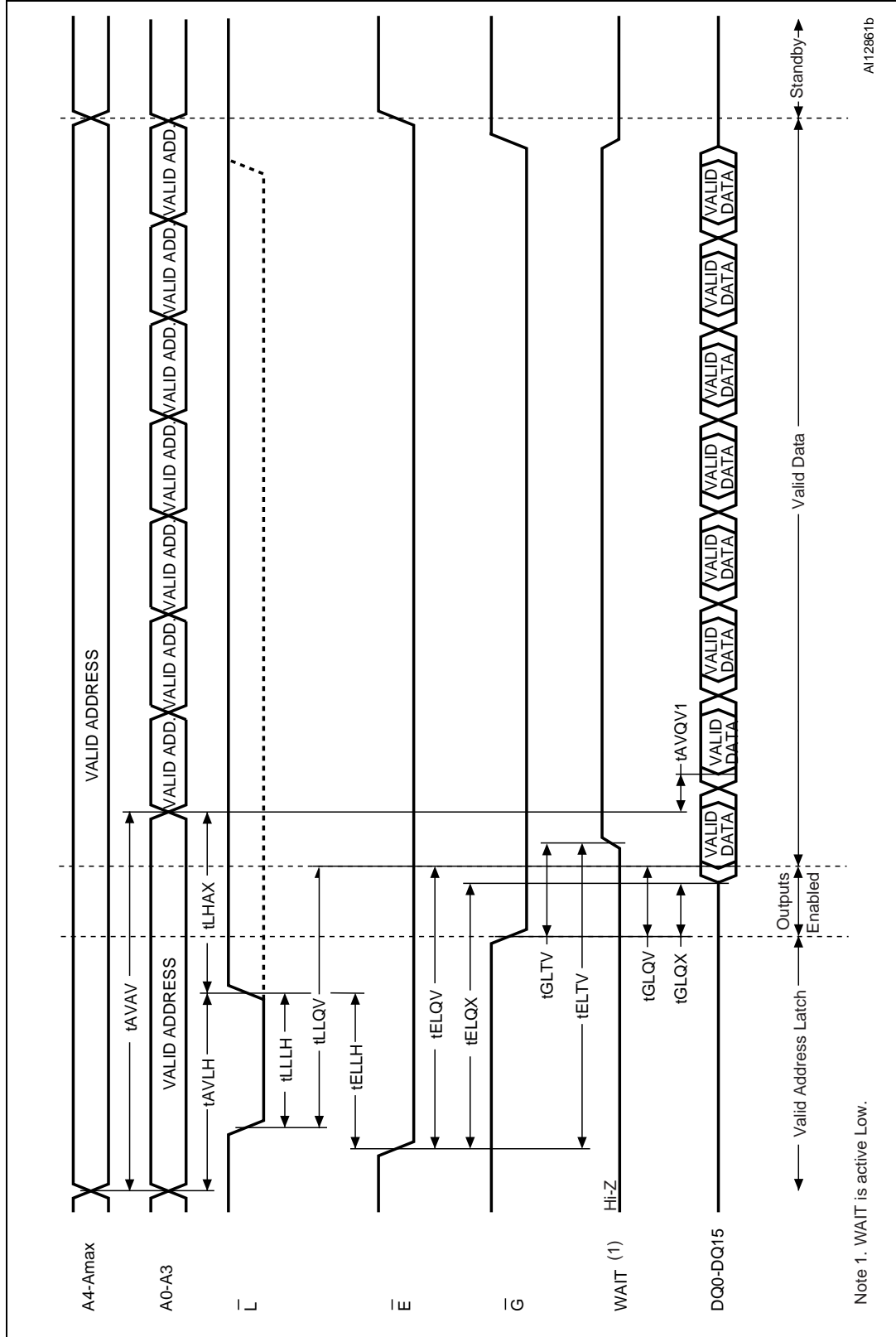


Table 29. Asynchronous read AC characteristics

Symbol	Alt	Parameter		108 MHz	66 MHz	Unit	
Read timings	t_{AVAV}	t_{RC}	Address Valid to Next Address Valid	Min	96	96	ns
	t_{AVQV}	t_{ACC}	Address Valid to Output Valid (random)	Max	96	96	ns
	t_{AVQV1}	t_{PAGE}	Address Valid to Output Valid (page)	Max	20	25	ns
	$t_{AXQX}^{(1)}$	t_{OH}	Address Transition to Output transition	Min	0	0	ns
	t_{ELTV}		Chip Enable Low to Wait Valid	Max	14	14	ns
	$t_{ELQV}^{(2)}$	t_{CE}	Chip Enable Low to Output Valid	Max	96	96	ns
	$t_{ELQX}^{(1)}$	t_{LZ}	Chip Enable Low to Output transition	Min	0	0	ns
	t_{EHTZ}		Chip Enable High to Wait Hi-Z	Max	9	14	ns
	$t_{EHQX}^{(1)}$	t_{OH}	Chip Enable High to Output transition	Min	0	0	ns
	$t_{EHQZ}^{(1)}$	t_{HZ}	Chip Enable High to Output Hi-Z	Max	9	14	ns
	$t_{GLQV}^{(2)}$	t_{OE}	Output Enable Low to Output Valid	Max	20	20	ns
	$t_{GLQX}^{(1)}$	t_{OLZ}	Output Enable Low to Output transition	Min	0	0	ns
	t_{GLTV}		Output Enable Low to Wait Valid	Max	7	11	ns
	$t_{GHQX}^{(1)}$	t_{OH}	Output Enable High to Output transition	Min	0	0	ns
	$t_{GHQZ}^{(1)}$	t_{DF}	Output Enable High to Output Hi-Z	Max	9	14	ns
t_{GHTZ}		Output Enable High to Wait Hi-Z	Max	9	17	ns	
Latch timings	t_{AVLH}	t_{AVADVH}	Address Valid to Latch Enable High	Min	5	5	ns
	t_{ELLH}	t_{ELADVH}	Chip Enable Low to Latch Enable High	Min	9	10	ns
	t_{LHAX}	t_{ADVHAX}	Latch Enable High to Address transition	Min	5	5	ns
	t_{LLLH}	$t_{ADVLADVH}$	Latch Enable Pulse width	Min	7	7	ns
	t_{LLQV}	t_{ADVLQV}	Latch Enable Low to Output Valid (random)	Max	96	96	ns

1. Sampled only, not 100% tested.

2. \bar{Q} may be delayed by up to $t_{ELQV} - t_{GLQV}$ after the falling edge of \bar{E} without increasing t_{ELQV} .

Figure 13. Single synchronous read AC waveforms

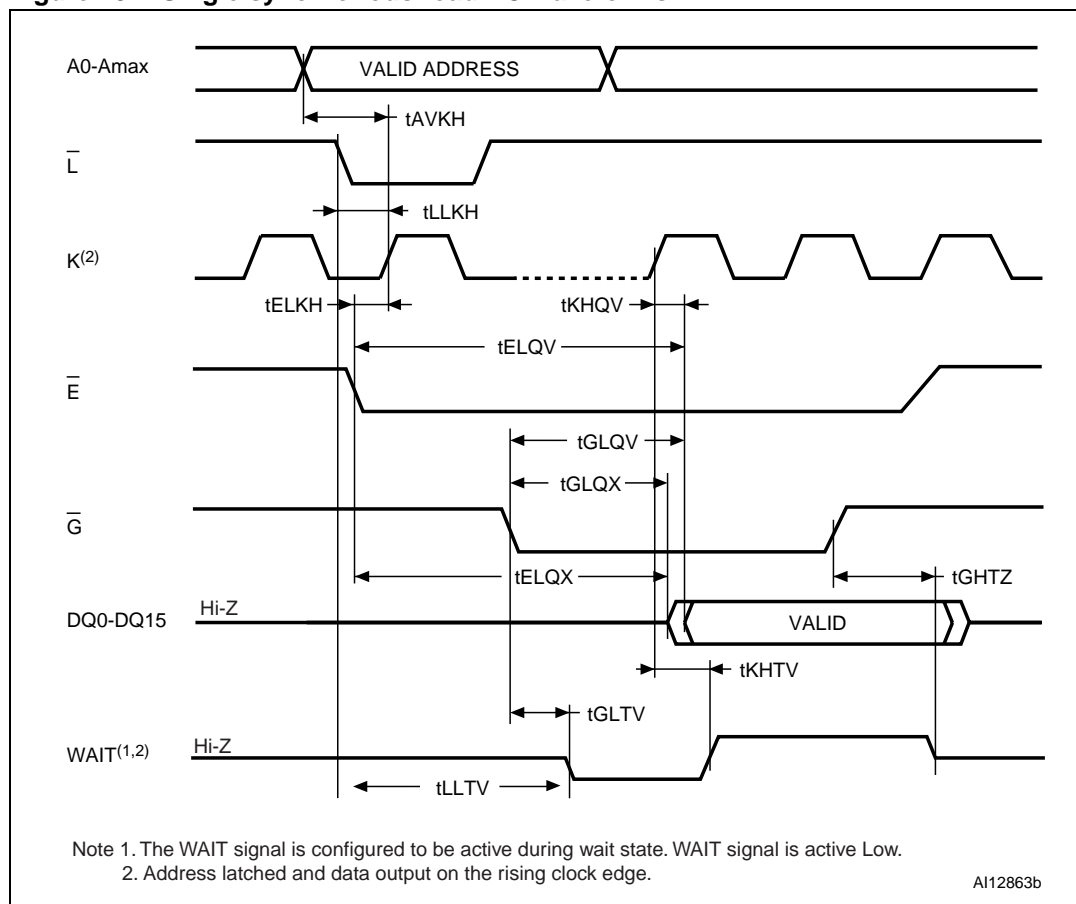


Figure 14. Clock input AC waveform

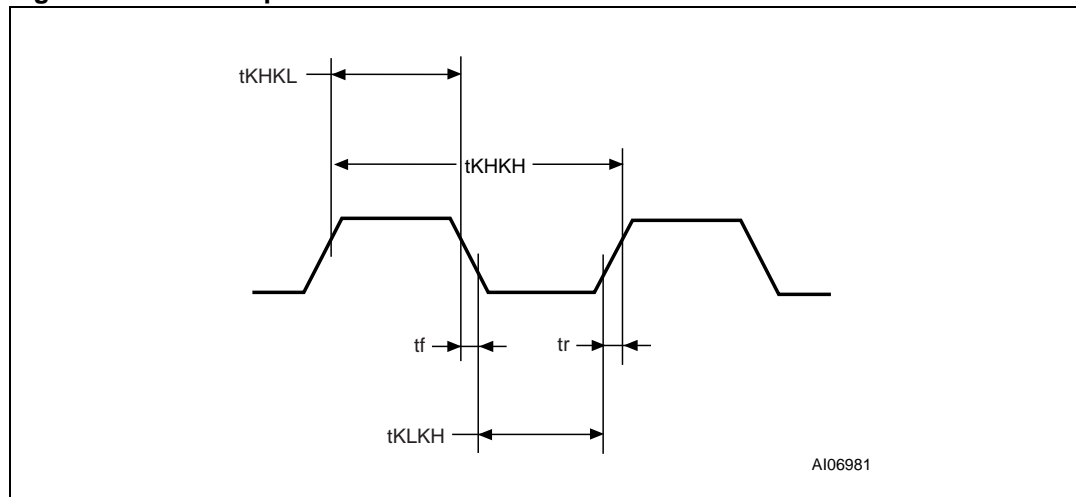


Table 30. Synchronous read AC characteristics

Symbol	Alt	Parameter		108 MHz	66 MHz	Unit	
Synchronous Read timings	t_{AVKH}	t_{AVCLKH}	Address Valid to Clock High	Min	5	5	ns
	t_{ELKH}	t_{ELCLKH}	Chip Enable Low to Clock High	Min	5	5	ns
	t_{EHEL}		Chip Enable Pulse width (subsequent synchronous reads)	Min	9	11	ns
	t_{EHTZ}		Chip Enable High to Wait Hi-Z	Max	9	11	ns
	t_{KHAX}	t_{CLKHAX}	Clock High to Address transition	Min	5	5	ns
	t_{KHQV} t_{KHTV}	t_{CLKHQV}	Clock High to Output Valid Clock High to WAIT Valid	Max	7	11	ns
	t_{KHQX} t_{KHTX}	t_{CLKHQX}	Clock High to Output transition Clock High to WAIT transition	Min	2	3	ns
	t_{LLKH}	$t_{ADVLCLKH}$	Latch Enable Low to Clock High	Min	5	5	ns
	t_{LLTV}		Latch Enable Low to WAIT Valid	Max	14	14	ns
Clock specifications	t_{KHKH}	t_{CLK}	Clock period (f=66 MHz)	Min		15	ns
			Clock period (f=108 MHz)	Min	9		ns
	t_{KHKL} t_{KLKH}		Clock High to Clock Low Clock Low to Clock High	Min	2.5	3.5	ns
	t_f t_r		Clock fall or rise time	Min	0.3	-	ns
				Max	2	3	ns

1. Sampled only, not 100% tested.
2. For other timings please refer to [Table 29: Asynchronous read AC characteristics](#).

Table 31. Write AC characteristics, write enable controlled⁽¹⁾

Symbol	Alt	Parameter		108 MHz	66 MHz	Unit	
Write Enable Controlled timings	t_{AVAV}	t_{WC}	Address Valid to Next Address Valid	Min	96	96	ns
	t_{AVLH}		Address Valid to Latch Enable High	Min	5	5	ns
	$t_{AVWH}^{(2)}$		Address Valid to Write Enable High	Min	40	40	ns
	t_{DVWH}	t_{DS}	Data Valid to Write Enable High	Min	40	40	ns
	t_{ELLH}		Chip Enable Low to Latch Enable High	Min	9	10	ns
	t_{ELWL}	t_{CS}	Chip Enable Low to Write Enable Low	Min	0	0	ns
	t_{ELQV}		Chip Enable Low to Output Valid	Min	96	96	ns
	t_{ELKH}		Chip Enable Low to Clock High	Min	5	5	ns
	t_{GHWL}		Output Enable High to Write Enable Low	Min	14	17	ns
	t_{LHAX}		Latch Enable High to Address transition	Min	5	5	ns
	t_{LLLH}		Latch Enable Pulse width	Min	7	7	ns
	$t_{WHAV}^{(2)}$		Write Enable High to Address Valid	Min	0	0	ns
	$t_{WHAX}^{(2)}$	t_{AH}	Write Enable High to Address transition	Min	0	0	ns
	t_{WHDX}	t_{DH}	Write Enable High to Input transition	Min	0	0	ns
	t_{WHEH}	t_{CH}	Write Enable High to Chip Enable High	Min	0	0	ns
	$t_{WHEL}^{(3)}$		Write Enable High to Chip Enable Low	Min	20	20	ns
	t_{WHGL}		Write Enable High to Output Enable Low	Min	0	0	ns
	$t_{WHLL}^{(3)}$		Write Enable High to Latch Enable Low	Min	20	20	ns
	Protection timings	t_{WHWL}	t_{WPH}	Write Enable High to Write Enable Low	Min	20	20
t_{WHQV}			Write Enable High to Output Valid	Min	116	116	ns
t_{WLWH}		t_{WP}	Write Enable Low to Write Enable High	Min	40	40	ns
t_{QVVPL}			Output (Status Register) Valid to V_{PP} Low	Min	0	0	ns
t_{QVWPL}			Output (Status Register) Valid to Write Protect Low	Min	0	0	ns
t_{VPHWH}		t_{VPS}	V_{PP} High to Write Enable High	Min	200	200	ns
t_{WHVPL}			Write Enable High to V_{PP} Low	Min	200	200	ns
t_{WHWPL}		Write Enable High to Write Protect Low	Min	200	200	ns	
t_{WPHWH}		Write Protect High to Write Enable High	Min	200	200	ns	

1. Sampled only, not 100% tested.
2. Meaningful only if \bar{L} is always kept Low.
3. t_{WHEL} and t_{WHLL} have this value when reading in the targeted bank or when reading after a Set Configuration Register command. System designers should take this into account and may insert a software No-Op instruction to delay the first read in the same bank after issuing any command and to delay the first read to any address after issuing a Set Configuration Register command. If the first read after the command is a Read Array operation in a different bank and no changes to the Configuration Register have been issued, t_{WHEL} is 0 ns.

Figure 16. Write AC waveforms, Chip Enable controlled

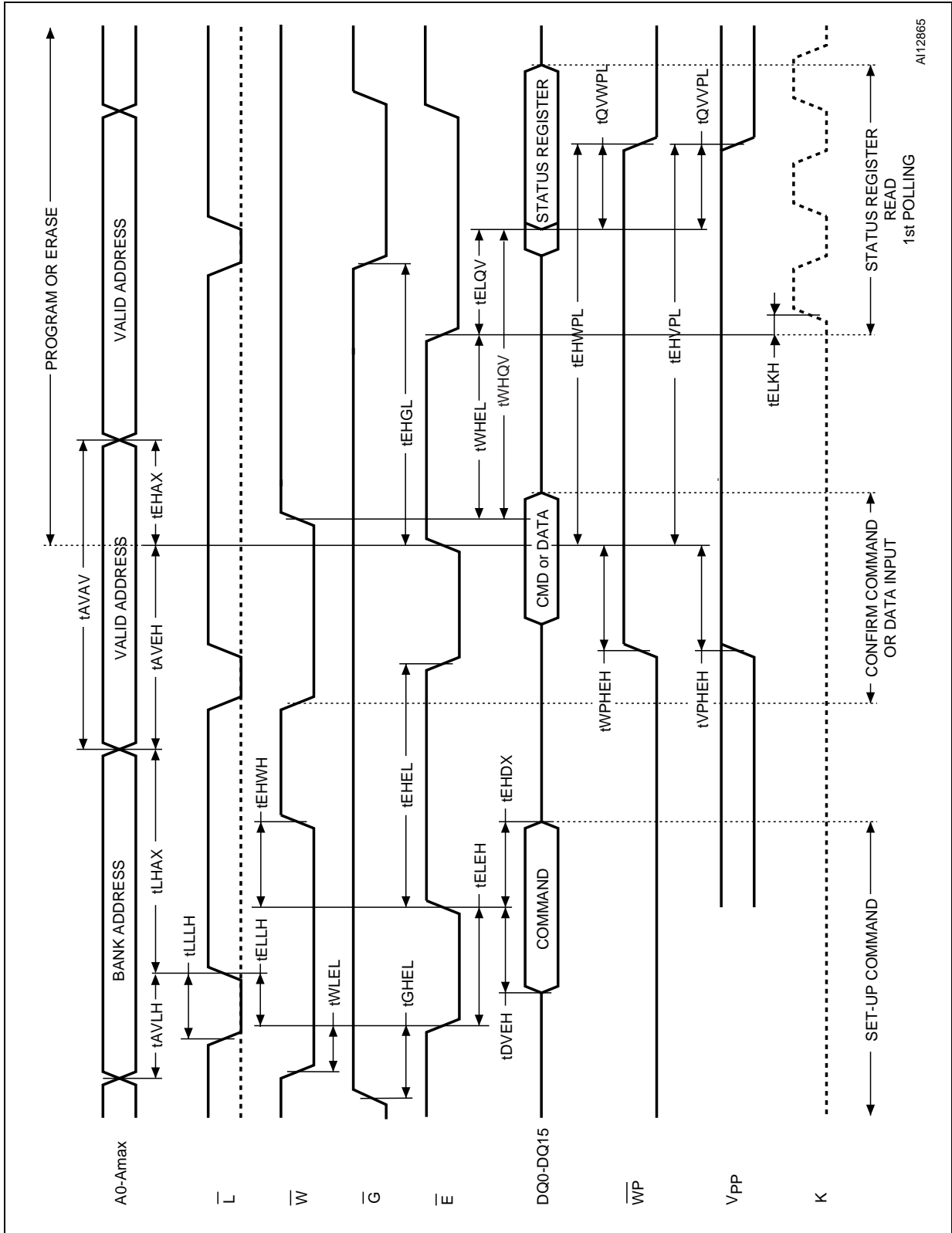


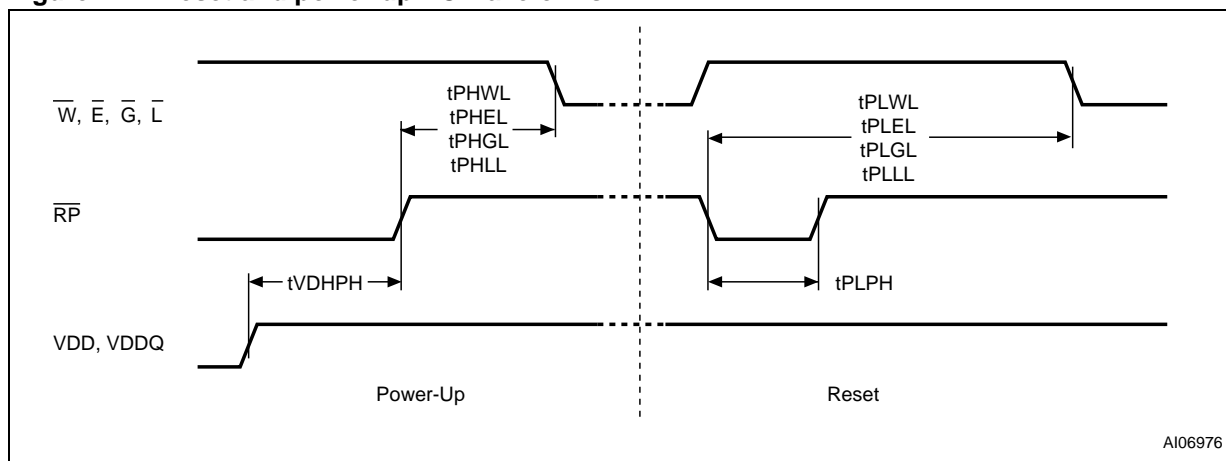
Table 32. Write AC characteristics, Chip Enable controlled⁽¹⁾

Symbol	Alt	Parameter		108 MHz	66 MHz	Unit		
Chip Enable Controlled timings	t_{AVAV}	t_{WC}	Address Valid to Next Address Valid	Min	96	96	ns	
	t_{AVEH}	t_{WC}	Address Valid to Chip Enable High	Min	40	45	ns	
	t_{AVLH}		Address Valid to Latch Enable High	Min	5	5	ns	
	t_{DVEH}	t_{DS}	Data Valid to Chip Enable High	Min	40	40	ns	
	t_{EHAX}	t_{AH}	Chip Enable High to Address transition	Min	0	0	ns	
	t_{EHDX}	t_{DH}	Chip Enable High to Input transition	Min	0	0	ns	
	t_{EHEL}	t_{CPH}	Chip Enable High to Chip Enable Low	Min	20	20	ns	
	t_{EHGL}		Chip Enable High to Output Enable Low	Min	0	0	ns	
	t_{EHWH}	t_{CH}	Chip Enable High to Write Enable High	Min	0	0	ns	
	t_{ELKH}		Chip Enable Low to Clock High	Min	5	5	ns	
	t_{ELEH}	t_{CP}	Chip Enable Low to Chip Enable High	Min	40	45	ns	
	t_{ELLH}		Chip Enable Low to Latch Enable High	Min	9	10	ns	
	t_{ELQV}		Chip Enable Low to Output Valid	Min	96	96	ns	
	t_{GHLE}		Output Enable High to Chip Enable Low	Min	14	17	ns	
	t_{LHAX}		Latch Enable High to Address transition	Min	5	5	ns	
	t_{LLLH}		Latch Enable Pulse width	Min	7	7	ns	
	Protection timings	$t_{WHEL}^{(2)}$		Write Enable High to Chip Enable Low	Min	20	20	ns
		t_{WHQV}		Write Enable High to Output Valid	Min	116	116	ns
t_{WLEL}		t_{CS}	Write Enable Low to Chip Enable Low	Min	0	0	ns	
t_{EHVPL}			Chip Enable High to V_{PP} Low	Min	200	200	ns	
t_{EHWPL}			Chip Enable High to Write Protect Low	Min	200	200	ns	
t_{QVVPL}			Output (Status Register) Valid to V_{PP} Low	Min	0	0	ns	
t_{QVWPL}			Output (Status Register) Valid to Write Protect Low	Min	0	0	ns	
t_{VPHEH}		t_{VPS}	V_{PP} High to Chip Enable High	Min	200	200	ns	
t_{WPHEH}		Write Protect High to Chip Enable High	Min	200	200	ns		

1. Sampled only, not 100% tested.

2. t_{WHEL} has this value when reading in the targeted bank or when reading after a Set Configuration Register command. System designers should take this into account and may insert a software No-Op instruction to delay the first read in the same bank after issuing any command and to delay the first read to any address after issuing a Set Configuration Register command. If the first read after the command is a Read Array operation in a different bank and no changes to the Configuration Register have been issued, t_{WHEL} is 0 ns.

Figure 17. Reset and power-up AC waveforms



AI06976

Table 33. Reset and power-up AC characteristics

Symbol	Parameter	Test condition		108 MHz / 66 MHz	Unit
t_{PLWL}	Reset Low to Write Enable Low,	During program	Min	25	μs
t_{PLEL}	Reset Low to Chip Enable Low,	During erase	Min	30	μs
t_{PLGL}	Reset Low to Output Enable Low,	Other conditions	Min	80	ns
t_{PLLL}	Reset Low to Latch Enable Low				
t_{PHWL}	Reset High to Write Enable Low		Min	30	ns
t_{PHEL}	Reset High to Chip Enable Low				
t_{PHGL}	Reset High to Output Enable Low				
t_{PHLL}	Reset High to Latch Enable Low				
$t_{PLPH}^{(1),(2)}$	\overline{RP} Pulse width		Min	50	ns
$t_{VDHPH}^{(3)}$	Supply voltages High to Reset High		Min	300	μs

1. The device reset is possible but not guaranteed if $t_{PLPH} < 50$ ns.
2. Sampled only, not 100% tested.
3. It is important to assert \overline{RP} to allow proper CPU initialization during power-up or reset.

Figure 18. Deep power-down AC waveforms

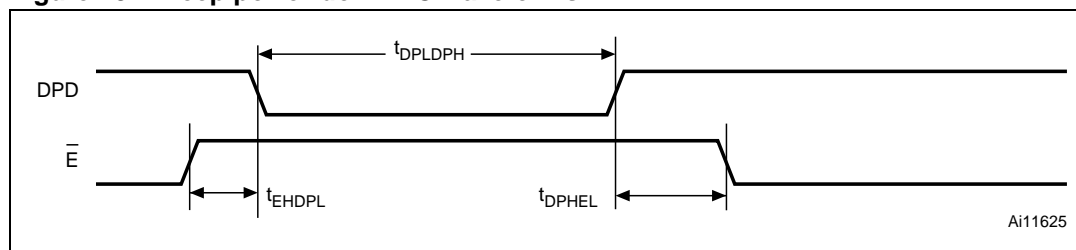


Figure 19. Reset during deep power-down AC waveforms

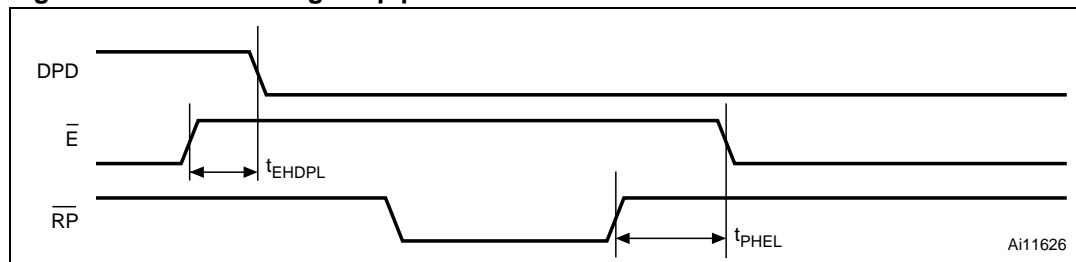


Table 34. Deep power-down AC characteristics

Symbol	Parameter	Test condition		108 MHz/66 MHz	Unit
t_{DPLDPH}	Deep power-down asserted to Deep power-down de-asserted		Min	50	ns
t_{EHDPL}	Chip Enable Low to deep power-down asserted		Min	0	μ s
t_{DPHEL}	Deep power-down de-asserted to Chip Enable Low		Min	75	μ s
t_{PHEL}	Reset High to Chip Enable Low	During deep power-down	Min	75	μ s

16 Part numbering

Table 35. Ordering information scheme

Example:	M58PR256L	E	96	ZB	5
Device type M58					
Architecture P = Multilevel, multiple bank, large buffer					
Operating voltage R = $V_{DD} = 1.7\text{ V to }2.0\text{ V}$, $V_{DDQ} = 1.7\text{ V to }2.0\text{ V}$					
Density 256 = 256 Mbit 512 = 512 Mbit 001 = 1 Gbit					
Technology L = 65 nm technology multilevel design					
Memory organization E = Uniform blocks					
Speed 96 = 96 ns					
Package Not packaged separately ⁽¹⁾					
Temperature range 5 = -30 to 85 °C					

1. The M58PRxxxLE memories are only available as part of a multichip package device.

Devices are shipped from the factory with the memory content bits erased to '1'.

For a list of available options (speed, package, etc.) or for further information on any aspect of this device, please contact the ST Sales Office nearest to you.

Appendix A Block address tables

The following set of equations can be used to calculate a complete set of block addresses using the information contained in tables 36, 37, 38, 39, 40 and 41.

To calculate the block base address from the block number:

First it is necessary to calculate the bank number and the block number offset. This can be achieved using the following formulas:

For the M58PR256LE:

$$\text{Bank_Number} = \text{Block_Number} / 16$$

$$\text{Block_Number_Offset} = \text{Block_Number} - (\text{Bank_Number} \times 16)$$

For the M58PR512LE:

$$\text{Bank_Number} = \text{Block_Number} / 32$$

$$\text{Block_Number_Offset} = \text{Block_Number} - (\text{Bank_Number} \times 32)$$

For the M58PR001LE:

$$\text{Bank_Number} = \text{Block_Number} / 64$$

$$\text{Block_Number_Offset} = \text{Block_Number} - (\text{Bank_Number} \times 64)$$

The Block Base Address is calculated using the formula below:

$$\text{Block_Base_Address} = \text{Bank_Base_Address} + \text{Block_Base_Address_Offset}$$

To calculate the Bank number and the Block Number from the Block Base Address:

The Block Number, Bank Number and Block Number Offset can be calculated using the formulas below:

For the M58PR256LE:

$$\text{Block_Number} = \text{address} / 2^{16}$$

$$\text{Bank_Number} = \text{Block_Number} / 16$$

$$\text{Block_Number_Offset} = \text{Block_Number} - (\text{Bank_Number} \times 16)$$

For the M58PR512LE:

$$\text{Block_Number} = \text{address} / 2^{32}$$

$$\text{Bank_Number} = \text{Block_Number} / 32$$

$$\text{Block_Number_Offset} = \text{Block_Number} - (\text{Bank_Number} \times 32)$$

For the M58PR001LE:

$$\text{Block_Number} = \text{address} / 2^{64}$$

$$\text{Bank_Number} = \text{Block_Number} / 64$$

$$\text{Block_Number_Offset} = \text{Block_Number} - (\text{Bank_Number} \times 64)$$

Table 36. M58PR256LE - bank base addresses

Bank number	Block numbers	Bank base address
0	0 - 15	000000
1	16 - 31	200000
2	32 - 47	400000
3	48 - 63	600000
4	64 - 79	800000
5	80 - 95	A00000
6	96 - 111	C00000
7	112 - 127	E00000

Table 37. M58PR512LE - bank base addresses

Bank number	Block numbers	Bank base address
0	0 - 31	0000000
1	32 - 63	0400000
2	64 - 95	0800000
3	96 - 127	0C00000
4	128 - 159	1000000
5	160 - 191	1400000
6	192 - 223	1800000
7	224 - 255	1C00000

Table 38. M58PR001LE - bank base addresses

Bank number	Block numbers	Bank base address
0	0 - 63	0
1	64 - 127	800000
2	128 - 191	1000000
3	192 - 255	1800000
4	256 - 319	2000000
5	320 - 383	2800000
6	384 - 447	3000000
7	448 - 511	3800000

Table 39. M58PR256LE - block addresses

Block number offset	Block base address offset
0	0000000
1	0020000
2	0040000
3	0060000
4	0080000
5	00A0000
6	00C0000
7	00E0000
8	0100000
9	0120000
10	0140000
11	0160000
12	0180000
13	01A0000
14	01C0000
15	01E0000

Table 40. M58PR512LE - block addresses

Block number offset	Block base address offset
0	0000000
1	0020000
2	0040000
3	0060000
4	0080000
5	00A0000
6	00C0000
7	00E0000
8	0100000
9	0120000
10	0140000
11	0160000
12	0180000
13	01A0000
14	01C0000
15	01E0000
16	0200000
17	0220000
18	0240000
19	0260000
20	0280000
21	02A0000
22	02C0000
23	02E0000
24	0300000
25	0320000
26	0340000
27	0360000
28	0380000
29	03A0000
30	03C0000
31	03E0000

Table 41. M58PR001LE - block addresses

Block number	Block base address offset
0	0000000
1	0020000
2	0040000
3	0060000
4	0080000
5	00A0000
6	00C0000
7	00E0000
8	0100000
9	0120000
10	0140000
11	0160000
12	0180000
13	01A0000
14	01C0000
15	01E0000
16	0200000
17	0220000
18	0240000
19	0260000
20	0280000
21	02A0000
22	02C0000
23	02E0000
24	0300000
25	0320000
26	0340000
27	0360000
28	0380000
29	03A0000
30	03C0000
31	03E0000
32	0400000
33	0420000
34	0440000

Table 41. M58PR001LE - block addresses (continued)

Block number	Block base address offset
35	0460000
36	0480000
37	04A0000
38	04C0000
39	04E0000
40	0500000
41	0520000
42	0540000
43	0560000
44	0580000
45	05A0000
46	05C0000
47	05E0000
48	0600000
49	0620000
50	0640000
51	0660000
52	0680000
53	06A0000
54	06C0000
55	06E0000
56	0700000
57	0720000
58	0740000
59	0760000
60	0780000
61	07A0000
62	07C0000
63	07E0000

Appendix B Common Flash interface

The common Flash interface is a JEDEC approved, standardized data structure that can be read from the Flash memory device. It allows a system software to query the device to determine various electrical and timing parameters, density information, and functions supported by the memory. The system can interface easily with the device, enabling the software to upgrade itself when necessary.

When the Read CFI Query command is issued the device enters CFI query mode and the data structure is read from the memory. Tables [42](#), [43](#), [44](#), [45](#), [46](#), [47](#), [48](#), [49](#), [50](#), [51](#) and [52](#) show the addresses used to retrieve the data. The query data is always presented on the lowest order data outputs (DQ0-DQ7), and the other outputs (DQ8-DQ15) are set to 0.

The CFI data structure also contains a security area where a 64-bit unique security number is written (see [Figure 4: Protection Register memory map](#)). This area can only be accessed in read mode by the final user. It is impossible to change the security number after it has been written by ST. Issue a Read Array command to return to read mode.

Table 42. Query structure overview⁽¹⁾

Offset	Sub-section name	Description
000h	Reserved	Reserved for algorithm-specific information
010h	CFI query identification string	Command set ID and algorithm data offset
01Bh	System interface information	Device timing and voltage information
027h	Device geometry definition	Flash device layout
P	Primary algorithm-specific extended query table	Additional information specific to the primary algorithm (optional)
A	Alternate algorithm-specific extended query table	Additional information specific to the alternate algorithm (optional)
080h	Security code area	Lock Protection Register Unique device number and user programmable OTP

1. The Flash memory display the CFI data structure when CFI Query command is issued. In this table are listed the main sub-sections detailed in tables [43](#), [44](#), [45](#) and [46](#). Query data is always presented on the lowest order data outputs.

Table 43. CFI query identification string

Offset	Sub-section name	Description	Value
000h	0020h	Manufacturer code	ST
001h	8818h 8819h 880Fh	Device code	M58PR256LE 256 Mbits M58PR512LE 512 Mbits M58PR001LE 1 Gbit
002h-00Fh	Reserved	Reserved	
010h	0051h	Query unique ASCII string "QRY"	"Q"
011h	0052h		"R"
012h	0059h		"Y"
013h 014h	0000h 0002h	Primary algorithm command set and control interface ID code 16 bit ID code defining a specific algorithm	
015h 016h	offset = P = 000Ah 0001h	Address for primary algorithm extended query table (see Table 46)	P = 10Ah
017h 018h	0000h 0000h	Alternate vendor command set and control interface ID code second vendor - specified algorithm supported	NA
019h 01Ah	value = A = 0000h 0000h	Address for alternate algorithm extended query table	NA

Table 44. CFI query system interface information

Offset	Data	Description	Value
01Bh	0017h	V _{DD} logic supply minimum program/erase or write voltage bit 7 to 4 BCD value in volts bit 3 to 0 BCD value in 100 millivolts	1.7 V
01Ch	0020h	V _{DD} logic supply maximum program/erase or write voltage bit 7 to 4 BCD value in volts bit 3 to 0 BCD value in 100 millivolts	2 V
01Dh	0085h	V _{PP} [programming] supply minimum program/erase voltage bit 7 to 4 HEX value in volts bit 3 to 0 BCD value in 100 millivolts	8.5 V
01Eh	0095h	V _{PP} [programming] supply maximum program/erase voltage bit 7 to 4 HEX value in volts bit 3 to 0 BCD value in 100 millivolts	9.5 V
01Fh	0006h	Typical timeout per single byte/word program = 2 ⁿ μs	64 μs
020h	000Bh	Typical timeout for buffer program = 2 ⁿ μs	2048 μs
021h	000Ah	Typical timeout per individual block erase = 2 ⁿ ms	1 s
022h	0000h	Typical timeout for full chip erase = 2 ⁿ ms	NA
023h	0002h	Maximum timeout for word program = 2 ⁿ times typical	256 μs
024h	0002h	Maximum timeout for buffer program = 2 ⁿ times typical	8192 μs
025h	0002h	Maximum timeout per individual block erase = 2 ⁿ times typical	4 s
026h	0000h	Maximum timeout for chip erase = 2 ⁿ times typical	NA

Table 45. Device geometry definition

Offset	Data	Description	Value
027h	0019h	M58PR256LE device size = 2^n in number of bytes	32 Mbytes
	001Ah	M58PR512LE device size = 2^n in number of bytes	64 Mbytes
	001Bh	M58PR001LE device size = 2^n in number of bytes	128 Mbytes
028h 029h	0001h 0000h	Flash device interface code description	x16 Async.
02Ah 02Bh	000Ah 0000h	Maximum number of bytes in multi-byte program or page = 2^n	1024 bytes
02Ch	0001h	Number of identical sized erase block regions within the device bit 7 to 0 = x = number of Erase block regions	1
02Dh 02Eh	007Fh 0000h	M58PR256LE erase block region 1 information Number of identical-size erase blocks = 007Fh+1	127
	00FFh 0000h	M58PR512LE erase block region 1 information Number of identical-size erase blocks = 00FFh+1	255
	01FFh 0000h	M58PR001LE erase block region 1 information Number of identical-size erase blocks = 01FFh+1	511
02Fh 030h	0000h 0004h	Erase block region 1 information Block size in region 1 = 0400h * 256 byte	256 Kbyte
031h 038h	Reserved	Reserved for future erase block region information	NA

Table 46. Primary algorithm-specific extended query table

Offset	Data	Description	Value
(P)h = 10Ah	0050h	Primary algorithm extended query table unique ASCII string "PRI"	"P"
	0052h		"R"
	0049h		"I"
(P+3)h = 10Dh	0031h	Major version number, ASCII	"1"
(P+4)h = 10Eh	0034h	Minor version number, ASCII	"4"
(P+5)h = 10Fh	00E6h	Extended query table contents for primary algorithm. Address (P+5)h contains less significant byte (1 = Yes, 0 = No)	
(P+6)h = 110h	0007h		
(P+7)h = 111h	0000h		
(P+8)h = 112h	0000h		
(P+9)h = 113h	0001h	Supported functions after suspend Read Array, Read Status Register and CFI query bit 0 Program supported after erase suspend (1 = Yes, 0 = No) bit 7 to 1 Reserved; undefined bits are '0'	Yes
(P+A)h = 114h	0033h	Block protect status Defines which bits in the Block Status Register section of the query are implemented. bit 0 Block protect Status Register lock/unlock bit active (1 = Yes, 0 = No) bit 1 Block Lock Status Register Lock-Down bit active (1 = Yes, 0 = No) bit 4 EFA Block protect Status Register Lock/Unlock bit active (1=yes, 2=No) bit 5 EFA Block Lock Status Register Lock-Down bit active (1=yes, 2=No) bit 15 to 6 and 3 to 2 Reserved for future use; undefined bits are '0'	
(P+B)h = 115h	0000h		
(P+C)h = 116h	0018h	V _{DD} logic supply optimum program/erase voltage (highest performance) bit 7 to 4 HEX value in volts bit 3 to 0 BCD value in 100 mV	1.8 V
(P+D)h = 117h	0090h	V _{PP} supply optimum program/erase voltage bit 7 to 4 HEX value in volts bit 3 to 0 BCD value in 100 mV	9 V

Table 47. Protection Register information

Offset	Data	Description	Value
(P+E)h = 118h	0002h	Number of protection register fields in JEDEC ID space. 0000h indicates that 256 fields are available.	2
(P+F)h = 119h	0080h	Protection field 1: protection description	80h
(P+10)h = 11Ah	0000h	Bits 0-7 Lower byte of protection register address	00h
(P+11)h = 11Bh	0003h	Bits 8-15 Upper byte of protection register address	8 bytes
(P+12)h = 11Ch	0003h	Bits 16-23 2 ⁿ bytes in factory pre-programmed region	8 bytes
(P+13)h = 11Dh	0089h	Protection Register 2: protection description	89h
(P+14)h = 11Eh	0000h	Bits 0-31 protection register address	00h
(P+15)h = 11Fh	0000h	Bits 32-39 n number of factory programmed regions (lower byte)	00h
(P+16)h = 120h	0000h	Bits 40-47 n number of factory programmed regions (upper byte)	00h
(P+17)h = 121h	0000h	Bits 48-55 2 ⁿ bytes in factory programmable region	0
(P+18)h = 122h	0000h	Bits 56-63 n number of user programmable regions (lower byte)	0
(P+19)h = 123h	0000h	Bits 64-71 n number of user programmable regions (upper byte)	16
(P+1A)h = 124h	0010h	Bits 72-79 2 ⁿ bytes in user programmable region	0
(P+1B)h = 125h	0000h		16
(P+1C)h = 126h	0004h		16

Table 48. Burst Read information

Offset	Data	Description	Value
(P+1D)h = 127h	0005h	Page-mode read capability bits 0-7 'n' such that 2 ⁿ HEX value represents the number of read-page bytes. See offset 0028h for device word width to determine page-mode data output width.	32 bytes
(P+1E)h = 128h	0003h	Number of synchronous mode read configuration fields that follow.	3
(P+1F)h = 129h	0002h	Synchronous mode read capability configuration 1 bit 3-7 Reserved bit 0-2 'n' such that 2 ⁿ⁺¹ HEX value represents the maximum number of continuous synchronous reads when the device is configured for its maximum word width. A value of 07h indicates that the device is capable of continuous linear bursts that will output data until the internal burst counter reaches the end of the device's burstable address space. This field's 3-bit value can be written directly to the read configuration register bit 0-2 if the device is configured for its maximum word width. See offset 0028h for word width to determine the burst data output width.	8
(P+20)h = 12Ah	0003h	Synchronous mode read capability configuration 2	16
(P+21)h = 12Bh	0007h	Synchronous mode read capability configuration 3	Cont.

Table 49. Bank and erase block region information

Offset ⁽¹⁾	Data	Description
(P+22)h = 12Ch	01h	Number of bank regions within the device ⁽²⁾

1. The variable P is a pointer which is defined at CFI offset 015h.
2. Bank regions. There is one bank region, see tables 36, 37, 38, 39, 40 and 41 in *Appendix A*.

Table 50. Bank and erase block region 1 information⁽¹⁾

Offset	Data	Description
(P+23)h = 12Dh	16h	Data size of this bank region information section (addressable locations including this one)
(P+24)h = 12Eh	00h	
(P+25)h = 12Fh	08h	Number of identical banks within bank region 1
(P+26)h = 130h	00h	
(P+27)h = 131h	11h	Number of program or erase operations allowed in bank region 1: Bits 0-3: number of simultaneous program operations Bits 4-7: number of simultaneous erase operations
(P+28)h = 132h	00h	Number of program or erase operations allowed in other banks while a bank in this region is being erased Bits 0-3: number of simultaneous program operations Bits 4-7: number of simultaneous erase operations
(P+29)h = 133h	00h	Number of program or erase operations allowed in other banks while a bank in this region is being erased Bits 0-3: number of simultaneous program operations Bits 4-7: number of simultaneous erase operations
(P+2A)h = 134h	01h	Types of erase block regions in bank region 1 n = number of erase block regions with contiguous same-size erase blocks. Symmetrically blocked banks have one blocking region ⁽²⁾
(P+2B)h = 135h	0Fh ⁽³⁾ 1Fh ⁽⁴⁾ 3Fh ⁽⁵⁾	Bank region 1 Erase block type 1 information Bits 0-15: n+1 = number of identical-sized erase blocks in each bank Bits 16-31: n×256 = number of bytes in erase block region
(P+2C)h = 136h	00h	
(P+2D)h = 137h	00h	
(P+2E)h = 138h	04h	
(P+2F)h = 139h	64h	Bank region 1 (Erase block type 1)
(P+30)h = 13Ah	00h	Minimum block erase cycles × 1000
(P+31)h = 13Bh	12h	Bank region 1 (Erase block type 1): bits per cell, internal ECC Bits 0-3: bits per cell in erase region Bit 4: reserved for "internal ECC used" Bits 5-7: reserved

Table 50. Bank and erase block region 1 information⁽¹⁾ (continued)

Offset	Data	Description
(P+32)h = 13Ch	03h	Bank region 1 (Erase block type 1): Page mode and Synchronous mode capabilities Bit 0: page-mode reads permitted Bit 1: synchronous reads permitted Bit 2: synchronous writes permitted Bits 3-7: reserved
(P+33)h = 13Dh	0Ah	Bank region 1 (Erase block type 1) programming region information Bit 0-7: aligned size of programming region in bytes Bit 8-14: reserved Bit 15: Legacy Flash operation (ignore bit 0-7) Bit 16-23: Control mode valid size in bytes Bit 24-31: reserved Bit 32-39: Control mode invalid size in bytes Bit 40-46: reserved Bit 47: Legacy Flash operation (ignore bit 16-23 and 32-39)
(P+34)h = 13Eh	00h	
(P+35)h = 13Fh	10h	
(P+36)h = 140h	00h	
(P+37)h = 141h	10h	
(P+38)h = 142h	00h	

1. The variable P is a pointer which is defined at CFI offset 015h.
2. Bank regions. There is one bank region, see tables 36, 37, 38, 39, 40 and 41 in *Appendix A*.
3. Applies to M58PR256LE.
4. Applies to M58PR512LE.
5. Applies to M58PR001LE.

Table 51. Extended Flash array bank and erase block region information

Offset ⁽¹⁾	Data	Description
(P+39)h = 143h	01h	Number of bank regions within the device ⁽²⁾

1. The variable P is a pointer which is defined at CFI offset 015h.
2. Bank regions. There is one EFA bank region.

Table 52. Extended Flash array bank and erase block region 1 information

Offset ⁽¹⁾	Data	Description
(P+3A)h = 144h	16h	Data size of this bank region information section (addressable locations including this one)
(P+3B)h = 145h	00h	
(P+3C)h = 146h	01h	Number of identical banks within bank region 1
(P+3D)h = 147h	00h	
(P+3E)h = 148h	11h	Number of program or erase operations allowed in bank region 1: Bits 0-3: number of simultaneous program operations Bits 4-7: number of simultaneous erase operations
(P+3F)h = 149h	00h	Number of program or erase operations allowed in other banks while a bank in this region is being erased Bits 0-3: number of simultaneous program operations Bits 4-7: number of simultaneous erase operations
(P+40)h = 14Ah	00h	Number of program or erase operations allowed in other banks while a bank in this region is being erased Bits 0-3: number of simultaneous program operations Bits 4-7: number of simultaneous erase operations
(P+41)h = 14Bh	01h	Types of erase block regions in bank region 1 n = number of erase block regions with contiguous same-size erase blocks. Symmetrically blocked banks have one blocking region ⁽²⁾ .
(P+42)h = 14Ch	03h	Bank region 1 Erase block type 1 information Bits 0-15: n+1 = number of identical-sized erase blocks in each bank Bits 16-31: nx256 = number of bytes in erase block region
(P+43)h = 14Dh	00h	
(P+44)h = 14Eh	20h	
(P+45)h = 14Fh	00h	
(P+46)h = 150h	64h	Bank region 1 (Erase block type 1)
(P+47)h = 151h	00h	Minimum block erase cycles × 1000
(P+48)h = 152h	01h	Bank region 1 (Erase block type 1): bits per cell, internal ECC Bits 0-3: bits per cell in erase region Bit 4: reserved for internal ECC used Bits 5-7: reserved
(P+49)h = 153h	03h	Bank region 1 (Erase block type 1): page mode and synchronous mode capabilities Bit 0: page-mode reads permitted Bit 1: synchronous reads permitted Bit 2: synchronous writes permitted Bits 3-7: reserved

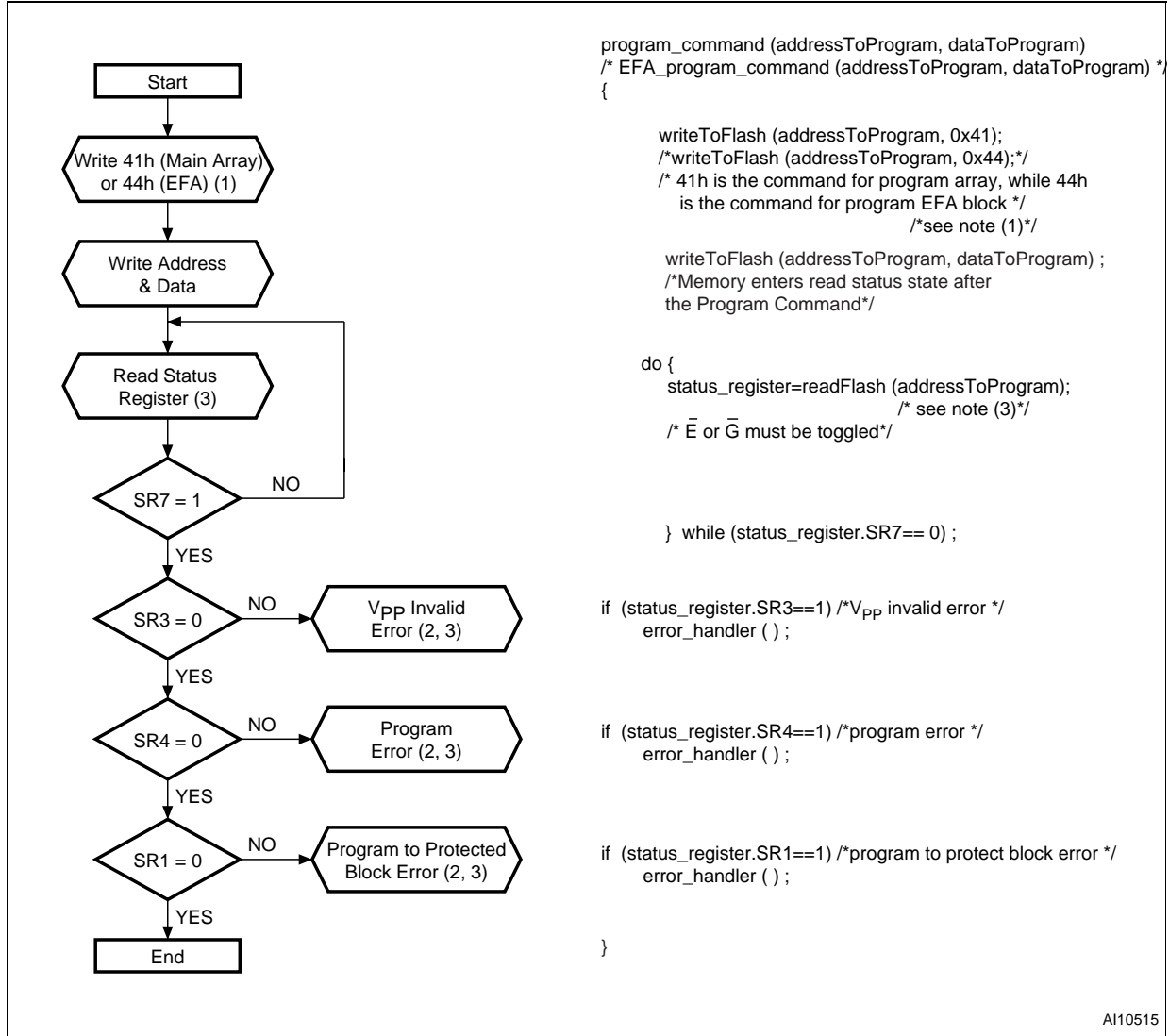
Table 52. Extended Flash array bank and erase block region 1 information

Offset ⁽¹⁾	Data	Description
(P+4A)h = 154h	00h	Bank region 1 (Erase block type 1) programming region information
(P+4B)h = 155h	80h	Bit 0-7: aligned size of programming region in bytes
(P+4C)h = 156h	00h	Bit 8-14: reserved
(P+4D)h = 157h	00h	Bit 15: legacy Flash operation (ignore bit 0-7)
(P+4E)h = 158h	00h	Bit 16-23: control mode valid size in bytes
(P+4F)h = 159h	80h	Bit 24-31: reserved
		Bit 32-39: control mode invalid size in bytes
		Bit 40-46: reserved
		Bit 47: legacy Flash operation (ignore bit 16-23 and 32-39)

1. The variable P is a pointer which is defined at CFI offset 015h.
2. Bank regions. There is one EFA bank region.

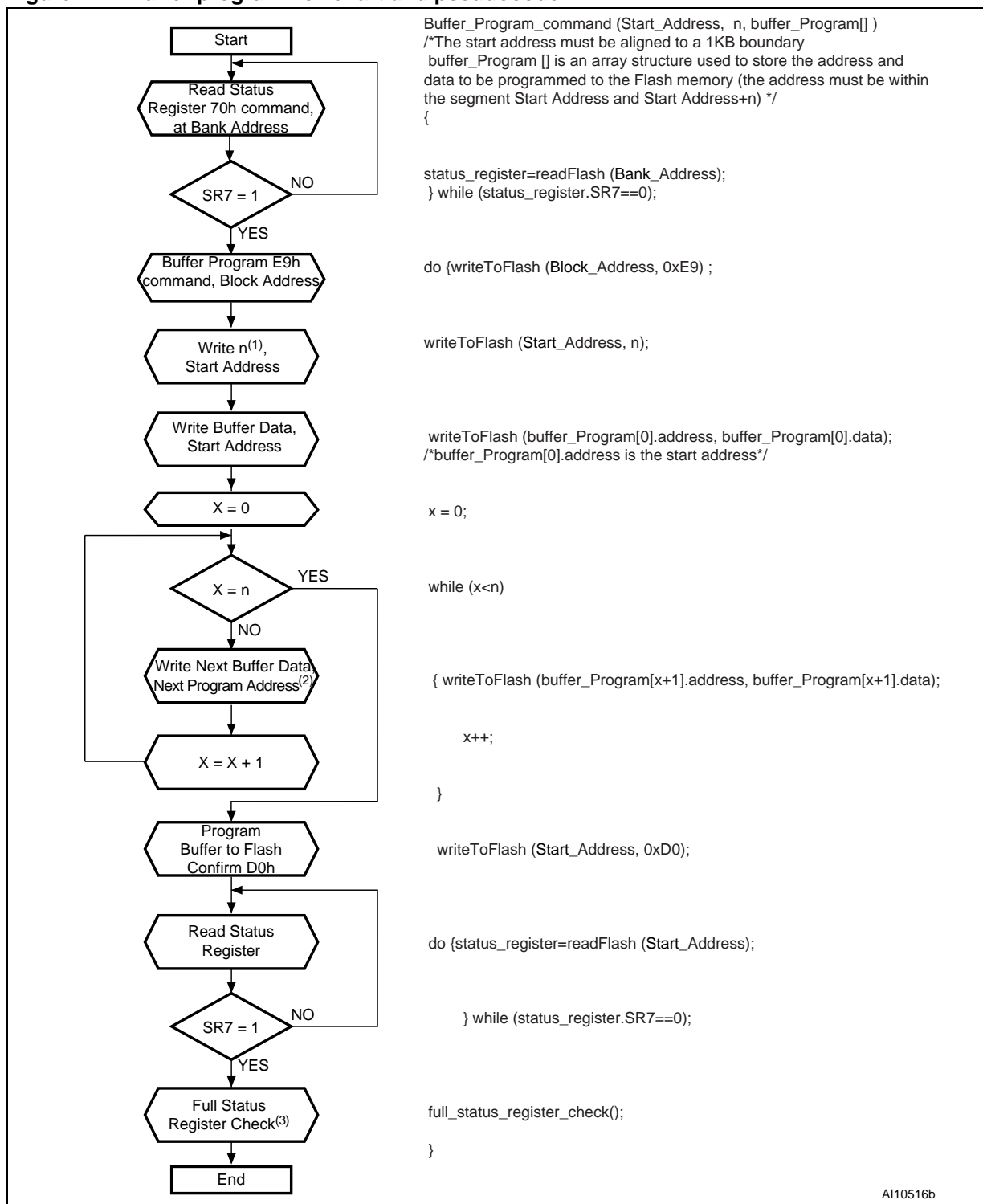
Appendix C Flowcharts and pseudocodes

Figure 20. Program and EFA block program flowchart and pseudocode



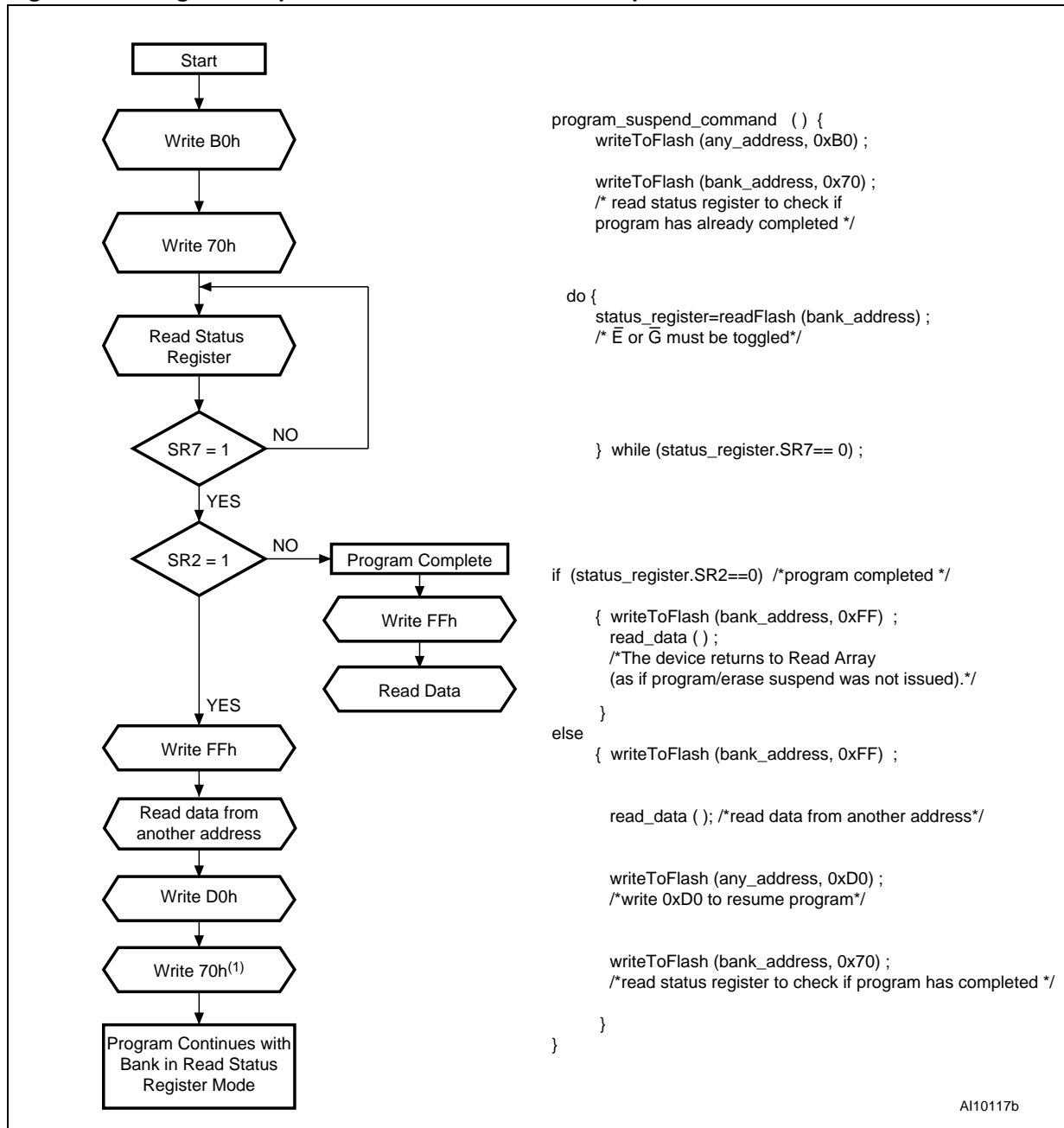
1. Any address within the 'A' segment halves (A3=0) in a 1 Kbyte program region configured in control program mode. If a Program command is issued to a program region configured in the Object Program mode, SR4 and SR8 are set.
2. Status check of SR1 (protected block), SR3 (V_{PP} invalid) and SR4 (program error) can be made after each program operation or after a sequence.
3. If an error is found, the Status Register must be cleared before further Program/Erase controller operations.

Figure 21. Buffer program flowchart and pseudocode



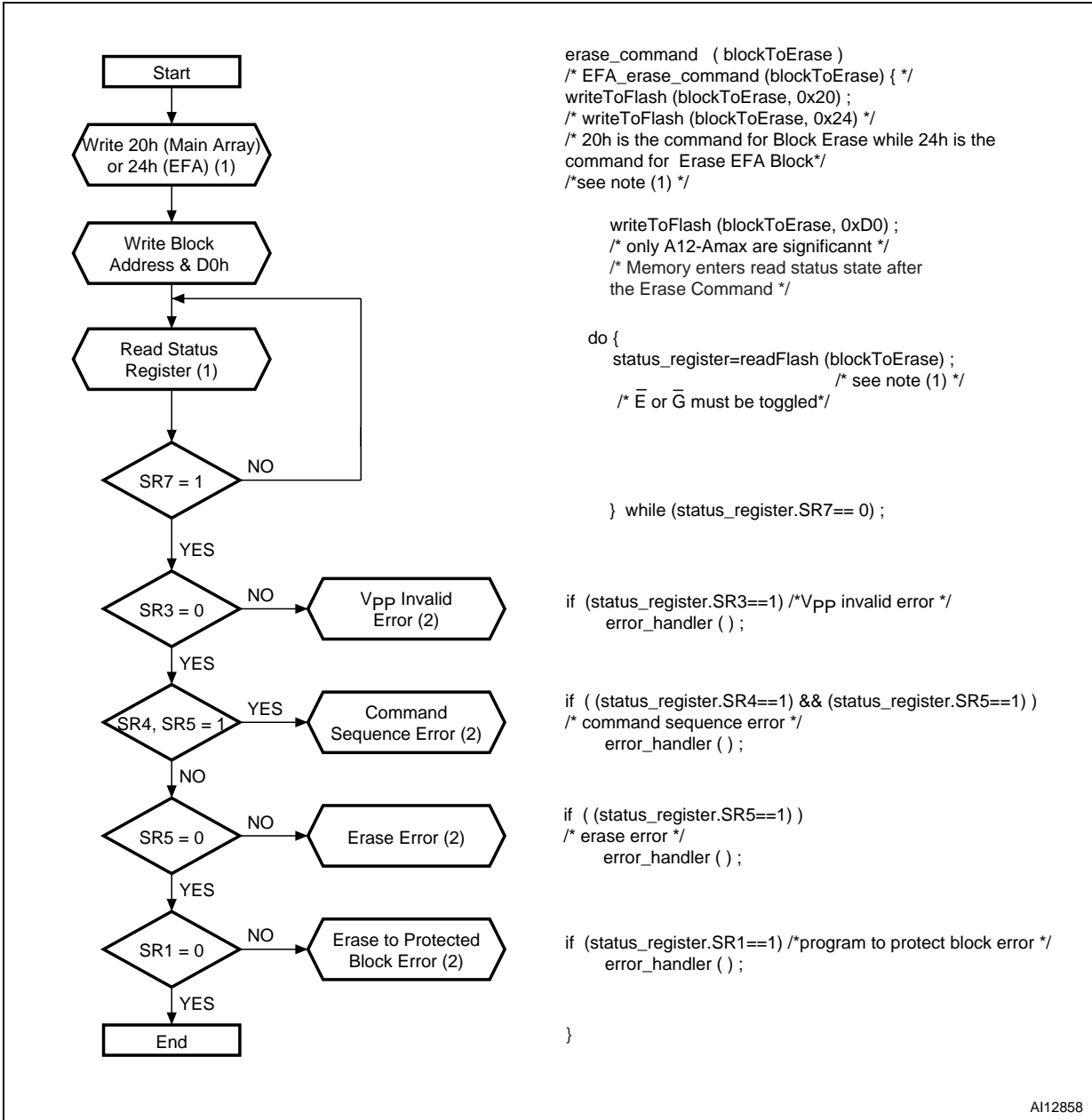
1. $n + 1$ is the number of data being programmed. The maximum buffer count is 1FF (512 words).
2. Next Program data is an element belonging to `buffer_Program[].data`; Next Program address is an element belonging to `buffer_Program[].address`. In a program region configured in Control Program mode `buffer_Program[].data = FFFFh` if $A3 = 1$.
3. Routine for error check by reading SR3, SR4 and SR1.

Figure 22. Program suspend and resume flowchart and pseudocode



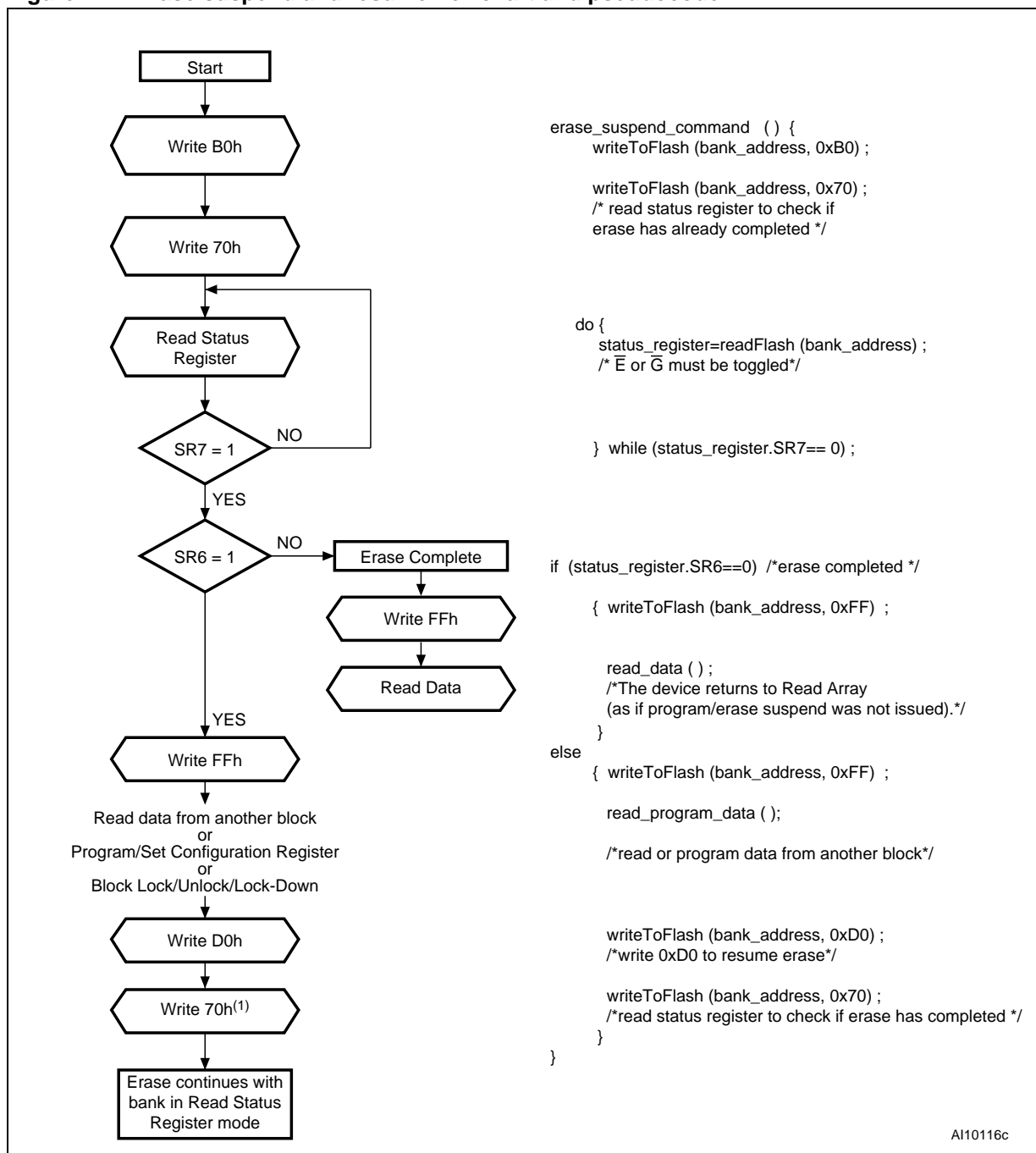
1. The Read Status Register command (Write 70h) can be issued just before or just after the Program Resume command.

Figure 23. Block erase and EFA block erase flowchart and pseudocode



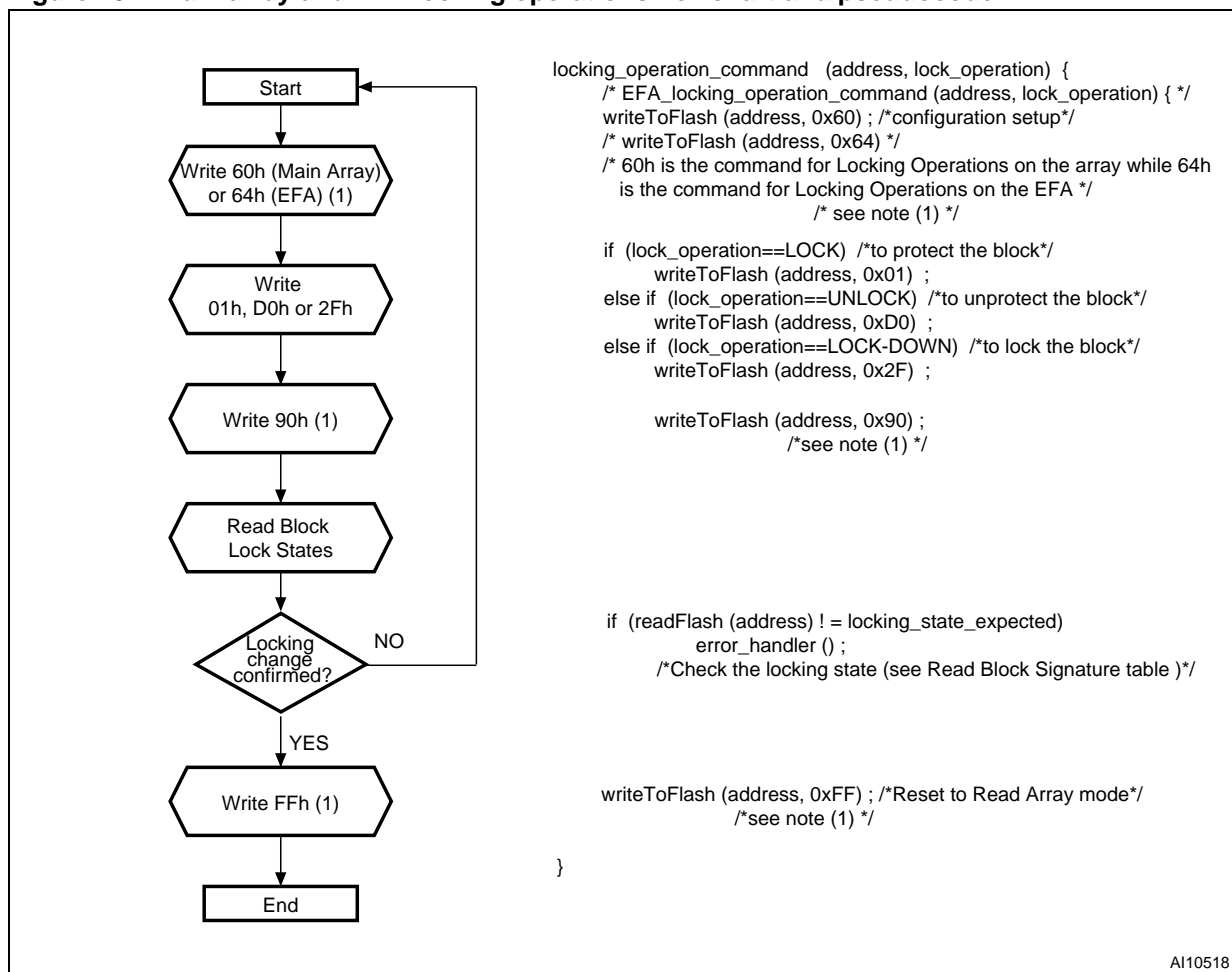
1. Any address within the bank can equally be used.
2. If an error is found, the Status Register must be cleared before further program/erase operations.

Figure 24. Erase suspend and resume flowchart and pseudocode



1. The Read Status Register command (Write 70h) can be issued just before or just after the Erase Resume command.

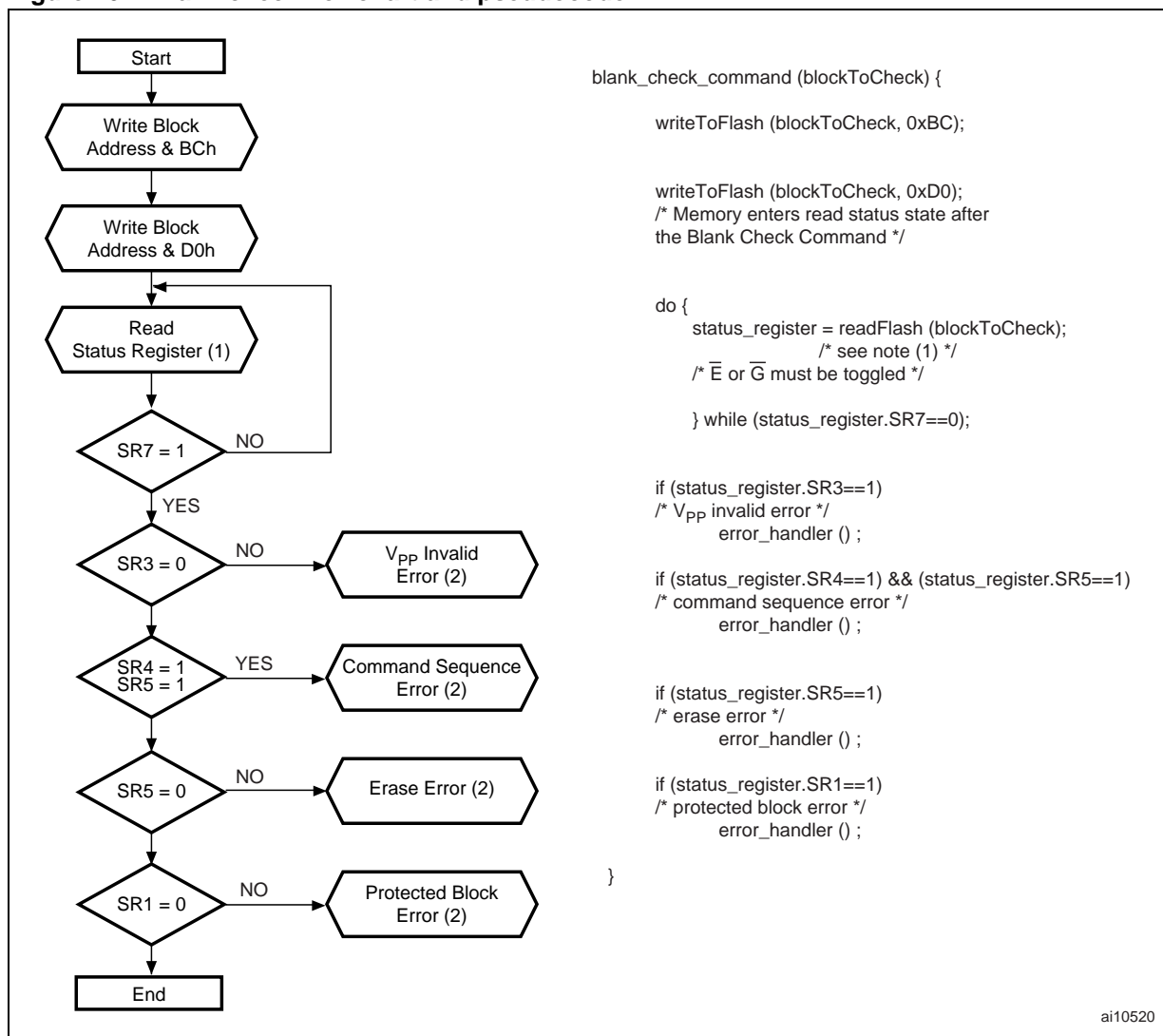
Figure 25. Main array and EFA locking operations flowchart and pseudocode



AI10518

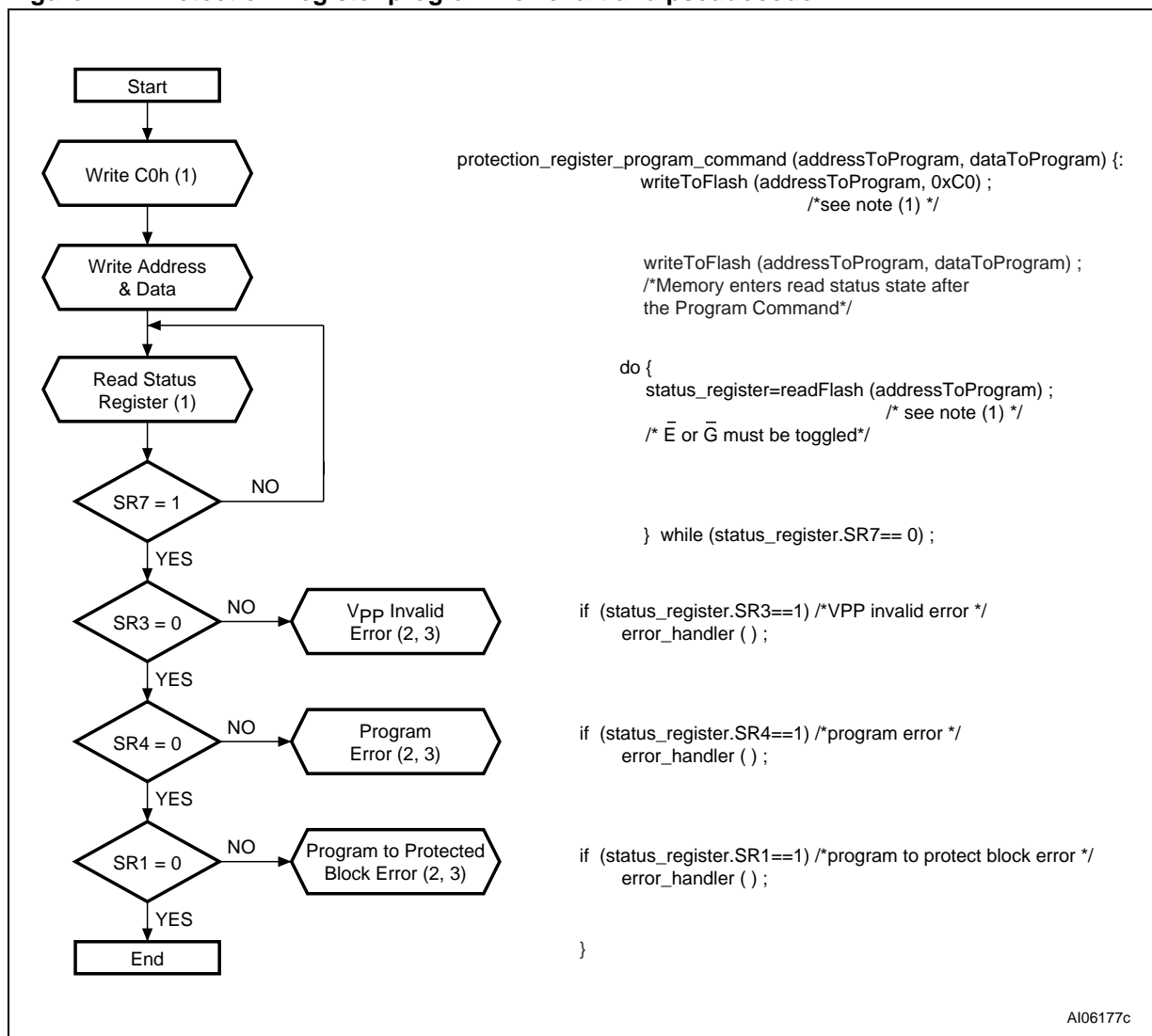
1. Any address within the bank can equally be used.

Figure 26. Blank check flowchart and pseudocode



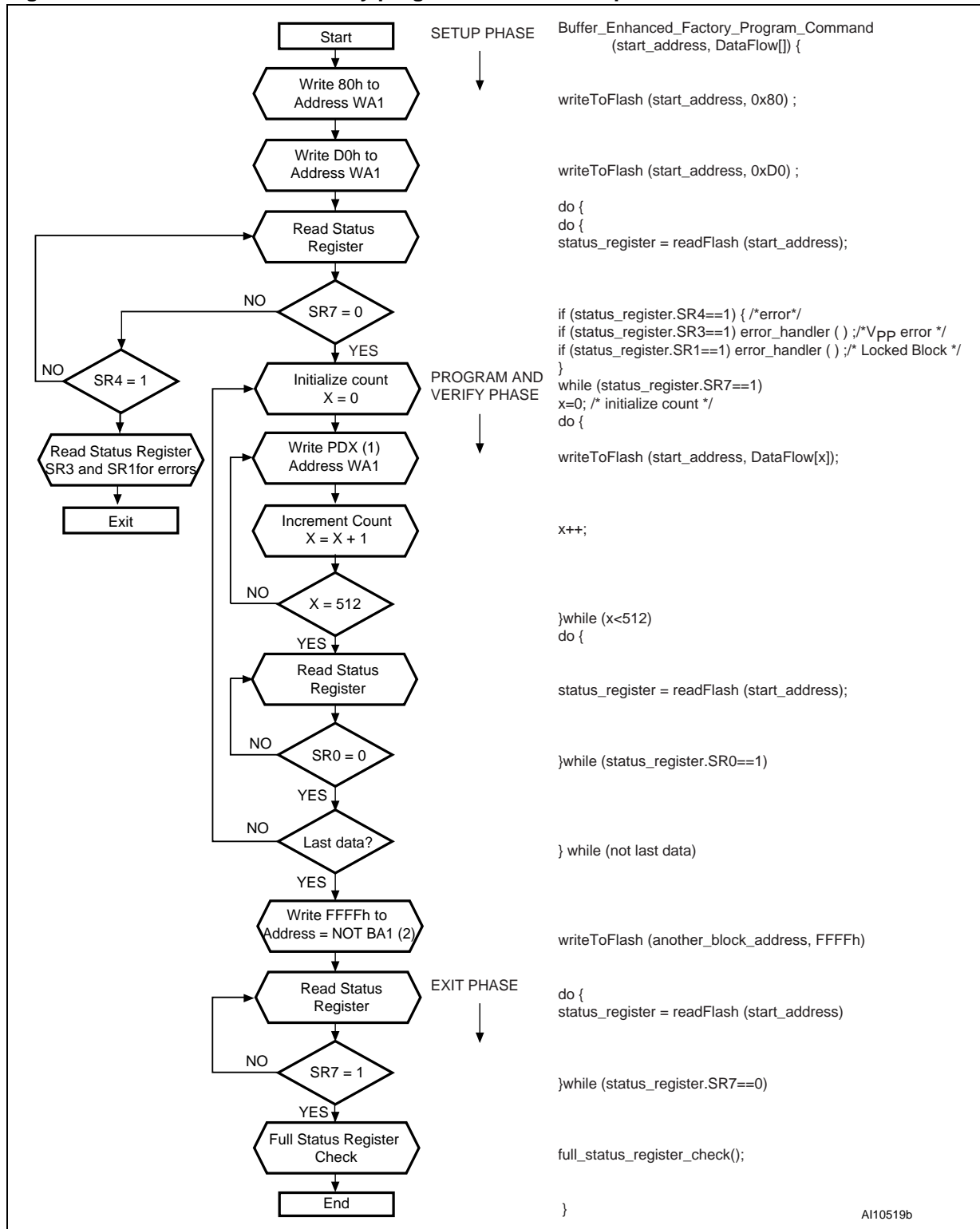
1. Any address within the bank can equally be used.
2. If an error is found, the Status Register must be cleared before further program/erase operations.

Figure 27. Protection Register program flowchart and pseudocode



1. Status check of SR1 (protected block), SR3 (V_{PP} invalid) and SR4 (program error) can be made after each program operation or after a sequence.
2. If an error is found, the Status Register must be cleared before further Program/Erase controller operations.

Figure 28. Buffer enhanced factory program flowchart and pseudocode



- When programming a program region configured in Control Program mode, 'B' half segment addresses (A3 = 1) should not contain '0' values.
- BA1 = block containing start address WA1.

Appendix D Command interface state tables

Table 53. Command interface states - modify table, next state 1

command input to chip and resulting chip next state ⁽⁷⁾													
Current chip state	Read Array	Read EFA	Program Setup	EFA Program Setup	BP	Block Erase Setup	EFA Block Erase Setup	BEFP	Confirm, Resume	Program/ Erase Suspend	Read Status		
	FFh	94h	41h	44h	E9h ^(8,9,10)	20h	24h	80h	D0h	B0h	70h		
ready	ready		pgrm setup	EFA block pgrm setup	BP setup	erase setup	EFA block erase setup	BEFP setup	ready				
Lock/CR/ECR Setup	ready (sequence error)								ready (unlock)	ready (sequence error)			
Lock EFA Block Setup													
OTP	setup	OTP busy											
	busy	OTP busy	IS in OTP busy	OTP busy	IS in OTP busy			OTP busy					
	IS in OTP busy	OTP busy											
WP or EFA Block WP	setup	WP busy											
	busy	program busy	IS in program busy	pgrm busy	IS in program busy			program busy	WP suspend	WP busy			
	IS in program busy	WP busy											
	suspend	PS	IS in PS	pgrm suspend	IS in PS			program busy	WP suspend				
	IS in PS	WP suspend											
BP	setup ^{(1), (2)}	BP load 1 (give word count load (N-1))											
	BP load 1 ⁽²⁾	if N=0 go to BP confirm else go to BP load 2 (data load) ⁽⁴⁾											
	BP load 2 ⁽²⁾	BP confirm when count =0 else BP load 2											
	BP confirm	ready (sequence error)								BP busy ⁽³⁾	ready (sequence error)		
	BP busy	BP busy	IS in BP busy	BP busy	IS in BP busy			BP busy	BP suspend	BP busy			
	IS in BP busy	BP busy											
	BP suspend	BP suspend	IS in BP suspend	BP suspend	IS in BP suspend			BP busy	BP suspend				
	IS in BP suspend	BP suspend											
Erase or EFA Block Erase	setup	ready (sequence error)								erase busy	ready (sequence error)		
	busy	erase busy	IS in erase busy	erase busy	IS in erase busy			erase busy	ES	erase busy			
	IS in erase busy	erase busy											
	suspend	ES	WP setup in ES	EFA block WP in ES	BP setup in ES	IS in ES			erase busy	ES			
	IS in ES	ES											

Table 53. Command interface states - modify table, next state 1 (continued)

command input to chip and resulting chip next state ⁽⁷⁾												
Current chip state	Read Array	Read EFA	Program Setup	EFA Program Setup	BP	Block Erase Setup	EFA Block Erase Setup	BEFP	Confirm, Resume	Program/Erase Suspend	Read Status	
	FFh	94h	41h	44h	E9h ^(8,9,10)	20h	24h	80h	D0h	B0h	70h	
WP in ES or EFA Block WP in ES	setup	WB busy in ES										
	busy	WP busy in ES	IS in program busy in ES	WP busy in ES	IS in program busy in ES			WP busy in ES	WP suspend is ES	WP busy in ES		
	IS in program busy in ES	WP busy in ES										
	suspend	WP suspend in ES	IS in PS in ES	WP suspend in ES	IS in PS in ES			WP busy in ES	WP suspend is ES			
	IS in PS in ES	WP suspend in ES										
BP in ES	setup ^{(1) (2)}	BP load 1 in ES (give word count load (N-1))										
	BP load 1 ⁽²⁾	if N=0 go to BP confirm in ES else go to BP load 2 in ES (data load) ⁽⁴⁾										
	BP load 2 ⁽²⁾	BP confirm in ES when count = 0 else BP load 2 in ES										
	BP confirm	ES (sequence error)							BP busy in ES ⁽³⁾	ES (sequence error)		
	BP busy	BP busy in ES	IS in BP busy in ES	BP busy in ES	IS in BP busy in ES			BP busy in ES	BP suspend in ES	BP busy in ES		
	IS in BP busy in ES	BP busy in ES										
	BP suspend	BP suspend in ES	IS in BP suspend in ES	BP suspend in ES	IS in BP suspend in ES			BP busy in ES	BP suspend in ES			
	IS in BP suspend in ES	BP suspend in ES										
Lock/CR/ECR/Lock EFA block setup in ES	ES (sequence error)							ES (unlock block)	ES (sequence error)			
Blank Check	setup	ready (sequence error)							blank check busy	ready (sequence error)		
	blank check busy	BC busy	IS in BC busy	BC busy	IS in BC busy			BC busy				
	IS in blank check busy	BC busy										
BEFP mode	setup	ready (sequence error)							BEFP loading data	ready (sequence error)		
	BEFP Busy ^{(5) (6)}	BEFP program and verify busy (in block address given matches on BEFP setup command). Commands treated as data										

Table 54. Command interface states - modify table, next state 2

Current chip state	command input to chip and resulting chip next state											WSM Operation Complete
	Clear SR	Read ID	Lock, CR, ECR Setup	Lock EFA Setup	Blank Check Setup	OTP Setup	Block Lock Confirm	Lock-down Confirm	Write CR/ECR Confirm	Illegal Cmd or BEFP Data		
	50h	90h 98h	60h	64h	BCh	C0h	01h	2Fh	03h 04h	others		
ready	ready		lock/CR/E CR setup	lock EFA block setup	blank check setup	OTP setup	ready			ready		
Lock/CR/ECR Setup	ready (sequence error)						ready (lock)	ready (lock down)	ready (set CR)	ready (sequence error)	N/A	
Lock EFA Block Setup	ready (sequence error)						ready (EFA lock)	ready (lock down)	ready (sequence error)	ready (sequence error)	N/A	
OTP	setup	OTP busy										
	busy	OTP busy	IS in OTP busy				OTP busy					
	IS in OTP busy	OTP busy										IS ready
WP or EFA Block WP	setup	WP busy								WP busy	N/A	
	busy	WP busy	IS in program busy			IS	WP busy				ready	
	IS in program busy	WP busy										IS ready
	suspend	WP suspend (error bits cleared)	WP suspend	IS in PS			WP suspend				N/A	
	IS in PS	WP suspend										
BP	setup	BP load 1 (give word count load (N-1))										
	BP load 1	if N=0 go to BP confirm else go to BP load 2 (data load)										
	BP load 2	BP confirm when count =0 else BP load 2								BP confirm when count = 0 else BP load 2	N/A	
	BP confirm	ready (sequence error)										
	BP busy	BP busy	IS in BP busy			IS	BP busy				ready	
	IS in BP busy	BP busy										IS ready
	BP suspend	BP suspend (error bits cleared)	BP suspend	IS in BP suspend			BP suspend				N/A	
	IS in BP suspend	BP suspend										
Erase or EFA Block Erase	setup	ready (sequence error)										N/A
	busy	erase busy	IS in erase busy			IS	erase busy				ready	
	IS in erase busy	erase busy										IS non-ready
	suspend	ES (error bits cleared)	ES	Lock/CR/E CR setup in ES	lock EFA block setup in ES	IS	ES				N/A	
	IS in ES	ES										

Command interface state tables

M58PR256LE, M58PR512LE, M58PR001LE

Table 54. Command interface states - modify table, next state 2 (continued)

Current chip state		command input to chip and resulting chip next state										WSM Operation Complete
		Clear SR	Read ID	Lock, CR, ECR Setup	Lock EFA Setup	Blank Check Setup	OTP Setup	Block Lock Confirm	Lock-down Confirm	Write CR/ECR Confirm	Illegal Cmd or BEFP Data	
		50h	90h 98h	60h	64h	BCh	C0h	01h	2Fh	03h 04h	others	
WP in ES or EFA Block WP in ES	setup	WP busy in ES									N/A	
	busy	WP busy in ES		IS			WP busy in ES				ES	
	IS in program busy in ES	WP busy in ES								WP busy in ES	IS in ES	
	suspend	WP suspend is ES (error bits cleared)	WP suspend in ES	IS in WP suspend in ES			WP suspend in ES				N/A	
	IS in PS in ES	WP suspend in ES								WP suspend in ES		
BP in ES	setup	BP load 1 in ES (give word count load (N-1))									N/A	
	BP load 1	if N=0 go to BP confirm in ES else go to BP load 2 in ES (data load)										
	BP load 2	BP confirm in ES when count = 0 else BP load 2 in ES								BP confirm when count = 0 else BP load 2		
	BP confirm	ready (sequence error) in ES									ES	
	BP busy	BP busy in ES		IS in BP busy in ES			IS	BP busy in ES				
	IS in BP busy in ES	BP busy in ES									IS in ES	
	BP suspend	BP suspend in ES (error bits cleared)	BP suspend in ES	IS in BP suspend in ES			BP suspend in ES				N/A	
IS in BP suspend in ES	BP suspend in ES								BP suspend in ES			
Lock/CR/ECR setup in ES	ES (sequence error)						ES (lock block)	ES (lock down)	ES	ES (lock error)	N/A	
Lock EFA block setup in ES									ES (sequence error)			
Blank Check	setup	ready (sequence error)								ready (error)	ready	
	blank check busy	BC busy		IS in BC busy			IS	BC busy				
	IS in blank check busy	BC busy								BC busy		IS ready
BEFP Mode	setup	ready (sequence error)									N/A	
	BEFP Busy	BEFP program and verify busy (in block address given matches on BEFP setup command). Commands treated as data								BEFP busy	ready	

Table 55. Command interface states - modify table, next output 1

Current chip state	command input to chip and resulting chip next state										
	Read Array	Read EFA Block	WP	EFA WP	BP	Erase Setup	EFA Block Erase Setup	BEFP Setup	Confirm, Resume	Program/ Erase Suspend	Read Status
	FFh	94h	41h	44h	E9h	20h	24h	80h	D0h	B0h	70h
BEFP Setup, BEFP program and verify busy, Erase Setup, Erase EFA setup OTP Setup, BP Confirm, WP setup, WP setup in ES, BP confirm in ES, blank check setup	status read										
EFA block WP setup, EFA block program setup in ES	EFA block status read										
Lock/CR/ECR setup, Lock/CR/ECR setup in ES	status read										
EFA block lock setup, EFA block lock setup in ES	EFA block status read										
OTP busy	read array	read EFA blocks	status read	EFA block status read	output state does not change	status read	EFA block status read	status read	output state does not change	status read	
ready, ES, BP suspend, WP busy, erase busy, BP busy, BP busy in ES, WP suspend, WP busy in ES, PS in ES, BP suspend in ES, Blank Check busy											
BP setup, BP load 1, BP load 2, IS	output state does not change										

Table 56. Command interface states - modify table, next output 2

Current Chip State	command input to chip and resulting chip next state									
	Clear SR	Read ID	Lock, CR, ECR Setup	Lock EFA Setup	Blank Check	OTP Setup	Lock Confirm	Lock-down Confirm	Write CR/ ECR Confirm	Illegal cmd or BEFP Data
	50h	90h 98h	60h	64h	BCh	C0h	01h	2Fh	03h 04h	others
BEFP Setup, BEFP program and verify busy, Erase Setup, Erase EFA setup, OTP Setup, BP Confirm, WP setup, WP setup in ES, BP confirm in ES, blank check setup	status read									
EFA block WP setup, EFA block program setup in ES	EFA block status read									
Lock/CR/ECR setup, Lock/CR/ECR setup in ES	status read								array read	status read
EFA block lock setup, EFA block lock setup in ES	EFA block status read								array read	EFA block status read
OTP busy	output state does not change	ID read	status read	EFA block status read	status read	output state does not change				output state does not change
ready, ES, BP suspend, WP busy, erase busy, BP busy, blank check busy, BP busy in ES, WP suspend, WP busy in ES, PS in ES, BP suspend in ES										
BP setup, BP load 1, BP load 2, IS	output state does not change									

- Note:
- 1 WP = Word Program, BP = Buffer program, cmd = command, SR = Status Register, pgrm = program, IS = Illegal state, PS = Program suspend, ES = Erase suspend, CI = Command Interface, CR = Configuration Register, BEFP = Buffer Enhanced Factory Program, P/E. C. = Program/Erase Controller, WA0 = Address in a block different from first BEFP address, ECR = Enhanced Configuration Register.
 - 2 The output state shows the type of data that appears at the outputs if the bank address is the same as the command address. A bank can be placed in Read Array, Read Status Register, Read Electronic Signature or Read CFI mode, depending on the command issued. Each bank remains in its last output state until a new command is issued to that bank. The next state does not depend on the bank output state.
 - 3 At Power-up, all banks are in Read Array mode. Issuing a Read Array command to a busy bank results in undetermined data output.
 - 4 The Clear Status Register command clears the Status Register error bits except when the P/EC is busy or suspended.
 - 5 BEFP is allowed only when Status Register bit SR0 is reset to '0'. BEFP is busy if the block address is the first BEFP address. Any other commands are treated as data.

- 6 *BEFP aborts when the block address is different from the first block address and data are FFFFh.*
- 7 *BEFP Exit when block address is different from first block address and data are FFFFh.*
- 8 *During BP setup, while entering the number of words to be programmed and filling the buffer, the read status of the partition does not change.*
- 9 *The BP confirm command changes the read status of the partition to Status Read.*
- 10 *Illegal commands are commands not defined in the command set.*

17 Revision history

Table 57. Document revision history

Date	Revision	Changes
28-Apr-2006	0.1	Initial release.
15-May-2006	0.2	1Gb density (M58PR001LE part number) added. V _{PP} range for application environment changed in Table 25: Operating and AC measurement conditions . I _{PP1} unit changed in Table 27: DC characteristics - currents .
14-Nov-2006	1	Document status promoted from Target Specification to Preliminary Data. Address lines modified in Figure 11: Asynchronous page read AC waveforms . V _{PP} max value modified in Table 24: Absolute maximum ratings . Small text changes.
06-Sep-2007	2	Modified Section 4.18: Set Enhanced Configuration Register command and Section 4.22: Suspend EFA Block command . Updated Table 23: Program/erase times and endurance cycles , Table 24: Absolute maximum ratings , Table 27: DC characteristics - currents , Table 29: Asynchronous read AC characteristics , and Table 31: Write AC characteristics, write enable controlled . Added t _{LLTV} timing in Table 30: Synchronous read AC characteristics and Figure 13: Single synchronous read AC waveforms . Modified Figure 24: Erase suspend and resume flowchart and pseudocode . Document status promoted from Preliminary Data to Datasheet.

M58PR256LE, M58PR512LE, M58PR001LE

Please Read Carefully:

Information in this document is provided solely in connection with ST products. STMicroelectronics NV and its subsidiaries ("ST") reserve the right to make changes, corrections, modifications or improvements, to this document, and the products and services described herein at any time, without notice.

All ST products are sold pursuant to ST's terms and conditions of sale.

Purchasers are solely responsible for the choice, selection and use of the ST products and services described herein, and ST assumes no liability whatsoever relating to the choice, selection or use of the ST products and services described herein.

No license, express or implied, by estoppel or otherwise, to any intellectual property rights is granted under this document. If any part of this document refers to any third party products or services it shall not be deemed a license grant by ST for the use of such third party products or services, or any intellectual property contained therein or considered as a warranty covering the use in any manner whatsoever of such third party products or services or any intellectual property contained therein.

UNLESS OTHERWISE SET FORTH IN ST'S TERMS AND CONDITIONS OF SALE ST DISCLAIMS ANY EXPRESS OR IMPLIED WARRANTY WITH RESPECT TO THE USE AND/OR SALE OF ST PRODUCTS INCLUDING WITHOUT LIMITATION IMPLIED WARRANTIES OF MERCHANTABILITY, FITNESS FOR A PARTICULAR PURPOSE (AND THEIR EQUIVALENTS UNDER THE LAWS OF ANY JURISDICTION), OR INFRINGEMENT OF ANY PATENT, COPYRIGHT OR OTHER INTELLECTUAL PROPERTY RIGHT.

UNLESS EXPRESSLY APPROVED IN WRITING BY AN AUTHORIZED ST REPRESENTATIVE, ST PRODUCTS ARE NOT RECOMMENDED, AUTHORIZED OR WARRANTED FOR USE IN MILITARY, AIR CRAFT, SPACE, LIFE SAVING, OR LIFE SUSTAINING APPLICATIONS, NOR IN PRODUCTS OR SYSTEMS WHERE FAILURE OR MALFUNCTION MAY RESULT IN PERSONAL INJURY, DEATH, OR SEVERE PROPERTY OR ENVIRONMENTAL DAMAGE. ST PRODUCTS WHICH ARE NOT SPECIFIED AS "AUTOMOTIVE GRADE" MAY ONLY BE USED IN AUTOMOTIVE APPLICATIONS AT USER'S OWN RISK.

Resale of ST products with provisions different from the statements and/or technical features set forth in this document shall immediately void any warranty granted by ST for the ST product or service described herein and shall not create or extend in any manner whatsoever, any liability of ST.

ST and the ST logo are trademarks or registered trademarks of ST in various countries.

Information in this document supersedes and replaces all information previously supplied.

The ST logo is a registered trademark of STMicroelectronics. All other names are the property of their respective owners.

© 2007 STMicroelectronics - All rights reserved

STMicroelectronics group of companies

Australia - Belgium - Brazil - Canada - China - Czech Republic - Finland - France - Germany - Hong Kong - India - Israel - Italy - Japan - Malaysia - Malta - Morocco - Singapore - Spain - Sweden - Switzerland - United Kingdom - United States of America

www.st.com

