



# M59DR032A M59DR032B

## 32 Mbit (2Mb x16, Dual Bank, Page) Low Voltage Flash Memory

PRELIMINARY DATA

- **SUPPLY VOLTAGE**
  - $V_{DD} = V_{DDQ} = 1.65V$  to  $2.2V$ : for Program, Erase and Read
  - $V_{PP} = 12V$ : optional Supply Voltage for fast Program and Erase
- **ASYNCHRONOUS PAGE MODE READ**
  - Page Width: 4 words
  - Page Access: 35ns
  - Random Access: 100ns
- **PROGRAMMING TIME**
  - 10 $\mu$ s by Word typical
  - Double Word Programming Option
- **MEMORY BLOCKS**
  - Dual Bank Memory Array: 4 Mbit - 28 Mbit
  - Parameter Blocks (Top or Bottom location)
  - Main Blocks
- **DUAL BANK OPERATIONS**
  - Read within one Bank while Program or Erase within the other
  - No delay between Read and Write operations
- **BLOCK PROTECTION/UNPROTECTION**
  - All Blocks protected at Power Up
  - Any combination of Blocks can be protected
  - $\overline{WP}$  for Block Locking
- **COMMON FLASH INTERFACE (CFI)**
- **64 bit SECURITY CODE**
- **ERASE SUSPEND and RESUME MODES**
- **100,000 PROGRAM/ERASE CYCLES per BLOCK**
- **20 YEARS DATA RETENTION**
  - Defectivity below 1ppm/year
- **ELECTRONIC SIGNATURE**
  - Manufacturer Code: 20h
  - Device Code, M59DR032A: A0h
  - Device Code, M59DR032B: A1h

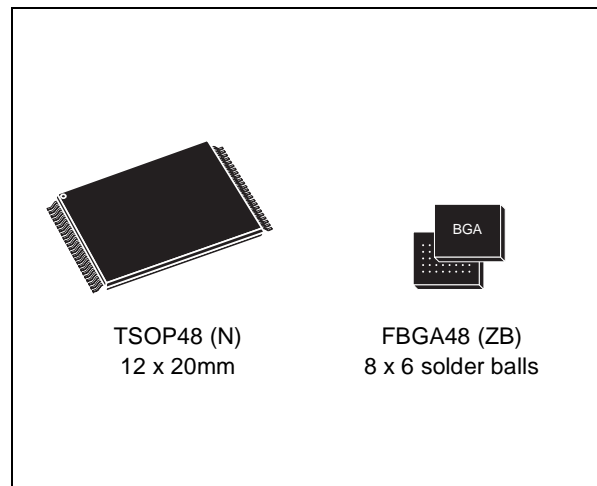


Figure 1. Logic Diagram

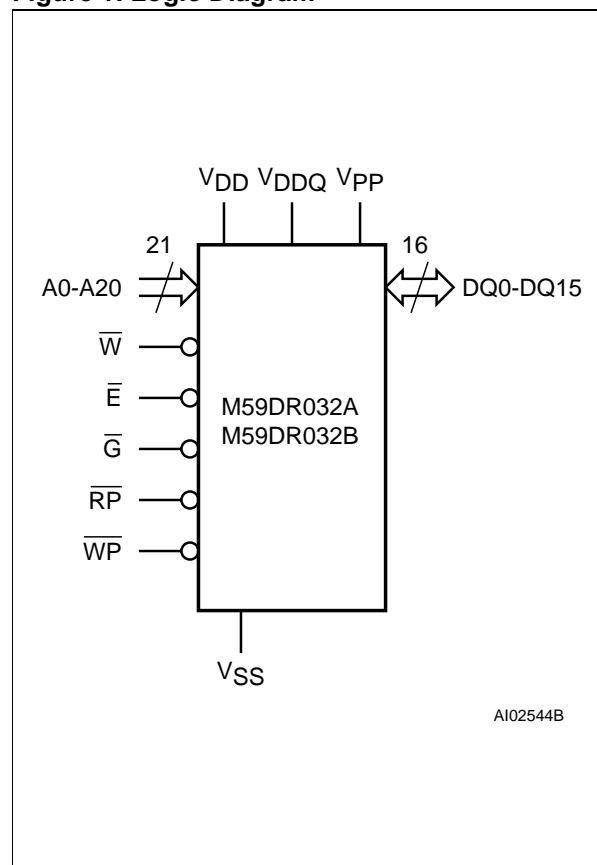


Figure 2A. FBGA Connections (Top View)

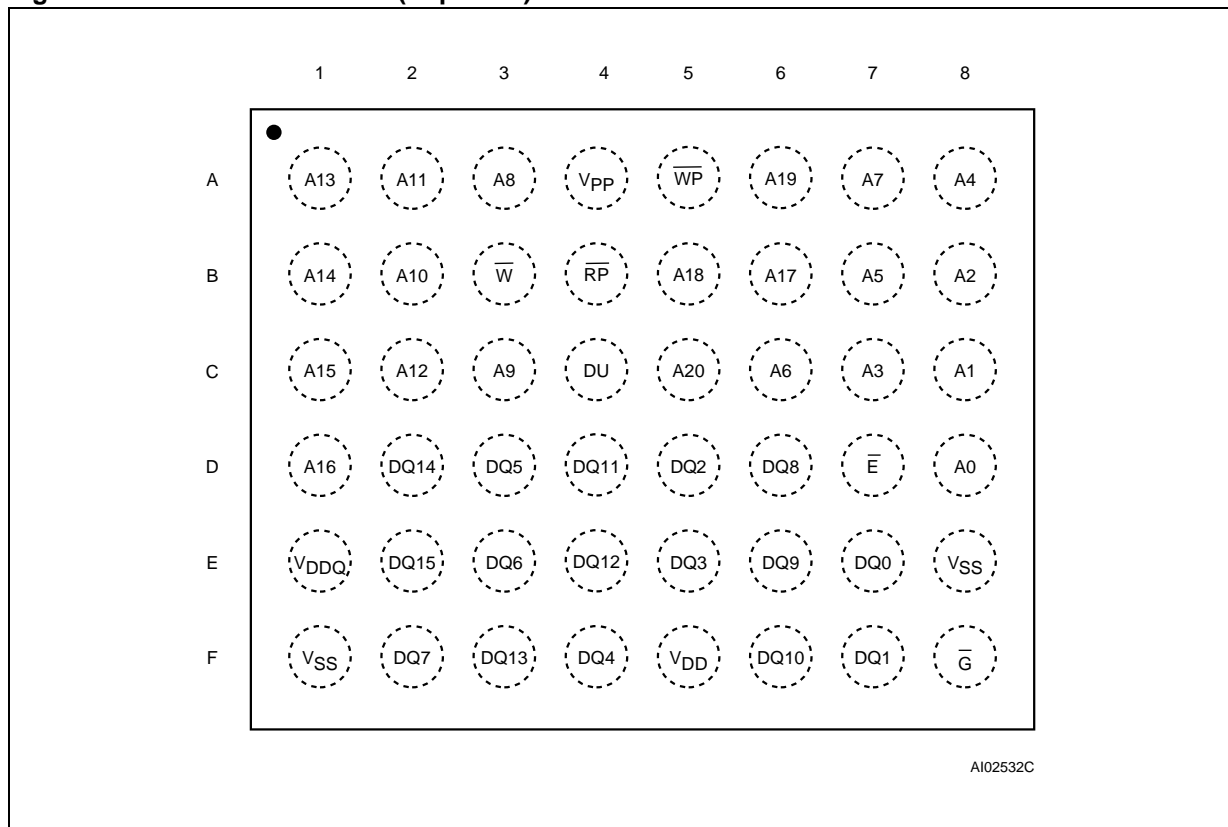


Figure 2B. TSOP Connections

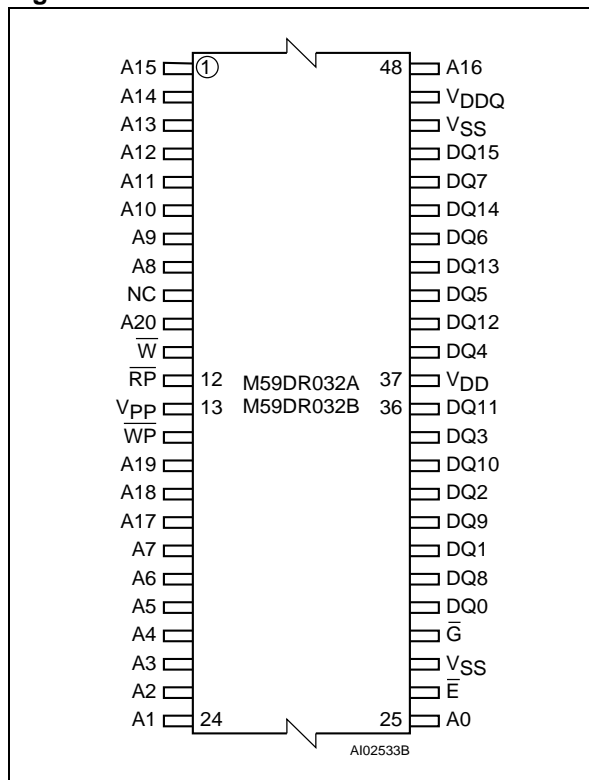


Table 1. Signal Names

A0-A20	Address Inputs
DQ0-DQ15	Data Input/Outputs, Command Inputs
$\overline{E}$	Chip Enable
$\overline{G}$	Output Enable
$\overline{W}$	Write Enable
$\overline{RP}$	Reset/Power Down
$\overline{WP}$	Write Protect
V <sub>DD</sub>	Circuitry Supply Voltage
V <sub>DDQ</sub>	Input/Output Buffers Supply Voltage
V <sub>PP</sub>	Optional Supply Voltage for Fast Program & Erase
V <sub>SS</sub>	Ground
NC	Not Connected Internally
DU	Don't use as internally connected

**Table 2. Absolute Maximum Ratings** <sup>(1)</sup>

Symbol	Parameter	Value	Unit
T <sub>A</sub>	Ambient Operating Temperature <sup>(2)</sup>	-40 to 85	°C
T <sub>BIAS</sub>	Temperature Under Bias	-40 to 125	°C
T <sub>STG</sub>	Storage Temperature	-55 to 155	°C
V <sub>IO</sub> <sup>(3)</sup>	Input or Output Voltage	-0.5 to V <sub>DDQ</sub> +0.5	V
V <sub>DD</sub> , V <sub>DDQ</sub>	Supply Voltage	-0.5 to 2.7	V
V <sub>PP</sub>	Program Voltage	-0.5 to 13	V

Note: 1. Except for the rating "Operating Temperature Range", stresses above those listed in the Table "Absolute Maximum Ratings" may cause permanent damage to the device. These are stress ratings only and operation of the device at these or any other conditions above those indicated in the Operating sections of this specification is not implied. Exposure to Absolute Maximum Rating conditions for extended periods may affect device reliability. Refer also to the STMicroelectronics SURE Program and other relevant quality documents.

2. Depends on range.

3. Minimum Voltage may undershoot to -2V during transition and for less than 20ns.

## DESCRIPTION

The M59DR032 is a 32 Mbit non-volatile Flash memory that may be erased electrically at block level and programmed in-system on a Word-by-Word basis using a 1.65V to 2.2V V<sub>DD</sub> supply for the circuitry. For Program and Erase operations the necessary high voltages are generated internally. The device supports asynchronous page mode from all the blocks of the memory array.

The array matrix organization allows each block to be erased and reprogrammed without affecting other blocks. All blocks are protected against programming and erase at Power Up. Blocks can be unprotected to make changes in the application and then reprotected.

Instructions for Read/Reset, Auto Select, Write Configuration Register, Programming, Block Erase, Bank Erase, Erase Suspend, Erase Resume, Block Protect, Block Unprotect, Block Locking, CFI Query, are written to the memory through a Command Interface using standard microprocessor write timings.

The device is offered in TSOP48 (12 x 20 mm) and in FBGA48 0.75 mm ball pitch packages.

When shipped all bits of the M59DR032 device are at the logical level '1'.

## Organization

The M59DR032 is organized as 2Mb x16 bits. A0-A20 are the address lines, DQ0-DQ15 are the Data Input/Output. Memory control is provided by Chip Enable  $\bar{E}$ , Output Enable  $\bar{G}$  and Write Enable  $\bar{W}$  inputs.

Reset  $\bar{RP}$  is used to reset all the memory circuitry and to set the chip in power down mode if this function is enabled by a proper setting of the Configuration Register. Erase and Program operations are controlled by an internal Program/Erase Controller (P/E.C.). Status Register data output on DQ7 provides a Data Polling signal, DQ6 and DQ2 provide Toggle signals and DQ5 provides error bit to indicate the state of the P/E.C operations.

## Memory Blocks

The device features asymmetrically blocked architecture. M59DR032 has an array of 71 blocks and is divided into two banks A and B, providing Dual Bank operations. While programming or erasing in Bank A, read operations are possible into Bank B or vice versa. The memory also features an erase suspend allowing to read or program in another block within the same bank. Once suspended the erase can be resumed. The Bank Size and Sectorization are summarized in Table 7. Parameter Blocks are located at the top of the memory address space for the M59DR032A, and at the bottom for the M59DR032B. The memory maps are shown in Tables 3, 4, 5 and 6.

The Program and Erase operations are managed automatically by the P/E.C. Block protection against Program or Erase provides additional data security. All blocks are protected at Power Up. Instructions are provided to protect or unprotect any block in the application. A second register locks the protection status while  $\bar{WP}$  is low (see Block Locking description). The Reset command does not affect the configuration of unprotected blocks and the Configuration Register status.

**Table 3. Bank A, Top Boot Block Address**

Size (KWord)	Address Range
4	1FF000h-1FFFFFFh
4	1FE000h-1FEFFFh
4	1FD000h-1FDFFFh
4	1FC000h-1FCFFFh
4	1FB000h-1FBFFFh
4	1FA000h-1FAFFFh
4	1F9000h-1F9FFFh
4	1F8000h-1F8FFFh
32	1F0000h-1F7FFFh
32	1E8000h-1EFFFFh
32	1E0000h-1E7FFFh
32	1D8000h-1DFFFFh
32	1D0000h-1D7FFFh
32	1C8000h-1CFFFFh
32	1C0000h-1C7FFFh

**Table 4. Bank B, Top Boot Block Address**

Size (KWord)	Address Range
32	1B8000h-1BFFFFh
32	1B0000h-1B7FFFh
32	1A8000h-1AFFFFh
32	1A0000h-1A7FFFh
32	198000h-19FFFFh
32	190000h-197FFFh
32	188000h-18FFFFh
32	180000h-187FFFh
32	178000h-17FFFFh
32	170000h-177FFFh
32	168000h-16FFFFh
32	160000h-167FFFh
32	158000h-15FFFFh
32	150000h-157FFFh
32	148000h-14FFFFh
32	140000h-147FFFh
32	138000h-13FFFFh
32	130000h-137FFFh

32	128000h-12FFFFh
32	120000h-127FFFh
32	118000h-11FFFFh
32	110000h-117FFFh
32	108000h-10FFFFh
32	100000h-107FFFh
32	0F8000h-0FFFFFh
32	0F0000h-0F7FFFh
32	0E8000h-0EFFFFh
32	0E0000h-0E7FFFh
32	0D8000h-0DFFFFh
32	0D0000h-0D7FFFh
32	0C8000h-0CFFFFh
32	0C0000h-0C7FFFh
32	0B8000h-0BFFFFh
32	0B0000h-0B7FFFh
32	0A8000h-0AFFFFh
32	0A0000h-0A7FFFh
32	098000h-09FFFFh
32	090000h-097FFFh
32	088000h-08FFFFh
32	080000h-087FFFh
32	078000h-07FFFFh
32	070000h-077FFFh
32	068000h-06FFFFh
32	060000h-067FFFh
32	058000h-05FFFFh
32	050000h-057FFFh
32	048000h-04FFFFh
32	040000h-047FFFh
32	038000h-03FFFFh
32	030000h-037FFFh
32	028000h-02FFFFh
32	020000h-027FFFh
32	018000h-01FFFFh
32	010000h-017FFFh
32	008000h-00FFFFh
32	000000h-007FFFh

**Table 5. Bank B, Bottom Boot Block Address**

Size (KWord)	Address Range
32	1F8000h-1FFFFFFh
32	1F0000h-1F7FFFh
32	1E8000h-1EFFFFh
32	1E0000h-1E7FFFh
32	1D8000h-1DFFFFh
32	1D0000h-1D7FFFh
32	1C8000h-1CFFFFh
32	1C0000h-1C7FFFh
32	1B8000h-1BFFFFh
32	1B0000h-1B7FFFh
32	1A8000h-1AFFFFh
32	1A0000h-1A7FFFh
32	198000h-19FFFFh
32	190000h-197FFFh
32	188000h-18FFFFh
32	180000h-187FFFh
32	178000h-17FFFFh
32	170000h-177FFFh
32	168000h-16FFFFh
32	160000h-167FFFh
32	158000h-15FFFFh
32	150000h-157FFFh
32	148000h-14FFFFh
32	140000h-147FFFh
32	138000h-13FFFFh
32	130000h-137FFFh
32	128000h-12FFFFh
32	120000h-127FFFh
32	118000h-11FFFFh
32	110000h-117FFFh
32	108000h-10FFFFh
32	100000h-107FFFh
32	0F8000h-0FFFFFFh
32	0F0000h-0F7FFFh
32	0E8000h-0EFFFFh
32	0E0000h-0E7FFFh

32	0D8000h-0DFFFFh
32	0D0000h-0D7FFFh
32	0C8000h-0CFFFFh
32	0C0000h-0C7FFFh
32	0B8000h-0BFFFFh
32	0B0000h-0B7FFFh
32	0A8000h-0AFFFFh
32	0A0000h-0A7FFFh
32	098000h-09FFFFh
32	090000h-097FFFh
32	088000h-08FFFFh
32	080000h-087FFFh
32	078000h-07FFFFh
32	070000h-077FFFh
32	068000h-06FFFFh
32	060000h-067FFFh
32	058000h-05FFFFh
32	050000h-057FFFh
32	048000h-04FFFFh
32	040000h-047FFFh

**Table 6. Bank A, Bottom Boot Block Address**

Size (KWord)	Address Range
32	038000h-03FFFFh
32	030000h-037FFFh
32	028000h-02FFFFh
32	020000h-027FFFh
32	018000h-01FFFFh
32	010000h-017FFFh
32	008000h-00FFFFh
4	007000h-007FFFh
4	006000h-006FFFh
4	005000h-005FFFh
4	004000h-004FFFh
4	003000h-003FFFh
4	002000h-002FFFh
4	001000h-001FFFh
4	000000h-000FFFh

Table 7. Bank Size and Sectorization

	Bank Size	Parameter Blocks	Main Blocks
Bank A	4 Mbit	8 blocks of 4 KWord	7 blocks of 32 KWord
Bank B	28 Mbit	-	56 blocks of 32 KWord

## SIGNAL DESCRIPTIONS

See Figure 1 and Table 1.

**Address Inputs (A0-A20).** The address inputs for the memory array are latched during a write operation on the falling edge of Chip Enable  $\bar{E}$  or Write Enable  $\bar{W}$ , whichever occurs last.

**Data Input/Output (DQ0-DQ15).** The Input is data to be programmed in the memory array or a command to be written to the Command Interface (C.I.) Both input data and commands are latched on the rising edge of Write Enable  $\bar{W}$ . The Output is data from the Memory Array, the Common Flash Interface, the Electronic Signature Manufacturer or Device codes, the Block Protection status, the Configuration Register status or the Status Register Data Polling bit DQ7, the Toggle Bits DQ6 and DQ2, the Error bit DQ5. The data bus is high impedance when the chip is deselected, Output Enable  $\bar{G}$  is at  $V_{IH}$ , or  $\bar{R}\bar{P}$  is at  $V_{IL}$ .

**Chip Enable ( $\bar{E}$ ).** The Chip Enable input activates the memory control logic, input buffers, decoders and sense amplifiers.  $\bar{E}$  at  $V_{IH}$  deselected the memory and reduces the power consumption to the standby level.  $\bar{E}$  can also be used to control writing to the command register and to the memory array, while  $\bar{W}$  remains at  $V_{IL}$ .

**Output Enable ( $\bar{G}$ ).** The Output Enable gates the outputs through the data buffers during a read operation. When  $\bar{G}$  is at  $V_{IH}$  the outputs are High impedance.

**Write Enable ( $\bar{W}$ ).** This input controls writing to the Command Register and Data latches. Data are latched on the rising edge of  $\bar{W}$ .

**Write Protect ( $\bar{W}\bar{P}$ ).** This input gives an additional hardware protection level against program or erase when pulled at  $V_{IL}$ , as described in the Block Lock instruction description.

**Reset/Power Down Input ( $\bar{R}\bar{P}$ ).** The  $\bar{R}\bar{P}$  input provides hardware reset of the memory (without affecting the Configuration Register status), and/or Power Down functions, depending on the Configuration Register status. Reset/Power Down of the memory is achieved by pulling  $\bar{R}\bar{P}$  to  $V_{IL}$  for at least  $t_{PLPH}$ . When the reset pulse is given, if the memory is in Read, Erase Suspend Read or Standby, it will output new valid data in  $t_{PHQ7V1}$  after the rising edge of  $\bar{R}\bar{P}$ . If the memory is in Erase or Program modes, the operation will be aborted

and the reset recovery will take a maximum of  $t_{PLQ7V}$ . The memory will recover from Power Down (when enabled) in  $t_{PHQ7V2}$  after the rising edge of  $\bar{R}\bar{P}$ . See Tables 25, 26 and Figure 9.

### **V<sub>DD</sub> and V<sub>DDQ</sub> Supply Voltage (1.65V to 2.2V).**

The main power supply for all operations (Read, Program and Erase).  $V_{DD}$  and  $V_{DDQ}$  must be at the same voltage.

**V<sub>PP</sub> Programming Voltage (11.4V to 12.6V).** Used to provide high voltage for fast factory programming. High voltage on  $V_{PP}$  pin is required to use the Double Word Program instruction. It is also possible to perform word program or erase instructions with  $V_{PP}$  pin grounded.

**V<sub>SS</sub> Ground.**  $V_{SS}$  is the reference for all the voltage measurements.

## DEVICE OPERATIONS

The following operations can be performed using the appropriate bus cycles: Read Array (Random, and Page Modes), Write command, Output Disable, Standby, Reset/Power Down and Block Locking. See Table 8.

**Read.** Read operations are used to output the contents of the Memory Array, the Electronic Signature, the Status Register, the CFI, the Block Protection Status or the Configuration Register status. Read operation of the memory array is performed in asynchronous page mode, that provides fast access time. Data is internally read and stored in a page buffer. The page has a size of 4 words and is addressed by A0-A1 address inputs. Read operations of the Electronic Signature, the Status Register, the CFI, the Block Protection Status, the Configuration Register status and the Security Code are performed as single asynchronous read cycles (Random Read). Both Chip Enable  $\bar{E}$  and Output Enable  $\bar{G}$  must be at  $V_{IL}$  in order to read the output of the memory.

**Write.** Write operations are used to give Instruction Commands to the memory or to latch Input Data to be programmed. A write operation is initiated when Chip Enable  $\bar{E}$  and Write Enable  $\bar{W}$  are at  $V_{IL}$  with Output Enable  $\bar{G}$  at  $V_{IH}$ . Addresses are latched on the falling edge of  $\bar{W}$  or  $\bar{E}$  whichever occurs last. Commands and Input Data are latched on the rising edge of  $\bar{W}$  or  $\bar{E}$  whichever occurs first. Noise pulses of less than 5ns typical on  $\bar{E}$ ,  $\bar{W}$  and  $\bar{G}$  signals do not start a write cycle.

**Table 8. User Bus Operations (1)**

Operation	$\bar{E}$	$\bar{G}$	$\bar{W}$	$\bar{RP}$	$\bar{WP}$	DQ15-DQ0
Write	V <sub>IL</sub>	V <sub>IH</sub>	V <sub>IL</sub>	V <sub>IH</sub>	V <sub>IH</sub>	Data Input
Output Disable	V <sub>IL</sub>	V <sub>IH</sub>	V <sub>IH</sub>	V <sub>IH</sub>	V <sub>IH</sub>	Hi-Z
Standby	V <sub>IH</sub>	X	X	V <sub>IH</sub>	V <sub>IH</sub>	Hi-Z
Reset / Power Down	X	X	X	V <sub>IL</sub>	V <sub>IH</sub>	Hi-Z
Block Locking	V <sub>IL</sub>	X	X	V <sub>IH</sub>	V <sub>IL</sub>	X

Note: 1. X = Don't care.

**Table 9. Read Electronic Signature (AS and Read CFI instructions)**

Code	Device	$\bar{E}$	$\bar{G}$	$\bar{W}$	A0	A1	A7-A2	Other Addresses	DQ15-DQ8	DQ7-DQ0
Manufacturer Code		V <sub>IL</sub>	V <sub>IL</sub>	V <sub>IH</sub>	V <sub>IL</sub>	V <sub>IL</sub>	0	Don't Care	00h	20h
Device Code	M59DR032A	V <sub>IL</sub>	V <sub>IL</sub>	V <sub>IH</sub>	V <sub>IH</sub>	V <sub>IL</sub>	0	Don't Care	00h	A0h
	M59DR032B	V <sub>IL</sub>	V <sub>IL</sub>	V <sub>IH</sub>	V <sub>IH</sub>	V <sub>IL</sub>	0	Don't Care	00h	A1h

**Table 10. Read Block Protection (AS and Read CFI instructions)**

Block Status	$\bar{E}$	$\bar{G}$	$\bar{W}$	A0	A1	A20-A12	A7-A2	Other Addresses	DQ0	DQ1	DQ15-DQ2
Protected Block	V <sub>IL</sub>	V <sub>IL</sub>	V <sub>IH</sub>	V <sub>IL</sub>	V <sub>IH</sub>	Block Address	0	Don't Care	1	0	0000h
Unprotected Block	V <sub>IL</sub>	V <sub>IL</sub>	V <sub>IH</sub>	V <sub>IL</sub>	V <sub>IH</sub>	Block Address	0	Don't Care	0	0	0000h
Locked Block	V <sub>IL</sub>	V <sub>IL</sub>	V <sub>IH</sub>	V <sub>IL</sub>	V <sub>IH</sub>	Block Address	0	Don't Care	X	1	0000h

**Table 11. Read Configuration Register (AS and Read CFI instructions)**

$\bar{RP}$ Function	$\bar{E}$	$\bar{G}$	$\bar{W}$	A0	A1	A7-A2	Other Addresses	DQ10	DQ9-DQ0 DQ15-DQ11
Reset	V <sub>IL</sub>	V <sub>IL</sub>	V <sub>IH</sub>	V <sub>IH</sub>	V <sub>IH</sub>	0	Don't Care	0	Don't Care
Reset/Power Down	V <sub>IL</sub>	V <sub>IL</sub>	V <sub>IH</sub>	V <sub>IH</sub>	V <sub>IH</sub>	0	Don't Care	1	Don't Care

**Dual Bank Operations.** The Dual Bank allows to read data from one bank of memory while a program or erase operation is in progress in the other bank of the memory. Read and Write cycles can be initiated for simultaneous operations in different banks without any delay. Status Register during Program or Erase must be monitored using an address within the bank being modified.

**Output Disable.** The data outputs are high impedance when the Output Enable  $\bar{G}$  is at V<sub>IH</sub> with Write Enable  $\bar{W}$  at V<sub>IH</sub>.

**Standby.** The memory is in standby when Chip Enable  $\bar{E}$  is at V<sub>IH</sub> and the P/E.C. is idle. The power consumption is reduced to the standby level and the outputs are high impedance, independent of the Output Enable  $\bar{G}$  or Write Enable  $\bar{W}$  inputs.

**Automatic Standby.** When in Read mode, after 150ns of bus inactivity and when CMOS levels are driving the addresses, the chip automatically enters a pseudo-standby mode where consumption is reduced to the CMOS standby value, while outputs still drive the bus.

**Power Down.** The memory is in Power Down when the Configuration Register is set for Power Down and  $\bar{RP}$  is at V<sub>IL</sub>. The power consumption is reduced to the Power Down level, and Outputs are in high impedance, independent of the Chip Enable  $\bar{E}$ , Output Enable  $\bar{G}$  or Write Enable  $\bar{W}$  inputs.

**Block Locking.** Any combination of blocks can be temporarily protected against Program or Erase by setting the lock register and pulling  $\bar{WP}$  to V<sub>IL</sub> (see Block Lock instruction).

**INSTRUCTIONS AND COMMANDS**

Seventeen instructions are defined (see Table 14A), and the internal P/E.C. automatically handles all timing and verification of the Program and Erase operations. The Status Register Data Polling, Toggle, Error bits can be read at any time, during programming or erase, to monitor the progress of the operation.

Instructions, made up of one or more commands written in cycles, can be given to the Program/Erase Controller through a Command Interface (C.I.). The C.I. latches commands written to the memory. Commands are made of address and data sequences. Two Coded Cycles unlock the Command Interface. They are followed by an input command or a confirmation command. The Coded Sequence consists of writing the data AAh at the address 555h during the first cycle and the data 55h at the address 2AAh during the second cycle.

Instructions are composed of up to six cycles. The first two cycles input a Coded Sequence to the Command Interface which is common to all instructions (see Table 14A). The third cycle inputs the instruction set-up command. Subsequent cycles output the addressed data, Electronic Signature, Block Protection, Configuration Register Status or CFI Query for Read operations. In order to give additional data protection, the instructions for Block Erase and Bank Erase require further command inputs. For a Program instruction, the fourth command cycle inputs the address and data to be programmed. For a Double Word Programming instruction, the fourth and fifth command cycles input the address and data to be programmed. For a Block Erase and Bank Erase instructions, the fourth and fifth cycles input a further Coded Sequence before the Erase confirm command on the sixth cycle. Any combination of blocks of the same memory bank can be erased. Erasure of a memory block may be suspended, in order to read data from another block or to program data in another block, and then resumed. When power is first applied the command interface is reset to Read Array.

Command sequencing must be followed exactly. Any invalid combination of commands will reset the device to Read Array. The increased number of cycles has been chosen to ensure maximum data security.

**Read/Reset (RD) Instruction.** The Read/Reset instruction consists of one write cycle giving the command F0h. It can be optionally preceded by the two Coded Cycles. Subsequent read operations will read the memory array addressed and output the data read.

**CFI Query (RCFI) Instruction.** Common Flash Interface Query mode is entered writing 98h at address 55h. The CFI data structure gives information on the device, such as the sectorization, the command set and some electrical specifications. Tables 15, 16, 17 and 18 show the addresses used to retrieve each data. The CFI data structure contains also a security area; in this section, a 64 bit unique security number is written, starting at address 80h. This area can be accessed only in read mode by the final user and there are no ways of changing the code after it has been written by ST. Write a read instruction (RD) to return to Read mode.

**Table 12. Commands**

Hex Code	Command
00h	Bypass Reset
10h	Bank Erase Confirm
20h	Unlock Bypass
30h	Block Erase Resume/Confirm
40h	Double Word Program
60h	Block Protect, or Block Unprotect, or Block Lock, or Write Configuration Register
80h	Set-up Erase
90h	Read Electronic Signature, or Block Protection Status, or Configuration Register Status
98h	CFI Query
A0h	Program
B0h	Erase Suspend
F0h	Read Array/Reset



**Auto Select (AS) Instruction.** This instruction uses two Coded Cycles followed by one write cycle giving the command 90h to address 555h for command set-up. A subsequent read will output the Manufacturer or the Device Code (Electronic Signature), the Block Protection status or the Configuration Register status depending on the levels of A0 and A1 (see Tables 9, 10 and 11). A7-A2 must be at  $V_{IL}$ , while other address input are ignored. The bank address is don't care for this instruction. The Electronic Signature can be read from the memory allowing programming equipment or applications to automatically match their interface to the characteristics of M59DR032. The Manufacturer Code is output when the address lines A0 and A1 are at  $V_{IL}$ , the Device Code is output when A0 is at  $V_{IH}$  with A1 at  $V_{IL}$ .

The codes are output on DQ0-DQ7 with DQ8-DQ15 at 00h. The AS instruction also allows the access to the Block Protection Status. After giving the AS instruction, A0 is set to  $V_{IL}$  with A1 at  $V_{IH}$ , while A12-A20 define the address of the block to be verified. A read in these conditions will output a 01h if the block is protected and a 00h if the block is not protected.

The AS Instruction finally allows the access to the Configuration Register status if both A0 and A1 are set to  $V_{IH}$ . If DQ10 is '0' only the Reset function is active as  $\overline{RP}$  is set to  $V_{IL}$  (default at power-up). If DQ10 is '1' both the Reset and the Power Down functions will be achieved by pulling  $\overline{RP}$  to  $V_{IL}$ . The other bits of the Configuration Register are reserved and must be ignored. A reset command puts the device in read array mode.

**Write Configuration Register (CR) Instruction.** This instruction uses two Coded Cycles followed by one write cycle giving the command 60h to address 555h. A further write cycle giving the command 03h writes the contents of address bits A0-A15 to the 16 bits configuration register. Bits written by inputs A0-A9 and A11-A15 are reserved for future use. Address input A10 defines the status of the Reset/Power Down functions. It must be set to  $V_{IL}$  to enable only the Reset function and to  $V_{IH}$  to enable also the Power Down function. At Power Up all the Configuration Register bits are reset to '0'.

**Enter Bypass Mode (EBY) Instruction.** This instruction uses the two Coded cycles followed by one write cycle giving the command 20h to address 555h for mode set-up. Once in Bypass mode, the device will accept the Exit Bypass

(XBY) and Program or Double Word Program in Bypass mode (PGBY, DPGBY) commands. The Bypass mode allows to reduce the overall programming time when large memory arrays need to be programmed.

**Exit Bypass Mode (XBY) Instruction.** This instruction uses two write cycles. The first inputs to the memory the command 90h and the second inputs the Exit Bypass mode confirm (00h). After the XBY instruction, the device resets to Read Memory Array mode.

**Program in Bypass Mode (PGBY) Instruction.** This instruction uses two write cycles. The Program command A0h is written to any Address on the first cycle and the second write cycle latches the Address on the falling edge of W or E and the Data to be written on the rising edge and starts the P/E.C. Read operations within the same bank output the Status Register bits after the programming has started. Memory programming is made only by writing '0' in place of '1'. Status bits DQ6 and DQ7 determine if programming is on-going and DQ5 allows verification of any possible error.

**Program (PG) Instruction.** This instruction uses four write cycles. The Program command A0h is written to address 555h on the third cycle after two Coded Cycles. A fourth write operation latches the Address and the Data to be written and starts the P/E.C. Read operations within the same bank output the Status Register bits after the programming has started. Memory programming is made only by writing '0' in place of '1'. Status bits DQ6 and DQ7 determine if programming is on-going and DQ5 allows verification of any possible error. Programming at an address not in blocks being erased is also possible during erase suspend.

**Double Word Program (DPG) Instruction.** This feature is offered to improve the programming throughput, writing a page of two adjacent words in parallel. High voltage (11.4V to 12.6V) on  $V_{PP}$  pin is required. This instruction uses five write cycles. The double word program command 40h is written to address 555h on the third cycle after two Coded Cycles. A fourth write cycle latches the address and data to be written to the first location. A fifth write cycle latches the new data to be written to the second location and starts the P/E.C.. Note that the two locations must have the same address except for the address bit A0. The Double Word Program can be executed in Bypass mode (DPGBY) to skip the two coded cycles at the beginning of each command.

Table 13. Protection States <sup>(1)</sup>

Current State <sup>(2)</sup> (WP, DQ1, DQ0)	Program/Erase Allowed	Next State After Event <sup>(3)</sup>			
		Protect	Unprotect	Lock	$\overline{WP}$ transition
100	yes	101	100	111	000
101	no	101	100	111	001
110	yes	111	110	111	011
111	no	111	110	111	011
000	yes	001	000	011	100
001	no	001	000	011	101
011	no	011	011	011	111 or 110 <sup>(4)</sup>

Note: 1. All blocks are protected at power-up, so the default configuration is 001 or 101 according to  $\overline{WP}$  status.  
 2. Current state and Next state gives the protection status of a block. The protection status is defined by the write protect pin and by DQ1 (= 1 for a locked block) and DQ0 (= 1 for a protected block) as read in the Autoselect instruction with A1 =  $V_{IH}$  and A0 =  $V_{IL}$ .  
 3. Next state is the protection status of a block after a Protect or Unprotect or Lock command has been issued or after  $\overline{WP}$  has changed its logic value.  
 4. A  $\overline{WP}$  transition to  $V_{IH}$  on a locked block will restore the previous DQ0 value, giving a 111 or 110.

**Block Protect (BP), Block Unprotect (BU), Block Lock (BL) Instructions.** All blocks are protected at power-up. Each block of the array has two levels of protection against program or erase operation. The first level is set by the Block Protect instruction; a protected block cannot be programmed or erased until a Block Unprotect instruction is given for that block. A second level of protection is set by the Block Lock instruction, and requires the use of the  $\overline{WP}$  pin, according to the following scheme:

- when  $\overline{WP}$  is at  $V_{IH}$ , the Lock status is overridden and all blocks can be protected or unprotected;
- when  $\overline{WP}$  is at  $V_{IL}$ , Lock status is enabled; the locked blocks are protected, regardless of their previous protect state, and protection status cannot be changed. Blocks that are not locked can still change their protection status, and program or erase accordingly;
- the lock status is cleared for all blocks at power up; once a block has been locked state can be cleared only with a reset command. The protection and lock status can be monitored for each block using the Autoselect (AS) instruction. Protected blocks will output a '1' on DQ0 and locked blocks will output a '1' on DQ1.

Refer to Table 13 for a list of the protection states.

**Block Erase (BE) Instruction.** This instruction uses a minimum of six write cycles. The Erase Set-up command 80h is written to address 555h on third cycle after the two Coded cycles. The Block Erase Confirm command 30h is similarly written on the sixth cycle after another two Coded cycles and an address within the block to be erased is given and latched into the memory.

Additional block Erase Confirm commands and block addresses can be written subsequently to erase other blocks in parallel, without further Coded cycles. All blocks must belong to the same bank of memory; if a new block belonging to the other bank is given, the operation is aborted. The erase will start after an erase timeout period of 100 $\mu$ s. Thus, additional Erase Confirm commands for other blocks must be given within this delay. The input of a new Erase Confirm command will restart the timeout period. The status of the internal timer can be monitored through the level of DQ3, if DQ3 is '0' the Block Erase Command has been given and the timeout is running, if DQ3 is '1', the timeout has expired and the P/E.C. is erasing the Block(s). If the second command given is not an erase confirm or if the Coded cycles are wrong, the instruction aborts, and the device is reset to Read Array. It is not necessary to program the block with 00h as the P/E.C. will do this automatically before erasing to FFh. Read operations within the same bank, after the sixth rising edge of  $\overline{W}$  or  $\overline{E}$ , output the status register bits.

During the execution of the erase by the P/E.C., the memory accepts only the Erase Suspend ES instruction; the Read/Reset RD instruction is accepted during the 100 $\mu$ s time-out period. Data Polling bit DQ7 returns '0' while the erasure is in progress and '1' when it has completed. The Toggle bit DQ6 toggles during the erase operation, and stops when erase is completed.

After completion the Status Register bit DQ5 returns '1' if there has been an erase failure. In such a situation, the Toggle bit DQ2 can be used to determine which block is not correctly erased. In the case of erase failure, a Read/Reset RD instruction is necessary in order to reset the P/E.C.

**Bank Erase (BKE) Instruction.** This instruction uses six write cycles and is used to erase all the blocks belonging to the selected bank. The Erase Set-up command 80h is written to address 555h on the third cycle after the two Coded cycles. The Bank Erase Confirm command 10h is similarly written on the sixth cycle after another two Coded cycles at an address within the selected bank. If the second command given is not an erase confirm or if the Coded cycles are wrong, the instruction aborts and the device is reset to Read Array. It is not necessary to program the array with 00h first as the P/E.C. will automatically do this before erasing it to FFh. Read operations within the same bank after the sixth rising edge of  $\bar{W}$  or  $\bar{E}$  output the Status Register bits. During the execution of the erase by the P/E.C., Data Polling bit DQ7 returns '0', then '1' on completion. The Toggle bit DQ6 toggles during erase operation and stops when erase is completed. After completion the Status Register bit DQ5 returns '1' if there has been an Erase Failure.

**Erase Suspend (ES) Instruction.** In a dual bank memory the Erase Suspend instruction is used to read data within the bank where erase is in

progress. It is also possible to program data in blocks not being erased.

The Erase Suspend instruction consists of writing the command B0h without any specific address. No Coded Cycles are required. Erase suspend is accepted only during the Block Erase instruction execution. The Toggle bit DQ6 stops toggling when the P/E.C. is suspended within 15 $\mu$ s after the Erase Suspend (ES) command has been written. The device will then automatically be set to Read Memory Array mode. When erase is suspended, a Read from blocks being erased will output DQ2 toggling and DQ6 at '1'. A Read from a block not being erased returns valid data. During suspension the memory will respond only to the Erase Resume ER and the Program PG instructions. A Program operation can be initiated during erase suspend in one of the blocks not being erased. It will result in DQ6 toggling when the data is being programmed.

**Erase Resume (ER) Instruction.** If an Erase Suspend instruction was previously executed, the erase operation may be resumed by giving the command 30h, at an address within the bank being erased and without any Coded Cycle.

**M59DR032A, M59DR032B**

**Table 14A. Instructions (1,2)**

Mne.	Instr.	Cyc.		1st Cyc.	2nd Cyc.	3rd Cyc.	4th Cyc.	5th Cyc.	6th Cyc.
RD (4)	Read/Reset Memory Array	1+	Addr. (3)	X	Read Memory Array until a new write cycle is initiated.				
			Data	F0h					
		3+	Addr.	555h	2AAh	555h	Read Memory Array until a new write cycle is initiated.		
			Data	AAh	55h	F0h			
RCFI	CFI Query	1+	Addr.	55h	Read CFI data until a new write cycle is initiated.				
			Data	98h					
AS (4)	Auto Select	3+	Addr.	555h	2AAh	555h	Read electronic Signature or Block Protection or Configuration Register Status until a new cycle is initiated.		
			Data	AAh	55h	90h			
CR	Configuration Register Write	4	Addr.	555h	2AAh	555h	Configuration Data		
			Data	AAh	55h	60h	03h		
PG	Program	4	Addr.	555h	2AAh	555h	Program Address	Read Data Polling or Toggle Bit until Program completes.	
			Data	AAh	55h	A0h	Program Data		
DPG	Double Word Program	5	Addr.	555h	2AAh	555h	Program Address 1	Program Address 2	Note 6, 7
			Data	AAh	55h	40h	Program Data 1	Program Data 2	
EBY	Enter Bypass Mode	3	Addr.	555h	2AAh	555h			
			Data	AAh	55h	20h			
XBY	Exit Bypass Mode	2	Addr.	X	X				
			Data	90h	00h				
PGBY	Program in Bypass Mode	2	Addr.	X	Program Address	Read Data Polling or Toggle Bit until Program completes.			
			Data	A0h	Program Data				
DPGBY	Double Word Program in Bypass Mode	3	Addr.	X	Program Address 1	Program Address 2	Note 6, 7		
			Data	40h	Program Data 1	Program Data 2			
BP	Block Protect	4	Addr.	555h	2AAh	555h	Block Address		
			Data	AAh	55h	60h	01h		
BU	Block Unprotect	1	Addr.	555h	2AAh	555h	Block Address		
			Data	AAh	55h	60h	D0h		



**Table 14B. Instructions (1,2)**

Mne.	Instr.	Cyc.		1st Cyc.	2nd Cyc.	3rd Cyc.	4th Cyc.	5th Cyc.	6th Cyc.
BL	Block Lock	4	<b>Addr.</b>	555h	2AAh	555h	Block Address		
			<b>Data</b>	AAh	55h	60h	2Fh		
BE	Block Erase	6+	<b>Addr.</b>	555h	2AAh	555h	555h	2AAh	Block Address
			<b>Data</b>	AAh	55h	80h	AAh	55h	30h
BKE	Bank Erase	6	<b>Addr.</b>	555h	2AAh	555h	555h	2AAh	Bank Address
			<b>Data</b>	AAh	55h	80h	AAh	55h	10h
ES	Erase Suspend	1	<b>Addr. (3)</b>	X	Read until Toggle stops, then read all the data needed from any Blocks not being erased then Resume Erase.				
			<b>Data</b>	B0h					
ER	Erase Resume	1	<b>Addr.</b>	Bank Address	Read Data Polling or Toggle Bits until Erase completes or Erase is suspended another time				
			<b>Data</b>	30h					

- Note: 1. Commands not interpreted in this table will default to read array mode.  
 2. For Coded cycles address inputs A11-A20 are don't care.  
 3. X = Don't Care.  
 4. The first cycles of the RD or AS instructions are followed by read operations. Any number of read cycles can occur after the command cycles.  
 5. During Erase Suspend, Read and Data Program functions are allowed in blocks not being erased.  
 6. Program Address 1 and Program Address 2 must be consecutive addresses differing only for address bit A0.  
 7. High voltage on V<sub>PP</sub> (11.4V to 12.6V) is required for the proper execution of the Double Word Program instruction.

**Table 15. Query Structure Overview**

Offset	Sub-section Name	Description
00h	Reserved	Reserved for algorithm-specific information
10h	CFI Query Identification String	Command set ID and algorithm data offset
1Bh	System Interface Information	Device timing & voltage information
27h	Device Geometry Definition	Flash device layout
P	Primary Algorithm-specific Extended Query table	Additional information specific to the Primary Algorithm (optional)
A	Alternate Algorithm-specific Extended Query table	Additional information specific to the Alternate Algorithm (optional)

Note: The Flash memory display the CFI data structure when CFI Query command is issued. In this table are listed the main sub-sections detailed in Tables 16, 17 and 18. Query data are always presented on the lowest order data outputs.

**Table 16. CFI Query Identification String**

Offset	Data	Description
00h	0020h	Manufacturer Code
01h	00A1h - bottom 00A0h - top	Device Code
02h-0Fh	reserved	Reserved
10h	0051h	Query Unique ASCII String "QRY"
11h	0052h	Query Unique ASCII String "QRY"
12h	0059h	Query Unique ASCII String "QRY"
13h	0002h	Primary Algorithm Command Set and Control Interface ID code 16 bit ID code defining a specific algorithm
14h	0000h	
15h	offset = P = 0040h	Address for Primary Algorithm extended Query table
16h	0000h	
17h	0000h	Alternate Vendor Command Set and Control Interface ID Code second vendor - specified algorithm supported (note: 0000h means none exists)
18h	0000h	
19h	value = A = 0000h	Address for Alternate Algorithm extended Query table note: 0000h means none exists
1Ah	0000h	

Note: Query data are always presented on the lowest - order data outputs (DQ7-DQ0) only. DQ8-DQ15 are '0'.

Table 17. CFI Query System Interface Information

Offset	Data	Description
1Bh	0017h	V <sub>DD</sub> Logic Supply Minimum Program/Erase or Write voltage bit 7 to 4 BCD value in volts bit 3 to 0 BCD value in 100 millivolts
1Ch	0022h	V <sub>DD</sub> Logic Supply Maximum Program/Erase or Write voltage bit 7 to 4 BCD value in volts bit 3 to 0 BCD value in 100 millivolts
1Dh	0000h	V <sub>PP</sub> [Programming] Supply Minimum Program/Erase voltage bit 7 to 4 HEX value in volts bit 3 to 0 BCD value in 100 millivolts Note: This value must be 0000h if no V <sub>PP</sub> pin is present
1Eh	00C0h	V <sub>PP</sub> [Programming] Supply Maximum Program/Erase voltage bit 7 to 4 HEX value in volts bit 3 to 0 BCD value in 100 millivolts Note: This value must be 0000h if no V <sub>PP</sub> pin is present
1Fh	0004h	Typical timeout per single byte/word program (multi-byte program count = 1), 2 <sup>n</sup> μs (if supported; 0000h = not supported)
20h	0000h	Typical timeout for maximum-size multi-byte program or page write, 2 <sup>n</sup> μs (if supported; 0000h = not supported)
21h	000Ah	Typical timeout per individual block erase, 2 <sup>n</sup> ms (if supported; 0000h = not supported)
22h	0000h	Typical timeout for full chip erase, 2 <sup>n</sup> ms (if supported; 0000h = not supported)
23h	0004h	Maximum timeout for byte/word program, 2 <sup>n</sup> times typical (offset 1Fh) (0000h = not supported)
24h	0000h	Maximum timeout for multi-byte program or page write, 2 <sup>n</sup> times typical (offset 20h) (0000h = not supported)
25h	0004h	Maximum timeout per individual block erase, 2 <sup>n</sup> times typical (offset 21h) (0000h = not supported)
26h	0000h	Maximum timeout for chip erase, 2 <sup>n</sup> times typical (offset 22h) (0000h = not supported)

## M59DR032A, M59DR032B

**Table 18. Device Geometry Definition**

Offset Word Mode	Data	Description
27h	0016h	Device Size = $2^n$ in number of bytes
28h 29h	0001h 0000h	Flash Device Interface Code description: Asynchronous x16
2Ah 2Bh	0000h 0000h	Maximum number of bytes in multi-byte program or page = $2^n$
2Ch	0002h	Number of Erase Block Regions within device bit 7 to 0 = x = number of Erase Block Regions  Note: 1. x = 0 means no erase blocking, i.e. the device erases at once in "bulk." 2. x specifies the number of regions within the device containing one or more contiguous Erase Blocks of the same size. For example, a 128KB device (1Mb) having blocking of 16KB, 8KB, four 2KB, two 16KB, and one 64KB is considered to have 5 Erase Block Regions. Even though two regions both contain 16KB blocks, the fact that they are not contiguous means they are separate Erase Block Regions. 3. By definition, symmetrically block devices have only one blocking region.
M59DR032A	M59DR032A	Erase Block Region Information
2Dh	003Eh	bit 31 to 16 = z, where the Erase Block(s) within this Region are (z) times 256 bytes in size. The value z = 0 is used for 128 byte block size. e.g. for 64KB block size, z = 0100h = 256 => 256 * 256 = 64K  bit 15 to 0 = y, where y+1 = Number of Erase Blocks of identical size within the Erase Block Region: e.g. y = D15-D0 = FFFFh => y+1 = 64K blocks [maximum number] y = 0 means no blocking (# blocks = y+1 = "1 block") Note: y = 0 value must be used with number of block regions of one as indicated by (x) = 0
2Eh	0000h	
2Fh	0000h	
30h	0001h	
31h	0007h	
32h	0000h	
33h	0020h	
34h	0000h	
M59DR032B	M59DR032B	
2Dh	0007h	
2Eh	0000h	
2Fh	0020h	
30h	0000h	
31h	003Eh	
32h	0000h	
33h	0000h	
34h	0001h	



Table 19. Status Register Bits <sup>(1)</sup>

DQ	Name	Logic Level	Definition	Note
7	Data Polling	'1'	Erase Complete or erase block in Erase Suspend.	Indicates the P/E.C. status, check during Program or Erase, and on completion before checking bits DQ5 for Program or Erase Success.
		'0'	Erase On-going	
		DQ	Program Complete or data of non erase block during Erase Suspend.	
		$\overline{DQ}$	Program On-going <sup>(2)</sup>	
6	Toggle Bit	'-1-0-1-0-1-0-1-'	Erase or Program On-going	Successive reads output complementary data on DQ6 while Programming or Erase operations are on-going. DQ6 remains at constant level when P/E.C. operations are completed or Erase Suspend is acknowledged.
		DQ	Program Complete	
		'-1-1-1-1-1-1-1-'	Erase Complete or Erase Suspend on currently addressed block	
5	Error Bit	'1'	Program or Erase Error	This bit is set to '1' in the case of Programming or Erase failure.
		'0'	Program or Erase On-going	
4	Reserved			
3	Erase Time Bit	'1'	Erase Timeout Period Expired	P/E.C. Erase operation has started. Only possible command entry is Erase Suspend (ES)
		'0'	Erase Timeout Period On-going	An additional block to be erased in parallel can be entered to the P/E.C:
2	Toggle Bit	'-1-0-1-0-1-0-1-'	Erase Suspend read in the Erase Suspended Block. Erase Error due to the currently addressed block (when DQ5 = '1').	Indicates the erase status and allows to identify the erased block.
		1	Program on-going or Erase Complete.	
		DQ	Erase Suspend read on non Erase Suspend block.	
1	Reserved			
0	Reserved			

Note: 1. Logic level '1' is High, '0' is Low. -0-1-0-0-1-1-1-0- represent bit value in successive Read operations.

2. In case of double word program  $\overline{DQ7}$  refers to the last word input.

Table 20. Polling and Toggle Bits

Mode	DQ7	DQ6	DQ2
Program	$\overline{\text{DQ7}}$	Toggle	1
Erase	0	Toggle	N/A
Erase Suspend Read (in Erase Suspend block)	1	1	Toggle
Erase Suspend Read (outside Erase Suspend block)	DQ7	DQ6	DQ2
Erase Suspend Program	$\overline{\text{DQ7}}$	Toggle	1

### STATUS REGISTER BITS

P/E.C. status is indicated during execution by Data Polling on DQ7, detection of Toggle on DQ6 and DQ2, or Error on DQ5 bits. Any read attempt within the Bank being modified and during Program or Erase command execution will automatically output these five Status Register bits. The P/E.C. automatically sets bits DQ2, DQ5, DQ6 and DQ7. Other bits (DQ0, DQ1 and DQ4) are reserved for future use and should be masked (see Tables 19 and 20). Read attempts within the bank not being modified will output array data.

**Data Polling Bit (DQ7).** When Programming operations are in progress, this bit outputs the complement of the bit being programmed on DQ7. In case of a double word program operation, the complement is done on DQ7 of the last word written to the command interface, i.e. the data written in the fifth cycle. During Erase operation, it outputs a '0'. After completion of the operation, DQ7 will output the bit last programmed or a '1' after erasing. Data Polling is valid and only effective during P/E.C. operation, that is after the fourth  $\overline{W}$  pulse for programming or after the sixth  $\overline{W}$  pulse for erase. It must be performed at the address being programmed or at an address within the block being erased. See Figure 12 for the Data Polling flowchart and Figure 10 for the Data Polling waveforms. DQ7 will also flag the Erase Suspend mode by switching from '0' to '1' at the start of the Erase Suspend. In order to monitor DQ7 in the Erase Suspend mode an address within a block being erased must be provided. For a Read Operation in

Suspend mode, DQ7 will output '1' if the read is attempted on a block being erased and the data value on other blocks. During Program operation in Erase Suspend Mode, DQ7 will have the same behaviour as in the normal program execution outside of the suspend mode.

**Toggle Bit (DQ6).** When Programming or Erasing operations are in progress, successive attempts to read DQ6 will output complementary data. DQ6 will toggle following toggling of either  $\overline{G}$ , or  $\overline{E}$  when  $\overline{G}$  is at  $V_{IL}$ . The operation is completed when two successive reads yield the same output data. The next read will output the bit last programmed or a '1' after erasing. The toggle bit DQ6 is valid only during P/E.C. operations, that is after the fourth  $\overline{W}$  pulse for programming or after the sixth  $\overline{W}$  pulse for Erase. DQ6 will be set to '1' if a Read operation is attempted on an Erase Suspend block. When erase is suspended DQ6 will toggle during programming operations in a block different from the block in Erase Suspend. Either  $\overline{E}$  or  $\overline{G}$  toggling will cause DQ6 to toggle. See Figure 13 for Toggle Bit flowchart and Figure 11 for Toggle Bit waveforms.

**Toggle Bit (DQ2).** This toggle bit, together with DQ6, can be used to determine the device status during the Erase operations. During Erase Suspend a read from a block being erased will cause DQ2 to toggle. A read from a block not being erased will output data. DQ2 will be set to '1' during program operation and to '0' in Erase operation. After erase completion and if the error bit DQ5 is set to '1', DQ2 will toggle if the faulty block is addressed.

**Error Bit (DQ5).** This bit is set to '1' by the P/E.C. when there is a failure of programming or block erase, that results in invalid data in the memory block. In case of an error in block erase or program, the block in which the error occurred or to which the programmed data belongs, must be discarded. Other Blocks may still be used. The error bit resets after a Read/Reset (RD) instruction. In case of success of Program or Erase, the error bit will be set to '0'.

**Erase Timer Bit (DQ3).** This bit is set to '0' by the P/E.C. when the last block Erase command has been entered to the Command Interface and it is awaiting the Erase start. When the erase timeout period is finished, DQ3 returns to '1', in the range of 80 $\mu$ s to 120 $\mu$ s.

**Table 21. Program, Erase Times and Program, Erase Endurance Cycles**  
 ( $T_A = 0$  to  $70^\circ\text{C}$ ;  $V_{DD} = V_{DDQ} = 1.65\text{V}$  to  $2.2\text{V}$ ,  $V_{PP} = V_{DD}$  unless otherwise specified)

Parameter	M59DR032				Unit
	Min	Max <sup>(1)</sup>	Typ	Typical after 100k W/E Cycles	
Parameter Block (4 KWord) Erase (Preprogrammed)		2.5	0.15	0.4	sec
Main Block (32 KWord) Erase (Preprogrammed)		10	1	3	sec
Bank Erase (Preprogrammed, Bank A)			2	6	sec
Bank Erase (Preprogrammed, Bank B)			10	30	sec
Chip Program <sup>(2)</sup>			20	25	sec
Chip Program (DPG, $V_{PP} = 12\text{V}$ ) <sup>(2)</sup>			10		sec
Word Program		200	10	10	$\mu\text{s}$
Program/Erase Cycles (per Block)	100,000				cycles

Note: 1. Max values refer to the maximum time allowed by the internal algorithm before error bit is set. Worst case conditions program or erase should perform significantly better.

2. Excludes the time needed to execute the sequence for program instruction.

## POWER SUPPLY

### Power Down

The memory provides Reset/Power Down control input  $\overline{\text{RP}}$ . The Power Down function can be activated only if the relevant Configuration Register bit is set to '1'. In this case, when the  $\overline{\text{RP}}$  signal is pulled at  $V_{SS}$  the supply current drops to typically  $I_{CC2}$  (see Table 22), the memory is deselected and the outputs are in high impedance. If  $\overline{\text{RP}}$  is pulled to  $V_{SS}$  during a Program or Erase operation, this operation is aborted in  $t_{PLQ7V}$  and the memory content is no longer valid (see Reset/Power Down input description).

### Power Up

The memory Command Interface is reset on Power Up to Read Array. Either  $\overline{\text{E}}$  or  $\overline{\text{W}}$  must be tied to  $V_{IH}$  during Power Up to allow maximum security and the possibility to write a command on the first rising edge of  $\overline{\text{W}}$ .

### Supply Rails

Normal precautions must be taken for supply voltage decoupling; each device in a system should have the  $V_{DD}$  rails decoupled with a  $0.1\mu\text{F}$  capacitor close to the  $V_{DD}$ ,  $V_{DDQ}$  and  $V_{SS}$  pins. The PCB trace widths should be sufficient to carry the required  $V_{DD}$  program and erase currents.

**Table 22. DC Characteristics**

 (TA = 0 to 70°C or –40 to 85°C; V<sub>DD</sub> = V<sub>DDQ</sub> = 1.65V to 2.2V)

Symbol	Parameter	Test Condition	Min	Typ	Max	Unit
I <sub>LI</sub>	Input Leakage Current	0V ≤ V <sub>IN</sub> ≤ V <sub>DD</sub>			±1	μA
I <sub>LO</sub>	Output Leakage Current	0V ≤ V <sub>OUT</sub> ≤ V <sub>DD</sub>			±5	μA
I <sub>CC1</sub>	Supply Current (Read Mode)	$\bar{E} = V_{IL}, \bar{G} = V_{IH}, f = 6\text{MHz}$		10	20	mA
I <sub>CC2</sub>	Supply Current (Power Down)	$\overline{RP} = V_{SS} \pm 0.2\text{V}$		2	10	μA
I <sub>CC3</sub>	Supply Current (Standby)	$\bar{E} = V_{DD} \pm 0.2\text{V}$		15	50	μA
I <sub>CC4</sub> (1)	Supply Current (Program or Erase)	Word Program, Block Erase in progress		10	20	mA
I <sub>CC5</sub> (1)	Supply Current (Dual Bank)	Program/Erase in progress in one Bank, Read in the other Bank		20	40	mA
I <sub>PP1</sub>	V <sub>PP</sub> Supply Current (Program or Erase)	V <sub>PP</sub> = 12V ± 0.6V		5	10	mA
I <sub>PP2</sub>	V <sub>PP</sub> Supply Current (Standby or Read)	V <sub>PP</sub> ≤ V <sub>CC</sub>		0.2	5	μA
		V <sub>PP</sub> = 12V ± 0.6V		100	400	μA
V <sub>IL</sub>	Input Low Voltage		–0.5		0.4	V
V <sub>IH</sub>	Input High Voltage		V <sub>DDQ</sub> – 0.4		V <sub>DDQ</sub> + 0.4	V
V <sub>OL</sub>	Output Low Voltage	I <sub>OL</sub> = 100μA			0.1	V
V <sub>OH</sub>	Output High Voltage CMOS	I <sub>OH</sub> = –100μA	V <sub>DDQ</sub> – 0.1			V
V <sub>PP</sub> (2,3)	V <sub>PP</sub> Supply Voltage (Program or Erase)		–0.4		V <sub>DD</sub> + 0.4	V
		Double Word Program	11.4		12.6	V

Note: 1. Sampled only, not 100% tested.

 2. V<sub>PP</sub> may be connected to 12V power supply for a total of less than 100 hrs.

 3. For standard program/erase operation V<sub>PP</sub> is don't care.

**Table 23. Capacitance (1)**  
( $T_A = 25\text{ }^\circ\text{C}$ ,  $f = 1\text{ MHz}$ )

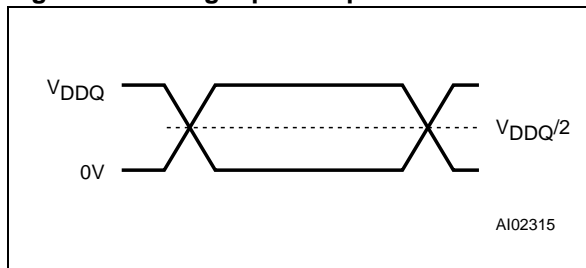
Symbol	Parameter	Test Condition	Min	Max	Unit
$C_{IN}$	Input Capacitance	$V_{IN} = 0V$		6	pF
$C_{OUT}$	Output Capacitance	$V_{OUT} = 0V$		12	pF

Note: 1. Sampled only, not 100% tested.

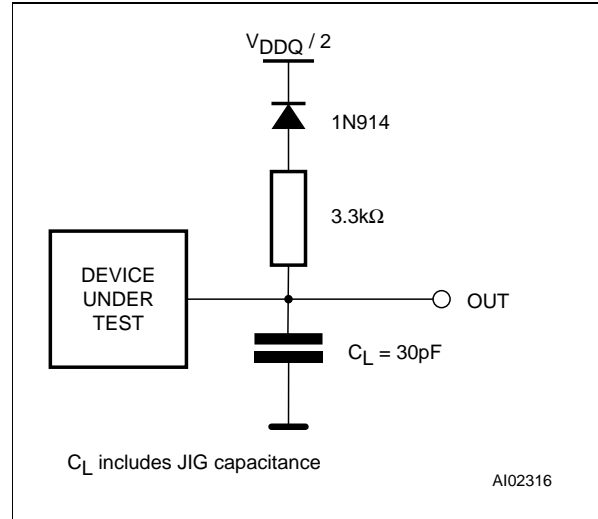
**Table 24. AC Measurement Conditions**

Input Rise and Fall Times	$\leq 4\text{ ns}$
Input Pulse Voltages	0 to $V_{DDQ}$
Input and Output Timing Ref. Voltages	$V_{DDQ}/2$

**Figure 3. Testing Input/Output Waveforms**



**Figure 4. AC Testing Load Circuit**



## M59DR032A, M59DR032B

**Table 25. Read AC Characteristics**

(TA = 0 to 70°C or -40 to 85°C; V<sub>DD</sub> = V<sub>DDQ</sub> = 1.65V to 2.2V)

Symbol	Alt	Parameter	Test Condition	M59DR032				Unit
				100		120		
				Min	Max	Min	Max	
t <sub>AVAV</sub>	t <sub>RC</sub>	Address Valid to Next Address Valid	$\bar{E} = V_{IL}, \bar{G} = V_{IL}$	100		120		ns
t <sub>AVQV</sub>	t <sub>ACC</sub>	Address Valid to Output Valid (Random)	$\bar{E} = V_{IL}, \bar{G} = V_{IL}$		100		120	ns
t <sub>AVQV1</sub>	t <sub>PAGE</sub>	Address Valid to Output Valid (Page)	$\bar{E} = V_{IL}, \bar{G} = V_{IL}$		35		45	ns
t <sub>ELQX</sub> <sup>(1)</sup>	t <sub>LZ</sub>	Chip Enable Low to Output Transition	$\bar{G} = V_{IL}$	0		0		ns
t <sub>ELQV</sub> <sup>(2)</sup>	t <sub>CE</sub>	Chip Enable Low to Output Valid	$\bar{G} = V_{IL}$		100		120	ns
t <sub>GLQX</sub> <sup>(1)</sup>	t <sub>OLZ</sub>	Output Enable Low to Output Transition	$\bar{E} = V_{IL}$	0		0		ns
t <sub>GLQV</sub> <sup>(2)</sup>	t <sub>OE</sub>	Output Enable Low to Output Valid	$\bar{E} = V_{IL}$		25		35	ns
t <sub>EHQX</sub>	t <sub>OH</sub>	Chip Enable High to Output Transition	$\bar{G} = V_{IL}$	0		0		ns
t <sub>EHQZ</sub> <sup>(1)</sup>	t <sub>HZ</sub>	Chip Enable High to Output Hi-Z	$\bar{G} = V_{IL}$		25		35	ns
t <sub>GHQX</sub>	t <sub>OH</sub>	Output Enable High to Output Transition	$\bar{E} = V_{IL}$	0		0		ns
t <sub>GHQZ</sub> <sup>(1)</sup>	t <sub>DF</sub>	Output Enable High to Output Hi-Z	$\bar{E} = V_{IL}$		25		35	ns
t <sub>AXQX</sub>	t <sub>OH</sub>	Address Transition to Output Transition	$\bar{E} = V_{IL}, \bar{G} = V_{IL}$	0		0		ns
t <sub>PHQ7V1</sub>		$\bar{RP}$ High to Data Valid (Read Mode)			150		150	ns
t <sub>PHQ7V2</sub>		$\bar{RP}$ High to Data Valid (Power Down enabled)			50		50	μs
t <sub>PLQ7V</sub>		$\bar{RP}$ Low to Reset Complete During Program/Erase					15	μs
t <sub>PLPH</sub>	t <sub>RP</sub>	$\bar{RP}$ Pulse Width		100		100		ns

Note: 1. Sampled only, not 100% tested.

2.  $\bar{G}$  may be delayed by up to t<sub>ELQV</sub> - t<sub>GLQV</sub> after the falling edge of  $\bar{E}$  without increasing t<sub>ELQV</sub>.

Figure 5. Random Read AC Waveforms

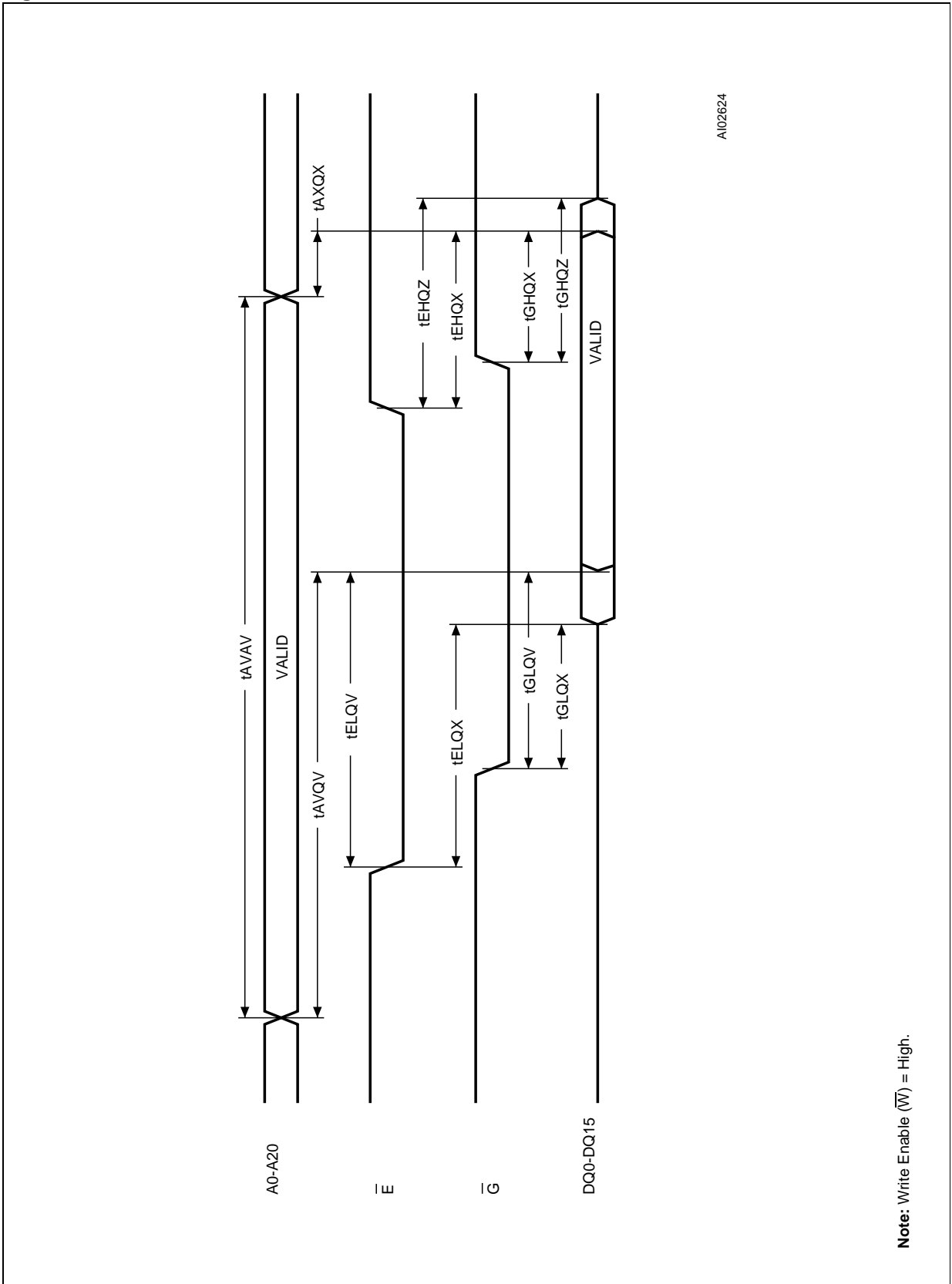
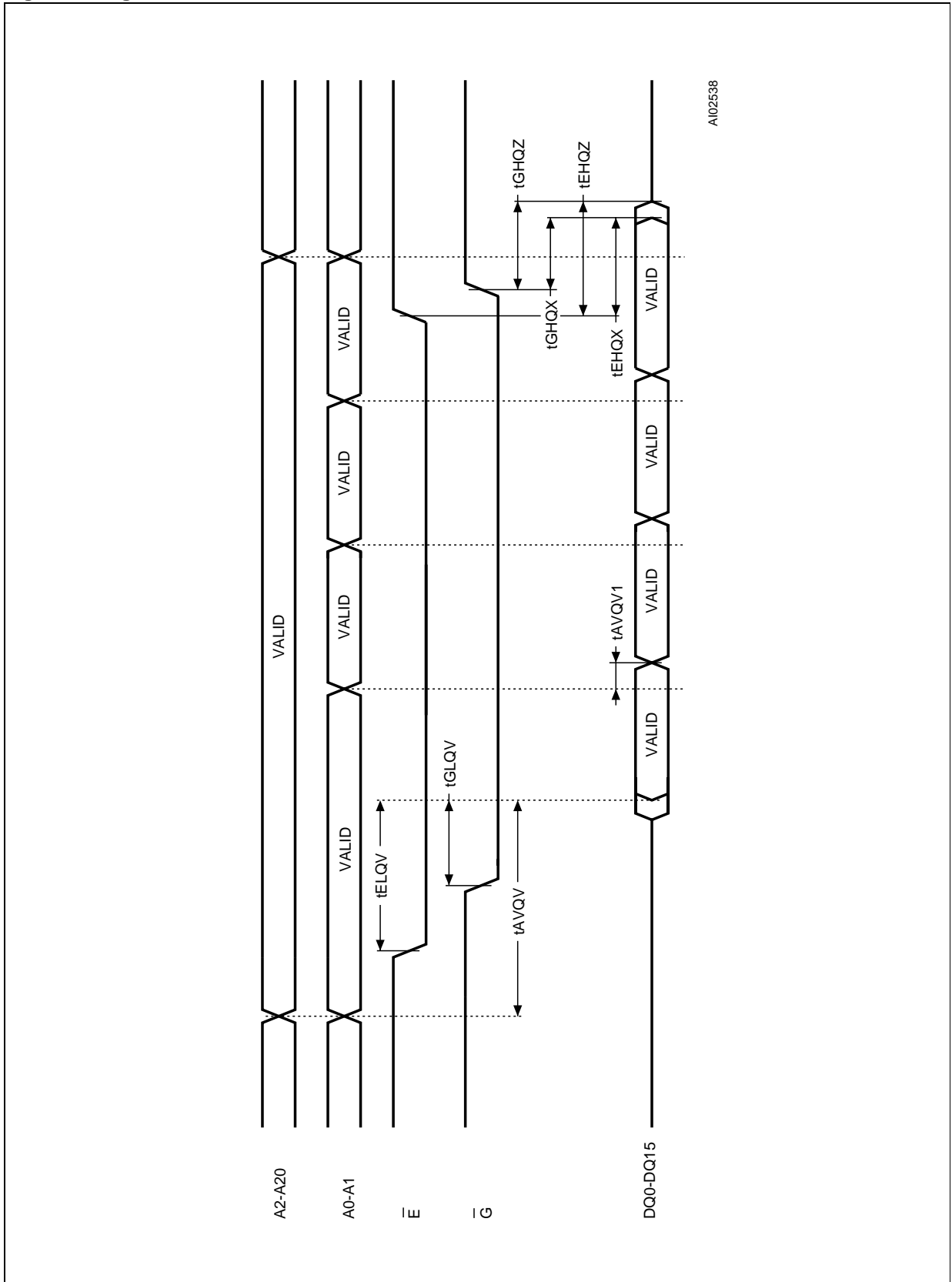


Figure 6. Page Read AC Waveforms





**Table 26. Write AC Characteristics, Write Enable Controlled**  
 ( $T_A = 0$  to  $70$  °C or  $-40$  to  $85$  °C;  $V_{DD} = V_{DDQ} = 1.65V$  to  $2.2V$ )

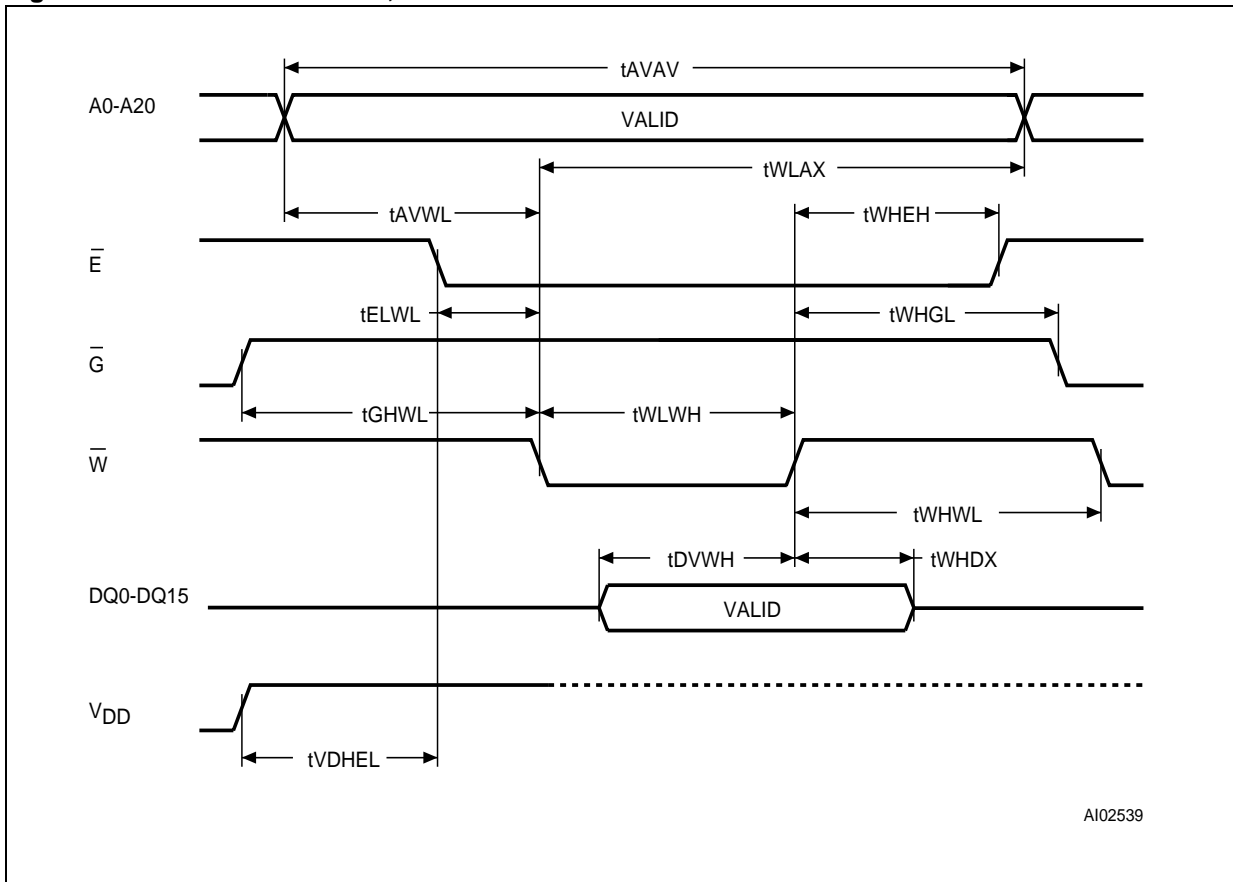
Symbol	Alt	Parameter	M59DR032				Unit
			100		120		
			Min	Max	Min	Max	
$t_{AVAV}$	$t_{WC}$	Address Valid to Next Address Valid	100		120		ns
$t_{ELWL}$	$t_{CS}$	Chip Enable Low to Write Enable Low	0		0		ns
$t_{WLWH}$	$t_{WP}$	Write Enable Low to Write Enable High	50		50		ns
$t_{DVWH}$	$t_{DS}$	Input Valid to Write Enable High	50		50		ns
$t_{WHDX}$	$t_{DH}$	Write Enable High to Input Transition	0		0		ns
$t_{WHEH}$	$t_{CH}$	Write Enable High to Chip Enable High	0		0		ns
$t_{WHWL}$	$t_{WPH}$	Write Enable High to Write Enable Low	30		30		ns
$t_{AVWL}$	$t_{AS}$	Address Valid to Write Enable Low	0		0		ns
$t_{WLAX}$	$t_{AH}$	Write Enable Low to Address Transition	50		50		ns
$t_{GHWL}$		Output Enable High to Write Enable Low	0		0		ns
$t_{VDHEL}$	$t_{VCS}$	$V_{DD}$ High to Chip Enable Low	50		50		$\mu s$
$t_{WHGL}$	$t_{OEHL}$	Write Enable High to Output Enable Low	30		30		ns
$t_{PLQ7V}$		$\overline{RP}$ Low to Reset Complete During Program/Erase		15		15	$\mu s$

## M59DR032A, M59DR032B

**Table 27. Write AC Characteristics, Chip Enable Controlled**  
 ( $T_A = 0$  to  $70$  °C or  $-40$  to  $85$  °C;  $V_{DD} = V_{DDQ} = 1.65V$  to  $2.2V$ )

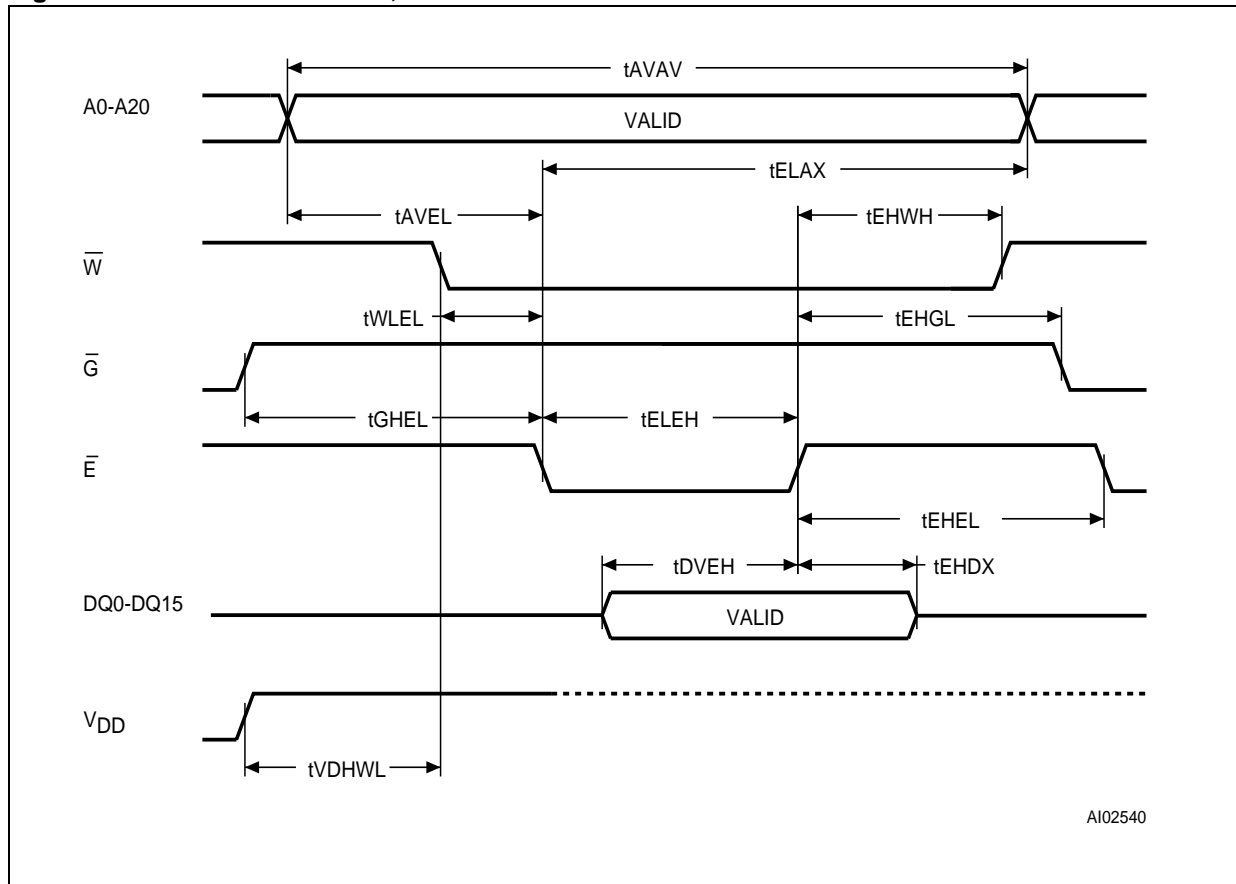
Symbol	Alt	Parameter	M59DR032				Unit
			100		120		
			Min	Max	Min	Max	
$t_{AVAV}$	$t_{WC}$	Address Valid to Next Address Valid	100		120		ns
$t_{WLEL}$	$t_{WS}$	Write Enable Low to Chip Enable Low	0		0		ns
$t_{ELEH}$	$t_{CP}$	Chip Enable Low to Chip Enable High	50		50		ns
$t_{DVEH}$	$t_{DS}$	Input Valid to Chip Enable High	50		50		ns
$t_{EHDX}$	$t_{DH}$	Chip Enable High to Input Transition	0		0		ns
$t_{EHWH}$	$t_{WH}$	Chip Enable High to Write Enable High	0		0		ns
$t_{EHEL}$	$t_{CPH}$	Chip Enable High to Chip Enable Low	30		30		ns
$t_{AVEL}$	$t_{AS}$	Address Valid to Chip Enable Low	0		0		ns
$t_{ELAX}$	$t_{AH}$	Chip Enable Low to Address Transition	50		50		ns
$t_{GHEL}$		Output Enable High Chip Enable Low	0		0		ns
$t_{VDHWL}$	$t_{VCS}$	$V_{DD}$ High to Write Enable Low	50		50		$\mu s$
$t_{EHGL}$	$t_{OEH}$	Chip Enable High to Output Enable Low	30		30		ns
$t_{PLQ7V}$		$\overline{RP}$ Low to Reset Complete During Program/Erase		15		15	$\mu s$

Figure 7. Write AC Waveforms,  $\overline{W}$  Controlled



Note: Address are latched on the falling edge of  $\overline{W}$ , Data is latched on the rising edge of  $\overline{W}$ .

Figure 8. Write AC Waveforms,  $\bar{E}$  Controlled



Note: Address are latched on the falling edge of  $\bar{E}$ , Data is latched on the rising edge of  $\bar{E}$ .

**Table 28. Data Polling and Toggle Bits AC Characteristics <sup>(1)</sup>**  
 (T<sub>A</sub> = 0 to 70 °C or -40 to 85 °C; V<sub>DD</sub> = V<sub>DDQ</sub> = 1.65V to 2.2V)

Symbol	Parameter	M59DR032		Unit
		Min	Max	
t <sub>WHQ7V</sub>	Write Enable High to DQ7 Valid (Program, $\overline{W}$ Controlled)	10	200	μs
	Write Enable High to DQ7 Valid (Block Erase, $\overline{W}$ Controlled)	1.0	10	sec
t <sub>EHQ7V</sub>	Chip Enable High to DQ7 Valid (Program, $\overline{E}$ Controlled)	10	200	μs
	Chip Enable High to DQ7 Valid (Block Erase, $\overline{E}$ Controlled)	1.0	10	sec
t <sub>Q7VQV</sub>	Q7 Valid to Output Valid (Data Polling)		0	ns
t <sub>WHQV</sub>	Write Enable High to Output Valid (Program)	10	200	μs
	Write Enable High to Output Valid (Block Erase)	1.0	10	sec
t <sub>EHQV</sub>	Chip Enable High to Output Valid (Program)	10	200	μs
	Chip Enable High to Output Valid (Block Erase)	1.0	10	sec

Note: 1. All other timings are defined in Read AC Characteristics table.

Figure 9. Read and Write AC Characteristics,  $\overline{RP}$  Related

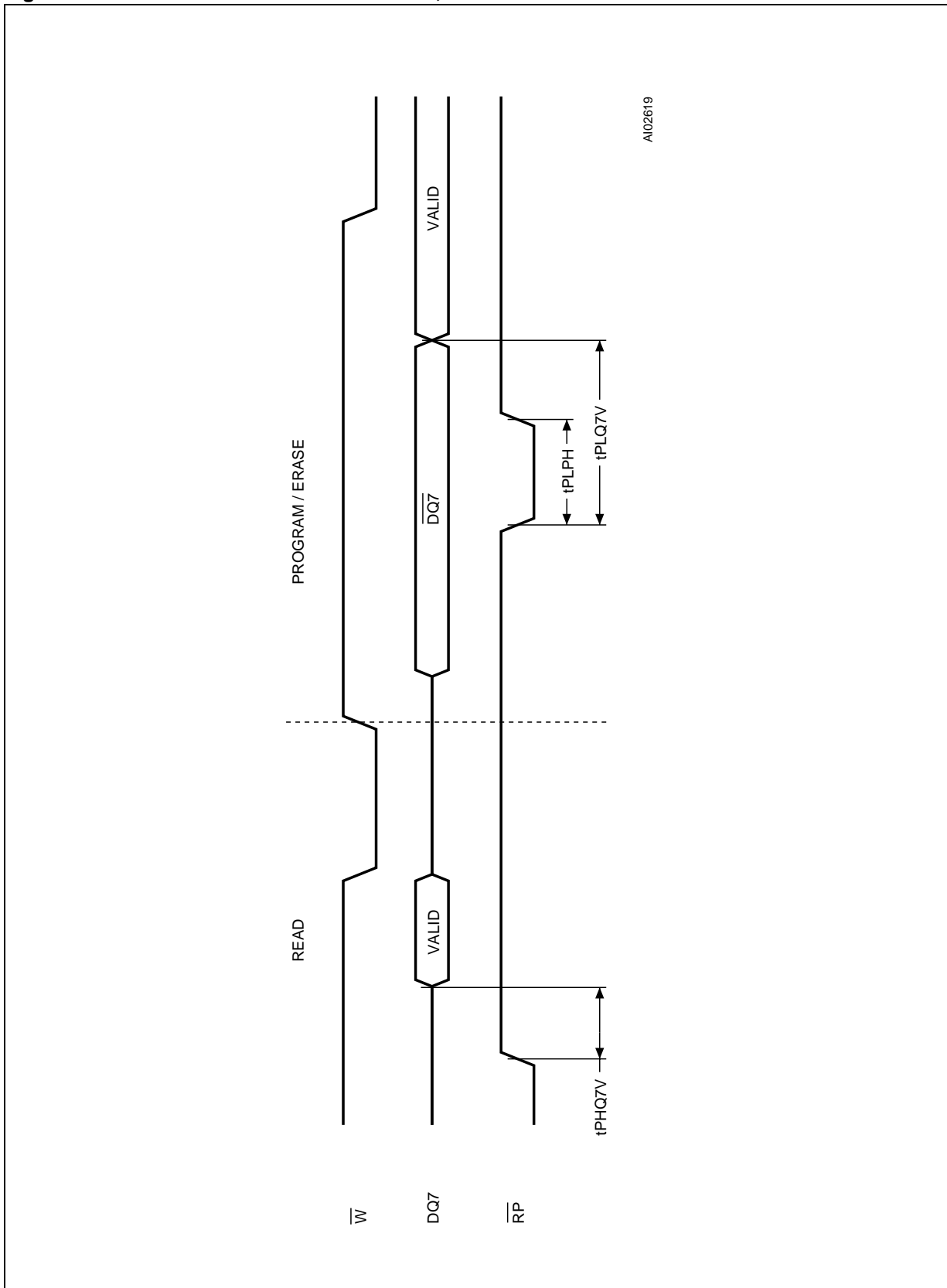


Figure 10. Data Polling DQ7 AC Waveforms

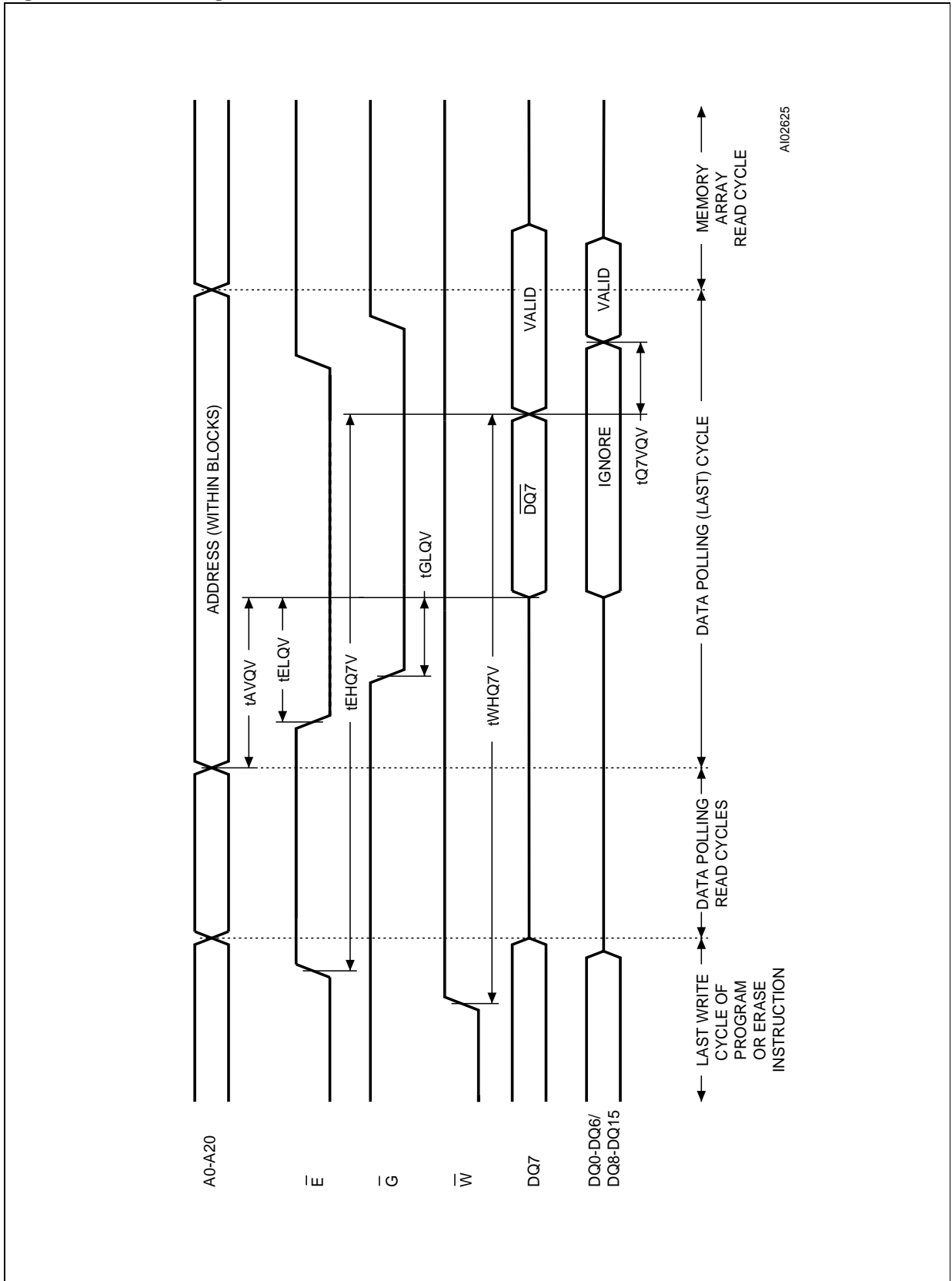
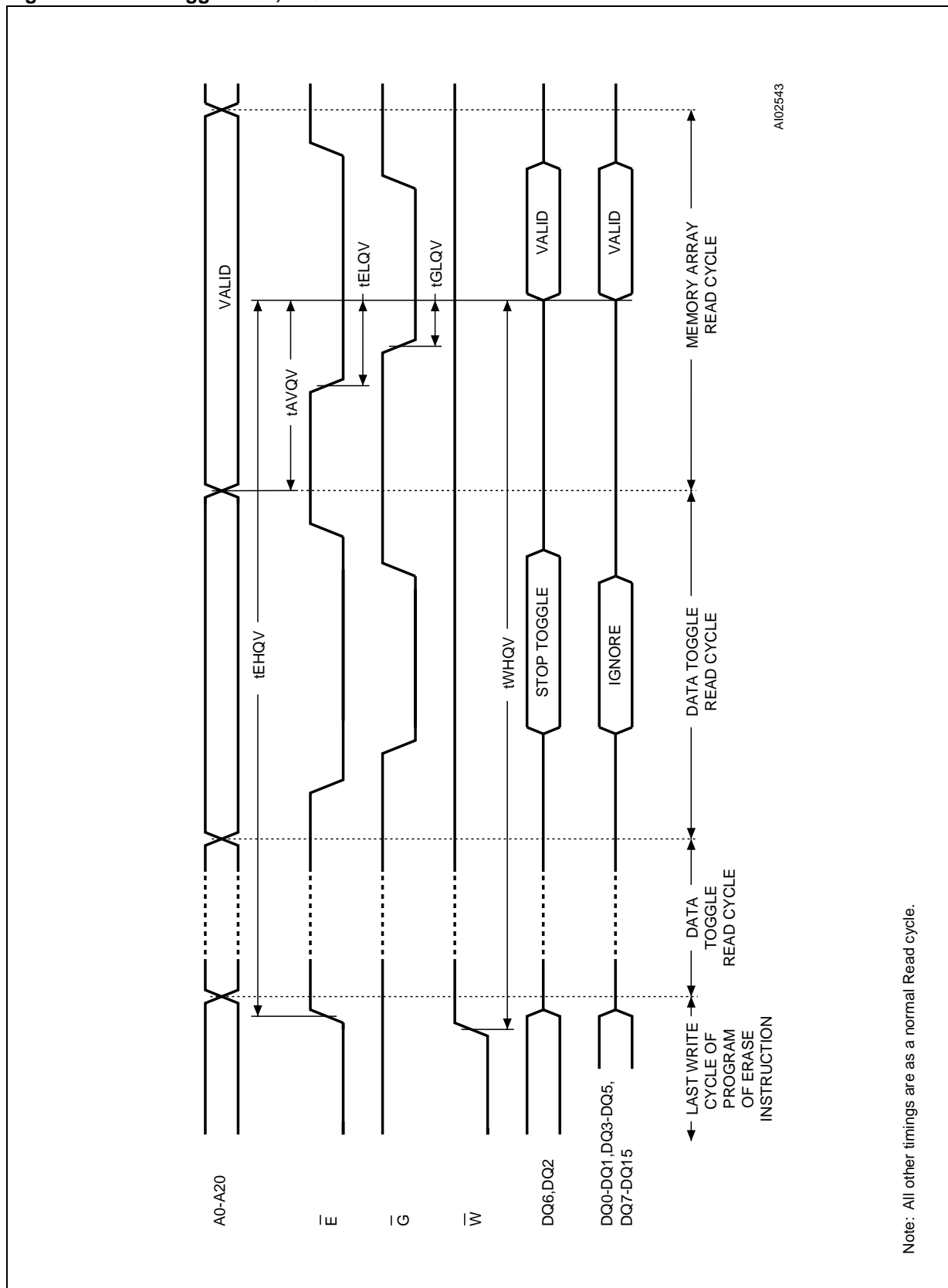


Figure 11. Data Toggle DQ6, DQ2 AC Waveforms



A102543





Figure 12. Data Polling Flowchart

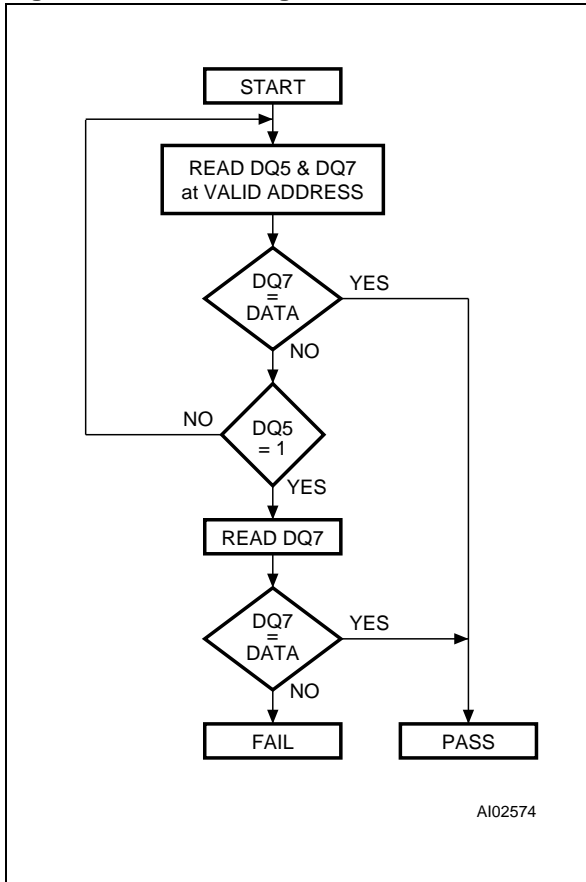
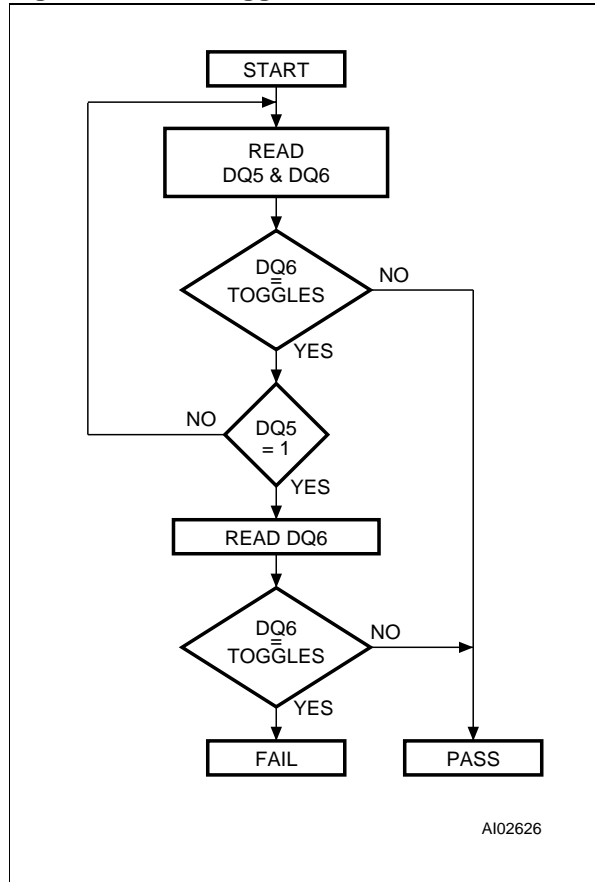
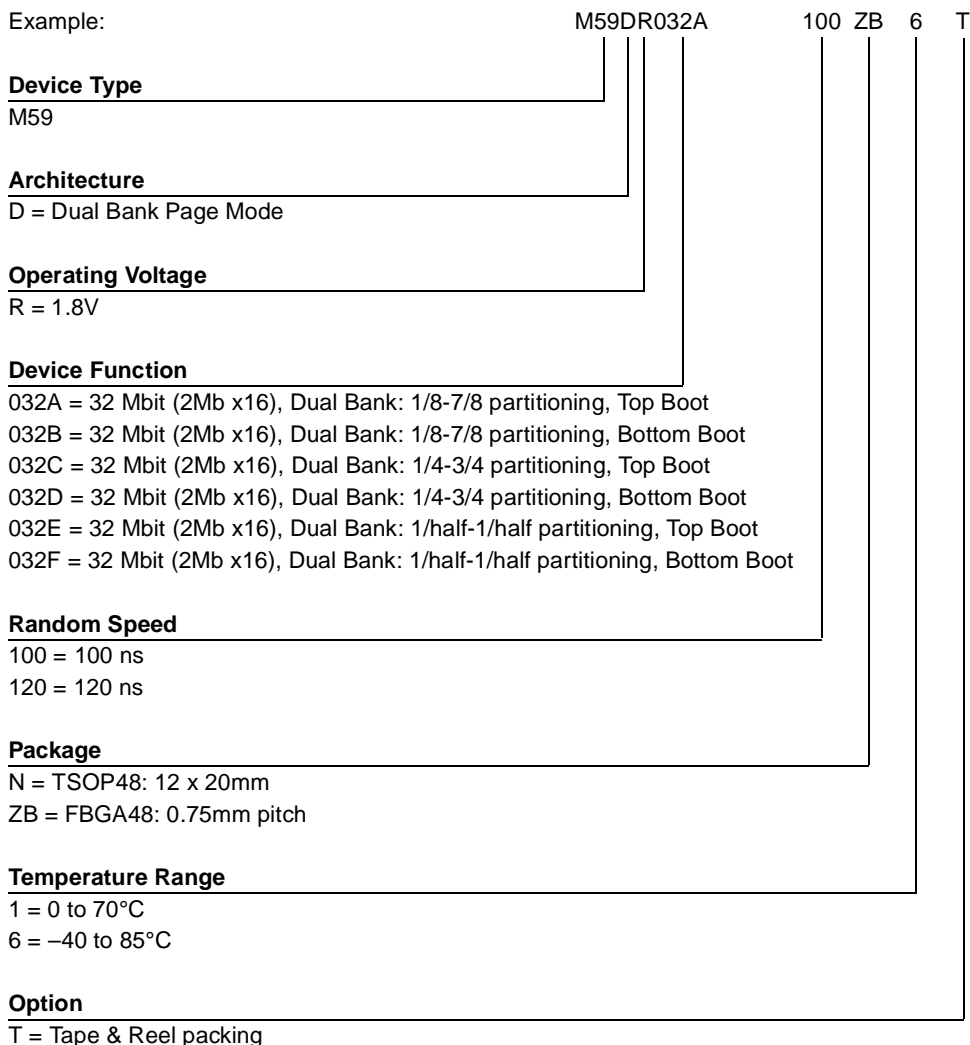


Figure 13. Data Toggle Flowchart



## M59DR032A, M59DR032B

**Table 29. Ordering Information Scheme**



Devices are shipped from the factory with the memory content erased (to FFFFh).

For a list of available options (Speed, Package, etc...) or for further information on any aspect of this device, please contact the STMicroelectronics Sales Office nearest to you.

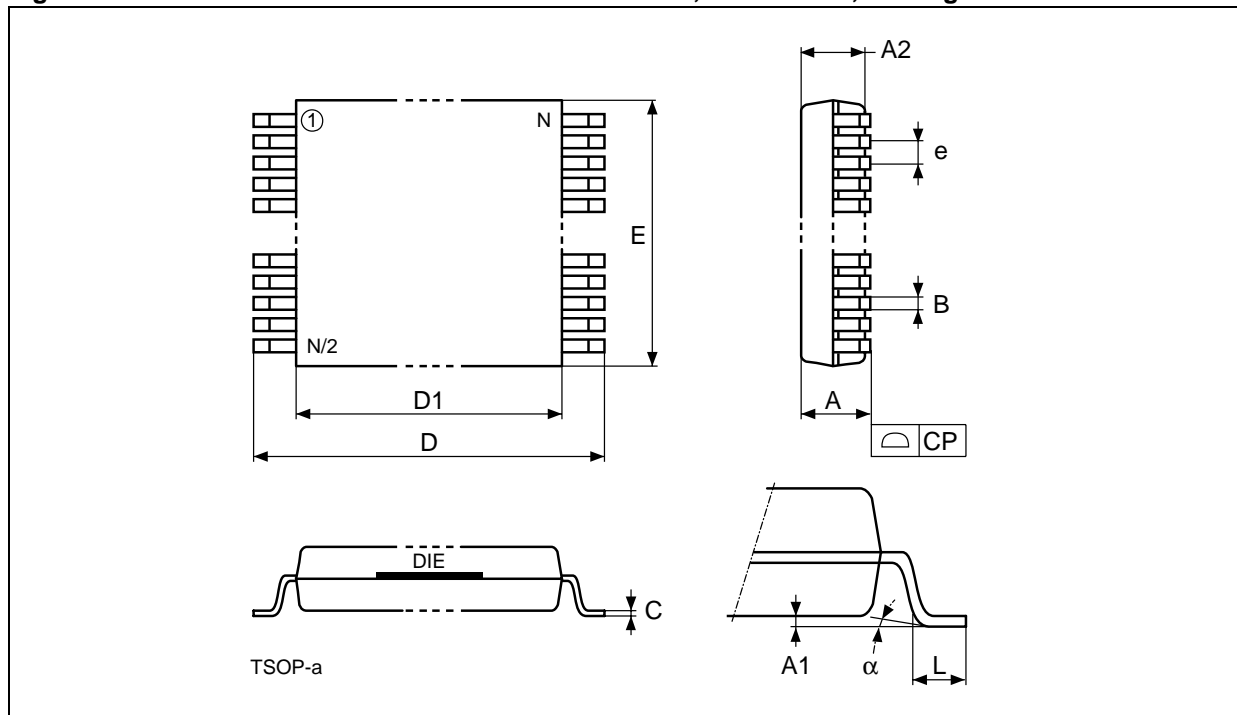
**Table 30. Revision History**

Date	Revision Details
May 1999	First Issue
09/03/99	FBGA Package Outline drawing change FBGA Connections change (Table 1, Figure 2A) t <sub>WHGL</sub> and t <sub>EHGL</sub> Specification change (Table 26, 27)
10/20/99	Daisy Chain diagrams, Package and PCB Connections, added (Figure 16, 17)

Table 31. TSOP48 - 48 lead Plastic Thin Small Outline, 12 x 20 mm, Package Mechanical Data

Symbol	mm			inches		
	Typ	Min	Max	Typ	Min	Max
A			1.20			0.047
A1		0.05	0.15		0.002	0.006
A2		0.95	1.05		0.037	0.041
B		0.17	0.27		0.007	0.011
C		0.10	0.21		0.004	0.008
D		19.80	20.20		0.780	0.795
D1		18.30	18.50		0.720	0.728
E		11.90	12.10		0.469	0.476
e	0.50	–	–	0.020	–	–
L		0.50	0.70		0.020	0.028
$\alpha$		0°	5°		0°	5°
N	48			48		
CP			0.10			0.004

Figure 14. TSOP48 - 48 lead Plastic Thin Small Outline, 12 x 20 mm, Package Outline



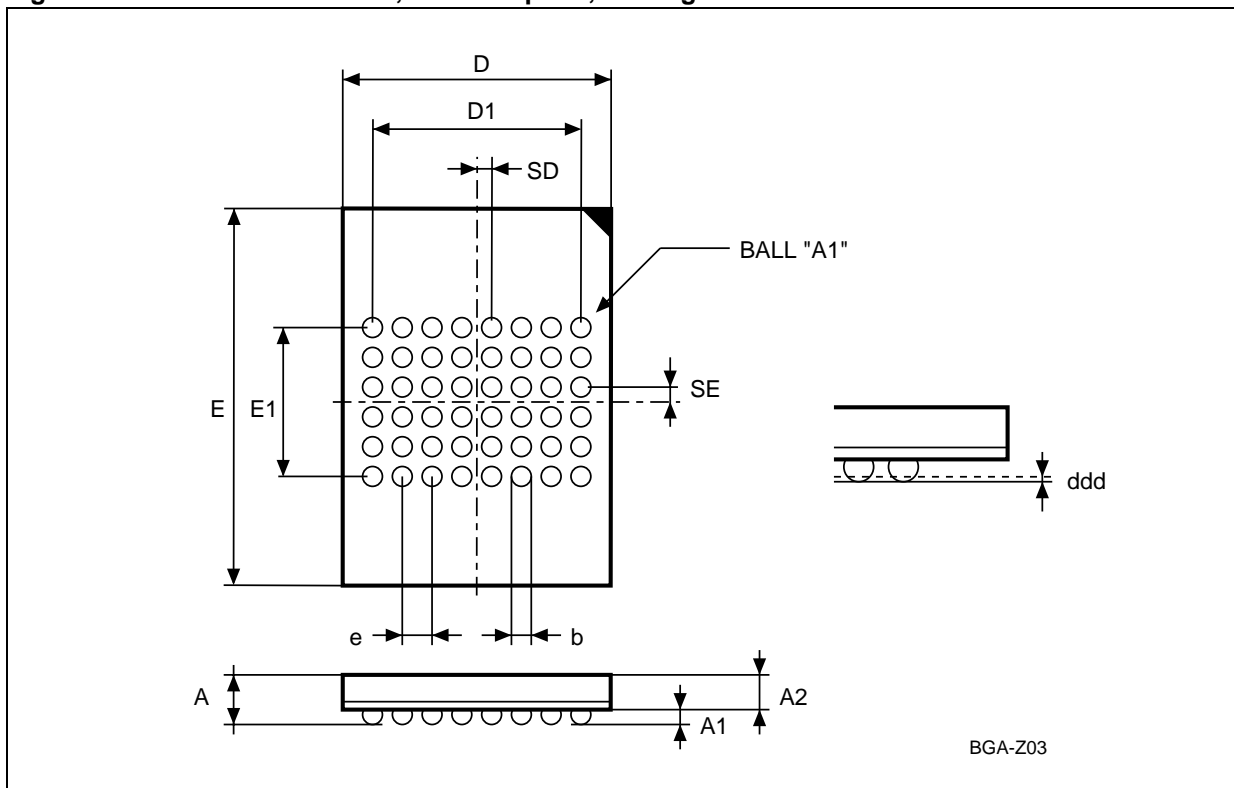
Drawing is not to scale.

**M59DR032A, M59DR032B**

**Table 32. FBGA48 - 8 x 6 balls, 0.75 mm pitch, Package Mechanical Data**

Symbol	mm			inches		
	Typ	Min	Max	Typ	Min	Max
A	1.250			0.492		
A1	0.300	0.250	0.350	0.012	0.010	0.014
A2	0.700			0.275		
b	0.450	0.400	0.550	0.018	0.016	0.022
ddd			0.075			0.003
D	7.000	6.800	7.200	0.276	0.268	0.283
D1	5.250	–	–	0.207	–	–
e	0.750	–	–	0.030	–	–
E	12.000	11.800	12.200	0.472	0.465	0.480
E1	3.750	–	–	0.148	–	–
SD	0.375	–	–	0.015	–	–
SE	0.375	–	–	0.015	–	–

**Figure 15. FBGA48 - 8 x 6 balls, 0.75 mm pitch, Package Outline**



Drawing is not to scale.

Figure 16. Daisy Chain - Package Connections (Top View)

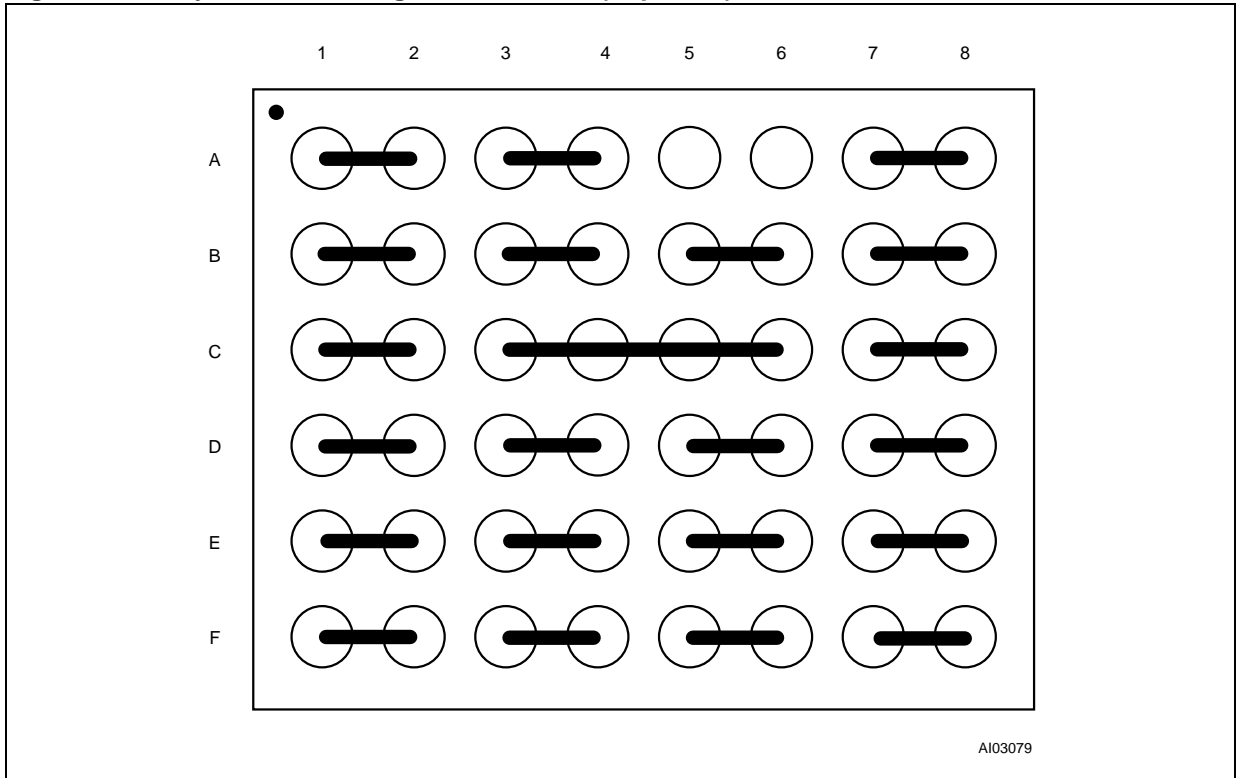
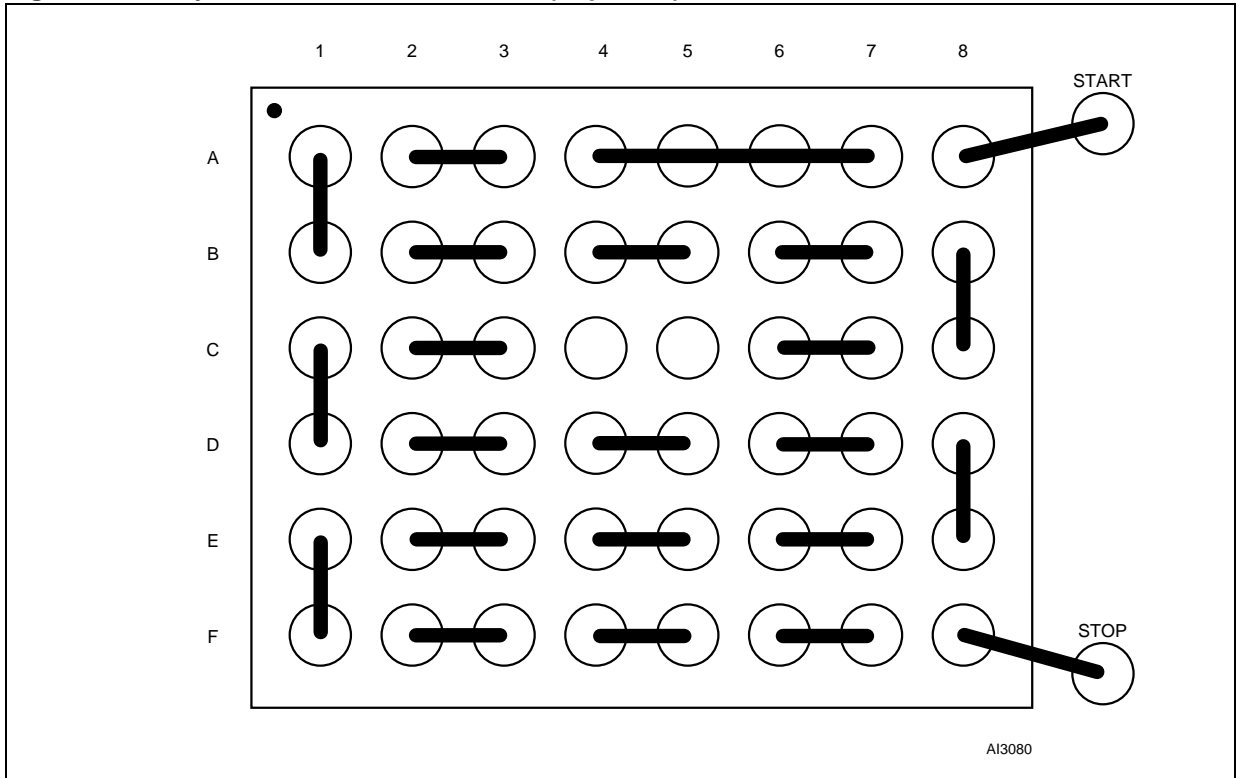


Figure 17. Daisy Chain - PCB Connections (Top View)



Information furnished is believed to be accurate and reliable. However, STMicroelectronics assumes no responsibility for the consequences of use of such information nor for any infringement of patents or other rights of third parties which may result from its use. No license is granted by implication or otherwise under any patent or patent rights of STMicroelectronics. Specifications mentioned in this publication are subject to change without notice. This publication supersedes and replaces all information previously supplied. STMicroelectronics products are not authorized for use as critical components in life support devices or systems without express written approval of STMicroelectronics.

The ST logo is registered trademark of STMicroelectronics  
© 1999 STMicroelectronics - All Rights Reserved

All other names are the property of their respective owners.

STMicroelectronics GROUP OF COMPANIES  
Australia - Brazil - China - Finland - France - Germany - Hong Kong - India - Italy - Japan - Malaysia - Malta - Morocco -  
Singapore - Spain - Sweden - Switzerland - United Kingdom - U.S.A.

<http://www.st.com>