

MITSUBISHI LSIs M5M29GB/T160BVP-80

**16,777,216-BIT (2097,152-WORD BY 8-BIT / 1048,576-WORD BY16-BIT)
CMOS 3.3V-ONLY, BLOCK ERASE FLASH MEMORY**

DESCRIPTION

The MITSUBISHI Mobile FLASH M5M29GB/T160BVP are 3.3V-only high speed 16,777,216-bit CMOS boot block Flash Memories with alternating BGO (Back Ground Operation) feature. The BGO feature of the device allows Program or Erase operations to be performed in one bank while the device simultaneously allows Read operations to be performed on the other bank. This BGO feature is suitable for mobile and personal computing, and communication products. The M5M29GB/T160BVP are fabricated by CMOS technology for the peripheral circuits and DINOR(Divided bit line NOR) architecture for the memory cells, and are available in in 48pin TSOP(I) .

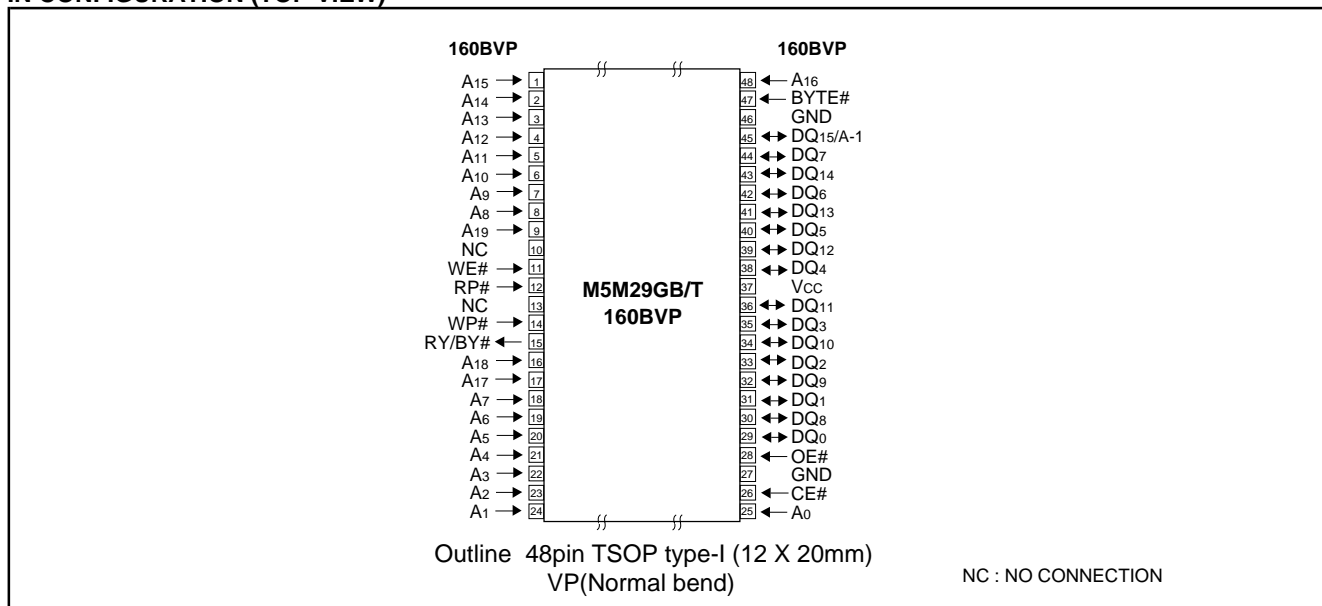
FEATURES

- Organization1048,576 word x 16bit
.....2,097,152 word x 8 bit
- Supply voltage Vcc = 2.7~3.6V
- Access time 80ns (Vcc=3.3V+/-0.3V)
..... 90ns (Vcc=2.7~3.6V)
- Power Dissipation
 - Read 54 mW (Max. at 5MHz)
 - (After Automatic Power saving) 0.33μW (typ.)
 - Program/Erase126 mW (Max.)
 - Standby 0.33μW (typ.)
 - Deep power down mode 0.33μW (typ.)
- Auto program for Bank(I)
 - Program Time 4ms (typ.)
 - Program Unit
 - (Byte Program)1word/1byte
 - (Page Program)128word/256byte
- Auto program for Bank(II)
 - Program Time 4ms (typ.)
 - Program Unit 128word/256byte
- Auto Erase
 - Erase time 40 ms (typ.)
 - Erase Unit
 - Bank(I) Boot Block 16Kword/32Kbyte x 1
 - Parameter Block 16Kword/32Kbyte x 7
 - Bank(II) Main Block 32Kword/64Kbyte x 28
- Program/Erase cycles100Kcycles
- Boot Block
 - M5M29GB160BVP Bottom Boot
 - M5M29GT160BVP Top Boot
- Other Functions
 - Soft Ware Command Control
 - Selective Block Lock
 - Erase Suspend/Resume
 - Program Suspend/Resume
 - Status Register Read
 - Alternating Back Ground Program/Erase Operation
Between Bank(I) and Bank(II)
- Package
 - 48-Lead, 12mm x 20mm TSOP (type-I)

APPLICATION

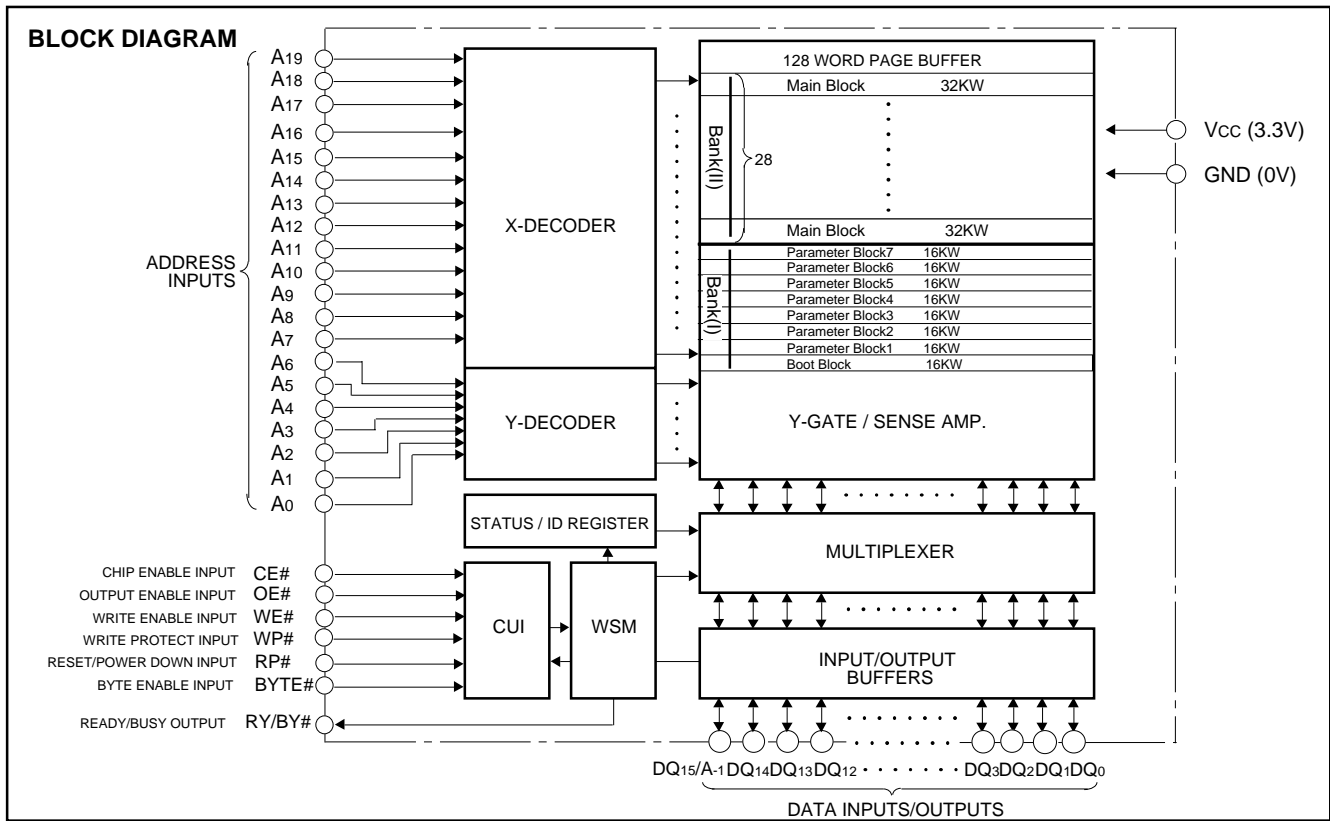
- Code Strage
- Digital Cellular Phone
- Telecommunication
- Mobile Computing Machine
- PDA (Personal Digital Assistance)
- Car Navigation System
- Video Game Machine

PIN CONFIGURATION (TOP VIEW)



MITSUBISHI LSIs
M5M29GB/T160BVP-80

16,777,216-BIT (2097,152-WORD BY 8-BIT / 1048,576-WORD BY16-BIT)
 CMOS 3.3V-ONLY, BLOCK ERASE FLASH MEMORY



M5M29GB/T160BVP (8/16 bit version)

FUNCTION

The M5M29GB/T160BVP includes on-chip program/erase control circuitry. The Write State Machine (WSM) controls block erase and byte/page program operations. Operational modes are selected by the commands written to the Command User Interface (CUI). The Status Register indicates the status of the WSM and when the WSM successfully completes the desired program or block erase operation.

A Deep Powerdown mode is enabled when the RP# pin is at GND, minimizing power consumption.

Read

The M5M29GB/T160BVP has three read modes, which accesses to the memory array, the Device Identifier and the Status Register. The appropriate read command are required to be written to the CUI. Upon initial device powerup or after exit from deep powerdown, the M5M29GB/T160BVP automatically resets to read array mode. In the read array mode, low level input to CE# and OE#, high level input to WE# and RP#, and address signals to the address inputs (A19-A-1:Byte Mode, A19-A0:Word Mode) output the data of the addressed location to the data input/output (D7-D0:Byte Mode, D15-D0:Word Mode).

Write

Writes to the CUI enables reading of memory array data, device identifiers and reading and clearing of the Status Register. They also enable block erase and program. The CUI is written by bringing WE# to low level, while CE# is at low level and OE# is at high level. Address and data are latched on the earlier rising edge of WE# and CE#. Standard micro-processor write timings are used.

Alternating Background Operation (BGO)

The M5M29GB/T160BVP allows to read array from one bank while the other bank operates in software command write cycling or the erasing / programming operation in the background. Read array operation with the other bank in BGO is performed by changing the bank address without any additional command. When the bank address points the bank in software command write cycling or the erasing / programming operation, the data is read out from the status register. The access time with BGO is the same as the normal read operation.

Output Disable

When OE# is at VIH, output from the devices is disabled. Data input/output are in a high-impedance(High-Z) state.

Standby

When CE# is at VIH, the device is in the standby mode and its power consumption is reduced. Data input/output are in a high-impedance(High-Z) state. If the memory is deselected during block erase or program, the internal control circuits remain active and the device consume normal active power until the operation completes.

Deep Power-Down

When RP# is at VIL, the device is in the deep powerdown mode and its power consumption is substantially low. During read modes, the memory is deselected and the data input/output are in a high-impedance(High-Z) state. After return from powerdown, the CUI is reset to Read Array, and the Status Register is cleared to value 80H.

During block erase or program modes, RP# low will abort either operation. Memory array data of the block being altered become invalid.

Automatic Power-Saving (APS)

The Automatic Power-Saving minimizes the power consumption during read mode. The device automatically turns to this mode when any addresses or CE# isn't changed more than 200ns after the last alternation. The power consumption becomes the same as the stand-by mode. While in this mode, the output data is latched and can be read out. New data is read out correctly when addresses are changed.

MITSUBISHI LSIs M5M29GB/T160BVP-80

16,777,216-BIT (2097,152-WORD BY 8-BIT / 1048,576-WORD BY16-BIT)
CMOS 3.3V-ONLY, BLOCK ERASE FLASH MEMORY

SOFTWARE COMMAND DEFINITIONS

The device operations are selected by writing specific software command into the Command User Interface.

Read Array Command (FFH)

The device is in Read Array mode on initial device power up and after exit from deep powerdown, or by writing FFH to the Command User Interface. After starting the internal operation the device is set to the read status register mode automatically.

Read Device Identifier Command (90H)

It can normally read device identifier codes when Read Device Identifier Code Command(90H) is written to the command latch. Following the command write, the manufacturer code and the device code can be read from address 00000H and 00001H, respectively.

Read Status Register Command (70H)

The Status Register is read after writing the Read Status Register command of 70H to the Command User Interface. Also, after starting the internal operation the device is set to the Read Status Register mode automatically.

The contents of Status Register are latched on the later falling edge of OE# or CE#. So CE# or OE# must be toggled every status read.

Clear Status Register Command (50H)

The Erase Status, Program Status and Block Status bits are set to "1"s by the Write State Machine and can only be reset by the Clear Status Register command of 50H. These bits indicates various failure conditions.

Block Erase / Confirm Command (20H/D0H)

Automated block erase is initiated by writing the Block Erase command of 20H followed by the Confirm command of D0H. An address within the block to be erased is required. The WSM executes iterative erase pulse application and erase verify operation.

Program Commands

A)Word/Byte Program (40H)

Word/Byte program is executed by a two-command sequence. The Word/Byte Program Setup command of 40H is written to the Command Interface, followed by a second write specifying the address and data to be written. The WSM controls the program pulse application and verify operation. The Word/Byte Program Command is Valid for only Bank(I).

B)Page Program for Data Blocks (41H)

Page Program for Bank(I) and Bank(II) allows fast programming of 128words/256bytes of data. Writing of 41H initiates the page program operation for the Data area. From 2nd cycle to 257th cycle (Byte Mode)129th cycle (Word Mode), write data must be serially inputted. Address A6-A0,A-1 (Byte Mode) / A6-A0 (Word Mode) have to be incremented from 00H to 7FH/FFH. After completion of data loading, the WSM controls the program pulse application and verify operation.

C)Single Data Load to Page Buffer (74H) / Page Buffer to Flash (0EH/D0H)

Single data load to the page buffer is performed by writing 74H followed by a second write specifying the column address and data. Distinct data up to 256byte/128word can be loaded to the page buffer by this two-command sequence. On the other hand, all of the loaded data to the page buffer is programmed simultaneously by writing Page Buffer to Flash command of 0EH followed by the confirm command of D0H. After completion of programming the data on the page buffer is cleared automatically. This command is valid for only Bank(I) alike Word/Byte Program.

Clear Page Buffer Command (55H)

Loaded data to the page buffer is cleared by writing the Clear Page Buffer command of 55H followed by the Confirm command of D0H. This command is valid for clearing data loaded by Single Data Load to Page Buffer command.

Suspend/Resume Command (B0H/D0H)

Writing the Suspend command of B0H during block erase operation interrupts the block erase operation and allows read out from another block of memory. Writing the Suspend command of B0H during program operation interrupts the program operation and allows read out from another block of memory. The Bank address is required when writing the Suspend/Resume Command. The device continues to output Status Register data when read, after the Suspend command is written to it. Polling the WSM Status and Suspend Status bits will determine when the erase operation or program operation has been suspended. At this point, writing of the Read Array command to the CUI enables reading data from blocks other than that which is suspended. When the Resume command of D0H is written to the CUI, the WSM will continue with the erase or program processes.

DATA PROTECTION

The M5M29GB/T160BVP provides selectable block locking of memory blocks. Each block has an associated nonvolatile lock-bit which determines the lock status of the block. In addition, the M5M29GB/T160BVP has a master Write Protect pin (WP#) which prevents any modifications to memory blocks whose lock-bits are set to "0", when WP# is low. When WP# is high, all blocks can be programmed or erased regardless of the state of the lock-bits, and the lock-bits are cleared to "1" by erase. See the BLOCK LOCKING table on P.9 for details.

Power Supply Voltage

When the power supply voltage (Vcc) is less than VLKO, Low Vcc Lock-Out voltage, the device is set to the Read-only mode. Regarding DC electrical characteristics of VLKO, see P.10
A delay time of 2 us is required before any device operation is initiated. The delay time is measured from the time Vcc reaches Vccmin (2.7V).

During power up, RP#=GND is recommended. Falling in Busy status is not recommended for possibility of damaging the device.

MEMORY ORGANIZATION

The M5M29GB/T160BVP has one 32Kbyte boot block, seven 32Kbyte parameter blocks, for Bank(I) and twenty-eight 64Kbyte main blocks for Bank(II). A block is erased independently of other blocks in the array.

MITSUBISHI LSIs
M5M29GB/T160BVP-80

16,777,216-BIT (2097,152-WORD BY 8-BIT / 1048,576-WORD BY16-BIT)
CMOS 3.3V-ONLY, BLOCK ERASE FLASH MEMORY

Mitsubishi 16M Flash Memory Type name

M 5 M 29G T 160B VP

Operating Voltage :

29G : 2.7 - 3.6V
Standard / BGO Type

29W : 1.65 - 2.2V
Standard / BGO Type

Boot Block :

T : Top Boot
B : Bottom Boot

Density/Write Protect/
Word Organization:

160B : 16M WP#, x8/x16
161B : 16M WP1# & WP2#, x16

Package :

VP : 48pin TSOP(I) 12mm x 20mm (Normal Pinout)
WG: CSP Ball Pitch 0.75mm,6x8 array, 7mm x 8.5mm

MITSUBISHI LSIs M5M29GB/T160BVP-80

16,777,216-BIT (2097,152-WORD BY 8-BIT / 1048,576-WORD BY16-BIT)
CMOS 3.3V-ONLY, BLOCK ERASE FLASH MEMORY

MEMORY ORGANIZATION

x8 (Bytemode)	x16 (Wordmode)		x8 (Bytemode)	x16 (Wordmode)	
1F0000H-1FFFFFH	F8000H-FFFFFH	32Kword MAIN BLOCK 35	1F8000H-1FFFFFH	FC000H-FFFFFH	16Kword BOOT BLOCK 35
1E0000H-1EFFFFH	F0000H-F7FFFH	32Kword MAIN BLOCK 34	1F0000H-1F7FFFH	F8000H-FBFFFH	16Kword PARAMETER BLOCK 34
1D0000H-1DFFFFH	E8000H-EFFFFH	32Kword MAIN BLOCK 33	1E8000H-1EFFFFH	F4000H-F7FFFH	16Kword PARAMETER BLOCK 33
1C0000H-1CFFFFH	E0000H-E7FFFH	32Kword MAIN BLOCK 32	1E0000H-1E7FFFH	F0000H-F3FFFH	16Kword PARAMETER BLOCK 32
1B0000H-1BFFFFH	D8000H-DFFFFH	32Kword MAIN BLOCK 31	1D8000H-1DFFFFH	EC000H-EFFFFH	16Kword PARAMETER BLOCK 31
1A0000H-1AFFFFH	D0000H-D7FFFH	32Kword MAIN BLOCK 30	1D0000H-1D7FFFH	E8000H-EBFFFH	16Kword PARAMETER BLOCK 30
190000H-19FFFFH	C8000H-CFFFFH	32Kword MAIN BLOCK 29	1C8000H-1CFFFFH	E4000H-E7FFFH	16Kword PARAMETER BLOCK 29
180000H-18FFFFH	C0000H-C7FFFH	32Kword MAIN BLOCK 28	1C0000H-1C7FFFH	E0000H-E3FFFH	16Kword PARAMETER BLOCK 28
170000H-17FFFFH	B8000H-BFFFFH	32Kword MAIN BLOCK 27	1B0000H-1BFFFFH	D8000H-DFFFFH	32Kword MAIN BLOCK 27
160000H-16FFFFH	B0000H-B7FFFH	32Kword MAIN BLOCK 26	1A0000H-1AFFFFH	D0000H-D7FFFH	32Kword MAIN BLOCK 26
150000H-15FFFFH	A8000H-AFFFFH	32Kword MAIN BLOCK 25	190000H-19FFFFH	C8000H-CFFFFH	32Kword MAIN BLOCK 25
140000H-14FFFFH	A0000H-A7FFFH	32Kword MAIN BLOCK 24	180000H-18FFFFH	C0000H-C7FFFH	32Kword MAIN BLOCK 24
130000H-13FFFFH	98000H-9FFFFH	32Kword MAIN BLOCK 23	170000H-17FFFFH	B8000H-BFFFFH	32Kword MAIN BLOCK 23
120000H-12FFFFH	90000H-97FFFH	32Kword MAIN BLOCK 22	160000H-16FFFFH	B0000H-B7FFFH	32Kword MAIN BLOCK 22
110000H-11FFFFH	88000H-8FFFFH	32Kword MAIN BLOCK 21	150000H-15FFFFH	A8000H-AFFFFH	32Kword MAIN BLOCK 21
100000H-10FFFFH	80000H-87FFFH	32Kword MAIN BLOCK 20	140000H-14FFFFH	A0000H-A7FFFH	32Kword MAIN BLOCK 20
F0000H-FFFFFH	78000H-7FFFFH	32Kword MAIN BLOCK 19	130000H-13FFFFH	98000H-9FFFFH	32Kword MAIN BLOCK 19
E0000H-EFFFFH	70000H-77FFFH	32Kword MAIN BLOCK 18	120000H-12FFFFH	90000H-97FFFH	32Kword MAIN BLOCK 18
D0000H-DFFFFH	68000H-6FFFFH	32Kword MAIN BLOCK 17	110000H-11FFFFH	88000H-8FFFFH	32Kword MAIN BLOCK 17
C0000H-CFFFFH	60000H-67FFFH	32Kword MAIN BLOCK 16	100000H-10FFFFH	80000H-87FFFH	32Kword MAIN BLOCK 16
B0000H-BFFFFH	58000H-5FFFFH	32Kword MAIN BLOCK 15	F0000H-FFFFFH	78000H-7FFFFH	32Kword MAIN BLOCK 15
A0000H-AFFFFH	50000H-57FFFH	32Kword MAIN BLOCK 14	E0000H-EFFFFH	70000H-77FFFH	32Kword MAIN BLOCK 14
90000H-9FFFFH	48000H-4FFFFH	32Kword MAIN BLOCK 13	D0000H-DFFFFH	68000H-6FFFFH	32Kword MAIN BLOCK 13
80000H-8FFFFH	40000H-47FFFH	32Kword MAIN BLOCK 12	C0000H-CFFFFH	60000H-67FFFH	32Kword MAIN BLOCK 12
70000H-7FFFFH	38000H-3FFFFH	32Kword MAIN BLOCK 11	B0000H-BFFFFH	58000H-5FFFFH	32Kword MAIN BLOCK 11
60000H-6FFFFH	30000H-37FFFH	32Kword MAIN BLOCK 10	A0000H-AFFFFH	50000H-57FFFH	32Kword MAIN BLOCK 10
50000H-5FFFFH	28000H-2FFFFH	32Kword MAIN BLOCK 9	90000H-9FFFFH	48000H-4FFFFH	32Kword MAIN BLOCK 9
40000H-4FFFFH	20000H-27FFFH	32Kword MAIN BLOCK 8	80000H-8FFFFH	40000H-47FFFH	32Kword MAIN BLOCK 8
38000H-3FFFFH	1C000H-1FFFFH	16Kword PARAMETER BLOCK 7	70000H-7FFFFH	38000H-3FFFFH	32Kword MAIN BLOCK 7
30000H-37FFFH	18000H-1BFFFH	16Kword PARAMETER BLOCK 6	60000H-6FFFFH	30000H-37FFFH	32Kword MAIN BLOCK 6
28000H-2FFFFH	14000H-17FFFH	16Kword PARAMETER BLOCK 5	50000H-5FFFFH	28000H-2FFFFH	32Kword MAIN BLOCK 5
20000H-27FFFH	10000H-13FFFH	16Kword PARAMETER BLOCK 4	40000H-4FFFFH	20000H-27FFFH	32Kword MAIN BLOCK 4
18000H-1FFFFH	0C000H-0FFFFH	16Kword PARAMETER BLOCK 3	30000H-3FFFFH	18000H-1FFFFH	32Kword MAIN BLOCK 3
10000H-17FFFH	08000H-0BFFFH	16Kword PARAMETER BLOCK 2	20000H-2FFFFH	10000H-17FFFH	32Kword MAIN BLOCK 2
08000H-0FFFFH	04000H-07FFFH	16Kword PARAMETER BLOCK 1	10000H-1FFFFH	08000H-0FFFFH	32Kword MAIN BLOCK 1
00000H-07FFFH	00000H-03FFFH	16Kword BOOT BLOCK 0	00000H-0FFFFH	00000H-07FFFH	32Kword MAIN BLOCK 0

M5M29GB160BVP Memory Map

M5M29GT160BVP Memory Map

MITSUBISHI LSIs
M5M29GB/T160BVP-80

16,777,216-BIT (2097,152-WORD BY 8-BIT / 1048,576-WORD BY16-BIT)
CMOS 3.3V-ONLY, BLOCK ERASE FLASH MEMORY

BUS OPERATIONS

Bus Operations for Word-Wide Mode

Mode	Pins	CE#	OE#	WE#	RP#	DQ0-15	RY/BY#
Read	Array	V _{IL}	V _{IL}	V _{IH}	V _{IH}	Data out	V _{OH} (Hi-Z)
	Status Register	V _{IL}	V _{IL}	V _{IH}	V _{IH}	Status Register Data	X ¹⁾
	Lock Bit Status	V _{IL}	V _{IL}	V _{IH}	V _{IH}	Lock Bit Data (DQ6)	X
	Identifier Code	V _{IL}	V _{IL}	V _{IH}	V _{IH}	Identifier Code	V _{OH} (Hi-Z)
Output disable		V _{IL}	V _{IH}	V _{IH}	V _{IH}	Hi-Z	X
Stand by		V _{IH}	X ²⁾	X	V _{IH}	Hi-Z	X
Write	Program	V _{IL}	V _{IH}	V _{IL}	V _{IH}	Command/Data in	X
	Erase	V _{IL}	V _{IH}	V _{IL}	V _{IH}	Command	X
	Others	V _{IL}	V _{IH}	V _{IL}	V _{IH}	Command	X
Deep Power Down		X	X	X	V _{IL}	Hi-Z	V _{OH} (Hi-Z)

Bus Operations for Byte-Wide Mode

Mode	Pins	CE#	OE#	WE#	RP#	DQ0-7	RY/BY#
Read	Array	V _{IL}	V _{IL}	V _{IH}	V _{IH}	Data out	V _{OH} (Hi-Z)
	Status Register	V _{IL}	V _{IL}	V _{IH}	V _{IH}	Status Register Data	X ¹⁾
	Lock Bit Status	V _{IL}	V _{IL}	V _{IH}	V _{IH}	Lock Bit Data (DQ6)	X
	Identifier Code	V _{IL}	V _{IL}	V _{IH}	V _{IH}	Identifier Code	V _{OH} (Hi-Z)
Output disable		V _{IL}	V _{IH}	V _{IH}	V _{IH}	Hi-Z	X
Stand by		V _{IH}	X ²⁾	X	V _{IH}	Hi-Z	X
Write	Program	V _{IL}	V _{IH}	V _{IL}	V _{IH}	Command/Data in	X
	Erase	V _{IL}	V _{IH}	V _{IL}	V _{IH}	Command	X
	Others	V _{IL}	V _{IH}	V _{IL}	V _{IH}	Command	X
Deep Power Down		X	X	X	V _{IL}	Hi-Z	V _{OH} (Hi-Z)

1) X at RY/BY# is VOL or VOH(Hi-Z).

*The RY/BY# is an open drain output pin and indicates status of the internal WSM. When low, it indicates that the WSM is Busy performing an operation. A pull-up resistor of 10K-100K Ohms is required to allow the RY/BY# signal to transition high indicating a Ready WSM condition.

2) X can be V_{IH} or V_{IL} for control pins.

MITSUBISHI LSIs
M5M29GB/T160BVP-80

16,777,216-BIT (2097,152-WORD BY 8-BIT / 1048,576-WORD BY16-BIT)
CMOS 3.3V-ONLY, BLOCK ERASE FLASH MEMORY

SOFTWARE COMMAND DEFINITION

Command List

Command	1st bus cycle			2nd bus cycle			3rd ~257th bus cycles (Byte Mode) 3rd ~129th bus cycles (Word Mode)		
	Mode	Address	Data (DQ7-0) ¹⁾ (DQ15-0)	Mode	Address	Data (DQ7-0) (DQ15-0)	Mode	Address	Data (DQ7-0) (DQ15-0)
Read Array	Write	X	FFH						
Device Identifier	Write	X	90H	Read	IA ²⁾	ID ²⁾			
Read Status Register	Write	Bank ³⁾	70H	Read	Bank	SRD ⁴⁾			
Clear Status Register	Write	X	50H						
Clear Page Buffer	Write	X	55H	Write	X	D0H ¹⁾			
Byte/Word Program ⁵⁾	Write	Bank(I) ⁵⁾	40H	Write	WA ⁶⁾	WD ⁶⁾			
Page Program ⁷⁾	Write	Bank	41H	Write	WA0 ⁷⁾	WD0 ⁷⁾	Write	WAn ⁷⁾	WDn ⁷⁾
Single Data Load to Page Buffer ⁵⁾	Write	Bank(I) ⁵⁾	74H	Write	WA	WD			
Page Buffer to Flash ⁵⁾	Write	Bank(I) ⁵⁾	0EH	Write	WA ⁸⁾	D0H ¹⁾			
Block Erase / Confirm	Write	Bank	20H	Write	BA ⁹⁾	D0H ¹⁾			
Suspend	Write	Bank	B0H						
Resume	Write	Bank	D0H						
Read Lock Bit Status	Write	X	71H	Read	BA	DQ6 ¹⁰⁾			
Lock Bit Program / Confirm	Write	Bank	77H	Write	BA	D0H ¹⁾			
Erase All Unlocked Blocks	Write	X	A7H	Write	X	D0H ¹⁾			

1) In the word-wide version(Byte#=H), upper byte data (DQ8-DQ15) is ignored.

2) IA=ID Code Address : A0=VIL (Manufacturer's Code) : A0=VIH (Device Code), ID=ID Code

3) Bank = Bank Address (Bank(I) or Bank(II)) : A19-A17.

4) SRD = Status Register Data

5) Byte/Word Program, Single Data Load and Page Buffer to Flash Command is valid for only Bank(I).

6) WA = Write Address,WD = Write Data

7) WA0,WAn=Write Address, WD0,WDn=Write Data.

Byte Mode : Write Address and Write Data must be provided sequentially from 00H to FFH for A6-A0,A-1. Page size is 256Byte (256byte x 8bit), and also A19-A7(Block Address, Page Address) must be valid.

Word Mode : Write Address and Write Data must be provided sequentially from 00H to 7FH for A6-A0. Page size is 128word (128word x 16bit), and also A19-A7(Block Address, Page Address) must be valid.

8) WA = Write Address : Upper page address, A19-A7(Block Address, Page Address) must be valid.

9) BA = Block Address : BA = Block Address : A19-A14(Bank1) A19-A15(Bank2)

10) DQ6 provides Block Lock Status, DQ6 = 1 : Block Unlock, DQ6 = 0 : Block Locked.

MITSUBISHI LSIs
M5M29GB/T160BVP-80

16,777,216-BIT (2097,152-WORD BY 8-BIT / 1048,576-WORD BY16-BIT)
CMOS 3.3V-ONLY, BLOCK ERASE FLASH MEMORY

BLOCK LOCKING

160B		Lock Bit (Internally)	Write Protection Provided				Note
RP#	WP#		BANK(I)		BANK(II)	Lock Bit	
			Boot	Parameter	Data		
V _{IL}	X	X	Locked	Locked	Locked	Locked	Deep Power Down Mode
V _{IH}	V _{IL}	0	Locked	Locked	Locked	Locked	
		1	Locked	Unlocked	Unlocked	Locked	
	V _{IH}	X	Unlocked	Unlocked	Unlocked	Unlocked	

- 1) DQ6 provides Lock Status of each block after writing the Read Lock Status command (71H).
WP# pins must not be switched during performing Erase / Write operations or WSM Busy (WSMS = 0).
- 2) Erase/Write command for locked blocks is aborted. At this time read mode is not array read mode but status read mode and 00B0H is read. Please issue Clear Status Register command plus Read Array command to change the mode from status read mode to array read mode.

STATUS REGISTER

Symbol	Status	Definition	
		"1"	"0"
SR.7 (DQ7)	Write State Machine Status	Ready	Busy
SR.6 (DQ6)	Suspend Status	Suspended	Operation in Progress / Completed
SR.5 (DQ5)	Erase Status	Error	Successful
SR.4 (DQ4)	Program Status	Error	Successful
SR.3 (DQ3)	Block Status after Program	Error	Successful
SR.2 (DQ2)	<i>Reserved</i>	-	-
SR.1 (DQ1)	<i>Reserved</i>	-	-
SR.0 (DQ0)	<i>Reserved</i>	-	-

*The RY/BY# is an open drain output pin and indicates status of the internal WSM. When low, it indicates that the WSM is Busy performing an operation. A pull-up resistor of 10K-100K Ohms is required to allow the RY/BY# signal to transition high indicating a Ready WSM condition.

*DQ3 indicates the block status after the page programming, byte/word programming and page buffer to flash. When DQ3 is "1", the page has the over-programmed cell. If over-program occurs, the device is block fail. However if DQ3 is "1", please try the block erase to the block. The block may revive.

MITSUBISHI LSIs M5M29GB/T160BVP-80

16,777,216-BIT (2097,152-WORD BY 8-BIT / 1048,576-WORD BY16-BIT)
CMOS 3.3V-ONLY, BLOCK ERASE FLASH MEMORY

DEVICE IDENTIFIER CODE

Code \ Pins	A ₀	DQ ₇	DQ ₆	DQ ₅	DQ ₄	DQ ₃	DQ ₂	DQ ₁	DQ ₀	Hex. Data
Manufacturer Code	V _{IL}	0	0	0	1	1	1	0	0	1CH
Device Code (-T160BVP)	V _{IH}	1	0	1	0	0	0	0	0	A0H
Device Code (-B160BVP)	V _{IH}	1	0	1	0	0	0	0	1	A1H

In the word-wide mode, the upper data(D₁₅₋₈) is "0".

ABSOLUTE MAXIMUM RATINGS

Symbol	Parameter	Conditions	Min	Max	Unit
V _{CC}	V _{CC} voltage	With respect to Ground	-0.2	4.6	V
V _{I1}	All input or output voltage ¹⁾		-0.6	4.6	V
T _a	Ambient temperature		-40	85	°C
T _{bs}	Temperature under bias		-50	95	°C
T _{stg}	Storage temperature		-65	125	°C
I _{OUT}	Output short circuit current			100	mA

1) Minimum DC voltage is -0.5V on input/output pins. During transitions, this level may undershoot to -2.0V for periods <20ns. Maximum DC voltage on input/output pins is V_{CC}+0.5V which, during transitions, may overshoot to V_{CC}+1.5V for periods <20ns.

CAPACITANCE

Symbol	Parameter	Test conditions	Limits			Unit
			Min	Typ	Max	
C _{IN}	Input capacitance (Address, Control Pins)	T _a = 25°C, f = 1MHz, V _{in} = V _{out} = 0V			8	pF
C _{OUT}	Output capacitance				12	pF

DC ELECTRICAL CHARACTERISTICS (T_a = -40~ 85°C, V_{CC} = 2.7V ~ 3.6V, unless otherwise noted)

Symbol	Parameter	Test conditions	Limits			Unit
			Min	Typ ¹⁾	Max	
I _{LI}	Input leakage current	0V ≤ V _{IN} ≤ V _{CC}			±1	μA
I _{LO}	Output leakage current	0V ≤ V _{OUT} ≤ V _{CC}			±10	μA
ISB1	V _{CC} standby current	V _{CC} = 3.6V, V _{IN} = V _{IL} /V _{IH} , CE# = RP# = WP# = V _{IH}		50	200	μA
ISB2		V _{CC} = 3.6V, V _{IN} = GND or V _{CC} , CE# = RP# = WP# = V _{CC} ± 0.3V		0.1	5	μA
ISB3	V _{CC} deep powerdown current	V _{CC} = 3.6V, V _{IN} = V _{IL} /V _{IH} , RP# = V _{IL}		5	15	μA
ISB4		V _{CC} = 3.6V, V _{IN} = GND or V _{CC} , RP# = GND ± 0.3V		0.1	5	μA
I _{CC1}	V _{CC} read current for Word or Byte	V _{CC} = 3.6V, V _{IN} = V _{IL} /V _{IH} , CE# = V _{IL} , RP# = OE# = V _{IH} , I _{OUT} = 0mA	5MHz	8	15	mA
			1MHz	2	4	
I _{CC2}	V _{CC} Write current for Word or Byte	V _{CC} = 3.6V, V _{IN} = V _{IL} /V _{IH} , CE# = WE# = V _{IL} , RP# = OE# = V _{IH}			15	mA
I _{CC3}	V _{CC} program current	V _{CC} = 3.6V, V _{IN} = V _{IL} /V _{IH} , CE# = RP# = WP# = V _{IH}			35	mA
I _{CC4}	V _{CC} erase current	V _{CC} = 3.6V, V _{IN} = V _{IL} /V _{IH} , CE# = RP# = WP# = V _{IH}			35	mA
I _{CC5}	V _{CC} suspend current	V _{CC} = 3.6V, V _{IN} = V _{IL} /V _{IH} , CE# = RP# = WP# = V _{IH}			200	μA
V _{IL}	Input low voltage		-0.5		0.8	V
V _{IH}	Input high voltage		2.0		V _{CC} +0.5	V
V _{OL}	Output low voltage	I _{OL} = 4.0mA			0.45	V
V _{OH1}	Output high voltage	I _{OH} = -2.0mA		0.85V _{CC}		V
V _{OH2}		I _{OH} = -100μA		V _{CC} -0.4		V
V _{LKO}	Low V _{CC} Lock-Out voltage ²⁾		1.5		2.2	V

All currents are in RMS unless otherwise noted.

1) Typical values at V_{CC}=3.3V, T_a=25°C

2) To protect against initiation of write cycle during V_{CC} power-up/ down, a write cycle is locked out for V_{CC} less than V_{LKO}.

If V_{CC} is less than V_{LKO}, Write State Machine is reset to read mode. When the Write State Machine is in Busy state, if V_{CC} is less than V_{LKO}, the alteration of memory contents may occur.

MITSUBISHI LSIs M5M29GB/T160BVP-80

16,777,216-BIT (2097,152-WORD BY 8-BIT / 1048,576-WORD BY16-BIT)
CMOS 3.3V-ONLY, BLOCK ERASE FLASH MEMORY

AC ELECTRICAL CHARACTERISTICS (Ta = -40 ~85°C)

Read-Only Mode

Symbol	Parameter	Limits						Unit		
		Speed Item: -80								
		Vcc=3.3V+/-0.3V			Vcc=2.7~3.6V					
		Min	Typ	Max	Min	Typ	Max			
t _{RC}	t _{AVAV}	Read cycle time		80			90			ns
t _a (AD)	t _{AVQV}	Address access time				80			90	ns
t _a (CE)	t _{ELQV}	Chip enable access time				80			90	ns
t _a (OE)	t _{GLQV}	Output enable access time				30			30	ns
t _{CLZ}	t _{ELQX}	Chip enable to output in low-Z		0			0			ns
t _{DF} (CE)	t _{EHQZ}	Chip enable high to output in high Z				25			25	ns
t _{OLZ}	t _{GLQX}	Output enable to output in low-Z		0			0			ns
t _{DF} (OE)	t _{GHQZ}	Output enable high to output in high Z				25			25	ns
t _{PHZ}	t _{PLQZ}	RP# low to output high-Z				150			150	ns
t _a (BYTE)	t _{FL/HQV}	BYTE# access time				80			90	ns
t _{BHZ}	t _{FLQZ}	BYTE# low to output high-Z				25			25	ns
t _{OH}	t _{OH}	Output hold from CE#, OE#, addresses		0				0		ns
t _{BCD}	t _{ELFL/H}	F-CE# low to BYTE# high or low				5			5	ns
t _{BAD}	t _{AVFL/H}	Address to BYTE# high or low				5	0		5	ns
t _{OEH}	t _{WHGL}	OE# hold from WE# high		10			10			ns
t _{PS}	t _{PHL}	RP# recovery to CE# low		150			150			ns

Timing measurements are made under AC waveforms for read operations.

AC ELECTRICAL CHARACTERISTICS (Ta = -40 ~85°C)

Write Mode (WE# control)

Symbol	Parameter	Limits						Unit		
		Speed Item: -80								
		Vcc=3.3V+/-0.3V			Vcc=2.7~3.6V					
		Min	Typ	Max	Min	Typ	Max			
t _{WC}	t _{AVAV}	Write cycle time		80			90			ns
t _{AS}	t _{AVWH}	Address set-up time		50			50			ns
t _{AH}	t _{WHAX}	Address hold time		0			0			ns
t _{DS}	t _{DVWH}	Data set-up time		50			50			ns
t _{DH}	t _{WHDX}	Data hold time		0			0			ns
t _{OEH}	t _{WHGL}	OE# hold from WE# high		10			10			ns
t _{RE}	-	Latency between Read and Write FFH or 71H		30			30			ns
t _{CS}	t _{ELWL}	Chip enable set-up time		0			0			ns
t _{CH}	t _{WHEH}	Chip enable hold time		0			0			ns
t _{WP}	t _{WLWH}	Write pulse width		60			60			ns
t _{WPH}	t _{WHWL}	Write pulse width high		30			30			ns
t _{BS}	t _{FL/HWH}	Byte enable high or low set-up time		50			50			ns
t _{BH}	t _{WHFL/H}	Byte enable high or low hold time		80			90			ns
t _{GHWL}	t _{GHWL}	OE# hold to WE# Low		0			0			ns
t _{BLS}	t _{PHHWH}	Block Lock set-up to write enable high		80			90			ns
t _{BLH}	t _{QVPH}	Block Lockhold from valid SRD		0			0			ns
t _{DAP}	t _{WHRH1}	Duration of auto-program operation			4	80		4	80	ms
t _{DAE}	t _{WHRH2}	Duration of auto-block erase operation			40	600		40	600	ms
t _{WHRL}	t _{WHRL}	Write enable high to F-RY/BY# low				90			90	ns
t _{PS}	t _{PHWL}	RP# high recovery to write enable low		150			150			ns

Read timing parameters during command write operations mode are the same as during read-only operations mode.

Typical values at Vcc=3.3V, Ta=25°C

MITSUBISHI LSIs M5M29GB/T160BVP-80

16,777,216-BIT (2097,152-WORD BY 8-BIT / 1048,576-WORD BY16-BIT)
CMOS 3.3V-ONLY, BLOCK ERASE FLASH MEMORY

AC ELECTRICAL CHARACTERISTICS (Ta = -40 ~ 85°C)

Write Mode (CE# control)

Symbol	Parameter	Limits						Unit	
		Speed Item: -80							
		Vcc=3.3V+/-0.3V			Vcc=2.7~3.6V				
		Min	Typ	Max	Min	Typ	Max		
tWC	tAVAV	Write cycle time	80			90			ns
tAS	tAVWH	Address set-up time	50			50			ns
tAH	tEHAX	Address hold time	0			0			ns
tDS	tDVWH	Data set-up time	50			50			ns
tDH	tEHDX	Data hold time	0			0			ns
tOEH	tEHGL	OE# hold from CE# high	10			10			ns
tRE	-	Latency between Read and Write FFH or 71H	30			30			ns
tWS	tWLEL	Write enable set-up time	0			0			ns
tWH	tEHWH	Write enable hold time	0			0			ns
tCEP	tELEH	CE# pulse width	60			60			ns
tCEPH	tEHEL	CE# pulse width high	30			30			ns
tBS	tFL/HWH	Byte enable high or low set-up time	50			50			ns
tBH	tWHFL/H	Byte enable high or low hold time	80			90			ns
tGHEL	tGHEL	OE# hold to CE# Low	80			90			ns
tBLS	tPHHEH	Block Lock set-up to write enable high	80			90			ns
tBLH	tQVPH	Block Lockhold from valid SRD	0			0			ns
tDAP	tEHRH1	Duration of auto-program operation		4	80		4	80	ms
tDAE	tEHRH2	Duration of auto-block erase operation		40	600		40	600	ms
tEHL	tEHL	F-CE# high to F-RY/BY# low			90			90	ns
tPS	tPHWL	RP# high recovery to write enable low	150			150			ns

Read timing parameters during command write operation mode are the same as during read-only operation mode.
Typical values at Vcc=3.3V, Ta=25°C

Erase and Program Performance

Parameter	Min	Typ	Max	Unit
Block Erase Time		40	600	ms
Main Block Write Time (Page Mode)		1.0	1.8	sec
Page Write Time		4	80	ms

Program Suspend Latency / Erase Suspend Time

Parameter	Min	Typ	Max	Unit
Program Suspend Latency			15	μs
Erase Suspend Time			15	μs

Please see page 19.

Vcc Power Up / Down Timing

Symbol	Parameter	Min	Typ	Max	Unit
tvcs	RP# =VIH set-up time from Vccmin	2			μs

Please see page 12.

During power up/down, by the noise pulses on control pins, the device has possibility of accidental erasure or programming.

The device must be protected against initiation of write cycle for memory contents during power up/down.

The delay time of min.2μsec is always required before read operation or write operation is initiated from the time Vcc reaches Vccmin during power up/down.

By holding RP# VIL, the contents of memory is protected during Vcc power up/down.

During power up, RP# must be held VIL for min.2μs from the time Vcc reaches Vccmin.

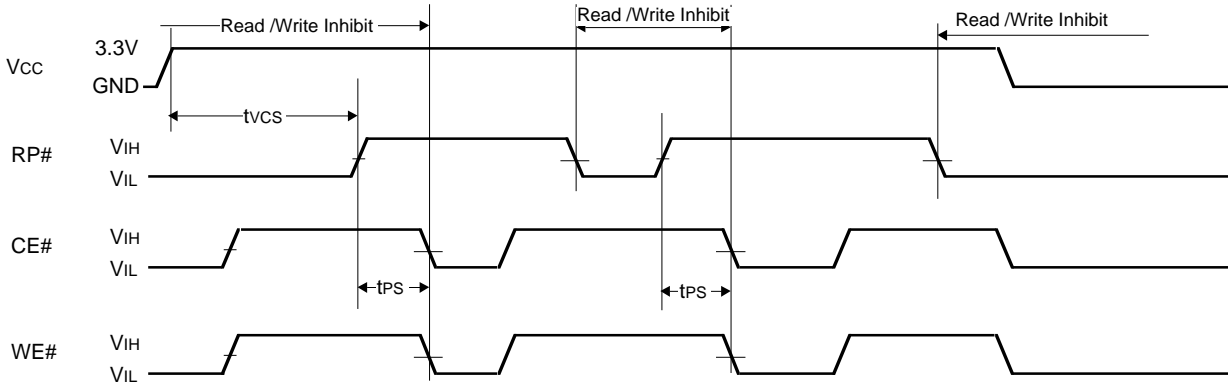
During power down, RP# must be held VIL until Vcc reaches GND.

RP# doesn't have latch mode ,therefore RP# must be held VIH during read operation or erase/program operation.

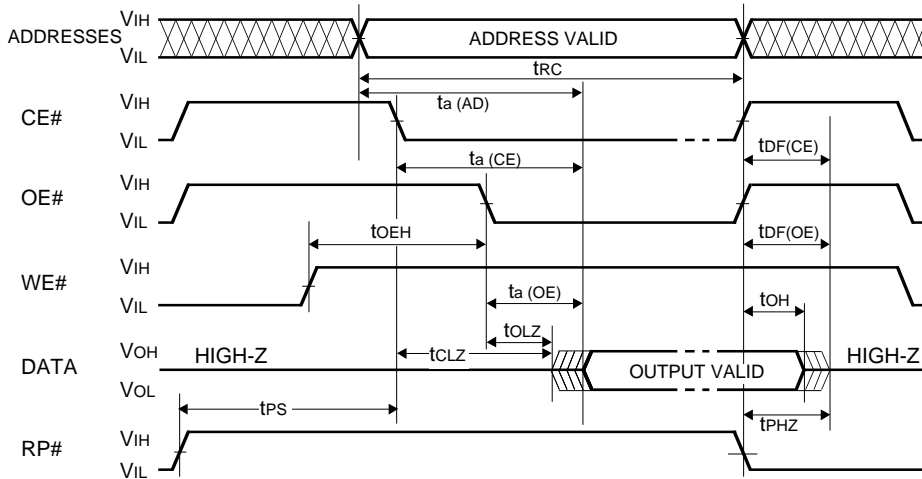
MITSUBISHI LSIs M5M29GB/T160BVP-80

16,777,216-BIT (2097,152-WORD BY 8-BIT / 1048,576-WORD BY16-BIT)
CMOS 3.3V-ONLY, BLOCK ERASE FLASH MEMORY

V_{CC} POWER UP / DOWN TIMING



AC WAVEFORMS FOR READ OPERATION AND TEST CONDITIONS

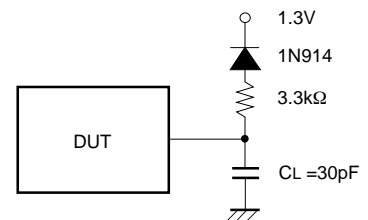


TEST CONDITIONS FOR AC CHARACTERISTICS

Input voltage : $V_{IL} = 0V$, $V_{IH} = 3.0V$
Input rise and fall times : $\leq 5ns$
Reference voltage
at timing measurement : 1.5V

Output load : 1TTL gate +
 $CL(30pF)$

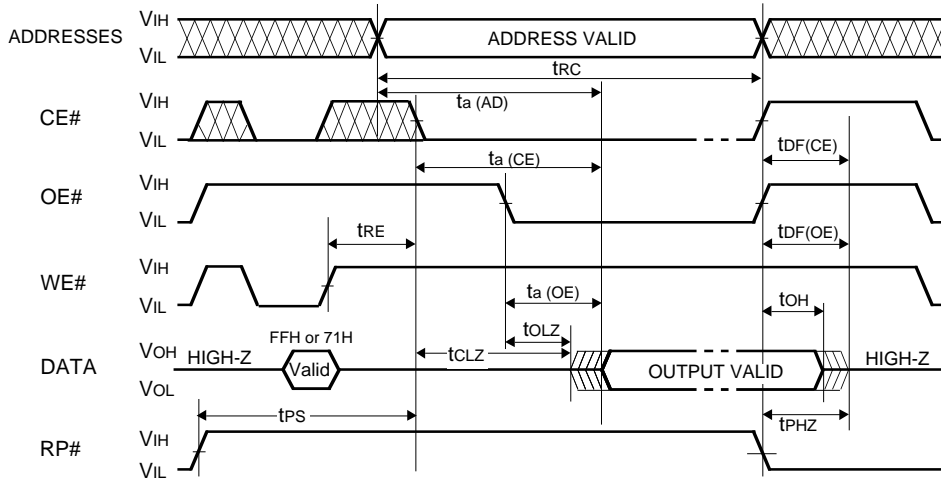
or



MITSUBISHI LSIs M5M29GB/T160BVP-80

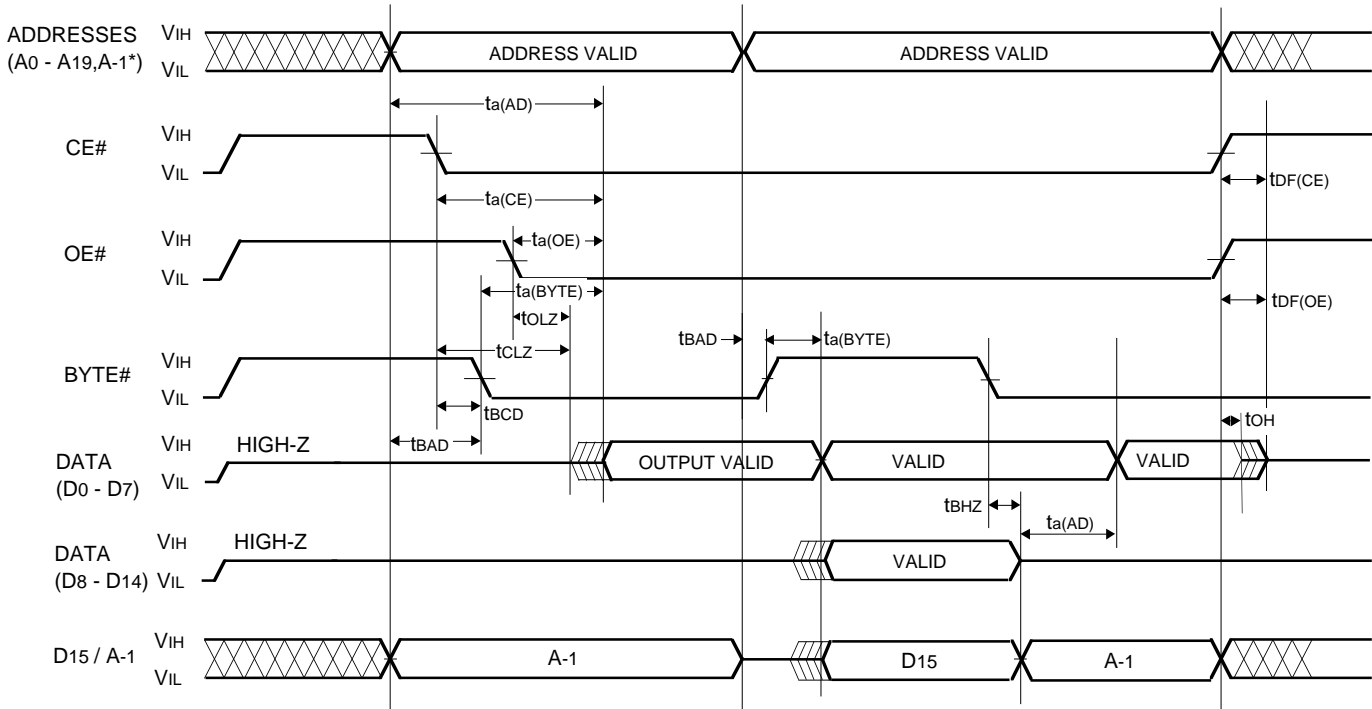
16,777,216-BIT (2097,152-WORD BY 8-BIT / 1048,576-WORD BY16-BIT)
CMOS 3.3V-ONLY, BLOCK ERASE FLASH MEMORY

AC WAVEFORMS FOR WRITE FFH or 71H AND READ OPERATION



In the case of use CE# is Low fixed, it is allowed to define a timing specification of tRE from rising edge of WE# to falling edge of OE#, and valid data is read after spec of tRE+ta(CE). (This is only for FFH,71H program and read)

BYTE AC WAVEFORMS FOR READ OPERATION

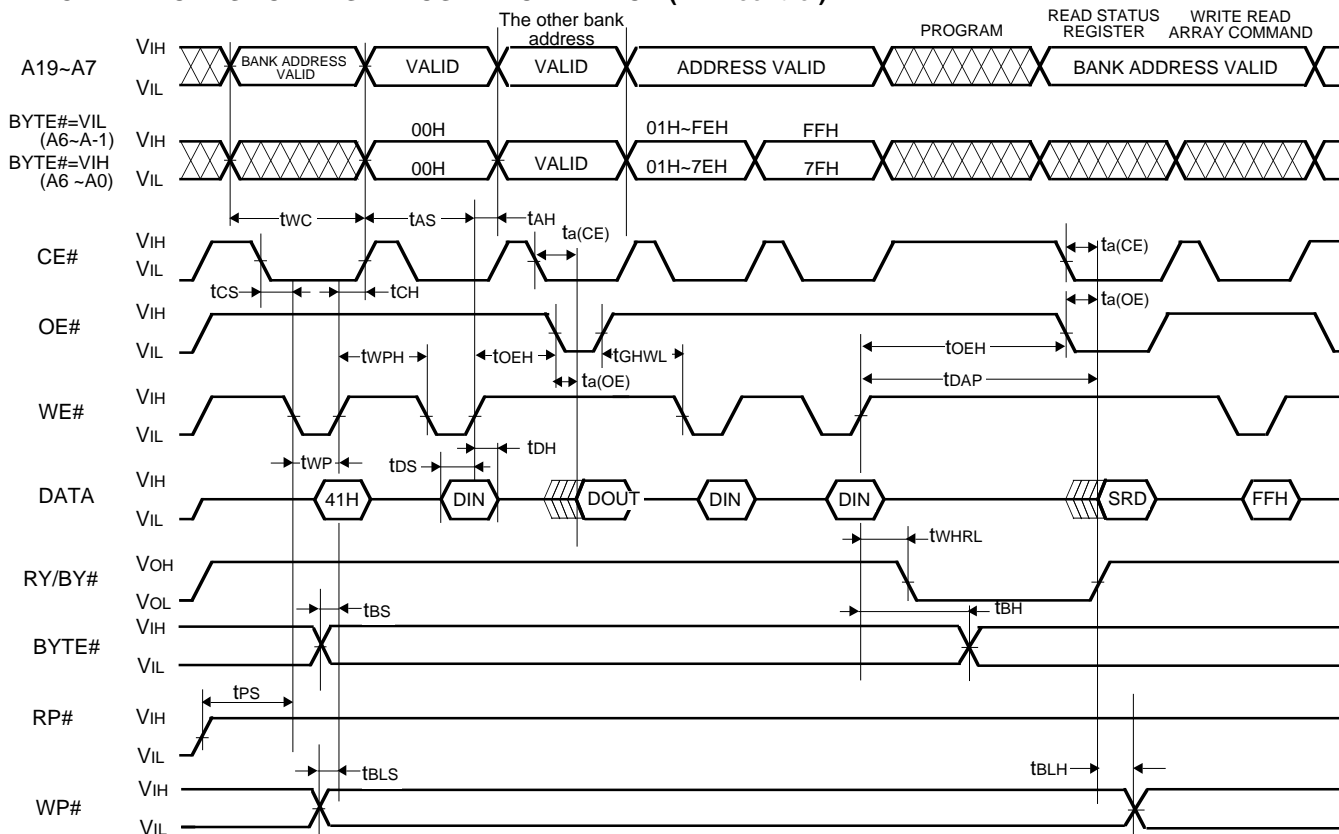


When BYTE#=VIH, CE#=OE#=VIL, D15/A-1 is output status. At this time, input signal must not be applied.

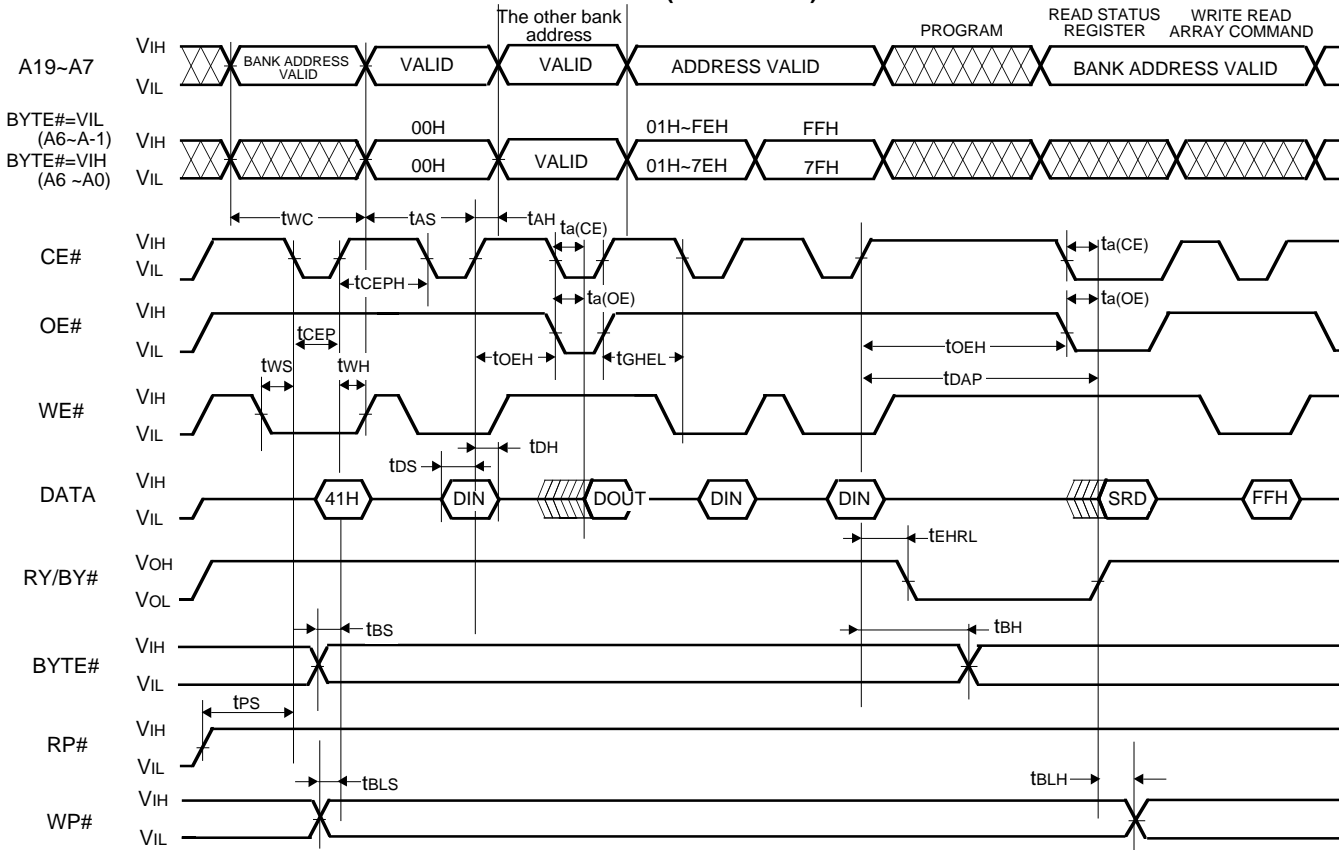
MITSUBISHI LSIs M5M29GB/T160BVP-80

16,777,216-BIT (2097,152-WORD BY 8-BIT / 1048,576-WORD BY16-BIT)
CMOS 3.3V-ONLY, BLOCK ERASE FLASH MEMORY

AC WAVEFORMS FOR PAGE PROGRAM OPERATION (WE# control)



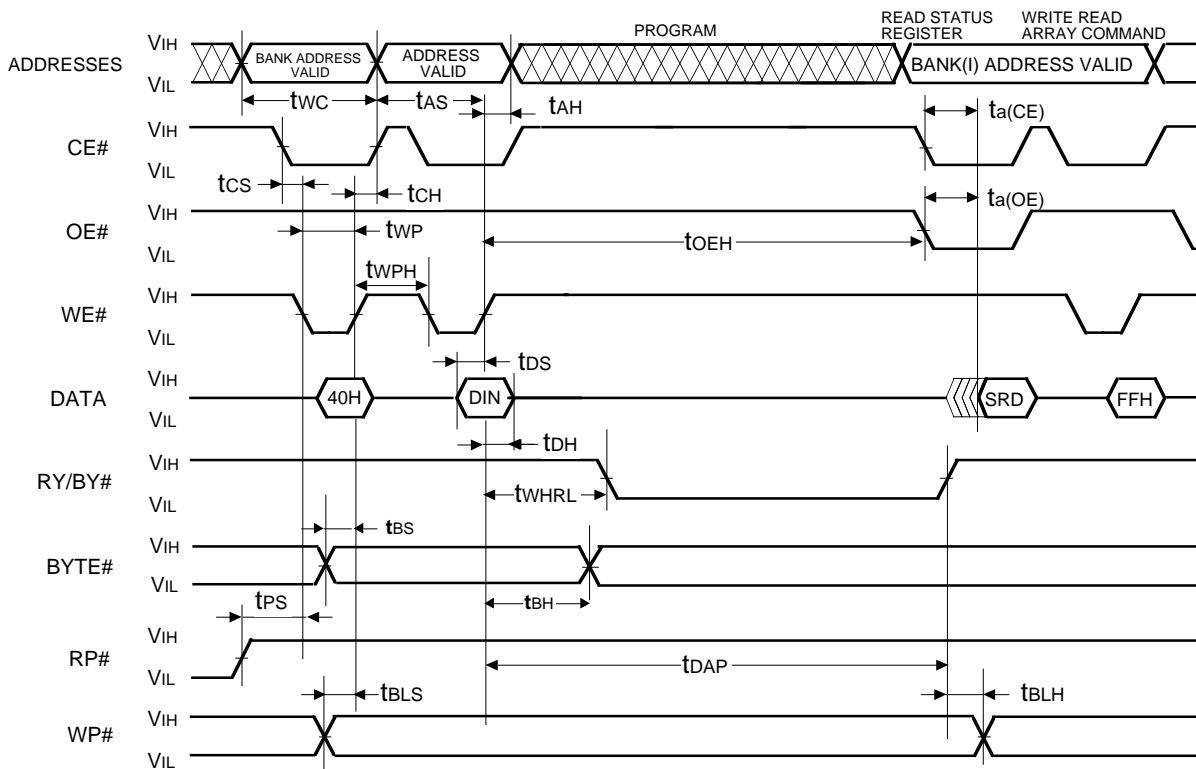
AC WAVEFORMS FOR PAGE PROGRAM OPERATION (CE# control)



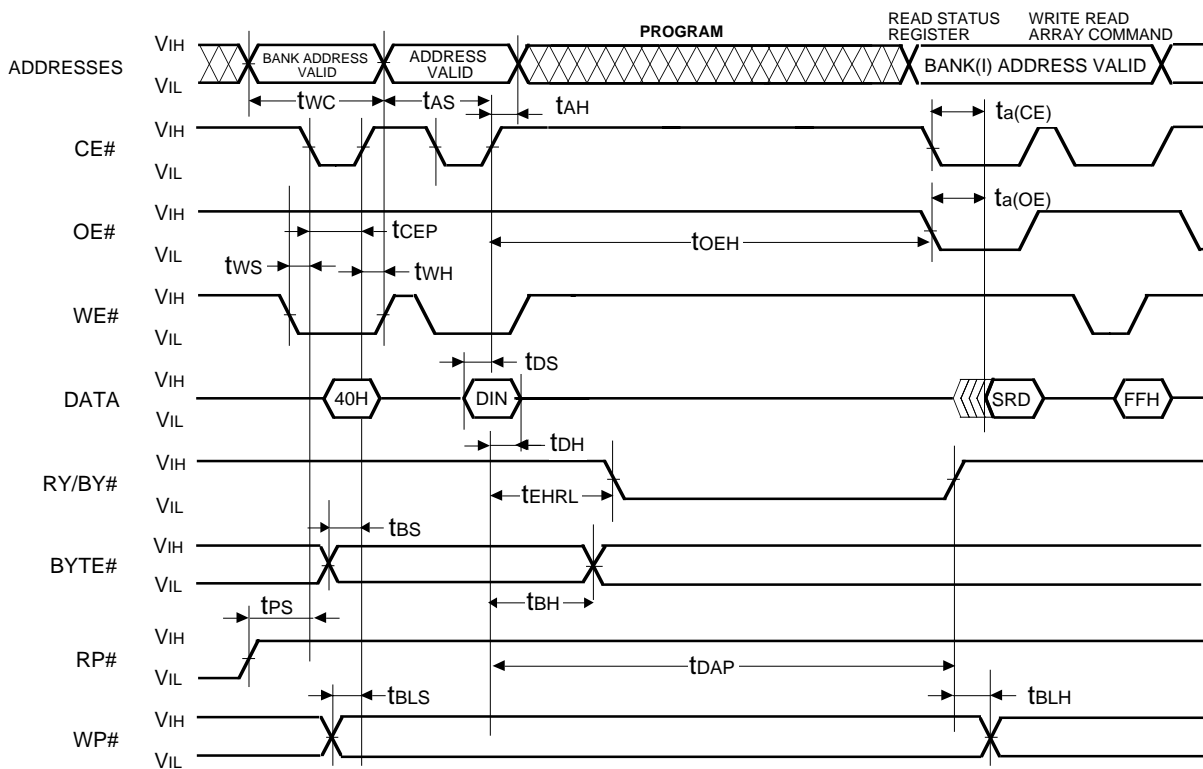
MITSUBISHI LSIs M5M29GB/T160BVP-80

16,777,216-BIT (2097,152-WORD BY 8-BIT / 1048,576-WORD BY16-BIT)
CMOS 3.3V-ONLY, BLOCK ERASE FLASH MEMORY

AC WAVEFORMS FOR BYTE / WORD PROGRAM OPERATION (WE# control) (to only BANK(I))



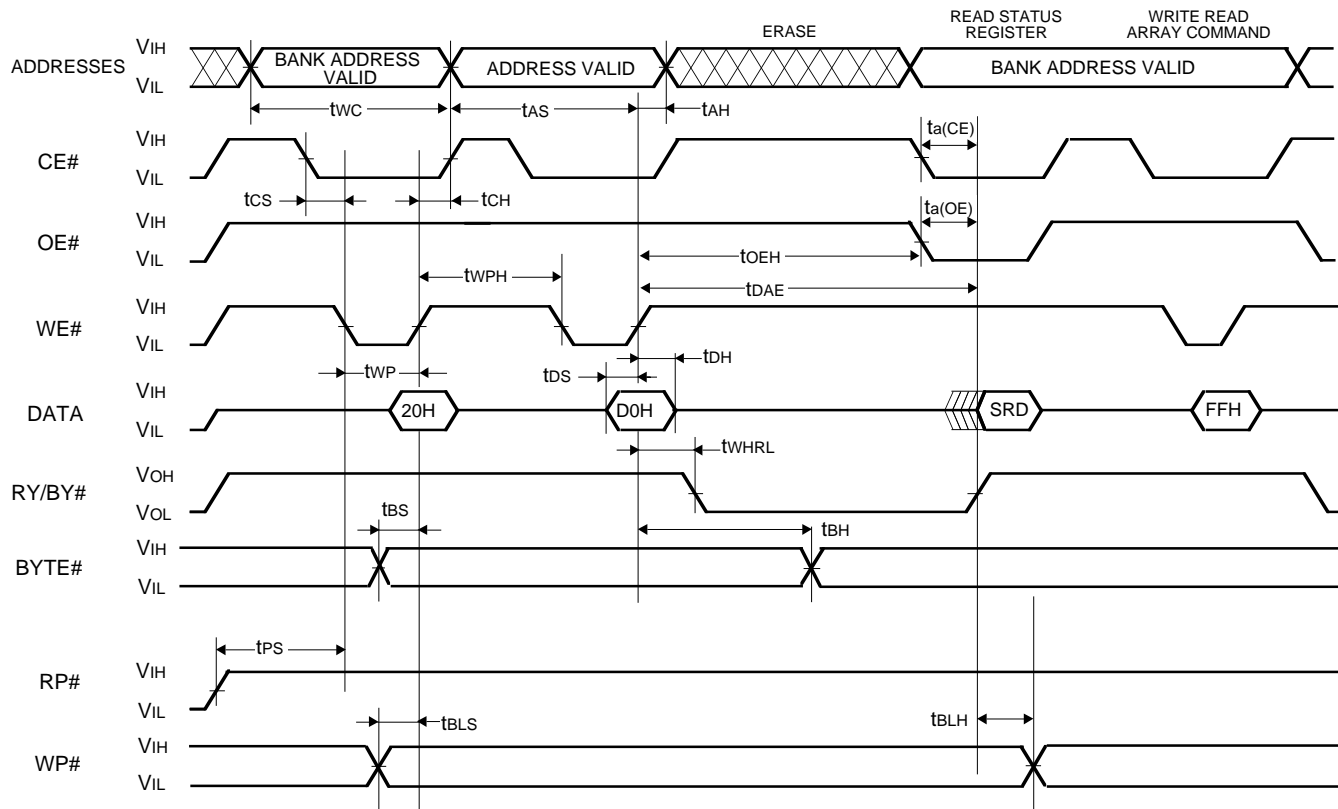
AC WAVEFORMS FOR BYTE / WORD PROGRAM OPERATION (CE# control) (to only BANK(I))



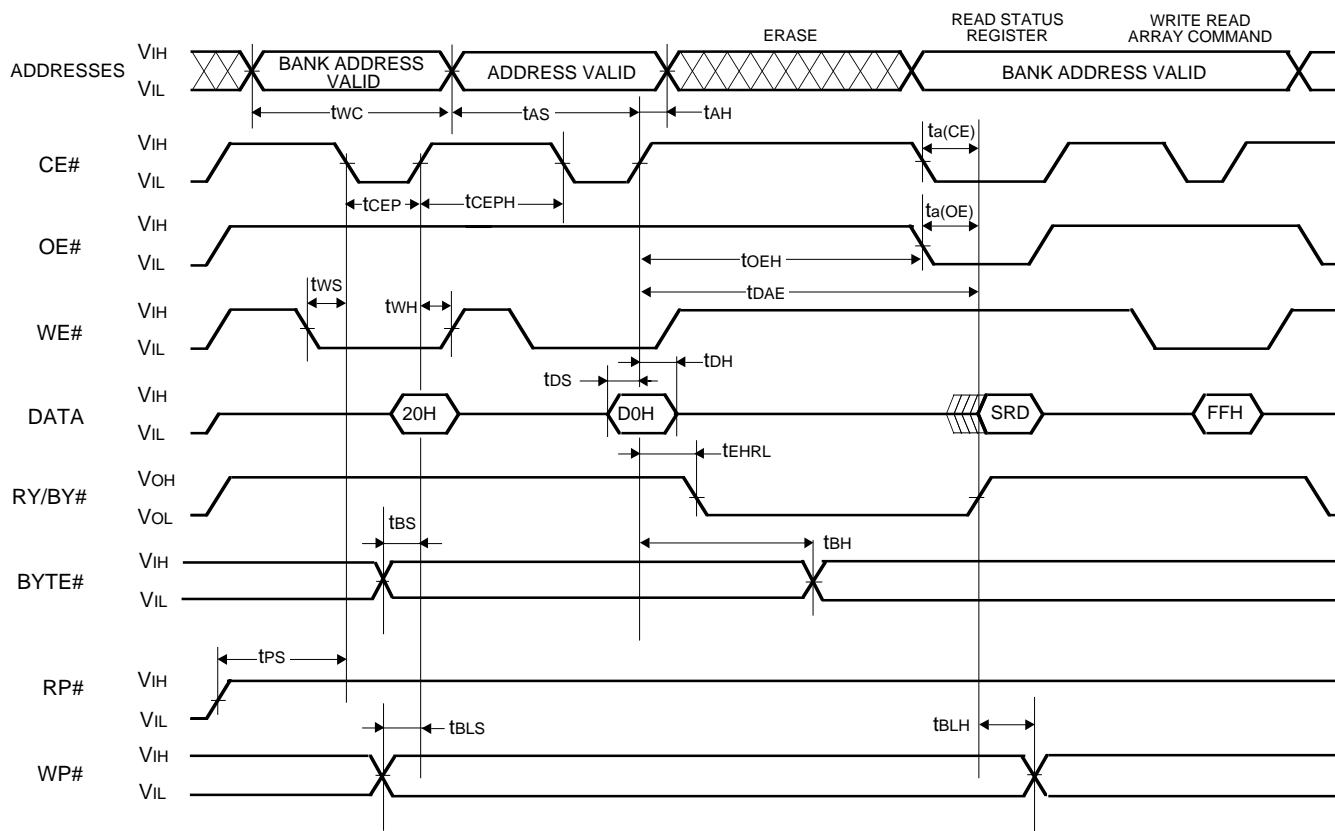
MITSUBISHI LSIs M5M29GB/T160BVP-80

16,777,216-BIT (2097,152-WORD BY 8-BIT / 1048,576-WORD BY16-BIT)
CMOS 3.3V-ONLY, BLOCK ERASE FLASH MEMORY

AC WAVEFORMS FOR ERASE OPERATIONS (WE# control)



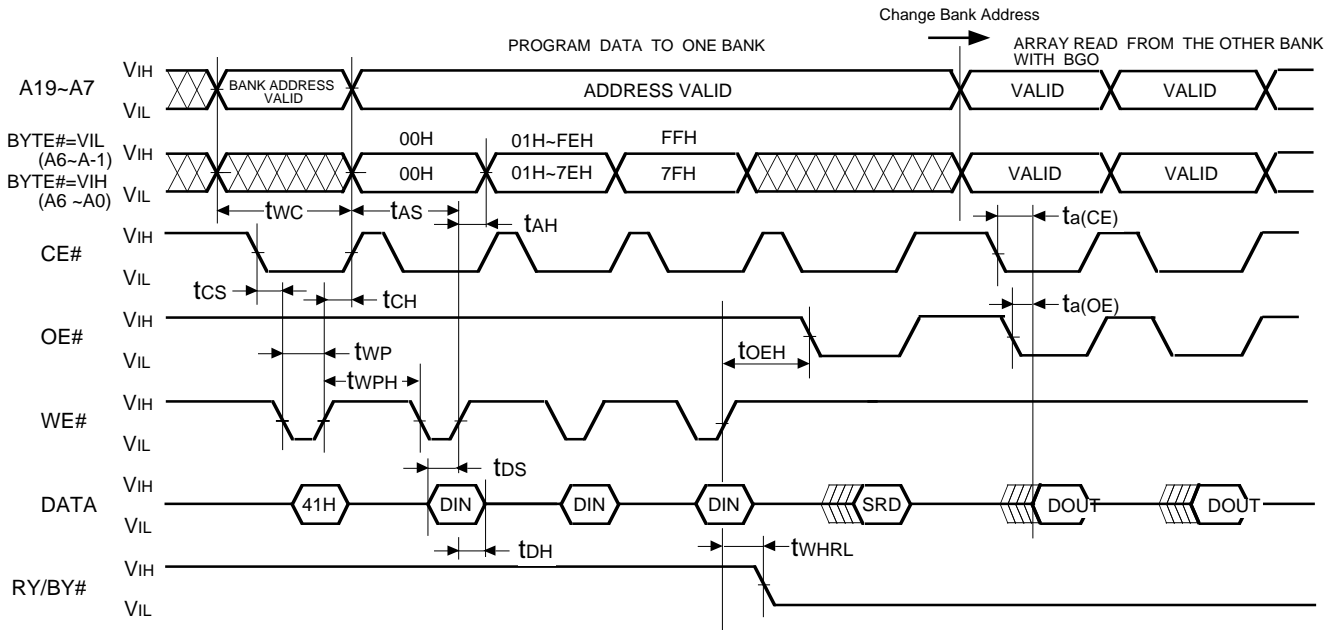
AC WAVEFORMS FOR ERASE OPERATIONS (CE# control)



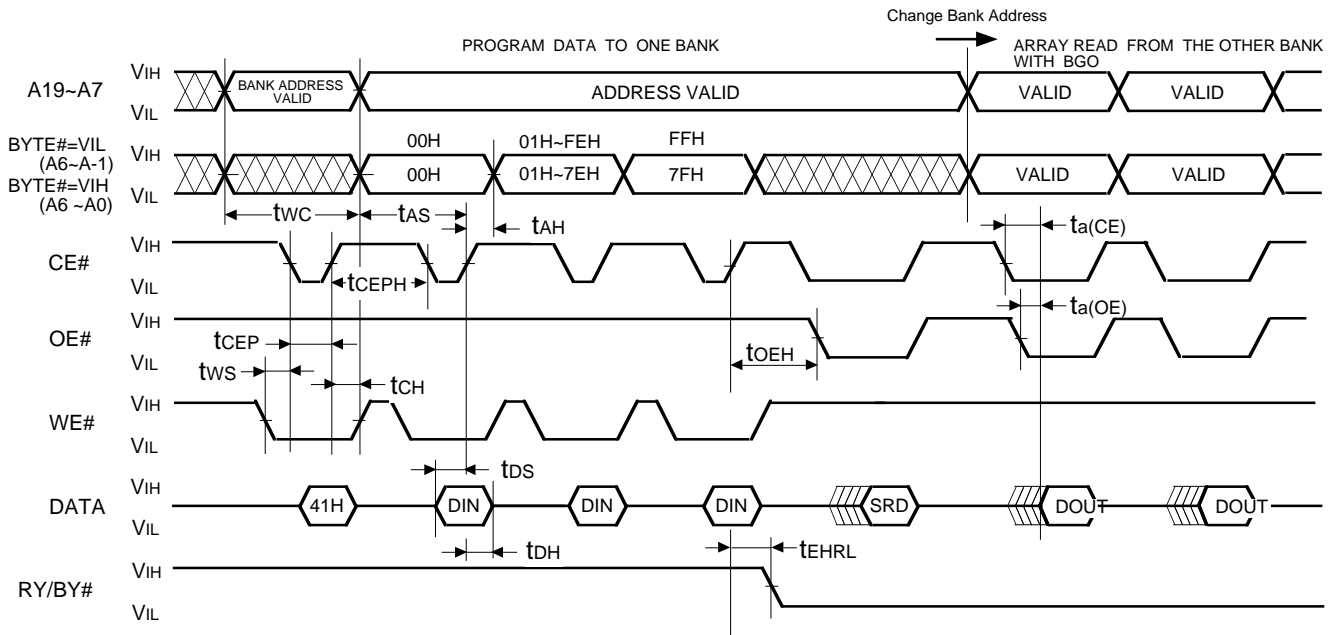
MITSUBISHI LSIs M5M29GB/T160BVP-80

16,777,216-BIT (2097,152-WORD BY 8-BIT / 1048,576-WORD BY16-BIT)
CMOS 3.3V-ONLY, BLOCK ERASE FLASH MEMORY

AC WAVEFORMS FOR PAGE PROGRAM OPERATION WITH BGO (WE# control)



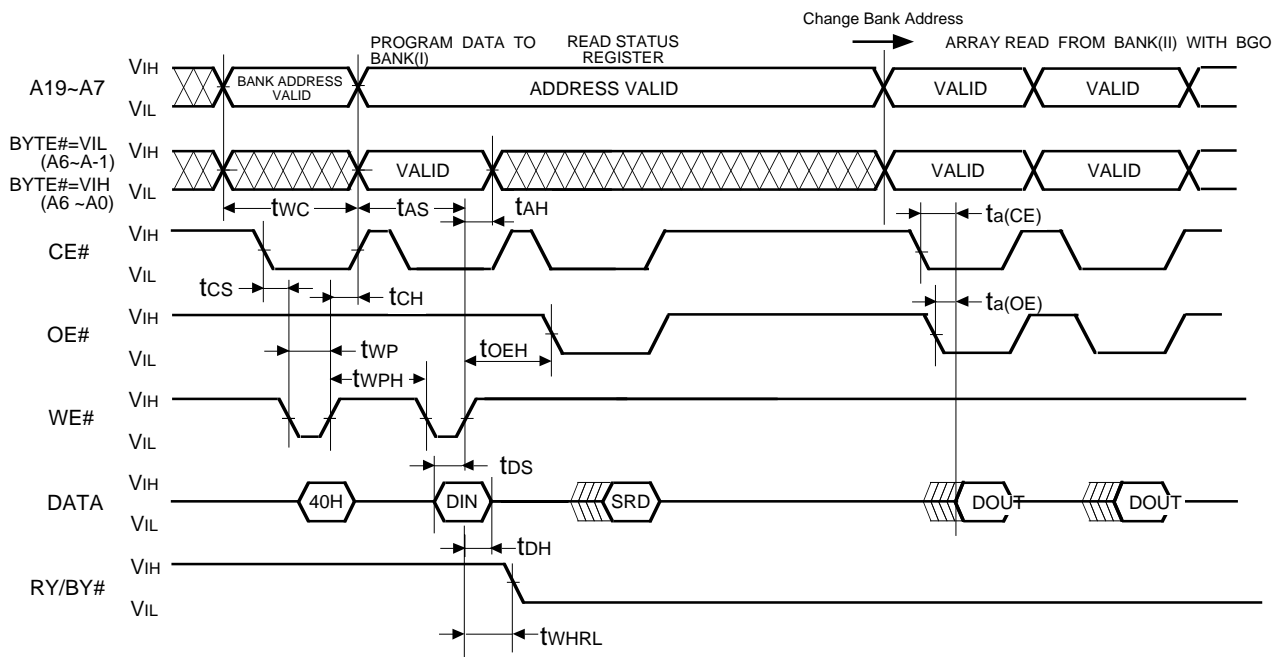
AC WAVEFORMS FOR PAGE PROGRAM OPERATION WITH BGO (CE# control)



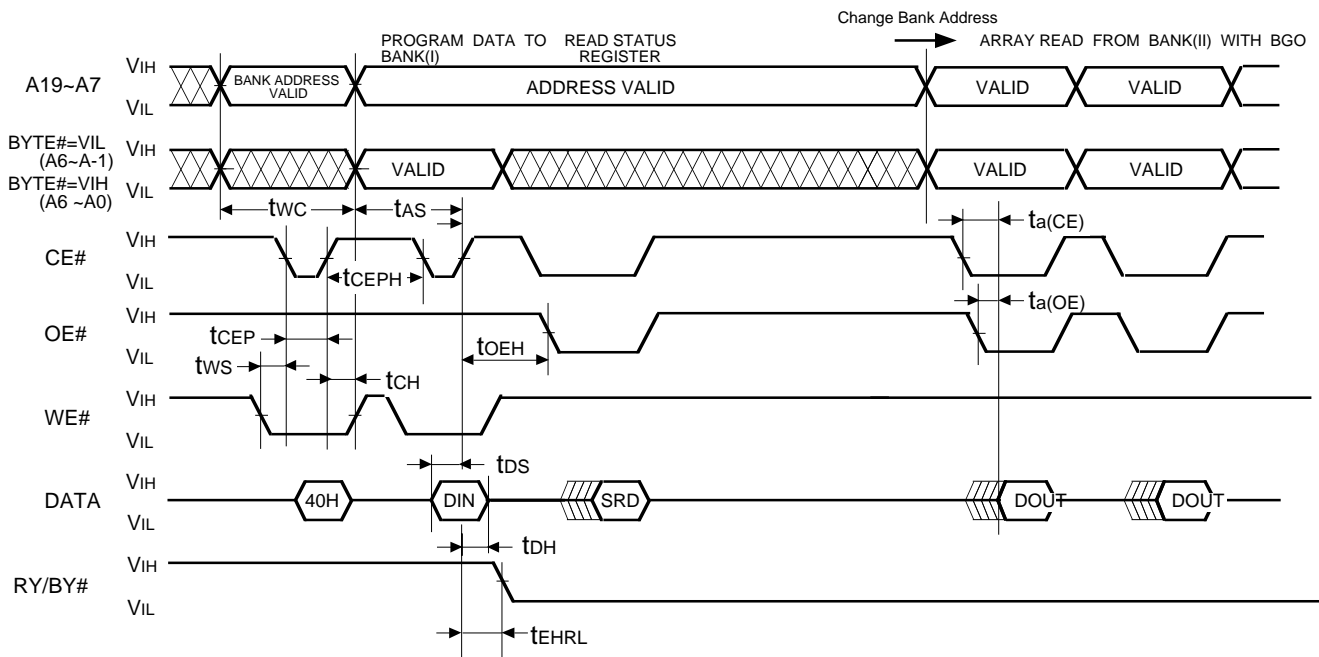
MITSUBISHI LSIs M5M29GB/T160BVP-80

16,777,216-BIT (2097,152-WORD BY 8-BIT / 1048,576-WORD BY16-BIT)
CMOS 3.3V-ONLY, BLOCK ERASE FLASH MEMORY

AC WAVEFORMS FOR BYTE / WORD PROGRAM OPERATION WITH BGO (WE# control)



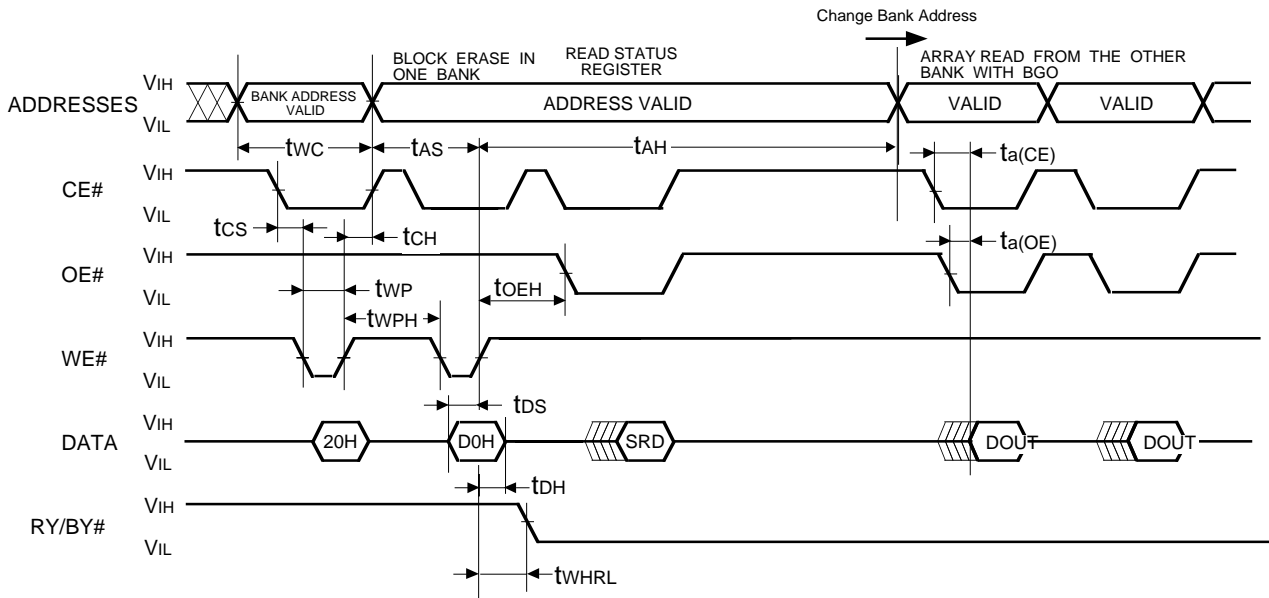
AC WAVEFORMS FOR BYTE / WORD PROGRAM OPERATION WITH BGO (CE# control)



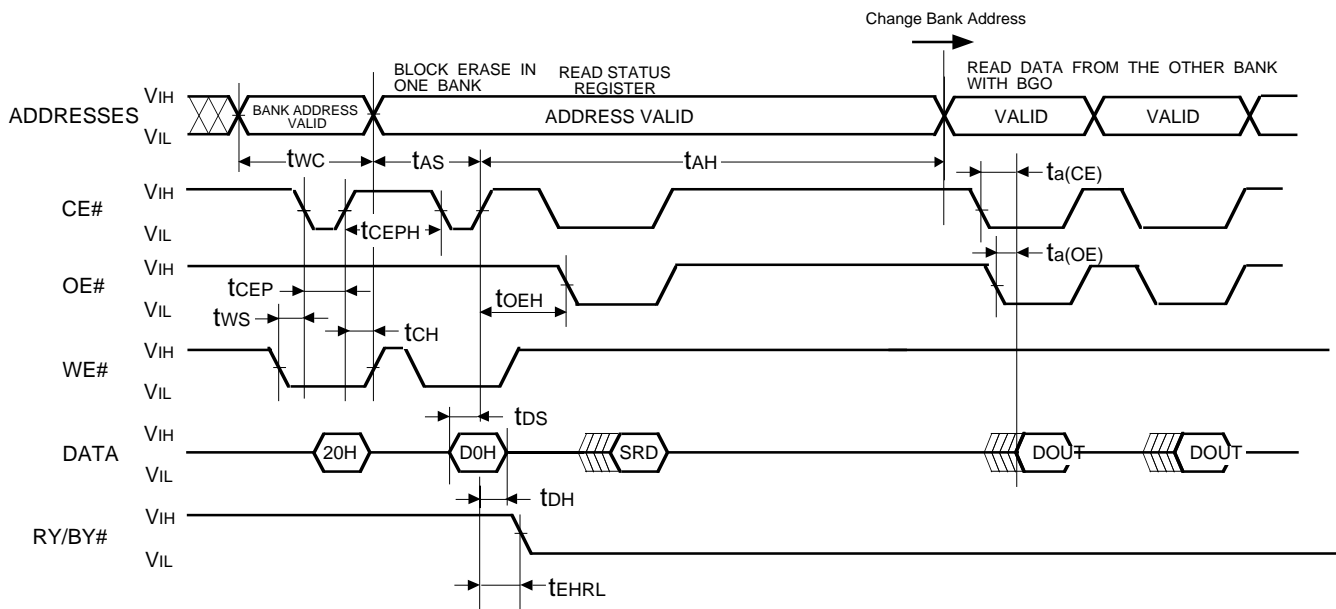
MITSUBISHI LSIs M5M29GB/T160BVP-80

16,777,216-BIT (2097,152-WORD BY 8-BIT / 1048,576-WORD BY16-BIT)
CMOS 3.3V-ONLY, BLOCK ERASE FLASH MEMORY

AC WAVEFORMS FOR BLOCK ERASE OPERATION WITH BGO (WE# control)



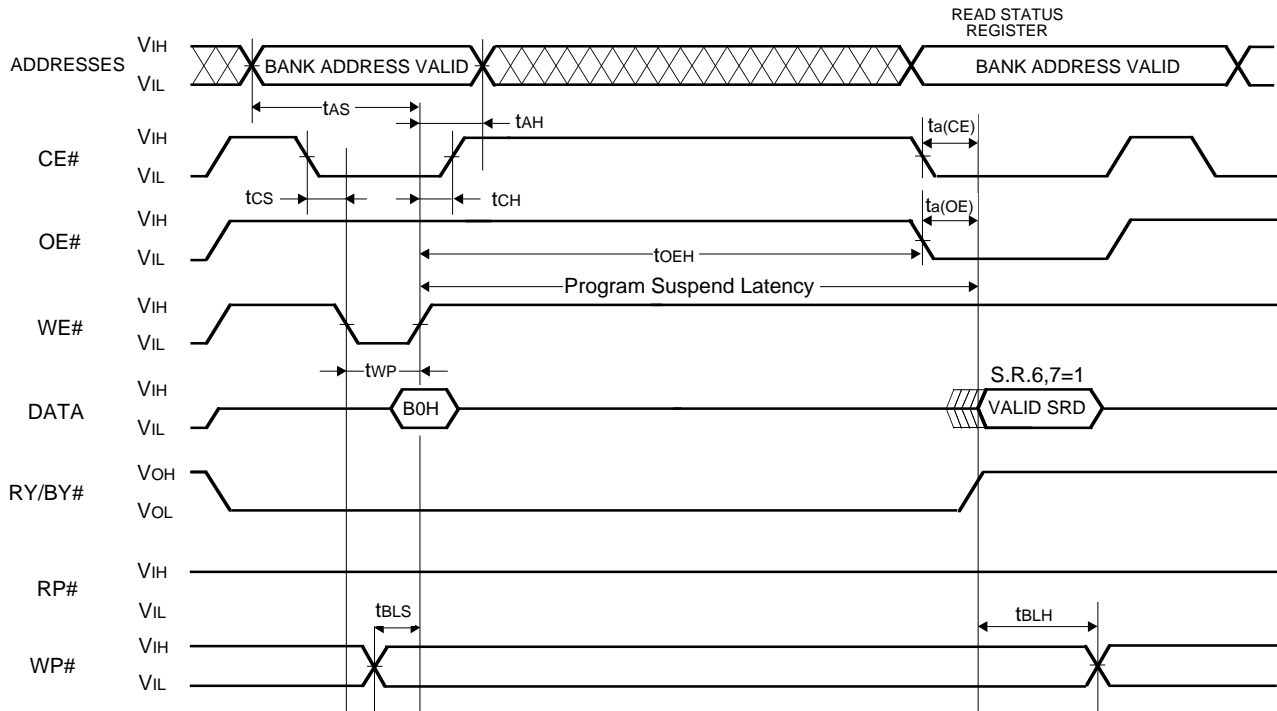
AC WAVEFORMS FOR BLOCK ERASE OPERATION WITH BGO (CE# control)



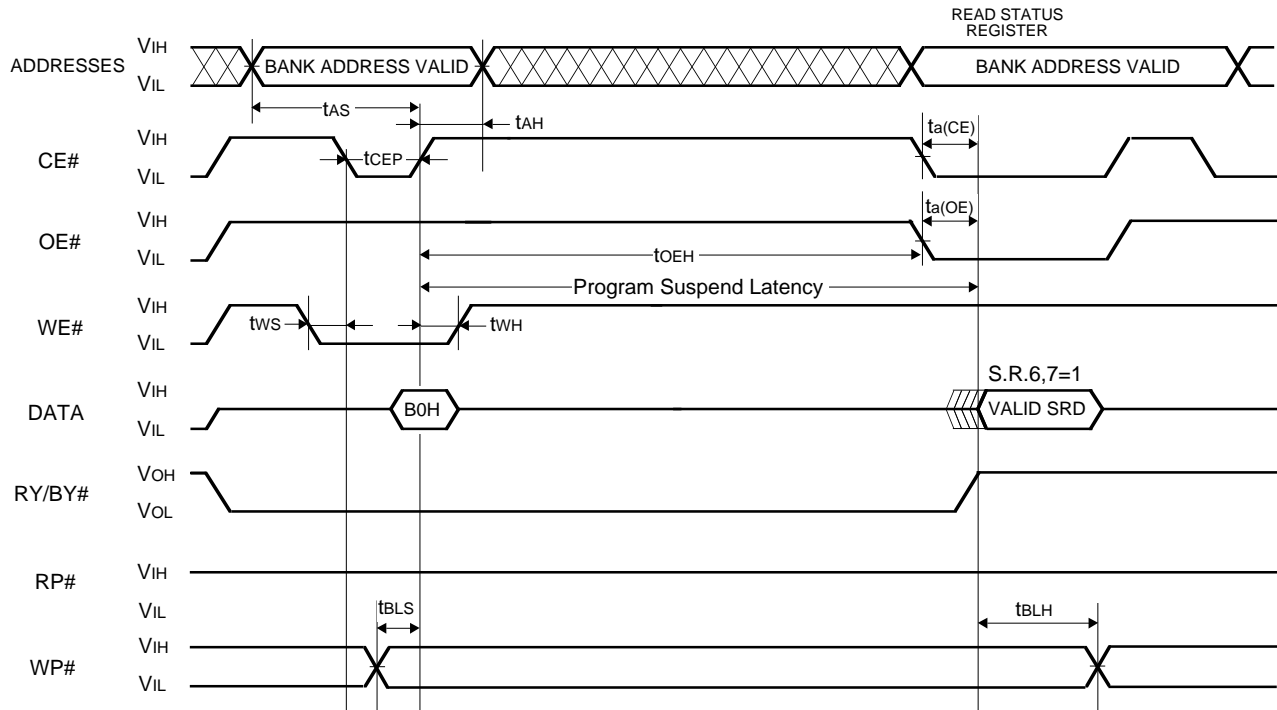
MITSUBISHI LSIs M5M29GB/T160BVP-80

16,777,216-BIT (2097,152-WORD BY 8-BIT / 1048,576-WORD BY16-BIT)
CMOS 3.3V-ONLY, BLOCK ERASE FLASH MEMORY

AC WAVEFORMS FOR SUSPEND OPERATION (WE# control)



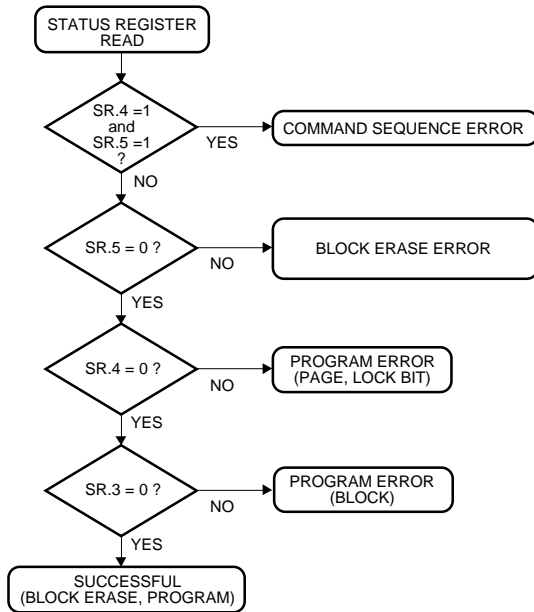
AC WAVEFORMS FOR SUSPEND OPERATION (CE# control)



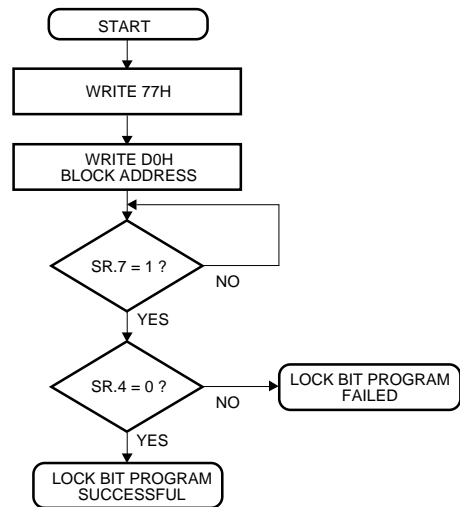
MITSUBISHI LSIs M5M29GB/T160BVP-80

16,777,216-BIT (2097,152-WORD BY 8-BIT / 1048,576-WORD BY16-BIT)
CMOS 3.3V-ONLY, BLOCK ERASE FLASH MEMORY

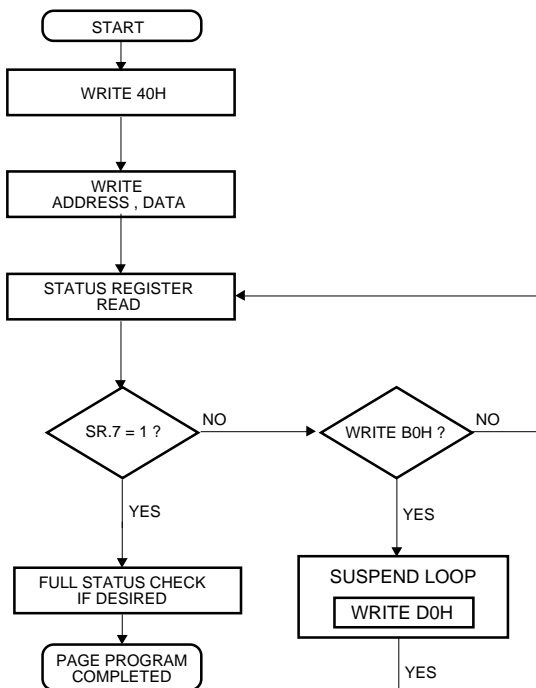
FULL STATUS CHECK PROCEDURE



LOCK BIT PROGRAM FLOW CHART

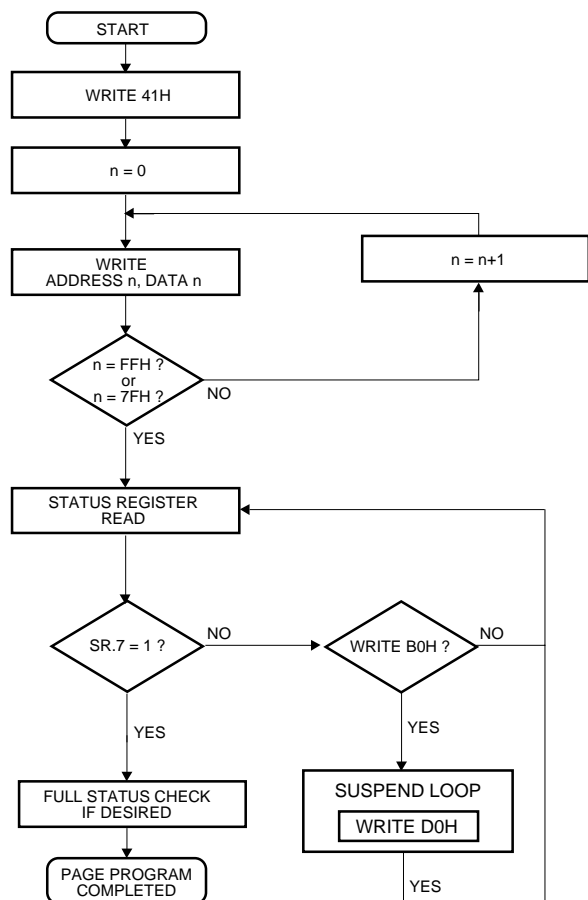


BYTE PROGRAM FLOW CHART



* Byte program is admitted to only BANK(I).

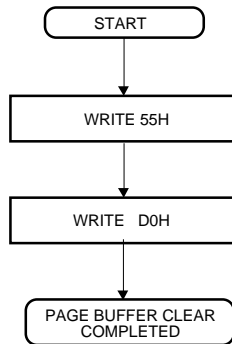
PAGE PROGRAM FLOW CHART



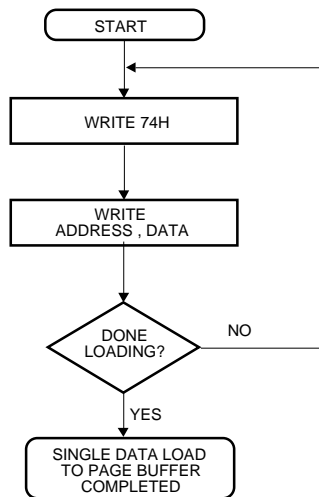
MITSUBISHI LSIs M5M29GB/T160BVP-80

16,777,216-BIT (2097,152-WORD BY 8-BIT / 1048,576-WORD BY16-BIT)
CMOS 3.3V-ONLY, BLOCK ERASE FLASH MEMORY

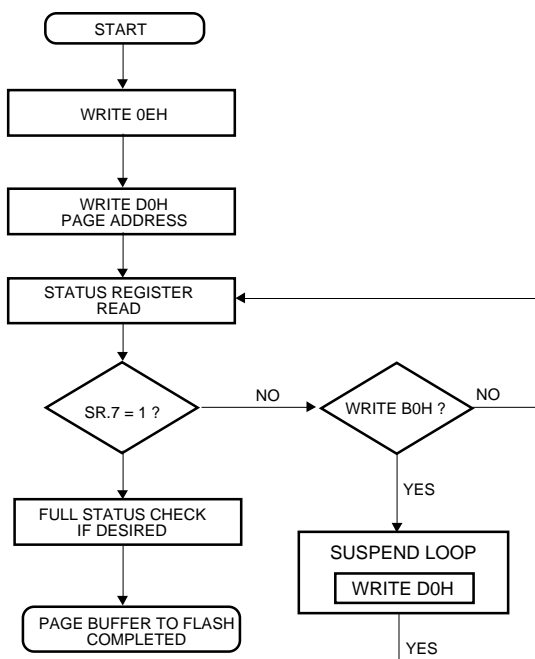
CLEAR PAGE BUFFER



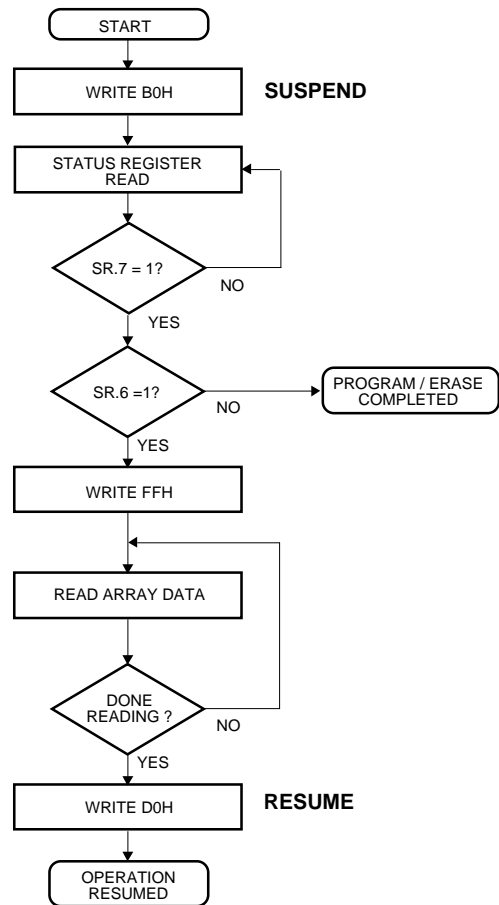
SINGLE DATA LOAD TO PAGE BUFFER



PAGE BUFFER TO FLASH

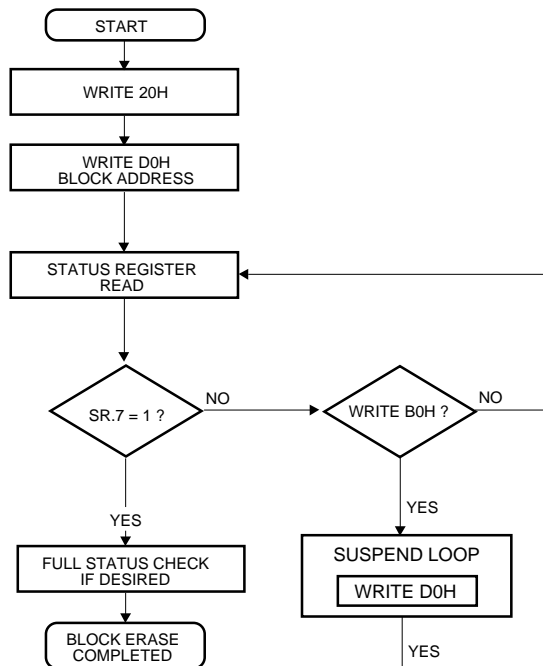


SUSPEND / RESUME FLOW CHART

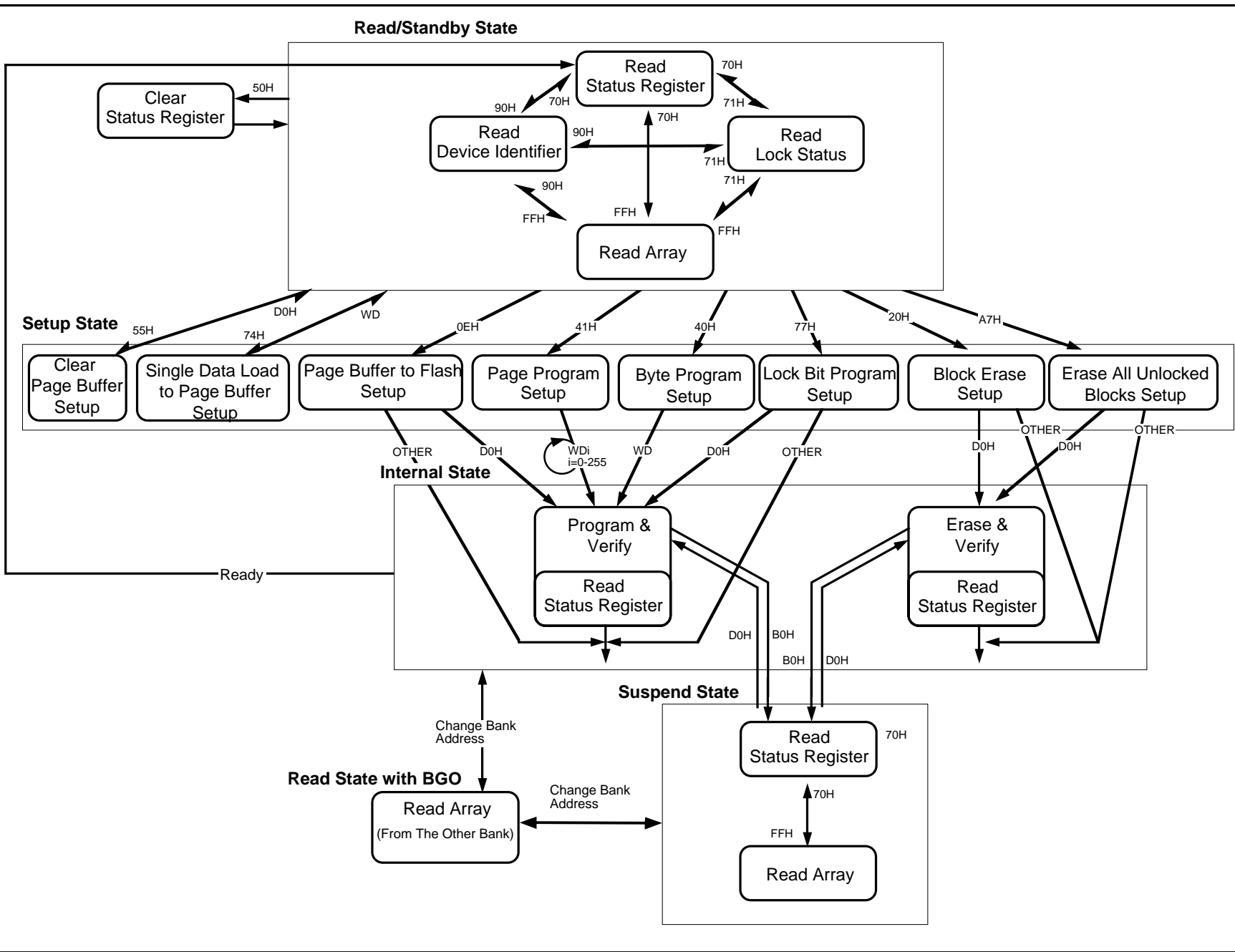


* The bank address is required when writing this command. Also, there is no need to suspend the erase or program operation when reading data from the other bank. Please use BGO function.

BLOCK ERASE FLOW CHART



OPERATION STATUS and EFFECTIVE COMMAND



MITSUBISHI LSIs M5M29GB/T160BVP-80

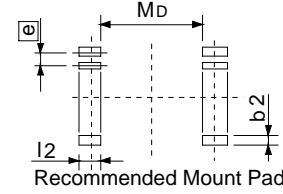
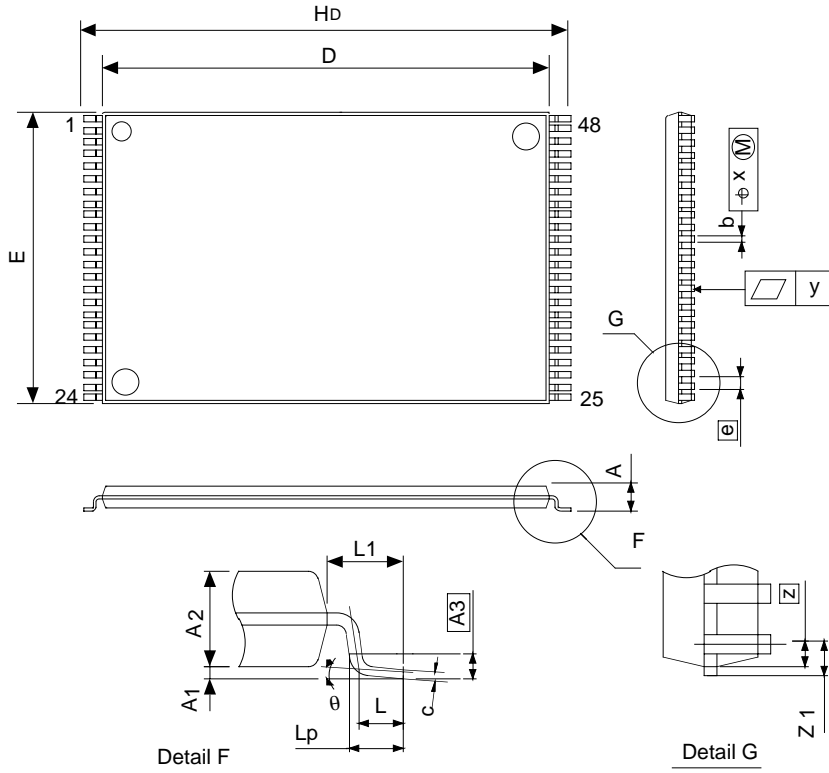
16,777,216-BIT (2097,152-WORD BY 8-BIT / 1048,576-WORD BY16-BIT)
CMOS 3.3V-ONLY, BLOCK ERASE FLASH MEMORY

PACKAGE DIMENSIONS 48P3E (48pin 12 x 20 mm TSOP(I))

48P3E-C

Plastic 48pin 12x20mm TSOP(I)

EIAJ Package Code	JEDEC Code	Weight(g)	Lead Material
TSOP I 48-P-1220-0.50	—	—	Cu Alloy



Symbol	Dimension in Millimeters		
	Min	Nom	Max
A	—	—	1.2
A1	0.05	0.125	0.2
A2	—	1.0	—
b	0.15	0.2	0.3
c	0.105	0.125	0.175
D	18.3	18.4	18.5
E	11.9	12.0	12.1
e	—	0.5	—
Hd	19.8	20.0	20.2
L	0.4	0.5	0.6
L1	—	0.8	—
Lp	0.45	0.6	0.75
A3	—	0.25	—
Z	—	0.25	—
Z1	—	—	0.4
x	—	—	0.1
y	—	—	0.1
θ	0°	—	10°
b2	—	0.225	—
l2	0.9	—	—
Md	—	18.6	—