

DESCRIPTION

The M61016F is a semiconductor integrated circuit designed to detect quantity of light and used for cameras and illuminometers. Because a high-sensitivity SPD sensor is built in this IC, it is possible not only to reduce the space and expenses to mount it but also to conduct wide-ranging detection of light volume.

FEATURES

- A 2-channel SPD sensor is built in.(1-channel for spot and one for average)
- Wide-ranging detection of light volume.
- One output pin (thermometer output and photometry output)
- Small-sized transparent molded plastic package.

APPLICATION

Automatic exposure control for cameras,illuminometers.

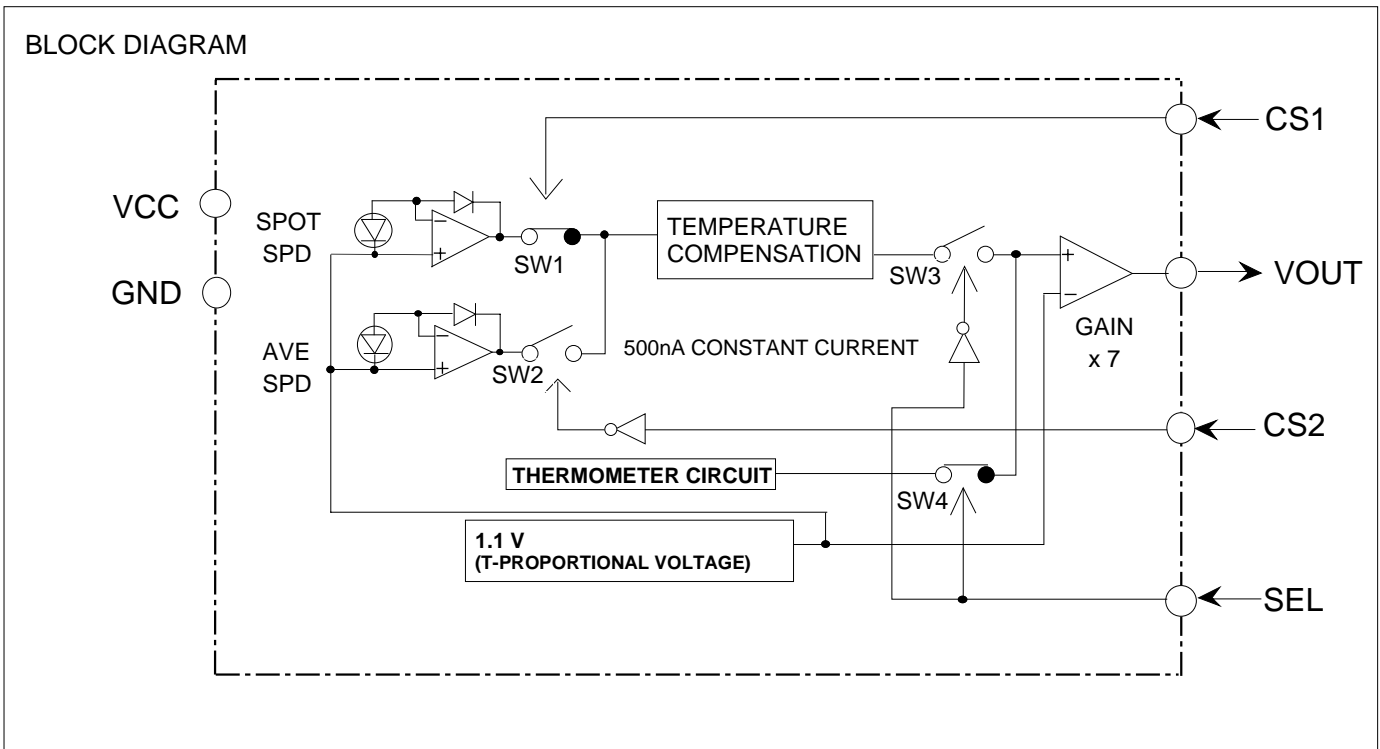
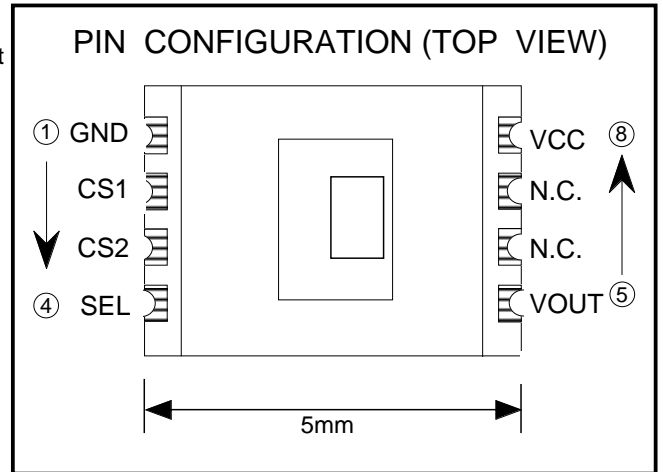
RECOMMENDED OPERATING CONDITION

Supply voltage range 4.0 to 6.5V

Rated supply voltage 5V

* Light input range SPOT 2 to 100000 lux
 AVE 0.125 to 12500 lux

* Decide after confirmation of real power



ABSOLUTE MAXIMUM RATINGS (Ta=25°C, unless otherwise noted)

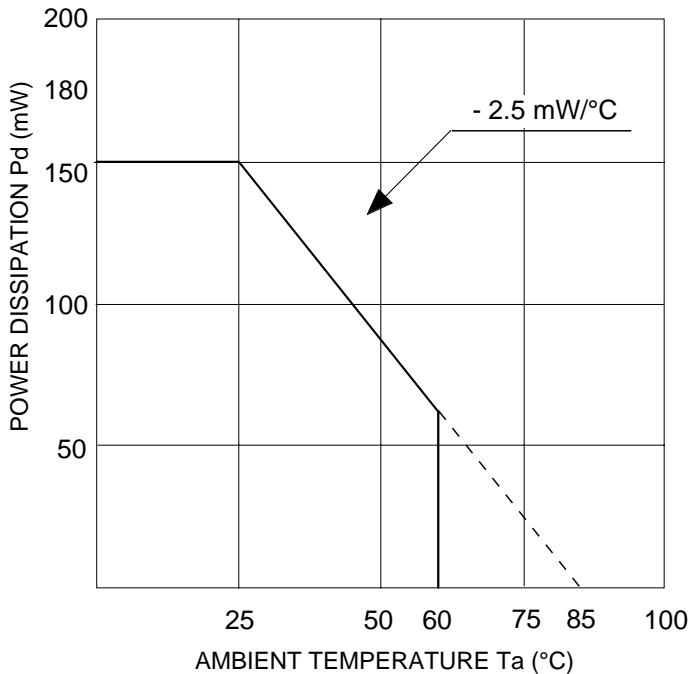
Symbol	Parameter	Conditions	Ratings	Unit
VCC	Supply voltage		-0.3 to 7.0	V
Pd	Power dissipation		150	mW
VIN	Input voltage		-0.3 to VCC+0.3	V
IO(max)	Output current	Pin VOUT	0.2	mA
Topr	Operating temperature		-10 to 50	°C
Tstg	Storage temperature		-30 to 85	°C
Kθ	Thermal derating		-2.5	mW/°C

RECOMMENDED OPERATING CONDITION (Ta=25°C, unless otherwise noted)

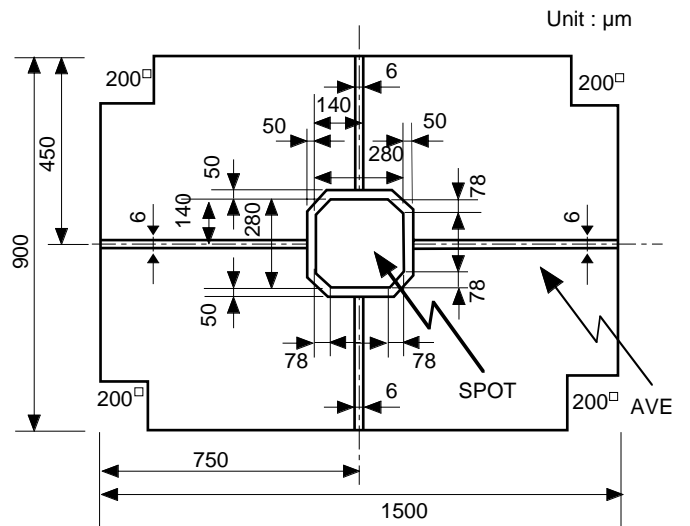
Symbol	Parameter	Test Conditions	Limits			Unit
			Min	Typ	Max	
VCC	Supply voltage		4.0	5.0	6.5	V
* Lopr1	Operating illuminance " SP "	2 to 100000				lux
* Lopr2	Operating illuminance " AVE "	0.125 to 12500				lux

* Decide after confirmation of real power

THERMAL DERATING (MAXIMUM RATING)



SENSOR FORM



Area ratio
SPOT : AVE = 1 : 16

BUILT-IN 2-CHANNEL SPD SENSOR DETECT AMOUNT OF LIGHT

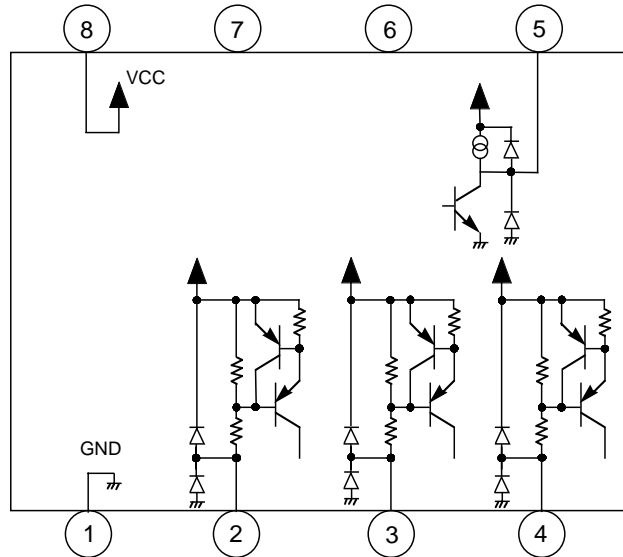
ELECTRICAL CHARACTERISTICS

(Ta=25°C, light source 4500°K, illuminance: measured after transmitting products through CM 500 filter, unless otherwise noted)

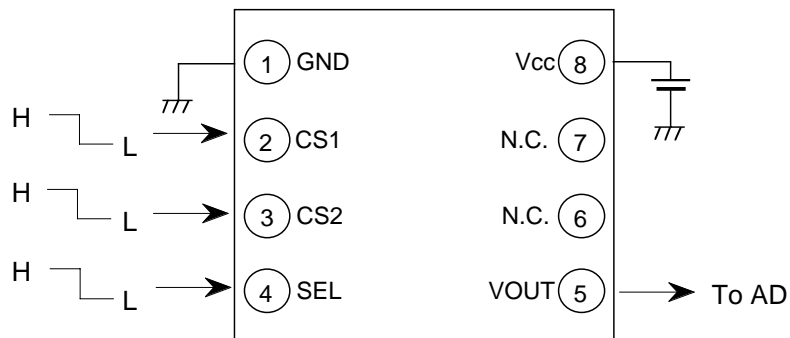
Block	Symbol	Parameter	Test Conditions	Limits			Unit
				Min	Typ	Max	
	ICC	Circuit current	illuminance: 200 lux	-	4	6	mA
I / F	VTHCS1	Threshold voltage 1	CS1 input pin	VCC-2.2	VCC-1.5	VCC-0.8	V
	CS1I	Ground current 1	Current of between CS1pin to GND VCC = 5V	-150	-50	-16	μA
	VTHCS2	Threshold voltage 2	CS2 input pin	VCC-2.2	VCC-1.5	VCC-0.8	V
	CS2I	Ground current 2	Current of between CS2pin to GND VCC = 5V	-150	-50	-16	μA
	VHSEL	Threshold voltage 3	SEL input pin	VCC-2.2	VCC-1.5	VCC-0.8	V
	SELI	Ground current 3	Current of between SELpin to GND VCC = 5V	-150	-50	-16	μA
Thermo-meter	VTE	Absolute value of thermometer output		960	1200	1440	mV
	dVTE1	Thermometer supply voltage variance 1	Output voltage variance at VCC=5V+1V	-45	-	45	
	dVTE2	Thermometer supply voltage variance 2	Output voltage variance at VCC=5V-1V	-45	-	45	
	dVTE3	Thermometer output voltage load variance	Load current : - 0.2mA	-20	-	20	
	dVTE4	Variance of thermometer output		-24.3	-22.1	-19.9	mV/°C
SPOT	VOS	Absolute value of photometry output	SP side , illuminance 8 lux	2120	2440	2760	mV
	dVOS1	Photometry output supply voltage variance 1	SP side ,Output voltage variance at VCC=5V+1V	-45	-	45	
	dVOS2	Photometry output supply voltage variance 2	SP side ,Output voltage variance at VCC=5V-1V	-45	-	45	
	dEVS1	Variance per level (1EV)	SP side ,Variance when illuminance changes from 8 to 32	-134	-125	-116	EV
	dEVS2	Photometry output linearity 1	SP side ,illuminance 4 to * lux	-0.3	-	0.3	
	dEVS3	Photometry output linearity 2	SP side ,illuminance 2 to 4 lux	-0.5	-	0.5	
AVE	VOA	Absolute value of photometry output	AVE side ,illuminance 8 lux	1680	1940	2200	mV
	dVOA1	Photometry output supply voltage variance 1	AVE side ,Output voltage variance at VCC=5V+1V	-45	-	45	
	dVOA2	Photometry output supply voltage variance 2	AVE side ,Output voltage variance at VCC=5V-1V	-45	-	45	
	dEVA1	Variance per level (1EV)	AVE side ,Variance when illuminance changes from 8 to 32	-134	-125	-116	EV
	dEVA2	Photometry output linearity 1	AVE side ,illuminance 0.25 to * lux	-0.3	-	0.3	
	dEVA3	Photometry output linearity 2	AVE side ,illuminance 0.125 to 0.25 lux	-0.5	-	0.5	
Response	trs	Power supply response 1	SP side , illuminance 2 lux	-	5	20	ms
	tra	Power supply response 2	AVE side , illuminance 0.5 lux	-	20	50	
	trc1	Switching response 1	SP→AVE , illuminance 0.125 to 12500 lux	-	10	3000	μS
	trc2	Switching response 2	AVE→SP , illuminance 2 to 100000 lux	-	10	3000	

* Decide after confirmation of real power

I/O SYSTEM

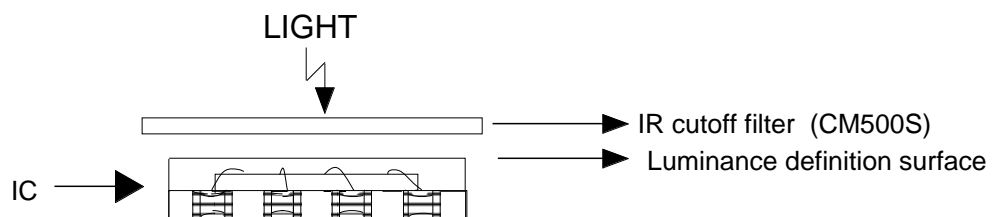


EXAMPLE



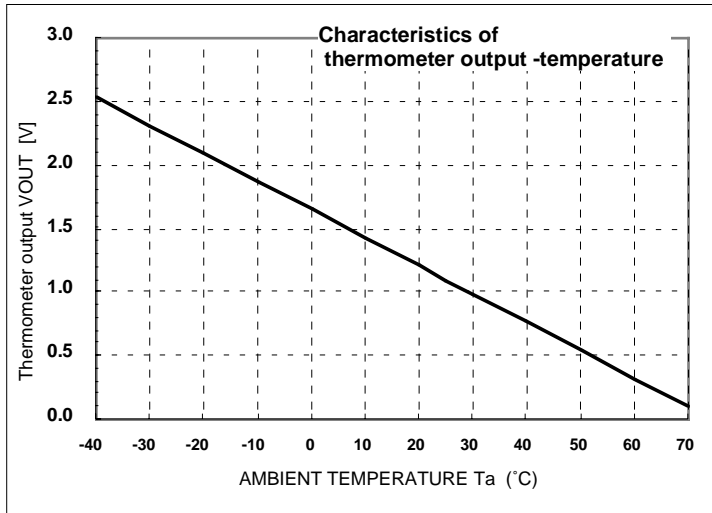
Light condition at electric characteristics

IR cutoff filter : CM500S(Glass filter)
 Light source color temperature : 4500°K



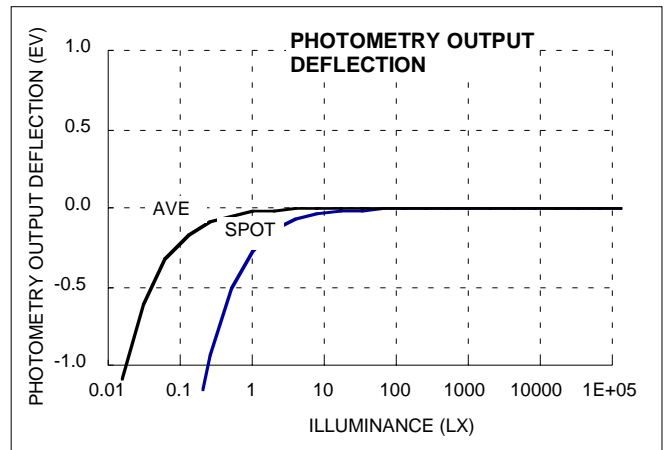
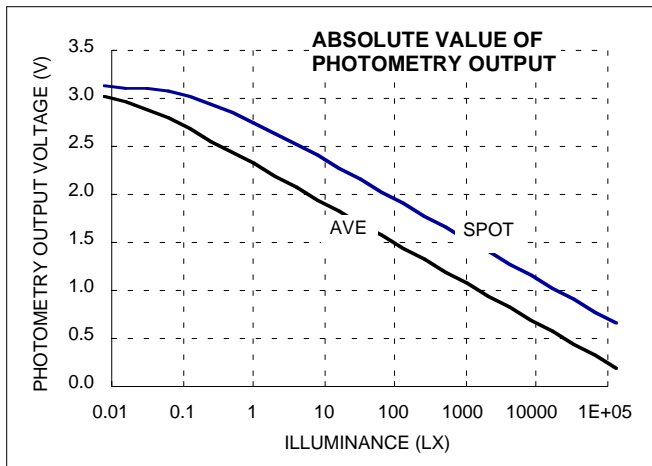
OUTPUT CHARACTERISTICS

THERMOMETER OUTPUT MODE



Absolute value
 $V_{out}=1.2V$ (at $T_a=25^{\circ}C$)
Slope
 $-22\text{ mV}/^{\circ}C$

PHOTOMETRY OUTPUT MODE



PHOTOMETRY OUTPUT VOLTAGE

- Photometry output voltage is proportioned to absolute temperature.
- Photometry output voltage is converted into 25°C.
- Ambient temperature : Ta (°K) Photometry output voltage at ambient temperature: set VO

Conversion formula

$$\text{Photometry output voltage of conversion at } 25^{\circ}\text{C} = \frac{V_o}{T_a} \times 298^{\circ}\text{K}$$

Conversion error range $\pm 0.4\text{EV}$ (-15 to 40°C)

—Note regarding these materials—

- These materials are intended as reference to assist our customers in the selection of the Mitsubishi semiconductor product best suited to the customer's application; they do not convey any license under any intellectual property rights, or any other rights, belonging to Mitsubishi Electric Corporation or a third party.
- Mitsubishi Electric Corporation assumes no responsibility for any damage, or infringement of any third-party's right, originating in the use of any product data, diagrams, charts of circuit application examples contained in these materials.
- All information contained in these materials, including product data, diagrams and charts, represent information on products at the time of publication of these materials, and are subject to change by Mitsubishi Electric Corporation without notice due to product improvements or other reasons. It is therefore recommended that customers contact Mitsubishi Electric Corporation or an authorized Mitsubishi Semiconductor product distributor for the latest product information before purchasing a product listed herein.
- Mitsubishi Electric Corporation semiconductors are not designed or manufactured for use in a device or system that is used under circumstances in which human life is potentially at stake. Please contact Mitsubishi Electric Corporation or an authorized Mitsubishi Semiconductor product distributor when considering the use of a product contained herein for special applications, such as apparatus or systems for transportation, vehicular, medical, aerospace, nuclear repeater use.
- The prior written approval of Mitsubishi Electric Corporation is necessary to reprint or reproduce in whole or in part these materials.
- If these products or technologies are subject to the Japanese export control restrictions, they must be exported under license from the Japanese government and cannot be imported into a country other than the approved destination. Any diversion or reexport contrary to the export control laws and regulations of Japan and/or the country of destination is prohibited.
- Please contact Mitsubishi Electric Corporation or an authorized Mitsubishi Semiconductor product distributor for further details on these materials or the products contained therein.