

AUDIO SIGNAL PROCESSOR WITH REC/PLAY BACK AMPLIFIER

DESCRIPTION

The M61518FP is an audio signal processor suitable for the mini component system with the cassette tape. The circuit includes Selector for selecting input source, REC/Play back amp., Tone control and 2ch Electronic Volume.

FEATURES

- Input Selector
Built-in 3Input selector + Tape Input
- Play Back Amp.
Built-in Low noise P.B Amp
- REC Amp.
Built-in Low noise REC Amp (Mute function built-in)
- Tone Control
Bass/Mid/Treble -10 to +10dB/2dBstep
- Electronic Volume with high voltage transistor
0 to -86dB, -∞dB
(Input Vol : 0 to -70dB, -∞dB)
(Output Vol : +18 to +2dB)



Outline 36P2R-D
0.8mm Pitch SSOP
(8.4mm × 15.0mm × 2.0mm)

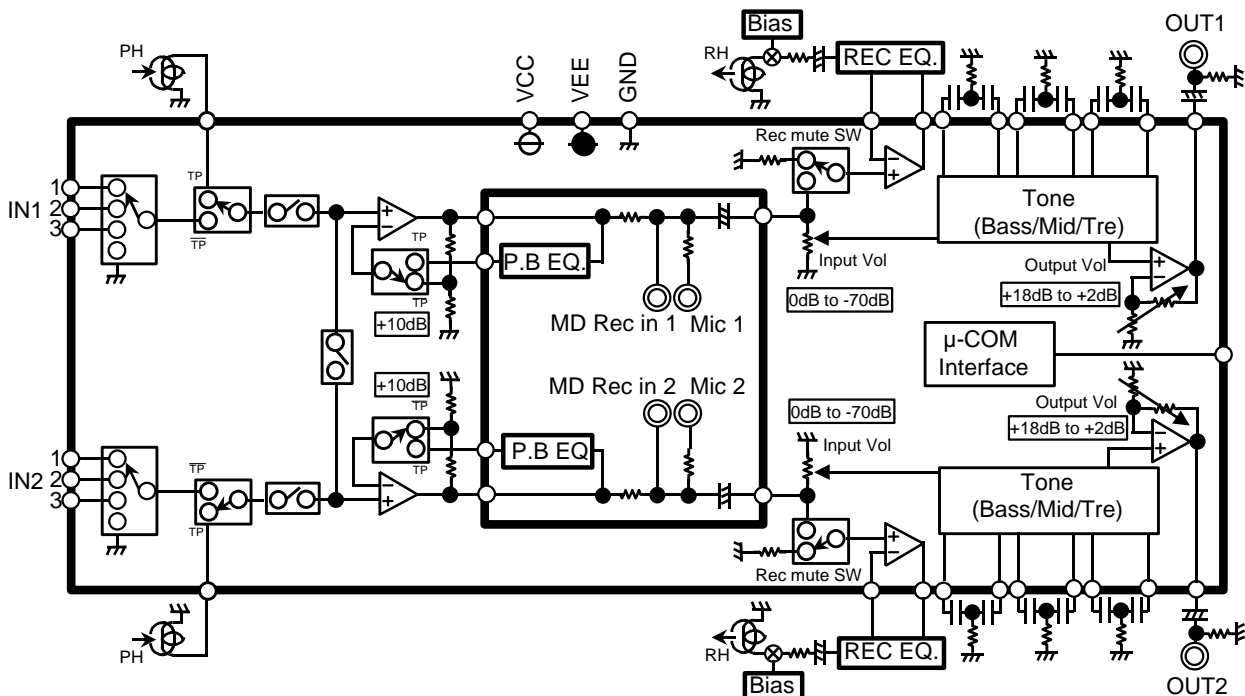
APPLICATION

Mini Stereo, Receiver, etc.

RECOMMENDED OPERATING CONDITIONS

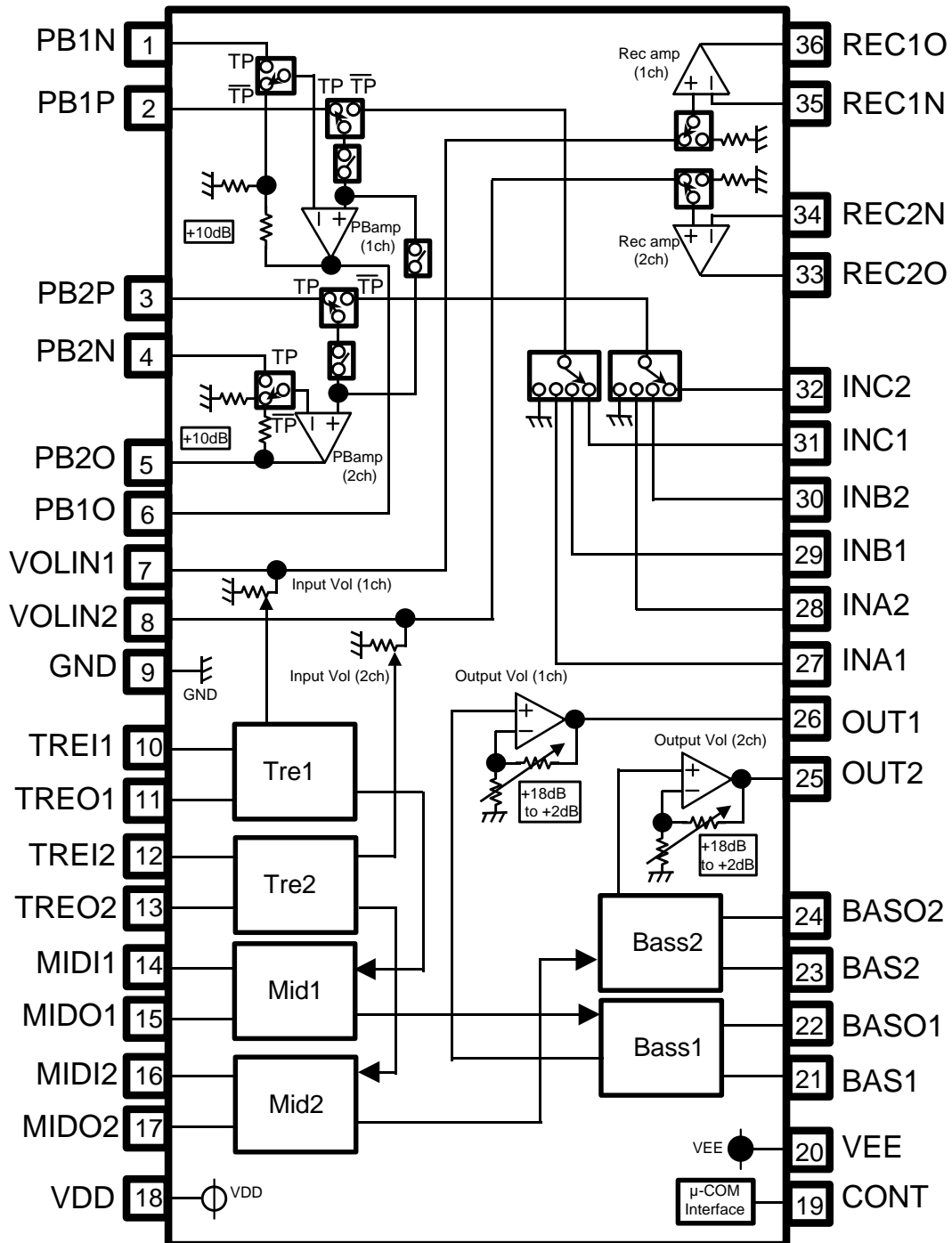
Recommended supply voltage..... VCC=4.5V(typ) , VEE=-4.5V(typ)

SYSTEM BLOCK DIAGRAM



AUDIO SIGNAL PROCESSOR WITH REC/PLAY BACK AMPLIFIER

BLOCK DIAGRAM AND PIN CONFIGURATION(TOP VIEW)



www.DataSheet4U.com

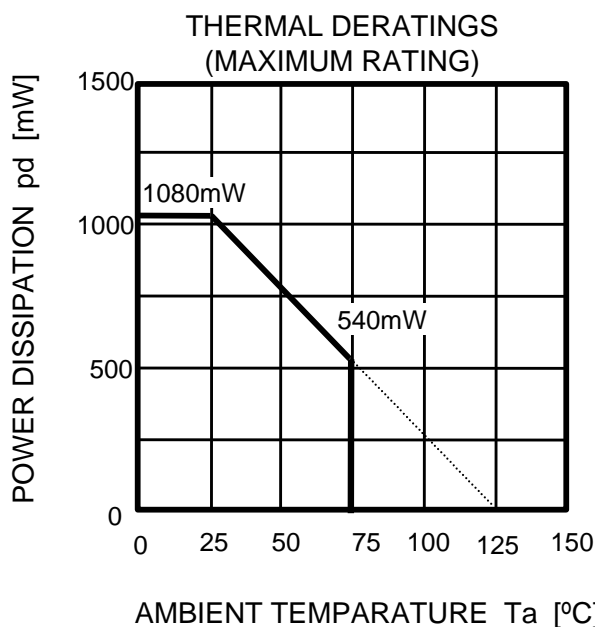
AUDIO SIGNAL PROCESSOR WITH REC/PLAY BACK AMPLIFIER**PIN DESCRIPTION**

PIN No.	Name	Function
1,4	PB1N,PB2N	Input pin of PB amp(Negative)
2,3	PB1P,PB2P	Input pin of PB amp(Positive)
5,6	PB1O,PB2O	Output PIN of PB amp
7,8	VOLIN1, VOLIN2	Input PIN of volume
9	GND	GND PIN
10,11,12,13	TREI,TREO	Frequency setting pin in the tone control(Tre)
14,15,16,17	MIDI,MIDO	Frequency setting pin in the tone control(Mid)
18	VDD	Positive power supply
19	CONT	Microcomputer data Input PIN
20	VEE	Negative supply PIN
21,22,23,24	BASI,BASO	Frequency setting pin in the tone control(Bass)
25,26	OUT1, OUT2	Output PIN
27,28	INA1, INA2	Selector A Input PIN
29,30	INB1, INB2	Selector B Input PIN
31,32	INC1, INC2	Selector C Input PIN
33,34	REC1O, REC2O	Output PIN of REC amp
35,36	REC1N, REC2N	Input PIN of REC amp

AUDIO SIGNAL PROCESSOR WITH REC/PLAY BACK AMPLIFIER

ABSOLUTE MAXIMUM RATINGS

Symbol	Parameter	Condition	Ratings	Unit
VDD-VEE	Plus and minus power supply difference		+10.5	V
Pd	Power dissipation	Ta≤25°C	1080	mW
K	Thermal derating	Ta>25°C (*1) Circuit board	10.8	mW/°C
Topr	Operating temperature		-20 to +75	°C
Tstg	Storage temperature		-40 to +125	°C



(*1) Circuit board

Print circuit board size

70mm X70mm

Print circuit board thickness

1.6mm

Print circuit board quality of the material

Glass epoxy

Single Cu pattern

Thickness of Cu

18µm

pattern size of Cu

0.25mm(Width) ×25mm(Length)/Lead

RECOMMENDED OPERATING CONDITIONS

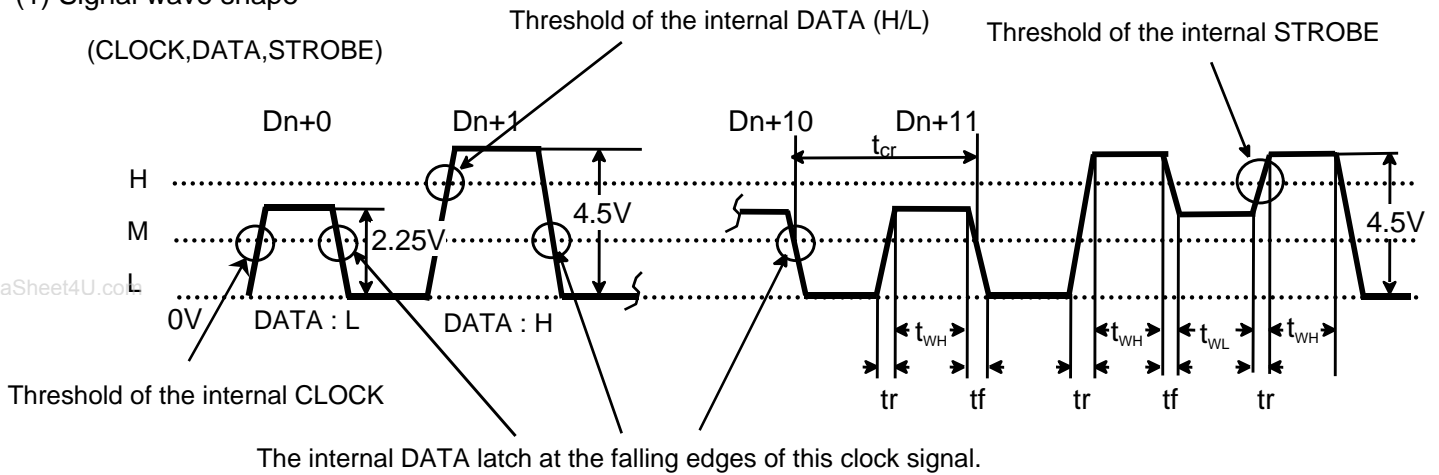
(Ta=25°C unless otherwise noted)

Parameter	Symbol	Condition	Range			Unit
			MIN	TYP	MAX	
Positive supply voltage	VDD		4.25	4.5	4.75	V
Negative supply voltage	VEE		-4.75	-4.5	-4.25	V

AUDIO SIGNAL PROCESSOR WITH REC/PLAY BACK AMPLIFIER

SERIAL DATA CONTROL FORMAT

(1) Signal wave shape



(2) Control signal voltage regulation

Digital signal		Condition	Limits			Unit
			MIN	TYP	MAX	
L signal	L	VDD=4.5V, VEE=-4.5V	GND	—	0.2×VDD	V
M signal	M	VDD=4.5V, VEE=-4.5V	0.3×VDD	0.5×VDD	0.7×VDD	
H signal	H	VDD=4.5V, VEE=-4.5V	0.8×VDD	—	VDD	

(3) Control signal timing regulation

Symbol	Parameter	Limits			Unit
		Min	typ	Max	
t_{cr}	Cycle time of the digital signal	4	—	—	μs
t_{WH}	Pulse width of the digital signal("H"level)	1.6	—	—	
t_{WL}	Pulse width of the digital signal("L"level)	1.6	—	—	
t_r	Rising time of digital signal	—	—	0.4	
t_f	Falling time of digital signal	—	—	0.4	

AUDIO SIGNAL PROCESSOR WITH REC/PLAY BACK AMPLIFIER

DATA CONTROL SPECIFICATION

(1) Data input address

*note1: The interval of data transmission from the micro controller is over 0.1sec. This is waiting time for soft-switching to reduce the shock noise.

*note2: Input only the control data at slot0 (slot1).

(MSB) ← Input direction

D140	D130	D120	D110	D100	D90	D80	D70	D60	D50	D40	D30	D20	D10	D00	slot0
Selector		Karaoke		Input volume				Output volume			0				

D141	D131	D121	D111	D101	D91	D81	D71	D61	D51	D41	D31	D21	D11	D01	slot1
Tone control Bass		Tone control Mid			Tone control Treble			REC Mute	0		1				

Output volume control

	D40	D30	D20	D10
+18dB	0	0	0	0
+16dB	0	0	0	1
+14dB	0	0	1	0
+12dB	0	0	1	1
+10dB	0	1	0	0
+8dB	0	1	0	1
+6dB	0	1	1	0
+4dB	0	1	1	1
+2dB	1	0	0	0

Note: Do not input other data than the above.

Input volume control

	D90	D80	D70	D60	D50
0dB	0	0	0	0	0
-2dB	0	0	0	0	1
-4dB	0	0	0	1	0
-6dB	0	0	0	1	1
-8dB	0	0	1	0	0
-10dB	0	0	1	0	1
-12dB	0	0	1	1	0
-14dB	0	0	1	1	1
-16dB	0	1	0	0	0
-18dB	0	1	0	0	1
-20dB	0	1	0	1	0
-22dB	0	1	0	1	1
-26dB	0	1	1	0	0
-30dB	0	1	1	0	1
-34dB	0	1	1	1	0
-38dB	0	1	1	1	1
-42dB	1	0	0	0	0
-46dB	1	0	0	0	1
-50dB	1	0	0	1	0
-54dB	1	0	0	1	1
-58dB	1	0	1	0	0
-62dB	1	0	1	0	1
-66dB	1	0	1	1	0
-70dB	1	0	1	1	1
-∞dB	1	1	1	1	1

Note: Do not input other data than the above.

Karaoke control

	D110	D100
Stereo	0	0
Mono1	0	1
Mono2	1	0
Mono1+2	1	1

Initial setting

Selector control

Selector	D140	D130	D120
TP	0	0	0
IN A	0	0	1
IN C	0	1	0
IN B	0	1	1
IN mute	1	1	1
Supply OFF	1	1	0

Note: Do not input other data than the above.

REC mute control

REC MUTE	D21
OFF	0
ON	1

Tone control

Bass	D141	D131	D121	D111
Mid	D101	D91	D81	D71
Treble	D61	D51	D41	D31
+10dB	0	1	0	1
+8dB	0	1	0	0
+6dB	0	0	1	1
+4dB	0	0	1	0
+2dB	0	0	0	1
0dB	0	0	0	0
-2dB	1	0	0	1
-4dB	1	0	1	0
-6dB	1	0	1	1
-8dB	1	1	0	0
-10dB	1	1	0	1

Note: Do not input other data than the above.

AUDIO SIGNAL PROCESSOR WITH REC/PLAY BACK AMPLIFIER

POWER OFF SETTING DATA

It's necessary to set up the Power off setting data when power off before 0.1 sec.
 Power off setting data reduce the power off shock noise.

Power off setting data

(MSB) ← Input direction

D140	D130	D120	D110	D100	D90	D80	D70	D60	D50	D40	D30	D20	D10	D00	slot0
1	1	0	*		1	1	1	1	1		*			0	
Selector			Karaoke		Input volume(-∞dB)					Output volume					

Selector control

Selector	D140	D130	D120
TP	0	0	0
IN A	0	0	1
IN C	0	1	0
IN B	0	1	1
IN mute	1	1	1
Supply off	1	1	0

- * Karaoke is same data before the Power off setting.
- * Output volume is same data before the Power off setting.

Note: Do not input other data than the above.

AUDIO SIGNAL PROCESSOR WITH REC/PLAY BACK AMPLIFIER

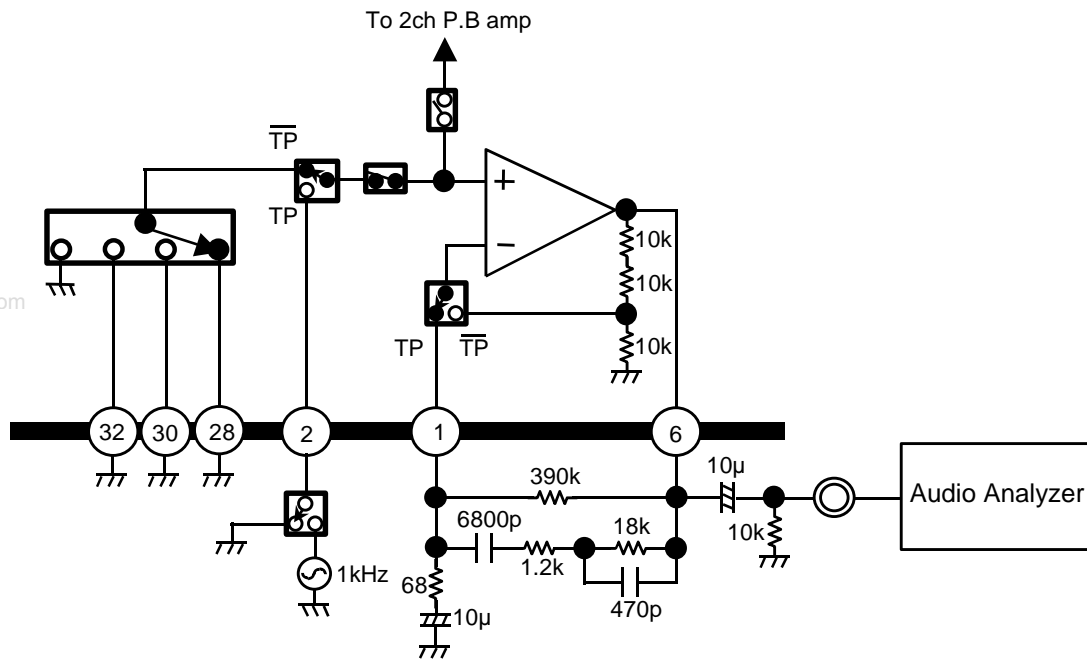
ELECTRICAL CHARACTERISTICS

T_a=25°C, V_{DD}=4.5V, V_{EE}=-4.5V, f=1kHz, V_i=100mVrms, Input Vol=0dB, Output Vol=18dB, Bass=0dB, Mid=0dB, Treble=0dB, R_L=10KΩ unless otherwise noted.

Parameter	Symbol	Condition	Limits			Unit
			Min	typ	Max	
Positive power current	IDD	No Input signal	—	10	20	mA
Negative power current	IEE	No Input signal	-20	-10	—	mA
Pass gain	Gv1	INA/B/C(Pin27 to 32) → PBP(Pin5,6)	8	10	12	dB
	Gv2	VOLIN(Pin7,8) → OUT(Pin25,26)	16	18	20	dB
Maximum output voltage	VOM1	OUT(Pin25,26), THD=1%	2.2	2.4	—	Vrms
	VOM2	RECO(Pin33,36), THD=1%	2.2	2.4	—	Vrms
	VOM3	PBO(Pin5,6), THD=1%	1.4	1.6	—	Vrms
Distortion	THD	INA/B/C(Pin27 to 32) → OUT(Pin25,26), Vo=0.5Vrms, BW=400 to 30kHz	—	0.02	0.08	%
Output noise voltage	VON1	VOLIN(Pin7,8) → OUT(Pin25,26) Input VOL=-∞dB, Output VOL=2dB, JIS-A, Rg=0Ω	—	6	15	μVrms
	VON2	VOLIN(Pin7,8) → RECO(Pin33,36) JIS-A, Rg=0Ω	—	35	70	μVrms
Input conversion noise voltage	VIN	PB1P/2P(Pin2,3) → PBO(Pin5,6), JIS-A, Rg=0Ω	—	1.0	1.9	μVrms
Channel cross talk	CT	INA/B/C(Pin27 to 32) → OUT(Pin25,26), Vo=2Vrms, JIS-A, Rg=0Ω	—	-70	-60	dB
Input impedance	Rvin	VOLIN(Pin7,8)	14	20	26	kΩ
Maximum attenuation	Volmin	VOLIN(Pin7,8) → OUT(Pin25,26), JIS-A, Input VOL=-∞dB, Output VOL=2dB, Vo=2Vrms	—	-95	-90	dB
Boost amount(Bass)	GBB	OUT(Pin25,26), Vo=0.5Vrms(Bass:0dB), Bass:10dB, f=100Hz	7	10	13	dB
Cut amount(Bass)	GBC	OUT(Pin25,26), Vo=0.5Vrms(Bass:0dB), Bass:-10dB, f=100Hz	-13	-10	-7	dB
Boost amount(Mid)	GMB	OUT(Pin25,26), Vo=0.5Vrms(Mid:0dB), Mid:10dB, f=1kHz	7	10	13	dB
Cat amount(Mid)	GMC	OUT(Pin25,26), Vo=0.5Vrms(Mid:0dB), Mid:-10dB, f=1kHz	-13	-10	-7	dB
Boost amount(Treble)	GTB	OUT(Pin25,26), Vo=0.5Vrms(Tre:0dB), Tre:10dB, f=10kHz	7	10	13	dB
Cat amount(Treble)	GTC	OUT(Pin25,26), Vo=0.5Vrms(Tre:0dB), Tre:-10dB, f=10kHz	-13	-10	-7	dB

AUDIO SIGNAL PROCESSOR WITH REC/PLAY BACK AMPLIFIER

P.B. amp MEASUREMENT CIRCUIT FIGURE



Input conversion noise voltage
 < Measurement method >

< Limits >
 Typ: 1.0μVrms(JIS-A)
 Max: 1.9μVrms(JIS-A)

- (1) Input signal (1kHz) to PB1P(pin2) and measure output gain of PB1O(pin6).
- (2) Measure output noise voltage of PB1O(pin6) and convert Input conversion noise voltage from output noise voltage.

Maximum output voltage

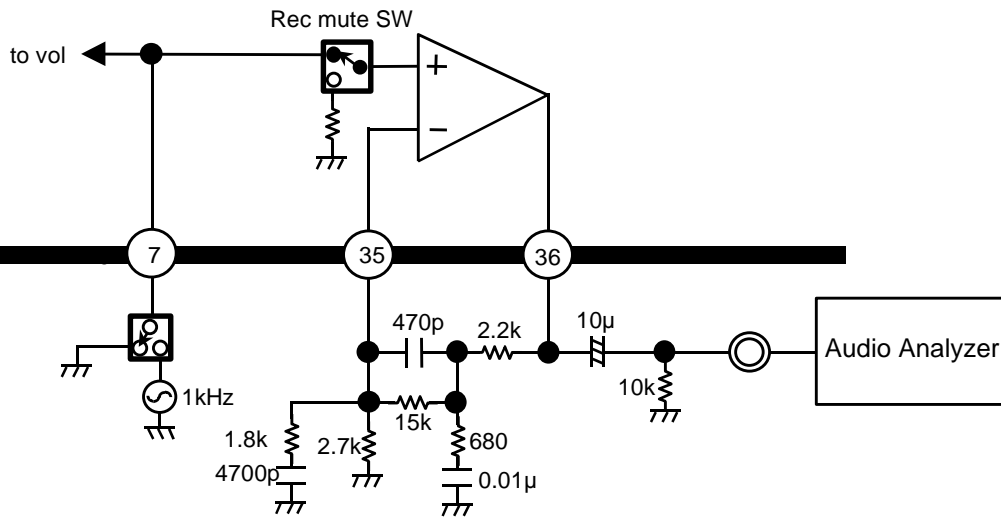
< Limits >
 Min: 1.4Vrms(THD=1%)
 Typ: 1.6Vrms(THD=1%)

< Measurement method >

Input signal (1kHz) to PB1P(pin2) and measure output gain of PB1O(pin6) when output THD is 1%.

AUDIO SIGNAL PROCESSOR WITH REC/PLAY BACK AMPLIFIER

Rec amp MEASUREMENT CIRCUIT FIGURE



Output noise voltage

< Limits >
 Typ:35µVrms(JIS-A)
 Max:70µVrms(JIS-A)

< Measurement method >

Measure output noise voltage of REC10(pin36) when VOLIN1(pin7) is GND.

Maximum output voltage

< Limits >
 Min:2.2Vrms(THD=1%)
 Typ:2.4Vrms(THD=1%)

< Measurement method >

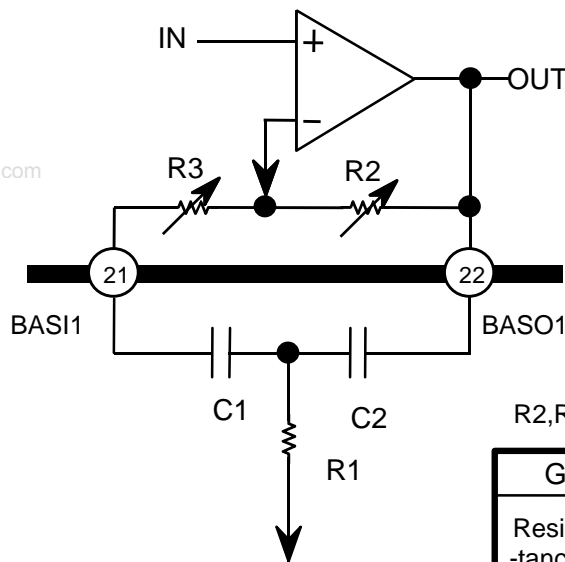
Input signal (1kHz) to VOLIN1(pin7) and measure output gain of REC10(pin36) when output THD is 1%.

AUDIO SIGNAL PROCESSOR WITH REC/PLAY BACK AMPLIFIER

TONE CONTROL EQUIVALENT CIRCUIT

Bass, Mid, Treble Circuit composition is common

(1) Boost equivalent circuit



$$F_0 = \frac{1}{2\pi\sqrt{R_1(R_2+R_3)C_1C_2}} \quad (\text{Hz})$$

$$Q \doteq \frac{1}{C_1+C_2} \sqrt{\frac{C_1C_2R_2}{R_1}}$$

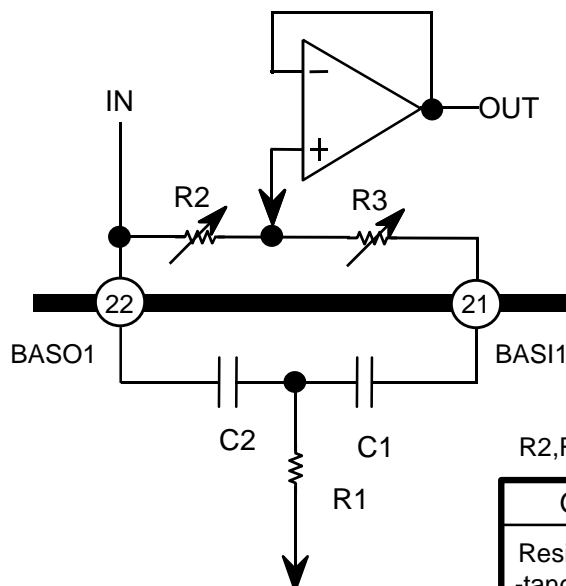
(In the case of C1=C2)

$$G_v = 20 \log \frac{\frac{R_2+R_3}{R_1} + 2}{\frac{R_3}{R_1} + 2} \quad (\text{dB})$$

R2,R3 Standard value(Reference)

Gain		2dB	4dB	6dB	8dB	10dB
Resis- tance	R2	10.46	18.77	25.36	30.61	34.77
	R3	26.79	18.48	11.89	6.64	2.48
(kΩ)						

(2) Cut equivalent circuit



$$F_0 = \frac{1}{2\pi\sqrt{R_1(R_2+R_3)C_1C_2}} \quad (\text{Hz})$$

$$Q \doteq \frac{1}{C_1+C_2} \sqrt{\frac{C_1C_2R_2}{R_1}}$$

(in the case of C1=C2)

$$G_v = 20 \log \frac{\frac{R_3}{R_1} + 2}{\frac{R_2+R_3}{R_1} + 2} \quad (\text{dB})$$

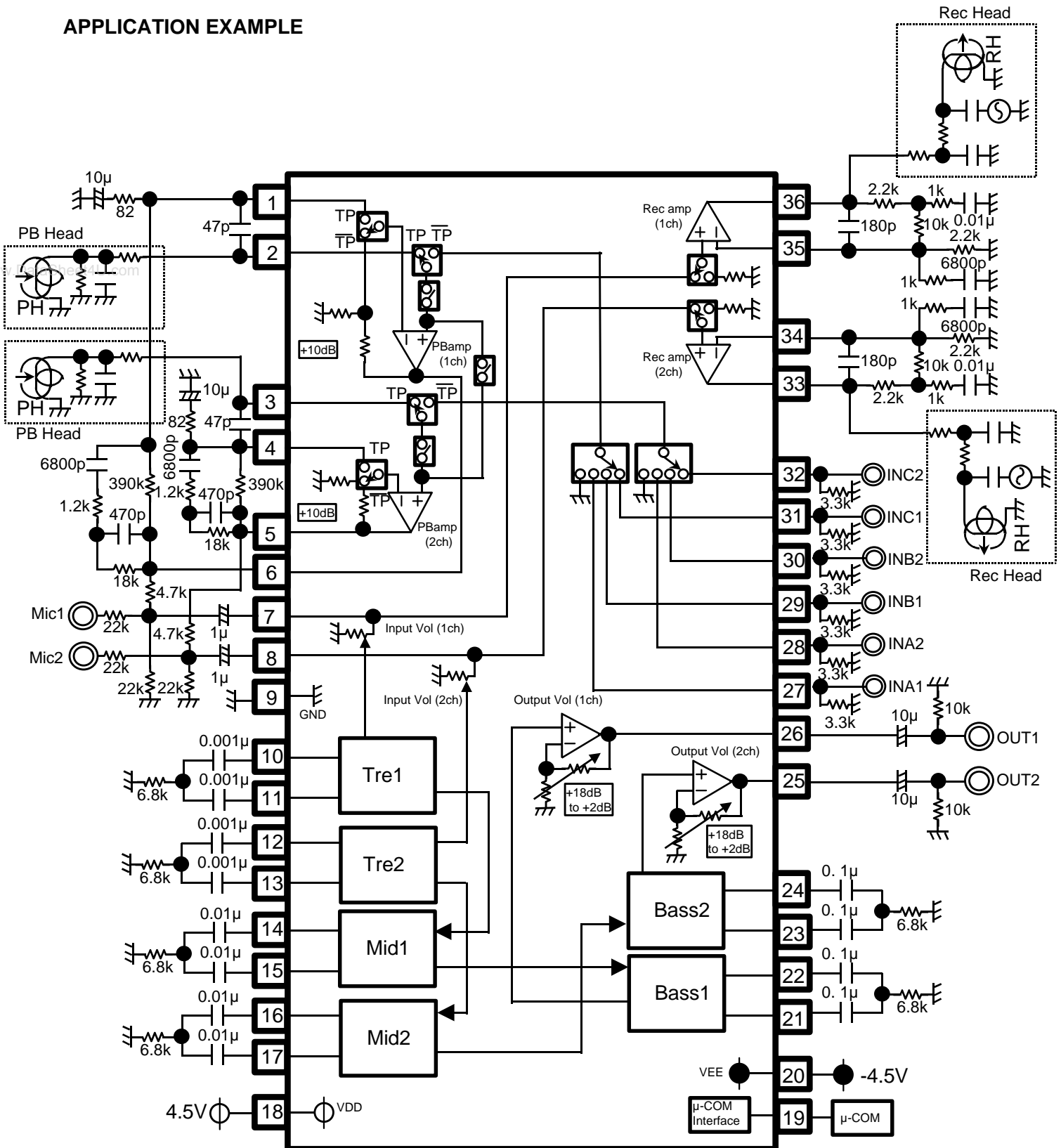
R2,R3 Standard value(Reference)

Gain		-2dB	-4dB	-6dB	-8dB	-10dB
Resis- tance	R2	10.46	18.77	25.36	30.61	34.77
	R3	26.79	18.48	11.89	6.64	2.48
(kΩ)						

M61518FP

AUDIO SIGNAL PROCESSOR WITH REC/PLAY BACK AMPLIFIER

APPLICATION EXAMPLE



Unit :Resistance Ω
:Capacity F

AUDIO SIGNAL PROCESSOR WITH REC/PLAY BACK AMPLIFIER

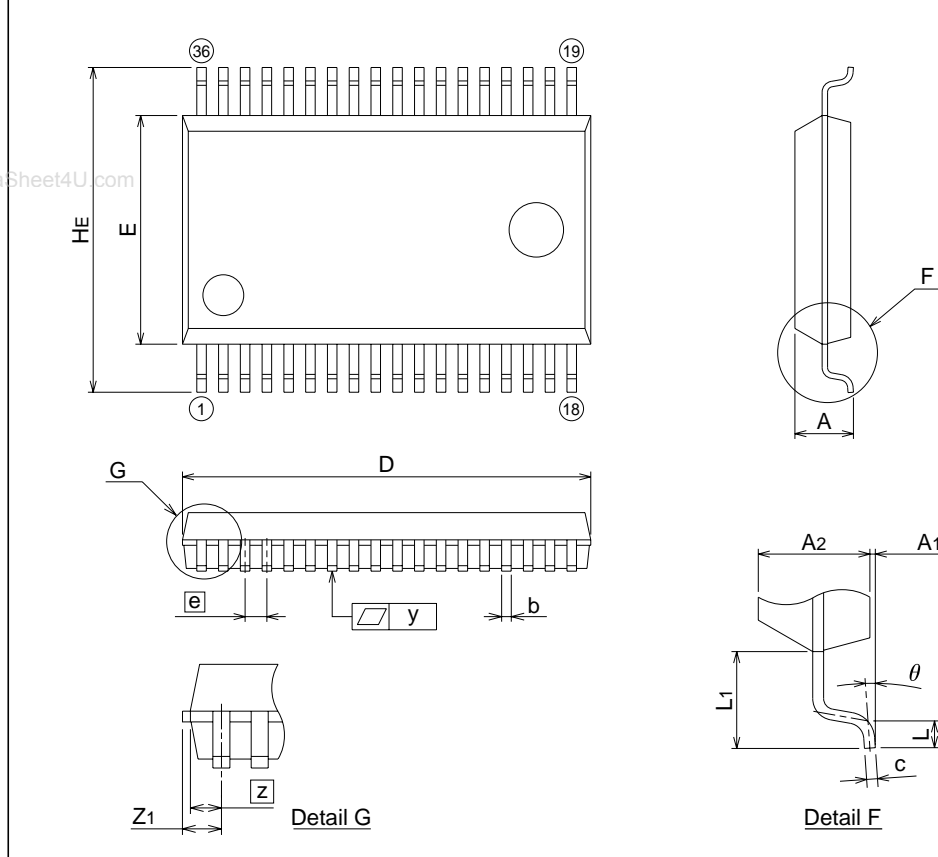
DETAILED DIAGRAM OF PACKAGE OUTLINE

36P2R-D

(MMP)

Plastic 36pin 450mil SSOP

EIAJ Package Code	JEDEC Code	Weight(g)	Lead Material
SSOP36-P-450-0.80	-	0.53	Cu Alloy



Symbol	Dimension in Millimeters		
	Min	Nom	Max
A	-	-	2.35
A1	0	0.1	0.2
A2	-	2.05	-
b	0.3	0.35	0.45
c	0.18	0.2	0.25
D	14.8	15.0	15.2
E	8.2	8.4	8.6
e	-	0.8	-
HE	11.63	11.93	12.23
L	0.3	0.5	0.7
L1	-	1.765	-
Z	-	0.7	-
Z1	-	-	0.85
y	-	-	0.15
theta	0°	-	8°
b2	-	0.5	-
e1	-	11.43	-
l2	1.27	-	-

www.DataSheet4U.com

AUDIO SIGNAL PROCESSOR WITH REC/PLAY BACK AMPLIFIER

Keep safety first in your circuit designs!

●Mitsubishi Electric Corporation puts the maximum effort into making semiconductor products better and more reliable, but there is always the possibility that trouble may occur with them. Trouble with semiconductors may lead to personal injury, fire or property damage. Remember to give due consideration to safety when making your circuit designs, with appropriate measures such as (i) placement of substitutive, auxiliary circuits, (ii) use of non-flammable material or (iii) prevention against any malfunction or mishap.

Notes regarding these materials

●These materials are intended as a reference to assist our customers in the selection of the Mitsubishi semiconductor product best suited to the customer's application; they do not convey any license under any intellectual property rights, or any other rights, belonging to Mitsubishi Electric Corporation or a third party.
 ●Mitsubishi Electric Corporation assumes no responsibility for any damage, or infringement of any third-party's rights, originating in the use of any product data, diagrams, charts, programs, algorithms, or circuit application examples contained in these materials.

●All information contained in these materials, including product data, diagrams, charts, programs and algorithms represents information on products at the time of publication of these materials, and are subject to change by Mitsubishi Electric Corporation without notice due to product improvements or other reasons. It is therefore recommended that customers contact Mitsubishi Electric Corporation or an authorized Mitsubishi Semiconductor product distributor for the latest product information before purchasing a product listed herein. The information described here may contain technical inaccuracies or typographical errors. Mitsubishi Electric Corporation assumes no responsibility for any damage, liability, or other loss rising from these inaccuracies or errors.

Please also pay attention to information published by Mitsubishi Electric Corporation by various means, including the Mitsubishi Semiconductor home page (<http://www.mitsubishichips.com>).

●When using any or all of the information contained in these materials, including product data, diagrams, charts, programs, and algorithms, please be sure to evaluate all information as a total system before making a final decision on the applicability of the information and products. Mitsubishi Electric Corporation assumes no responsibility for any damage, liability or other loss resulting from the information contained herein.

●Mitsubishi Electric Corporation semiconductors are not designed or manufactured for use in a device or system that is used under circumstances in which human life is potentially at stake. Please contact Mitsubishi Electric Corporation or an authorized Mitsubishi Semiconductor product distributor when considering the use of a product contained herein for any specific purposes, such as apparatus or systems for transportation, vehicular, medical, aerospace, nuclear, or undersea repeater use.

●The prior written approval of Mitsubishi Electric Corporation is necessary to reprint or reproduce in whole or in part these materials.

●If these products or technologies are subject to the Japanese export control restrictions, they must be exported under a license from the Japanese government and cannot be imported into a country other than the approved destination.

Any diversion or reexport contrary to the export control laws and regulations of Japan and/or the country of destination is prohibited.

●Please contact Mitsubishi Electric Corporation or an authorized Mitsubishi Semiconductor product distributor for further details on these materials or the products contained therein.