

M61522FP

8ch ELECTRONIC VOLUME WITH 8 INPUT SELECTOR

REJ03F0034-0100Z

Rev.1.0

Sep.19.2003

Feature

FUNCTION	FEATURE
Electronic Volume	8 channel Dependant Electronic Volume with High Voltage Transistor. (0~-99dB/1dBstep, -∞dB)
Input Selector	(1) Front L/R channel 8 Input Selector.(Main/Sub) (2) 2 channel Selector Output.
Multi Channel Input	All channel 2 Input Selector.
External Input	2 External Input.(C/SBLch)
REC Output	4 Lines REC Output (Both L and R channels)
Input ATT	Input ATT (0/-3/-6/-9/-12dB)
Output Gain Control	Output Gain Control (0/+3/+6/+9/+10/+12dB)
Balance Out	Built-in Balance Output (for ADC)

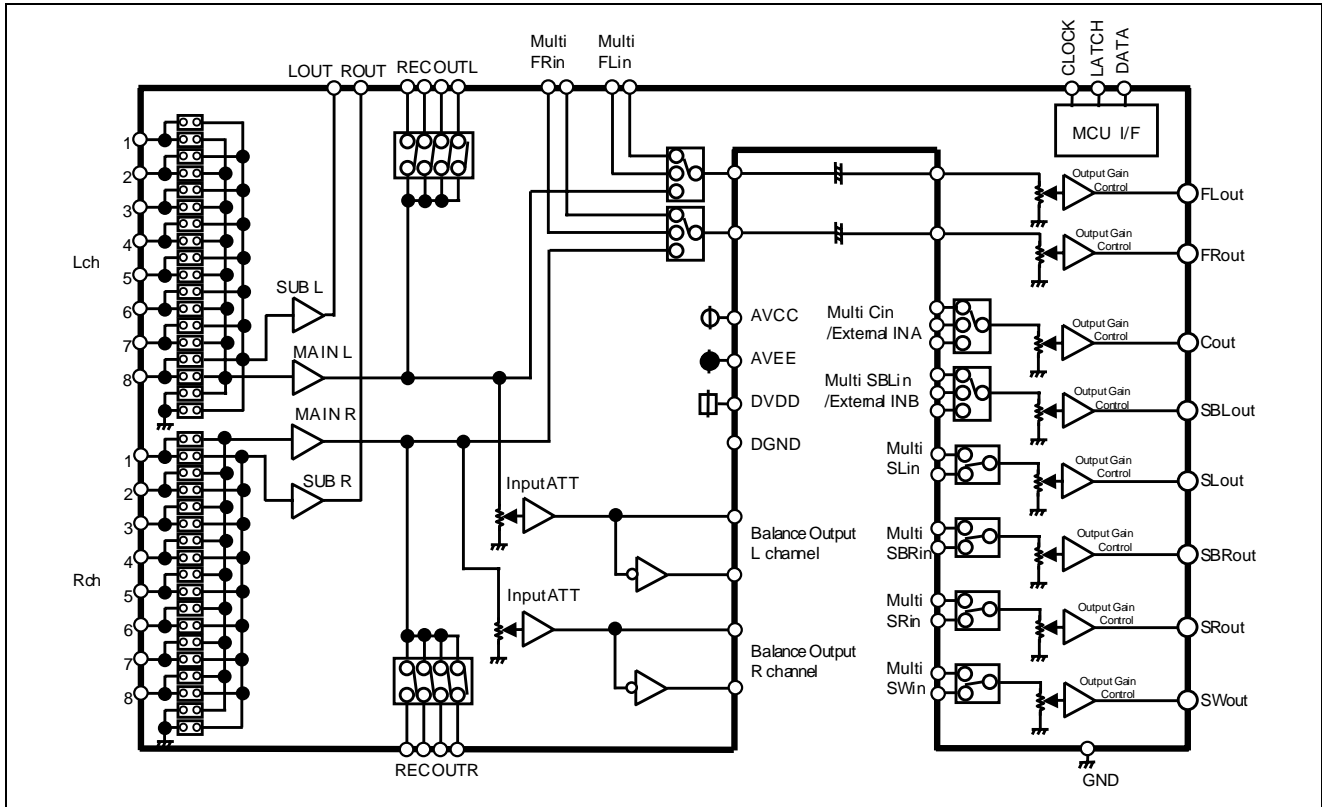
Application

Receiver, AV Amp, Mini Stereo etc.

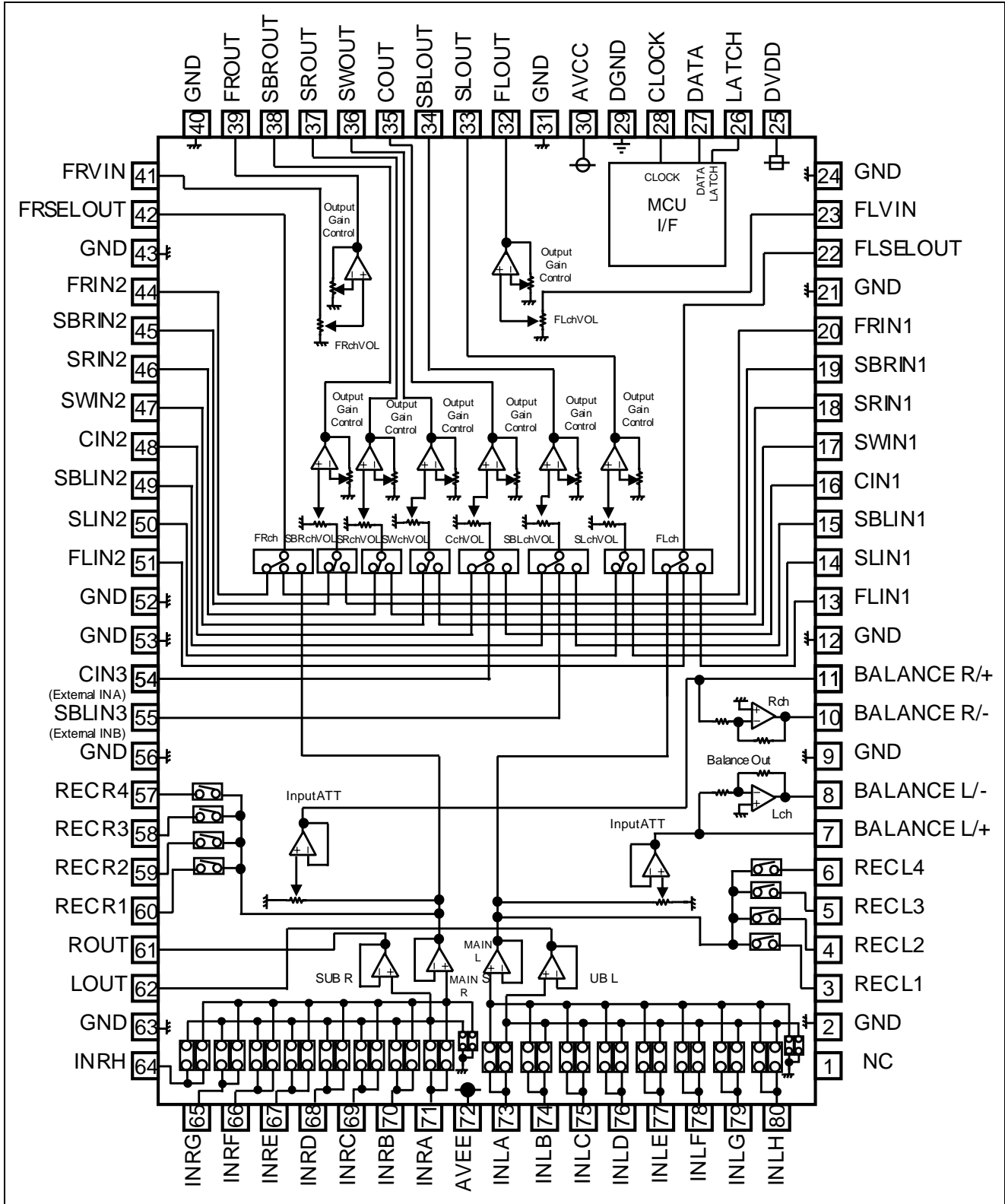
Recommended Operating Condition

Rated Supply VoltageAVCC=7.0V(typ), AVEE=-7.0V(typ), DVDD=3.3V(typ)

System Block Diagram



Block Diagram and Pin Configuration (Top View)



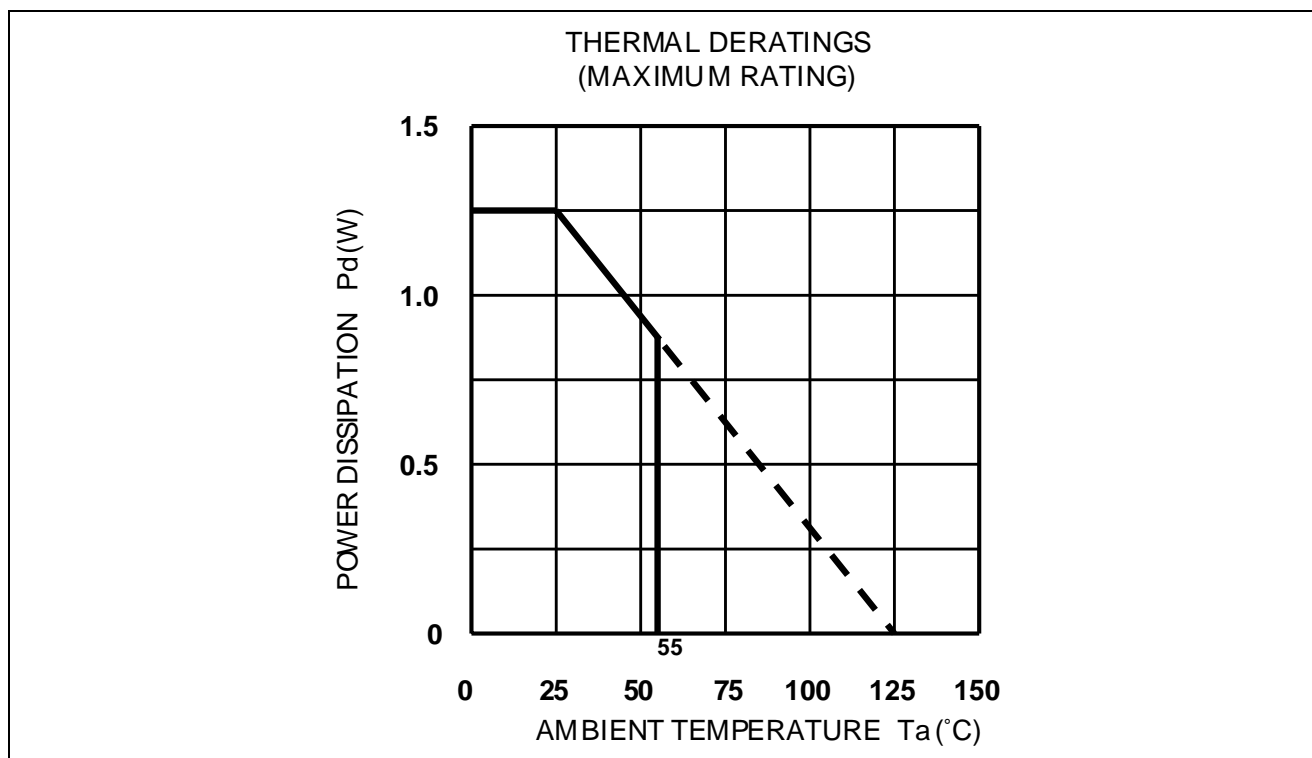
Pin Description

PIN No.	Name	Function
1	NC	Non-connection terminal
2,9,12,21,24,31, 40,43,52,53,56,63	GND	Analog Ground
3,4,5,6, 57,58,59,60	REC L1,L2,L3,L4 /REC R1,R2,R3,R4	Output pin of REC (Lch and Rch)
7,8	BALANCE L/+,L/-	Output pin of L channel Balance Output(+/-)
10,11	BALANCE R/+,R/-	Output pin of R channel Balance Output(+/-)
13,51	FLIN1/FLIN2	Input pin of FL channel (2 Input Selector)
14,50	SLIN1/SLIN2	Input pin of SL channel (2 Input Selector)
15,49	SBLIN1/SBLIN2	Input pin of SBL channel (2 Input Selector)
16,48	CIN1/CIN2	Input pin of C channel (2 Input Selector)
17,47	SWIN1/SWIN2	Input pin of SW channel (2 Input Selector)
18,46	SRIN1/SRIN2	Input pin of SR channel (2 Input Selector)
19,45	SBRIN1/SBRIN2	Input pin of SBR channel (2 Input Selector)
20,44	FRIN1/FRIN2	Input pin of FR channel (2 Input Selector)
22	FLSEOUT	Output pin of FL channel volume input selector
23	FLVIN	Input pin of FL channel volume
25	DVDD	Power supply to internal logic circuit
29	DGND	Ground of internal logic circuit
26,27,28	LATCH,DATA,CLOCK	Input pin of Control trigger/data/clock
30	AVCC	Positive power supply to internal analog circuit
32	FLOUT	Output pin of FL channel
33	SLOUT	Output pin of SL channel
34	SBLOUT	Output pin of SBL channel
35	COUT	Output pin of C channel
36	SWOUT	Output pin of SW channel
37	SBROUT	Output pin of SBR channel
38	SROUT	Output pin of SR channel
39	FROUT	Output pin of FR channel
41	FRVIN	Input pin of FR channel volume
42	FRSEOUT	Output pin of FR channel volume input selector
54	CIN3	External input pinA(Input pin of C channel)
55	SBLIN3	External input pinB(Input pin of SBL channel)
61,62	ROUT/LOUT	Output pin of Input selector
64,65,66,67,68,69, 70,71	INRA,B,C,D,E,F,G,H	Input pin of R channel (8 Input Selector)
73,74,75,76,77,78, 79,80	INLA,B,C,D,E,F,G,H	Input pin of L channel (8 Input Selector)
72	AVEE	Negative power supply to internal analog circuit

Absolute Maximum Ratings

(Ta=25°C, unless otherwise noted)

Symbol	Parameter	Condition	Ratings	Unit
Supply voltage	Power supply	AVCC-AVEE	±7.8	V
		DVDD-GND	6.0	
Pd	Power dissipation	Ta≤25°C	1250	mW
Kθ	Thermal derating	Ta>25°C	12.5	mW/°C
Topr	Operating temperature		-20~+55	°C
Tstg	Storage temperature		-40~+125	°C



Recommended Operating Conditions

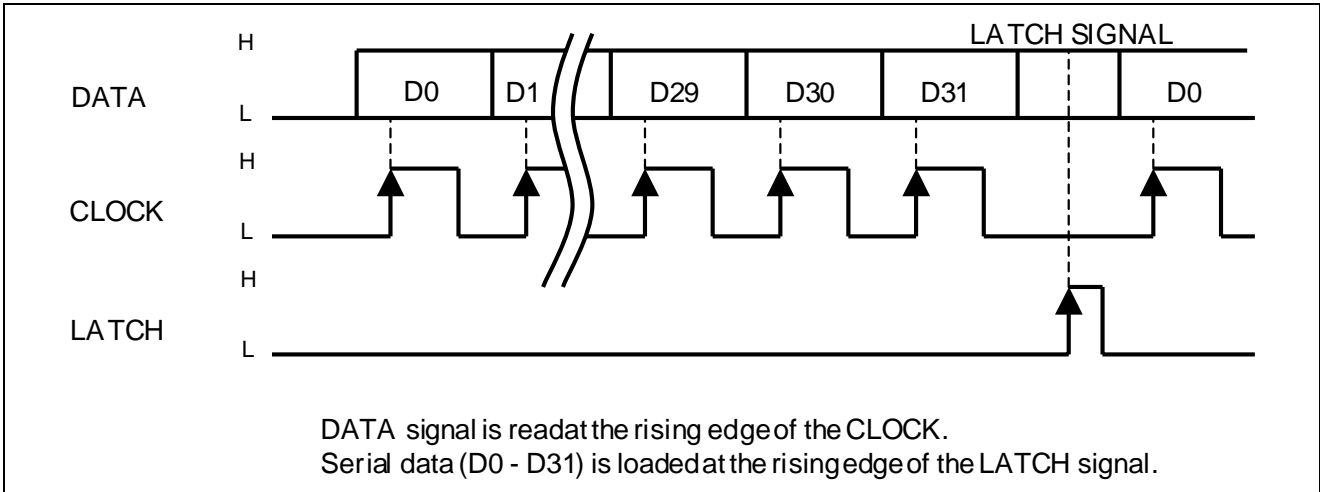
(Ta=25°C, unless otherwise noted)

Parameter	Symbol	Condition	MIN	TYP	MAX	Unit
Analog supply voltage (Positive)	AVCC		4.5	7.0	7.3	V
Analog supply voltage (Negative)	AVEE		-7.3	-7.0	-4.5	V
Digital supply voltage	DVDD		3.0	3.3	3.6	V
Logic \bar{H} level input voltage	VIH	DGND reference	2.4	—	DVDD	V
Logic \bar{L} level input voltage	VIL	DGND reference	DGND	—	0.5	V

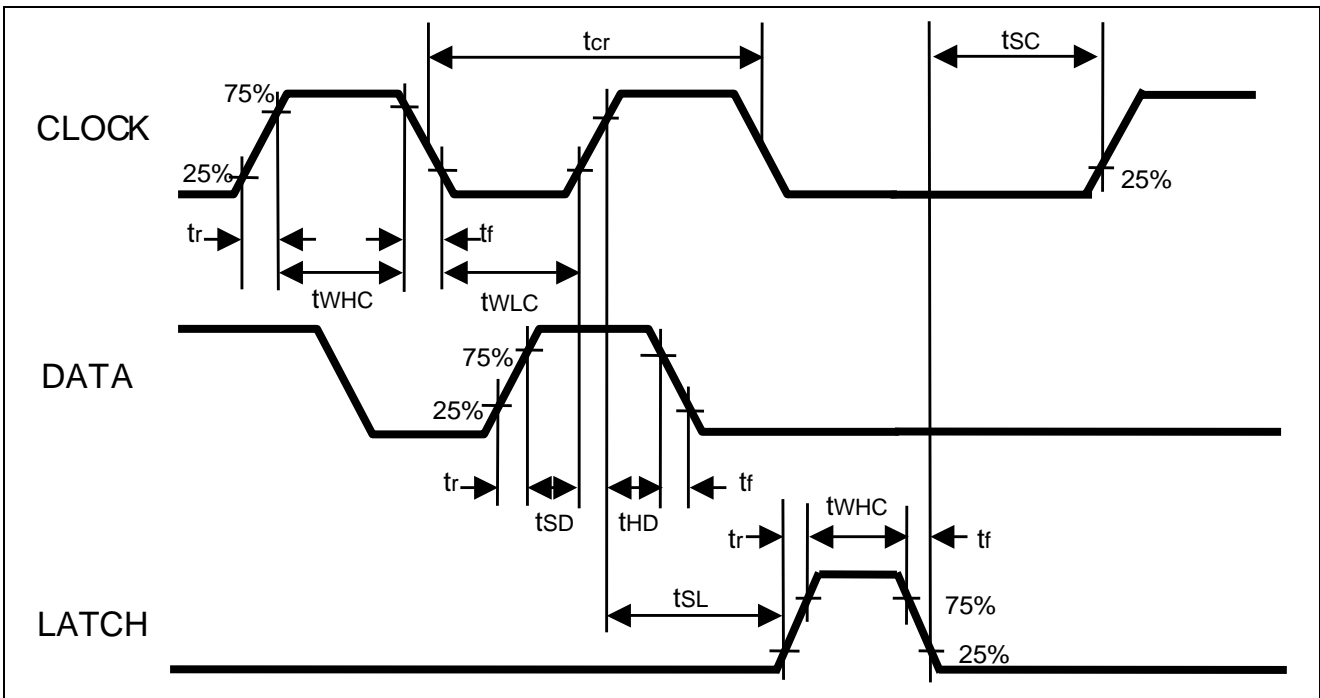
Note1: VEE≤DGND<VDD≤VCC

Note2: After applying AVCC, then apply AVEE and DVDD.

Relationship between Data and Clock



Clock and Data Timings



Timing Definition of Digital Block

Symbol	Parameter	Limits			Unit
		Min	typ	Max	
tcr	Clock cycle time	4	—	—	μsec
tWHC	Clock pulse width (iHi level)	1.6	—	—	
tWLC	Clock pulse width (iLi level)	1.6	—	—	
tr	Rising time of clock, data and latch	—	—	0.4	
tf	Falling time of clock, data and latch	—	—	0.4	
tSD	Data setup time	0.8	—	—	
tHD	Data hold time	0.8	—	—	
tSL	Latch setup time	1	—	—	
tWHL	Latch pulse width	1.6	—	—	
tSC	Clock setup time	4	—	—	

Data Control Specification

Three types of input format can be selected by changing the D30/D31 slot setting status.
 (Initialize all data of the 3 formats when Digital Powersupply (DVDD) turn on).

	D0	D1	D2	D3	D4	D5	D6	D7	D8	D9	D10	D11	D12	D13	D14	D15	D16	D17	D18	D19	D20	D21	D22	D23	D24	D25	D26	D27	D28	D29	D30	D31				
Slot 0	Input Selector (MAIN)			Input Selector (SUB)			Input ATT			Output Gain Control			FL/FR VOL Input Selector			C/SBL VOL Input Selector			All ch Output Mute		REC Output 1		REC Output 2		REC Output 3		REC Output 4									
Slot 1	FLch Volume			FRch Volume			Cch Volume			SWch Volume			SBRch Volume																							
Slot 2	SLch Volume			SRch Volume			SBLch Volume			SBRch Volume																										

Setting Code

(1) Input Selector(MAIN/SUB)
(D30=0,D31=0)

Setting	MAIN	D0	D1	D2	D3
	SUB	D4	D5	D6	D7
ALL OFF		0	0	0	0
A		0	0	0	1
B		0	0	1	0
C		0	0	1	1
D		0	1	0	0
E		0	1	0	1
F		0	1	1	0
G		0	1	1	1
H		1	0	0	0

(2) Input ATT
(D30=0,D31=0)

Setting	D8	D9	D10
0dB	0	0	0
-3dB	0	0	1
-6dB	0	1	0
-9dB	0	1	1
-12dB	1	0	0

(3) Output Gain Control
(D30=0,D31=0)

Setting	D11	D12	D13
0dB	0	0	0
+3dB	0	0	1
+6dB	0	1	0
+9dB	0	1	1
+10dB	1	0	0
+12dB	1	0	1

(4) FL/FR channel Volume
Input Selector (D30=0,D31=0)

Setting	D14	D15
Bypass	0	0
Multi IN1	0	1
Multi IN2	1	0

(5) C/SBL channel Volume
Input Selector (D30=0,D31=0)

Setting	D16	D17
External IN	0	0
Multi IN1	0	1
Multi IN2	1	0

(6) SW/SR/SL/SBR channel
Volume Input Selector
(D30=0,D31=0)

Setting	D18
Multi IN1	0
Multi IN2	1

(7) All channel Output Mute
(D30=0,D31=0)

Setting	D19
Mute OFF	0
Mute ON	1

(8) REC Output
(D30=0,D31=0)

REC output	REC1	REC2	REC3	REC4
Setting	D20	D21	D22	D23
OFF	0	0	0	0
ON	1	1	1	1

 It's initial setting when DVDD turn on.

Note : Please don't input except specification data.

(9)8 channel Volume (FLch,FRch,Cch,SWch:D30=0,D31=1 / SLch,SRch,SBLch,SBRch:D30=1,D31=0)

ATT	FLch	D0	D1	D2	D3	D4	D5	D6
	SLch	D7	D8	D9	D10	D11	D12	D13
	FRch	D14	D15	D16	D17	D18	D19	D20
	SRch	D21	D22	D23	D24	D25	D26	D27
0dB		0	0	0	0	0	0	0
-1dB		0	0	0	0	0	0	1
-2dB		0	0	0	0	0	1	0
-3dB		0	0	0	0	0	1	1
-4dB		0	0	0	0	1	0	0
-5dB		0	0	0	0	1	0	1
-6dB		0	0	0	0	1	1	0
-7dB		0	0	0	0	1	1	1
-8dB		0	0	0	1	0	0	0
-9dB		0	0	0	1	0	0	1
-10dB		0	0	0	1	0	1	0
-11dB		0	0	0	1	0	1	1
-12dB		0	0	0	1	1	0	0
-13dB		0	0	0	1	1	0	1
-14dB		0	0	0	1	1	1	0
-15dB		0	0	0	1	1	1	1
-16dB		0	0	1	0	0	0	0
-17dB		0	0	1	0	0	0	1
-18dB		0	0	1	0	0	1	0
-19dB		0	0	1	0	0	1	1
-20dB		0	0	1	0	1	0	0
-21dB		0	0	1	0	1	0	1
-22dB		0	0	1	0	1	1	0
-23dB		0	0	1	0	1	1	1
-24dB		0	0	1	1	0	0	0
-25dB		0	0	1	1	0	0	1
-26dB		0	0	1	1	0	1	0
-27dB		0	0	1	1	0	1	1

ATT	FLch	D0	D1	D2	D3	D4	D5	D6
	SLch	D7	D8	D9	D10	D11	D12	D13
	FRch	D14	D15	D16	D17	D18	D19	D20
	SRch	D21	D22	D23	D24	D25	D26	D27
-28dB		0	0	1	1	1	0	0
-29dB		0	0	1	1	1	0	1
-30dB		0	0	1	1	1	1	0
-31dB		0	0	1	1	1	1	1
-32dB		0	1	0	0	0	0	0
-33dB		0	1	0	0	0	0	1
-34dB		0	1	0	0	0	1	0
-35dB		0	1	0	0	0	1	1
-36dB		0	1	0	0	1	0	0
-37dB		0	1	0	0	1	0	1
-38dB		0	1	0	0	1	1	0
-39dB		0	1	0	0	1	1	1
-40dB		0	1	0	1	0	0	0
-41dB		0	1	0	1	0	0	1
-42dB		0	1	0	1	0	1	0
-43dB		0	1	0	1	0	1	1
-44dB		0	1	0	1	1	0	0
-45dB		0	1	0	1	1	0	1
-46dB		0	1	0	1	1	1	0
-47dB		0	1	0	1	1	1	1
-48dB		0	1	1	0	0	0	0
-49dB		0	1	1	0	0	0	1
-50dB		0	1	1	0	0	1	0
-51dB		0	1	1	0	0	1	1
-52dB		0	1	1	0	1	0	0
-53dB		0	1	1	0	1	0	1
-54dB		0	1	1	0	1	1	0
-55dB		0	1	1	0	1	1	1

ATT	FLch	D0	D1	D2	D3	D4	D5	D6
	SLch	D7	D8	D9	D10	D11	D12	D13
	FRch	D14	D15	D16	D17	D18	D19	D20
	SRch	D21	D22	D23	D24	D25	D26	D27
-56dB	0	1	1	1	0	0	0	
-57dB	0	1	1	1	0	0	1	
-58dB	0	1	1	1	0	1	0	
-59dB	0	1	1	1	0	1	1	
-60dB	0	1	1	1	1	0	0	
-61dB	0	1	1	1	1	0	1	
-62dB	0	1	1	1	1	1	0	
-63dB	0	1	1	1	1	1	1	
-64dB	1	0	0	0	0	0	0	
-65dB	1	0	0	0	0	0	1	
-66dB	1	0	0	0	0	1	0	
-67dB	1	0	0	0	0	1	1	
-68dB	1	0	0	0	1	0	0	
-69dB	1	0	0	0	1	0	1	
-70dB	1	0	0	0	1	1	0	
-71dB	1	0	0	0	1	1	1	
-72dB	1	0	0	1	0	0	0	
-73dB	1	0	0	1	0	0	1	
-74dB	1	0	0	1	0	1	0	
-75dB	1	0	0	1	0	1	1	
-76dB	1	0	0	1	1	0	0	
-77dB	1	0	0	1	1	0	1	
-78dB	1	0	0	1	1	1	0	
-79dB	1	0	0	1	1	1	1	
-80dB	1	0	1	0	0	0	0	
-81dB	1	0	1	0	0	0	1	
-82dB	1	0	1	0	0	1	0	

ATT	FLch	D0	D1	D2	D3	D4	D5	D6
	SLch	D7	D8	D9	D10	D11	D12	D13
	FRch	D14	D15	D16	D17	D18	D19	D20
	SRch	D21	D22	D23	D24	D25	D26	D27
-83dB	1	0	1	0	0	1	1	
-84dB	1	0	1	0	1	0	0	
-85dB	1	0	1	0	1	0	1	
-86dB	1	0	1	0	1	1	0	
-87dB	1	0	1	0	1	1	1	
-88dB	1	0	1	1	0	0	0	
-89dB	1	0	1	1	0	0	1	
-90dB	1	0	1	1	0	1	0	
-91dB	1	0	1	1	0	1	1	
-92dB	1	0	1	1	1	0	0	
-93dB	1	0	1	1	1	0	1	
-94dB	1	0	1	1	1	1	0	
-95dB	1	0	1	1	1	1	1	
-96dB	1	1	0	0	0	0	0	
-97dB	1	1	0	0	0	0	1	
-98dB	1	1	0	0	0	1	0	
-99dB	1	1	0	0	0	1	1	
-∞ dB	1	1	1	1	0	0	0	

Note : Please don't input except specification data.

Electrical Characteristics

Unless otherwise noted, $T_a=25^{\circ}\text{C}$, $AVCC=7\text{V}$, $AVEE=-7\text{V}$, $DVDD=3.3\text{V}$, $f=1\text{kHz}$, $\text{Volume}=0\text{dB}$, $\text{Input ATT}=0\text{dB}$,
Output Gain Control=0dB setting

(1) Power supply characteristics

Parameter	Symbol	Test condition	Limits			Unit
			min	typ	max	
Analog positive power circuit current	Alcc	With $AVCC=7\text{V}$ and $AVEE=-7\text{V}$ Pin30 pin current, no signal.	—	40	60	mA
Analog negative power Circuit current	Alee	With $AVCC=7\text{V}$ and $AVEE=-7\text{V}$ Pin72 pin current, no signal.	—	40	60	mA
Digital power circuit current	Dlidd	With $DVDD=5\text{V}$, Pin25 pin current, no signal.	—	3	6	mA

(2) Input/Output characteristics (OVER ALL)

Parameter	Symbol	Test condition	Limits			Unit
			min	typ	max	
Input resistance	Rin	14~19, 45~50pin When each selector chooses a terminal concerned.	25	50	100	kΩ
Maximum output voltage	VOM	THD=1%, RL=10kohm Output Gain Contro=+10dB setting	3.6	4.2	—	Vrms
Pass gain	Gv	Vi=0.3Vrms, FLAT	-2.0	0	2.0	dB
Total harmonic distortion	THD1	BW: 400Hz~30kHz, f=1kHz, Vo=0.3Vrms, RL=10kΩ	—	0.005	0.05	%
	THD2	BW: 400Hz~30kHz, f=1kHz, Vo=2Vrms, RL=10kΩ	—	0.03	0.1	%
Channels balance	CBAL	Input Pin71,73/Output Pin39,32 Vi=0.3Vrms, JIS-A	-0.5	0	0.5	dB
Output noise voltage	Vono (VOL=-∞dB)	JIS-A, Rg=0ohm Volume=-∞dB setting	—	2	6	μVrms
	Vono (VOL=0dB)	JIS-A, Rg=0ohm Volume=0dB setting	—	4	12	μVrms
	Vonobal (Balance out)	Output Pin 7, 8, 10, 11 JIS-A, Rg=0Ω	—	5	10	μVrms
Input selector channel separation	CS1	(Input selector) Pin73~80, Pin71~64 Vo=0.5Vrms, Rg=0Ω, RL=10kΩ, JIS-A	—	-80	-65	dB
	CS2	(Multi channel/external input selector) Pin51~44, Pin13~20, Pin54,55 Vo=0.5Vrms, Rg=0Ω, RL=10kΩ, JIS-A	—	-80	-65	dB
Crosstalk of mutual channels	CT1	(Main line) Input Pin71,73/Output Pin32,39 Vo=0.5Vrms, Rg=0Ω, RL=10kΩ, JIS-A	—	-80	-65	dB
	CT2	(Sub line) Input Pin71,73/Output Pin62,61 Vo=0.5Vrms, Rg=0Ω, RL=10kΩ, JIS-A	—	-80	-65	dB

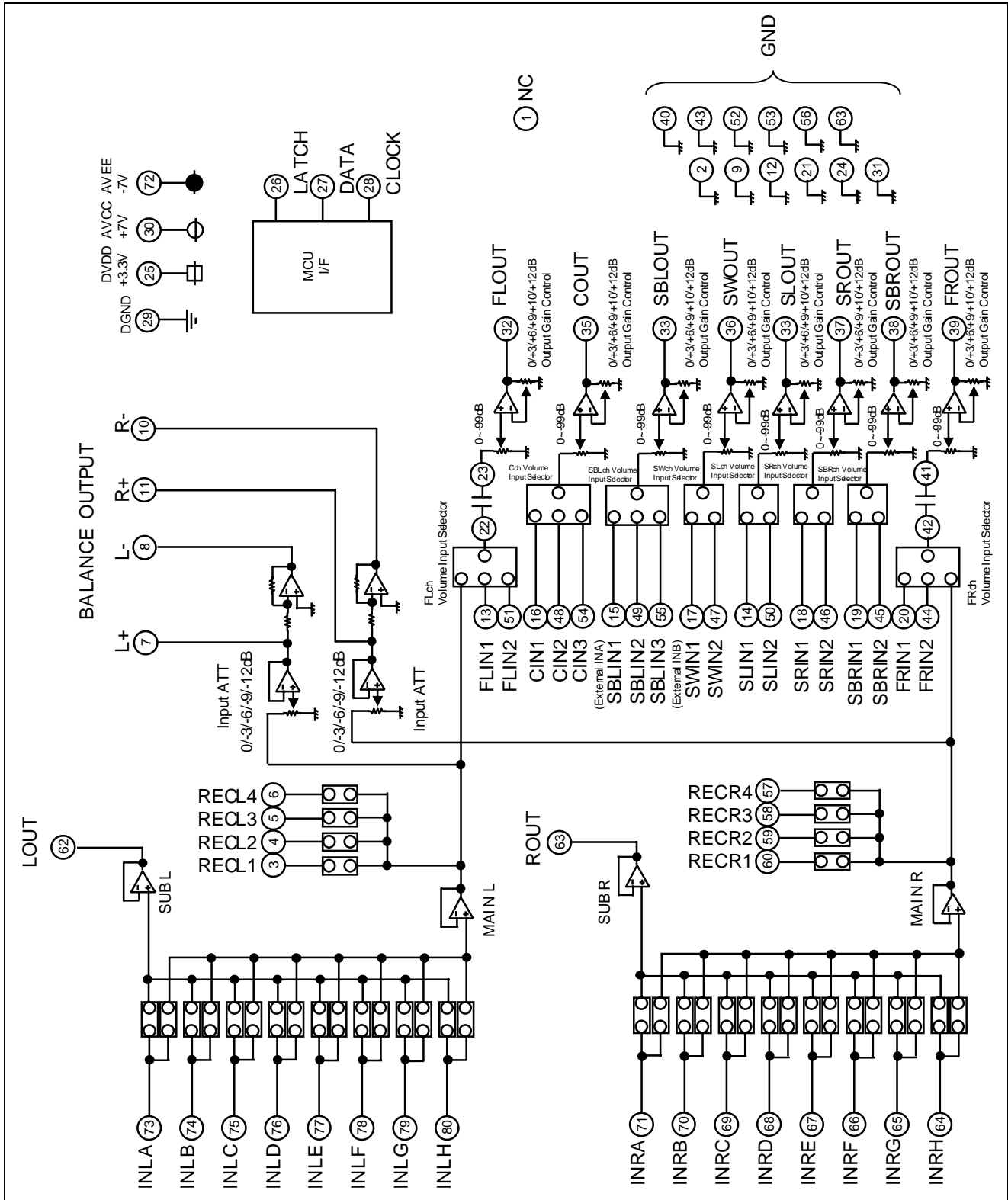
M61522FP

(3) 8 channel Volume characteristics

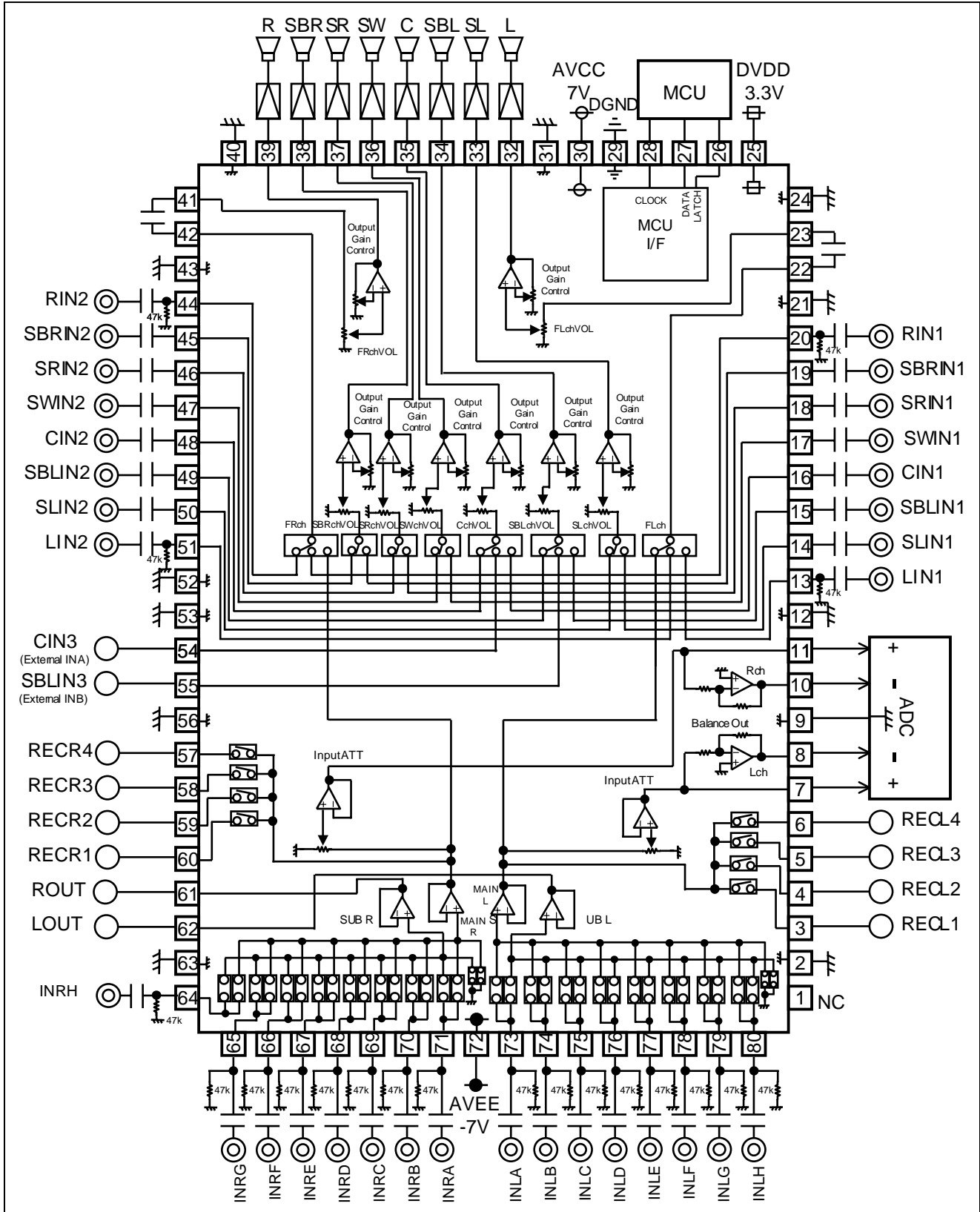
Unless otherwise noted, Output Gain Control=0dB setting

Parameter	Symbol	Test condition	Limits			Unit
			min	typ	max	
Maximum attenuation	ATTmax	$V_i=1V_{rms}$, JIS-A, $VOL=-\infty$	—	-100	-95	dB
Volume gain gang error of mutual channels	Dvol	Pin32,33,34,35,36,37,38,39 Output, Volume=0dB setting	-0.5	0	+0.5	dB
Cross talk of mutual channels	CTvol	$V_o=0.5V_{rms}$, $RL=10k\ \Omega$, JIS-A, $R_g=0\ \Omega$	—	-80	-65	dB

Internal Block Diagram



Application Example



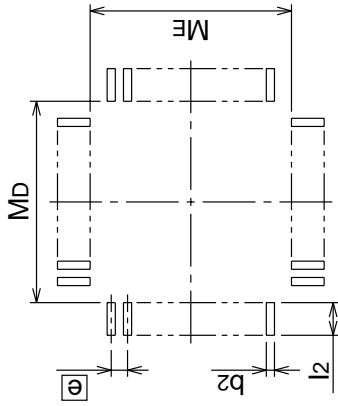
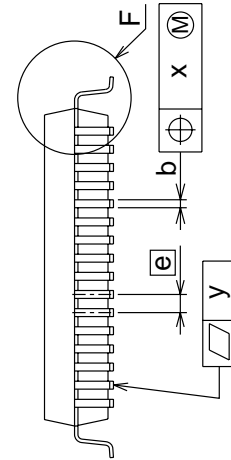
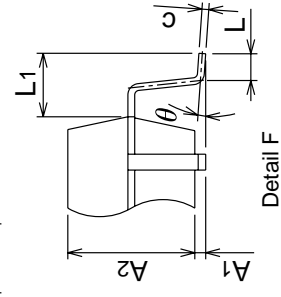
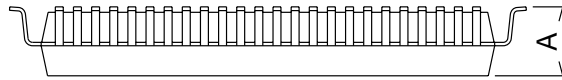
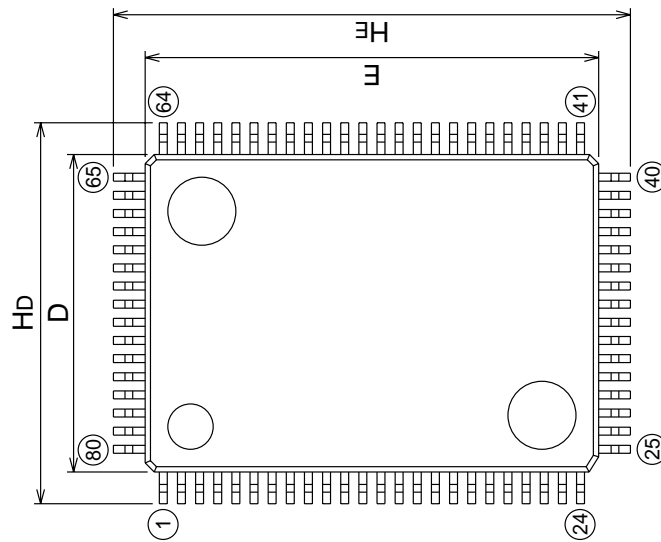
Package Dimensions

80P6N-A

(MMP)

Plastic 80pin 14X20mm body QFP

EIAJ Package Code QFP80-P-1420-0.80	JEDEC Code —	Weight(g) 1.58	Lead Material Alloy 42
--	-----------------	-------------------	---------------------------



Recommended Mount Pad

Symbol	Dimension in Millimeters		
	Min	Nom	Max
A	—	—	3.05
A1	0	0.1	0.2
A2	—	2.8	—
b	0.3	0.35	0.45
c	0.13	0.15	0.2
D	13.8	14.0	14.2
E	19.8	20.0	20.2
e	—	0.8	—
HD	16.5	16.8	17.1
HE	22.5	22.8	23.1
L	0.4	0.6	0.8
L1	—	1.4	—
x	—	—	0.2
y	—	—	0.1
theta	0°	—	10°
b2	—	0.5	—
l2	1.3	—	—
MD	—	14.6	—
ME	—	20.6	—

Renesas Technology Corp. Sales Strategic Planning Div. Nippon Bldg., 2-6-2, Ohte-machi, Chiyoda-ku, Tokyo 100-0004, Japan

Keep safety first in your circuit designs!

1. Renesas Technology Corp. puts the maximum effort into making semiconductor products better and more reliable, but there is always the possibility that trouble may occur with them. Trouble with semiconductors may lead to personal injury, fire or property damage.
Remember to give due consideration to safety when making your circuit designs, with appropriate measures such as (i) placement of substitutive, auxiliary circuits, (ii) use of nonflammable material or (iii) prevention against any malfunction or mishap.

Notes regarding these materials

1. These materials are intended as a reference to assist our customers in the selection of the Renesas Technology Corp. product best suited to the customer's application; they do not convey any license under any intellectual property rights, or any other rights, belonging to Renesas Technology Corp. or a third party.
 2. Renesas Technology Corp. assumes no responsibility for any damage, or infringement of any third-party's rights, originating in the use of any product data, diagrams, charts, programs, algorithms, or circuit application examples contained in these materials.
 3. All information contained in these materials, including product data, diagrams, charts, programs and algorithms represents information on products at the time of publication of these materials, and are subject to change by Renesas Technology Corp. without notice due to product improvements or other reasons. It is therefore recommended that customers contact Renesas Technology Corp. or an authorized Renesas Technology Corp. product distributor for the latest product information before purchasing a product listed herein.
The information described here may contain technical inaccuracies or typographical errors.
Renesas Technology Corp. assumes no responsibility for any damage, liability, or other loss rising from these inaccuracies or errors.
Please also pay attention to information published by Renesas Technology Corp. by various means, including the Renesas Technology Corp. Semiconductor home page (<http://www.renesas.com>).
 4. When using any or all of the information contained in these materials, including product data, diagrams, charts, programs, and algorithms, please be sure to evaluate all information as a total system before making a final decision on the applicability of the information and products. Renesas Technology Corp. assumes no responsibility for any damage, liability or other loss resulting from the information contained herein.
 5. Renesas Technology Corp. semiconductors are not designed or manufactured for use in a device or system that is used under circumstances in which human life is potentially at stake. Please contact Renesas Technology Corp. or an authorized Renesas Technology Corp. product distributor when considering the use of a product contained herein for any specific purposes, such as apparatus or systems for transportation, vehicular, medical, aerospace, nuclear, or undersea repeater use.
 6. The prior written approval of Renesas Technology Corp. is necessary to reprint or reproduce in whole or in part these materials.
 7. If these products or technologies are subject to the Japanese export control restrictions, they must be exported under a license from the Japanese government and cannot be imported into a country other than the approved destination.
Any diversion or reexport contrary to the export control laws and regulations of Japan and/or the country of destination is prohibited.
 8. Please contact Renesas Technology Corp. for further details on these materials or the products contained therein.
-



RENESAS SALES OFFICES

<http://www.renesas.com>

Renesas Technology America, Inc.
450 Holger Way, San Jose, CA 95134-1368, U.S.A
Tel: <1> (408) 382-7500 Fax: <1> (408) 382-7501

Renesas Technology Europe Limited.
Dukes Meadow, Millboard Road, Bourne End, Buckinghamshire, SL8 5FH, United Kingdom
Tel: <44> (1628) 585 100, Fax: <44> (1628) 585 900

Renesas Technology Europe GmbH
Dornacher Str. 3, D-85622 Feldkirchen, Germany
Tel: <49> (89) 380 70 0, Fax: <49> (89) 929 30 11

Renesas Technology Hong Kong Ltd.
7/F., North Tower, World Finance Centre, Harbour City, Canton Road, Hong Kong
Tel: <852> 2265-6688, Fax: <852> 2375-6836

Renesas Technology Taiwan Co., Ltd.
FL 10, #99, Fu-Hsing N. Rd., Taipei, Taiwan
Tel: <886> (2) 2715-2888, Fax: <886> (2) 2713-2999

Renesas Technology (Shanghai) Co., Ltd.
26/F., Ruijin Building, No.205 Maoming Road (S), Shanghai 200020, China
Tel: <86> (21) 6472-1001, Fax: <86> (21) 6415-2952

Renesas Technology Singapore Pte. Ltd.
1, Harbour Front Avenue, #06-10, Keppel Bay Tower, Singapore 098632
Tel: <65> 6213-0200, Fax: <65> 6278-8001