

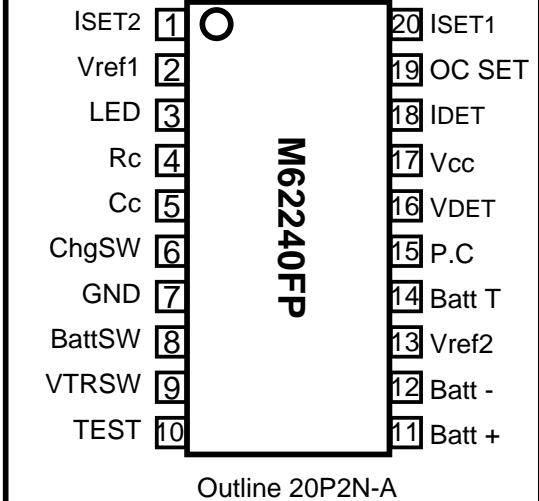
GENERAL DESCRIPTION

The M62240FP is a general purpose battery charger control IC. It can control all of the sequence needed for battery charging, it also has functions such as detection of battery temperature, a protection against over-current/voltage, a safety timer and so on. Moreover, it can adapt to charge Ni-Cd, Ni-MH batteries by adding few peripheral components. The IC has the feedback control of the charge current and output voltage.

FEATURES

- Low voltage (3V) operation
- Built-in following functions and circuits ;
 - CR oscillator for internal logic
 - Initialization timer and safety timer for V error detection and over-charging
 - D-A converter and shift registers to maintain the peak voltage of battery.
 - Main output SW driving circuits
 - LED driving circuit for displaying the status of the charging
 - System reset circuit for detecting the power supply voltage
 - Temperature detection circuit for the Ni-MH battery
 - Voltage and current control circuits for feedback to the primary side of the SMPS.
 - Protective functions including detection of over-voltage in charge mode and over-current in adapter mode and so on

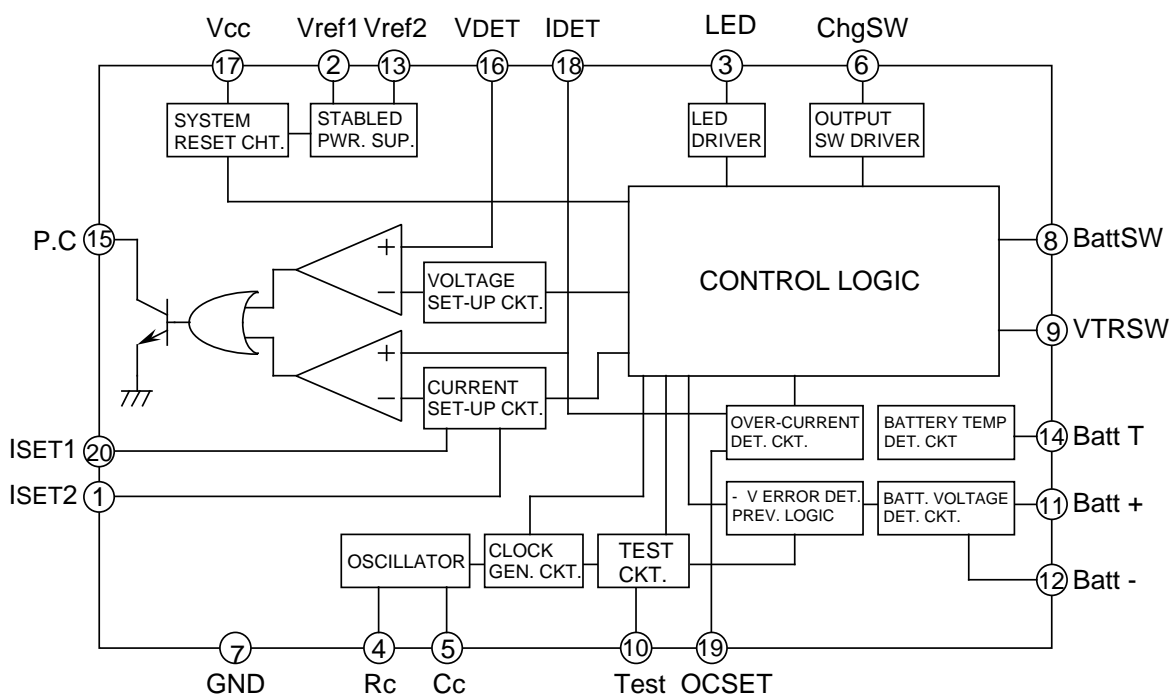
PIN CONFIGURATION (TOP VIEW)



APPLICATION

Battery charger for video cameras and handheld telephones, etc.

BLOCK DIAGRAM



EXPLANATION OF TERMINALS

Pin No.	Symbol	Function
3	LED	LED drive (Open collector outputs)
4, 5	Rc, Cc	Setting the oscillating frequency of the internal clocks.
6	Chg SW	The SW drive terminal used for charging battery. (Open collector outputs)
7	GND	Ground
8	Batt SW	Checking whether a battery is mounted or not. (It has a pull-up resistor)
9	VTR SW	Detecting VTR connection. (It has a pull-up resistor)
10	Test	Test mode set-up. (It has a pull-up resistor)
11	Batt +	This is connected to the + terminal of the battery.
12	Batt -	This is connected to the - terminal of the battery.
14	Batt T	This is connected to the the temperature detecting terminal of the battery.
13	Vref2	The voltage reference terminal for temperature detection.
15	P.C	This is connected to the photo-coupler used for feedback. (It has a pull-up resistor)
16	V DET	Monitoring the output voltage.
18	I DET	Detecting the charging current or output current.
19	OC SET	Setting the over-current detection value in the adapter mode.
20, 1	Iset1, 2	These are used to the charging current. (Iset1 is for quick charge and Iset2 is for trickle charge)
2	Vref1	Setting the standard voltage for over-current set-up value and the charge current set-up.
17	Vcc	Power supply.

ABSOLUTE MAXIMUM RATINGS (Ta=25°C, unless otherwise noted)

Symbol	Parameter	Conditions	Ratings	Unit
Vcc	Supply voltage		16	V
IChgSW	ChgSW terminal drive current		50	mA
ILED	LED drive current		20	mA
I P.C	P.C drive current		20	mA
Iref1	Vref1 output current		-0.5	mA
Iref2	Vref2 output current		-1	mA
Pd	Power dissipation		650	mW
K θ	Thermal derating	Ta=25°C	6.5	mW/°C
Topr	Operating temperature	Ta>25°C	-20 to +75	°C
Tstg	Storage temperature		-40 to +125	°C

Note

Polarity of current:

The direction of current flowing into the IC is equivalent to the positive (+).

The direction of current flowing out of the IC is equivalent to the negative (-).

The voltage applied to the open collector output terminal should be less than the absolute maximum voltage of the power supply.

The voltage difference between the negative terminal of the battery and the GND terminal should be 0 to 0.6V.

SINGLE CHIP BATTERY CHARGER CONTROL IC

ELECTRICAL CHARACTERISTICS ($V_{CC}=7V, T_a=25^{\circ}C$, unless otherwise noted)

All device

Symbol	Parameter	Test conditions	Limits			Unit
			Min	Typ	Max	
V_{CC}	Supply voltage		3.0		15.0	V
I_{CC}	Circuit current	$V_{CC}=7V$ when quick charge	10.0	20.0	30.0	mA
V_{THVCC}	Power supply detecting voltage		2.70	2.80	2.90	V

Reference

Symbol	Parameter	Test conditions	Limits			Unit
			Min	Typ	Max	
V_{ref1}	V_{ref1} output voltage	$I_{ref1}=150\mu A$	1.21	1.25	1.30	V
V_{ref2}	V_{ref2} output voltage	$I_{ref2}=350\mu A$	1.73	1.80	1.87	V

Symbol	Parameter	Test conditions	Limits			Unit
			Min	Typ	Max	
I_{OCSET}	OCSET terminal flow out current	$V_{OCSET}=220mV$	-1			μA
I_{SET1-1}	ISET1 terminal flow out current 1	Excluding charging time	30	50	85	μA
I_{SET1-2}	ISET1 terminal flow out current 2	When charging	-1			μA
I_{SET2-1}	ISET2 terminal flow out current 1	Excluding trickle charging time	30	50	85	μA
I_{SET2-2}	ISET2 terminal flow out current 2	When trickle charging	-1			μA

Driver

Symbol	Parameter	Test conditions	Limits			Unit
			Min	Typ	Max	
$V_{satChgSW}$	ChgSW terminal output flow out current	$I_{ChgSW}=30mA$	—	0.3	0.6	V
V_{satLED}	LED output low voltage	$I_{LED}=10mA$	—	0.3	0.6	V

Control Section

Symbol	Parameter	Test conditions	Limits			Unit
			Min	Typ	Max	
V_{IN}	Range of input voltage		0		V_{CC}	V
I_{Bias}	Input bias current		-1			μA
V_{PCL}	P.C output low voltage	$I_{P.C}=10mA$	—	0.3	0.6	V

Each SW Detection Terminal

Symbol	Parameter	Test conditions	Limits			Unit
			Min	Typ	Max	
I_{BattSW}	Batt SW terminal flow out current	$V_{CC}=7V, V_{BattSW}=0V$	-240	-140	-80	μA
V_{THBatt}	Batt SW terminal threshold voltage	$V_{CC}=7V$	3.0	4.0	5.0	V
I_{VTRSW}	VTR SW terminal flow out current	$V_{CC}=7V, V_{VTRSW}=0V$	-240	-140	-80	μA
V_{THVTR}	VTR SW terminal threshold voltage	$V_{CC}=7V$	3.0	4.0	5.0	V

SINGLE CHIP BATTERY CHARGER CONTROL IC

Internal Voltage Set-up

Symbol	Parameter	Test conditions	Limits			Unit
			Min	Typ	Max	
V _{VTR}	Set-up output voltage at VTR mode		828	864	900	mV
V _{CHG}	Set-up output voltage at charge mode		1.21	1.26	1.30	V
V _{ISET1}	Iset1 set-up voltage	When quick charging	124.8	130	135.2	mV
V _{ISET2}	Iset2 set-up voltage	When trickle charging	11.52	12.0	12.48	mV
V _{OCSET}	OCSET set-up voltage	When VTR mode	211.2	220	228.8	mV
V _{CHG}	Voltage at the start of quick charging		0.40	0.54	0.68	V
V _{OV}	Over-voltage set-up voltage		0.91	0.95	0.99	V
V _{-V}	- V detection set-up voltage	after initialization timer has passed	70	100	130	mV
V _{VTHH1}	Temperature detection set-up voltage	Temperature at the start of charging	0.91	0.97	1.01	V
V _{O/H}	Over-heating detection set-up voltage	Charge stop temperature	0.82	0.86	0.90	V

Internal Voltage Set-up

Symbol	Parameter	Test conditions	Limits			Unit
			Min	Typ	Max	
fosc	Oscillation frequency	R _c =30K ,C _c =2200pF	9.42	10.24	11.06	KHz
T _{m1}	Initialization timer 1	Battery voltage < 5V	18.4	20.0	21.6	min
T _{m2}	Initialization timer 2	Battery voltage 5V	4.6	5.0	5.4	min
T _{ms1}	Safety timer 1	When quick charging	4.6	5.0	5.4	hr
T _{ms2}	Safety timer 2	When trickle charging	4.6	5.0	5.4	hr
T _{oc}	Over-current detection time	When VTR mode	9.2	10.0	10.8	sec

Note:

Each timer is set at an oscillation frequency of 10.24KHz.

