

M62254FP

Standard Battery Charger Controller

DESCRIPTION

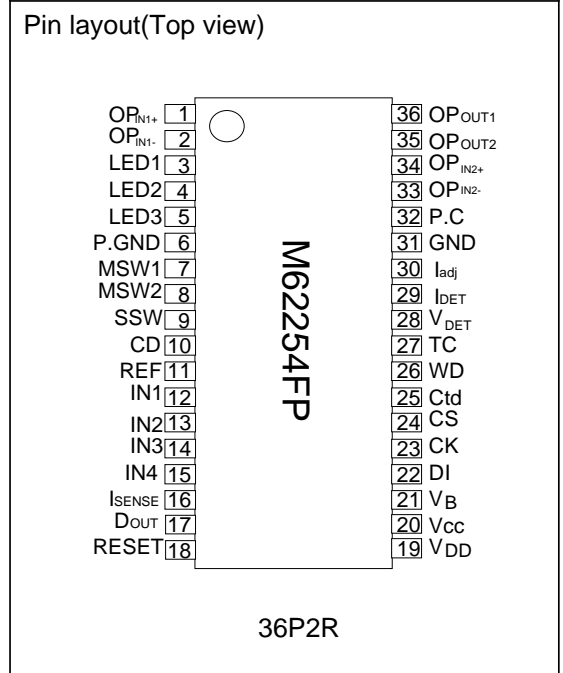
The M62254FP is designed as standard battery charger controller. The M62254FP has functions which require for the battery charge control on single chip. Not only the combination of M62254 and MCU capable of handling battery charge control, but also it is capable of monitoring battery temperature, prevent from over current or voltage, using minimal peripherals. It also has feedback function to the primary source of SW power supply, which can be used to control feedback of charge current and output voltage.

FEATURE

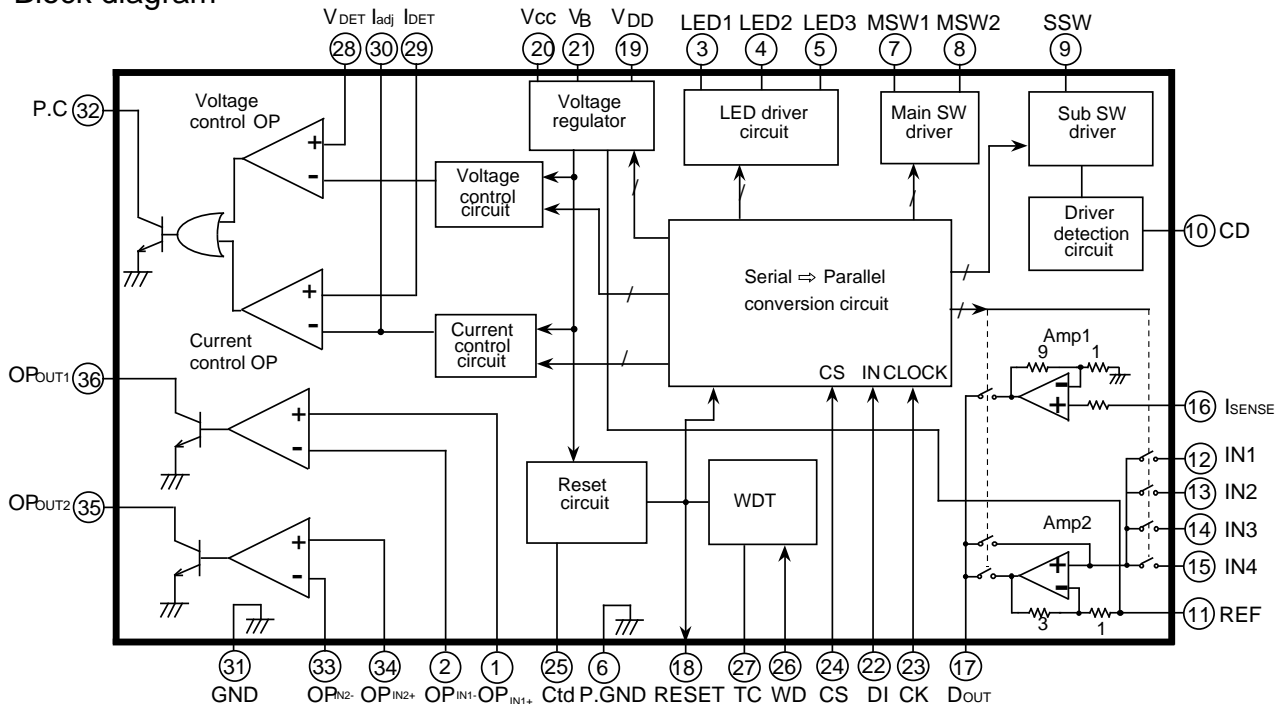
- Built-in Reset circuit and WDT function
- Built-in Multiplexer and Level magnification circuit with 4 input ports
- Built-in two standard stand alone OPamp
- Built-in Sub-switch circuit with feedback function
- Built-in 3 line serial data interface function
- Built-in Low input/output operation 5V voltage regulator function
- Built-in Charge current/output voltage control circuit

APPLICATIONS

- Video camera, Hand carry telephone and general battery charger for other digital equipments



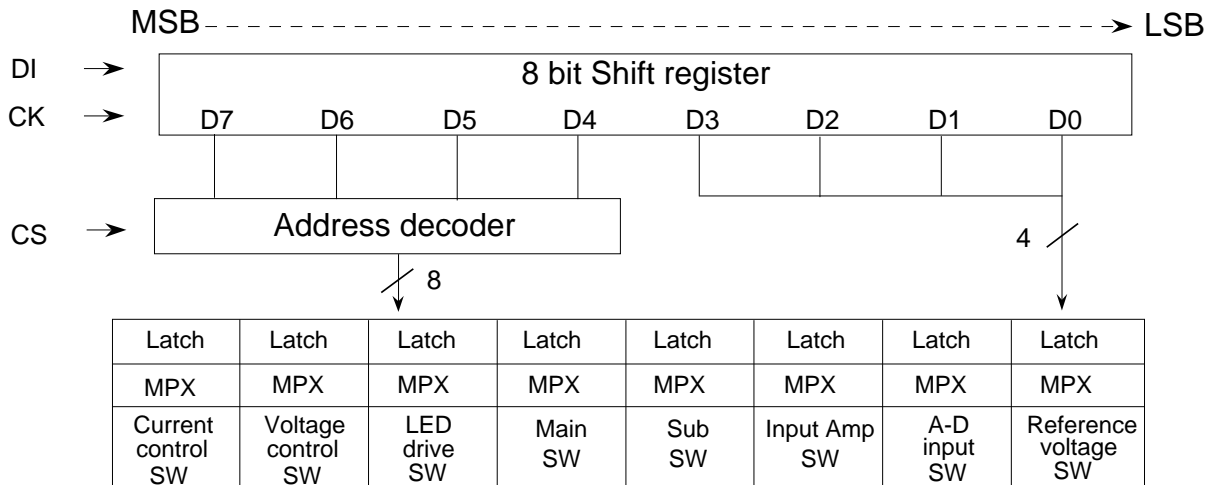
Block diagram



M62254FP

Standard Battery Charger Controller

«Digital Data Format»



«Data Setting»

Control Function	Address				Data				Description
	D7	D6	D5	D4	D3	D2	D1	D0	
RESET	0	0	0	0	-	-	-	-	All SW is OFF A-D reference voltage=0.4V Voltage setting reference voltage = 4.0V
Current control	0	0	0	1	-	-	-	-	See Table 1
Voltage control	0	0	1	0	-	-	-	-	See Table 2
LED driver select	0	0	1	1	-	-	-	-	See Table 3
Main SW	0	1	0	0	-	-	-	-	See Table 4
Sub SW	0	1	0	1	-	-	-	-	See Table 5
Amp.select	0	1	1	0	-	-	-	-	See Table 6
A-D input select	0	1	1	1	-	-	-	-	See Table 7
A-D Reference select	1	0	0	0	-	-	-	-	See Table 8

M62254FP

Standard Battery Charger Controller

Table1: Current control data

D3	D2	D1	D0	Current control OPamp input voltage	Current Ratio
0	0	0	0	0V	0
0	0	0	1	20mV	1/16
0	0	1	0	40mV	1/8
0	0	1	1	80mV	1/4
0	1	0	0	160mV	1/2
0	1	0	1	240mV	3/4
0	1	1	0	320mV	1
0	1	1	1	–	Trickle

* During trickle charge, use constant voltage mode and charge directly to the battery using external resistor

* 20mV is selected at RESET

Table2: Voltage control data

D3	D2	D1	D0	Voltage control OPamp input voltage	Voltage Ratio
0	0	0	0	0V	10
0	0	0	1	0.4V	1
0	0	1	0	0.8V	2
0	0	1	1	1.2V	3
0	1	0	0	1.6V	4
0	1	0	1	2.0V	5
0	1	1	0	2.4V	6
0	1	1	1	2.8V	7
1	0	0	0	3.2V	8
1	0	0	1	3.6V	9
1	0	1	0	4.0V	10
1	0	1	1	4.4V	11
1	1	0	0	4.8V	12

* Output port of MCU can be used to control the voltage and current settings

* 4.0V is selected at RESET

Table3: LED driver select

D2	D1	D0	LED3	LED2	LED1
0	0	0	OFF	OFF	OFF
0	0	1	OFF	OFF	ON
0	1	0	OFF	ON	OFF
0	1	1	OFF	ON	ON
1	0	0	ON	OFF	OFF
1	0	1	ON	OFF	ON
1	1	0	ON	ON	OFF
1	1	1	ON	ON	ON

Table4: Main SW

D1	D0	SW1	SW2
0	0	OFF	OFF
0	1	OFF	ON
1	0	ON	OFF
1	1	Not Select	

M62254FP

Standard Battery Charger Controller

Table5: Sub SW

D0	SW
0	OFF
1	ON

Table6: Amp. select

D1	D0	State
0	0	Select Amp1 output
0	1	Select Amp2 input
1	0	Select Amp2 output

* Amp1 output is selected at RESET

Table7: A-D input select

D1	D0	State
0	0	Select input 1
0	1	Select input 2
1	0	Select input 3
1	1	Select input 4

* Input 1 is selected at RESET

Table8: A-D Reference voltage select

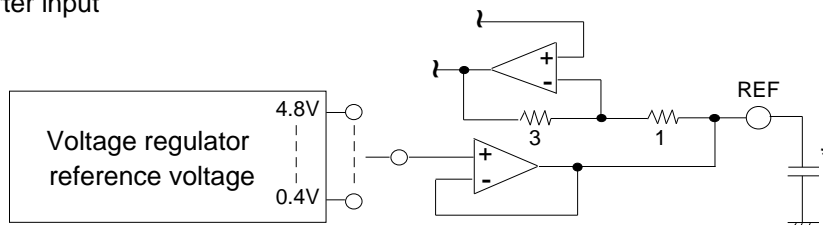
D3	D2	D1	D0	State
0	0	0	0	Select 0V
0	0	0	1	Select 0.4V
0	0	1	0	Select 0.8V
0	0	1	1	Select 1.2V
0	1	0	0	Select 1.6V
0	1	0	1	Select 2.0V
0	1	1	0	Select 2.4V
0	1	1	1	Select 2.8V
1	0	0	0	Select 3.2V
1	0	0	1	Select 3.6V
1	0	1	0	Select 4.0V
1	0	1	1	Select 4.4V
1	1	0	0	Select 4.8V

* 0.4V is selected at RESET

Note: All outputs will be OFF at RESET

«Function block descriptions»

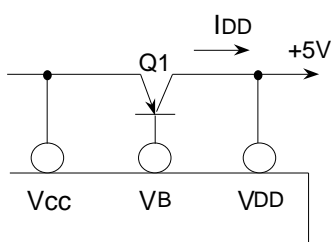
(1) A-D converter input



*Connect few 1000pF capacitor to stabilize the reference voltage

Select the desired reference voltage to be detected by serial data from the MCU. The input voltage level of IN1~IN4 will be magnified 4 times using selected reference voltage as a center. This magnified data will be returned to the A-D input port of the MCU. As a result, accuracy of the A-D converter of the MCU will be increased by 2 bit.

(2) +5V voltage regulator



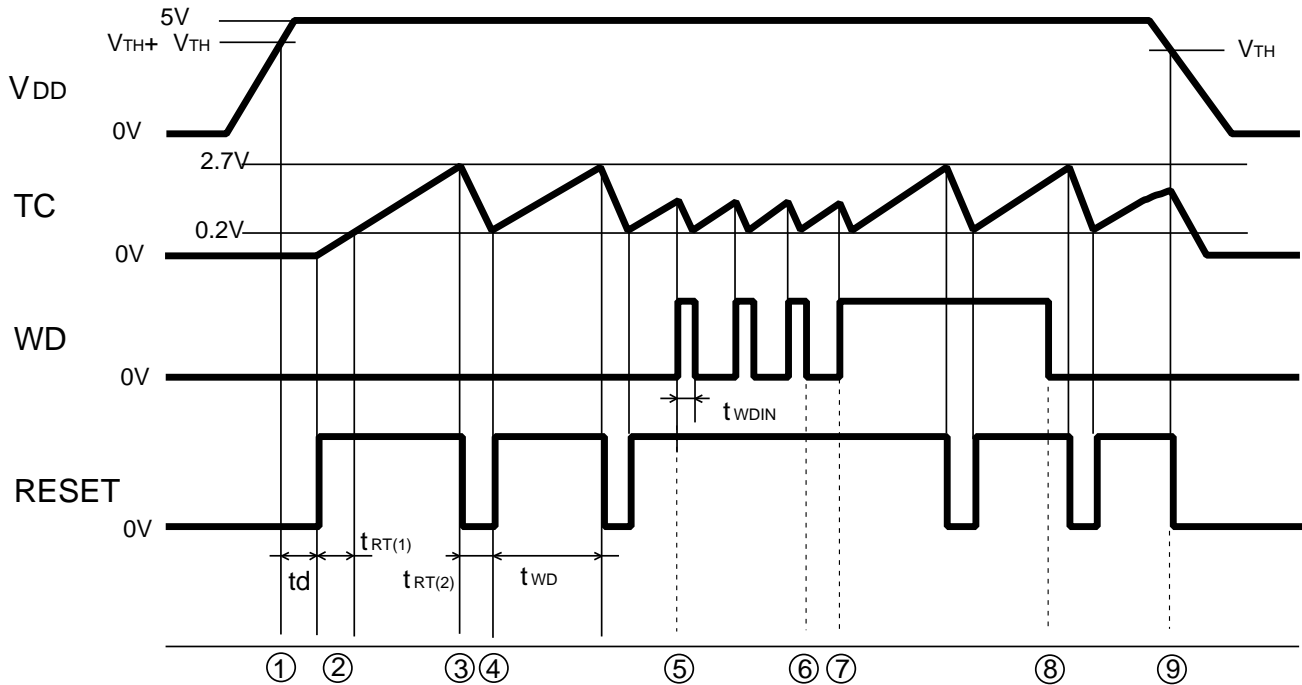
since it is capable of driving external PNP Tr. base up to 20mA, it can supply current of $I_{DD\ MAX} = 20mA \times Q1hFE$.

Also, since this is low I/O type power source, it can operate $V_{CC\ MIN} = V_{CC} - V_{DD} = 0.1V$.

M62254FP

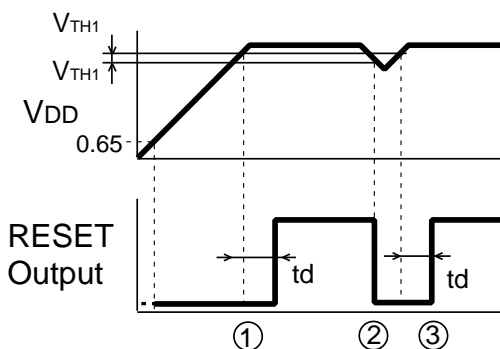
Standard Battery Charger Controller

(3) Watch Dog Timer



- ① When V_{DD} reaches $4.75V (V_{TH1+} - V_{TH1})$; after fixed amount of time (t_d), Reset pin outputs "High" and begin charging of the condenser connected TC pin.
- ② ③ When TC pin reaches $2.7V (V_{TH2(H)})$; the condenser connected TC pin begin discharge, and the Reset pin outputs "Low". During the Reset outputs "High" for the first time; the time of charge will be $t_{WD} + t_{RT(1)}$, since TC pin begin charging its condenser starting from $0V$.
- ④ When TC pin drops to $0.2V (V_{TH2(L)})$; the Reset will outputs "High" again. At same time, TC pin will begin charging again. Unless correct clock input is given to WD pin, the TC pin will repeats the charging from $0.2V$ to $2.7V$, and the Reset will also repeats "High" during the t_{WD} cycle, and "Low" during $t_{RT(2)}$ cycle.
- ⑤ ⑥ When correct clock input is given to WD pin before TC pin reaches $2.7V$, the Reset holds "High" output.
- ⑦ ⑧ When incorrect clock is given to WD pin, the TC pin will repeats the charging from $0.2V$ to $2.7V$, and the Reset will also repeats "High" during the t_{WD} cycle, and "Low" during $t_{RT(2)}$ cycle.
- ⑨ When V_{DD} drops down to $4.25V (V_{TH1})$, the Reset circuit will function, and it will output "Low" to Reset pin and TC pin changes to discharging state.

(4) Reset circuit



- ① When V_{DD} reaches $4.75V (V_{TH1+} - V_{TH1})$, the Reset outputs "High" after fixed amount of time (t_d).
- ② When V_{DD} drops below $4.25V (V_{TH1})$, the Reset outputs "Low"
- ③ When V_{DD} reaches $4.75V (V_{TH1+} - V_{TH1})$ again, the Reset outputs "High" after fixed amount of time (t_d). Also, Reset output will be "Low" until V_{DD} reaches $0.65V$ (typ).

M62254FP

Standard Battery Charger Controller

Word description:

- t_d : The time after V_{DD} reaching Reset release voltage to "High" Reset output.
 $t_{RT(1)}$: The time TC pin voltage changes from 0V to $V_{TH2(L)}$, when V_{DD} is given.
 t_{WD} : The time TC pin voltage changes from $V_{TH2(L)}$ to $V_{TH2(H)}$.
 $t_{RT(2)}$: The time TC pin voltage changes from $V_{TH2(H)}$ to $V_{TH2(L)}$.

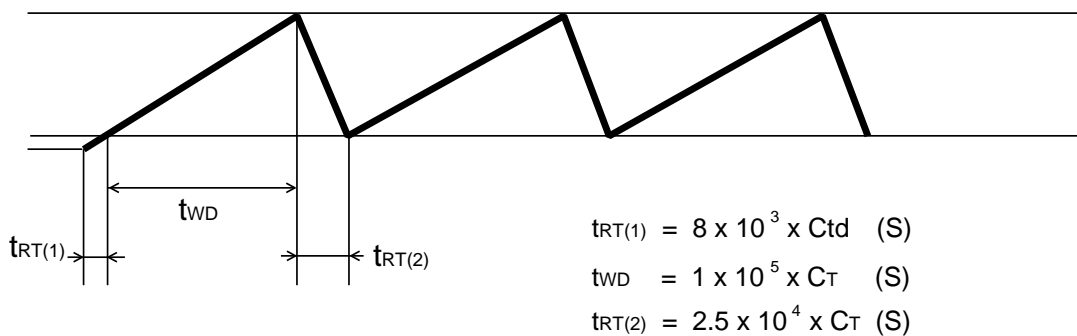
1. Regarding the pin (25) (Ctd pin) capacity and the delay time (t_d)

The delay time (t_d) of Reset output can be found using following equation.

$$t_d = 2 \times 10^5 \times C_{td} \text{ (S)}$$

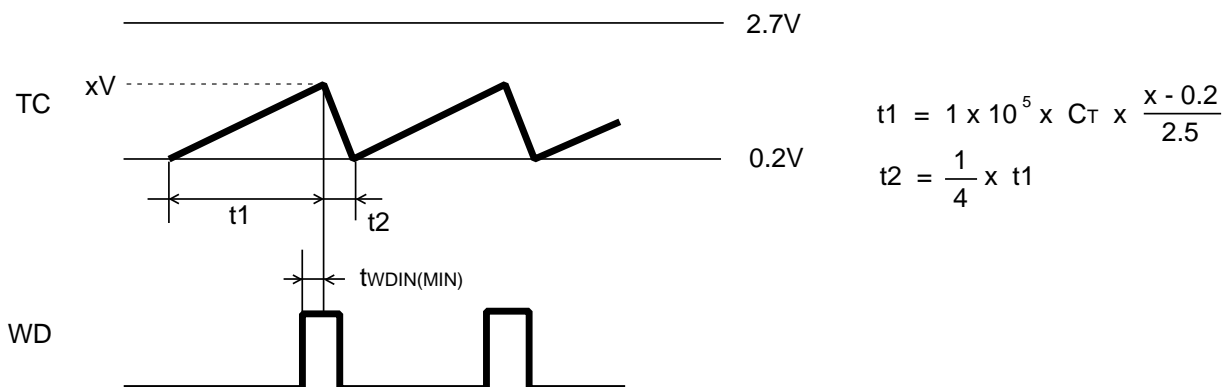
2. Regarding charge and discharge of pin (27) (TC pin)

When incorrect clock is given to the WD pin, the voltage level of TC pin will be changed as show below.



3. Regarding the input clock, input pulse width, charging time, and discharging time of pin (26) (WD pin)

When correct clock is given to the WD pin, the voltage level of TC pin will be changed as show below.



Please, set the pulse width (t_{WDIN}) more than $t_{WDIN(MIN)}$.

M62254FP

Standard Battery Charger Controller

Pin description

Pin #	Symbol	Description
24	CS	The serial data input pin which used to receives 8 bit wide serial data.
23	CK	The shift clock input pin which takes the input signal of DI pin to 8 bit shift register by the rising edge of the clock signal.
22	DI	When CS pin is "Low", this pin can receive the data into the 8 bit shift register. The each bit will be latched at rising edge of the clock signal.
17	DOUT	The output pin of the amplified A-D input.
11	REF	The reference voltage output pin of the A-D converter.
12~15	IN1~4	The A-D converter input pin.
16	ISENSE	The current sense input pin.
10	CD	The input pin for the current detection to feed back of sub-switch driver.
9	SSW	The sub-switch driver output pin.
7, 8	MSW1~2	The main switch driver output pin. (Open collector)
3~5	LED1~3	The LED driver output pin. (Open collector)
19	VDD	The stabilized +5V output pin.
21	VB	The pre-drive pin which used to connect the external PNP Tr.
20	Vcc	The power supply pin.
29	IDET	The current detection input pin.
30	Iadj	The input pin for current detection adjustment.
28	VDET	The voltage detection input pin.
32	P.C	The feedback pin for voltage and current control.
2, 33	OPIN1-,IN2-	The inverted input pin of Op. amp.
1, 34	OPIN1+,IN2+	The non-inverted input pin of Op. amp.
36, 35	OPOUT1,2	The Op. amp. output pin. (Open collector output)
31	GND	The ground pin.
6	P.GND	The ground pin of power unit. (Main switch driver and LED driver)
18	RESET	The output pin of Reset and WDT. (Pulled up to VDD)
27	TC	The pin used to connect capacitor to determine the time constant of WDT.
26	WD	The input pin of the WDT.
25	Ctd	The pin used to connect capacitor to determine delay time the output after the Reset.

M62254FP

Standard Battery Charger Controller

Absolute Maximum Ratings

Items	Symbols	Condition	Ratings	Unit
Power supply voltage	V _{CC}		16	V
Main switch drive current	I _{SW}		200	mA
Sub switch drive current	I _{SUB}		-5	mA
LED drive current	I _{LED}		30	mA
Regulator output current	I _B		20	mA
P.C drive current	I _{PC}		10	mA
Main switch max. voltage	V _{SW}		V _{CC}	V
Sub switch max. voltage	V _{SUB}		V _{CC}	V
LED max. drive voltage	V _{LED}		V _{CC}	V
P.C max. voltage	V _{PC}		V _{CC}	V
Power dissipation	P _d		650	mW
Thermal derating ratio	K θ		6.5	mW/°C
Operating temperature	T _{opr}		-20~+85	°C
Storage temperature	T _{stg}		-40~+125	°C

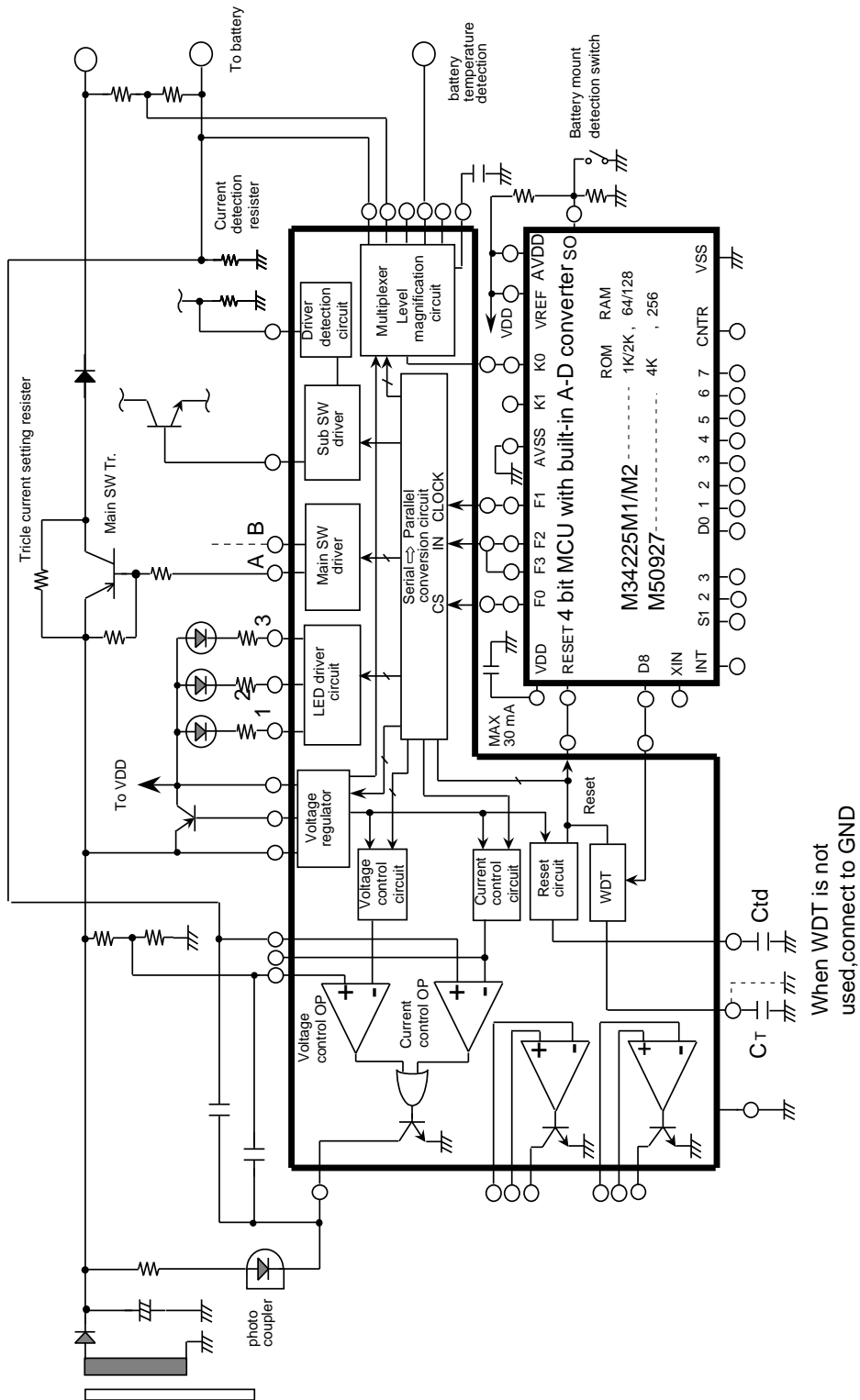
Electrical Characteristics (T_a=25°C, V_{CC}=12V, I_{SW}=50mA, I_{LED}=20mA unless specified otherwise)

Block	Items	Symbols	Conditions	Standard			Unit
				Min	Typ	Max	
5V power supply	Power supply voltage	V _{CC}		V _{DD} +0.2		15	V
	Circuit current	I _{CC}			15		mA
	Stabilized voltage output	V _{DD}	I _B = 10mA	4.75	5.00	5.25	V
	Input variable ratio	Reg-in	V _{DD} + 0.2V		50	200	mV
	Load variable ratio	Reg-L	I _{DD} = 1~100mA		10	100	mV
	Ripple remove ratio	R.R	f = 120Hz, V _{in} = 0dbm		60		dB
WDT / RESET	Min. I/O voltage difference	V _{DEF}			0.2		V
	V _{DD} detection voltage	V _{TH1}		4.05	4.25	4.45	V
	Hysteresis voltage	V _{TH1}		30	50	80	mV
	WD input current	I _{WD}	V _{WD} = +5V		0.15		mA
	WD "H" input voltage	V _{WDH}		3.5			V
	WD "L" input voltage	V _{WDL}				1.5	V
	TC charge current	I _{TCH}			25		μA
	TC discharge current	I _{TCL}			100		μA
	Reset output saturation voltage	V _{RESL}	I _{RES} = 1mA		0.2	0.4	V
	WDT time	t _{WD}			1x10 ⁵ C _T		S
	Reset timer time	t _{RT}			2.5x10 ⁴ C _T		S
	Reset output delay time	t _d			2x10 ⁵ C _{td}		S
	Min. input pulse width	t _{WDIN(MIN)}		5	10	20	μs

M62254FP

Standard Battery Charger Controller

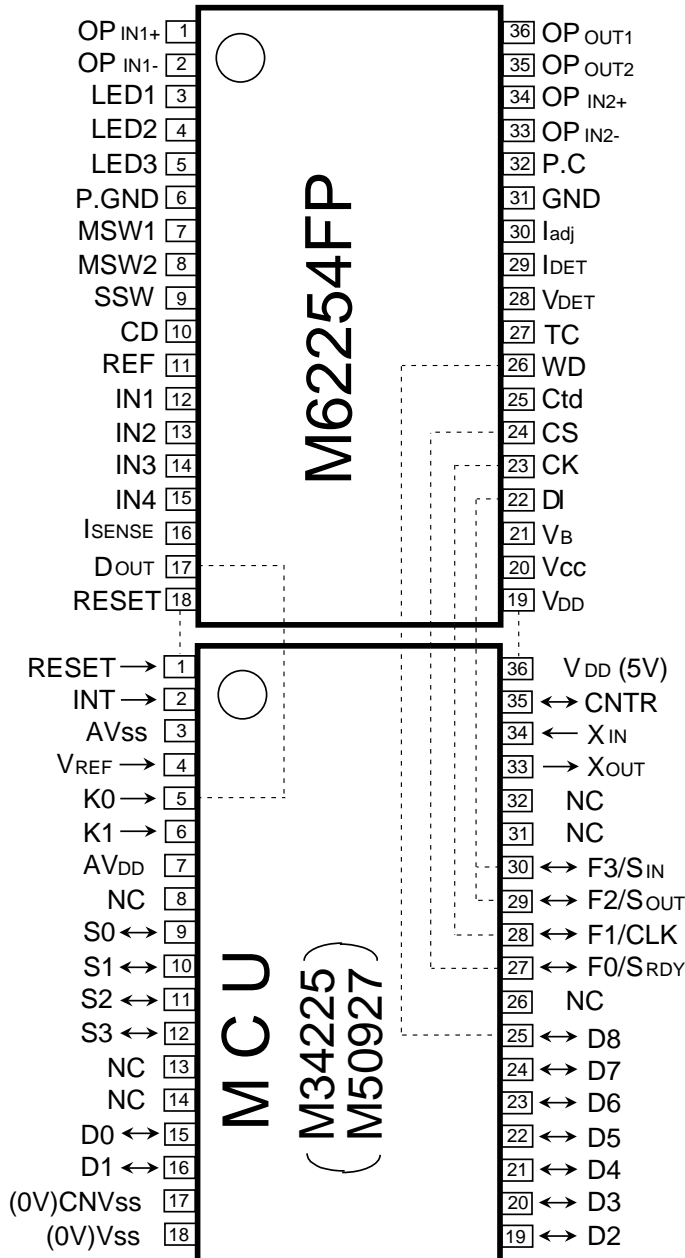
<Application example of M62254FP>



M62254FP

Standard Battery Charger Controller

< MCU and its connection layout >



Outline : 36P2R

Actual size

