

M62413FP

ELECTRONIC SOUND CONTROL WITH ELECTRONIC VOLUME FOR MULTIPLE SOURCES

DESCRIPTION

The M62413FP Integrated Circuit is developed for audio-visual equipment.

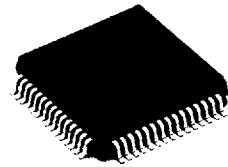
It being used for controls sound in the power amplifier front stage.

This IC having are 2 channel input selector with 4 inputs, master volume control [by the VCA (voltage controlled amplifier) system], tone controls (bass, mid, treble) and super bass that IC can be operated by using serial data from microcomputer.

This IC can be applied to not only audio systems but also TV.

FEATURES

- Built-in electronic volume circuit for main volume control
- Volume variation range..... - 96dB to + 9dB
- With built-in bus boost circuit, bass can be intensified
- Sound control
 - Treble..... - 10dB to + 16dB(2dB/step)
 - Mid..... - 10dB to + 10dB(2dB/step)
 - Bass..... - 10dB to + 16dB(2dB/step)
 - Super bass..... - 12dB to + 12dB(2dB and 3dB/step)
- Volume is controlled by 8-bit serial data from micro-computer
 - Treble, mid, bass and super bass are controlled each by 4-bit serial data
- Built-in microcomputer interface circuit
- Built-in selector circuit (4 inputs)
- Built-in output ports (9 lines)

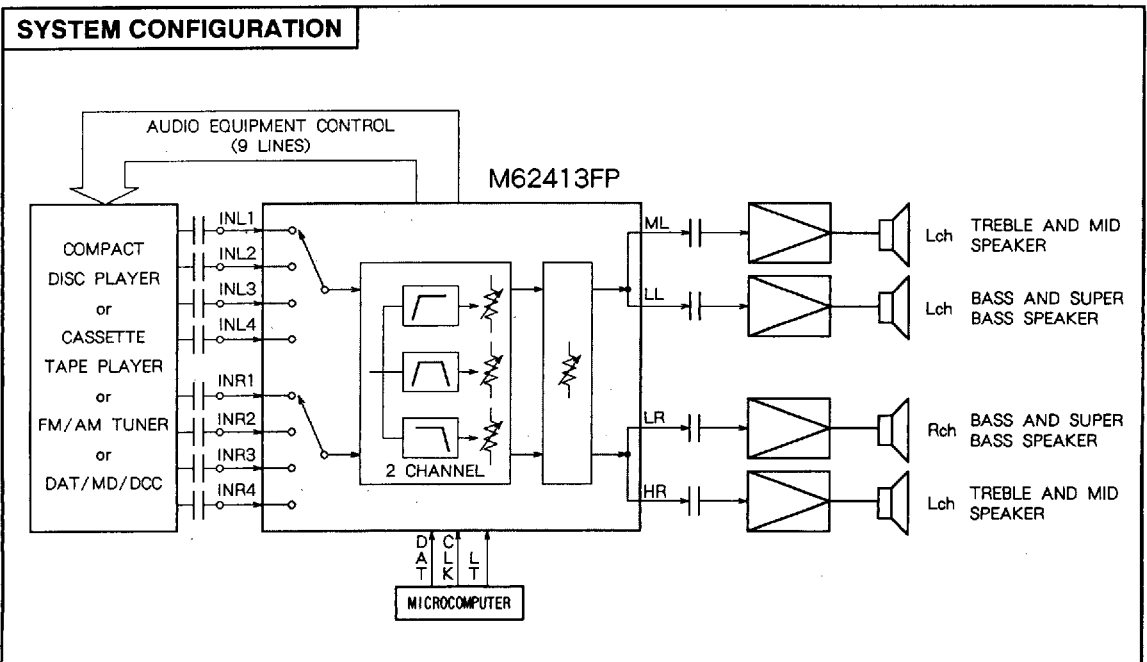


Outline 64P6N-A

0.8mm pitch QFP
(14.0mm × 14.0mm × 2.8mm)

RECOMMENDED OPERATING CONDITIONS

Supply voltage range..... $V_{CC} = 7.5$ to $12V$
 Rated supply voltage..... $V_{CC} = 9V$

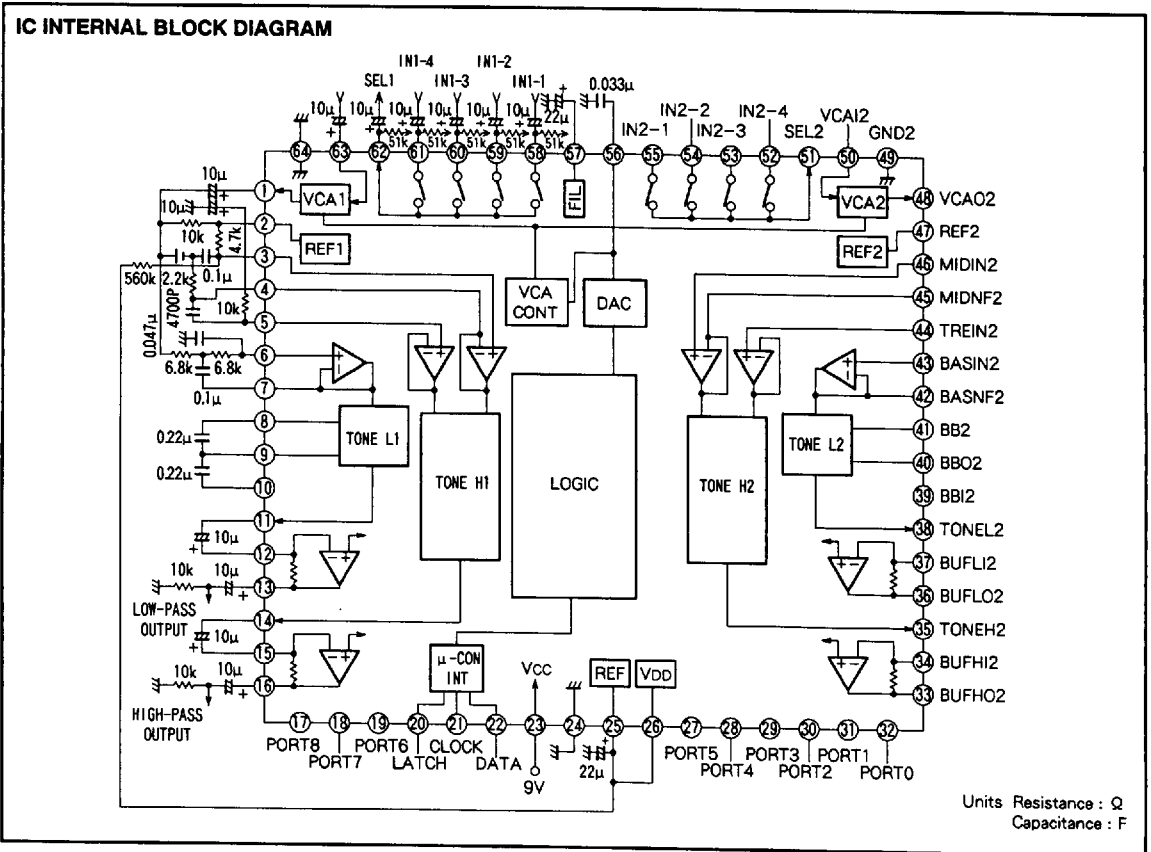
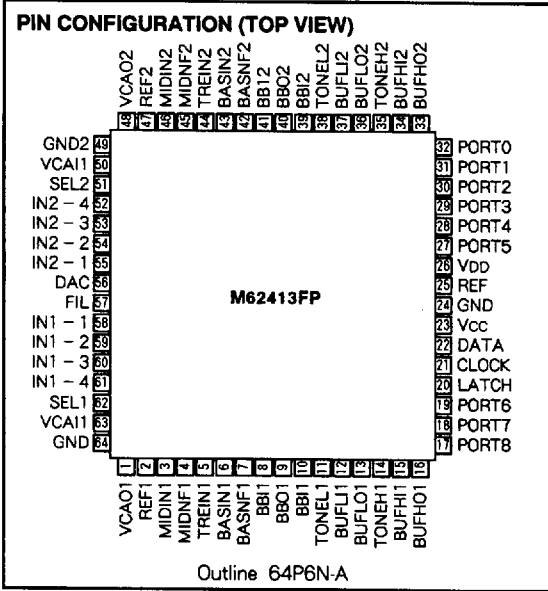


6249826 0022195 T88



M62413FP

ELECTRONIC SOUND CONTROL WITH ELECTRONIC VOLUME FOR MULTIPLE SOURCES



6249826 0022196 914

ELECTRONIC SOUND CONTROL WITH ELECTRONIC VOLUME FOR MULTIPLE SOURCES

PIN DESCRIPTION

Pin No.	Symbol	DC voltage(V)	I/O	Equivalent circuit
① ④⑧	VCA01 VCA02	3.5	O	
② ⑦	REF1 REF2	3.5	O	
⑤ ④④	TREIN1 TREIN2	-	I	
③ ⑤⑤ ⑥ ④③	MIDIN1 MIDIN2 BISIN1 BISIN2	-	I	
④ ⑤⑤ ⑦ ④②	MIDNF1 MIDNF2 BASNF1 BASNF2	-	I	
⑧ ④①	BBI1 BBI2	1.75	-	
⑩ ④③	TONEL1 TONEL2	1.75	O	
⑨ ④④	BBO1 BBO2	2.3	O	
⑩ ④③	BBI1 BBI2	3.0	I	

6249826 0022197 850

ELECTRONIC SOUND CONTROL WITH ELECTRONIC VOLUME FOR MULTIPLE SOURCES

PIN DESCRIPTION (Continued)

Pin No.	Symbol	DC voltage(V)	I/O	Equivalent circuit
12 37	BUFLI1 BUFLI2	3.5	I	
13 36	BUFL01 BUFL02	3.5	O	
14 35	TONEH1 TONEH2	1.75	O	
15 34	BUFHI1 BUFHI2	3.5	I	
16 33	BUFHO1 BUFHO2	3.5	O	
17 32	PORT8 PORT0	H : 4.4 L : 0	O	
18 19 27 28 29 30 31	PORT7 PORT6 PORT5 PORT4 PORT3 PORT2 PORT1	-	O	
20 21 22	LATCH CLOCK DATA	-	I	

ELECTRONIC SOUND CONTROL WITH ELECTRONIC VOLUME FOR MULTIPLE SOURCES

PIN DESCRIPTION (Continued)

Pin No.	Symbol	DC voltage(V)	I/O	Equivalent circuit
23	Vcc	9	-	
24	GND	0	-	
25	REF	5.8	0	
26	VDD	-	I	
49	GND	0	-	
64	GND	0	-	
50	VCAI2	3.9	I	
63	VCAI1			
51	SEL1	-	0	
62	SEL2	-	0	
52	IN2 - 1	-	I	
61	IN1 - 1			
53	IN2 - 2			
60	IN1 - 2			
54	IN2 - 3			
59	IN1 - 3			
55	IN2 - 4			
60	IN1 - 4			
56	DAC	0~5.8	0	
57	FIL	8.9	I	

6249826 0022199 623



ELECTRONIC SOUND CONTROL WITH ELECTRONIC VOLUME FOR MULTIPLE SOURCES

ABSOLUTE MAXIMUM RATINGS (Ta = 25°C, unless otherwise noted)

Symbol	Parameter	Ratings	Unit
Vcc	Supply voltage	14	V
Vi	Digital input voltage	- 0.3 to 7.0	V
Pd	Power dissipation	1000*Standard circuit board	mW
Ke	Thermal derating	10	mW/°C
Topr	Operating temperature	- 10 to + 70	°C
Tstg	Storage temperature	- 40 to + 125	°C

ELECTRICAL CHARACTERISTICS

(Ta = 25°C, Vcc = 9V, control data (volume maximum/tone flat) and f = 1kHz unless otherwise noted)

Block name	Symbol	Parameter	Test conditions								Limits			Unit			
			Input condition	Number of data	SW conditions								Test point		Min	Typ	Max
					SA 1	SA 2	SB 1	SB 2	SC 1	SC 2	SD						
Power supply	Icc	Circuit current	Quiescent	1	OFF	OFF	OFF	OFF	OFF	OFF	a	PIN23	33	45	57	mA	
	VREF	Reference voltage	↑	↑	↑	↑	↑	↑	↑	↑	↑	PIN25	5.3	5.8	6.3	V	
	VFIL	Filter voltage	↑	↑	↑	↑	↑	↑	↑	↑	↑	PIN57	8.2	8.9	-	V	
Logic input	IiH	"H" level input current	V _{iH} = 4.5V	-	↑	↑	↑	↑	↑	↑	b	PIN20 PIN21 PIN22	0.3	1	3	μA	
	IiL	"L" level input current	V _{iL} = 0.5V	-	↑	↑	↑	↑	↑	↑	↑	↑	- 0.3	0	0.3	μA	
	V _{iH}	"H" level input voltage	(Recommended condition)	-	↑	↑	↑	↑	↑	↑	↑	↑	3.6	4.5	5	V	
	V _{iL}	"L" level input voltage	(Recommended condition)	-	↑	↑	↑	↑	↑	↑	↑	↑	0	0.5	1.4	V	
Logic output	VPTH	PORT0	I _{oH} = - 1mA	1	OFF	OFF	OFF	OFF	OFF	OFF	a	PIN32	3.5	4.4	-	V	
	VPTL		I _{oL} = 4mA	2	↑	↑	↑	↑	↑	↑	↑	PIN32	-	0.3	0.5		
	IP1H	PORT1	V _{oH} = 9V	1	↑	↑	↑	↑	↑	↑	↑	PIN31	-	0	20	μA	
	VP1L		I _{oL} = 5mA	3	↑	↑	↑	↑	↑	↑	↑	PIN31	-	0	0.5	V	
	IP2H	PORT2	V _{oH} = 9V	1	↑	↑	↑	↑	↑	↑	↑	PIN30	-	0	20	μA	
	VP2L		I _{oL} = 5mA	4	↑	↑	↑	↑	↑	↑	↑	PIN30	-	0	0.5	V	
	IP3H	PORT3	V _{oH} = 9V	1	↑	↑	↑	↑	↑	↑	↑	PIN29	-	0	20	μA	
	VP3L		I _{oL} = 5mA	5	↑	↑	↑	↑	↑	↑	↑	PIN29	-	0	0.5	V	
	IP4H	PORT4	V _{oH} = 9V	1	↑	↑	↑	↑	↑	↑	↑	PIN28	-	0	20	μA	
	VP4L		I _{oL} = 5mA	6	↑	↑	↑	↑	↑	↑	↑	PIN28	-	0	0.5	V	
	IP5H	PORT5	V _{oH} = 9V	1	↑	↑	↑	↑	↑	↑	↑	PIN27	-	0	20	μA	
	VP5L		I _{oL} = 5mA	7	↑	↑	↑	↑	↑	↑	↑	PIN27	-	0	0.5	V	
	IP6H	PORT6	V _{oH} = 9V	1	↑	↑	↑	↑	↑	↑	↑	PIN19	-	0	20	μA	
	VP6L		I _{oL} = 5mA	8	↑	↑	↑	↑	↑	↑	↑	PIN19	-	0	0.5	V	
	IP7H	PORT7	V _{oH} = 9V	1	↑	↑	↑	↑	↑	↑	↑	PIN18	-	0	20	μA	
	VP7L		I _{oL} = 5mA	9	↑	↑	↑	↑	↑	↑	↑	PIN18	-	0	0.5	V	
VP8H	PORT8	I _{oH} = - 1mA	1	↑	↑	↑	↑	↑	↑	↑	↑	PIN17	3.5	4.4	-	V	
VP8L		I _{oL} = 4mA	10	↑	↑	↑	↑	↑	↑	↑	↑	PIN17	-	0.3	0.5		
IP8OPEN		V _o = 0V~5V	11	↑	↑	↑	↑	↑	↑	↑	↑	PIN17	- 20	-	20	μA	
Selector	Gvs	Gain	V _i = - 25dBV	12~15	ON	ON	↑	↑	↑	↑	↑	A(1), A(2)	- 1.0	0	1.0	dB	
	THDs	Total harmonic distortion	V _i = -25dBV, 400Hz to 30kHz	12~15	↑	↑	↑	↑	↑	↑	↑	A(1), A(2)	-	0.01	0.1	%	
	THD _{Smax}	Maximum total harmonic distortion	V _i = -14dBV, 400Hz to 30kHz	12~15	↑	↑	↑	↑	↑	↑	↑	A(1), A(2)	-	0.1	1.0	%	
Switching offset	OFSTM1	Treble/mid switching offset voltage	No signals (measure of data switching offset)	16→17	OFF	OFF	↑	↑	↑	↑	↑	PIN14 PIN35	- 20	0	+ 20	mV	
	OFSSB1	Boost switching offset voltage 1	↑	1→18	↑	↑	↑	↑	↑	↑	↑	PIN8 PIN41	- 10	0	+ 10	mV	
	OFSSB2	Boost switching offset voltage 2	↑	1→19	↑	↑	↑	↑	↑	↑	↑	PIN8 PIN41	- 10	0	+ 10	mV	

ELECTRONIC SOUND CONTROL WITH ELECTRONIC VOLUME FOR MULTIPLE SOURCES

ELECTRICAL CHARACTERISTICS (Continued)

Block name	Symbol	Parameter	Test conditions								Test point	Limits			Unit		
			Input condition	Number of data	SW conditions												
					SA 1	SA 2	SB 1	SB 2	SC 1	SC 2		SD	Min	Typ		Max	
Channel balance	CBVT	Total channel balance 1	-	-	-	-	-	-	-	-	-	CB + CBT	-3	0	3	dB	
	CBVM	Total channel balance 2	-	-	-	-	-	-	-	-	-	CB + CBM	-3	0	3	dB	
	CBVB	Total channel balance 3	-	-	-	-	-	-	-	-	-	CB + CBBA	-3	0	3	dB	
Electronic volume	ATT(min)	Minimum attenuation level	Reference [ⓐ] Vi=-14dBV	1	OFF	OFF	ON	ON	OFF	OFF	a	B(1),B(2)	7.2	9	10.8	dB	
	CB	Channel balance	↑	↑	↑	↑	↑	↑	↑	↑	↑	B(1)/B(2)	-1.8	0	1.8	dB	
	THD	Total harmonic distortion	Vi=-14dBV, BPF =400Hz to 30kHz [ⓐ]	↑	↑	↑	↑	↑	↑	↑	↑	B(1),B(2)	-	0.02	0.1	%	
	No(min)	Noise voltage	Quiectet, JIS - A	↑	↑	↑	OFF	OFF	↑	↑	↑	↑	↑	-	25	56	μVrms
	THDmax	Maximum total harmonic distortion	Vi=-3dBV, BPF =400Hz to 30kHz [ⓐ]	1	↑	↑	ON	ON	↑	↑	↑	↑	↑	-	0.1	1.0	%
	ATT(-10)	Attenuation(-10dB)	Reference [ⓐ] Vi=-14dBV	20	↑	↑	↑	↑	↑	↑	↑	↑	↑	-2.8	-1.0	0.8	dB
	ATT(max)	Maximum attenuation	Vi = -3dBV, JIS - A [ⓐ]	21	↑	↑	↑	↑	↑	↑	↑	↑	↑	-	-97	-77	dB
	No	Noise voltage under maximum attenuation	Quiectet, JIS - A	21	↑	↑	OFF	OFF	↑	↑	↑	↑	B(1),B(2)	-	10	20	μVrms
	CT	Crosstalk	Vi = -3dBV, JIS - A [ⓐ]	1	↑	↑	OFF ON	ON OFF	↑	↑	↑	↑	B(1) B(2)	-	-90	-70	dB
Treble	GVT	Gain	Reference [ⓐ] Vi=-14dBV	1	OFF	OFF	OFF	OFF	ON ab=ON	ON ab=ON	a	D(1),D(2)	-6	-4	-2	dB	
	CBT	Channel balance	↑	↑	↑	↑	↑	↑	↑	↑	↑	D(1)/D(2)	-2	0	+2	dB	
	THDH	Total harmonic distortion	↑ BPF=400Hz to 30kHz	↑	↑	↑	↑	↑	↑	↑	↑	↑	D(1),D(2)	-	0.01	0.1	%
	NoT	Noise voltage	Quiectet, JIS - A	1	↑	↑	↑	↑	OFF	OFF	↑	↑	↑	-	11	22	μVrms
	THDTmax	Maximum total harmonic distortion	Vi=-6dBV, BPF =400Hz to 30kHz [ⓐ]	22	↑	↑	↑	↑	ON ab=ON	ON ab=ON	↑	↑	↑	-	0.1	1	%
	GVT(max)	Maximum gain	Reference [ⓐ] Vi=-14dBV	22	↑	↑	↑	↑	↑	↑	↑	↑	↑	+10	+12	+14	dB
	GVT(min)	Minimum gain	↑	23	↑	↑	↑	↑	↑	↑	↑	↑	D(1),D(2)	-16	-14	-12	dB
	CTT	Crosstalk	Reference Vi=-6dBV JIS-A [ⓐ]	22	↑	↑	↑	↑	OFF ON	ON OFF	↑	↑	D(1) D(2)	-	-80	-60	dB
Mid	GVM	Gain	Reference [ⓐ] Vi=-14dBV	1	OFF	OFF	OFF	OFF	ON ab=ON	ON ab=ON	a	D(1),D(2)	-6	-4	-2	dB	
	CBM	Channel balance	↑	↑	↑	↑	↑	↑	↑	↑	↑	↑	D(1)/D(2)	-2	0	+2	dB
	THDM	Total harmonic distortion	↑ BPF = 400Hz~30kHz	↑	↑	↑	↑	↑	↑	↑	↑	↑	D(1),D(2)	-	0.01	0.1	%
	NoM	Noise voltage	Quiectet, JIS - A	1	↑	↑	↑	↑	OFF	OFF	↑	↑	↑	-	11	22	μVrms
	THDMmax	Maximum total harmonic distortion	Vi=0dBV, BPF =400Hz to 30kHz [ⓐ]	24	↑	↑	↑	↑	ON ab=ON	ON ab=ON	↑	↑	↑	-	0.1	1	%
	GVM(max)	Maximum gain	Reference [ⓐ] Vi=-14dBV	24	↑	↑	↑	↑	↑	↑	↑	↑	↑	+4	+6	+8	dB
	GVM(min)	Minimum gain	↑	25	↑	↑	↑	↑	↑	↑	↑	↑	D(1),D(2)	-16	-14	-12	dB
	CTM	Crosstalk	Reference Vi=-6dBV JIS-A [ⓐ]	24	↑	↑	↑	↑	OFF ON	ON OFF	↑	↑	D(1) D(2)	-	-80	-60	dB
Bass	GVBA	Gain	Reference [ⓐ] Vi=-14dBV	1	OFF	OFF	OFF	OFF	ON C=ON	ON C=ON	a	C(1),C(2)	-6	-4	-2	dB	
	CBBA	Channel balance	↑	↑	↑	↑	↑	↑	↑	↑	↑	↑	C(1)/C(2)	-2	0	+2	dB
	THDBA	Total harmonic distortion	↑ BPF = 400Hz~30kHz	↑	↑	↑	↑	↑	↑	↑	↑	↑	C(1),C(2)	-	0.01	0.1	%
	NoBA	Noise voltage	Quiectet, JIS - A	1	↑	↑	↑	↑	OFF	OFF	↑	↑	↑	-	10	20	μVrms
	THDBAmax	Maximum total harmonic distortion	Vi=-6dBV, BPF =400Hz to 30kHz [ⓐ]	26	↑	↑	↑	↑	ON C=ON	ON C=ON	↑	↑	↑	-	0.1	1	%
	GVBA(max)	Maximum gain	Reference [ⓐ] Vi=-14dBV	26	↑	↑	↑	↑	↑	↑	↑	↑	↑	10	12	14	dB
	GVBA(min)	Minimum gain	↑	27	↑	↑	↑	↑	↑	↑	↑	↑	C(1),C(2)	-16	-14	-12	dB
	CTBA	Crosstalk	Reference Vi=-6dBV JIS-A [ⓐ]	26	↑	↑	↑	↑	OFF ON	ON OFF	↑	↑	C(1) C(2)	-	-80	-60	dB
	THDBBmax	Boost maximum total harmonic distortion	Vi=-22dBV, BPF =400Hz to 30kHz [ⓐ]	28	↑	↑	↑	↑	ON C=ON	ON C=ON	↑	↑	C(1),C(2)	-	0.1	1	%
GVBB(max)	Boost maximum total harmonic gain	Vi = -10dBV [ⓐ]	18	↑	↑	↑	↑	↑	↑	↑	↑	↑	10	12	14	dB	
GVBB(min)	Boost minimum total harmonic gain	↑	19	↑	↑	↑	↑	↑	↑	↑	↑	C(1),C(2)	-22	-20	-18	dB	

Note 1. Vi: Input voltage ①=VCA, ②=HPF, ③=BPF, ④=LPF

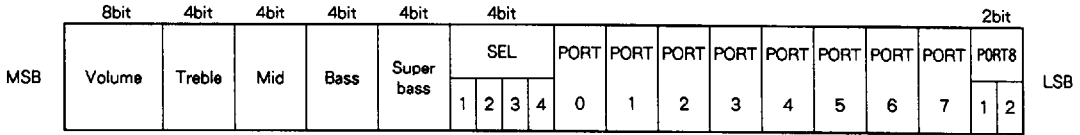
6249826 0022201 001



ELECTRONIC SOUND CONTROL WITH ELECTRONIC VOLUME FOR MULTIPLE SOURCES

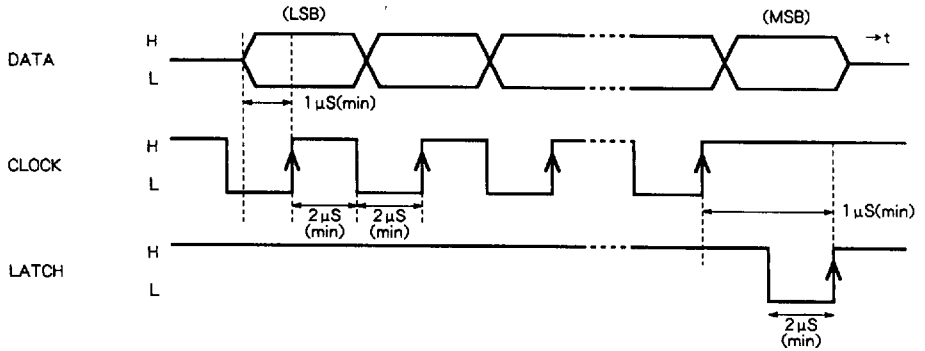
DIGITAL CONTROL SPECIFICATIONS

Data format (Refer to data setting table in the next page)



VOLUME	: 00 to FF (8BIT D/A DATA)	SEL	: 4BITS FOR INPUT SWITCHING
TREBLE	: 0 to D (14 STEPS)	PORT0	: TTL OUTPUT
MID	: 0 to A (11 STEPS)	PORT1 to 7	: OPEN COLLECTOR OUTPUT
BASS	: 0 to D (14 STEPS)	PORT8	: 2BITS ; 3-STATE OUTPUT
SUPER BASS	: 0		
	1 to 5		
	9 to D		

TIMING CHART (Recommended conditions)



Note 1. CLOCK and LATCH are operat at rising edges of pulse.
 2. Logic input buffer threshold voltage is about 2.5V.

ELECTRONIC SOUND CONTROL WITH ELECTRONIC VOLUME FOR MULTIPLE SOURCES

VCA, tone data setting table

D/A converter for VCA		Treble		Mid		Bass		Super bass	
Data	Setting	Data	Setting	Data	Setting	Data	Setting	Data	Setting
00	V_Z	0	-10dB	0	-10dB	0	-10dB	0	±0dB
01	$\frac{255V_Z + V_F}{256}$	1	-8dB	1	-8dB	1	-8dB	1	-2dB
		2	-6dB	2	-6dB	2	-6dB	2	+4dB
		3	-4dB	3	-4dB	3	-4dB	3	+6dB
		4	-2dB	4	-2dB	4	-2dB	4	+9dB
		5	±0dB	5	±0dB	5	±0dB	5	+12dB
		6	+2dB	6	+2dB	6	+2dB	6	-
		7	+4dB	7	+4dB	7	+4dB	7	-
		8	+6dB	8	+6dB	8	+6dB	8	-
		9	+8dB	9	+8dB	9	+8dB	9	-2dB
		A	+10dB	A	+10dB	A	+10dB	A	-4dB
		B	+12dB	B	-	B	+12dB	B	-6dB
		C	+14dB	C	-	C	+14dB	C	-9dB
		D	+16dB	D	-	D	+16dB	D	-12dB
		FE	$\frac{2V_Z + 254V_F}{256}$	E	-	E	-	E	-
FF	$\frac{V_Z + 255V_F}{256}$	F	-	F	-	F	-	F	-

Note 1. All data is design values. V_Z and V_F are internal power supply voltages. Between +12dB and +16dB of treble and bass are for loudness control.

2. Data is shown by the hexadecimal notation.

Input selector, output port data setting table

SELECTOR				PORT 0		PORT 1~7		PORT8			
Data		Input mode		Data	Output TTL/OUT	Data	Output open collector	Data	Output		
1	2	3	4					1	2		
L	L	L	H	IN1 - 4, IN2 - 4	H	H(TTL)	H	OPEN	H	H	H(TTL)
L	L	H	L	IN1 - 3, IN2 - 3	L	L(TTL)	L	CLOSE	H	L	L(TTL)
L	H	L	L	IN1 - 2, IN2 - 2	-	-	-	-	L	Not a3	High Impedance
H	L	L	L	IN1 - 1, IN2 - 1	-	-	-	-	-	-	-

Note 3. "L" or "H"

VCA attenuation (Reference)

Control data (D/A converter)	VCA attenuation (dB)
0F	(maximum attenuation)
1F	-79
2F	-59
3F	-44
4F	-32
5F	-23
6F	-15
7F	-9
8F	-4
9F	0
AF	+3
BF	+5
CF	+6
DF	+7
EF	+8
FF	+9

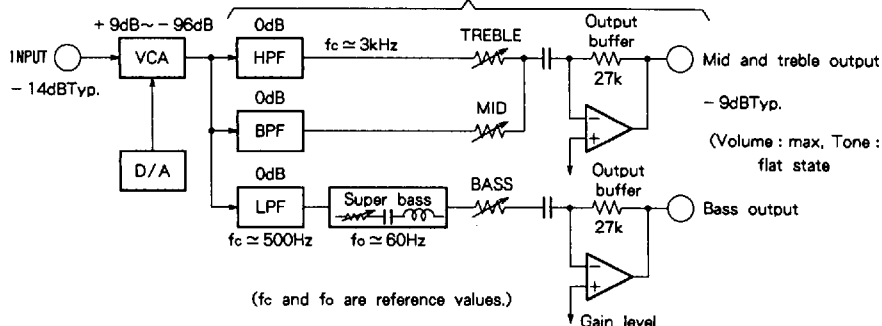
ELECTRONIC SOUND CONTROL WITH ELECTRONIC VOLUME FOR MULTIPLE SOURCES

ANALOG SIGNAL PROCESSING

(Basic construction (One channel))

(Total gain : + 5dB (VCA max))

(Tone section gain (Reference) : - 4dB)



(fc and fo are reference values.)

Gain level

(All data is design values.)

Volume : + 9dB to - 96dB TYP.
(VCA)

Treble : 10dB~0dB to +10dB (2dB/steps)
(For loudness control, +12dB, +14dB, +16dB)

Mid : -10dB~0dB to +10dB (2dB/steps)

Bass : -10dB~0dB to +10dB (2dB/steps)

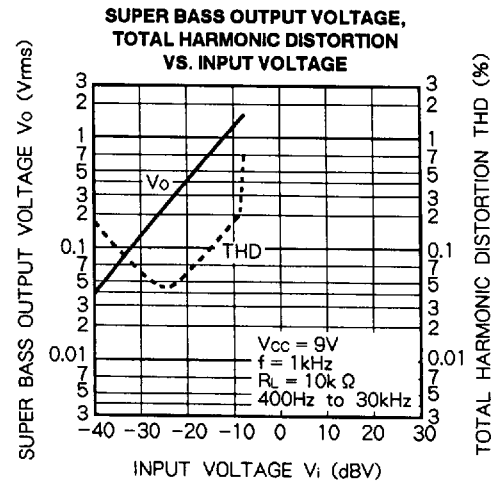
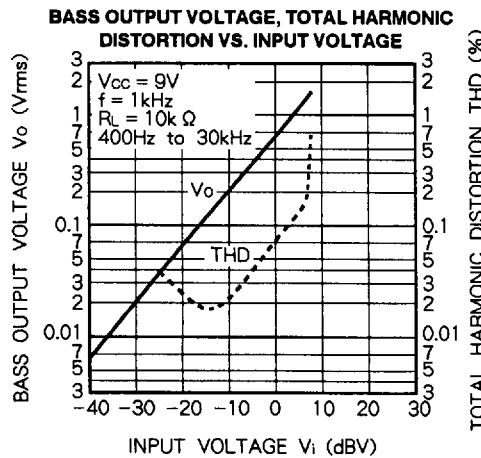
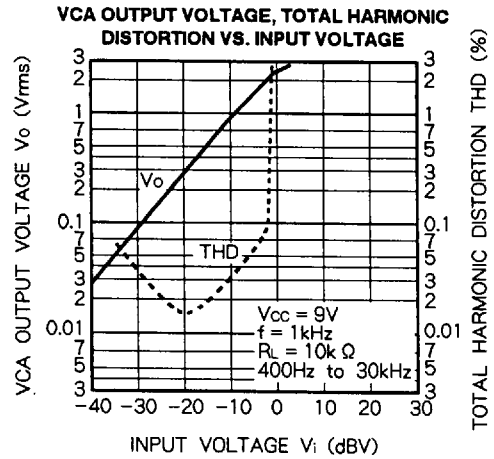
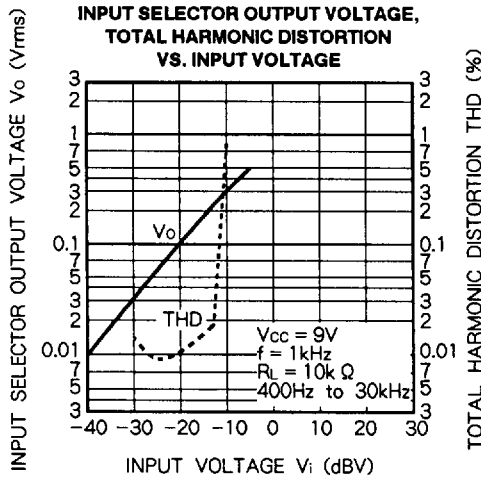
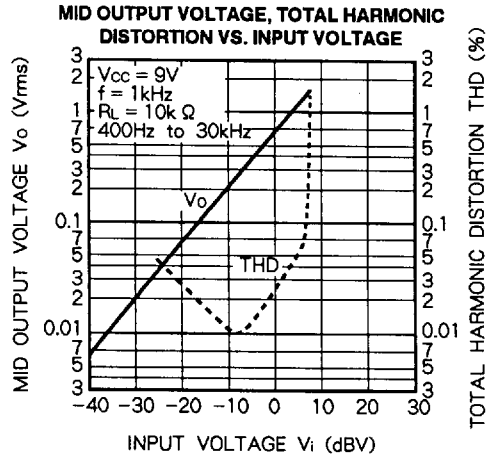
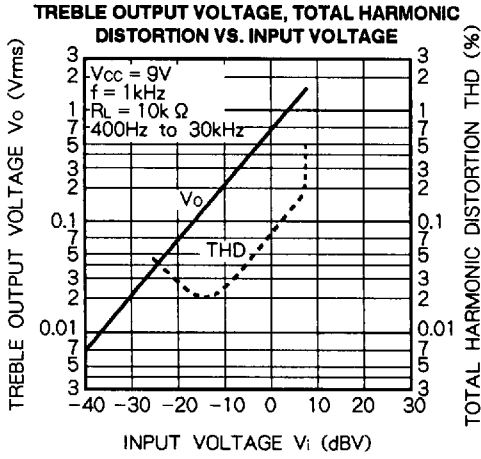
(For loudness control, +12dB, +14dB, +16dB)

Super bass : -12dB~0dB to +12dB

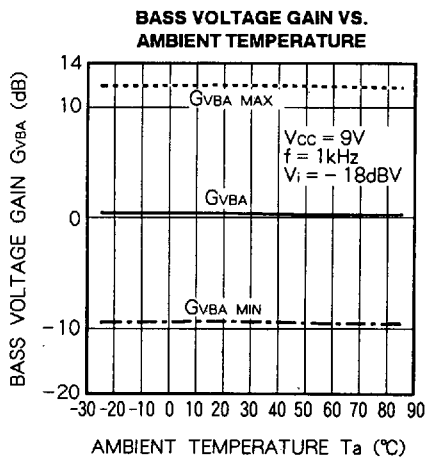
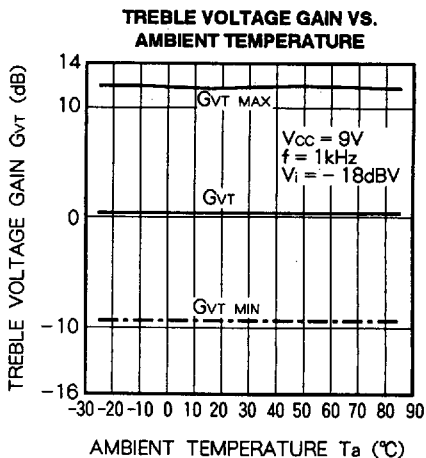
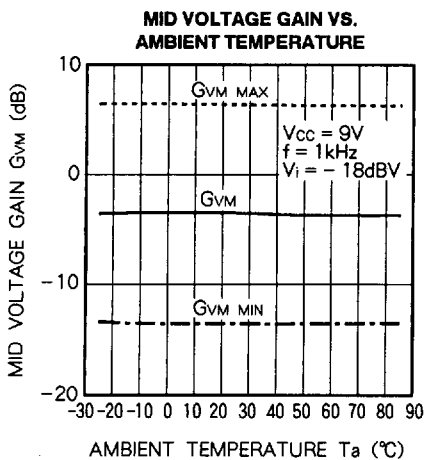
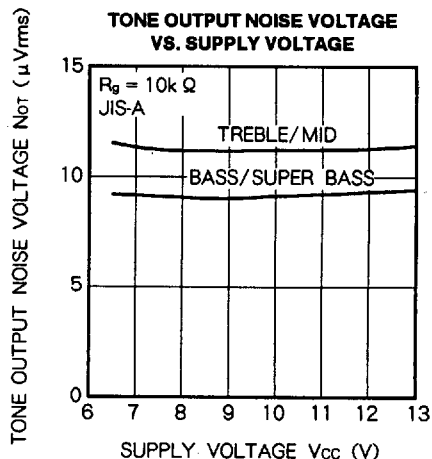
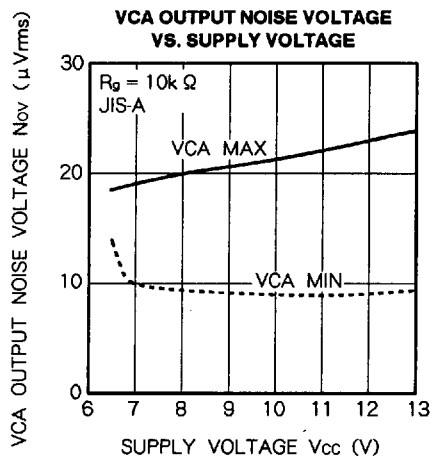
Data setting table

Data No.	Control data																					
	Volume, tone (indicate hexadecimal)						Input selector and output port (indicate binaries)															
	VCA	Treble	Mid	Bass	Super bass	Input selector	PORT 0	PORT 1	PORT 2	PORT 3	PORT 4	PORT 5	PORT 6	PORT 7	PORT 8							
1	F	F	5	5	5	0	0	0	0	0	1	1	1	1	1	1	1	1				
2											0	1	↓									
3											1	0	1	↓								
4												1	0	1	↓							
5													1	0	1	↓						
6														1	0	1	↓					
7															1	0	1	↓				
8																1	0	1	↓			
9																	1	0	1	↓		
10																		1	1	0		
11										0	↓									0	0	
12										1	0	↓									1	1
13										0	1	0	↓									
14											0	1	0									
15																						
16																						
17																						
18																						
19																						
20																						
21																						
22																						
23																						
24																						
25																						
26																						
27																						
28																						

ELECTRONIC SOUND CONTROL WITH ELECTRONIC VOLUME FOR MULTIPLE SOURCES

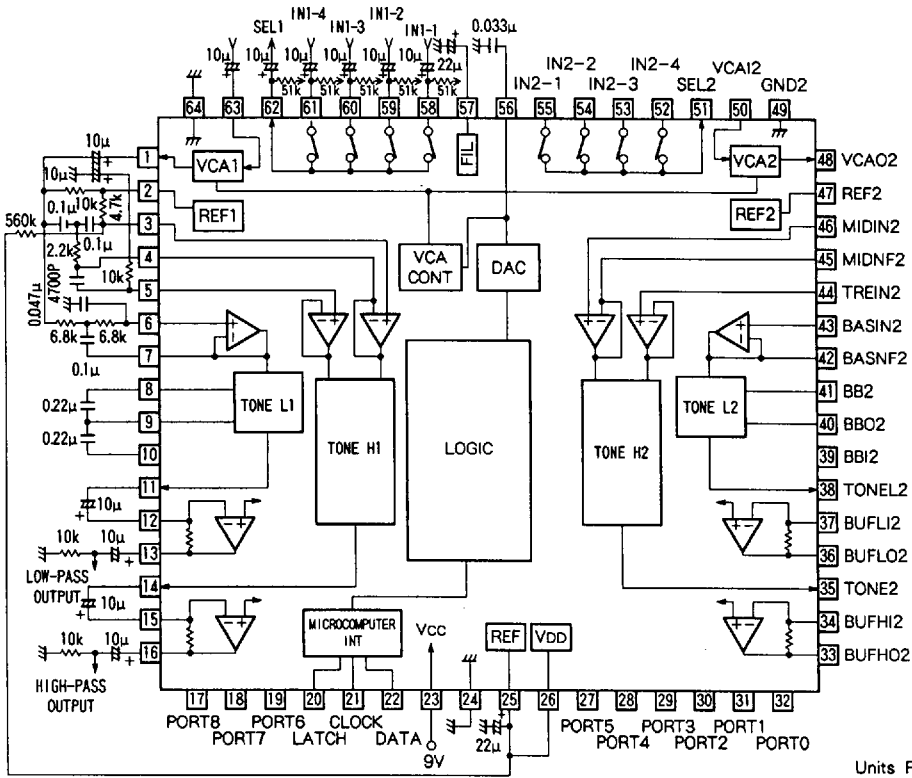


ELECTRONIC SOUND CONTROL WITH ELECTRONIC VOLUME FOR MULTIPLE SOURCES



ELECTRONIC SOUND CONTROL WITH ELECTRONIC VOLUME FOR MULTIPLE SOURCES

APPLICATION EXAMPLE



Units Resistance : Ω
Capacitance : F