

M62464BFP

Dolby Pro Logic Surround Decoder
with Discrete 5.1ch Analog Input

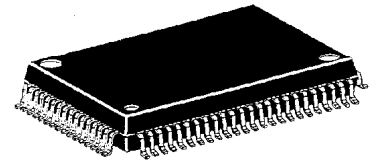
DESCRIPTION

The M62464BFP is a Single Chip Dolby Pro Logic Surround Decoder with Discrete 5.1ch Analog Input. This LSI has all of required functions for Dolby Pro Logic Surround and also 5.1ch analog input for Dolby Digital.

Dolby and the double-D symbol are trademarks of Dolby Laboratories Licensing Corporation, San Francisco, CA94103-4813, USA.

This device available only to licensees of Dolby Lab.

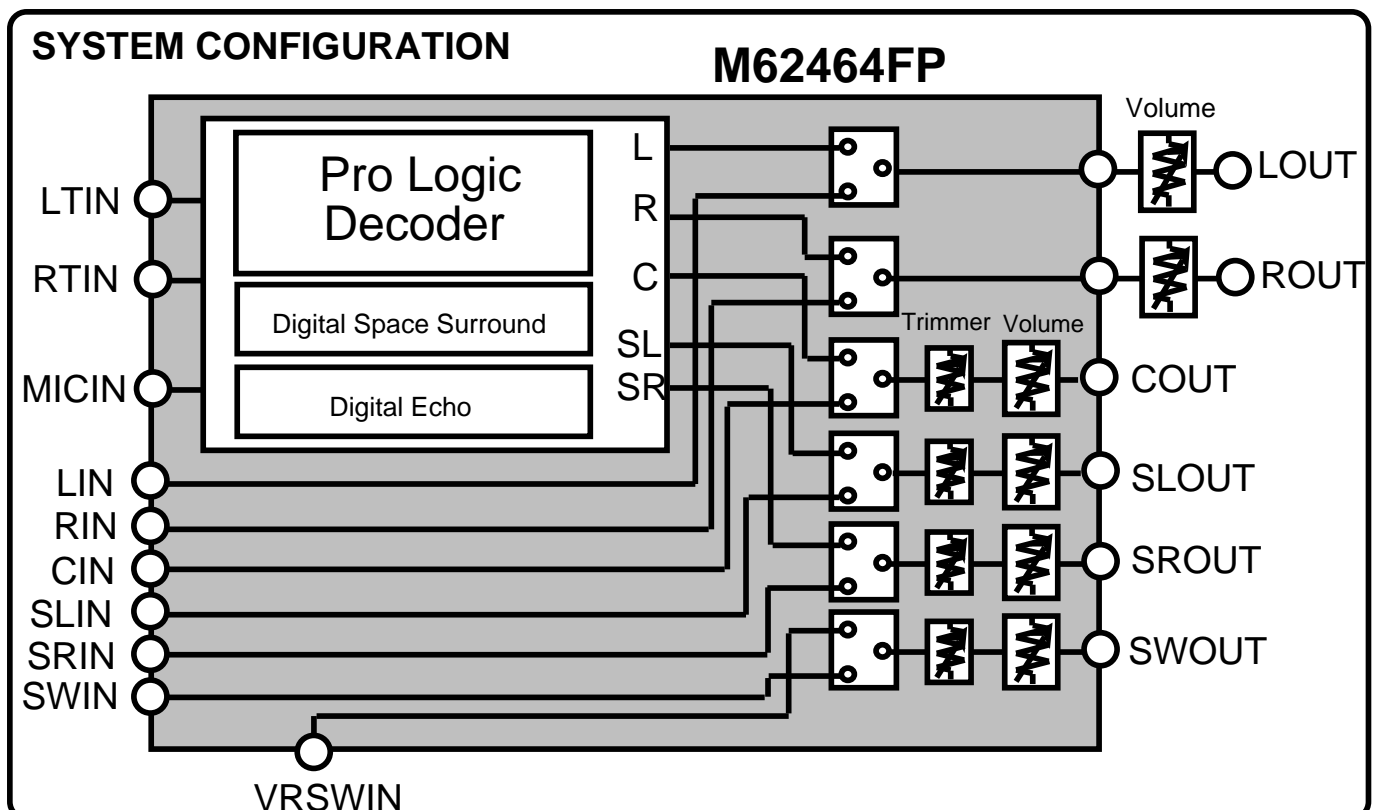
Licensing and application information may be obtained from Dolby Lab.



Outline 80P6N
0.8mm pitch QFP
(20.0mmx14.0mmx2.8mm)

FEATURES

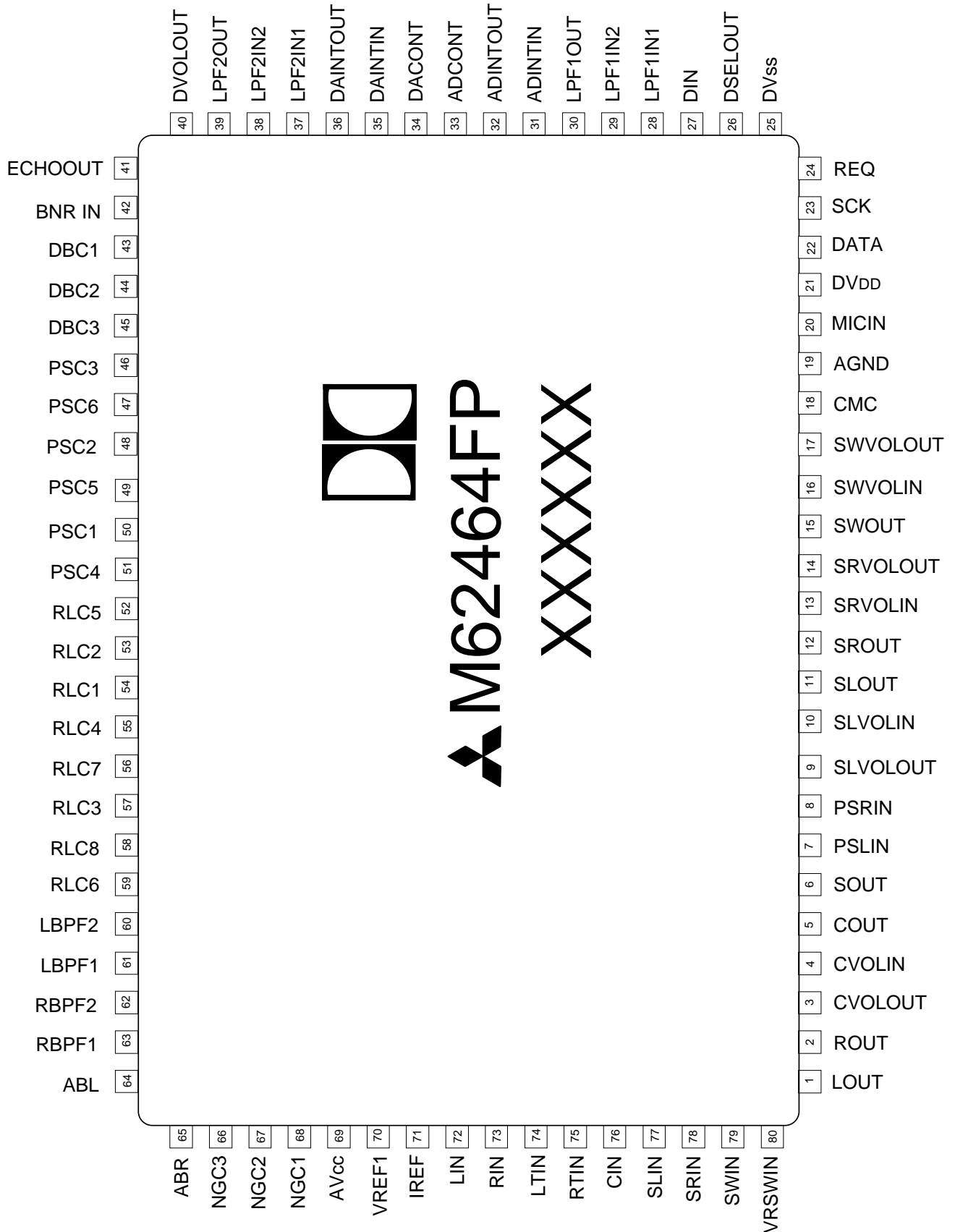
- Includes all functions necessary for Dolby Pro Logic Surround
- Includes 5.1ch(L,R,C,SL,SR,SW) analog input for Dolby Digital
- 4ch(C,SL,SR,SW) Master Volume
- Digital Space Surround such as Disco, Hall and Live
- Pseudo Stereo Surround for Digital Space Surround
- Digital Echo for Karaoke Function Delay time 123,184msec
- 3-lines MCU control
- Current control oscillation circuit for system clock



M62464BFP

Dolby Pro Logic Surround Decoder
with Discrete 5.1ch Analog Input

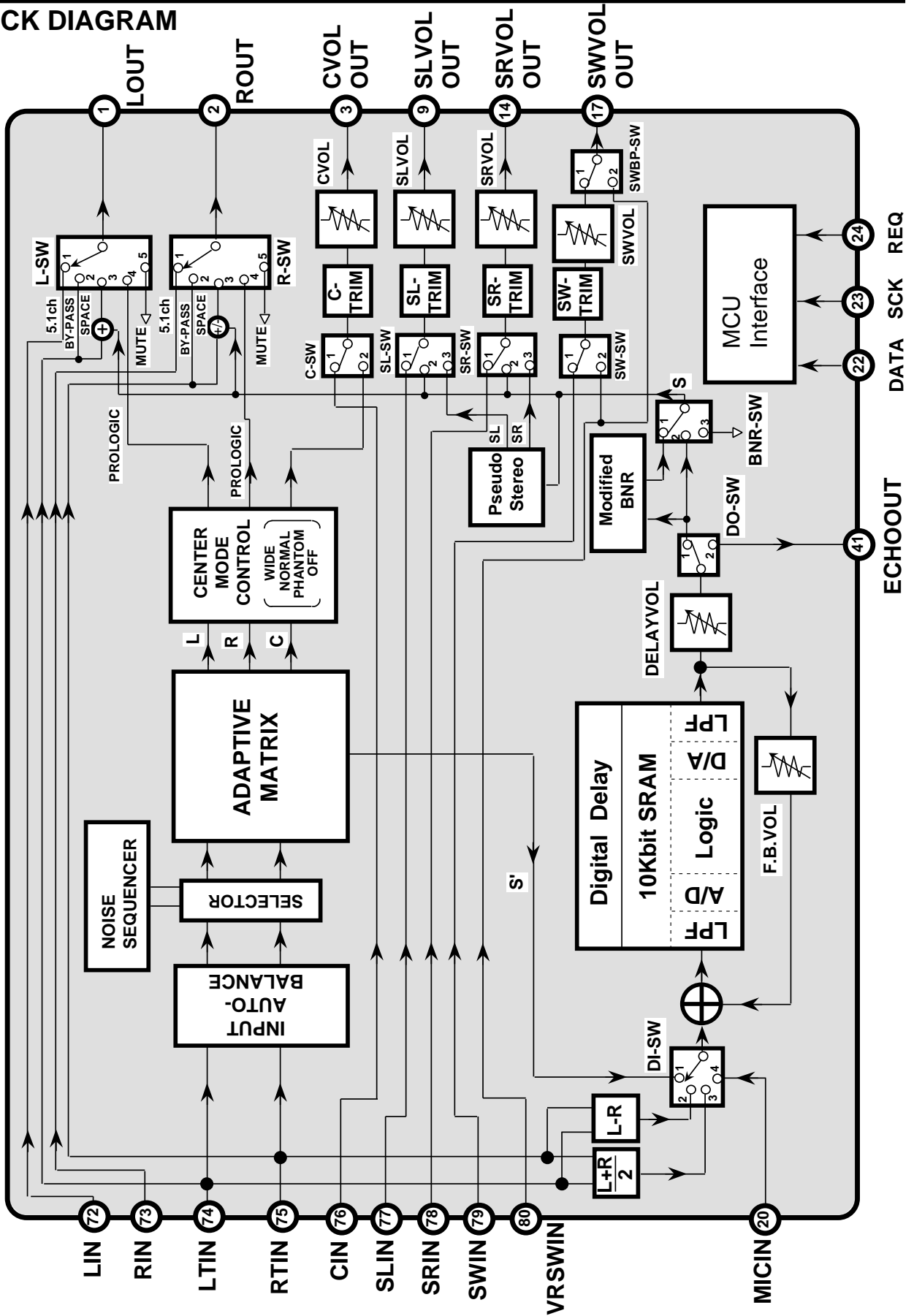
PIN CONFIGURATION



M62464BFP

Dolby Pro Logic Surround Decoder
with Discrete 5.1ch Analog Input

BLOCK DIAGRAM



M62464BFP

**Dolby Pro Logic Surround Decoder
with Discrete 5.1ch Analog Input**

FUNCTIONAL DESCRIPTION

FUNCTION		DESCRIPTION
1	Fundamental function for Dolby Pro Logic Surround Decoder	-Adaptive Matrix -Input Auto-Balance -Noise Sequencer -Center Mode Control ON/OFF WIDE/NORMAL/PHANTOM -Modified Dolby B type Noise Reduction -4ch(L,R,C,S), 3ch(L,R,C) Mode Switch
2	5.1ch Analog Input for Dolby Digital	L,R,C,SL,SR,SW ch Analog Input Support
3	C,SL,SR,SW ch Master Volume	0 to -79dB/1dB step, and -
4	C,SL,SR,SW ch Trimmer	0 to -31dB/1dB step
5	RAM for Digital Delay	10K-bit RAM
6	Circuit for Space Surround and Echo	Digital delay circuit can be used for Space Surround such as a Disco, Hall or Live, and Karaoke echo.
7	Pseudo Stereo Surround	Pseudo Stereo Surround is available in Space Surround.
8	Digital Delay Time	Short Delay 15.4, 20.5, 25.6, 29.2, 51.2 msec Long Delay 123, 184 msec
9	Feedback Volume	Delay Signal Feedback Volume -3 to -21 dB/3dB step, and -
10	Delay Effect Volume	Delay Signal Effect Volume 0 to -18 dB/3dB step, and -
11	Bypass Switch	Bypass the decode circuit
12	Output Mute	Mute the Lch and Rch output
13	MCU Interface	Controlled by 3-lines serial data from MCU Including the Chip Address (2 bit)
14	Current control oscillation circuit	Including the oscillation circuit without external parts.

M62464BFPDolby Pro Logic Surround Decoder
with Discrete 5.1ch Analog Input**ABSOLUTE MAXIMUM RATINGS**

(Ta=25°C Unless otherwise noted)

Symbol	Parameter	Conditions	Ratings	Unit
V _{CC}	Supply Voltage		10.5	V
V _{DD}			6.5	V
P _d	Power Dissipation		1.4	W
T _{opr}	Operating Temperature		-20 to +75	°C
T _{stg}	Storage Temperature		-40 to +125	°C

RECOMMENDED OPERATING CONDITION

Symbol	Parameter	Condition	Limits			Units
			Min	Typ	Max	
V _{CC}	Supply Voltage		8	9	10	V
V _{DD}			4.5	5	5.5	V
V _{IL}	Input Voltage(L)	22,23,24pin	0	—	0.8	V
V _{IH}	Input Voltage(H)	22,23,24pin	2.2	—	V _{DD}	V

M62464BFPDolby Pro Logic Surround Decoder
with Discrete 5.1ch Analog Input**ELECTRICAL CHARACTERISTICS**

(Ta=25°C, Vcc=9V, VDD=5V, 0dBd=300mVrms, at COUT, f=1kHz unless otherwise noted)

Symbol	Parameter	Test condition	Limits			Units
			Min.	Typ.	Max.	
Total						
I _{CC}	Circuit current	No signal	—	30	45	mA
I _{DD}	Circuit current	No signal	—	15	25	mA
Auto-Balance						
CPR	Capture range		—	5	—	dB
CER	Error collection		—	4	—	dB
Adaptive Matrix						
VoL	Output level accuracy relative to Cch	L,R,S'ch output	-0.5	0	0.5	dB
MR	Matrix rejection	L,R,C,S'ch output	25	40	—	dB
HRAM	Head room	THD=1%, L,R,Cch output	15	17	—	dB
THDAM	Total harmonic distortion	L,R,Cch output, 30kHz LPF	—	0.05	0.2	%
SNAM	S/N ratio	Rg=0 ,weighted CCIR/ARM	70	80	—	dB
Noise Sequencer						
V _{no}	Output noise level	L,R,C,S'ch output	-15	-12.5	-10	dB
V _{no}	Noise level accuracy relative to Cch	L,R,S'ch output	-0.5	0	0.5	dB
Modified B-type Noise Reduction (0dB reference is 300mVrms/100Hz at SOUT)						
VGNR	Gain between input and output	Vin=0dBd,f=100Hz	3.8	6.8	9.8	dB
DEC1	Decode character 1	Vin=0dBd,f=1.0kHz	-1.6	-0.1	1.4	dB
DEC2	Decode character 2	Vin=-15dBd,f=1.4kHz	-3.0	-1.5	0	
DEC3	Decode character 3	Vin=-40dBd,f=5.0kHz	-6.8	-5.3	-3.8	
THDNR	Total harmonic distortion	Vin=0dBd,f=1kHz,30kHz LPF	—	0.07	0.3	%
HRNR	Head room	THD=1%	15	17	—	dB
SNNR	S/N ratio	Rg=0 ,weighted CCIR/ARM	68	78	—	dB
Cch/SLch/SRch/SWch Master Volume						
ATT _{max}	Maximum attenuation	ATT=- ,Vi=2Vrms	—	-95	-87	dB
ATT _{min}	Minimum attenuation	ATT=0dB,TRIM=0dB	-3.0	0	3.0	dB
VOLS1	Volume step1	ATT=0 to -40dB,TRIM=0dB	0.5	1.0	1.5	dB
VOLS2	Volume step2	ATT=-40 to -76dB,TRIM=0dB	0.2	1.0	1.8	dB
SNVOL	S/N ratio	ATT=- ,CCIR/ARM	85	95	—	dB
Cch/SLch/SRch/SWch Trimmer						
TRIM _{max}	Maximum attenuation	TRIM=-31dB,VOLATT=0dB	-34	-31	-28	dB
TRIM _{min}	Minimum attenuation	TRIM=0dB,VOLATT=0dB	-3.0	0	3.0	dB
TRIMS	Teimmer step	VOLATT=0dB	0.6	1.0	1.4	dB
Line(Bypass)						
THDLN	Total harmonic distortion	30kHz LPF	—	0.002	0.05	%
SNLN	S/N ratio	DIN-AUDIO	95	100	—	dB
CTLN	Line cross-talk		70	80	—	dB
Zi	Input impedance		11	22	44	k

mitsubishi SOUND PROCESSOR ICs
M62464BFP
Dolby Pro Logic Surround Decoder
with Discrete 5.1ch Analog Input

($T_a=25^\circ\text{C}$, $V_{CC}=9\text{V}$, $V_{DD}=5\text{V}$, $0\text{dBd}=300\text{mVrms}$ at COUT, $f=1\text{kHz}$ unless otherwise noted)

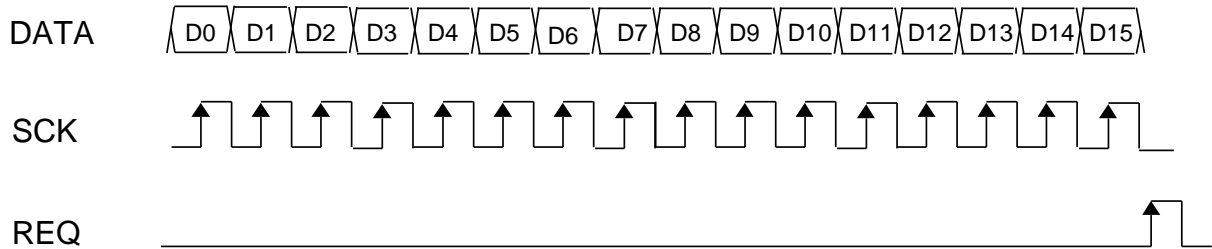
Symbol	Parameter	Test conditions	Limits			Units	
			Min.	Typ.	Max.		
Digital Delay							
GvD	Input/Output Voltage gain	DIN-DVOLUME, DVOL=0dB	-3.0	0	+3.0	dB	
Td	Delay time	Td=20.5ms	17.4	20.5	23.6	ms	
THDD	Total harmonic distortion	30kHz LPF	Td=20.5ms	—	0.5	0.9	%
			Td=51.2ms	—	1.2	2.2	
			Td=184ms	—	3.0	5.6	
NoD	Output noise voltage	Vin=0Vrms JIS-A	Td=20.5ms	—	-92	-80	dBV
			Td=51.2ms	—	-84	-70	
			Td=184ms	—	-80	-65	
Vomax	Maximum output voltage	THD=10%	0.7	1.0	—	Vrms	
LPFfc	LPF cut-off frequency	Td=15.4 to 51.2ms Gv=-3dB	6.0	7.0	8.0	kHz	
		Td=123 to 184ms Gv=-3dB	—	3.0	—	kHz	
Feedback volume							
FBATT _{max}	Maximum attenuation	ATT=-	—	-70	-60	dB	
FBATT _{min}	Minimum attenuation	ATT=-3dB	-6.0	-3.0	0	dB	
FBVOLS	Volume step		1.5	3.0	4.5	dB	
Delay volume							
DLATT _{max}	Maximum attenuation	ATT=-	—	-70	-60	dB	
DLATT _{min}	Minimum attenuation	ATT=0dB	-3.0	0	3.0	dB	
DLVOLS	Volume step		1.5	3.0	4.5	dB	

MITSUBISHI SOUND PROCESSOR ICs
M62464BFP
 Dolby Pro Logic Surround Decoder
 with Discrete 5.1ch Analog Input

SERIAL DATA CONTROL FORMAT

(1) Data Input Format

DATA is read at the rising edge of SCK, and loaded last 16 bits at the rising edge of REQ.



D0	D1	D2	D3	D4	D5	D6	D7	D8	D9	D10	D11	D12	D13	D14	D15
L	L	L	/	Mode Set		Pro Logic Mode	Center Mode	Auto-Balance	Noise Sequencer		L		H		
		H	/	"L"	Delay Time		Space Surround Mode								
L	H	L	L	Delay Volume		Cch Volume		Chip Address							
		L	H	Feedback Volume		SLch Volume									
		H	L	SW-VOL Set		SRch Volume									
		H	H			SWch Volume									
H	L	L	/	Cch Trimmer		SWch Trimmer									
		H	/	SLch Trimmer		SRch Trimmer									
H	H	Test Mode (user inhibit)													

M62464BFP**Dolby Pro Logic Surround Decoder
with Discrete 5.1ch Analog Input****(2)Control condition**

Control Mode		Contents
1	Mode Set	5.1ch Input / Normal Stereo / Dolby Pro Logic / Space Surround / Echo / Mute
2	Pro Logic Mode	4ch Pro Logic / 3ch stereo
3	Center Mode	Wide / Normal / Phantom / OFF
4	Delay Time	15.4, 20.5, 25.6, 29.2, 51.2 ms (Short delay) 123, 184ms (Long delay)
5	Noise Sequencer	ON / OFF Lch / Rch / Cch / Sch
6	Auto-Balance	Input Auto-Balance ON / OFF
7	Space Surround Mode	L / R Output : Dolby Pro Logic / Space Surround Delay input : S' / L-R / (L+R)/2 / MICIN Delay output mixing, BNR : ON / OFF Surround signal : Monaural / Pseudo Stereo
8	Delay Volume	0 to -18dB / 3dB step & -
9	Feedback Volume	-3 to -21dB / 3dB step & -
10	Master Volume	C,SL,SR,SWch Master Volume 0 to -79dB / 1dB step & -
11	Trimmer	C,SL,SR,SWch Trimmer 0 to -31dB / 1dB step
12	SW Volume Set	SW Volume : Volume / Bypass
13	Chip Address	Input data effect or not

(3)Set Condition**a. Mode Set (D0="L",D1="L",D2="L")**

D4	D5	D6	Condition
L	L	L	5.1ch Signal Input
L	L	H	Normal stereo (bypass)
L	H	L	Dolby Pro Logic Surround
L	H	H	Space Surround
H	L	L	Echo
H	L	H	Output Mute

M62464BFPDolby Pro Logic Surround Decoder
with Discrete 5.1ch Analog Input

b. Pro Logic Mode (D0="L",D1="L",D2="L")

D7	Condition
L	4ch Pro Logic
H	3ch Stereo

c. Center Mode (D0="L",D1="L",D2="L")

D8	D9	Condition
L	L	Wide
L	H	Normal
H	L	Phantom
H	H	OFF

d. Delay Time (D0="L",D1="L",D2="H")

D5	D6	D7	Delay Time	Sampling Frequency	LPF Cut-off Frequency
L	L	L	15.4msec	500kHz	7kHz
L	L	H	20.5msec	500kHz	
L	H	L	25.6msec	400kHz	
L	H	H	29.2msec	333kHz	
H	L	L	51.2msec	200kHz	3kHz
H	L	H	123msec	83.3kHz	
H	H	L	184msec	55.6kHz	

e. Noise Sequencer (D0="L",D1="L",D2="L")

D11	D12	D13	Condition	
L	-	-	Noise Sequencer OFF	
H	L	L	Noise Sequencer ON	Lch
	L	H		Rch
	H	L		Cch
	H	H		Sch

M62464BFPDolby Pro Logic Surround Decoder
with Discrete 5.1ch Analog Input

f. Auto-Balance (D0="L",D1="L",D2="L")

D10	Condition
L	Auto-Balance OFF
H	Auto-Balance ON

g. Space Surround Mode (D0="L",D1="L",D2="H")

L / R Output

D8	Condition
L	Dolby Pro Logic
H	Space Surround

Delay Mixing Polarity

D9	Mixing Polarity
L	L+Delay signal / R+Delay signal
H	L+Delay signal / R-Delay signal

Delay Input

D10	D11	Delay Input
L	X	S'
H	L	L-R
H	H	(L+R)/2

X : L or H

BNR

D12	BNR
L	OFF
H	ON

Surround Signal

D13	Surround Signal
L	Monaural
H	Pseudo Stereo

h. Delay Volume

(D0="L",D1="H",D2="L",D3="L")

D4	D5	D6	Volume
L	L	L	0dB
L	L	H	-3dB
L	H	L	-6dB
L	H	H	-9dB
H	L	L	-12dB
H	L	H	-15dB
H	H	L	-18dB
H	H	H	-

i. Feedback Volume

(D0="L",D1="H",D2="L",D3="H")

D4	D5	D6	Volume
L	L	L	-3dB
L	L	H	-6dB
L	H	L	-9dB
L	H	H	-12dB
H	L	L	-15dB
H	L	H	-18dB
H	H	L	-21dB
H	H	H	-

M62464BFPDolby Pro Logic Surround Decoder
with Discrete 5.1ch Analog Input

j. C,SL,SR,SW ch Volume (D0="L",D1="H")

Volume Level	D11	D10	D9	D8	D7
0 dB	L	L	L	L	L
-2 dB	L	L	L	L	H
-4 dB	L	L	L	H	L
-6 dB	L	L	L	H	H
-8 dB	L	L	H	L	L
-10 dB	L	L	H	L	H
-12 dB	L	L	H	H	L
-14 dB	L	L	H	H	H
-16 dB	L	H	L	L	L
-18 dB	L	H	L	L	H
-20 dB	L	H	L	H	L
-22 dB	L	H	L	H	H
-24 dB	L	H	H	L	L
-26 dB	L	H	H	L	H
-28 dB	L	H	H	H	L
-30 dB	L	H	H	H	H
-32 dB	H	L	L	L	L
-34 dB	H	L	L	L	H
-36 dB	H	L	L	H	L
-38 dB	H	L	L	H	H
-40 dB	H	L	H	L	L
-42 dB	H	L	H	L	H
-44 dB	H	L	H	H	L
-48 dB	H	L	H	H	H
-52 dB	H	H	L	L	L
-56 dB	H	H	L	L	H
-60 dB	H	H	L	H	L
-64 dB	H	H	L	H	H
-68 dB	H	H	H	L	L
-72 dB	H	H	H	L	H
-76 dB	H	H	H	H	L
-	H	H	H	H	H

Volume Level	D13	D12
0 dB	L	L
-1 dB	L	H
-2 dB	H	L
-3 dB	H	H

SW Volume Setting

D6 (D0="L",D1="H",D2="H",D3="H")	Condition	SWBP-SW
L	SW Volume Bypass	2
H	SW Volume Controlled	1

M62464BFP

Dolby Pro Logic Surround Decoder
with Discrete 5.1ch Analog Input

k. C,SL,SR,SW ch Trimmer (D0="H",D1="L")

Trimmer Level	D8	D7	D6	D5	D4
	D13	D12	D11	D10	D9
0 dB	L	L	L	L	L
-1 dB	L	L	L	L	H
-2 dB	L	L	L	H	L
-3 dB	L	L	L	H	H
-4 dB	L	L	H	L	L
-5 dB	L	L	H	L	H
-6 dB	L	L	H	H	L
-7 dB	L	L	H	H	H
-8 dB	L	H	L	L	L
-9 dB	L	H	L	L	H
-10 dB	L	H	L	H	L
-11 dB	L	H	L	H	H
-12 dB	L	H	H	L	L
-13 dB	L	H	H	L	H
-14 dB	L	H	H	H	L
-15 dB	L	H	H	H	H
-16 dB	H	L	L	L	L
-17 dB	H	L	L	L	H
-18 dB	H	L	L	H	L
-19 dB	H	L	L	H	H
-20 dB	H	L	H	L	L
-21 dB	H	L	H	L	H
-22 dB	H	L	H	H	L
-23 dB	H	L	H	H	H
-24 dB	H	H	L	L	L
-25 dB	H	H	L	L	H
-26 dB	H	H	L	H	L
-27 dB	H	H	L	H	H
-28 dB	H	H	H	L	L
-29 dB	H	H	H	L	H
-30 dB	H	H	H	H	L
-31 dB	H	H	H	H	H

When (Trimmer level)+(Master Volume) is less than -87dB,
total attenuation level is set to -87dB.

M62464BFPDolby Pro Logic Surround Decoder
with Discrete 5.1ch Analog Input

I. Chip Address

D14	D15	Data Read
L	H	Enable
Others		Unable

Relation between mode setting and switch condition

Mode Setting	Pro Logic Mode (D0=L,D1=L,D2=L) D7	Space Surround Mode (D0=L,D1=L,D2=H)					Switch Condition								
		D8	D10	D11	D12	D13	L-SW	R-SW	C-SW	SL-SW	SR-SW	SW-SW	DI-SW	DO-SW	BNR-SW
5.1ch Signal Input	X	X	X	X	X	X	1	1	1	1	1	1	4	2	3
Normal stereo	L	X	L	X	L	L	2	2	2	^{*1} 2	^{*1} 2	2	^{*2} 1	1	^{*3} 2
			L	H	H	3				3	2		1		
	H	H	H	X	H	3	3	3	3	3	3	3	3	3	
Dolby Pro Logic Surround	L	X	X	X	X	X	4	4	2	2	2	2	1	1	1
	H		3	3	3	3	3	3	3	3	3	3	3		
Space Surround	X	L	L	X	L	L	^{*4} 4	^{*4} 4	2	^{*1} 2	^{*1} 2	2	^{*2} 1	1	^{*3} 2
		H	H	L	H	H	3	3		3	3		3		2
Echo	X	X	X	X	X	X	2	2	1	1	1	2	4	2	3
Mute	X	X	X	X	X	X	5	5	1	1	1	2	4	2	3

X: L or H

At Bypass or Space Surround Mode, the condition of SL-SW,SR-SW,DI-SW and BNR-SW depend on D7,D10,D11,D12 and D13 settings.

SL-SW,SR-SW : depend on D13 -----> *1

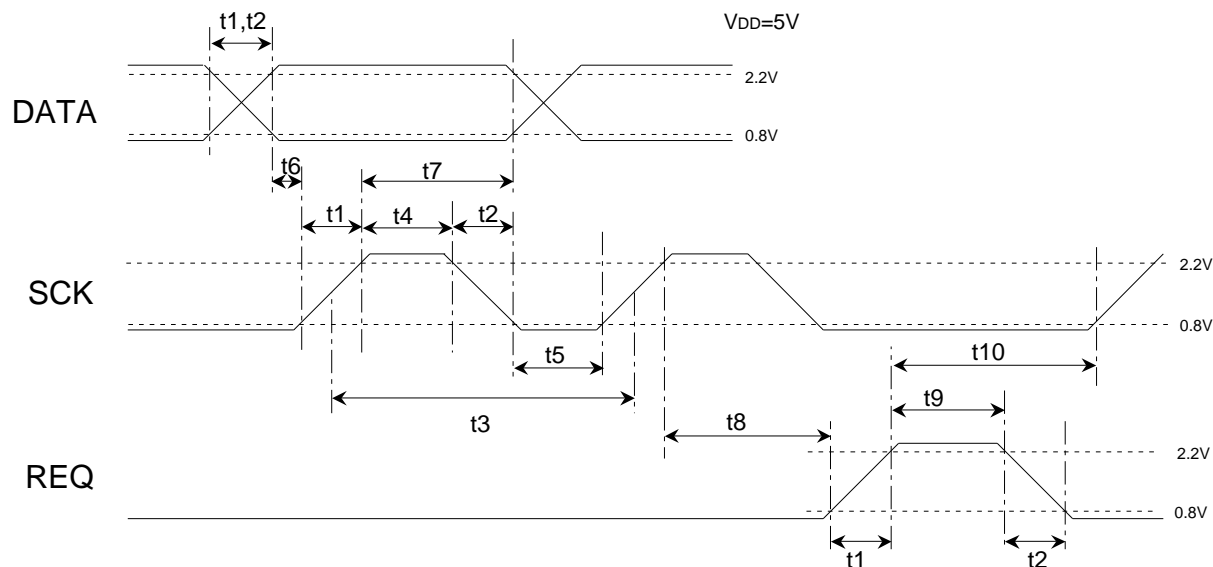
DI-SW : depend on D10 and D11----->*2

BNR-SW : depend on D7 and D12-----*3

At Space Surround Mode, the condition of L-SW and R-SW depend on D8.----->*4

MITSUBISHI SOUND PROCESSOR ICs
M6246BFP
 Dolby Pro Logic Surround Decoder
 with Discrete 5.1ch Analog Input

(4)Data Timing



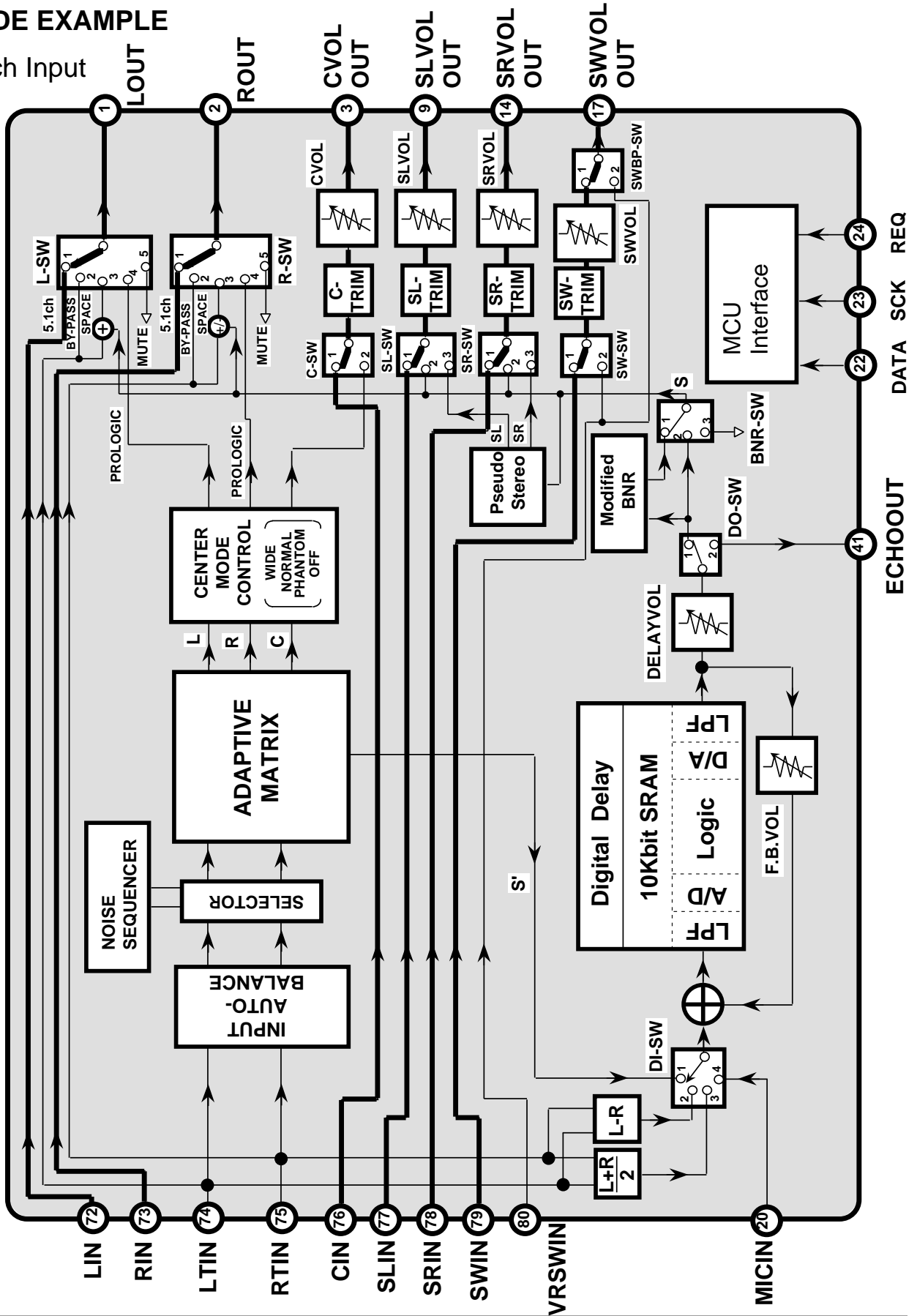
Symbol	Name	Min	Typ	Max	Units
t1	Signal rise time	—	—	0.5	μs
t2	Signal fall time	—	—	0.5	μs
t3	SCK clock width	2	—	—	μs
t4	SCK "H" pulse width	0.8	—	—	μs
t5	SCK "L" pulse width	0.8	—	—	μs
t6	DATA setup time	0.8	—	—	μs
t7	DATA hold time	0.8	—	—	μs
t8	REQ rise hold time	1.6	—	—	μs
t9	REQ "H" pulse width	0.8	—	—	μs
t10	SCK setup time	1.6	—	—	μs

M62464BFP

Dolby Pro Logic Surround Decoder
with Discrete 5.1ch Analog Input

MODE EXAMPLE

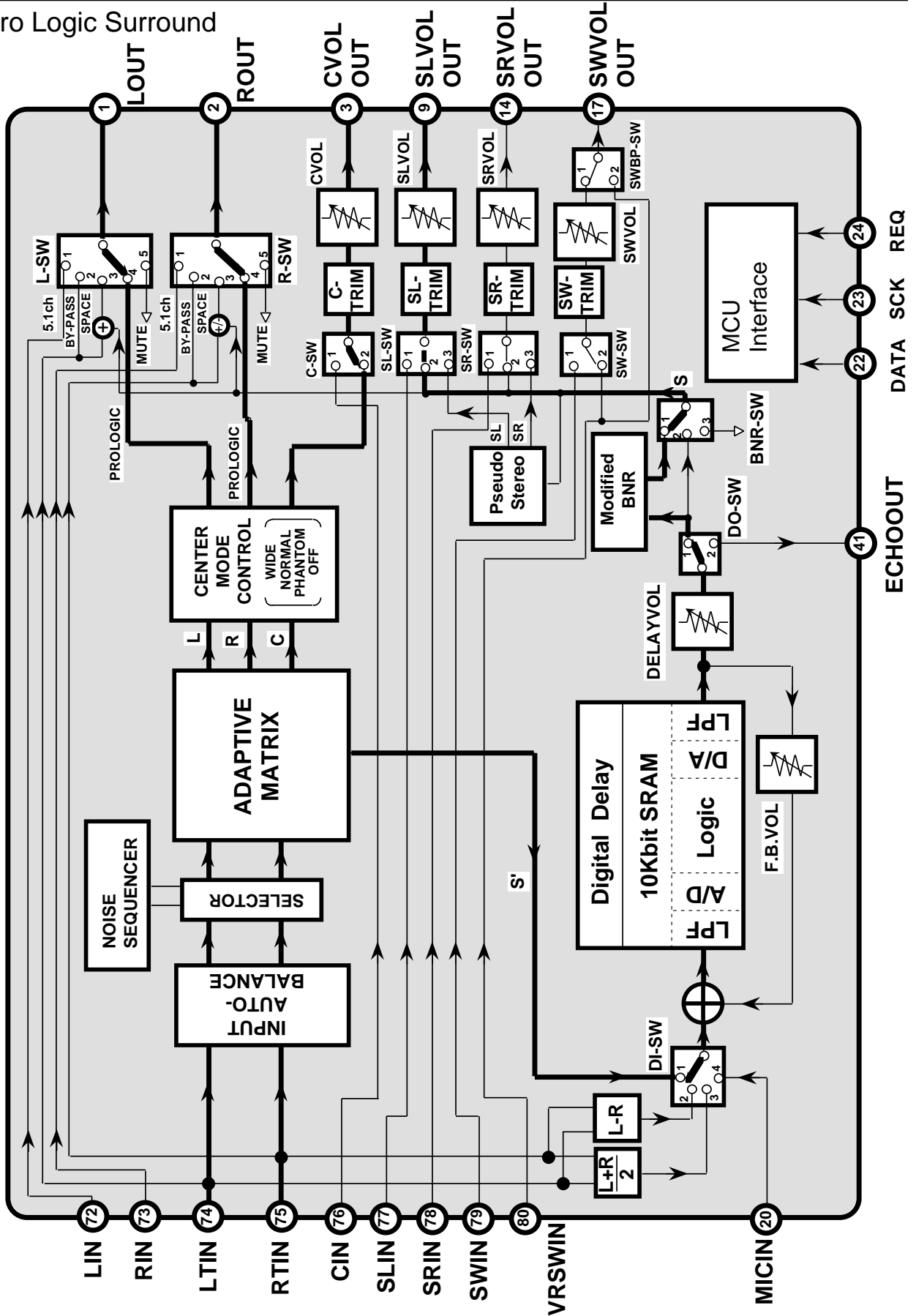
(1) 5.1ch Input



M62464BFP

Dolby Pro Logic Surround Decoder
with Discrete 5.1ch Analog Input

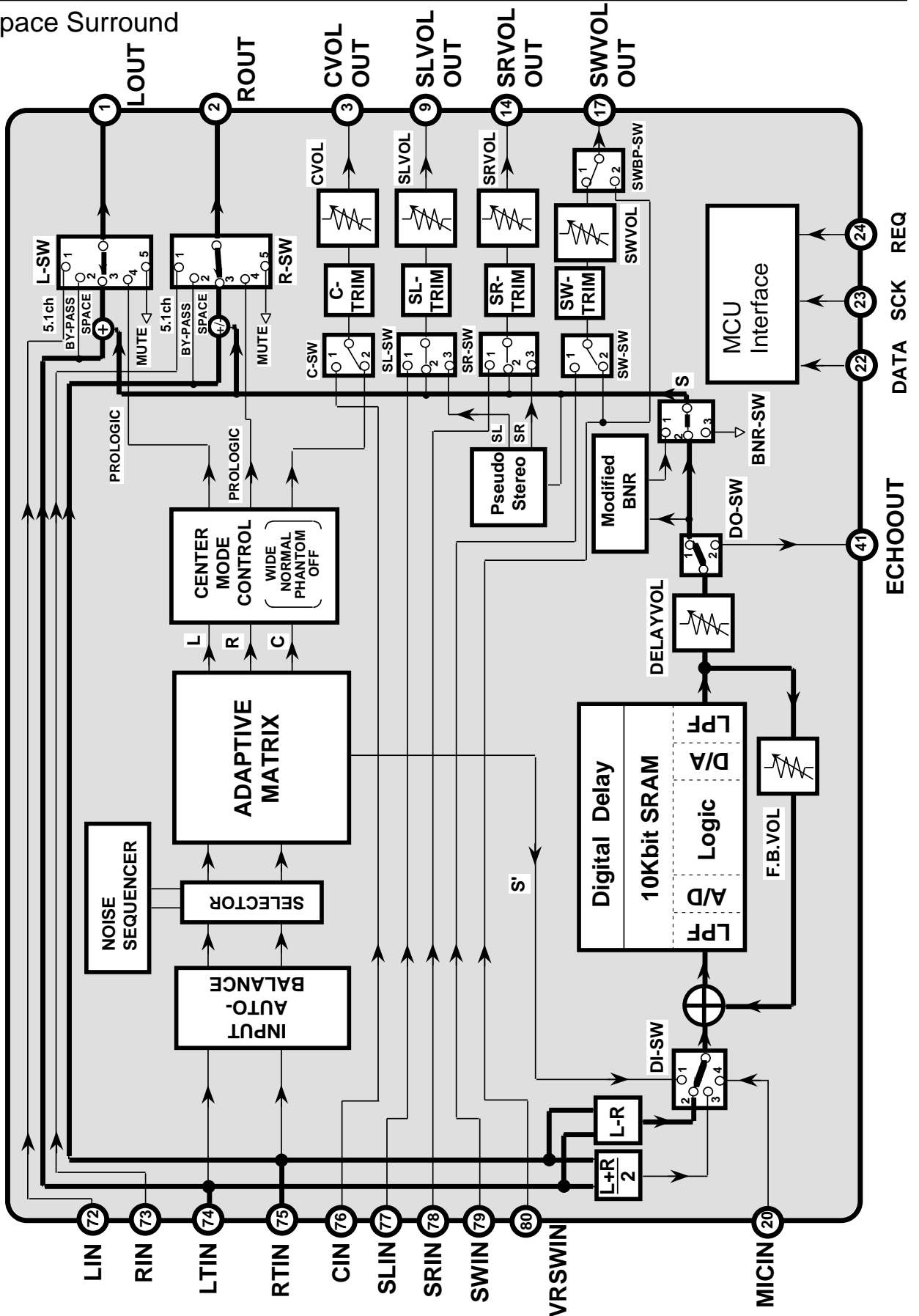
(2) Pro Logic Surround



M62464BFP

Dolby Pro Logic Surround Decoder
with Discrete 5.1ch Analog Input

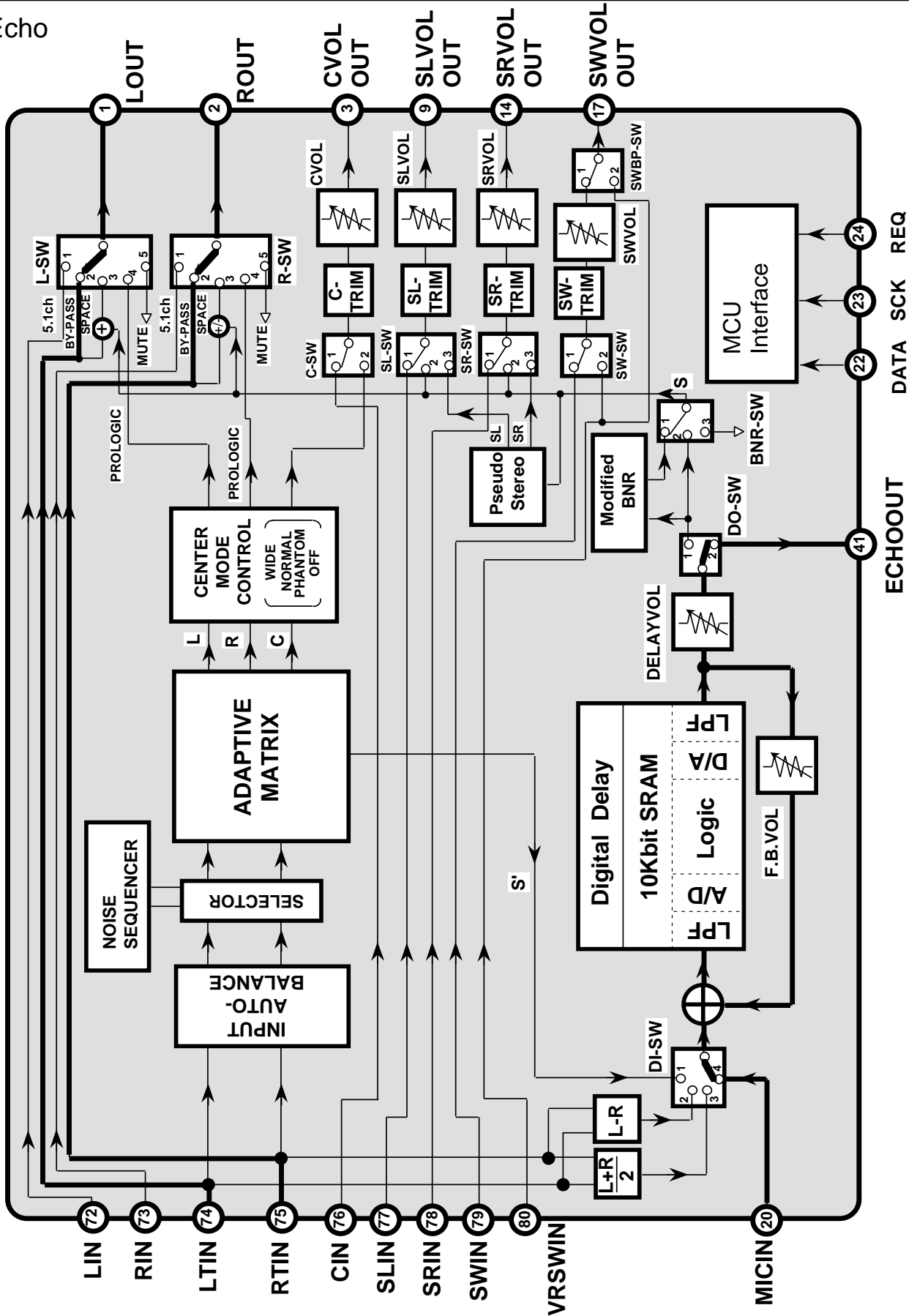
(3)Space Surround



M62464BFP

Dolby Pro Logic Surround Decoder
with Discrete 5.1ch Analog Input

(4)Echo



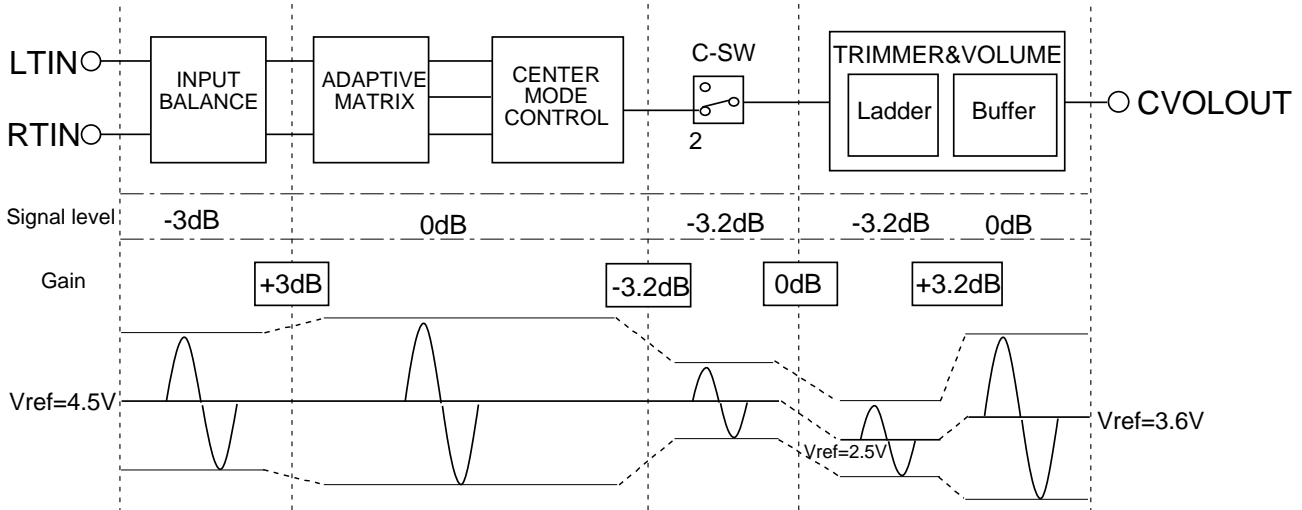
M62464BFP

Dolby Pro Logic Surround Decoder
with Discrete 5.1ch Analog Input

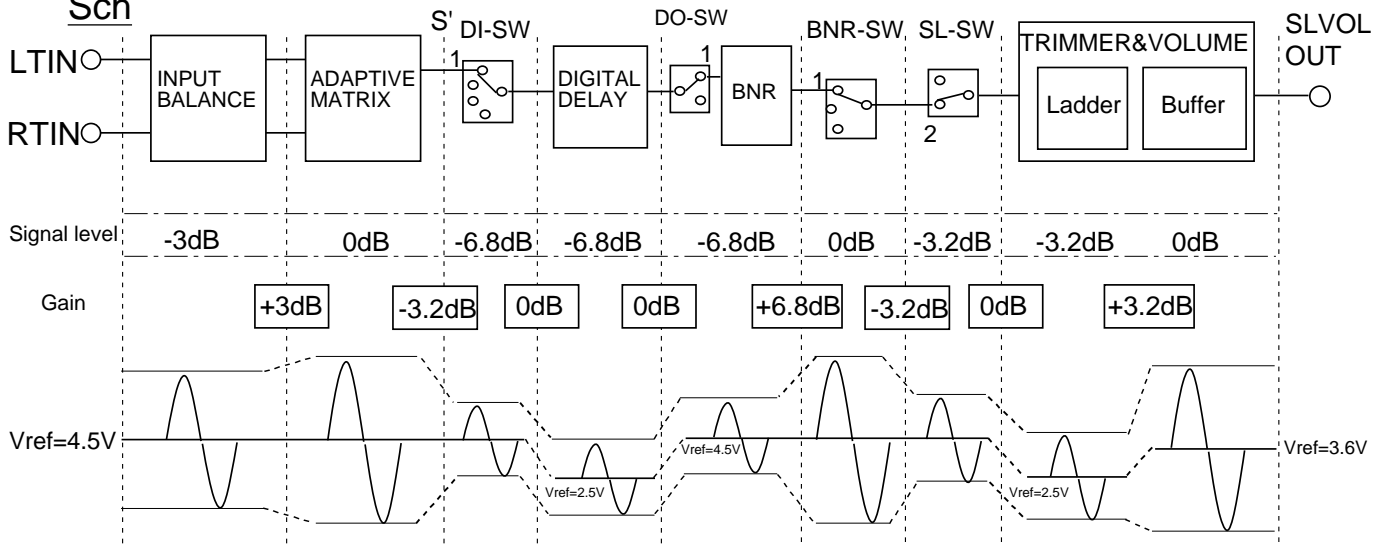
LEVEL DIAGRAM

(1)Dolby Pro Logic Surround Mode

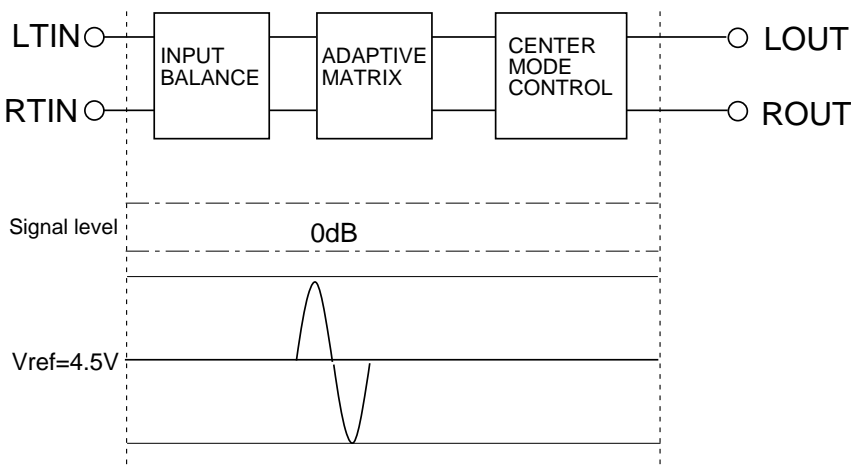
Cch



Sch



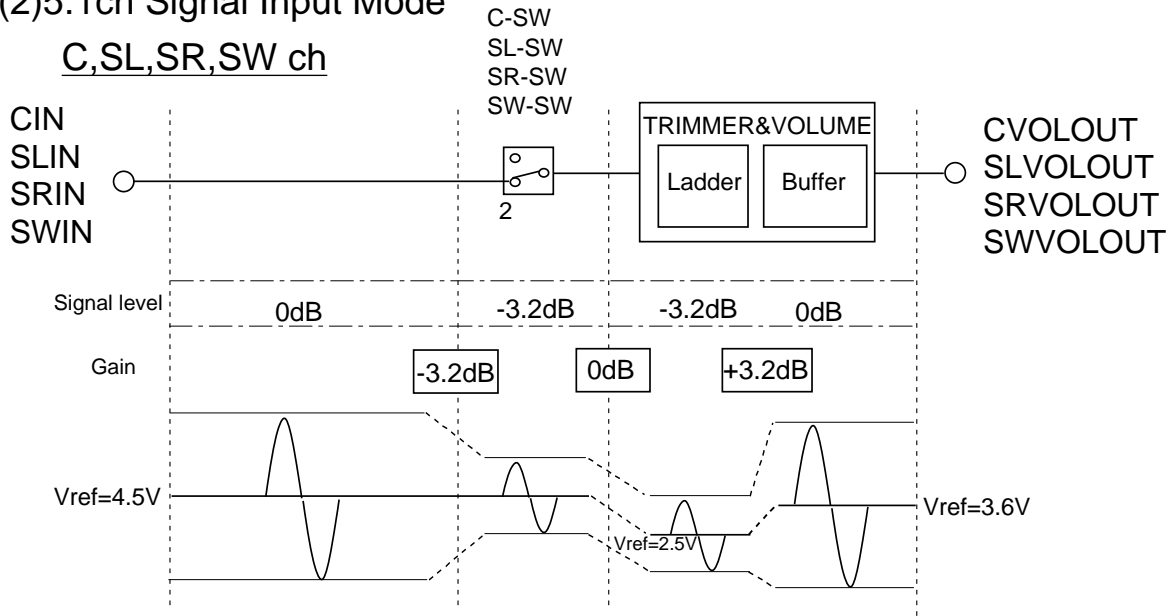
Lch,Rch



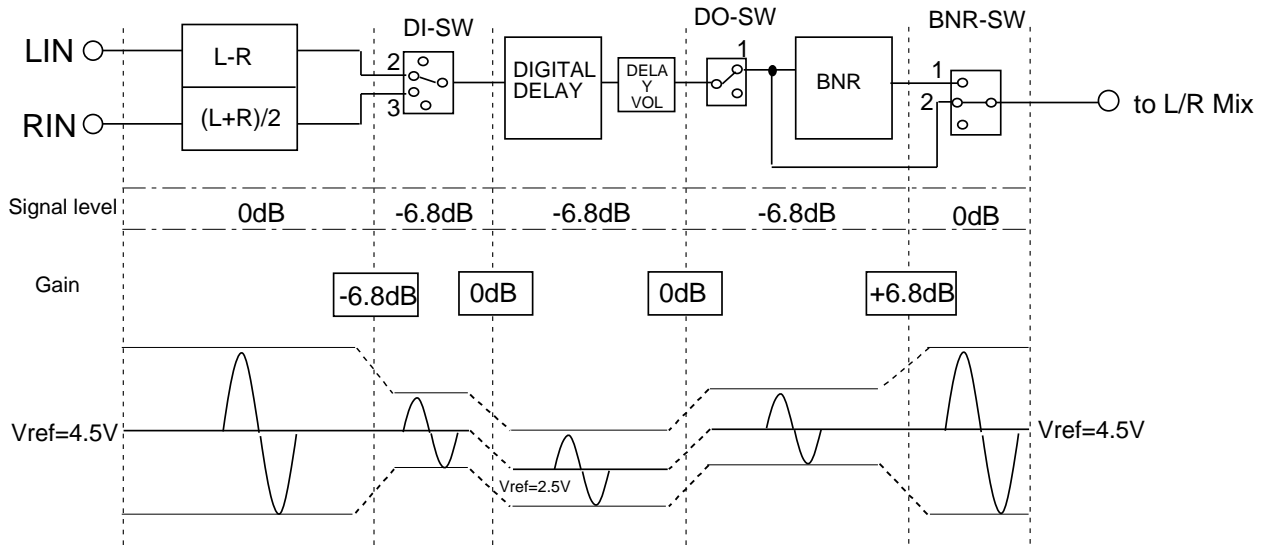
Signal level : 0dB=300mVrms(typ.)

MITSUBISHI SOUND PROCESSOR ICs
M62464BFP
 Dolby Pro Logic Surround Decoder
 with Discrete 5.1ch Analog Input

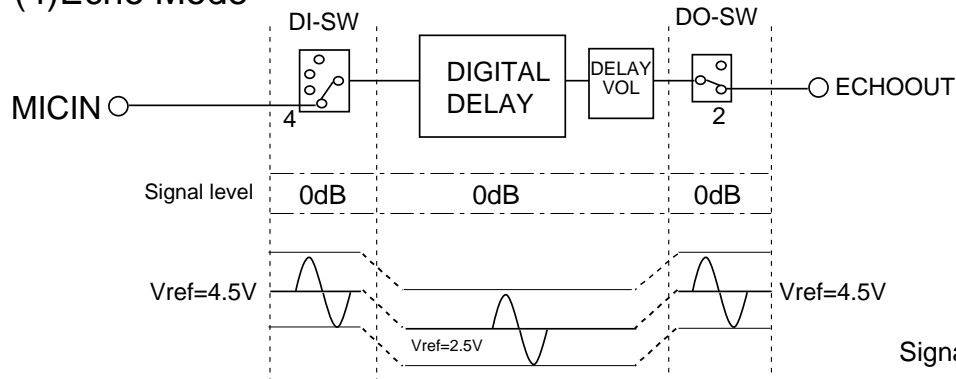
(2)5.1ch Signal Input Mode
C,SL,SR,SW ch



(3)Space Surround Mode
Delay Signal



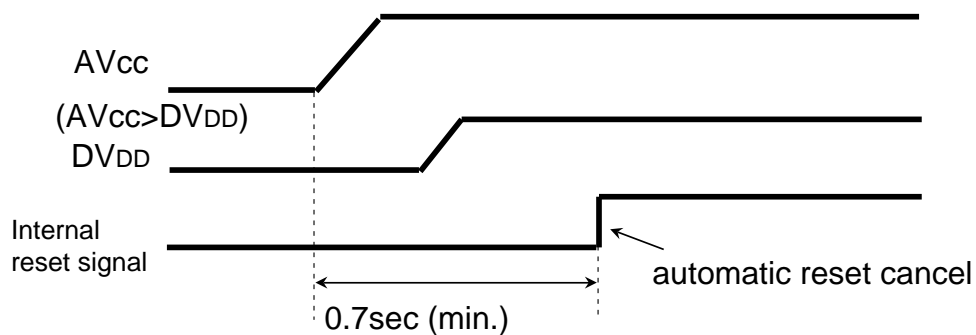
(4)Echo Mode



Signal level : 0dB=300mVrms(typ.)

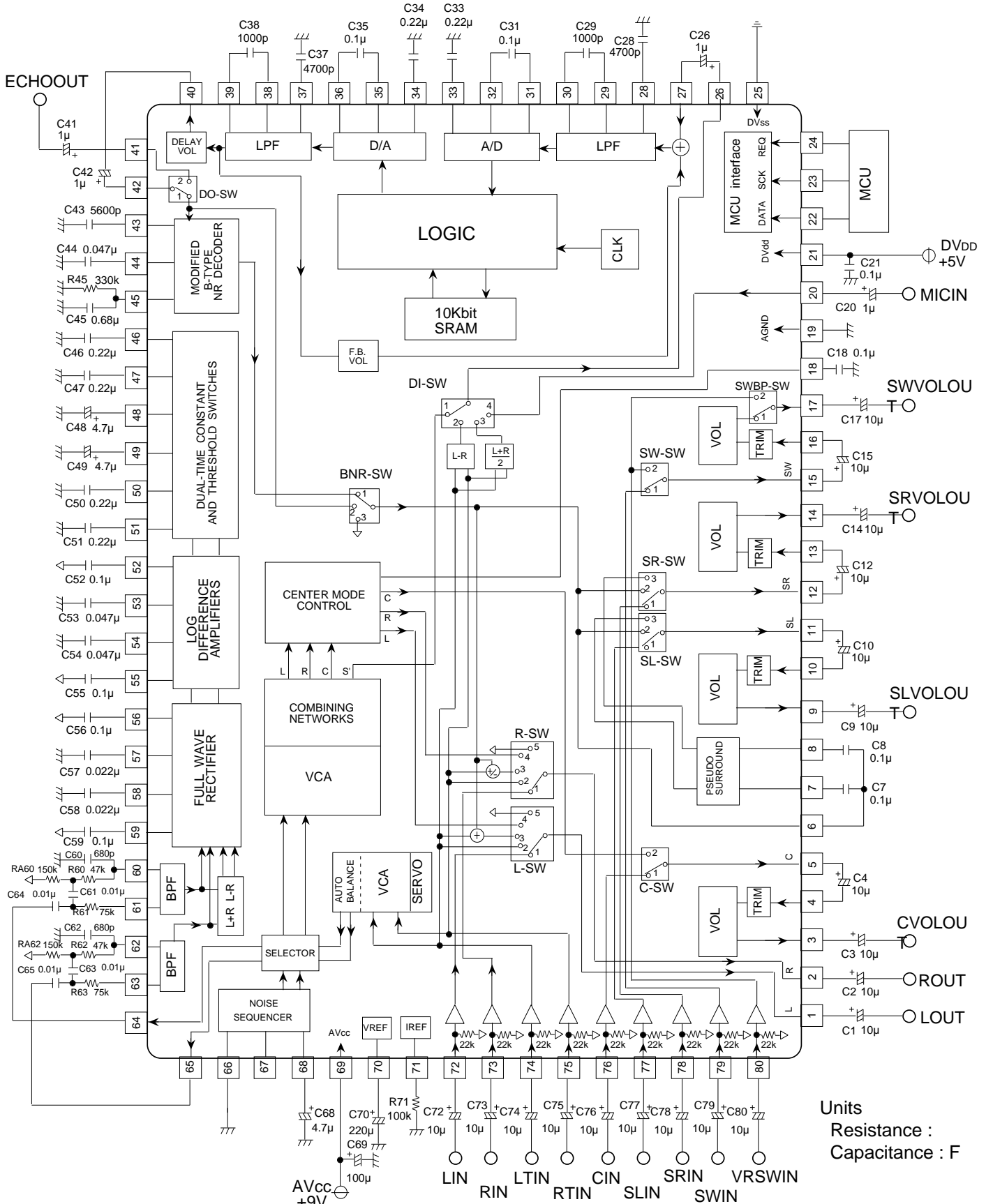
M62464BFPDolby Pro Logic Surround Decoder
with Discrete 5.1ch Analog Input**NOTICE**

Relation AVcc and DVDD at power supply
Digital VDD must be supplied less than 0.7 seconds from
analog Vcc supply.



MITSUBISHI SOUND PROCESSOR ICs
M62464BFP
 Dolby Pro Logic Surround Decoder
 with Discrete 5.1ch Analog Input

APPLICATION EXAMPLE



M62464BFPDolby Pro Logic Surround Decoder
with Discrete 5.1ch Analog Input**EXTERNAL PARTS LIST**

Parts No.	Values	Unit	Tol.	Parts No.	Values	Unit	Tol.
C1	10	μF		C57	0.022	μF	5%
C2	10	μF		C58	0.022	μF	5%
C3	10	μF		C59	0.1	μF	20%
C4	10	μF		C60	680	pF	5%
C7	0.1	μF		C61	0.01	μF	5%
C8	0.1	μF		C62	680	pF	5%
C9	10	μF		C63	0.01	μF	5%
C10	10	μF		C64	0.01	μF	5%
C12	10	μF		C65	0.01	μF	5%
C14	10	μF		C68	4.7	μF	
C15	10	μF		C69	100	μF	
C17	10	μF		C70	220	μF	
C18	0.1	μF	10%	C72	10	μF	
C20	1.0	μF		C73	10	μF	
C21	0.1	μF		C74	10	μF	
C26	1.0	μF		C75	10	μF	
C28	4700	pF	5%	C76	10	μF	
C29	1000	pF	5%	C77	10	μF	
C31	0.1	μF	5%	C78	10	μF	
C33	0.22	μF	5%	C79	10	μF	
C34	0.22	μF	5%	C80	10	μF	
C35	0.1	μF	5%				
C37	4700	pF	5%				
C38	1000	pF	5%				
C41	1.0	μF					
C42	1.0	μF					
C43	5600	pF	5%				
C44	0.047	μF	5%	R45	330	k	10%
C45	0.68	μF	10%	R60	47	k	5%
C46	0.22	μF	10%	RA60	150	k	5%
C47	0.22	μF	10%	R61	75	k	5%
C48	4.7	μF	20%	R62	47	k	5%
C49	4.7	μF	20%	RA62	150	k	5%
C50	0.22	μF	10%	R63	75	k	5%
C51	0.22	μF	10%	R71	100	k	5%
C52	0.1	μF	20%				
C53	0.047	μF	5%				
C54	0.047	μF	5%				
C55	0.1	μF	20%				
C56	0.1	μF	20%				

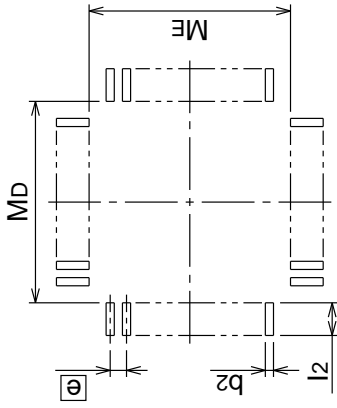
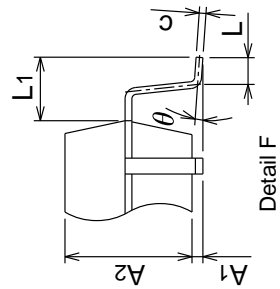
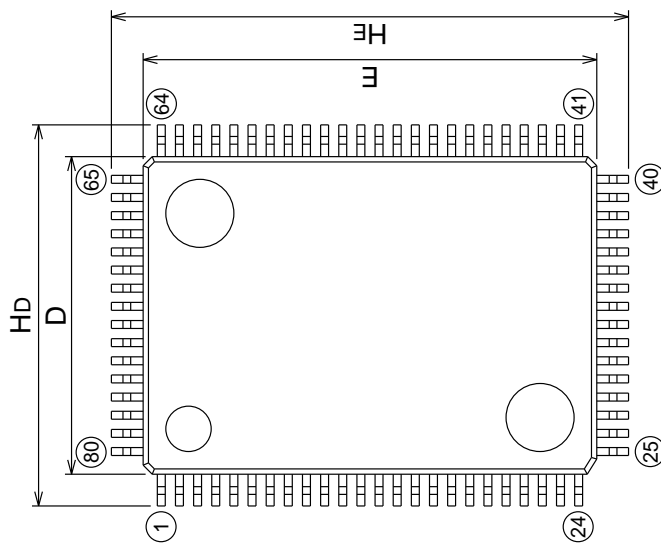
M62464BFP

Dolby Pro Logic Surround Decoder
with Discrete 5.1ch Analog Input

DETAILED DIAGRAM OF PACKAGE OUTLINE

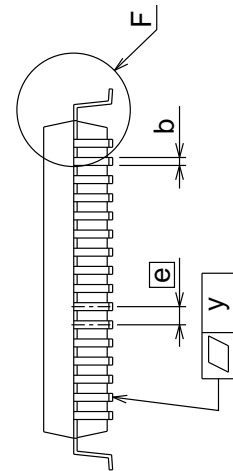
80P6N-A Plastic 80pin 14X20mm body QFP

EIAJ Package Code QFP80-P-1420-0.80	JEDEC Code -	Weight(g) 1.58	Lead Material Alloy 42
--	-----------------	-------------------	---------------------------



Recommended Mount Pad

Symbol	Dimension in Millimeters		
	Min	Nom	Max
A	-	-	3.05
A1	0	0.1	0.2
A2	-	2.8	-
b	0.3	0.35	0.45
c	0.13	0.15	0.2
D	13.8	14.0	14.2
E	19.8	20.0	20.2
e	-	0.8	-
HD	16.5	16.8	17.1
HE	22.5	22.8	23.1
L	0.4	0.6	0.8
L1	-	1.4	-
y	-	-	0.1
θ	0°	-	10°
b2	-	0.5	-
l2	1.3	-	-
MD	-	14.6	-
ME	-	20.6	-



MITSUBISHI SOUND PROCESSOR ICs
M62464BFP
Dolby Pro Logic Surround Decoder
with Discrete 5.1ch Analog Input

Keep safety first in your circuit designs!

●Mitsubishi Electric Corporation puts the maximum effort into making semiconductor products better and more reliable, but there is always the possibility that trouble may occur with them. Trouble with semiconductors may lead to personal injury, fire or property damage. Remember to give due consideration to safety when making your circuit designs, with appropriate measures such as (i) placement of substitutive, auxiliary circuits, (ii) use of non-flammable material or (iii) prevention against any malfunction or mishap.

Notes regarding these materials

●These materials are intended as a reference to assist our customers in the selection of the Mitsubishi semiconductor product best suited to the customer's application; they do not convey any license under any intellectual property rights, or any other rights, belonging to Mitsubishi Electric Corporation or a third party.

●Mitsubishi Electric Corporation assumes no responsibility for any damage, or infringement of any third-party's rights, originating in the use of any product data, diagrams, charts, programs, algorithms, or circuit application examples contained in these materials.

●All information contained in these materials, including product data, diagrams, charts, programs and algorithms represents information on products at the time of publication of these materials, and are subject to change by Mitsubishi Electric Corporation without notice due to product improvements or other reasons. It is therefore recommended that customers contact Mitsubishi Electric Corporation or an authorized Mitsubishi Semiconductor product distributor for the latest product information before purchasing a product listed herein. The information described here may contain technical inaccuracies or typographical errors. Mitsubishi Electric Corporation assumes no responsibility for any damage, liability, or other loss rising from these inaccuracies or errors.

Please also pay attention to information published by Mitsubishi Electric Corporation by various means, including the Mitsubishi Semiconductor home page (<http://www.mitsubishichips.com>).

●When using any or all of the information contained in these materials, including product data, diagrams, charts, programs, and algorithms, please be sure to evaluate all information as a total system before making a final decision on the applicability of the information and products. Mitsubishi Electric Corporation assumes no responsibility for any damage, liability or other loss resulting from the information contained herein.

●Mitsubishi Electric Corporation semiconductors are not designed or manufactured for use in a device or system that is used under circumstances in which human life is potentially at stake. Please contact Mitsubishi Electric Corporation or an authorized Mitsubishi Semiconductor product distributor when considering the use of a product contained herein for any specific purposes, such as apparatus or systems for transportation, vehicular, medical, aerospace, nuclear, or undersea repeater use.

●The prior written approval of Mitsubishi Electric Corporation is necessary to reprint or reproduce in whole or in part these materials.

●If these products or technologies are subject to the Japanese export control restrictions, they must be exported under a license from the Japanese government and cannot be imported into a country other than the approved destination.

Any diversion or reexport contrary to the export control laws and regulations of Japan and/or the country of destination is prohibited.

●Please contact Mitsubishi Electric Corporation or an authorized Mitsubishi Semiconductor product distributor for further details on these materials or the products contained therein.