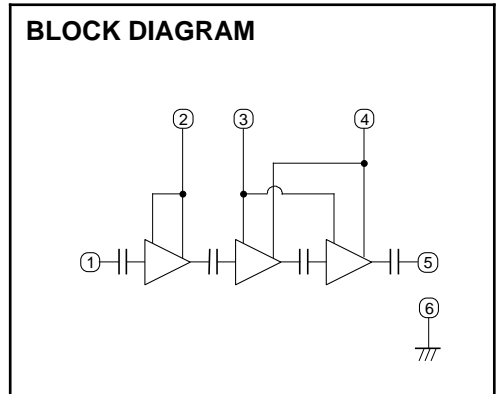
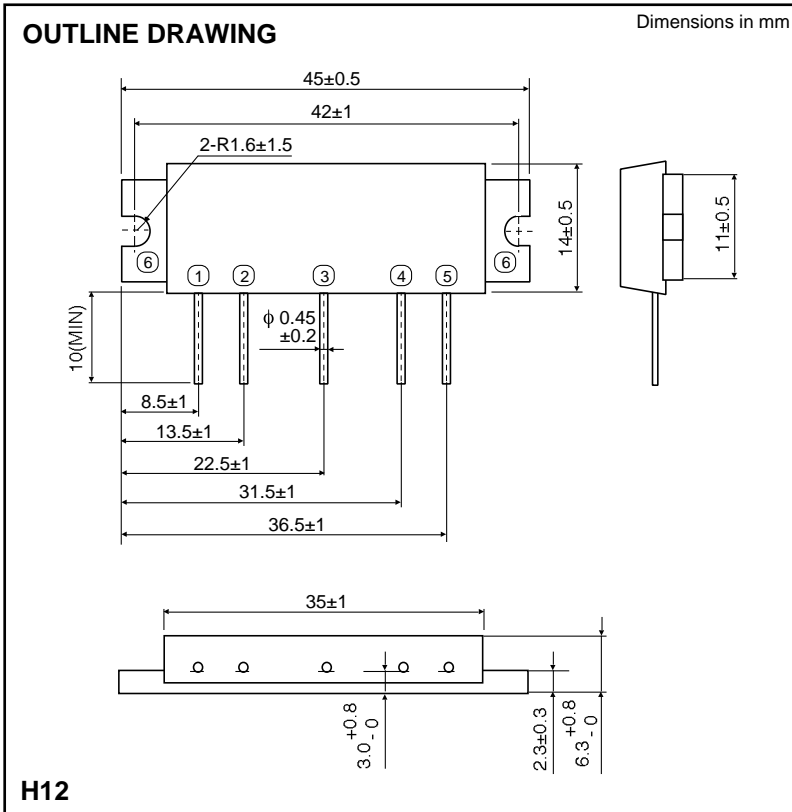


MITSUBISHI RF POWER MODULE
M68763H

230-250MHz, 7.2V, 5.3W, FM PORTABLE RADIO



- PIN:
 ① Pin : RF INPUT
 ② VCC1 : 1st. DC SUPPLY
 ③ VBB : BASE BIAS SUPPLY
 ④ VCC2 : 2nd. DC SUPPLY
 ⑤ Po : RF OUTPUT
 ⑥ GND : FIN

ABSOLUTE MAXIMUM RATINGS (Tc=25°C unless otherwise noted)

Symbol	Parameter	Conditions	Ratings	Unit
VCC	Supply voltage	VBB 5V, ZG=ZL=50	10	V
VBB	Base bias	VCC 7.2V, ZG=ZL=50	5.5	V
ICc	Total current	ZG=ZL=50	4	A
P _{in} (max)	Input power	ZG=ZL=50, VCC1 7.2V	20	mW
P _O (max)	Output power	ZG=ZL=50, VCC1 7.2V	10	W
T _C (OP)	Operation case temperature	ZG=ZL=50, VCC1 7.2V	-30 to +110	°C
T _{stg}	Storage temperature		-40 to +110	°C

Note. Above each maximum ratings are guaranteed independently.

ELECTRICAL CHARACTERISTICS (Tc=25°C unless otherwise noted)

Symbol	Parameter	Test conditions	Limits		Unit
			Min	Max	
f	Frequency range	P _{in} =10mW, VBB=5V, VCC1=VCC2=7.2V, ZG=ZL=50	230	250	MHz
P _O	Output power		5.3		W
η	Total efficiency		35		%
2f _o	2nd. harmonic			-25	dBc
3f _o	3rd. harmonic			-30	dBc
in	Input VSWR			3.5	—
—	Load VSWR tolerance	VCC2=9V, VBB=5V, P _{in} =10mW, P _O =5.3W (VCC1 : Controlled), ZG=50, Load VSWR = 20:1 (All phase)	No degradation or destroy		—

Note. Above parameters, ratings, limits and test conditions are subject to change.