



M68AW031A

256 Kbit (32K x8) 3.0V Asynchronous SRAM

FEATURES SUMMARY

- SUPPLY VOLTAGE: 2.7 to 3.6V
- 32K x 8 bits SRAM with OUTPUT ENABLE
- EQUAL CYCLE and ACCESS TIME: 70ns
- LOW STANDBY CURRENT
- LOW V_{CC} DATA RETENTION: 1.5V
- TRI-STATE COMMON I/O
- AUTOMATIC POWER DOWN

Figure 1. Packages

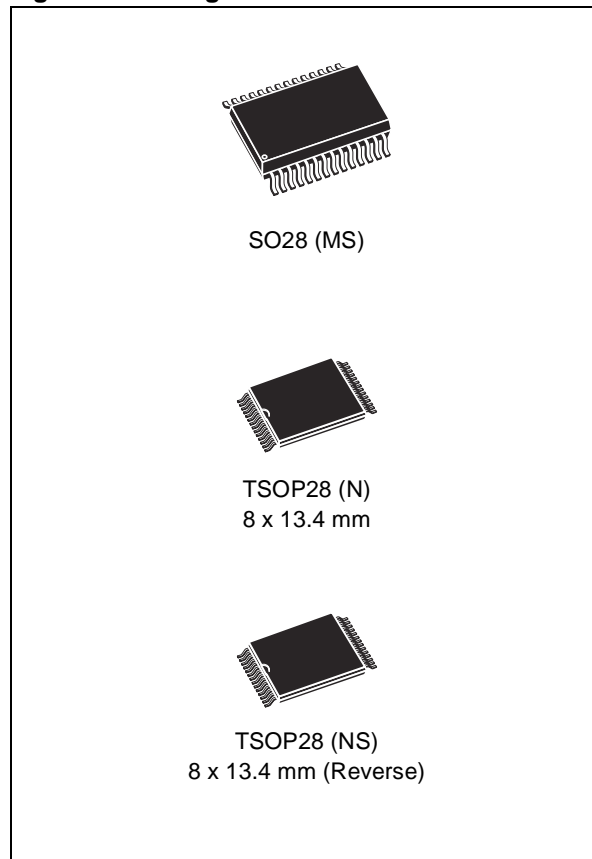


TABLE OF CONTENTS

SUMMARY DESCRIPTION 3

- Figure 2. Logic Diagram 3
- Table 1. Signal Names 3
- Figure 3. SO Connections 4
- Figure 4. TSOP Connections (Reverse) 4
- Figure 5. TSOP Connections (Normal) 4
- Figure 6. Block Diagram 5

MAXIMUM RATING. 5

- Table 2. Absolute Maximum Ratings. 5

DC AND AC PARAMETERS. 6

- Table 3. Operating and AC Measurement Conditions. 6
- Figure 7. AC Measurement I/O Waveform 6
- Figure 8. AC Measurement Load Circuit 6
- Table 4. Capacitance. 7
- Table 5. DC Characteristics. 7

OPERATION 8

- Table 6. Operating Modes 8
- Read Mode 8
- Figure 9. Address Controlled, Read Mode AC Waveforms 8
- Figure 10. Chip Enable or Output Enable Controlled, Read Mode AC Waveforms. 9
- Figure 11. Chip Enable Controlled, Standby Mode AC Waveforms 9
- Table 7. Read and Standby Mode AC Characteristics 10
- Write Mode 11
- Figure 12. Write Enable Controlled, Write AC Waveforms 11
- Figure 13. Chip Enable Controlled, Write AC Waveforms. 12
- Table 8. Write Mode AC Characteristics 13
- Figure 14. Low V_{CC} Data Retention AC Waveforms 14
- Table 9. Low V_{CC} Data Retention Characteristics. 14

PACKAGE MECHANICAL 15

- SO28 - 28 lead Plastic Small Outline, 300 mils body width, Package Outline 15
- SO28 - 28 lead Plastic Small Outline, 300 mils body width, Package Mechanical Data 15
- TSOP28 - 28 lead Normal and Reverse Pinout Plastic Small Outline, Package Outline 16
- TSOP28 - 28 lead Normal and Reverse Pinout Plastic Small Outline, Package Mechanical Data. 16

PART NUMBERING 17

- Table 12. Ordering Information Scheme 17

REVISION HISTORY. 18

- Table 13. Document Revision History 18



SUMMARY DESCRIPTION

The M68AW031A is a 256 Kbit (262,144 bit) CMOS SRAM, organized as 32,768 bytes by 8 bits. The device features fully static operation requiring no external clocks or timing strobes, with equal address access and cycle times. It requires a single 2.7 to 3.6V supply. This device has an au-

tomatic power-down feature, reducing the power consumption by over 99% when deselected.

The M68AW031A is available in SO28 (28-lead Small Outline) and TSOP28 (28-lead Thin Small Outline, Standard and Reverse Pinout) packages.

Figure 2. Logic Diagram

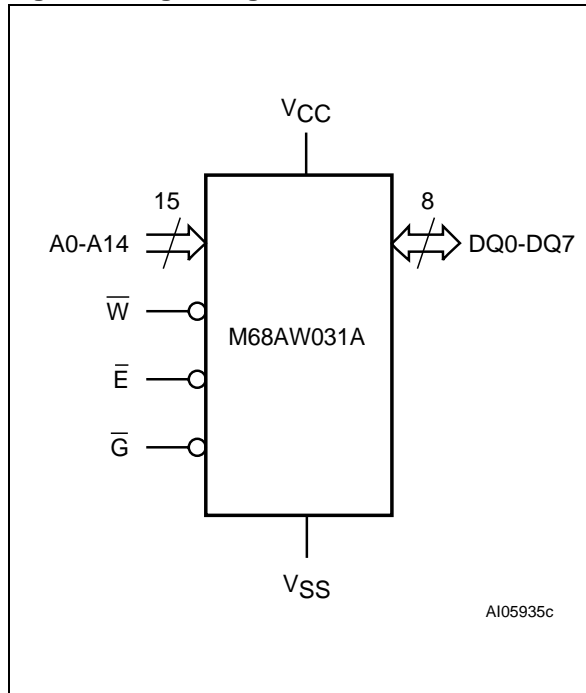


Table 1. Signal Names

| | |
|-----------------|-------------------|
| A0-A14 | Address Inputs |
| DQ0-DQ7 | Data Input/Output |
| \bar{E} | Chip Enable |
| \bar{G} | Output Enable |
| \bar{W} | Write Enable |
| V _{CC} | Supply Voltage |
| V _{SS} | Ground |

M68AW031A

Figure 3. SO Connections

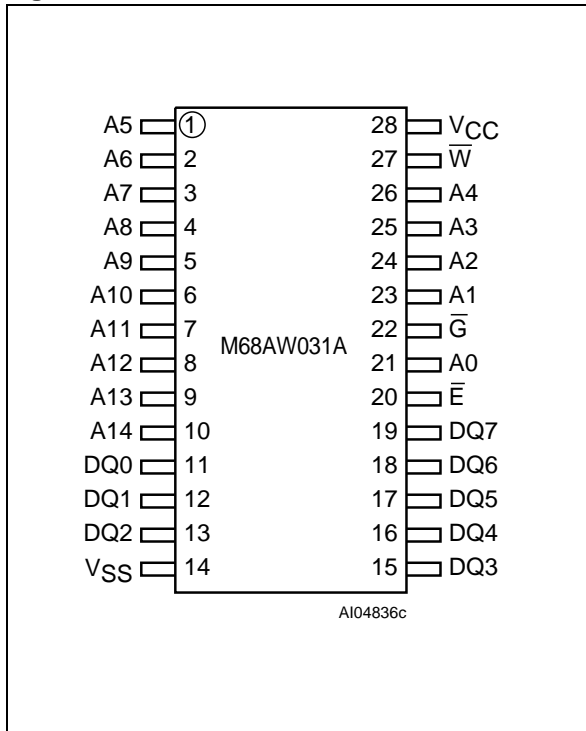


Figure 5. TSOP Connections (Normal)

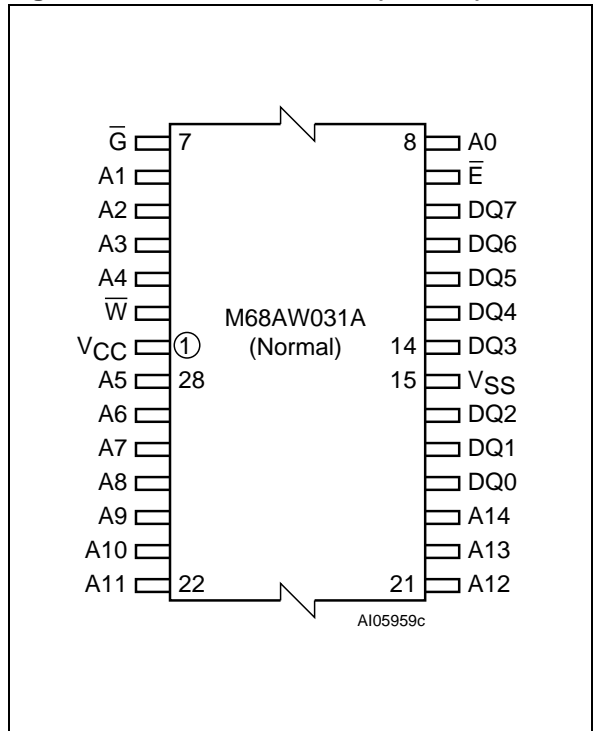


Figure 4. TSOP Connections (Reverse)

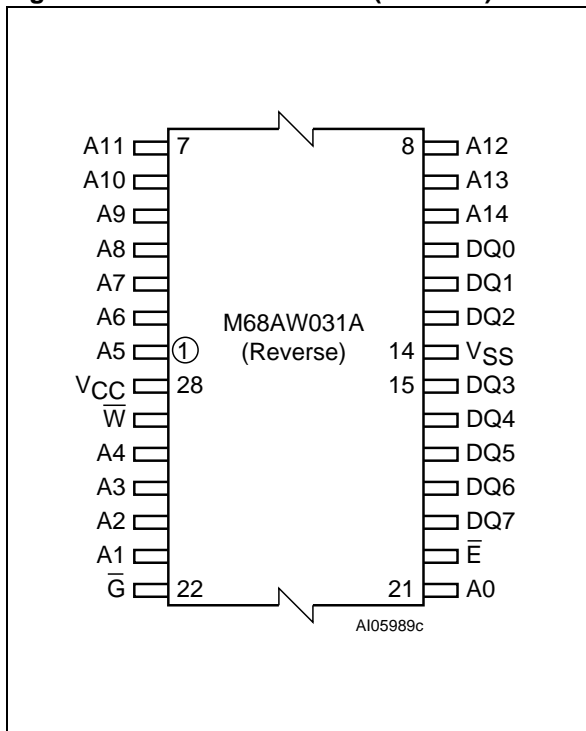
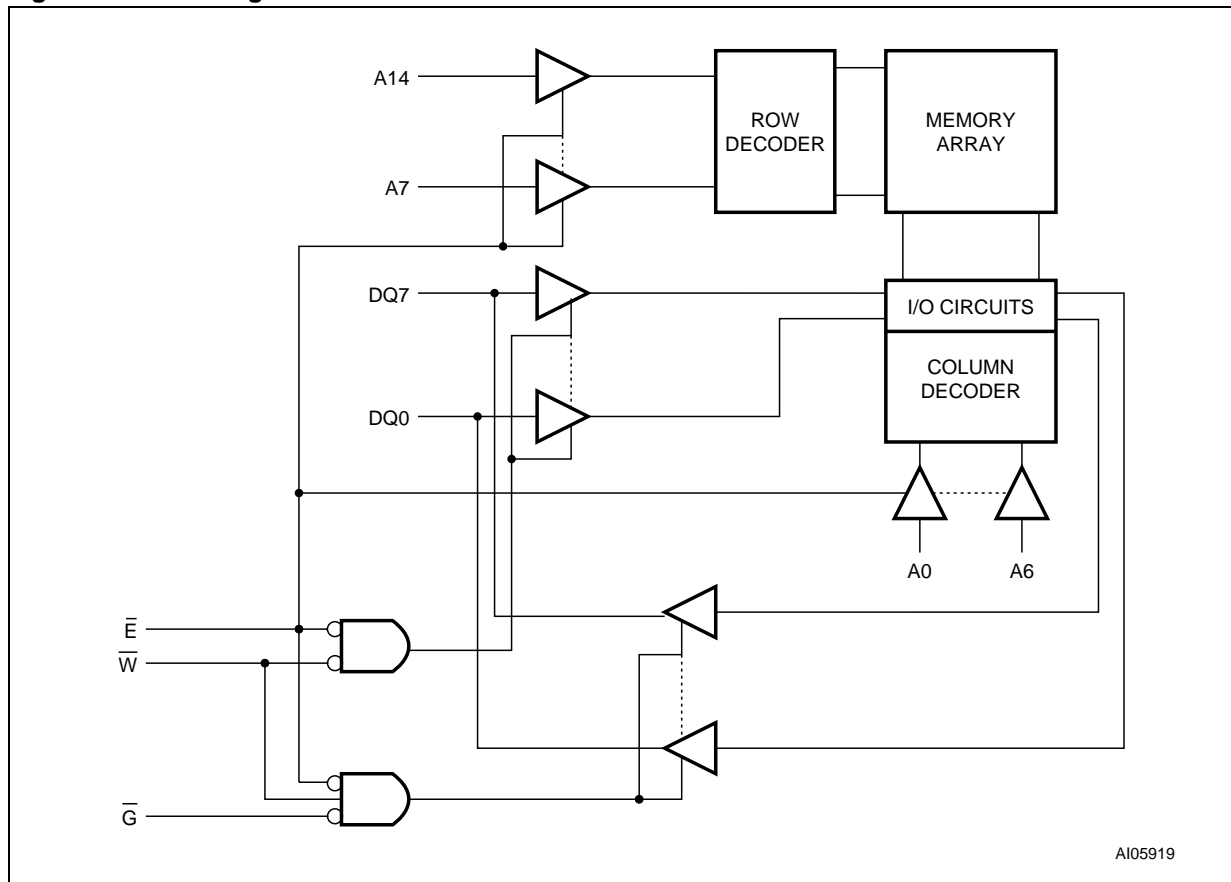


Figure 6. Block Diagram



MAXIMUM RATING

Stressing the device above the rating listed in the Absolute Maximum Ratings table may cause permanent damage to the device. These are stress ratings only and operation of the device at these or any other conditions above those indicated in the Operating sections of this specification is not im-

plied. Exposure to Absolute Maximum Rating conditions for periods greater than 1 sec periods may affect device reliability. Refer also to the STMicroelectronics SURE Program and other relevant quality documents.

Table 2. Absolute Maximum Ratings

| Symbol | Parameter | Value | Unit |
|----------------|-------------------------------|------------------------|------|
| $I_O^{(1)}$ | Output Current | 20 | mA |
| T_A | Ambient Operating Temperature | -55 to 125 | °C |
| T_{STG} | Storage Temperature | -65 to 150 | °C |
| V_{CC} | Supply Voltage | -0.5 to 4.6 | V |
| $V_{IO}^{(2)}$ | Input or Output Voltage | -0.5 to $V_{CC} + 0.5$ | V |
| P_D | Power Dissipation | 1 | W |

Note: 1. One output at time not to exceed 1 second duration.
2. Up to a maximum operating V_{CC} of 3.6V only.

DC AND AC PARAMETERS

This section summarizes the operating and measurement conditions, as well as the DC and AC characteristics of the device. The parameters in the following DC and AC Characteristic tables are derived from tests performed under the Measure-

ment Conditions listed in the relevant tables. Designers should check that the operating conditions in their projects match the measurement conditions when using the quoted parameters.

Table 3. Operating and AC Measurement Conditions

| Parameter | | M68AW031A |
|--|---------|---|
| V _{CC} Supply Voltage | | 2.7 to 3.6V |
| Ambient Operating Temperature | Range 1 | 0 to 70°C |
| | Range 6 | -40 to 85°C |
| Load Capacitance (C _L) | | 30pF |
| Output Circuit Protection Resistance (R ₁) | | 3.0kΩ |
| Load Resistance (R ₂) | | 3.1kΩ |
| Input Rise and Fall Times | | 1ns/V |
| Input Pulse Voltages | | 0 to V _{CC} |
| Input and Output Timing Ref. Voltages | | V _{CC} /2 |
| Output Transition Timing Ref. Voltages | | V _{RL} = 0.3V _{CC} ; V _{RH} = 0.7V _{CC} |

Figure 7. AC Measurement I/O Waveform

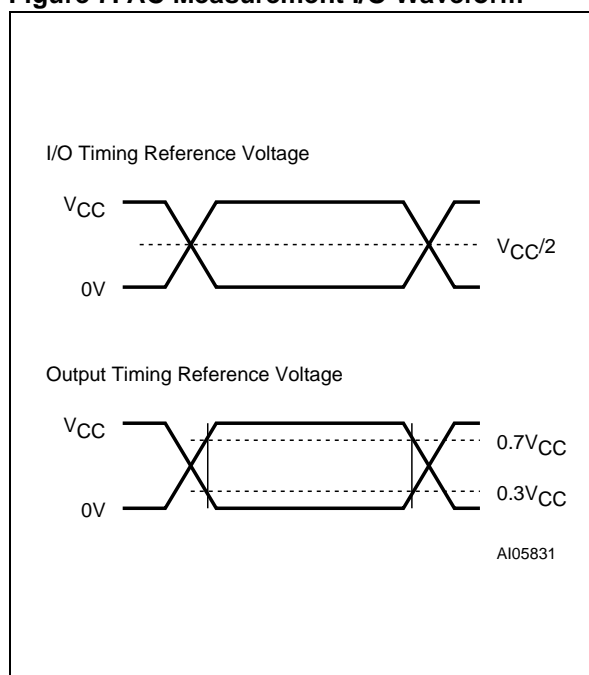


Figure 8. AC Measurement Load Circuit

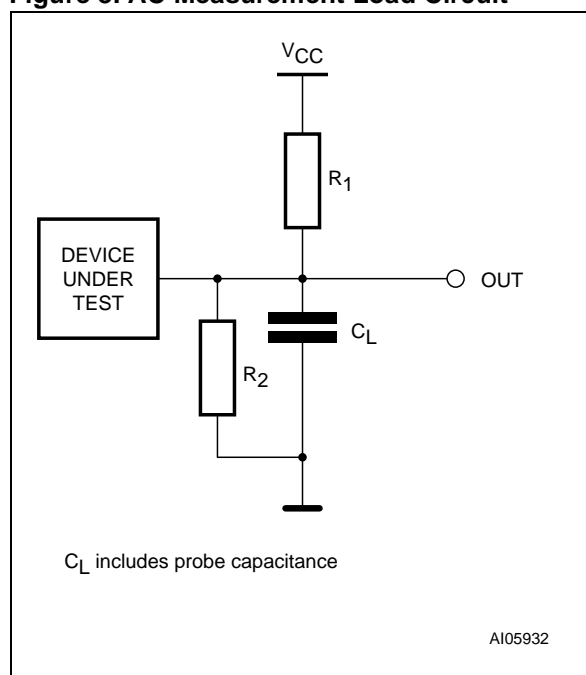


Table 4. Capacitance

| Symbol | Parameter ^(1,2) | Test Condition | Min | Max | Unit |
|------------------|---|-----------------------|-----|-----|------|
| C _{IN} | Input Capacitance on all pins (except DQ) | V _{IN} = 0V | | 6 | pF |
| C _{OUT} | Output Capacitance | V _{OUT} = 0V | | 8 | pF |

Note: 1. Sampled only, not 100% tested.
 2. At T_A = 25°C, f = 1 MHz, V_{CC} = 3.0V.

Table 5. DC Characteristics

| Symbol | Parameter | Test Condition | Min | Typ | Max | Unit |
|-----------------------------------|-----------------------------|--|------|-----|-----------------------|------|
| I _{CC1} ^(1,2) | Operating Supply Current | V _{CC} = 3.6V, f = 1/t _{AVAV} , I _{OUT} = 0mA | | | 30 | mA |
| I _{CC2} ⁽³⁾ | Operating Supply Current | V _{CC} = 3.6V, f = 1MHz, I _{OUT} = 0mA | | 2 | 5 | mA |
| I _{SB} | Standby Supply Current CMOS | V _{CC} = 3.6V, f = 0, $\bar{E} \geq V_{CC} - 0.2V$ or V _{IN} = 0.2V or V _{IN} = V _{CC} - 0.2V | | 0.1 | 10 | μA |
| I _{LI} | Input Leakage Current | 0V ≤ V _{IN} ≤ V _{CC} | -1 | | 1 | μA |
| I _{LO} ⁽⁴⁾ | Output Leakage Current | 0V ≤ V _{OUT} ≤ V _{CC} | -1 | | 1 | μA |
| V _{IH} | Input High Voltage | | 2.2 | | V _{CC} + 0.3 | V |
| V _{IL} | Input Low Voltage | | -0.3 | | 0.6 | V |
| V _{OH} | Output High Voltage | I _{OH} = -1.0mA | 2.4 | | | V |
| V _{OL} | Output Low Voltage | I _{OL} = 2.1mA | | | 0.4 | V |

Note: 1. Average AC current, cycling at t_{AVAV} minimum.
 2. $\bar{E} = V_{IL}$, V_{IN} = V_{IL} or V_{IH}.
 3. $\bar{E} \leq 0.2V$, V_{IN} ≤ 0.2V or V_{IN} ≥ V_{CC} - 0.2V.
 4. Output disabled.

M68AW031A

OPERATION

The M68AW031A has a Chip Enable power down feature which invokes an automatic standby mode whenever Chip Enable is de-asserted (\bar{E} = High). An Output Enable (\bar{G}) signal provides a high speed tri-state control, allowing fast read/write cycles to be achieved with the common I/O data bus.

Operational modes are determined by device control inputs \bar{W} and \bar{E} as summarized in the Operating Modes table (see Table 6).

Table 6. Operating Modes

| Operation | \bar{E} | \bar{W} | \bar{G} | DQ0-DQ7 | Power |
|-----------------|-----------|-----------|-----------|-------------|----------------------|
| Deselected | V_{IH} | X | X | Hi-Z | Standby (I_{SB}) |
| Read | V_{IL} | V_{IH} | V_{IL} | Data Output | Active (I_{CC}) |
| Write | V_{IL} | V_{IL} | X | Data Input | Active (I_{CC}) |
| Output Disabled | V_{IL} | V_{IH} | V_{IH} | Hi-Z | Active (I_{CC}) |

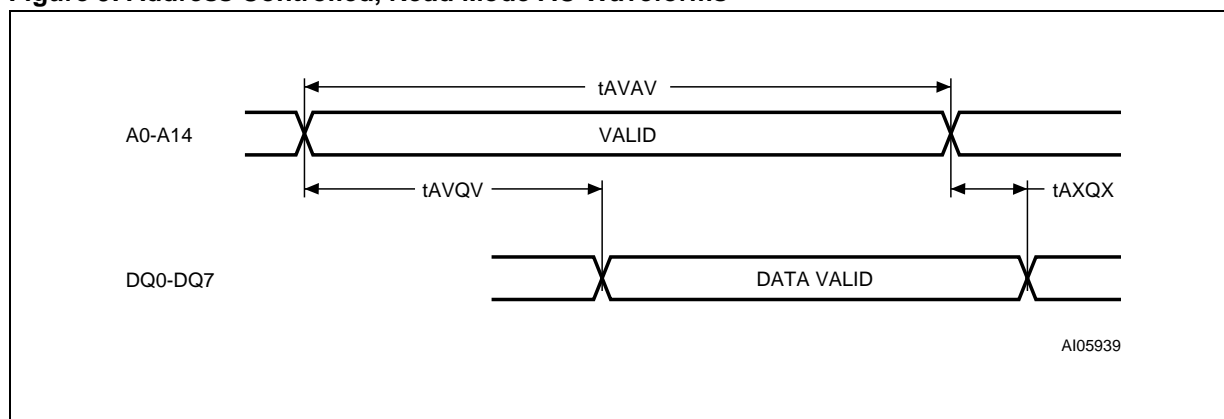
Note: X = V_{IH} or V_{IL} .

Read Mode

The M68AW031A is in the Read mode whenever Write Enable (\bar{W}) is High with Output Enable (\bar{G}) Low, and Chip Enable (\bar{E}) is asserted. This provides access to data of the 262,144 locations in the static memory array, specified by the 15 address inputs. Valid data will be available at the eight output pins within t_{AVQV} after the last stable

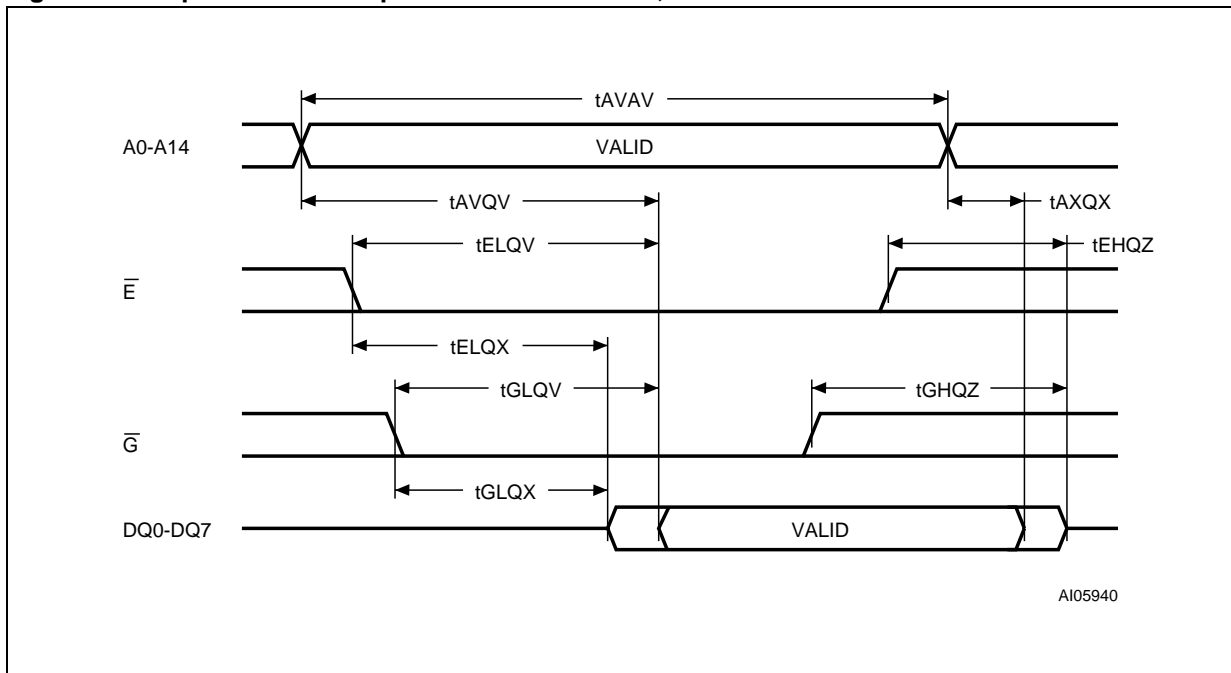
address, providing \bar{G} is Low and \bar{E} is Low. If Chip Enable or Output Enable access times are not met, data access will be measured from the limiting parameter (t_{ELQV} or t_{GLQV}) rather than the address. Data out may be indeterminate at t_{ELQX} and t_{GLQX} but data lines will always be valid at t_{AVQV} .

Figure 9. Address Controlled, Read Mode AC Waveforms



Note: \bar{E} = Low, \bar{G} = Low, \bar{W} = High.

Figure 10. Chip Enable or Output Enable Controlled, Read Mode AC Waveforms.



Note: Write Enable (\bar{W}) = High.

Figure 11. Chip Enable Controlled, Standby Mode AC Waveforms

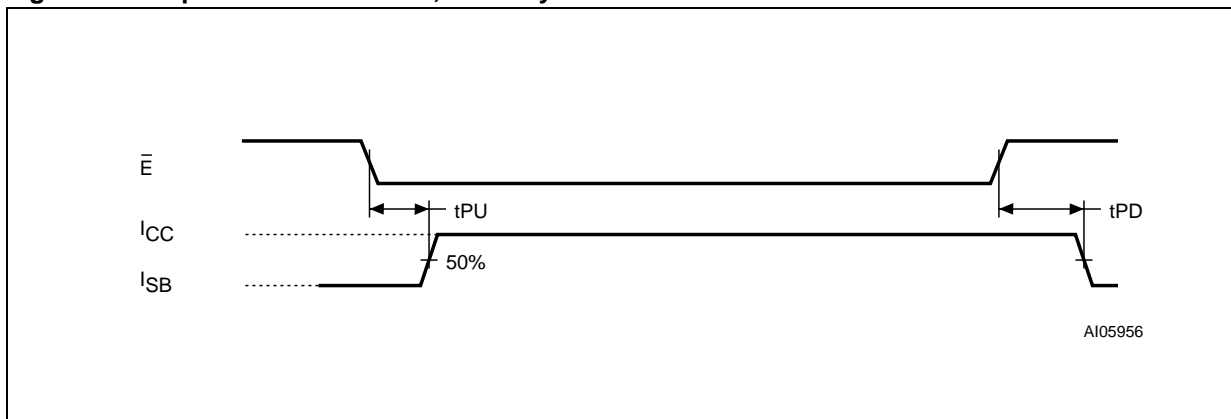


Table 7. Read and Standby Mode AC Characteristics

| Symbol | Parameter | | M68AW031A | Unit |
|------------------------------------|--|-----|-----------|------|
| | | | 70 | |
| t _{AVAV} | Read Cycle Time | Min | 70 | ns |
| t _{AVQV} | Address Valid to Output Valid | Max | 70 | ns |
| t _{AXQX} ⁽¹⁾ | Data hold from address change | Min | 10 | ns |
| t _{EHQZ} ^(2,3) | Chip Enable High to Output Hi-Z | Max | 25 | ns |
| t _{ELQV} | Chip Enable Low to Output Valid | Max | 70 | ns |
| t _{ELQX} ⁽¹⁾ | Chip Enable Low to Output Transition | Min | 10 | ns |
| t _{GHQZ} ^(2,3) | Output Enable High to Output Hi-Z | Max | 25 | ns |
| t _{GLQV} | Output Enable Low to Output Valid | Max | 35 | ns |
| t _{GLQX} ⁽¹⁾ | Output Enable Low to Output Transition | Min | 5 | ns |
| t _{PD} ⁽⁴⁾ | Chip Enable High to Power Down | Max | 0 | ns |
| t _{PU} ⁽⁴⁾ | Chip Enable Low to Power Up | Min | 70 | ns |

- Note: 1. Test conditions assume transition timing reference level = 0.3V_{CC} or 0.7V_{CC}.
 2. At any given temperature and voltage condition, t_{GHQZ} is less than t_{GLQX} and t_{EHQZ} is less than t_{ELQX} for any given device.
 3. These parameters are defined as the time at which the outputs achieve the open circuit conditions and are not referenced to output voltage levels.
 4. Tested initially and after any design or process changes that may affect these parameters.

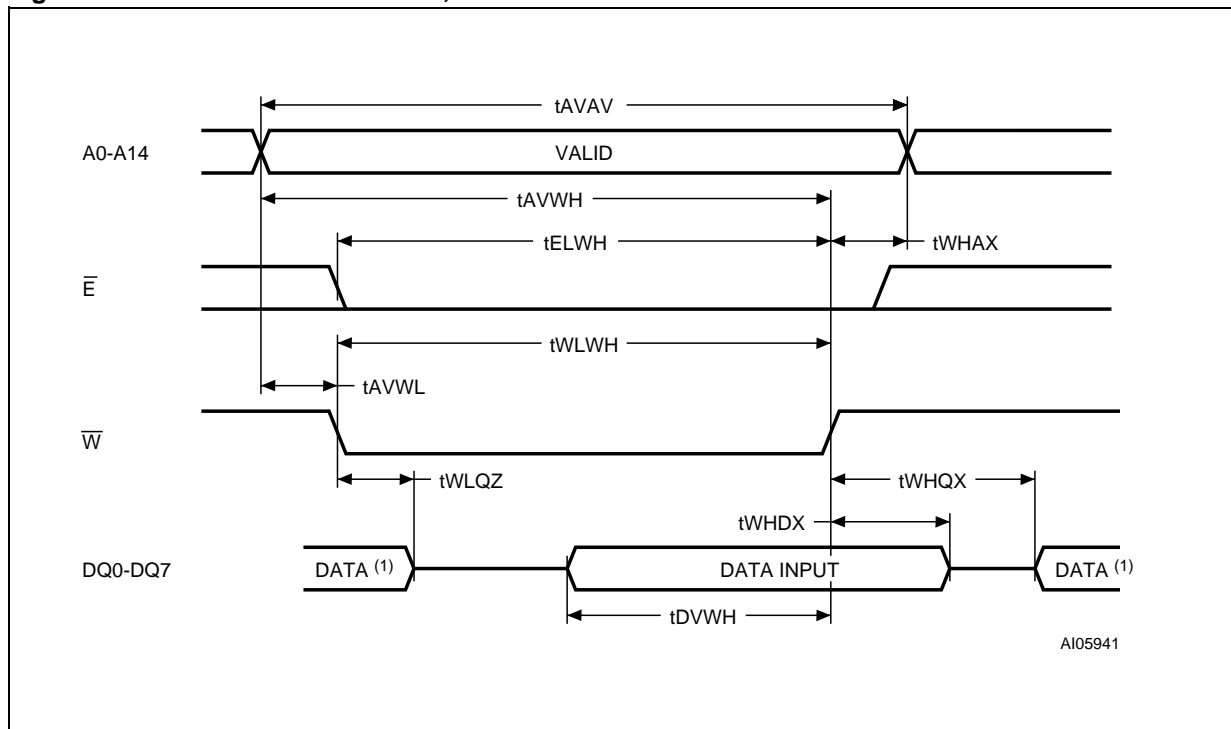
Write Mode

The M68AW031A is in the Write mode whenever the \overline{W} and \overline{E} are Low. Either the Chip Enable input (\overline{E}) or the Write Enable input (\overline{W}) must be deasserted during Address transitions for subsequent write cycles. When \overline{E} (\overline{W}) is Low, write cycle begins on the \overline{W} (\overline{E})'s falling edge. Therefore, address setup time is referenced to Write Enable or Chip Enable as t_{AVWL} and t_{AVEL} respectively, and is determined by the latter occurring edge.

The Write cycle can be terminated by the earlier rising edge of \overline{E} or \overline{W} .

If the Output is enabled ($\overline{E} = \text{Low}$, $\overline{G} = \text{Low}$), then \overline{W} will return the outputs to high impedance within t_{WLQZ} of its falling edge. Care must be taken to avoid bus contention in this type of operation. Data input must be valid for t_{DVWH} before the rising edge of Write Enable, or for t_{DVEH} before the rising edge of \overline{E} , whichever occurs first, and remain valid for t_{WHDX} and t_{EHDX} respectively.

Figure 12. Write Enable Controlled, Write AC Waveforms



Note: 1. During this period DQ0-DQ7 are in output state and input signals should not be applied.

Figure 13. Chip Enable Controlled, Write AC Waveforms

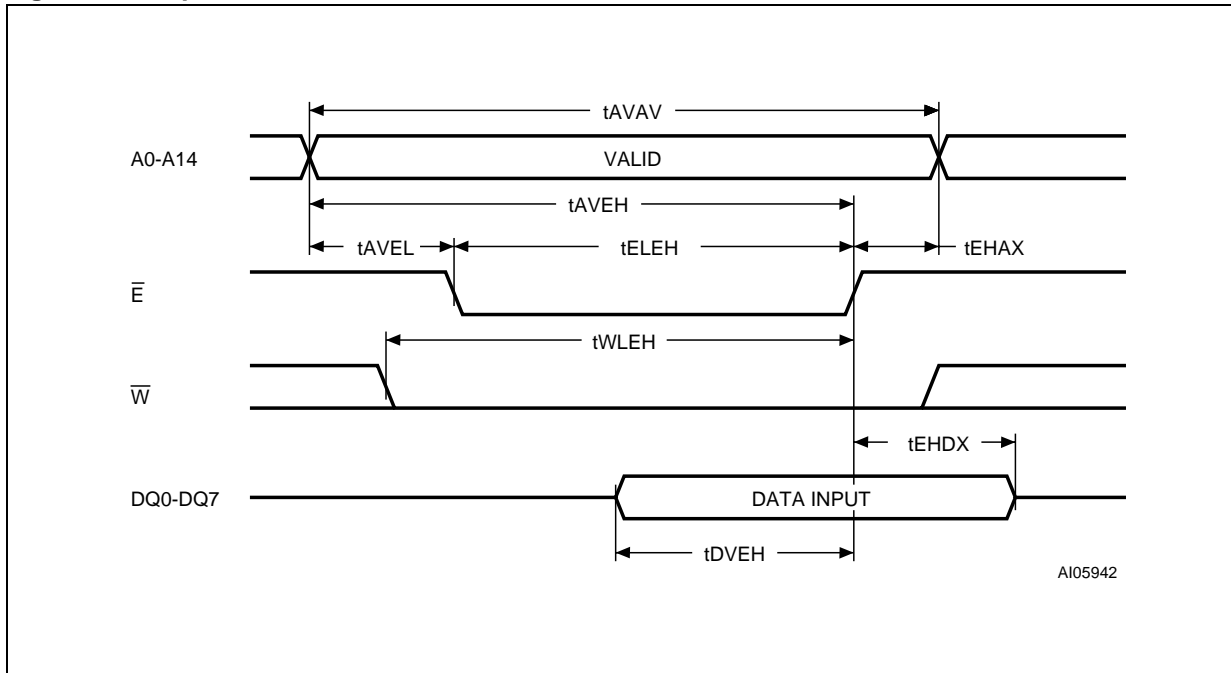


Table 8. Write Mode AC Characteristics

| Symbol | Parameter | | M68AW031A | Unit |
|--------------------|---|-----|-----------|------|
| | | | 70 | |
| t_{AVAV} | Write Cycle Time | Min | 70 | ns |
| t_{AVEH} | Address Valid to Chip Enable High | Min | 60 | ns |
| t_{AVEL} | Address valid to Chip Enable Low | Min | 0 | ns |
| t_{AVWH} | Address Valid to Write Enable High | Min | 60 | ns |
| t_{AVWL} | Address Valid to Write Enable Low | Min | 0 | ns |
| t_{DVEH} | Input Valid to Chip Enable High | Min | 30 | ns |
| t_{DVWH} | Input Valid to Write Enable High | Min | 30 | ns |
| t_{EHAX} | Chip Enable High to Address Transition | Min | 0 | ns |
| t_{EHDX} | Chip enable High to Input Transition | Min | 0 | ns |
| t_{ELEH} | Chip Enable Low to Chip Enable High | Min | 60 | ns |
| t_{ELWH} | Chip Enable Low to Write Enable High | Min | 60 | ns |
| t_{WHAX} | Write Enable High to Address Transition | Min | 0 | ns |
| t_{WHDX} | Write Enable High to Input Transition | Min | 0 | ns |
| $t_{WHQX}^{(1)}$ | Write Enable High to Output Transition | Min | 5 | ns |
| t_{WLEH} | Write Enable Low to Chip Enable High | Min | 60 | ns |
| $t_{WLQZ}^{(1,2)}$ | Write Enable Low to Output Hi-Z | Max | 25 | ns |
| t_{WLWH} | Write Enable Low to Write Enable High | Min | 60 | ns |

Note: 1. At any given temperature and voltage condition, t_{WLQZ} is less than t_{WHQX} for any given device.

2. These parameters are defined as the time at which the outputs achieve the open circuit conditions and are not referenced to output voltage levels.

Figure 14. Low V_{CC} Data Retention AC Waveforms

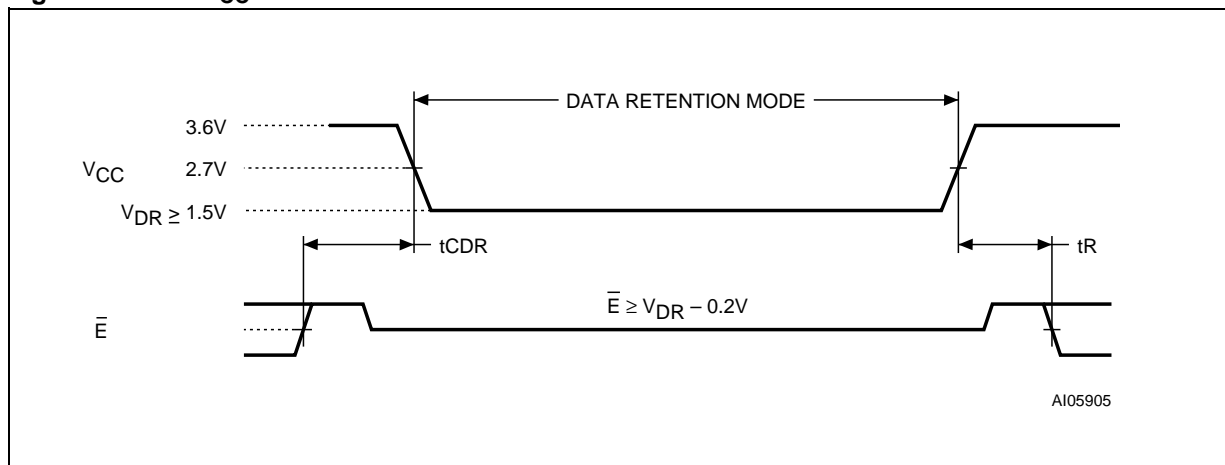


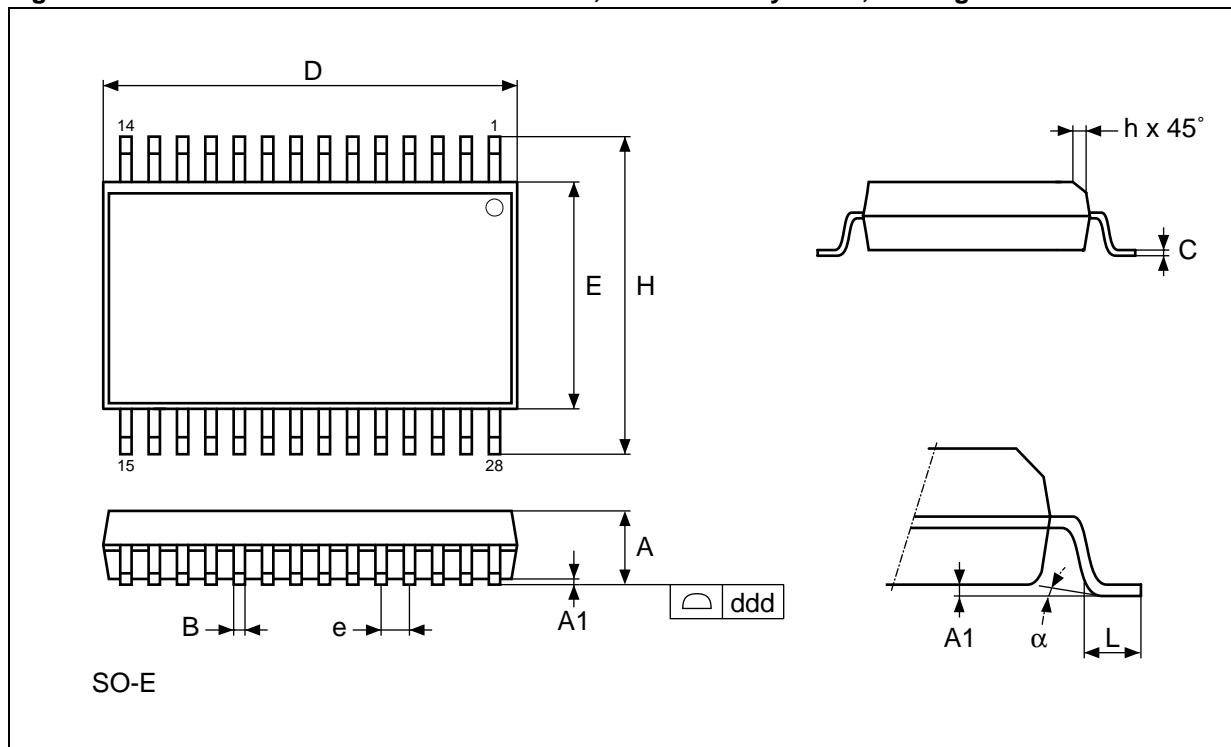
Table 9. Low V_{CC} Data Retention Characteristics

| Symbol | Parameter | Test Condition | Min | Typ | Max | Unit |
|-----------------------------------|--|---|-------------------|-----|-----|------|
| I _{CCDR} ⁽¹⁾ | Supply Current (Data Retention) | V _{CC} = 1.5V, $\bar{E} \geq V_{CC} - 0.2V$, f = 0 ⁽³⁾ | | | 6 | μA |
| t _{CDR} ^(1,2) | Chip Deselected to Data Retention Time | | 0 | | | ns |
| t _R ⁽²⁾ | Operation Recovery Time | | t _{AVAV} | | | ns |
| V _{DR} ⁽¹⁾ | Supply Voltage (Data Retention) | $\bar{E} \geq V_{CC} - 0.2V$, f = 0 | 1.5 | | | V |

Note: 1. All other Inputs at V_{IH} ≥ V_{CC} - 0.2V or V_{IL} ≤ 0.2V.
 2. Tested initially and after any design or process changes that may affect these parameters. t_{AVAV} is Read cycle time.
 3. No input may exceed V_{CC} + 0.2V.

PACKAGE MECHANICAL

Figure 15. SO28 - 28 lead Plastic Small Outline, 300 mils body width, Package Outline

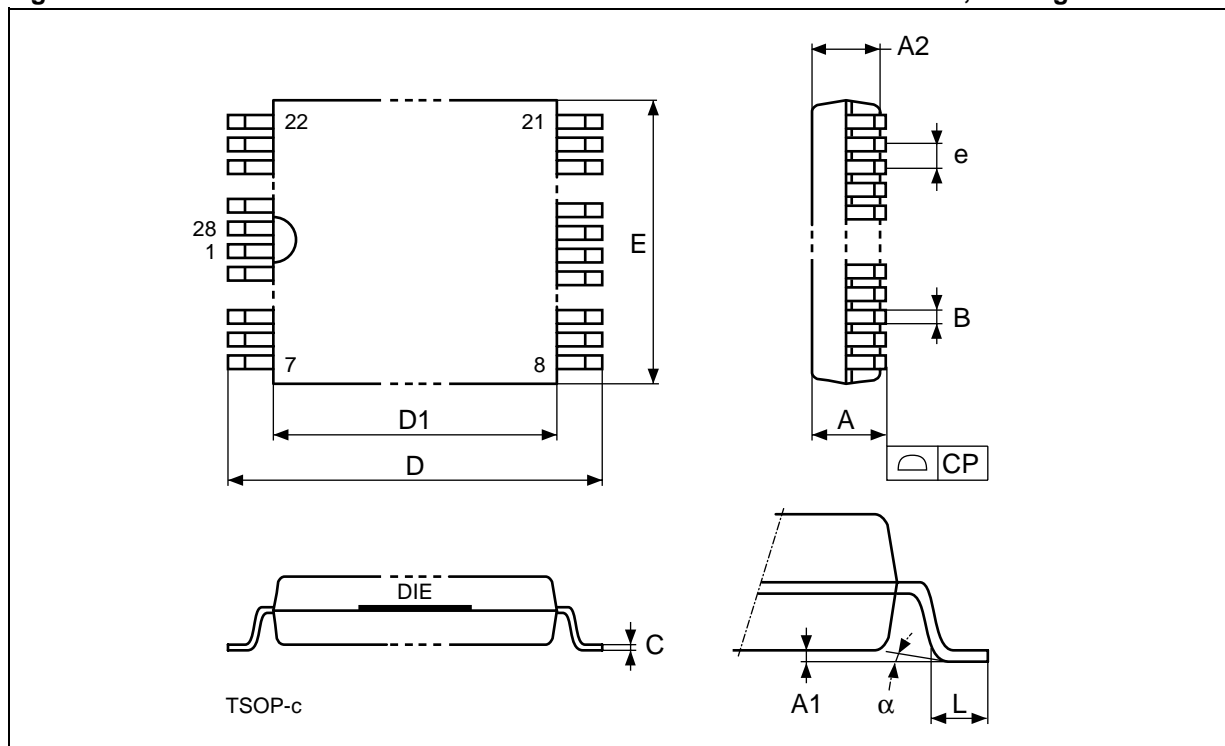


Note: Drawing is not to scale.

Table 10. SO28 - 28 lead Plastic Small Outline, 300 mils body width, Package Mechanical Data

| Symbol | millimeters | | | inches | | |
|--------|-------------|-------|-------|--------|-------|-------|
| | Typ | Min | Max | Typ | Min | Max |
| A | | 2.38 | 2.79 | | 0.094 | 0.110 |
| A1 | | 0.05 | 0.35 | | 0.002 | 0.014 |
| A2 | | 2.28 | 2.43 | | 0.090 | 0.096 |
| B | | 0.35 | 0.50 | | 0.014 | 0.020 |
| C | | 0.20 | 0.30 | | 0.008 | 0.012 |
| D | | 18.03 | 18.41 | | 0.710 | 0.725 |
| ddd | | | 0.10 | | | 0.004 |
| E | | 7.39 | 7.62 | | 0.291 | 0.300 |
| e | 1.27 | – | – | 0.050 | – | – |
| H | | 11.68 | 12.19 | | 0.460 | 0.480 |
| L | | 0.79 | 1.27 | | 0.031 | 0.050 |
| α | | 0° | 8° | | 0° | 8° |
| N | | 28 | | | 28 | |

Figure 16. TSOP28 - 28 lead Normal and Reverse Pinout Plastic Small Outline, Package Outline



Note: Drawing is not to scale.

Table 11. TSOP28 - 28 lead Normal and Reverse Pinout Plastic Small Outline, Package Mechanical Data

| Symbol | millimeters | | | inches | | |
|--------|-------------|--------|--------|--------|--------|--------|
| | Typ | Min | Max | Typ | Min | Max |
| A | | | 1.250 | | | 0.0492 |
| A1 | | | 0.200 | | | 0.0079 |
| A2 | | 0.950 | 1.150 | | 0.0374 | 0.0453 |
| B | | 0.170 | 0.270 | | 0.0067 | 0.0106 |
| C | | 0.100 | 0.210 | | 0.0039 | 0.0083 |
| CP | | | 0.100 | | | 0.0039 |
| D | | 13.200 | 13.600 | | 0.5197 | 0.5354 |
| D1 | | 11.700 | 11.900 | | 0.4606 | 0.4685 |
| E | | 7.900 | 8.100 | | 0.3110 | 0.3189 |
| e | 0.550 | – | – | 0.0217 | – | – |
| L | | 0.500 | 0.700 | | 0.0197 | 0.0276 |
| α | | 0° | 5° | | 0° | 5° |
| N | | 28 | | | 28 | |

PART NUMBERING

Table 12. Ordering Information Scheme

| | | | | | | | |
|---|----------|---|---|----|----|---|---|
| Example: | M68AW031 | A | L | 70 | MS | 6 | U |
| Device Type M68 | | | | | | | |
| Mode A = Asynchronous | | | | | | | |
| Operating Voltage W = 2.7 to 3.6V | | | | | | | |
| Array Organization 031 = 256 Kbit (32K x8) | | | | | | | |
| Option 1 A = 1 Chip Enable | | | | | | | |
| Option 2 L = L-Die M = M-Die | | | | | | | |
| Speed Class 70 = 70 ns | | | | | | | |
| Package MS = SO28 N = TSOP28 8x13.4mm NS = TSOP28 8x13.4mm (Reverse Pinout) | | | | | | | |
| Operative Temperature 6 = -40 to 85 °C | | | | | | | |
| Shipping U = Tube | | | | | | | |

For a list of available options (Speed, Package, etc...) or for further information on any aspect of this device, please contact the STMicroelectronics Sales Office nearest to you.

REVISION HISTORY**Table 13. Document Revision History**

| Date | Version | Revision Details |
|--------------|----------------|--|
| January 2002 | 1.0 | First Issue |
| 07-Feb-2002 | 2.0 | TSOP28 Package Order Code clarified |
| 08-Feb-2002 | 3.0 | AC Measurement Load Circuit clarified (Figure 8) |
| 06-Mar-2002 | 4.0 | Document status changed to Data Sheet |
| 20-May-2002 | 5.0 | Absolute Maximum Ratings table clarified (Table 2) Operating and AC Measurement Conditions table clarified (Table 3) DC Characteristics table clarified (Table 5) Low V_{CC} Data Retention AC Waveforms and Characteristics table clarified (Figure 14, Table 3) |
| 01-Jun-2002 | 6.0 | TSOP28 8x13.4mm Standard pinout added (Figure 5, Table 12) Block Diagram clarified (Figure 6) T_A clarified in Absolute Maximum Ratings (Table 2) Operating and AC Measurement Conditions table clarified (Table 3) I_{CC2} Max added in DC Characteristics (Table 5) t_{PD} , t_{PU} clarified in Read and Standby Mode AC Characteristics (Table 7) t_{WLEH} , t_{WLWH} clarified in Write Mode AC Characteristics (Table 8) |
| 09-Sep-2002 | 6.1 | Load Capacitance (C_L) changed from 100pF to 30pF (Table 3) |
| 02-Oct-2002 | 6.2 | New part number added. |
| 09-Oct-2002 | 6.3 | Part number modified. |

Information furnished is believed to be accurate and reliable. However, STMicroelectronics assumes no responsibility for the consequences of use of such information nor for any infringement of patents or other rights of third parties which may result from its use. No license is granted by implication or otherwise under any patent or patent rights of STMicroelectronics. Specifications mentioned in this publication are subject to change without notice. This publication supersedes and replaces all information previously supplied. STMicroelectronics products are not authorized for use as critical components in life support devices or systems without express written approval of STMicroelectronics.

The ST logo is registered trademark of STMicroelectronics
All other names are the property of their respective owners.

© 2002 STMicroelectronics - All Rights Reserved

STMicroelectronics GROUP OF COMPANIES

Australia - Brazil - Canada - China - Finland - France - Germany - Hong Kong - India - Israel - Italy - Japan - Malaysia - Malta -
Morocco - Singapore - Spain - Sweden - Switzerland - United Kingdom - United States

www.st.com



This datasheet has been download from:

www.datasheetcatalog.com

Datasheets for electronics components.