



M74HCT7259

8BIT ADDRESSABLE LATCH/DECODER/RELAIS DRIVER (OPEN DRAIN,INVERTING OUTPUT)

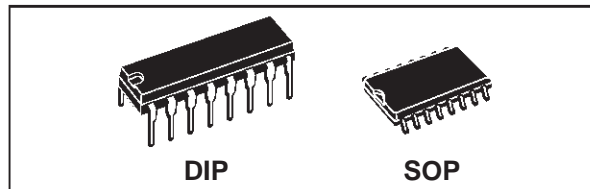
- LOW POWER DISSIPATION
 $I_{CC} = 4 \mu A$ (MAX.) AT $T_A = 25^\circ C$
- COMPATIBLE WITH TTL OUTPUTS
 $V_{IH} = 2V$ (MIN) $V_{IL} = 0.8V$ (MAX) AT 5V
- OUTPUT DRIVE CAPABILITY
 90 LSTTL LOADS
- HIGH CURRENT OPEN DRAIN OUTPUT UP TO 80 mA

The M74HCT7259 is a high speed CMOS 8 BIT ADDRESSABLE LATCH/DECODER fabricated in silicon gate C2MOS technology. It has the same high speed performance of LSTTL combined with true CMOS low power consumption.

The M74HCT7259 has single data input (D) 8 LATCH inverted OUTPUTS ($\overline{Q_0}$ - $\overline{Q_7}$), 3 address inputs (A, B and C), common enable input (\overline{ENABLE}) and a common \overline{CLEAR} input. To operate this device as an addressable latch, data is held on the D input, and the address of the latch into which the data is to be entered is held on the A, B and C inputs.

When \overline{ENABLE} is taken low the data flows through to the address output. The data is stored on the positive-going edge of the \overline{ENABLE} pulse. All unaddressed latches will remain unaffected. With \overline{ENABLE} in the high state the device is deselected and all latches remain in their previous state, unaffected by changes on the

PRELIMINARY DATA

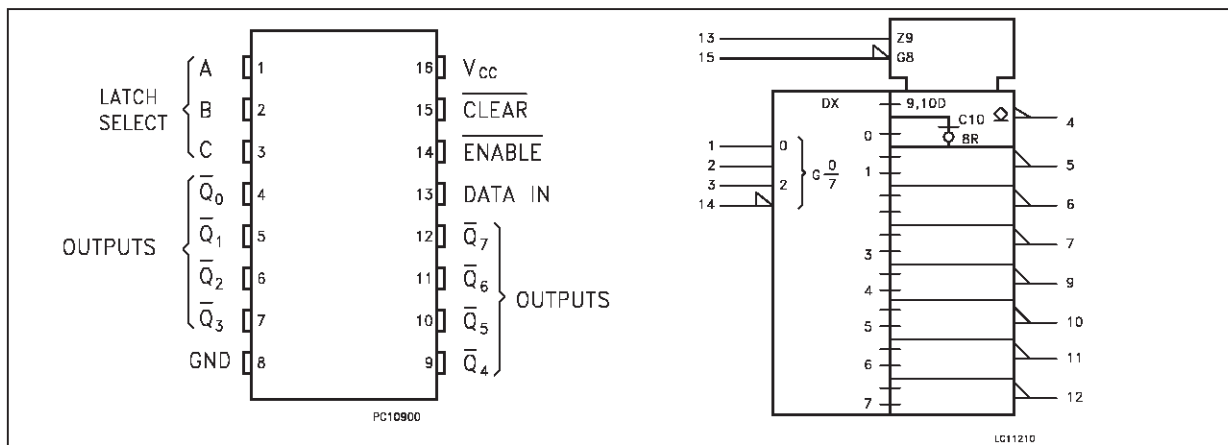


ORDER CODES		
PACKAGE	TUBE	T & R
DIP	M74HCT7259B1R	
SOP	M74HCT7259M1R	M74HCT7259M1RTR

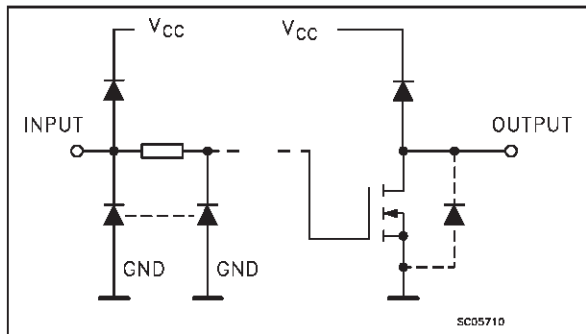
data or address inputs. To eliminate the possibility of entering erroneous data into the latches, the \overline{ENABLE} should be held high (inactive) while the address lines are changing. If \overline{ENABLE} is held high and \overline{CLEAR} is taken low all eight latches are cleared to the HIGH (OFF) state. If \overline{ENABLE} is low all latches except the addressed latch will be cleared. The address latch will instead be the complement of the D input, effectively implementing a 3 to 8 line decoder. Internal clamp diodes protect the open drain outputs against over voltages due to inductive loads.

All inputs are equipped with protection circuits against static discharge and transient excess voltage.

PIN CONNECTION AND IEC LOGIC SYMBOLS



INPUT EQUIVALENT CIRCUIT



PIN DESCRIPTION

PIN No	SYMBOL	NAME AND FUNCTION
1, 2, 3	A, B, C	Latch Select
4, 5, 6, 7, 9, 10, 11, 12	$\overline{Q0}$ to $\overline{Q7}$	latch Outputs
13	DATA IN	Data Inputs
14	$\overline{\text{ENABLE}}$	Latch Enable Input
15	$\overline{\text{CLEAR}}$	Conditional Reset Input
8	GND	Ground (0V)
16	V _{CC}	Positive Supply Voltage

TRUTH TABLE

INPUTS		OUTPUTS OF ADDRESSED LATCH	EACH OTHER OUTPUT	FUNCTION
$\overline{\text{CLEAR}}$	$\overline{\text{ENABLE}}$			
H	L	\overline{D}	Q _{i0}	ADDRESSABLE LATCH
H	H	Q _{i0}	Q _{i0}	MEMORY
L	L	\overline{D}	H	8-LINE DEMULTIPLEXER

SELECT INPUTS			LATCH ADDRESSED
C	B	A	
L	L	L	$\overline{Q0}$
L	L	H	$\overline{Q1}$
L	H	L	$\overline{Q2}$
L	H	H	$\overline{Q3}$
H	L	L	$\overline{Q4}$
H	L	H	$\overline{Q5}$
H	H	L	$\overline{Q6}$
H	H	H	$\overline{Q7}$

D: The level at the data input

Q_{i0}: The level before the indicated steady state input conditions were established, (i = 0, 1, ..., 7).

ABSOLUTE MAXIMUM RATINGS

Symbol	Parameter	Value	Unit
V _{CC}	Supply Voltage	-0.5 to +7.0	V
V _I	DC Input Voltage	-0.5 to V _{CC} + 0.5	V
V _O	DC Output Voltage	-0.5 to V _{CC} + 0.5	V
I _{IK}	DC Input Diode Current	± 20	mA
I _{OK}	DC Output Diode Current	± 20	mA
I _O	DC Output Current Per Pin	100	mA
I _{GND}	Ground Current	- 800	mA
I _{CC}	DC V _{CC} Current	50	mA
P _D	Power Dissipation	500 (*)	mW
T _{stg}	Storage Temperature	-65 to +150	°C
T _L	Lead Temperature (10 sec)	300	°C

Absolute Maximum Ratings are those values beyond which damage to the device may occur. Functional operation under these condition is not implied.

(*) 500 mW: ≅ 65 °C derate to 300 mW by 10mW/°C: 65 °C to 85 °C

RECOMMENDED OPERATING CONDITIONS

Symbol	Parameter	Value	Unit
V _{CC}	Supply Voltage	3.3 to 5.5	V
V _I	Input Voltage	0 to V _{CC}	V
V _O	Output Voltage	0 to V _{CC}	V
T _{op}	Operating Temperature	-40 to +85	°C
dt/dv	Input Rise and Fall Time	0 to 500	ns

DC SPECIFICATIONS

Symbol	Parameter	Test Conditions	Value					Unit	
			V _{CC} (V)	T _A = 25 °C			-40 to 85 °C		
				Min.	Typ.	Max.	Min.		Max.
V _{IH}	High Level Input Voltage	3.3 ^(*)	2.0			2.0		V	
			4.5 to 5.5	2.0			2.0		
V _{IL}	Low Level Input Voltage	3.3 ^(*)			0.5		0.5	V	
			4.5 to 5.5			0.8			0.8
V _{OL}	Low Level Output Voltage	3.3 ^(*)	I _O = 70 mA		0.4	0.5		0.6	V
			I _O = 20 μA		0.0	0.1		0.1	
		4.5	I _O = 36 mA		0.17	0.26		0.33	
			I _O = 80 mA		0.32	0.40		0.50	
I _{OZ}	Output Leakage Current	5.5	V _I = V _{IH} or V _{IL} V _O = V _{CC} or GND			±5		±50	μA
I _{IN}	Input Leakage Current	5.5	V _I = V _{CC} or GND			±0.1		±1	μA
I _{CC}	Quiescent Supply Current	5.5	V _I = V _{CC} or GND			4		40	μA
			Each Input in Turn: V _{IN} = 0.5 V or 2.4 V All Other Inputs: V _{CC} or GND			3.0		3.9	mA

(*) Voltage Range is 3.3V ±5%

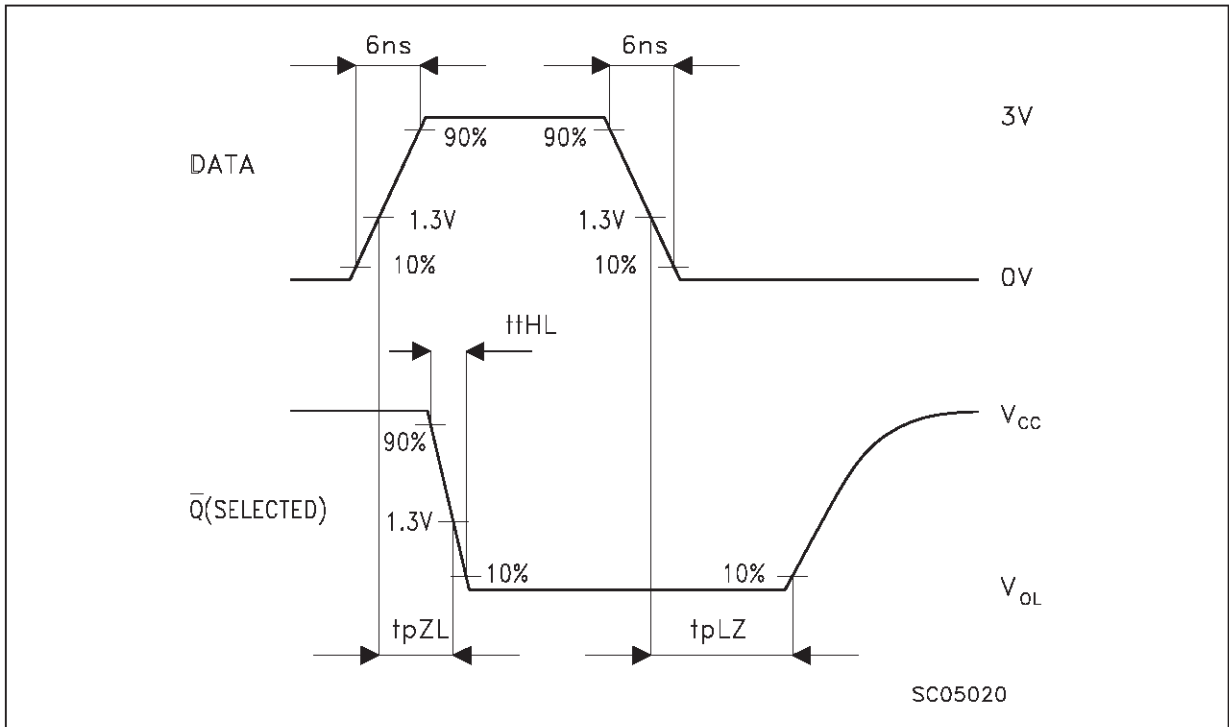
AC ELECTRICAL CHARACTERISTICS ($C_L = 50$ pF, Input $t_r = t_f = 6$ ns)

Symbol	Parameter	Test Conditions			Value					Unit
		V _{CC} (V)	C _L (pF)	R _L (K Ω)	T _A = 25 °C			-40 to 85 °C		
					Min.	Typ.	Max.	Min.	Max.	
t _{TLH}	Output Transition Time	3.3 ^(*)	50	1					18	ns
		4.5	50	1		3	6		9	
t _{PLZ} t _{PZL}	Propagation Delay Time (DATA - \overline{Q})	3.3 ^(*)	50	1					80	ns
		3.3 ^(*)	150	1					92	
		4.5	50	1		20	31		39	
		4.5	150	1		24	37		46	
t _{PLZ} t _{PZL}	Propagation Delay Time (A, B, C - \overline{Q})	3.3 ^(*)	50	1					98	ns
		3.3 ^(*)	150	1					112	
		4.5	50	1		25	39		49	
		4.5	150	1		29	45		56	
t _{PLZ} t _{PZL}	Propagation Delay Time (ENABLE - \overline{Q})	3.3 ^(*)	50	1					82	ns
		3.3 ^(*)	150	1					98	
		4.5	50	1		21	33		41	
		4.5	150	1		25	39		49	
t _{PLZ} t _{PZL}	Propagation Delay Time (CLEAR - \overline{Q})	3.3 ^(*)	50	1					76	ns
		3.3 ^(*)	150	1					90	
		4.5	50	1		19	30		38	
		4.5	150	1		23	36		45	
t _{W(L)}	Minimum Pulse Width ($\overline{\text{CLEAR}}$)	3.3 ^(*)	50	1					38	ns
		4.5	50	1		7	15		19	
t _{W(L)}	Minimum Pulse Width ($\overline{\text{ENABLE}}$)	3.3 ^(*)	50	1					38	ns
		4.5	50	1		7	15		19	
t _s	Minimum Set-Up Time	3.3 ^(*)	50	1					26	ns
		4.5	50	1		4	10		13	
t _h	Minimum Hold Time	3.3 ^(*)	50	1					10	ns
		4.5	50	1			5		5	
C _{IN}	Input Capacitance					5	10		10	pF
C _{PD} (**)	Power Dissipation Capacitance					96				pF

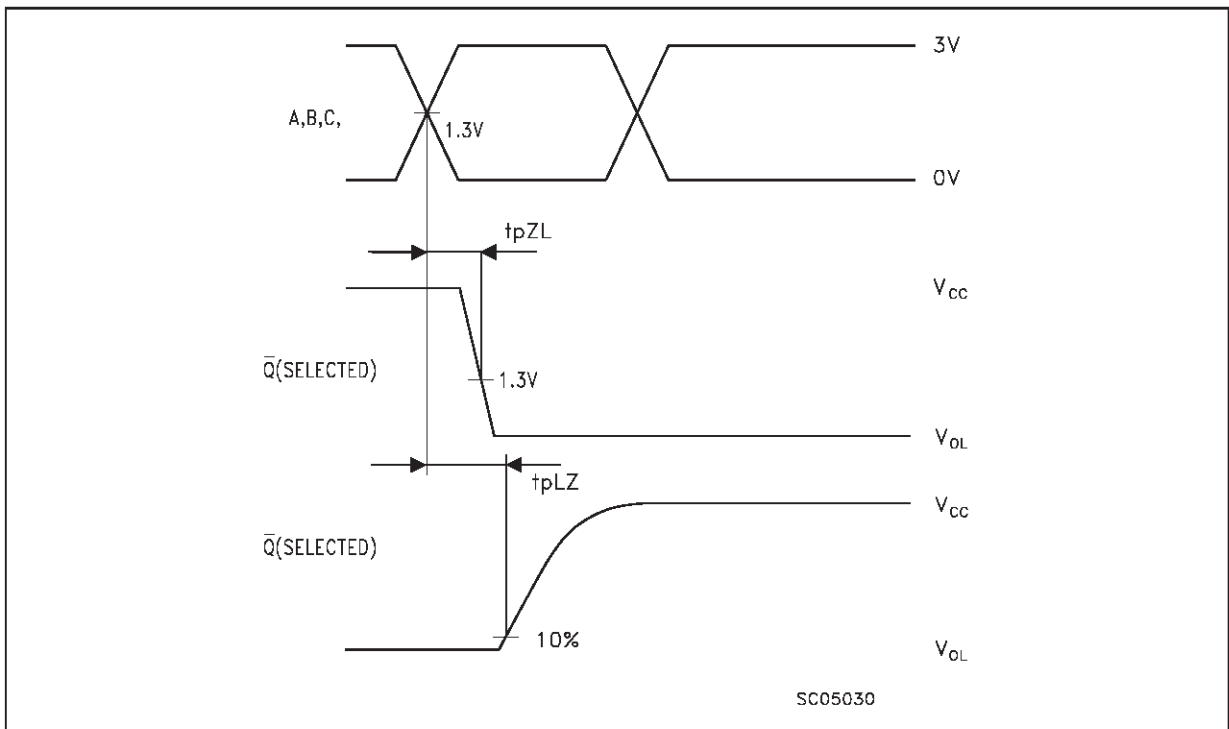
(*) Voltage Range is 3.3V \pm 5%(**) C_{PD} is defined as the value of the IC's internal equivalent capacitance which is calculated from the operating current consumption without load. (Refer to Test Circuit). Average operating current can be obtained by the following equation. $I_{CC(opr)} = C_{PD} \cdot V_{CC} \cdot f_{IN} + I_{CC}$

SWITCHING CHARACTERISTICS TEST WAVEFORMS

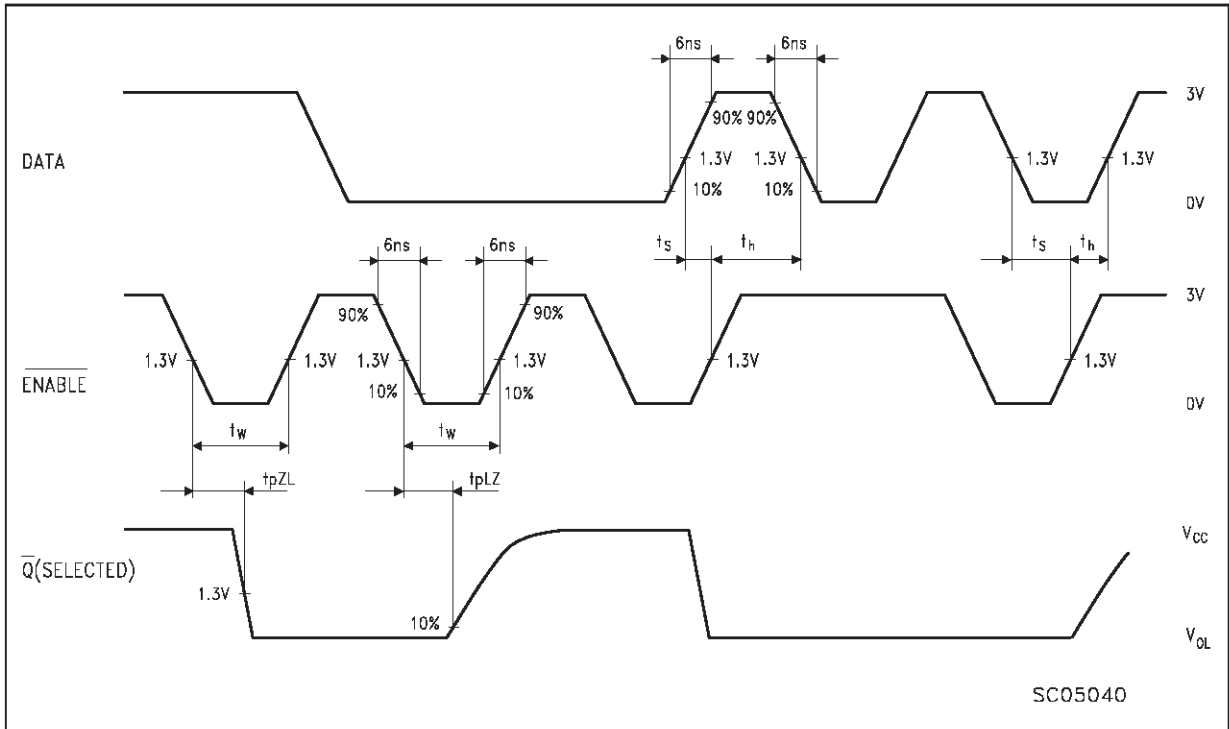
WAVEFORM 1: ($\overline{\text{ENABLE}} = \text{L}$, $\overline{\text{CLR}} = \text{H}$, A-C= STABLE)



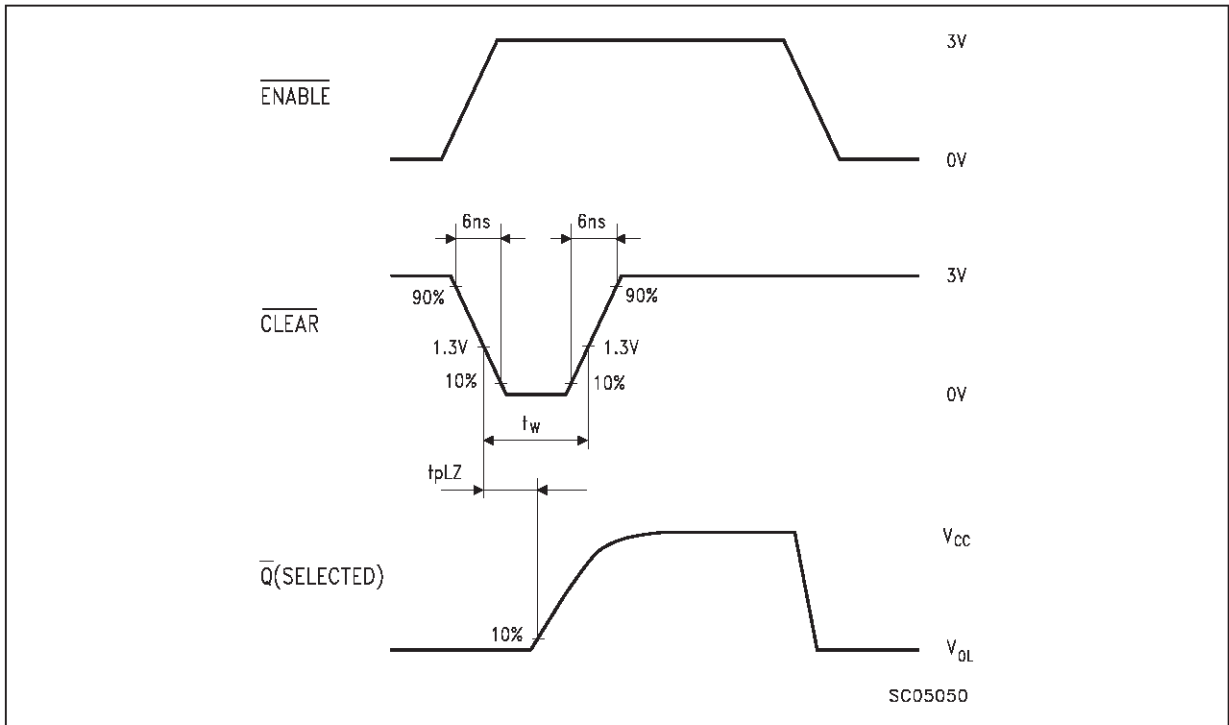
WAVEFORM 2: ($\overline{\text{ENABLE}} = \text{L}$)



WAVEFORM 3: ($\overline{\text{CLR}} = \text{H}$, A-C = STABLE)

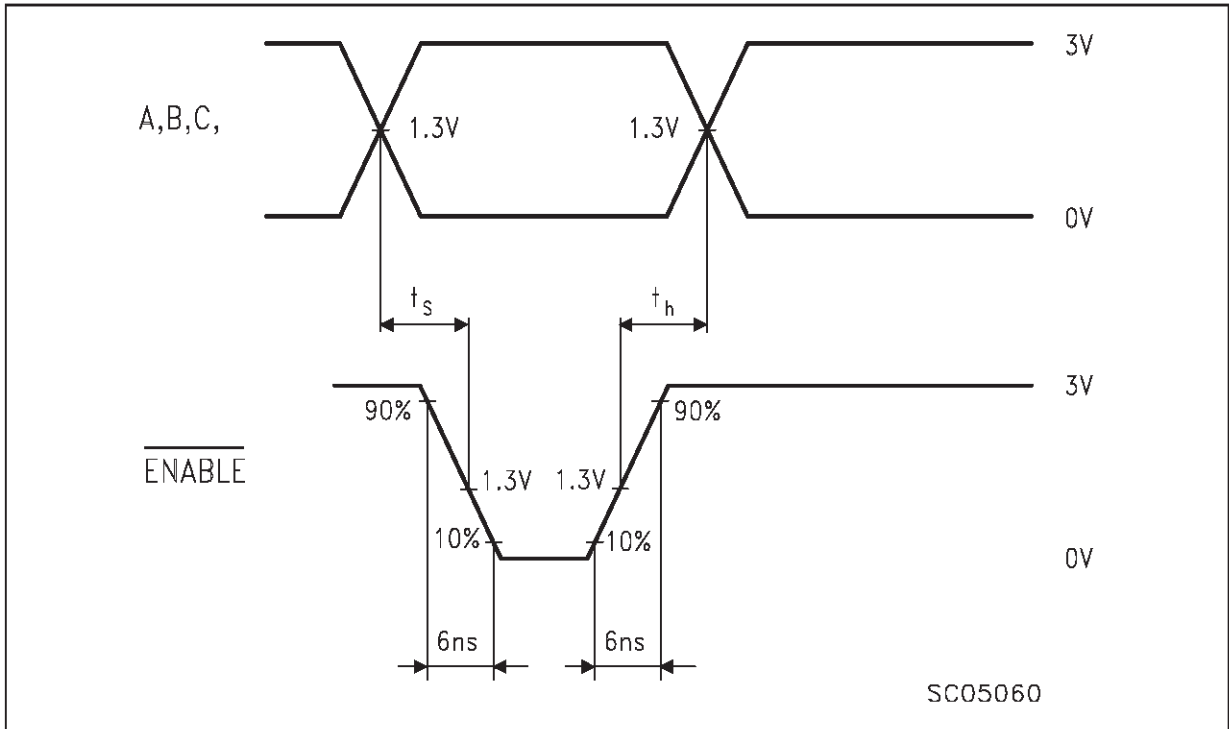


WAVEFORM 4: (D = H, A-C = STABLE)

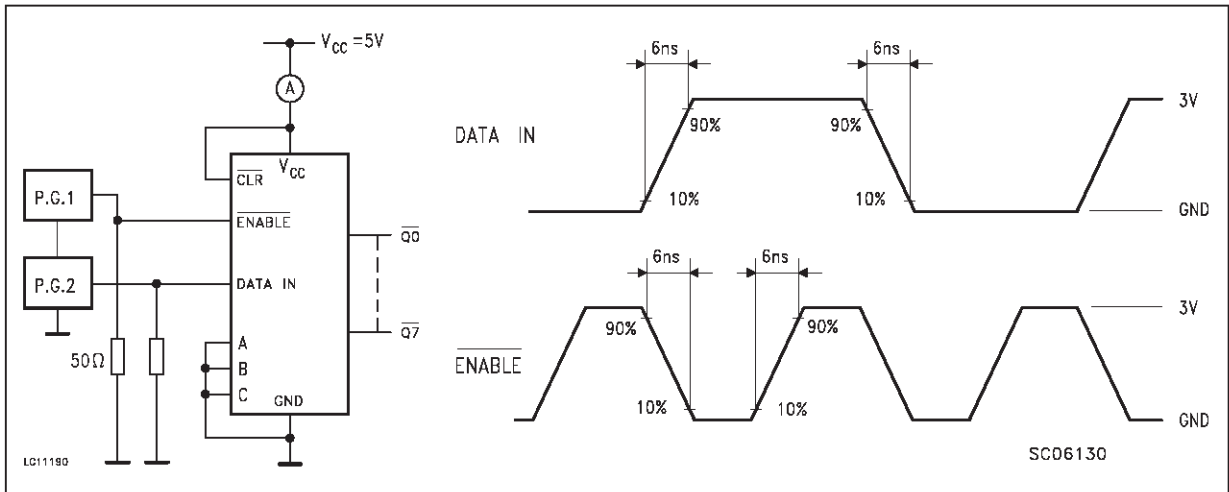


M74HCT7259

WAVEFORM 5: ($\overline{\text{CLR}} = \text{H}$)

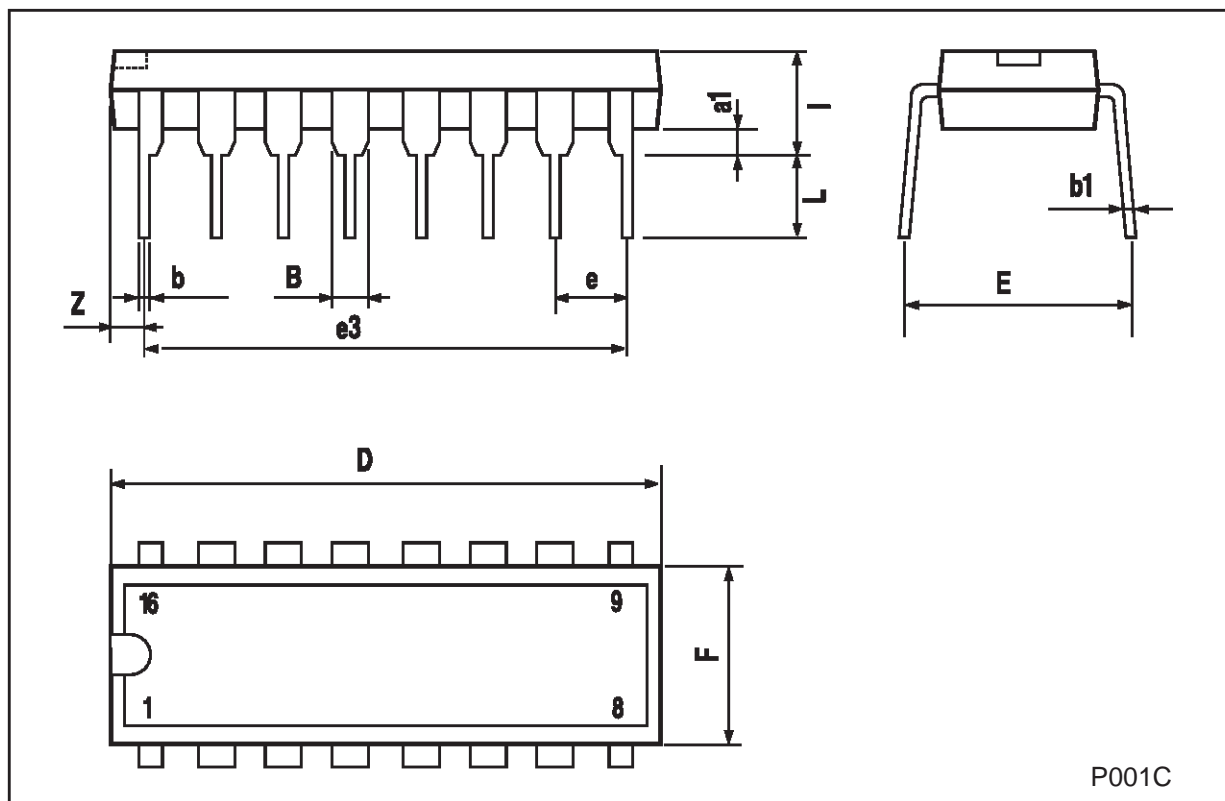


TEST CIRCUIT I_{cc} (Opr.)



Plastic DIP-16 (0.25) MECHANICAL DATA

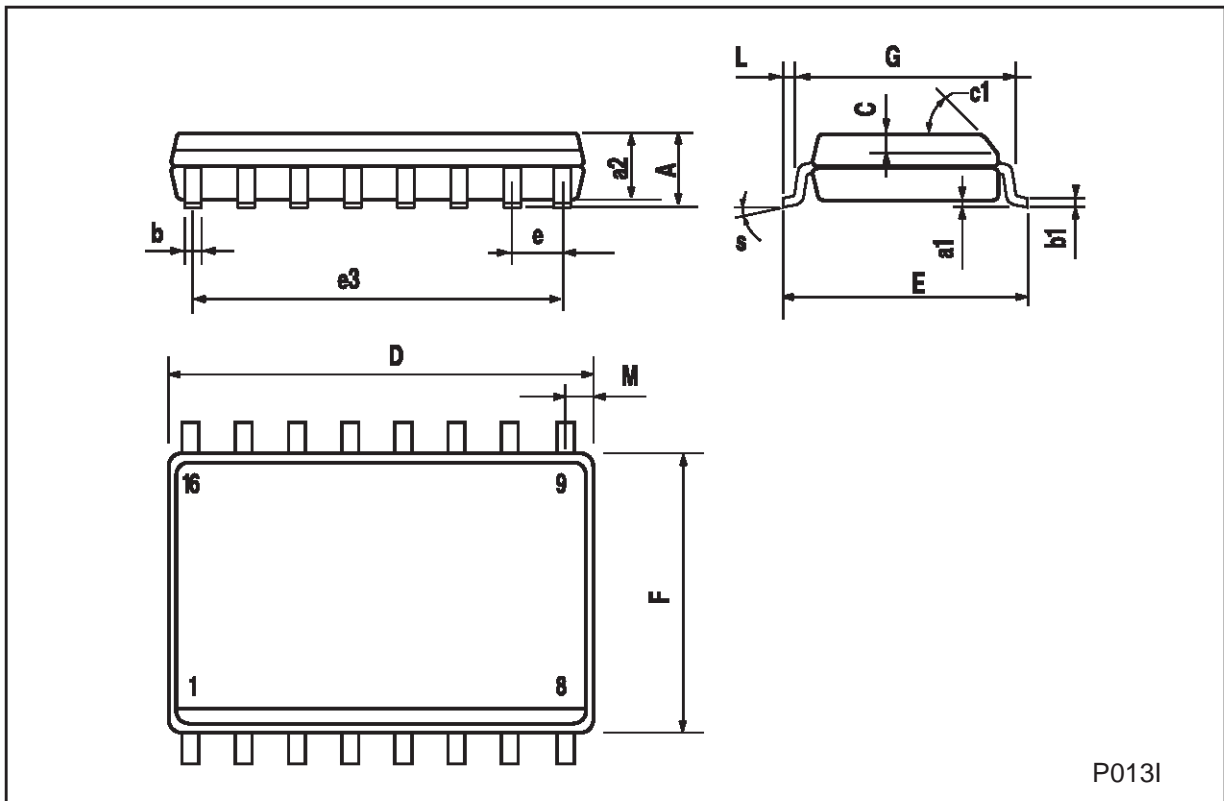
DIM.	mm			inch		
	MIN.	TYP.	MAX.	MIN.	TYP.	MAX.
a1	0.51			0.020		
B	0.77		1.65	0.030		0.065
b		0.5			0.020	
b1		0.25			0.010	
D			20			0.787
E		8.5			0.335	
e		2.54			0.100	
e3		17.78			0.700	
F			7.1			0.280
l			5.1			0.201
L		3.3			0.130	
Z			1.27			0.050



P001C

SO16L MECHANICAL DATA

DIM.	mm			inch		
	MIN.	TYP.	MAX.	MIN.	TYP.	MAX.
A			2.65			0.104
a1	0.1		0.2	0.004		0.008
a2			2.45			0.096
b	0.35		0.49	0.014		0.019
b1	0.23		0.32	0.009		0.012
C		0.5			0.020	
c1	45 (typ.)					
D	10.1		10.5	0.397		0.413
E	10.0		10.65	0.3.93		0.419
e		1.27			0.050	
e3		8.89			0.350	
F	7.4		7.6	0.291		0.300
L	0.5		1.27	0.020		0.050
M			0.75			0.029
S	8 (max.)					



P013I

Information furnished is believed to be accurate and reliable. However, STMicroelectronics assumes no responsibility for the consequences of use of such information nor for any infringement of patents or other rights of third parties which may result from its use. No license is granted by implication or otherwise under any patent or patent rights of STMicroelectronics. Specification mentioned in this publication are subject to change without notice. This publication supersedes and replaces all information previously supplied. STMicroelectronics products are not authorized for use as critical components in life support devices or systems without express written approval of STMicroelectronics.

The ST logo is a registered trademark of STMicroelectronics

© 2000 STMicroelectronics – Printed in Italy – All Rights Reserved

STMicroelectronics GROUP OF COMPANIES

Australia - Brazil - China - Finland - France - Germany - Hong Kong - India - Italy - Japan - Malaysia - Malta - Morocco
Singapore - Spain - Sweden - Switzerland - United Kingdom - U.S.A.

<http://www.st.com>