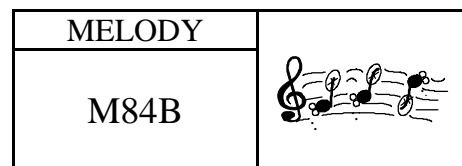




PIANO / MANDOLIN
1-KEY-1-NOTE

8 首歌, 步进音乐 IC



FEATURES 功能叙述

• Playing mode:

SEL : Tunes select.

DEMO : To demo the song selected.

TG : One-key-one-note trigger.

MAN : Piano / mandolin exchange.

| M84B-1 | M84B-2 | M84B-3 |
|---------------------|------------------|--------|
| 1. OLD MAN | LOVE STORY | 女人是老虎 |
| 2. DID YOU EVER | LOVE ME TENDER | 东方之珠 |
| 3. A LITTLE LAMB | HOLIDAYS | 涛声依旧 |
| 4. LITTLE STAR | FOR ALICE | 说句心里话 |
| 5. LONDON BRIDGE | OVER THE RAINBOW | 纤夫之爱 |
| 6. CLOSE ENCOUNTERS | YESTERDAY | 小放牛 |
| 7. HAPPY BIRTHDAY | RED RIVER VALLEY | 把根留住 |
| 8. OH! MY DARLING | YOU ARE SUNSHINE | 青春舞曲 |

APPLICATION 产品应用

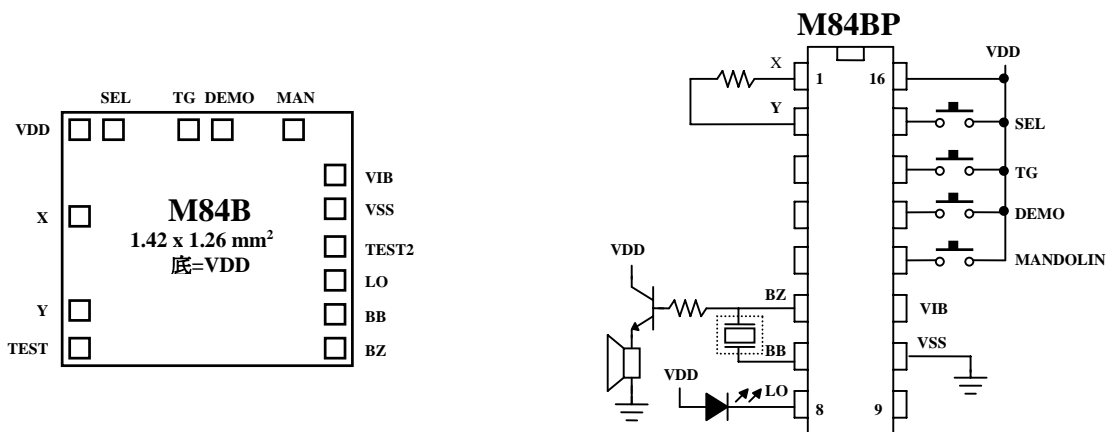
• Toys, Arcade game.

ELECTRICAL CHARACTERISTICS 电气规格

(@V_{DD}=3V unless otherwise specified)

| Characteristics | Sym. | Min. | Typ. | Max. | Unit | REMARKS |
|----------------------------|------------------|------|------|------|------|----------------------------|
| 工作电压 Operating Voltage | V _{DD} | — | 3 | 3.5 | V | |
| 工作电流 Operating Current | I _{OP} | — | 0.1 | 0.5 | mA | No load |
| 静态电流 Quiescent Current | I _{SB} | — | 1 | 5 | μA | |
| 推动电流 BZ Driving Current | I _O | 1 | — | — | mA | @V _{DS} =1V |
| 推动电流 LO Driving Current | I _{OL} | 6 | — | — | mA | @V _{DS} =1.2V |
| 振荡频率 Oscillator Frequency | F _{OSC} | — | 100 | — | KHz | External ±30%, Rosc=270K Ω |
| 工作温度 Operating Temperature | Temp. | 0 | 25 | 60 | °C | |

APPLICATION DIAGRAM 参考电路图



*All specs and applications shown above subject to change without prior notice.

(以上电路及规格仅供参考, 本公司得径行修正)