

---

**Single-Phase High-Performance Wide-Span  
Energy Metering IC**

---

**DATASHEET****FEATURES****Metering Features**

- Metering features fully in compliance with the requirements of IEC62052-11, IEC62053-21 and IEC62053-23; applicable in class 1 or class 2 single-phase watt-hour meter or class 2 single-phase var-hour meter.
- Accuracy of 0.1% for active energy and 0.2% for reactive energy over a dynamic range of 5000:1.
- Temperature coefficient is 15 ppm/ °C (typical) for on-chip reference voltage
- Single-point calibration over a dynamic range of 5000:1 for active energy; no calibration needed for reactive energy.
- Energy Meter Constant doubling at low current to save verification time.
- Electrical parameters measurement: less than  $\pm 0.5\%$  fiducial error for  $V_{rms}$ ,  $I_{rms}$ , mean active/ reactive/ apparent power, frequency, power factor and phase angle.
- Forward/ reverse active/ reactive energy with independent energy registers. Active/ reactive energy can be output by pulse or read through energy registers to adapt to different applications.
- Programmable startup and no-load power threshold.
- Dedicated ADC and different gains for L line and N line current sampling circuits. Current sampled over shunt resistor or current transformer (CT); voltage sampled over resistor divider network or potential transformer (PT).
- Programmable L line and N line metering modes: anti-tampering mode (larger power), L line mode (fixed L line), L+N mode (applicable for single-phase three-wire system) and flexible mode (configure through register).
- Programmable L line and N line power difference threshold in anti-tampering mode.

**Other Features**

- 3.3V single power supply. Operating voltage range: 2.8~3.6V. Metering accuracy guaranteed within 3.0V~3.6V. 5V compatible for digital input.
- Built-in hysteresis for power-on reset.
- Selectable UART interface and SPI interface (four-wire SPI interface or simplified three-wire SPI interface with fixed 24 cycles for all registers operation).
- Parameter diagnosis function and programmable interrupt output of the IRQ interrupt signal and the WarnOut signal.
- Programmable voltage sag detection and zero-crossing output.
- Channel input range
  - Voltage channel (when gain is '1'): 120 $\mu$ V $_{rms}$ ~600mV $_{rms}$ .
  - L line current channel (when gain is '24'): 5 $\mu$ V $_{rms}$ ~25mV $_{rms}$ .
  - N line current channel (when gain is '1'): 120 $\mu$ V $_{rms}$ ~600mV $_{rms}$ .
- Programmable L line current gain: 1, 4, 8, 16, 24; Programmable N line gain: 1, 2, 4.
- Support L line and N line offset compensation.
- CF1 and CF2 output active and reactive energy pulses respectively which can be used for calibration or energy accumulation.
- Crystal oscillator frequency: 8.192 MHz.

- Green SSOP28 package.
- Operating temperature: -40 °C ~ +85 °C .

## APPLICATION

The M90E26 is used for active and reactive energy metering for single-phase two-wire (1P2W), single-phase three-wire (1P3W) or anti-tampering energy meters. With the measurement function, the M90E26 can also be used in power instruments which need to measure voltage, current, etc.

## DESCRIPTION

The M90E26 is a high-performance wide-span energy metering chip. The ADC and DSP technology ensure the chip's long-term stability over variations in grid and ambient environmental conditions.

## BLOCK DIAGRAM

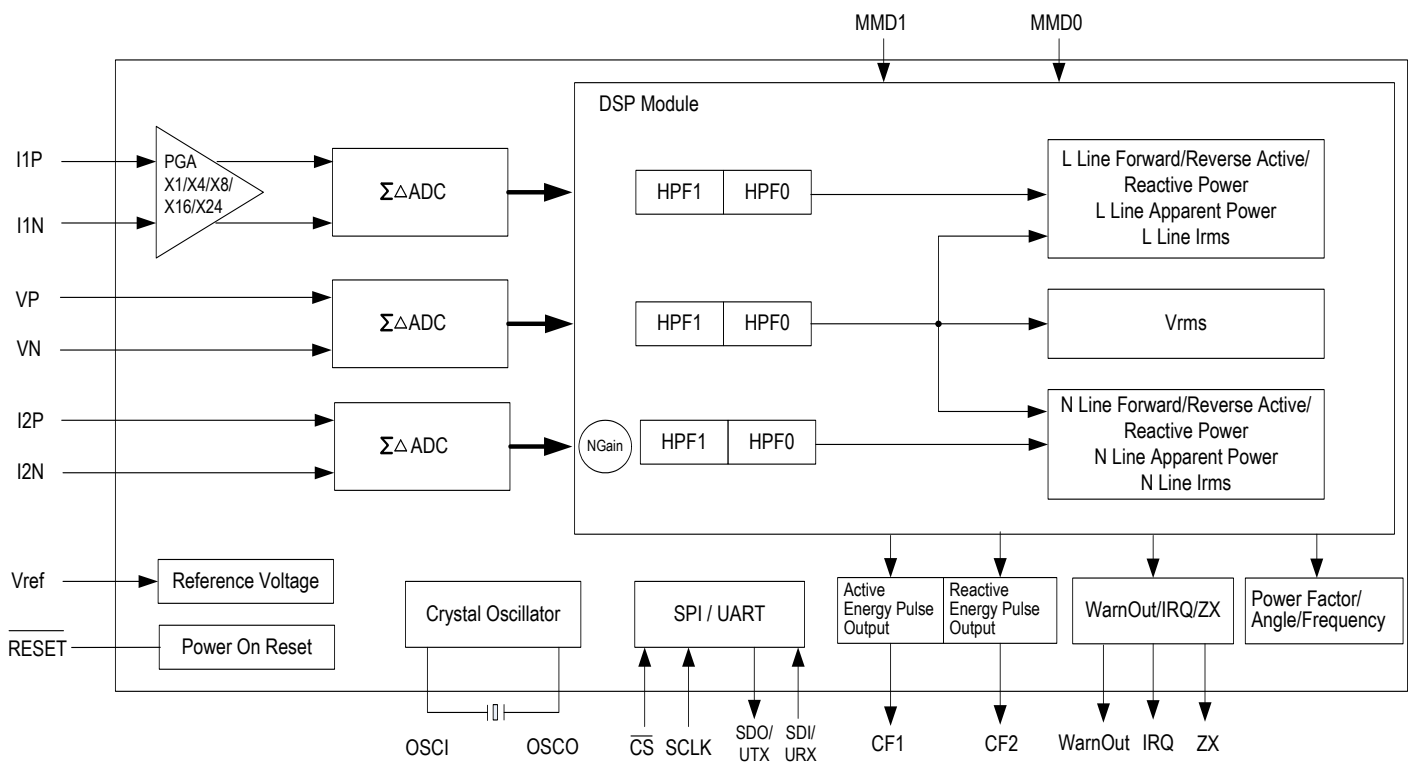


Figure-1 M90E26 Block Diagram

## Table of Contents

---

<b>Features</b> .....	<b>1</b>
<b>Application</b> .....	<b>2</b>
<b>Description</b> .....	<b>2</b>
<b>Block Diagram</b> .....	<b>2</b>
<b>1 Pin Assignment</b> .....	<b>7</b>
<b>2 Pin Description</b> .....	<b>8</b>
<b>3 Functional Description</b> .....	<b>10</b>
3.1 Dynamic Metering Range .....	10
3.2 Startup and No-Load Power .....	10
3.3 Energy Registers .....	11
3.4 N Line Metering and Anti-Tampering .....	12
3.4.1 Metering Mode and L/N Line Current Sampling Gain Configuration .....	12
3.4.2 Anti-Tampering Mode .....	12
3.5 Measurement and Zero-Crossing .....	13
3.5.1 Measurement .....	13
3.5.2 Zero-Crossing .....	13
3.6 Calibration .....	14
3.7 Reset .....	14
<b>4 Interface</b> .....	<b>15</b>
4.1 SPI Interface .....	15
4.1.1 Four-Wire Mode .....	15
4.1.2 Three-Wire Mode .....	16
4.1.3 Timeout and Protection .....	17
4.2 UART Interface .....	18
4.2.1 Byte Level Timing .....	18
4.2.2 Write Transaction .....	18
4.2.3 Read transaction .....	19
4.2.4 Checksum .....	19
4.3 WarnOut Pin for Fatal Error Warning .....	20
4.4 Low Cost Implementation in Isolation with MCU .....	20
<b>5 Register</b> .....	<b>21</b>
5.1 Register List .....	21
5.2 Status and Special Register .....	22
5.3 Metering/ Measurement Calibration and Configuration .....	26
5.3.1 Metering Calibration and Configuration Register .....	26
5.3.2 Measurement Calibration Register .....	34
5.4 Energy Register .....	39
5.5 Measurement Register .....	44

**6 Electrical Specification ..... 51**  
6.1 Electrical Specification ..... 51  
6.2 SPI Interface Timing ..... 53  
6.3 Power On Reset Timing ..... 54  
6.4 Zero-Crossing Timing ..... 55  
6.5 Voltage Sag Timing ..... 55  
6.6 Pulse Output ..... 56  
6.7 Absolute Maximum Rating ..... 56  
**Ordering Information..... 57**  
**Packaging Drawings..... 58**  
**Revision History ..... 59**

## List of Tables

---

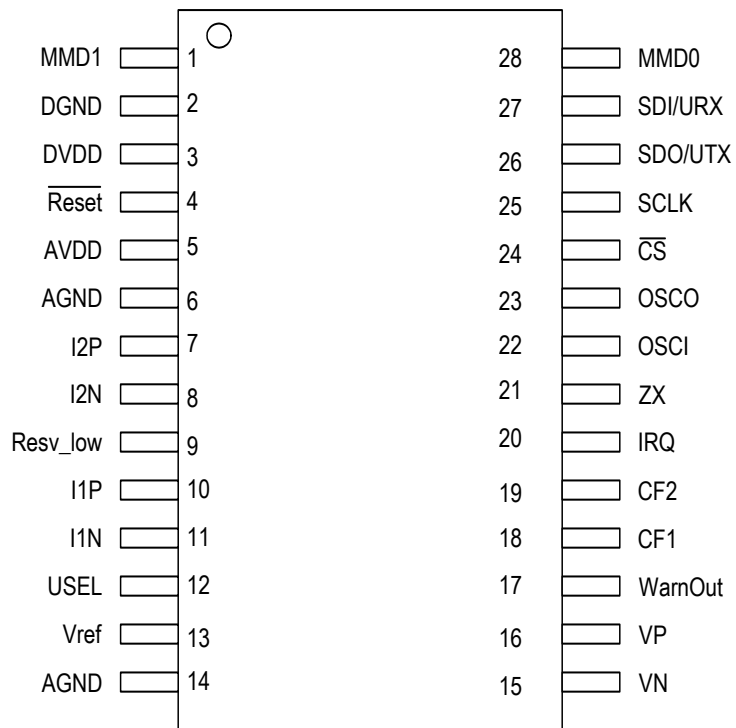
Table-1	Pin Description .....	8
Table-2	Active Energy Metering Error .....	10
Table-3	Reactive Energy Metering Error .....	10
Table-4	Threshold Configuration for Startup and No-Load Power .....	10
Table-5	Energy Registers .....	11
Table-6	Metering Mode .....	12
Table-7	The Measurement Format .....	13
Table-8	Read / Write Result in Four-Wire Mode .....	17
Table-9	Read / Write Result in Three-Wire Mode .....	17
Table-10	Register List .....	21
Table-11	SPI Timing Specification .....	53
Table-12	Power On Reset Specification .....	54
Table-13	Zero-Crossing Specification .....	55
Table-14	Voltage Sag Specification .....	56

## List of Figures

---

Figure-1	M90E26 Block Diagram .....	2
Figure-2	Pin Assignment (Top View) .....	7
Figure-3	Read Sequence in Four-Wire Mode .....	15
Figure-4	Write Sequence in Four-Wire Mode .....	15
Figure-5	Read Sequence in Three-Wire Mode .....	16
Figure-6	Write Sequence in Three-Wire Mode .....	16
Figure-7	UART Byte Level Timing .....	18
Figure-8	Write Transaction .....	18
Figure-9	Read Transaction .....	19
Figure-10	4-Wire SPI Timing Diagram .....	53
Figure-11	3-Wire SPI Timing Diagram .....	53
Figure-12	Power On Reset Timing Diagram .....	54
Figure-13	Zero-Crossing Timing Diagram .....	55
Figure-14	Voltage Sag Timing Diagram .....	55
Figure-15	Output Pulse Width .....	56

# 1 PIN ASSIGNMENT



*Figure-2 Pin Assignment (Top View)*

## 2 PIN DESCRIPTION

Table-1 Pin Description

Name	Pin No.	I/O <sup>note 1</sup>	Type	Description
$\overline{\text{Reset}}$	4	I	LVTTL	<b>Reset: Reset Pin (active low)</b> This pin should connect to ground through a 0.1 $\mu$ F filter capacitor. In application it can also directly connect to one output pin from microcontroller (MCU).
DVDD	3	I	Power	<b>DVDD: Digital Power Supply</b> This pin provides power supply to the digital part. It should be decoupled with a 10 $\mu$ F electrolytic capacitor and a 0.1 $\mu$ F capacitor.
DGND	2	I	Power	<b>DGND: Digital Ground</b>
AVDD	5	I	Power	<b>AVDD: Analog Power Supply</b> This pin provides power supply to the analog part. It should be decoupled with a 0.1 $\mu$ F capacitor.
Vref	13	O	Analog	<b>Vref: Output Pin for Reference Voltage</b> This pin should be decoupled with a 1 $\mu$ F capacitor and a 1nF capacitor.
AGND	6, 14	I	Power	<b>AGND: Analog Ground</b>
I1P I1N	10 11	I	Analog	<b>I1P: Positive Input for L Line Current</b> <b>I1N: Negative Input for L Line Current</b> These pins are differential inputs for L line current. Input range is 5 $\mu$ Vrms~25mVrms when gain is '24'.
I2P I2N	7 8	I	Analog	<b>I2P: Positive Input for N Line Current</b> <b>I2N: Negative Input for N Line Current</b> These pins are differential inputs for N line current. Input range is 120 $\mu$ Vrms~600mVrms when gain is '1'.
VP VN	16 15	I	Analog	<b>VP: Positive Input for Voltage</b> <b>VN: Negative Input for Voltage</b> These pins are differential inputs for voltage. Input range is 120 $\mu$ Vrms~600mVrms.
USEL	12	I	LVTTL	<b>USEL: UART/SPI Interface Selection</b> High: UART interface Low: SPI interface  <b>Note:</b> This pin should not change after reset.
$\overline{\text{CS}}$	24	I	LVTTL	<b><math>\overline{\text{CS}}</math>: Chip Select (Active Low) of SPI</b> In 4-wire SPI mode, this pin must be driven from high to low for each read/write operation, and maintain low for the entire operation. In 3-wire SPI mode, this pin must be low all the time. Refer to section 4.1.  In UART interface, this pin should be connected to VDD.
SCLK	25	I	LVTTL	<b>SCLK: Serial Clock of SPI</b> This pin is used as the clock for the SPI interface. Data on SDI is shifted into the chip on the rising edge of SCLK while data on SDO is shifted out of the chip on the falling edge of SCLK.  In UART interface, this pin should be connected to ground.



Table-1 Pin Description (Continued)

Name	Pin No.	I/O <sup>note 1</sup>	Type	Description
SDO/UTX	26	OZ	LVTTTL	<p><b>SDO: Serial Data Output of SPI</b> This pin is used as the data output for the SPI interface. Data on this pin is shifted out of the chip on the falling edge of SCLK.</p> <p><b>UTX: UART Data Transmit</b> This pin is used to transmit data for the UART interface. This pin needs to be pulled up to VDD by a 10kΩ resistor.”</p> <p><b>Note:</b> UART and SPI interface is selected by the USEL pin.</p>
SDI/URX	27	I	LVTTTL	<p><b>SDI: Serial Data Input of SPI</b> This pin is used as the data input for the SPI interface. Address and data on this pin is shifted into the chip on the rising edge of SCLK.</p> <p><b>URX: UART Data Receive</b> This pin is used to receive data for the UART interface.</p> <p><b>Note:</b> UART and SPI interface is selected by the USEL pin.</p>
MMD1 MMD0	1 28	I	LVTTTL	<p><b>MMD1/0: Metering Mode Configuration</b> 00: anti-tampering mode (larger power); 01: L line mode (fixed L line); 10: L+N mode (applicable for single-phase three-wire system); 11: flexible mode (line specified by the LNSel bit (<a href="#">MMode</a>, 2BH))</p>
OSCI	22	I	LVTTTL	<p><b>OSCI: External Crystal Input</b> An 8.192 MHz crystal is connected between OSCI and OSCO. In application, this pin should be connected to ground through a 12pF capacitor.</p>
OSCO	23	O	LVTTTL	<p><b>OSCO: External Crystal Output</b> An 8.192 MHz crystal is connected between OSCI and OSCO. In application, this pin should be connected to ground through a 12pF capacitor.</p>
CF1 CF2	18 19	O	LVTTTL	<p><b>CF1: Active Energy Pulse Output</b> <b>CF2: Reactive Energy Pulse Output</b> These pins output active/reactive energy pulses.</p>
ZX	21	O	LVTTTL	<p><b>ZX: Voltage Zero-Crossing Output</b> This pin is asserted when voltage crosses zero. Zero-crossing mode can be configured to positive zero-crossing, negative zero-crossing or all zero-crossing by the Zxcon[1:0] bits (<a href="#">MMode</a>, 2BH).</p>
IRQ	20	O	LVTTTL	<p><b>IRQ: Interrupt Output</b> This pin is asserted when one or more events in the <a href="#">SysStatus</a> register (01H) occur. It is deasserted when there is no bit set in the <a href="#">SysStatus</a> register (01H).</p>
WarnOut	17	O	LVTTTL	<p><b>WarnOut: Fatal Error Warning</b> This pin is asserted when there is metering parameter calibration error or voltage sag. Refer to section <a href="#">4.3</a>.</p>
Resv_Low	9	I	LVTTTL	<p><b>Reserved</b> For normal operation, these pins should be connected to ground.</p>

### 3 FUNCTIONAL DESCRIPTION

#### 3.1 DYNAMIC METERING RANGE

Accuracy is 0.1% for active energy metering and 0.2% for reactive energy metering over a dynamic range of 5000:1 (typical). Refer to [Table-2](#) and [Table-3](#).

**Table-2 Active Energy Metering Error**

Current	Power Factor	Error (%)
20mA ≤ I < 50mA	1.0	±0.2
50mA ≤ I ≤ 100A		±0.1
50mA ≤ I < 100mA	0.5 (Inductive) 0.8 (Capacitive)	±0.2
100mA ≤ I ≤ 100A		±0.1
Note: Shunt resistor is 250 μΩ or CT ratio is 1000:1 and load resistor is 6Ω.		

**Table-3 Reactive Energy Metering Error**

Current	sinφ (Inductive or Capacitive)	Error (%)
20mA ≤ I < 50mA	1.0	±0.4
50mA ≤ I ≤ 100A		±0.2
50mA ≤ I < 100mA	0.5	±0.4
100mA ≤ I ≤ 100A		±0.2
Note: Shunt resistor is 250 μΩ or CT ratio is 1000:1 and load resistor is 6Ω.		

#### 3.2 STARTUP AND NO-LOAD POWER

Startup and no-load power thresholds are programmable, both for active and reactive power. The related registers are listed in [Table-4](#).

**Table-4 Threshold Configuration for Startup and No-Load Power**

Threshold	Register
Threshold for Active Startup Power	<a href="#">PStartTh</a> , 27H
Threshold for Active No-load Power	<a href="#">PNoITh</a> , 28H
Threshold for Reactive Startup Power	<a href="#">QStartTh</a> , 29H
Threshold for Reactive No-load Power	<a href="#">QNoITh</a> , 2AH

The M90E26 will start within 1.2 times of the theoretical startup time of the configured startup power, if startup power is less than the corresponding power of 20mA when power factor or sinφ is 1.0.

The M90E26 has no-load status bits, the Pnoload/Qnoload bit (EnStatus, 46H). The M90E26 will not output any active pulse (CF1) in active no-load state. The M90E26 will not output any reactive pulse (CF2) in reactive no-load state.

### 3.3 ENERGY REGISTERS

The M90E26 provides energy pulse output CFx (CF1/CF2) which is proportionate to active/reactive energy. Energy is usually accumulated by adding the CFx pulses in system applications. Alternatively, the M90E26 provides energy registers. There are forward (inductive), reverse (capacitive) and absolute energy registers for both active and reactive energy. Refer to [Table-5](#).

**Table-5 Energy Registers**

Energy	Register
Forward Active Energy	<a href="#">APenergy</a> , 40H
Reverse Active Energy	<a href="#">ANenergy</a> , 41H
Absolute Active Energy	<a href="#">ATenergy</a> , 42H
Forward (Inductive) Reactive Energy	<a href="#">RPenergy</a> , 43H
Reverse (Capacitive) Reactive Energy	<a href="#">RNenergy</a> , 44H
Absolute Reactive Energy	<a href="#">RTenergy</a> , 45H

Each energy register is cleared after read. The resolution of energy registers is 0.1CF, i.e. one LSB represents 0.1 energy pulse.

## 3.4 N LINE METERING AND ANTI-TAMPERING

### 3.4.1 METERING MODE AND L/N LINE CURRENT SAMPLING GAIN CONFIGURATION

The M90E26 has two current sampling circuits with N line metering and anti-tampering functions. The MMD1 and MMD0 pins are used to configure the metering mode. Refer to [Table-6](#).

**Table-6 Metering Mode**

MMD1	MMD0	Metering Mode	CFx (CF1 or CF2) Output
0	0	Anti-tampering Mode (larger power)	CFx represents the larger energy line. Refer to section 3.4.2.
0	1	L Line Mode (fixed L line)	CFx represents L line energy all the time.
1	0	L+N Mode (applicable for single-phase three-wire system)	CFx represents the arithmetic sum of L line and N line energy
1	1	Flexible Mode (line specified by the LNSel bit (MMode, 2BH))	CFx represents energy of the specified line.

The M90E26 has two current sampling circuits with different gain configurations. L line gain can be 1, 4, 8, 16 and 24, and N line gain can be 1, 2 and 4. The configuration is made by the MMode register (2BH). Generally L line can be sampled over shunt resistor or CT. N line can be sampled over CT for isolation consideration. Note that Rogowski coil is not supported.

### 3.4.2 ANTI-TAMPERING MODE

#### Threshold

In anti-tampering mode, the power difference threshold between L line and N line can be: 1%, 2%,... 12%, 12.5%, 6.25%, 3.125% and 1.5625%, altogether 16 choices. The configuration is made by the Pthresh[3:0] bits (MMode, 2BH) and the default value is 3.125%. The threshold is applicable for active energy. The metering line of the reactive energy follows that of the active energy.

#### Compare Method

In anti-tampering mode, the compare method is as follows:

If current metering line is L line and

$$\frac{\text{NLine Active Power} - \text{LLine Active Power}}{\text{LLine Active Power}} * 100\% > \text{Threshold}$$

N line is switched as the metering line, otherwise L line keeps as the metering line.

If current metering line is N line and

$$\frac{\text{LLine Active Power} - \text{NLine Active Power}}{\text{NLine Active Power}} * 100\% > \text{Threshold}$$

L line is switched as the metering line, otherwise N line keeps as the metering line.

This method can achieve hysteresis around the threshold automatically. L line is employed after reset by default.

#### Special Treatment at Low Power

When power is low, general factors such as the quantization error or calibration difference between L line and N line might cause the power difference to be exceeded. To ensure L line and N line to start up normally, special treatment as follows is adopted:

The line with higher power is selected as the metering line when both L line and N line power are lower than 8 times of the startup power but higher than the startup power.

## 3.5 MEASUREMENT AND ZERO-CROSSING

### 3.5.1 MEASUREMENT

The M90E26 has the following measurements:

- voltage rms
- current rms (L line/N line)
- mean active power (L line/N line)
- mean reactive power (L line/N line)
- voltage frequency
- power factor (L line/N line)
- phase angle between voltage and current (L line/N line)
- mean apparent power (L line/N line)

The above measurements are all calculated with fiducial error except for frequency. The frequency accuracy is 0.01Hz, and the other measurement accuracy is 0.5%. Fiducial error is calculated as follow:

$$\text{Fiducial\_Error} = \frac{U_{\text{mea}} - U_{\text{real}}}{U_{\text{FV}}} * 100\%$$

Where  $U_{\text{mea}}$  is the measured voltage,  $U_{\text{real}}$  is the actual voltage and  $U_{\text{FV}}$  is the fiducial value.

**Table-7 The Measurement Format**

Measurement	Fiducial Value (FV)	M90E26 Defined Format	Range	Comment
Voltage rms	$U_n$	XXX.XX	0~655.35V	
Current rms <sup>note 1, note 2</sup>	$I_{\text{max}}$ as 4Ib	XX.XXX	0~65.535A	
Active/ Reactive Power <sup>note 1</sup>	maximum power as $U_n * 4I_b$	XX.XXX	-32.768~+32.767 kW/kvar	Complement, MSB as the sign bit
Apparent Power <sup>note 1</sup>	$U_n * 4I_b$	XX.XXX	0~+32.767 kVA	Complement, MSB always '0'
Frequency	$f_n$	XX.XX	45.00~65.00 Hz	
Power Factor <sup>note 3</sup>	1.000	X.XXX	-1.000~+1.000	Signed, MSB as the sign bit
Phase Angle <sup>note 4</sup>	180°	XXX.X	-180°~+180°	Signed, MSB as the sign bit

**Note 1:** All registers are of 16 bits. For cases when the current and active/reactive/apparent power goes beyond the above range, it is suggested to be handled by microcontroller (MCU) in application. For example, register value can be calibrated to 1/2 of the actual value during calibration, then multiply 2 in application. Note that if the actual current is twice of that of the M90E26, the actual active/reactive/apparent power is also twice of that of the M90E26.

**Note 2:** The accuracy is not guaranteed when the current is lower than 15mA. Note that the tolerance is 25 mA at  $I_{\text{FV}}$  of 5A and fiducial accuracy of 0.5%.

**Note 3:** Power factor is obtained by active power dividing apparent power

**Note 4:** Phase angle is obtained when voltage/current crosses zero at the frequency of 256kHz. Precision is not guaranteed at small current.

### 3.5.2 ZERO-CROSSING

The ZX pin is asserted when the sampling voltage crosses zero. Zero-crossing mode can be configured to positive zero-crossing, negative zero-crossing and all zero-crossing by the Zxcon[1:0] bits (MMode, 2BH). Refer to section 6.4.

The zero-crossing signal can facilitate operations such as relay operation and power line carrier transmission in typical smart meter applications.

## 3.6 CALIBRATION

Calibration includes metering and measurement calibration.

### Metering Calibration

The M90E26 design methodology guarantees the accuracy over the entire dynamic range, after metering calibration at one specific current, i.e. the basic current of  $I_b$ .

The calibration procedure includes the following steps:

1. Calibrate gain at unity power factor;
2. Calibrate phase angle compensation at 0.5 inductive power factor.

Generally, line current sampling is susceptible to the circuits around the sensor when shunt resistor is employed as the current sensor in L line. For example, the transformer in the energy meter's power supply may conduct interference to the shunt resistor. Such interference will cause perceptible metering error, especially at low current conditions. The total interference is at a statistically constant level. In this case, the M90E26 provides the power offset compensation feature to improve metering performance.

L line and N line need to be calibrated sequentially. Reactive energy does not need to be calibrated after active energy calibration completed.

### Measurement Calibration

Measurement calibration includes gain calibration for voltage rms and current rms.

Considering the possible nonlinearity around zero caused by external components, the M90E26 also provides offset compensation for voltage rms, current rms, mean active power and mean reactive power.

The M90E26 design methodology guarantees automatic calibration for frequency, phase angle and power factor measurement.

## 3.7 RESET

The M90E26 has an on-chip power supply monitor circuit with built-in hysteresis. The M90E26 only works within the voltage range.

The M90E26 has three means of reset: power-on reset, hardware reset and software reset. All registers resume to their default value after reset.

**Power-on Reset:** Power-on reset is initiated during power-up. Refer to section 6.3.

**Hardware Reset:** Hardware Reset is initiated when the  $\overline{\text{reset}}$  pin is pulled low. The width of the reset signal should be over 200 $\mu\text{s}$ .

**Software Reset:** Software Reset is initiated when '789AH' is written to the software reset register ([SoftReset](#), 00H).

## 4 INTERFACE

The M90E26 supports both Serial Peripheral Interface (SPI) and UART interface. The selection is made by the USEL pin. When the USEL pin is low, SPI interface is selected. When the USEL pin is high, UART interface is selected. Note that the USEL pin should not change after reset.

### 4.1 SPI INTERFACE

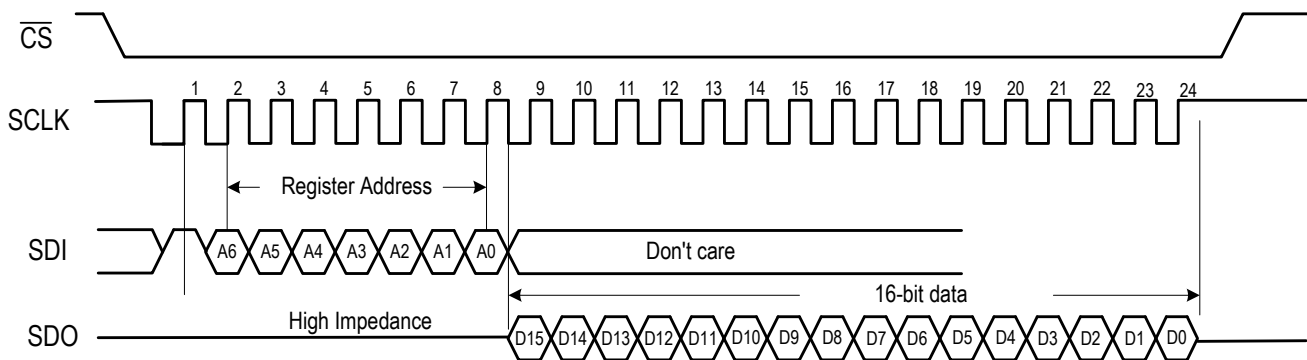
SPI is a full-duplex, synchronous channel. There are two SPI modes: four-wire mode and three-wire mode. In four-wire mode, four pins are used:  $\overline{CS}$ , SCLK, SDI and SDO. In three-wire mode, three pins are used: SCLK, SDI and SDO. Data on SDI is shifted into the chip on the rising edge of SCLK while data on SDO is shifted out of the chip on the falling edge of SCLK. The [LastData](#) register (06H) stores the 16-bit data that is just read or written.

#### 4.1.1 FOUR-WIRE MODE

In four-wire mode, the  $\overline{CS}$  pin must be driven low for the entire read or write operation. The first bit on SDI defines the access type and the lower 7-bit is decoded as address.

##### Read Sequence

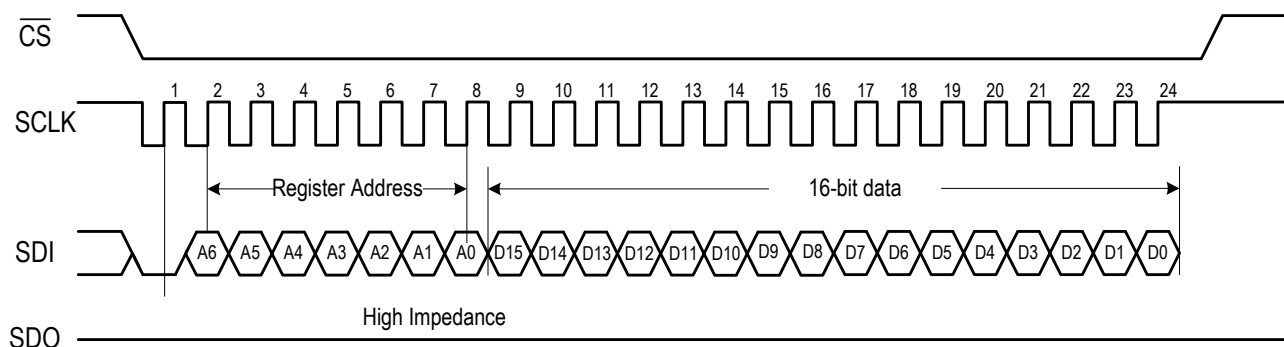
As shown in [Figure-3](#), a read operation is initiated by a high on SDI followed by a 7-bit register address. A 16-bit data in this register is then shifted out of the chip on SDO. A complete read operation contains 24 cycles.



**Figure-3 Read Sequence in Four-Wire Mode**

##### Write Sequence

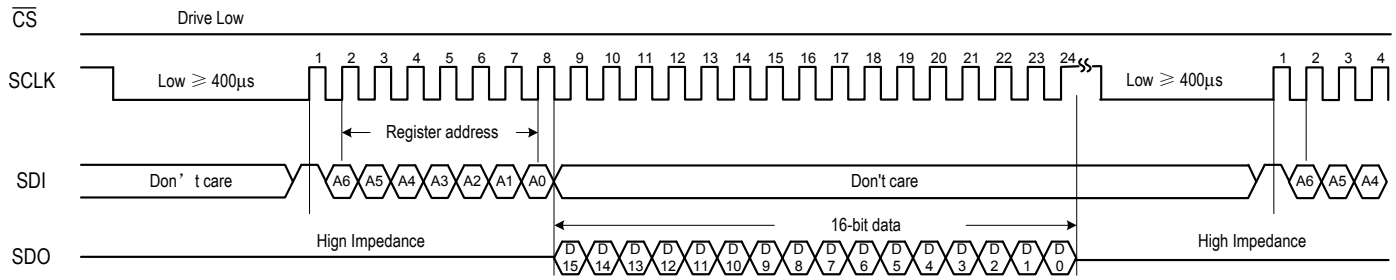
As shown in [Figure-4](#), a write operation is initiated by a low on SDI followed by a 7-bit register address. A 16-bit data is then shifted into the chip on SDI. A complete write operation contains 24 cycles.



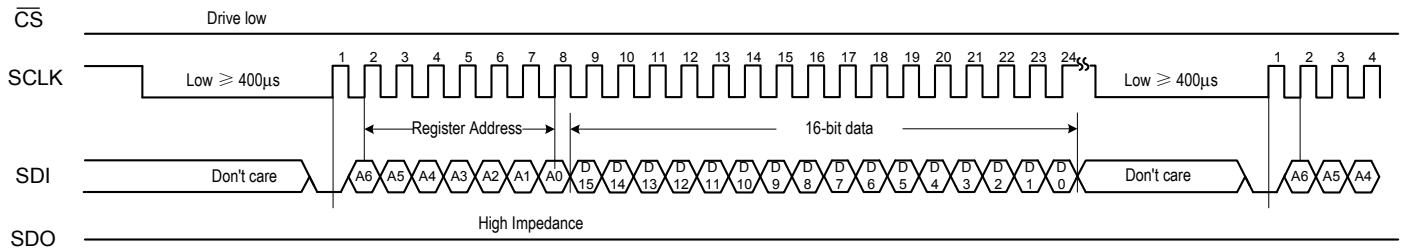
**Figure-4 Write Sequence in Four-Wire Mode**

### 4.1.2 THREE-WIRE MODE

In three-wire mode,  $\overline{CS}$  is always at low level. When there is no operation, SCLK keeps at high level. The start of a read or write operation is triggered if SCLK is consistently low for at least 400 $\mu$ s. The subsequent read or write operation is similar to that in four-wire mode. Refer to [Figure-5](#) and [Figure-6](#).



**Figure-5 Read Sequence in Three-Wire Mode**



**Figure-6 Write Sequence in Three-Wire Mode**



### 4.1.3 TIMEOUT AND PROTECTION

Timeout occurs if SCLK does not toggle for 6ms in both four-wire and three-wire modes. When timeout, the read or write operation is aborted.

If there are more than 24 SCLK cycles when  $\overline{CS}$  is driven low in four-wire mode or between two starts in three-wire mode, writing operation is prohibited while normal reading operation can be completed by taking the first 24 SCLK cycles as the valid ones. However, the reading result might not be the intended one.

A read access to an invalid address returns all zero. A write access to an invalid address is discarded.

Table-8 and Table-9 list the read or write result in different conditions.

**Table-8 Read / Write Result in Four-Wire Mode**

Condition			Result	
Operation	Timeout	SCLK Cycles <sup>note 1</sup>	Read/Write Status	LastData Register Update
Read	<sub>note 2</sub>	$\geq 24$	Normal Read	Yes
	<sub>note 2</sub>	$< 24$	Partial Read	No
Write	No	$= 24$	Normal Write	Yes
	No	$\neq 24$	No Write	No
	Yes	-	No Write	No

**Note 1:** The number of SCLK cycles when  $\overline{CS}$  is driven low or the number of SCLK cycles before timeout if any.  
**Note 2:** '-' stands for Don't Care.

**Table-9 Read / Write Result in Three-Wire Mode**

Condition			Result	
Operation	Timeout	SCLK Cycles <sup>note 1</sup>	Read/Write Status	LastData Register Update
Read	No	$\geq 24$ <sup>note 2</sup>	Normal Read	Yes
	Timeout after 24 cycles	$> 24$	Normal Read	Yes
	Timeout before 24 cycles	<sub>note 3</sub>	Partial Read	No
	Timeout at 24 cycles	$= 24$	Normal Read	Yes
Write	No	$= 24$	Normal Write	Yes
	No	$\neq 24$	No Write	No
	Yes	-	No Write	No

**Note 1:** The number of SCLK cycles between 2 starts or the number of SCLK cycles before timeout if any.  
**Note 2:** There is no such case of less than 24 SCLK cycles when there is no timeout in three-wire mode, because the first few SCLK cycles in the next operation is counted into this operation. In this case, data is corrupted.  
**Note 3:** '-' stands for Don't Care.

## 4.2 UART INTERFACE

The UART interface is of 8-bit data only, with no parity checking features.

A read/write transaction is composed of 6 bytes' transfer, starting always from the host transmitting the first byte 'FEH'. The second byte is referenced as RW\_ADDRESS, which has a R/W bit (bit7) and 7 address bits (bit6-0).

Upon receiving commands from the host, the M90E26 will send data and/or checksum bytes back to the host within 5ms if the checksum is confirmed to be correct. Interval between successive UART bytes from the M90E26 is 5 bits maximum.

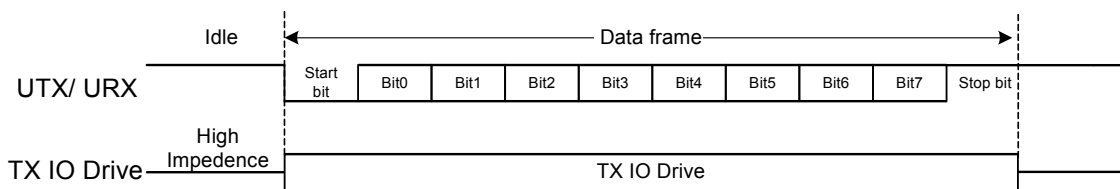
The M90E26 will time out the current transaction if the host byte interval (idling time between two successive bytes) is greater than 20ms. Once transaction timeout or checksum failure, the M90E26 will abort the current transaction and wait for the starting byte 'FEH' of the new transaction and ignore other data that received. The host needs to have a timeout scheme to detect transaction failure. In addition, host needs to wait at least 20ms to start a new transaction to allow the M90E26 to recover from a failure condition.

UART baud rate is determined by the host, and it can be auto-detected by the M90E26. The baud rates supported are 2400 and 9600. The first byte (FEH) is used in detecting the baud-rate. The baud-rate of a transaction shall be kept unchanged. For a new transaction, host may change the baud rate. However, it is suggested that boad rate remain the same in application.

The 8-bit data in TX/RX pin is shifted in a LSB (bit0) first manner.

### 4.2.1 BYTE LEVEL TIMING

The timing for each byte is as shown in [Figure-7](#).

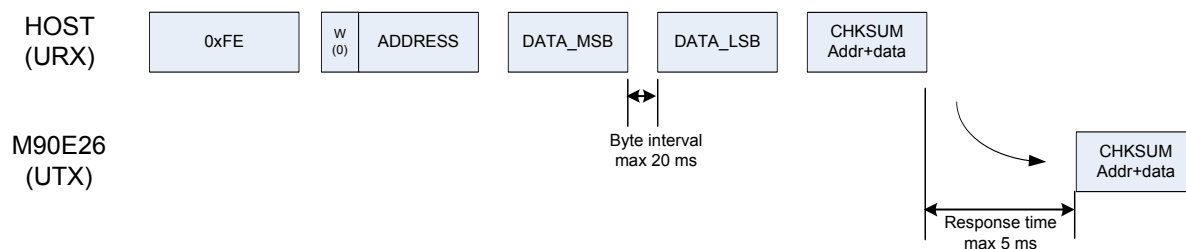


**Note:** The UTX pin will be in high impedance state when not transmitting

**Figure-7 UART Byte Level Timing**

### 4.2.2 WRITE TRANSACTION

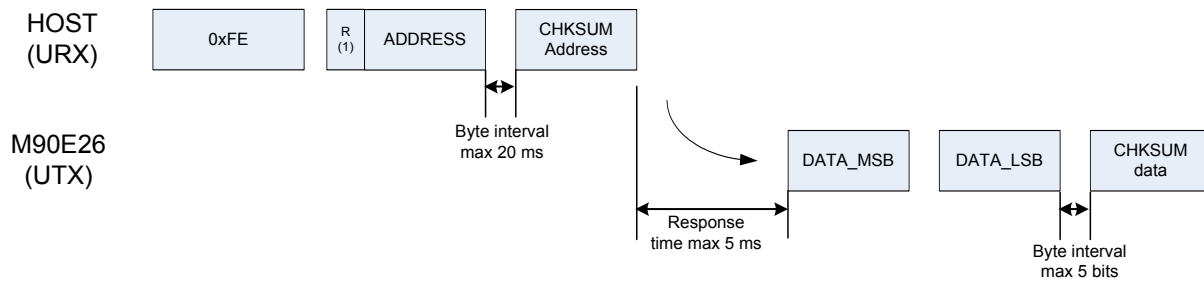
A complete write transaction is composed of six bytes, five from the host and one from the M90E26 as shown in [Figure-8](#).



**Figure-8 Write Transaction**

### 4.2.3 READ TRANSACTION

A complete read transaction is composed of six bytes, three from the host and three from the M90E26 as shown in Figure-9.



**Figure-9 Read Transaction**

### 4.2.4 CHECKSUM

Checksum is done by adding the bytes as unsigned numbers, dropping the overflow bits, and taking the result as the checksum.

Checksum is calculated with address, data or address+data, depending on the transaction type:

#### Write Transaction:

$$\text{Host Checksum} = \text{RW\_Address} + \text{DATA\_MSB} + \text{DATA\_LSB}$$

$$\text{M90E26 Checksum} = \text{RW\_Address} + \text{DATA\_MSB} + \text{DATA\_LSB}$$

#### Read Transaction:

$$\text{Host Checksum} = \text{RW\_Address}$$

$$\text{M90E26 Checksum} = \text{DATA\_MSB} + \text{DATA\_LSB}$$

### 4.3 WARNOUT PIN FOR FATAL ERROR WARNING

Fatal error warning is raised through the WarnOut pin in two cases: checksum calibration error and voltage sag.

#### Calibration Error

The M90E26 performs diagnosis on a regular basis for important parameters such as calibration parameters and metering configuration. When checksum is not correct, the CalErr[1:0] bits ([SysStatus](#), 01H) are set, and both the WarnOut pin and the IRQ pin are asserted. When checksum is not correct, the metering part does not work to prevent a large number of pulses during power-on or any abnormal situation upon incorrect parameters.

#### Voltage Sag

Voltage sag is detected when voltage is continuously below the voltage sag threshold for one cycle which starts from any zero-crossing point. Voltage threshold is configured by the [SagTh](#) register (03H). Refer to section [6.5](#).

When voltage sag occurs, the SagWarn bit ([SysStatus](#), 01H) is set and the WarnOut pin is asserted if the [FuncEn](#) register (02H) enables voltage sag warning through the WarnOut pin. This function helps reduce power-down detection circuit in system design. In addition, the method of judging voltage sag by detecting AC side voltage eliminates the influence of large capacitor in traditional rectifier circuit, and can detect voltage sag earlier.

### 4.4 LOW COST IMPLEMENTATION IN ISOLATION WITH MCU

The following functions can be achieved at low cost when the M90E26 is isolated from the MCU:

SPI/UART: MCU can perform read and write operations through low speed optocoupler (e.g. PS2501) when the M90E26 is isolated from the MCU. For the SPI interface, it can be either of 3-wire or 4-wire.

Energy Pulses CFx: Energy can be accumulated by reading values in corresponding energy registers. CFx can also connect to the optocoupler and the energy pulse light can be turned on by CFx.

Fatal Error WarnOut: Fatal error can be acquired by reading the CalErr[1:0] bits ([SysStatus](#), 01H).

IRQ: IRQ interrupt can be acquired by reading the [SysStatus](#) register (01H).

Reset: The M90E26 is reset when '789AH' is written to the software reset register ([SoftReset](#), 00H).

## 5 REGISTER

### 5.1 REGISTER LIST

Table-10 Register List

Register Address	Register Name	Read/Write Type	Functional Description	Page
<b>Status and Special Register</b>				
00H	<a href="#">SoftReset</a>	W	Software Reset	<a href="#">P 22</a>
01H	<a href="#">SysStatus</a>	R/C	System Status	<a href="#">P 23</a>
02H	<a href="#">FuncEn</a>	R/W	Function Enable	<a href="#">P 24</a>
03H	<a href="#">SagTh</a>	R/W	Voltage Sag Threshold	<a href="#">P 24</a>
04H	<a href="#">SmallPMod</a>	R/W	Small-Power Mode	<a href="#">P 25</a>
06H	<a href="#">LastData</a>	R	Last Read/Write SPI/UART Value	<a href="#">P 25</a>
<b>Metering Calibration and Configuration Register</b>				
08H	<a href="#">LSB</a>	R/W	RMS/Power 16-bit LSB	<a href="#">P 26</a>
20H	<a href="#">CalStart</a>	R/W	Calibration Start Command	<a href="#">P 26</a>
21H	<a href="#">PLconstH</a>	R/W	High Word of PL_Constant	<a href="#">P 27</a>
22H	<a href="#">PLconstL</a>	R/W	Low Word of PL_Constant	<a href="#">P 27</a>
23H	<a href="#">Lgain</a>	R/W	L Line Calibration Gain	<a href="#">P 28</a>
24H	<a href="#">Lphi</a>	R/W	L Line Calibration Angle	<a href="#">P 28</a>
25H	<a href="#">Ngain</a>	R/W	N Line Calibration Gain	<a href="#">P 28</a>
26H	<a href="#">Nphi</a>	R/W	N Line Calibration Angle	<a href="#">P 29</a>
27H	<a href="#">PStartTh</a>	R/W	Active Startup Power Threshold	<a href="#">P 29</a>
28H	<a href="#">PNoITh</a>	R/W	Active No-Load Power Threshold	<a href="#">P 29</a>
29H	<a href="#">QStartTh</a>	R/W	Reactive Startup Power Threshold	<a href="#">P 30</a>
2AH	<a href="#">QNoITh</a>	R/W	Reactive No-Load Power Threshold	<a href="#">P 30</a>
2BH	<a href="#">MMode</a>	R/W	Metering Mode Configuration	<a href="#">P 31</a>
2CH	<a href="#">CS1</a>	R/W	Checksum 1	<a href="#">P 33</a>
<b>Measurement Calibration Register</b>				
30H	<a href="#">AdjStart</a>	R/W	Measurement Calibration Start Command	<a href="#">P 34</a>
31H	<a href="#">Ugain</a>	R/W	Voltage rms Gain	<a href="#">P 34</a>
32H	<a href="#">IgainL</a>	R/W	L Line Current rms Gain	<a href="#">P 35</a>
33H	<a href="#">IgainN</a>	R/W	N Line Current rms Gain	<a href="#">P 35</a>
34H	<a href="#">Uoffset</a>	R/W	Voltage Offset	<a href="#">P 35</a>
35H	<a href="#">IoffsetL</a>	R/W	L Line Current Offset	<a href="#">P 36</a>
36H	<a href="#">IoffsetN</a>	R/W	N Line Current Offset	<a href="#">P 36</a>
37H	<a href="#">PoffsetL</a>	R/W	L Line Active Power Offset	<a href="#">P 36</a>
38H	<a href="#">QoffsetL</a>	R/W	L Line Reactive Power Offset	<a href="#">P 37</a>
39H	<a href="#">PoffsetN</a>	R/W	N Line Active Power Offset	<a href="#">P 37</a>
3AH	<a href="#">QoffsetN</a>	R/W	N Line Reactive Power Offset	<a href="#">P 37</a>
3BH	<a href="#">CS2</a>	R/W	Checksum 2	<a href="#">P 38</a>
<b>Energy Register</b>				
40H	<a href="#">APenergy</a>	R/C	Forward Active Energy	<a href="#">P 39</a>
41H	<a href="#">ANenergy</a>	R/C	Reverse Active Energy	<a href="#">P 40</a>
42H	<a href="#">ATenergy</a>	R/C	Absolute Active Energy	<a href="#">P 40</a>
43H	<a href="#">RPenergy</a>	R/C	Forward (Inductive) Reactive Energy	<a href="#">P 41</a>

**Table-10 Register List (Continued)**

Register Address	Register Name	Read/Write Type	Functional Description	Page
44H	<a href="#">RNenergy</a>	R/C	Reverse (Capacitive) Reactive Energy	<a href="#">P 41</a>
45H	<a href="#">RTenergy</a>	R/C	Absolute Reactive Energy	<a href="#">P 42</a>
46H	<a href="#">EnStatus</a>	R	Metering Status	<a href="#">P 43</a>
<b>Measurement Register</b>				
48H	<a href="#">Irms</a>	R	L Line Current rms	<a href="#">P 44</a>
49H	<a href="#">Urms</a>	R	Voltage rms	<a href="#">P 44</a>
4AH	<a href="#">Pmean</a>	R	L Line Mean Active Power	<a href="#">P 45</a>
4BH	<a href="#">Qmean</a>	R	L Line Mean Reactive Power	<a href="#">P 45</a>
4CH	<a href="#">Freq</a>	R	Voltage Frequency	<a href="#">P 46</a>
4DH	<a href="#">PowerF</a>	R	L Line Power Factor	<a href="#">P 46</a>
4EH	<a href="#">Pangle</a>	R	Phase Angle between Voltage and L Line Current	<a href="#">P 47</a>
4FH	<a href="#">Smean</a>	R	L Line Mean Apparent Power	<a href="#">P 47</a>
68H	<a href="#">Irms2</a>	R	N Line Current rms	<a href="#">P 48</a>
6AH	<a href="#">Pmean2</a>	R	N Line Mean Active Power	<a href="#">P 48</a>
6BH	<a href="#">Qmean2</a>	R	N Line Mean Reactive Power	<a href="#">P 49</a>
6DH	<a href="#">PowerF2</a>	R	N Line Power Factor	<a href="#">P 49</a>
6EH	<a href="#">Pangle2</a>	R	Phase Angle between Voltage and N Line Current	<a href="#">P 50</a>
6FH	<a href="#">Smean2</a>	R	N Line Mean Apparent Power	<a href="#">P 50</a>

## 5.2 STATUS AND SPECIAL REGISTER

### SoftReset Software Reset

Address: 00H							
Type: Write							
Default Value: 0000H							
15	14	13	12	11	10	9	8
SoftReset15	SoftReset14	SoftReset13	SoftReset12	SoftReset11	SoftReset10	SoftReset9	SoftReset8
7	6	5	4	3	2	1	0
SoftReset7	SoftReset6	SoftReset5	SoftReset4	SoftReset3	SoftReset2	SoftReset1	SoftReset0
Bit	Name	Description					
15 - 0	SoftReset[15:0]	Software reset register. The M90E26 resets if only 789AH is written to this register.					

## SysStatus System Status

Address: 01H  
Type: Read/Clear  
Default Value: 0000H

15	14	13	12	11	10	9	8
CalErr1	CalErr0	AdjErr1	AdjErr0	-	-	-	-
7	6	5	4	3	2	1	0
LNchange	RevQchg	RevPchg	-	-	-	SagWarn	-

Bit	Name	Description
15 - 14	CalErr[1:0]	These bits indicate CS1 checksum status. 00: CS1 checksum correct (default) 11: CS1 checksum error. At the same time, the WarnOut pin is asserted.
13 - 12	AdjErr[1:0]	These bits indicate CS2 checksum status. 00: CS2 checksum correct (default) 11: CS2 checksum error.
11 - 8	-	Reserved.
7	LNchange	This bit indicates whether there is any change of the metering line (L line and N line). 0: metering line no change (default) 1: metering line changed
6	RevQchg	This bit indicates whether there is any change with the direction of reactive energy. 0: direction of reactive energy no change (default) 1: direction of reactive energy changed This status is enabled by the RevQEn bit ( <a href="#">FuncEn</a> , 02H).
5	RevPchg	This bit indicates whether there is any change with the direction of active energy. 0: direction of active energy no change (default) 1: direction of active energy changed This status is enabled by the RevPEn bit ( <a href="#">FuncEn</a> , 02H).
4 - 2	-	Reserved.
1	SagWarn	This bit indicates the voltage sag status. 0: no voltage sag (default) 1: voltage sag Voltage sag is enabled by the SagEn bit ( <a href="#">FuncEn</a> , 02H). Voltage sag status can also be reported by the WarnOut pin. It is enabled by the SagWo bit( <a href="#">FuncEn</a> , 02H).
0	-	Reserved.

**Note:** Any of the above events will prompt the IRQ pin to be asserted, which can be supplied to external MCU as an interrupt.

## FuncEn Function Enable

Address: 02H  
Type: Read/Write  
Default Value: 000CH

15	14	13	12	11	10	9	8
-	-	-	-	-	-	-	-
7	6	5	4	3	2	1	0
-	-	SagEn	SagWo	RevQEn	RevPEn	-	-

Bit	Name	Description
15 - 6	-	Reserved.
5	SagEn	This bit determines whether to enable the voltage sag interrupt. 0: disable (default) 1: enable
4	SagWo	This bit determines whether to enable voltage sag to be reported by the WarnOut pin. 0: disable (default) 1: enable
3	RevQEn	This bit determines whether to enable the direction change interrupt of reactive energy. 0: disable 1: enable (default)
2	RevPEn	This bit determines whether to enable the direction change interrupt of active energy. 0: disable 1: enable (default)
1 - 0	-	Reserved.

## SagTh Voltage Sag Threshold

Address: 03H  
Type: Read/Write  
Default Value: 1D6AH

15	14	13	12	11	10	9	8
SagTh15	SagTh14	SagTh13	SagTh12	SagTh11	SagTh10	SagTh9	SagTh8
7	6	5	4	3	2	1	0
SagTh7	SagTh6	SagTh5	SagTh4	SagTh3	SagTh2	SagTh1	SagTh0

Bit	Name	Description
15 - 0	SagTh[15:0]	Voltage sag threshold configuration. Data format is XXX.XX. Unit is V. The power-on value of SagTh is 1D6AH, which is calculated by $22000 \cdot \sqrt{2} \cdot 0.78 / (4 \cdot U_{\text{gain}} / 32768)$ For details, please refer to related application note 46102.



## SmallPMod Small-Power Mode

Address: 04H							
Type: Read/Write							
Default Value: 0000H							
15	14	13	12	11	10	9	8
SmallPMod1 5	SmallPMod1 4	SmallPMod1 3	SmallPMod1 2	SmallPMod1 1	SmallPMod1 0	SmallPMod9	SmallPMod8
7	6	5	4	3	2	1	0
SmallPMod7	SmallPMod6	SmallPMod5	SmallPMod4	SmallPMod3	SmallPMod2	SmallPMod1	SmallPMod0
Bit	Name	Description					
15 - 0	SmallPMod[15:0]	<p>Small-power mode command.</p> <p>A987H: small-power mode. The relationship between the register value of L line and N line active/reactive power in small-power mode and normal mode is:  <math>\text{power in normal mode} = \text{power in small-power mode} * \text{Igain} * \text{Ugain} / (100000 * 2^{42})</math></p> <p>Others: Normal mode.</p> <p>Small-power mode is mainly used in the power offset calibration.</p>					

## LastData Last Read/Write SPI/UART Value

Address: 06H							
Type: Read							
Default Value: 0000H							
15	14	13	12	11	10	9	8
LastData15	LastData14	LastData13	LastData12	LastData11	LastData10	LastData9	LastData8
7	6	5	4	3	2	1	0
LastData7	LastData6	LastData5	LastData4	LastData3	LastData2	LastData1	LastData0
Bit	Name	Description					
15 - 0	LastData[15:0]	<p>This register stores the data that is just read or written through the SPI/UART interface. Refer to <a href="#">Table-8</a> and <a href="#">Table-9</a>.</p>					

## 5.3 METERING/ MEASUREMENT CALIBRATION AND CONFIGURATION

### 5.3.1 METERING CALIBRATION AND CONFIGURATION REGISTER

#### LSB RMS/Power 16-bit LSB

Address: 08H							
Type: Read							
Default Value: 0000H							
15	14	13	12	11	10	9	8
LSB15	LSB14	LSB13	LSB12	LSB11	LSB10	LSB9	LSB8
7	6	5	4	3	2	1	0
LSB7	LSB6	LSB5	LSB4	LSB3	LSB2	LSB1	LSB0
Bit	Name	Description					
15 - 0	LSB[15:0]	16-bit LSB of the RMS or Power registers. Note that reading of the LSB[7:0] bits is always 0.					

#### CalStart Calibration Start Command

Address: 20H							
Type: Read/Write							
Default Value: 6886H							
15	14	13	12	11	10	9	8
CalStart15	CalStart14	CalStart13	CalStart12	CalStart11	CalStart10	CalStart9	CalStart8
7	6	5	4	3	2	1	0
CalStart7	CalStart6	CalStart5	CalStart4	CalStart3	CalStart2	CalStart1	CalStart0
Bit	Name	Description					
15 - 0	CalStart[15:0]	<p>Metering calibration start command:</p> <p>6886H: Power-on value. Metering function is disabled.</p> <p>5678H: Metering calibration startup command. After 5678H is written to this register, registers 21H-2BH resume to their power-on values. The M90E26 starts to meter and output energy pulses regardless of the correctness of diagnosis. The CalErr[1:0] bits (<a href="#">SysStatus</a>, 01H) are not set and the WarnOut/IRQ pins do not report any warning/interrupt.</p> <p>8765H: Check the correctness of the 21H-2BH registers. If correct, normal metering. If not correct, metering function is disabled, the CalErr[1:0] bits (<a href="#">SysStatus</a>, 01H) are set and the WarnOut/IRQ pins report warning/interrupt.</p> <p>Others: Metering function is disabled. The CalErr[1:0] bits (<a href="#">SysStatus</a>, 01H) are set and the WarnOut/IRQ pins report warning/interrupt.</p>					

## PLconstH High Word of PL\_Constant

Address: 21H							
Type: Read/Write							
Default Value: 0015H							
15	14	13	12	11	10	9	8
PLconstH15	PLconstH14	PLconstH13	PLconstH12	PLconstH11	PLconstH10	PLconstH9	PLconstH8
7	6	5	4	3	2	1	0
PLconstH7	PLconstH6	PLconstH5	PLconstH4	PLconstH3	PLconstH2	PLconstH1	PLconstH0
Bit	Name	Description					
15 - 0	PLconstH[15:0]	<p>The PLconstH[15:0] and PLconstL[15:0] bits are high word and low word of PL_Constant respectively. PL_Constant is a constant which is proportional to the sampling ratios of voltage and current, and inversely proportional to the Meter Constant. PL_Constant is a threshold for energy calculated inside the M90E26, i.e., energy larger than PL_Constant will be accumulated in the corresponding energy registers and then output on CFx.</p> <p>It is suggested to set PL_constant as a multiple of 4 so as to double or redouble Meter Constant in low current state to save verification time.</p> <p>Note: PLconstH takes effect after PLconstL are configured.</p> <p>For details, please refer to related application note 46102.</p>					

## PLconstL Low Word of PL\_Constant

Address: 22H							
Type: Read/Write							
Default Value: D174H							
15	14	13	12	11	10	9	8
PLconstL15	PLconstL14	PLconstL13	PLconstL12	PLconstL11	PLconstL10	PLconstL9	PLconstL8
7	6	5	4	3	2	1	0
PLconstL7	PLconstL6	PLconstL5	PLconstL4	PLconstL3	PLconstL2	PLconstL1	PLconstL0
Bit	Name	Description					
15 - 0	PLconstL[15:0]	<p>The PLconstH[15:0] and PLconstL[15:0] bits are high word and low word of PL_Constant respectively. It is suggested to set PL_constant as a multiple of 4. For details, please refer to related application note 46102.</p>					

**Lgain**  
**L Line Calibration Gain**

Address: 23H							
Type: Read/Write							
Default Value: 0000H							
15	14	13	12	11	10	9	8
Lgain15	Lgain14	Lgain13	Lgain12	Lgain11	Lgain10	Lgain9	Lgain8
7	6	5	4	3	2	1	0
Lgain7	Lgain6	Lgain5	Lgain4	Lgain3	Lgain2	Lgain1	Lgain0
<b>Bit</b>	<b>Name</b>	<b>Description</b>					
15 - 0	Lgain[15:0]	L line calibration gain. For details, please refer to related application note 46102.					

**Lphi**  
**L Line Calibration Angle**

Address: 24H							
Type: Read/Write							
Default Value: 0000H							
15	14	13	12	11	10	9	8
Lphi15	-	-	-	-	-	Lphi9	Lphi8
7	6	5	4	3	2	1	0
Lphi7	Lphi6	Lphi5	Lphi4	Lphi3	Lphi2	Lphi1	Lphi0
<b>Bit</b>	<b>Name</b>	<b>Description</b>					
15 - 0	Lphi[15:0]	L line calibration phase angle. For details, please refer to related application note 46102.					

**Ngain**  
**N Line Calibration Gain**

Address: 25H							
Type: Read/Write							
Default Value: 0000H							
15	14	13	12	11	10	9	8
Ngain15	Ngain14	Ngain13	Ngain12	Ngain11	Ngain10	Ngain9	Ngain8
7	6	5	4	3	2	1	0
Ngain7	Ngain6	Ngain5	Ngain4	Ngain3	Ngain2	Ngain1	Ngain0
<b>Bit</b>	<b>Name</b>	<b>Description</b>					
15 - 0	Ngain[15:0]	N line calibration gain. For details, please refer to related application note 46102.					

## Nphi N Line Calibration Angle

Address: 26H							
Type: Read/Write							
Default Value: 0000H							
15	14	13	12	11	10	9	8
Nphi15	-	-	-	-	-	Nphi9	Nphi8
7	6	5	4	3	2	1	0
Nphi7	Nphi6	Nphi5	Nphi4	Nphi3	Nphi2	Nphi1	Nphi0
Bit	Name	Description					
15 - 0	Nphi[15:0]	N line calibration phase angle. For details, please refer to related application note 46102.					

## PStartTh Active Startup Power Threshold

Address: 27H							
Type: Read/Write							
Default Value: 08BDH							
15	14	13	12	11	10	9	8
PStartTh15	PStartTh14	PStartTh13	PStartTh12	PStartTh11	PStartTh10	PStartTh9	PStartTh8
7	6	5	4	3	2	1	0
PStartTh7	PStartTh6	PStartTh5	PStartTh4	PStartTh3	PStartTh2	PStartTh1	PStartTh0
Bit	Name	Description					
15 - 0	PStartTh[15:0]	Active startup power threshold. For details, please refer to related application note 46102.					

## PNolTh Active No-Load Power Threshold

Address: 28H							
Type: Read/Write							
Default Value: 0000H							
15	14	13	12	11	10	9	8
PNolTh15	PNolTh14	PNolTh13	PNolTh12	PNolTh11	PNolTh10	PNolTh9	PNolTh8
7	6	5	4	3	2	1	0
PNolTh7	PNolTh6	PNolTh5	PNolTh4	PNolTh3	PNolTh2	PNolTh1	PNolTh0
Bit	Name	Description					
15 - 0	PNolTh[15:0]	Active no-load power threshold. For details, please refer to related application note 46102.					

**QStartTh**  
**Reactive Startup Power Threshold**

Address: 29H							
Type: Read/Write							
Default Value: 0AECH							
15	14	13	12	11	10	9	8
QStartTh15	QStartTh14	QStartTh13	QStartTh12	QStartTh11	QStartTh10	QStartTh9	QStartTh8
7	6	5	4	3	2	1	0
QStartTh7	QStartTh6	QStartTh5	QStartTh4	QStartTh3	QStartTh2	QStartTh1	QStartTh0
<b>Bit</b>	<b>Name</b>	<b>Description</b>					
15 - 0	QStartTh[15:0]	Reactive startup power threshold. For details, please refer to related application note 46102.					

**QNoIth**  
**Reactive No-Load Power Threshold**

Address: 2AH							
Type: Read/Write							
Default Value: 0000H							
15	14	13	12	11	10	9	8
QNoIth15	QNoIth14	QNoIth13	QNoIth12	QNoIth11	QNoIth10	QNoIth9	QNoIth8
7	6	5	4	3	2	1	0
QNoIth7	QNoIth6	QNoIth5	QNoIth4	QNoIth3	QNoIth2	QNoIth1	QNoIth0
<b>Bit</b>	<b>Name</b>	<b>Description</b>					
15 - 0	QNoIth[15:0]	Reactive no-load power threshold. For details, please refer to related application note 46102.					

## MMode Metering Mode Configuration

Address: 2BH  
Type: Read/Write  
Default Value: 9422H

15	14	13	12	11	10	9	8
Lgain2	Lgain1	Lgain0	Ngain1	Ngain0	LNSel	DisHPF1	DisHPF0
7	6	5	4	3	2	1	0
Amod	Rmod	ZXCon1	ZXCon0	Pthresh3	Pthresh2	Pthresh1	Pthresh0

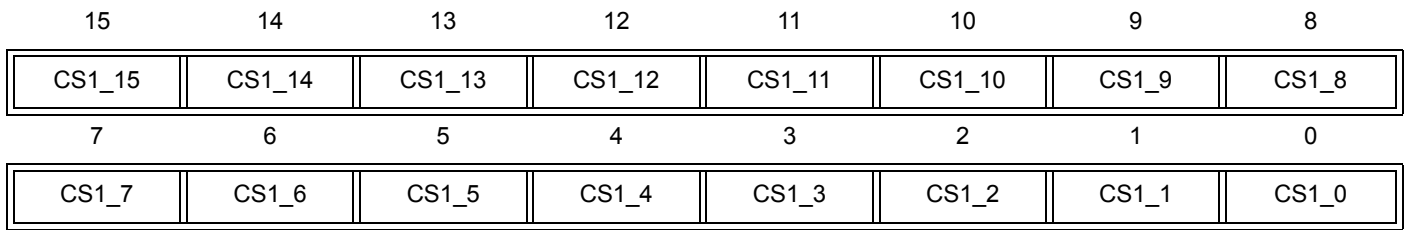
Bit	Name	Description																								
15 - 13	Lgain[2:0]	L line current gain, default value is '100'. <table border="1"> <thead> <tr> <th>Lgain2</th><th>Lgain1</th><th>Lgain0</th><th>Current Channel Gain</th></tr> </thead> <tbody> <tr> <td>1</td><td>X</td><td>X</td><td>1</td></tr> <tr> <td>0</td><td>0</td><td>0</td><td>4</td></tr> <tr> <td>0</td><td>0</td><td>1</td><td>8</td></tr> <tr> <td>0</td><td>1</td><td>0</td><td>16</td></tr> <tr> <td>0</td><td>1</td><td>1</td><td>24</td></tr> </tbody> </table>	Lgain2	Lgain1	Lgain0	Current Channel Gain	1	X	X	1	0	0	0	4	0	0	1	8	0	1	0	16	0	1	1	24
Lgain2	Lgain1	Lgain0	Current Channel Gain																							
1	X	X	1																							
0	0	0	4																							
0	0	1	8																							
0	1	0	16																							
0	1	1	24																							
12 - 11	Ngain[1:0]	N line current gain 00: 2 01: 4 10: 1 (default) 11: 1																								
10	LNSel	This bit specifies metering as L line or N line when metering mode is set to flexible mode by MMD1 and MMD0 pins. 0: N line 1: L line (default)																								
9 - 8	DisHPF[1:0]	These bits configure the High Filter Pass (HPF) after ADC. There are two first-order HPF in serial: HPF1 and HPF0. The configuration are applicable to all channels: <table border="1"> <thead> <tr> <th>DisHPF1</th><th>DisHPF 0</th><th>HPF Configuration</th></tr> </thead> <tbody> <tr> <td>0</td><td>0</td><td>enable HPF1 and HPF0 (default)</td></tr> <tr> <td>0</td><td>1</td><td>enable HPF1, disable HPF0;</td></tr> <tr> <td>1</td><td>0</td><td>disable HPF1, enable HPF0;</td></tr> <tr> <td>1</td><td>1</td><td>disable HPF1 and HPF0</td></tr> </tbody> </table>	DisHPF1	DisHPF 0	HPF Configuration	0	0	enable HPF1 and HPF0 (default)	0	1	enable HPF1, disable HPF0;	1	0	disable HPF1, enable HPF0;	1	1	disable HPF1 and HPF0									
DisHPF1	DisHPF 0	HPF Configuration																								
0	0	enable HPF1 and HPF0 (default)																								
0	1	enable HPF1, disable HPF0;																								
1	0	disable HPF1, enable HPF0;																								
1	1	disable HPF1 and HPF0																								
7	Amod	CF1 output for active power: 0: forward or reverse energy pulse output (default) 1: absolute energy pulse output																								
6	Rmod	CF2 output for reactive power: 0: forward (inductive) or reverse (capacitive) energy pulse output (default) 1: absolute energy pulse output																								

5 - 4	Zxcon[1:0]	<p>These bits configure zero-crossing mode. The ZX pin outputs 5ms-width high level when voltage crosses zero.</p> <p>00: positive zero-crossing  01: negative zero-crossing  10: all zero-crossing: both positive and negative zero-crossing (default)  11: no zero-crossing output</p>																																																																																					
3 - 0	Pthresh[3:0]	<p>These bits configure the L line and N line power difference threshold in anti-tampering mode.</p> <table border="1" data-bbox="568 409 1372 934"> <thead> <tr> <th>Pthresh 3</th> <th>Pthresh 2</th> <th>Pthresh 1</th> <th>Pthresh0</th> <th>Threshold</th> </tr> </thead> <tbody> <tr><td>0</td><td>0</td><td>0</td><td>0</td><td>12.5%</td></tr> <tr><td>0</td><td>0</td><td>0</td><td>1</td><td>6.25%</td></tr> <tr><td>0</td><td>0</td><td>1</td><td>0</td><td>3.125% (default)</td></tr> <tr><td>0</td><td>0</td><td>1</td><td>1</td><td>1.5625%</td></tr> <tr><td>0</td><td>1</td><td>0</td><td>0</td><td>1%</td></tr> <tr><td>0</td><td>1</td><td>0</td><td>1</td><td>2%</td></tr> <tr><td>0</td><td>1</td><td>1</td><td>0</td><td>3%</td></tr> <tr><td>0</td><td>1</td><td>1</td><td>1</td><td>4%</td></tr> <tr><td>1</td><td>0</td><td>0</td><td>0</td><td>5%</td></tr> <tr><td>1</td><td>0</td><td>0</td><td>1</td><td>6%</td></tr> <tr><td>1</td><td>0</td><td>1</td><td>0</td><td>7%</td></tr> <tr><td>1</td><td>0</td><td>1</td><td>1</td><td>8%</td></tr> <tr><td>1</td><td>1</td><td>0</td><td>0</td><td>9%</td></tr> <tr><td>1</td><td>1</td><td>0</td><td>1</td><td>10%</td></tr> <tr><td>1</td><td>1</td><td>1</td><td>0</td><td>11%</td></tr> <tr><td>1</td><td>1</td><td>1</td><td>1</td><td>12%</td></tr> </tbody> </table>	Pthresh 3	Pthresh 2	Pthresh 1	Pthresh0	Threshold	0	0	0	0	12.5%	0	0	0	1	6.25%	0	0	1	0	3.125% (default)	0	0	1	1	1.5625%	0	1	0	0	1%	0	1	0	1	2%	0	1	1	0	3%	0	1	1	1	4%	1	0	0	0	5%	1	0	0	1	6%	1	0	1	0	7%	1	0	1	1	8%	1	1	0	0	9%	1	1	0	1	10%	1	1	1	0	11%	1	1	1	1	12%
Pthresh 3	Pthresh 2	Pthresh 1	Pthresh0	Threshold																																																																																			
0	0	0	0	12.5%																																																																																			
0	0	0	1	6.25%																																																																																			
0	0	1	0	3.125% (default)																																																																																			
0	0	1	1	1.5625%																																																																																			
0	1	0	0	1%																																																																																			
0	1	0	1	2%																																																																																			
0	1	1	0	3%																																																																																			
0	1	1	1	4%																																																																																			
1	0	0	0	5%																																																																																			
1	0	0	1	6%																																																																																			
1	0	1	0	7%																																																																																			
1	0	1	1	8%																																																																																			
1	1	0	0	9%																																																																																			
1	1	0	1	10%																																																																																			
1	1	1	0	11%																																																																																			
1	1	1	1	12%																																																																																			



## CS1 Checksum 1

Address: 2CH  
Type: Read/Write  
Default Value: 0000H



Bit	Name	Description																																				
15 - 0	CS1[15:0]	<p>The CS1 register should be written after the 21H-2BH registers are written. Suppose the high byte and the low byte of the 21H-2BH registers are shown in below table.</p> <table border="1" style="margin: 10px auto; border-collapse: collapse;"> <thead> <tr> <th style="width: 30%;">Register Address</th> <th style="width: 20%;">High Byte</th> <th style="width: 20%;">Low Byte</th> </tr> </thead> <tbody> <tr><td style="text-align: center;">21H</td><td style="text-align: center;">H<sub>21</sub></td><td style="text-align: center;">L<sub>21</sub></td></tr> <tr><td style="text-align: center;">22H</td><td style="text-align: center;">H<sub>22</sub></td><td style="text-align: center;">L<sub>22</sub></td></tr> <tr><td style="text-align: center;">23H</td><td style="text-align: center;">H<sub>23</sub></td><td style="text-align: center;">L<sub>23</sub></td></tr> <tr><td style="text-align: center;">24H</td><td style="text-align: center;">H<sub>24</sub></td><td style="text-align: center;">L<sub>24</sub></td></tr> <tr><td style="text-align: center;">25H</td><td style="text-align: center;">H<sub>25</sub></td><td style="text-align: center;">L<sub>25</sub></td></tr> <tr><td style="text-align: center;">26H</td><td style="text-align: center;">H<sub>26</sub></td><td style="text-align: center;">L<sub>26</sub></td></tr> <tr><td style="text-align: center;">27H</td><td style="text-align: center;">H<sub>27</sub></td><td style="text-align: center;">L<sub>27</sub></td></tr> <tr><td style="text-align: center;">28H</td><td style="text-align: center;">H<sub>28</sub></td><td style="text-align: center;">L<sub>28</sub></td></tr> <tr><td style="text-align: center;">29H</td><td style="text-align: center;">H<sub>29</sub></td><td style="text-align: center;">L<sub>29</sub></td></tr> <tr><td style="text-align: center;">2AH</td><td style="text-align: center;">H<sub>2A</sub></td><td style="text-align: center;">L<sub>2A</sub></td></tr> <tr><td style="text-align: center;">2BH</td><td style="text-align: center;">H<sub>2B</sub></td><td style="text-align: center;">L<sub>2B</sub></td></tr> </tbody> </table> <p>The calculation of the CS1 register is as follows:</p> <p>The low byte of 2CH register is: <math>L_{2C} = \text{MOD}(H_{21} + H_{22} + \dots + H_{2B} + L_{21} + L_{22} + \dots + L_{2B}, 2^8)</math>  The high byte of 2CH register is: <math>H_{2C} = H_{21} \text{ XOR } H_{22} \text{ XOR } \dots \text{ XOR } H_{2B} \text{ XOR } L_{21} \text{ XOR } L_{22} \text{ XOR } \dots \text{ XOR } L_{2B}</math></p> <p>The M90E26 calculates CS1 regularly. If the value of the CS1 register and the calculation by the M90E26 is different when CalStart=8765H, the CalErr[1:0] bits (SysStatus, 01H) are set and the WarnOut and IRQ pins are asserted.</p> <p><b>Note:</b> The readout value of the CS1 register is the calculation by the M90E26, which is different from what is written.</p>	Register Address	High Byte	Low Byte	21H	H <sub>21</sub>	L <sub>21</sub>	22H	H <sub>22</sub>	L <sub>22</sub>	23H	H <sub>23</sub>	L <sub>23</sub>	24H	H <sub>24</sub>	L <sub>24</sub>	25H	H <sub>25</sub>	L <sub>25</sub>	26H	H <sub>26</sub>	L <sub>26</sub>	27H	H <sub>27</sub>	L <sub>27</sub>	28H	H <sub>28</sub>	L <sub>28</sub>	29H	H <sub>29</sub>	L <sub>29</sub>	2AH	H <sub>2A</sub>	L <sub>2A</sub>	2BH	H <sub>2B</sub>	L <sub>2B</sub>
Register Address	High Byte	Low Byte																																				
21H	H <sub>21</sub>	L <sub>21</sub>																																				
22H	H <sub>22</sub>	L <sub>22</sub>																																				
23H	H <sub>23</sub>	L <sub>23</sub>																																				
24H	H <sub>24</sub>	L <sub>24</sub>																																				
25H	H <sub>25</sub>	L <sub>25</sub>																																				
26H	H <sub>26</sub>	L <sub>26</sub>																																				
27H	H <sub>27</sub>	L <sub>27</sub>																																				
28H	H <sub>28</sub>	L <sub>28</sub>																																				
29H	H <sub>29</sub>	L <sub>29</sub>																																				
2AH	H <sub>2A</sub>	L <sub>2A</sub>																																				
2BH	H <sub>2B</sub>	L <sub>2B</sub>																																				

### 5.3.2 MEASUREMENT CALIBRATION REGISTER

#### AdjStart Measurement Calibration Start Command

Address: 30H							
Type: Read/Write							
Default Value: 6886H							
15	14	13	12	11	10	9	8
AdjStart15	AdjStart14	AdjStart13	AdjStart12	AdjStart11	AdjStart10	AdjStart9	AdjStart8
7	6	5	4	3	2	1	0
AdjStart7	AdjStart6	AdjStart5	AdjStart4	AdjStart3	AdjStart2	AdjStart1	AdjStart0
Bit	Name	Description					
15 - 0	AdjStart[15:0]	<p>Measurement Calibration Start Command</p> <p>6886H: Power-on value. No measurement.</p> <p>5678H: Measurement calibration startup command. After 5678H is written to this register, registers 31H-3AH resume to their power-on values. The M90E26 starts to measure regardless of the correctness of diagnosis. The AdjErr[1:0] bits (<a href="#">SysStatus</a>, 01H) are not set and the IRQ pin does not report any interrupt.</p> <p>8765H: Check the correctness of the 31H-3AH registers. If correct, normal measurement. If not correct, measurement function is disabled, the AdjErr[1:0] bits (<a href="#">SysStatus</a>, 01H) are set and the IRQ pin reports interrupt.</p> <p>Others: No measurement. The AdjErr[1:0] bits (<a href="#">SysStatus</a>, 01H) are set and the IRQ pin reports interrupt.</p>					

#### Ugain Voltage rms Gain

Address: 31H							
Type: Read/Write							
Default Value: 6720H							
15	14	13	12	11	10	9	8
Ugain15	Ugain14	Ugain13	Ugain12	Ugain11	Ugain10	Ugain9	Ugain8
7	6	5	4	3	2	1	0
Ugain7	Ugain6	Ugain5	Ugain4	Ugain3	Ugain2	Ugain1	Ugain0
Bit	Name	Description					
15 - 0	Ugain[15:0]	<p>Voltage rms Gain. For details, please refer to related application note 46102.</p> <p><b>Note:</b> the Ugain15 bit should only be '0'</p>					

**IgainL**  
**L Line Current rms Gain**

Address: 32H  
 Type: Read/Write  
 Default Value: 7A13H

15	14	13	12	11	10	9	8
IgainL15	IgainL14	IgainL13	IgainL12	IgainL11	IgainL10	IgainL9	IgainL8
7	6	5	4	3	2	1	0
IgainL7	IgainL6	IgainL5	IgainL4	IgainL3	IgainL2	IgainL1	IgainL0

Bit	Name	Description
15 - 0	IgainL[15:0]	L Line Current rms Gain, For details, please refer to related application note 46102.

**IgainN**  
**N Line Current rms Gain**

Address: 33H  
 Type: Read/Write  
 Default Value: 7530H

15	14	13	12	11	10	9	8
IgainN15	IgainN14	IgainN13	IgainN12	IgainN11	IgainN10	IgainN9	IgainN8
7	6	5	4	3	2	1	0
IgainN7	IgainN6	IgainN5	IgainN4	IgainN3	IgainN2	IgainN1	IgainN0

Bit	Name	Description
15 - 0	IgainN[15:0]	N Line Current rms Gain. For details, please refer to related application note 46102.

**Uoffset**  
**Voltage Offset**

Address: 34H  
 Type: Read/Write  
 Default Value: 0000H

15	14	13	12	11	10	9	8
Uoffset15	Uoffset14	Uoffset13	Uoffset12	Uoffset11	Uoffset10	Uoffset9	Uoffset8
7	6	5	4	3	2	1	0
Uoffset7	Uoffset6	Uoffset5	Uoffset4	Uoffset3	Uoffset2	Uoffset1	Uoffset0

Bit	Name	Description
15 - 0	Uoffset[15:0]	Voltage offset. For calculation method, please refer to related application note 46102.

**loffsetL**  
**L Line Current Offset**

Address: 35H							
Type: Read/Write							
Default Value: 0000H							
15	14	13	12	11	10	9	8
loffsetL15	loffsetL14	loffsetL13	loffsetL12	loffsetL11	loffsetL10	loffsetL9	loffsetL8
7	6	5	4	3	2	1	0
loffsetL7	loffsetL6	loffsetL5	loffsetL4	loffsetL3	loffsetL2	loffsetL1	loffsetL0
Bit	Name	Description					
15 - 0	loffsetL[15:0]	L line current offset. For calculation method, please refer to related application note 46102.					

**loffsetN**  
**N Line Current Offset**

Address: 36H							
Type: Read/Write							
Default Value: 0000H							
15	14	13	12	11	10	9	8
loffsetN15	loffsetN14	loffsetN13	loffsetN12	loffsetN11	loffsetN10	loffsetN9	loffsetN8
7	6	5	4	3	2	1	0
loffsetN7	loffsetN6	loffsetN5	loffsetN4	loffsetN3	loffsetN2	loffsetN1	loffsetN0
Bit	Name	Description					
15 - 0	loffsetN[15:0]	N line current offset. For calculation method, please refer to related application note 46102.					

**PoffsetL**  
**L Line Active Power Offset**

Address: 37H							
Type: Read/Write							
Default Value: 0000H							
15	14	13	12	11	10	9	8
PoffsetL15	PoffsetL14	PoffsetL13	PoffsetL12	PoffsetL11	PoffsetL10	PoffsetL9	PoffsetL8
7	6	5	4	3	2	1	0
PoffsetL7	PoffsetL6	PoffsetL5	PoffsetL4	PoffsetL3	PoffsetL2	PoffsetL1	PoffsetL0
Bit	Name	Description					
15 - 0	PoffsetL[15:0]	L line active power offset. Complement, MSB is the sign bit. For calculation method, please refer to related application note 46102.					

**QoffsetL**  
**L Line Reactive Power Offset**

Address: 38H							
Type: Read/Write							
Default Value: 0000H							
15	14	13	12	11	10	9	8
QoffsetL15	QoffsetL14	QoffsetL13	QoffsetL12	QoffsetL11	QoffsetL10	QoffsetL9	QoffsetL8
7	6	5	4	3	2	1	0
QoffsetL7	QoffsetL6	QoffsetL5	QoffsetL4	QoffsetL3	QoffsetL2	QoffsetL1	QoffsetL0
Bit	Name	Description					
15 - 0	QoffsetL[15:0]	L line reactive power offset. Complement, MSB is the sign bit. For calculation method, please refer to related application note 46102.					

**PoffsetN**  
**N Line Active Power Offset**

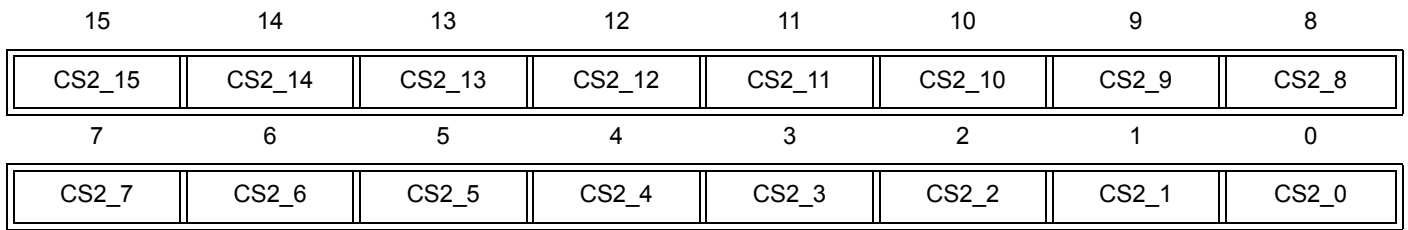
Address: 39H							
Type: Read/Write							
Default Value: 0000H							
15	14	13	12	11	10	9	8
PoffsetN15	PoffsetN14	PoffsetN13	PoffsetN12	PoffsetN11	PoffsetN10	PoffsetN9	PoffsetN8
7	6	5	4	3	2	1	0
PoffsetN7	PoffsetN6	PoffsetN5	PoffsetN4	PoffsetN3	PoffsetN2	PoffsetN1	PoffsetN0
Bit	Name	Description					
15 - 0	PoffsetN[15:0]	N line active power offset. Complement, MSB is the sign bit. For calculation method, please refer to related application note 46102.					

**QoffsetN**  
**N Line Reactive Power Offset**

Address: 3AH							
Type: Read/Write							
Default Value: 0000H							
15	14	13	12	11	10	9	8
QoffsetN15	QoffsetN14	QoffsetN13	QoffsetN12	QoffsetN11	QoffsetN10	QoffsetN9	QoffsetN8
7	6	5	4	3	2	1	0
QoffsetN7	QoffsetN6	QoffsetN5	QoffsetN4	QoffsetN3	QoffsetN2	QoffsetN1	QoffsetN0
Bit	Name	Description					
15 - 0	QoffsetN[15:0]	N line reactive power offset. Complement, MSB is the sign bit. For calculation method, please refer to related application note 46102.					

**CS2**  
**Checksum 2**

Address: 3BH  
Type: Read/Write  
Default Value: 0000H



Bit	Name	Description																																	
15 - 0	CS2[15:0]	<p>The CS2 register should be written after the 31H-3AH registers are written. Suppose the high byte and the low byte of the 31H-3AH registers are shown in below table.</p> <table border="1" style="margin: 10px auto; border-collapse: collapse;"> <thead> <tr> <th style="width: 30%;">Register Address</th> <th style="width: 15%;">High Byte</th> <th style="width: 15%;">Low Byte</th> </tr> </thead> <tbody> <tr><td style="text-align: center;">31H</td><td style="text-align: center;">H<sub>31</sub></td><td style="text-align: center;">L<sub>31</sub></td></tr> <tr><td style="text-align: center;">32H</td><td style="text-align: center;">H<sub>32</sub></td><td style="text-align: center;">L<sub>32</sub></td></tr> <tr><td style="text-align: center;">33H</td><td style="text-align: center;">H<sub>33</sub></td><td style="text-align: center;">L<sub>33</sub></td></tr> <tr><td style="text-align: center;">34H</td><td style="text-align: center;">H<sub>34</sub></td><td style="text-align: center;">L<sub>34</sub></td></tr> <tr><td style="text-align: center;">35H</td><td style="text-align: center;">H<sub>35</sub></td><td style="text-align: center;">L<sub>35</sub></td></tr> <tr><td style="text-align: center;">36H</td><td style="text-align: center;">H<sub>36</sub></td><td style="text-align: center;">L<sub>36</sub></td></tr> <tr><td style="text-align: center;">37H</td><td style="text-align: center;">H<sub>37</sub></td><td style="text-align: center;">L<sub>37</sub></td></tr> <tr><td style="text-align: center;">38H</td><td style="text-align: center;">H<sub>38</sub></td><td style="text-align: center;">L<sub>38</sub></td></tr> <tr><td style="text-align: center;">39H</td><td style="text-align: center;">H<sub>39</sub></td><td style="text-align: center;">L<sub>39</sub></td></tr> <tr><td style="text-align: center;">3AH</td><td style="text-align: center;">H<sub>3A</sub></td><td style="text-align: center;">L<sub>3A</sub></td></tr> </tbody> </table> <p>The calculation of the CS2 register is as follows:</p> <p>The low byte of 3BH register is: <math>L_{3B} = \text{MOD}(H_{31} + H_{32} + \dots + H_{3A} + L_{31} + L_{32} + \dots + L_{3A}, 2^8)</math></p> <p>The high byte of 3BH register is: <math>H_{3B} = H_{31} \text{ XOR } H_{32} \text{ XOR } \dots \text{ XOR } H_{3A} \text{ XOR } L_{31} \text{ XOR } L_{32} \text{ XOR } \dots \text{ XOR } L_{3A}</math></p> <p>The M90E26 calculates CS2 regularly. If the value of the CS2 register and the calculation by the M90E26 is different when AdjStart=8765H, the AdjErr[1:0] bits (SysStatus, 01H) are set.</p> <p><b>Note:</b> The readout value of the CS2 register is the calculation by the M90E26, which is different from what is written.</p>	Register Address	High Byte	Low Byte	31H	H <sub>31</sub>	L <sub>31</sub>	32H	H <sub>32</sub>	L <sub>32</sub>	33H	H <sub>33</sub>	L <sub>33</sub>	34H	H <sub>34</sub>	L <sub>34</sub>	35H	H <sub>35</sub>	L <sub>35</sub>	36H	H <sub>36</sub>	L <sub>36</sub>	37H	H <sub>37</sub>	L <sub>37</sub>	38H	H <sub>38</sub>	L <sub>38</sub>	39H	H <sub>39</sub>	L <sub>39</sub>	3AH	H <sub>3A</sub>	L <sub>3A</sub>
Register Address	High Byte	Low Byte																																	
31H	H <sub>31</sub>	L <sub>31</sub>																																	
32H	H <sub>32</sub>	L <sub>32</sub>																																	
33H	H <sub>33</sub>	L <sub>33</sub>																																	
34H	H <sub>34</sub>	L <sub>34</sub>																																	
35H	H <sub>35</sub>	L <sub>35</sub>																																	
36H	H <sub>36</sub>	L <sub>36</sub>																																	
37H	H <sub>37</sub>	L <sub>37</sub>																																	
38H	H <sub>38</sub>	L <sub>38</sub>																																	
39H	H <sub>39</sub>	L <sub>39</sub>																																	
3AH	H <sub>3A</sub>	L <sub>3A</sub>																																	

## 5.4 ENERGY REGISTER

### Theory of Energy Registers

The internal energy resolution is 0.01 pulse. Within 0.01 pulse, forward and reverse energy are counteracted. When energy exceeds 0.01 pulse, the respective forward/reserve energy is increased. The forward and reverse energy are not counteracted in absolute energy registers. Take the example of active energy, suppose:

T0: Forward energy is 12.34 pulses and reverse energy is 1.23 pulses;

From T0 to T1: 0.005 forward pulse appeared

From T1 to T2: 0.004 reverse pulse appeared

From T2 to T3: 0.003 reverse pulse appeared

	T0	T1	T2	T3
Forward Active Pulse	12.34	12.345	12.341	12.34
Reserve Active Pulse	1.23	1.23	1.23	1.232
Absolute Active Pulse	13.57	13.575	13.579	13.582

When forward/reverse energy or absolute energy reaches 0.1 pulse, the respective register is updated. When forward/reverse energy or absolute energy reaches 1 pulse, CFX pins output pulse and the REVP/REVQ bits ([EnStatus](#), 46H) are updated.

Absolute energy might be more than the sum of forward and reverse energies. If “consistency” is required between absolute energy and forward/reverse energy in system application, absolute energy can be obtained by calculating the readout of the forward and reverse energy registers.

### APenergy Forward Active Energy

Address: 40H							
Type: Read/Clear							
Default Value: 0000H							
15	14	13	12	11	10	9	8
APenergy15	APenergy14	APenergy13	APenergy12	APenergy11	APenergy10	APenergy9	APenergy8
7	6	5	4	3	2	1	0
APenergy7	APenergy6	APenergy5	APenergy4	APenergy3	APenergy2	APenergy1	APenergy0
Bit	Name	Description					
15 - 0	APenergy[15:0]	Forward active energy; cleared after read. Data format is XXXX.X pulses. Resolution is 0.1 pulse. Maximum is 6553.5 pulses. When the accumulation of this register has achieved FFFFH, the continuation accumulation will return to 0000H.					

## ANenergy Reverse Active Energy

Address: 41H  
Type: Read/Clear  
Default Value: 0000H

15	14	13	12	11	10	9	8
ANenergy15	ANenergy14	ANenergy13	ANenergy12	ANenergy11	ANenergy10	ANenergy9	ANenergy8
7	6	5	4	3	2	1	0
ANenergy7	ANenergy6	ANenergy5	ANenergy4	ANenergy3	ANenergy2	ANenergy1	ANenergy0

Bit	Name	Description
15 - 0	ANenergy[15:0]	Reverse active energy, cleared after read. Data format is XXXX.X pulses. Resolution is 0.1 pulse. Maximum is 6553.5 pulses. When the accumulation of this register has achieved FFFFH, the continuation accumulation will return to 0000H.

## ATenergy Absolute Active Energy

Address: 42H  
Type: Read/Clear  
Default Value: 0000H

15	14	13	12	11	10	9	8
ATenergy15	ATenergy14	ATenergy13	ATenergy12	ATenergy11	ATenergy10	ATenergy9	ATenergy8
7	6	5	4	3	2	1	0
ATenergy7	ATenergy6	ATenergy5	ATenergy4	ATenergy3	ATenergy2	ATenergy1	ATenergy0

Bit	Name	Description
15 - 0	ATenergy[15:0]	Absolute active energy, cleared after read. Data format is XXXX.X pulses. Resolution is 0.1 pulse. Maximum is 6553.5 pulses. When the accumulation of this register has achieved FFFFH, the continuation accumulation will return to 0000H.



## RPenergy Forward (Inductive) Reactive Energy

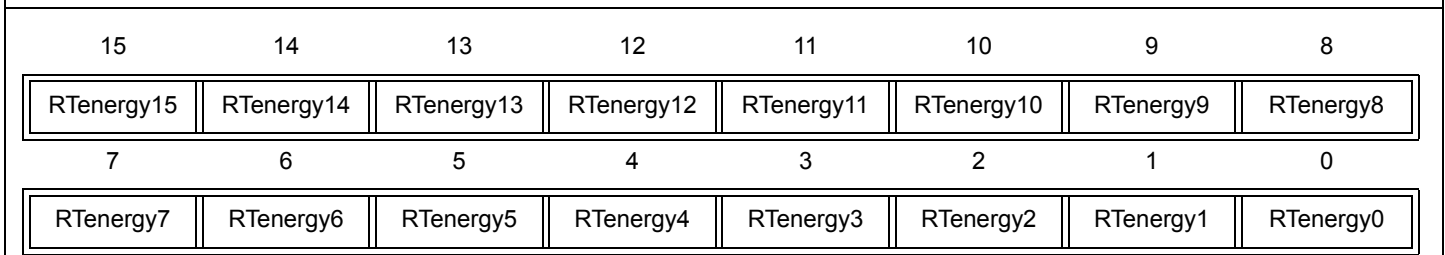
Address: 43H							
Type: Read/Clear							
Default Value: 0000H							
15	14	13	12	11	10	9	8
RPenergy15	RPenergy14	RPenergy13	RPenergy12	RPenergy11	RPenergy10	RPenergy9	RPenergy8
7	6	5	4	3	2	1	0
RPenergy7	RPenergy6	RPenergy5	RPenergy4	RPenergy3	RPenergy2	RPenergy1	RPenergy0
Bit	Name	Description					
15 - 0	RPenergy[15:0]	Forward (inductive) reactive energy, cleared after read. Data format is XXXX.X pulses. Resolution is 0.1 pulse. Maximum is 6553.5 pulses. When the accumulation of this register has achieved FFFFH, the continuation accumulation will return to 0000H.					

## RNenergy Reverse (Capacitive) Reactive Energy

Address: 44H							
Type: Read/Clear							
Default Value: 0000H							
15	14	13	12	11	10	9	8
RNenergy15	RNenergy14	RNenergy13	RNenergy12	RNenergy11	RNenergy10	RNenergy9	RNenergy8
7	6	5	4	3	2	1	0
RNenergy7	RNenergy6	RNenergy5	RNenergy4	RNenergy3	RNenergy2	RNenergy1	RNenergy0
Bit	Name	Description					
15 - 0	RNenergy[15:0]	Reverse (capacitive) reactive energy, cleared after read. Data format is XXXX.X pulses. Resolution is 0.1 pulse. Maximum is 6553.5 pulses. When the accumulation of this register has achieved FFFFH, the continuation accumulation will return to 0000H.					

## RTenergy Absolute Reactive Energy

Address: 45H  
Type: Read/Clear  
Default Value: 0000H



Bit	Name	Description
15 - 0	RTenergy[15:0]	Absolute reactive energy, cleared after read. Data format is XXXX.X pulses. Resolution is 0.1 pulse. Maximum is 6553.5 pulses. When the accumulation of this register has achieved FFFFH, the continuation accumulation will return to 0000H.

## EnStatus Metering Status

Address: 46H  
Type: Read  
Default Value After Power On: C800H

15	14	13	12	11	10	9	8
Qnoload	Pnoload	RevQ	RevP	Lline	-	-	-
7	6	5	4	3	2	1	0
-	-	-	-	-	-	LNMode1	LNMode0

Bit	Name	Description																									
15	Qnoload	This bit indicates whether the M90E26 is in reactive no-load status. 0: not reactive no-load state 1: reactive no-load state																									
14	Pnoload	This bit indicates whether the M90E26 is in active no-load status. 0: not active no-load state 1: active no-load state																									
13	RevQ	This bit indicates the direction of the last CF2 (reactive output). 0: reactive forward 1: reactive reverse <b>Note:</b> This bit is always '0' when the CF2 output is configured to be absolute energy.																									
12	RevP	This bit indicates the direction of the last CF1 (active output). 0: active forward 1: active reverse <b>Note:</b> This bit is always '0' when the CF1 output is configured to be absolute energy.																									
11	Lline	This bit indicates the current metering line in anti-tampering mode. 0: N line 1: L line																									
10 - 2	-	Reserved.																									
1 - 0	LNMode[1:0]	These bits indicate the configuration of MMD1 and MMD0 pins. Their relationship is as follows: <table border="1" style="margin-left: 20px;"> <thead> <tr> <th>MMD1</th><th>MMD0</th><th>LNmod1</th><th>LNmod0</th><th>L/N Metering Mode</th></tr> </thead> <tbody> <tr> <td>0</td><td>0</td><td>0</td><td>0</td><td>anti-tampering mode (larger power)</td></tr> <tr> <td>0</td><td>1</td><td>0</td><td>1</td><td>L line mode (fixed L line)</td></tr> <tr> <td>1</td><td>0</td><td>1</td><td>0</td><td>L+N mode (applicable for single-phase three-wire system)</td></tr> <tr> <td>1</td><td>1</td><td>1</td><td>1</td><td>Flexible mode (Line specified by the LNSEL bit (MMode, 2BH))</td></tr> </tbody> </table>	MMD1	MMD0	LNmod1	LNmod0	L/N Metering Mode	0	0	0	0	anti-tampering mode (larger power)	0	1	0	1	L line mode (fixed L line)	1	0	1	0	L+N mode (applicable for single-phase three-wire system)	1	1	1	1	Flexible mode (Line specified by the LNSEL bit (MMode, 2BH))
MMD1	MMD0	LNmod1	LNmod0	L/N Metering Mode																							
0	0	0	0	anti-tampering mode (larger power)																							
0	1	0	1	L line mode (fixed L line)																							
1	0	1	0	L+N mode (applicable for single-phase three-wire system)																							
1	1	1	1	Flexible mode (Line specified by the LNSEL bit (MMode, 2BH))																							

## 5.5 MEASUREMENT REGISTER

### Irms L Line Current rms

Address: 48H							
Type: Read							
Default Value: 0000H							
15	14	13	12	11	10	9	8
Irms15	Irms14	Irms13	Irms12	Irms11	Irms10	Irms9	Irms8
7	6	5	4	3	2	1	0
Irms7	Irms6	Irms5	Irms4	Irms3	Irms2	Irms1	Irms0
Bit	Name	Description					
15 - 0	Irms[15:0]	L line current rms. Data format is XX.XXX, which corresponds to 0 ~ 65.535A. For cases when the current exceeds 65.535A, it is suggested to be handled by MCU in application. For example, the register value can be calibrated to 1/2 of the actual value during calibration, then multiplied by 2 in application.					

### Urms Voltage rms

Address: 49H							
Type: Read							
Default Value: 0000H							
15	14	13	12	11	10	9	8
Urms15	Urms14	Urms13	Urms12	Urms11	Urms10	Urms9	Urms8
7	6	5	4	3	2	1	0
Urms7	Urms6	Urms5	Urms4	Urms3	Urms2	Urms1	Urms0
Bit	Name	Description					
15 - 0	Urms[15:0]	Voltage rms. Data format is XXX.XX, which corresponds to 0 ~ 655.35V.					

**Pmean**  
**L Line Mean Active Power**

Address: 4AH							
Type: Read							
Default Value: 0000H							
15	14	13	12	11	10	9	8
Pmean15	Pmean14	Pmean13	Pmean12	Pmean11	Pmean10	Pmean9	Pmean8
7	6	5	4	3	2	1	0
Pmean7	Pmean6	Pmean5	Pmean4	Pmean3	Pmean2	Pmean1	Pmean0
Bit	Name	Description					
15 - 0	Pmean[15:0]	L line mean active power. Complement, MSB is the sign bit. Data format is XX.XXX, which corresponds to -32.768~+32.768kW. If current is specially handle by MCU, the power of the M90E26 and the actual power have the same multiple relationship as the current.					

**Qmean**  
**L Line Mean Reactive Power**

Address: 4BH							
Type: Read							
Default Value: 0000H							
15	14	13	12	11	10	9	8
Qmean15	Qmean14	Qmean13	Qmean12	Qmean11	Qmean10	Qmean9	Qmean8
7	6	5	4	3	2	1	0
Qmean7	Qmean6	Qmean5	Qmean4	Qmean3	Qmean2	Qmean1	Qmean0
Bit	Name	Description					
15 - 0	Qmean[15:0]	L line mean reactive power. Complement, MSB is the sign bit. Data format is XX.XXX, which corresponds to -32.768~+32.768kvar. If current is specially handled by MCU, the power of the M90E26 and the actual power have the same multiple relationship as the current.					

**Freq**  
**Voltage Frequency**

Address: 4CH							
Type: Read							
Default Value: 0000H							
15	14	13	12	11	10	9	8
Freq15	Freq14	Freq13	Freq12	Freq11	Freq10	Freq9	Freq8
7	6	5	4	3	2	1	0
Freq7	Freq6	Freq5	Freq4	Freq3	Freq2	Freq1	Freq0
Bit	Name	Description					
15 - 0	Freq[15:0]	Voltage frequency. Data format is XX.XX. Frequency measurement range is 45.00~65.00Hz. For example, 1388H corresponds to 50.00Hz.					

**PowerF**  
**L Line Power Factor**

Address: 4DH							
Type: Read							
Default Value: 0000H							
15	14	13	12	11	10	9	8
PowerF15	PowerF14	PowerF13	PowerF12	PowerF11	PowerF10	PowerF9	PowerF8
7	6	5	4	3	2	1	0
PowerF7	PowerF6	PowerF5	PowerF4	PowerF3	PowerF2	PowerF1	PowerF0
Bit	Name	Description					
15 - 0	PowerF[15:0]	L line power factor. Signed, MSB is the sign bit. Data format is X.XXX. Power factor range: -1.000~+1.000. For example, 03E8H corresponds to the power factor of 1.000, and 83E8H corresponds to the power factor of -1.000.					

**Pangle**  
Phase Angle between Voltage and L Line Current

Address: 4EH							
Type: Read							
Default Value: 0000H							
15	14	13	12	11	10	9	8
Pangle15	Pangle14	Pangle13	Pangle12	Pangle11	Pangle10	Pangle9	Pangle8
7	6	5	4	3	2	1	0
Pangle7	Pangle6	Pangle5	Pangle4	Pangle3	Pangle2	Pangle1	Pangle0
Bit	Name	Description					
15 - 0	Pangle[15:0]	L line voltage current angle. Signed, MSB is the sign bit. Data format is XXX.X. Angle range: -180.0~+180.0 degree.					

**Smean**  
L Line Mean Apparent Power

Address: 4FH							
Type: Read							
Default Value: 0000H							
15	14	13	12	11	10	9	8
Smean15	Smean14	Smean13	Smean12	Smean11	Smean10	Smean9	Smean8
7	6	5	4	3	2	1	0
Smean7	Smean6	Smean5	Smean4	Smean3	Smean2	Smean1	Smean0
Bit	Name	Description					
15 - 0	Smean[15:0]	L line mean apparent power. Complement, MSB is always '0'. Data format is XX.XXX, which corresponds to 0~+32.767kVA. If current is specially handled by MCU, the power of the M90E26 and the actual power have the same multiple relationship as the current.					

**Irms2**  
**N Line Current rms**

Address: 68H							
Type: Read							
Default Value: 0000H							
15	14	13	12	11	10	9	8
Irms2_15	Irms2_14	Irms2_13	Irms2_12	Irms2_11	Irms2_10	Irms2_9	Irms2_8
7	6	5	4	3	2	1	0
Irms2_7	Irms2_6	Irms2_5	Irms2_4	Irms2_3	Irms2_2	Irms2_1	Irms2_0
Bit	Name	Description					
15 - 0	Irms2[15:0]	N line current rms. Data format is XX.XXX, which corresponds to 65.535A. For cases when the current exceeds 65.535A, it is suggested to be handled by MCU in application. For example, the register value can be calibrated to 1/2 of the actual value during calibration, then multiplied by 2 in application.					

**Pmean2**  
**N Line Mean Active Power**

Address: 6AH							
Type: Read							
Default Value: 0000H							
15	14	13	12	11	10	9	8
Pmean2_15	Pmean2_14	Pmean2_13	Pmean2_12	Pmean2_11	Pmean2_10	Pmean2_9	Pmean2_8
7	6	5	4	3	2	1	0
Pmean2_7	Pmean2_6	Pmean2_5	Pmean2_4	Pmean2_3	Pmean2_2	Pmean2_1	Pmean2_0
Bit	Name	Description					
15 - 0	Pmean2[15:0]	N line mean active power. Complement, MSB is the sign bit. Data format is XX.XXX, which corresponds to -32.768~+32.767kW. If current is specially handled by MCU, the power of the M90E26 and the actual power have the same multiple relationship as the current.					



**Qmean2**  
**N Line Mean Reactive Power**

Address: 6BH							
Type: Read							
Default Value: 0000H							
15	14	13	12	11	10	9	8
Qmean2_15	Qmean2_14	Qmean2_13	Qmean2_12	Qmean2_11	Qmean2_10	Qmean2_9	Qmean2_8
7	6	5	4	3	2	1	0
Qmean2_7	Qmean2_6	Qmean2_5	Qmean2_4	Qmean2_3	Qmean2_2	Qmean2_1	Qmean2_0
Bit	Name	Description					
15 - 0	Qmean2[15:0]	N line mean reactive power. Complement, MSB is the sign bit. Data format is XX.XXX, which corresponds to -32.768~+32.767kvar. If current is specially handled by MCU, the power of M90E26 and the actual power have the same multiple relationship as the current.					

**PowerF2**  
**N Line Power Factor**

Address: 6DH							
Type: Read							
Default Value: 0000H							
15	14	13	12	11	10	9	8
PowerF2_15	PowerF2_14	PowerF2_13	PowerF2_12	PowerF2_11	PowerF2_10	PowerF2_9	PowerF2_8
7	6	5	4	3	2	1	0
PowerF2_7	PowerF2_6	PowerF2_5	PowerF2_4	PowerF2_3	PowerF2_2	PowerF2_1	PowerF2_0
Bit	Name	Description					
15 - 0	PowerF2[15:0]	N line power factor. Signed, MSB is the sign bit. Data format is X.XXX. Power factor range: -1.000~+1.000. For example, 03E8H corresponds to the power factor of 1.000, and 83E8H corresponds to the power factor of -1.000.					

**Pangle2**  
**Phase Angle between Voltage and N Line Current**

Address: 6EH							
Type: Read							
Default Value: 0000H							
15	14	13	12	11	10	9	8
Pangle2_15	Pangle2_14	Pangle2_13	Pangle2_12	Pangle2_11	Pangle2_10	Pangle2_9	Pangle2_8
7	6	5	4	3	2	1	0
Pangle2_7	Pangle2_6	Pangle2_5	Pangle2_4	Pangle2_3	Pangle2_2	Pangle2_1	Pangle2_0
Bit	Name	Description					
15 - 0	Pangle2[15:0]	N line voltage current angle Signed, MSB is the sign bit. Data format is XXX.X. Angle range: -180.0~+180.0 degree.					

**Smean2**  
**N Line Mean Apparent Power**

Address: 6FH							
Type: Read							
Default Value: 0000H							
15	14	13	12	11	10	9	8
Smean2_15	Smean2_14	Smean2_13	Smean2_12	Smean2_11	Smean2_10	Smean2_9	Smean2_8
7	6	5	4	3	2	1	0
Smean2_7	Smean2_6	Smean2_5	Smean2_4	Smean2_3	Smean2_2	Smean2_1	Smean2_0
Bit	Name	Description					
15 - 0	Smean2[15:0]	N line mean apparent power Complement, MSB is always '0'. Data format is XX.XXX, which corresponds to 0~+32.767kVA. If current is specially handled by MCU, the power of M90E26 and the actual power have the same multiple relationship as the current.					

## 6 ELECTRICAL SPECIFICATION

### 6.1 ELECTRICAL SPECIFICATION

Parameters and Description	Min.	Typical	Max.	Unit	Test Conditions and Comments
<b>Accuracy</b>					
DC Power Supply Rejection Ratio (PSRR)			±0.1	%	VDD=3.3V±0.3V, 100Hz, I=5A, V=220V, L line shunt resistor 150μΩ, N line CT 1000:1, sampling resistor 4.8Ω
AC Power Supply Rejection Ratio (PSRR)			±0.1	%	VDD=3.3V superimposes 400mVrms, 100Hz Sinusoidal signal, I=5A, V=220V, L line shunt resistor 150μΩ, N line CT 1000:1, sampling resistor 4.8Ω
Active Energy Error (Dynamic Range 5000:1)			±0.1	%	L line current gain is '24'; N line current gain is '1'
Measurement Error			±0.5	%	
<b>Channel Characteristics</b>					
Sampling Frequency		8		kHz	
Harmonic Metering (active and reactive) Bandwidth		1.1		kHz	1% total energy metering error limit; V-harmonic ≤ 10% of fundamental; I-harmonic ≤ 40% of fundamental
Line Frequency		47.5-62.5		Hz	Active energy metering
		47.5-52.5		Hz	Reactive energy metering
<b>Analog Input</b>					
L Line Current Channel Differential Input	5μ		25m	Vrms	PGA gain is '24'
	7.5μ		37.5m		PGA gain is '16'
	15μ		75m		PGA gain is '8'
	30μ		150m		PGA gain is '4'
	120μ		600m		PGA gain is '1'
N Line Current Channel Differential Input	120μ		600m	Vrms	DPGA gain is '1'
Voltage Channel Differential Input	120μ		600m	Vrms	DPGA gain is '1'
L Line Current Channel Input Impedance		1		kΩ	single-ended impedance
N Line Current Channel Input Impedance		400		kΩ	single-ended impedance
Voltage Channel Input Impedance		400		kΩ	single-ended impedance
L Line Current Channel DC Offset			10	mV	PGA gain is '24'
N Line Current Channel DC Offset			10	mV	
Voltage Channel DC Offset			10	mV	
<b>Reference</b>					
On-Chip Reference		1.26		V	
Reference Voltage Temperature Coefficient		±15	±40	ppm/°C	
<b>Clock</b>					
Crystal or External Clock		8.192		MHz	The Accuracy of crystal or external clock is ±100 ppm
<b>SPI/UART Interface</b>					
SPI Interface Bit Rate	200		160k	bps	
UART Interface Baud Rate		2400 or 9600		bps	Baud rate of 2400 and 9600 is automatically detected.
UART Interface Tolerance		±2		%	

Pulse Width					
CFx Pulse Width		80		ms	If T ≥ 160 ms, width=80ms; if T<160 ms, width = 0.5T. Refer to Section 6.6
ESD					
Charged Device Model (CDM)	500			V	JESD22-C101
Human Body Model (HBM)	2000			V	JESD22-A114
Latch Up			± 100	mA	JESD78A
Latch Up			4.95	V	JESD78A
Operating Conditions					
AVDD, Analog Power Supply	2.8	3.3	3.6	V	Metering precision guaranteed within 3.0V~3.6V.
DVDD, Digital Power Supply	2.8	3.3	3.6	V	Metering precision guaranteed within 3.0V~3.6V.
I <sub>AVDD</sub> , Analog Current		3.4		mA	VDD=3.3V, T=25°C, Vref decoupling capacitor is 1μF.
I <sub>DVDD</sub> , Digital Current		2.4		mA	VDD=3.3V, T=25°C, Vref decoupling capacitor is 1μF.
DC Characteristics					
Digital Input High Level (pin 1, 4, 24, 25, 27 and 28)	2.0		5.5	V	VDD=3.3V±10%,
Digital Input High Level (pin 9, 12 and 22)	2.0		VDD+0.3	V	VDD=3.3V±10%
Digital Input Low Level			0.8	V	VDD=3.3V±10%
Digital Input Leakage Current			±1	μA	VDD=3.6V, VI=VDD or GND
Digital Output Low Level			0.4	V	VDD=3.3V, I <sub>OL</sub> =10mA
Digital Output High Level	2.4			V	VDD=3.3V, I <sub>OH</sub> =-10mA
Digital Output Low Level (OSCO)			0.4	V	VDD=3.3V, I <sub>OL</sub> =1mA
Digital Output High Level (OSCO)	2.4			V	VDD=3.3V, I <sub>OH</sub> =-1mA

## 6.2 SPI INTERFACE TIMING

The SPI interface timing is as shown in Figure-10, Figure-11 and Table-11.

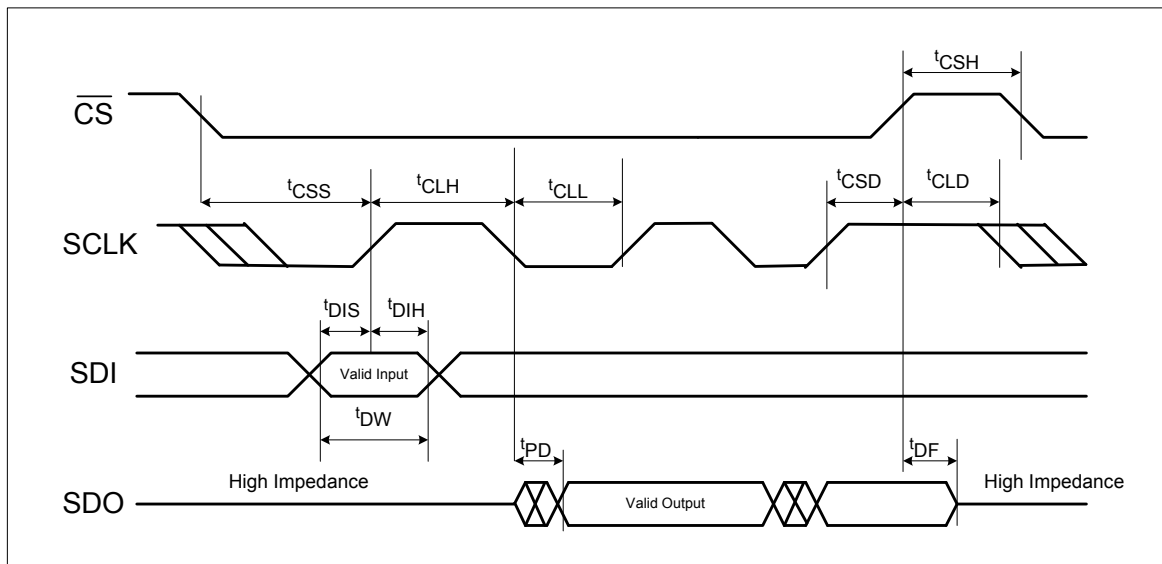


Figure-10 4-Wire SPI Timing Diagram

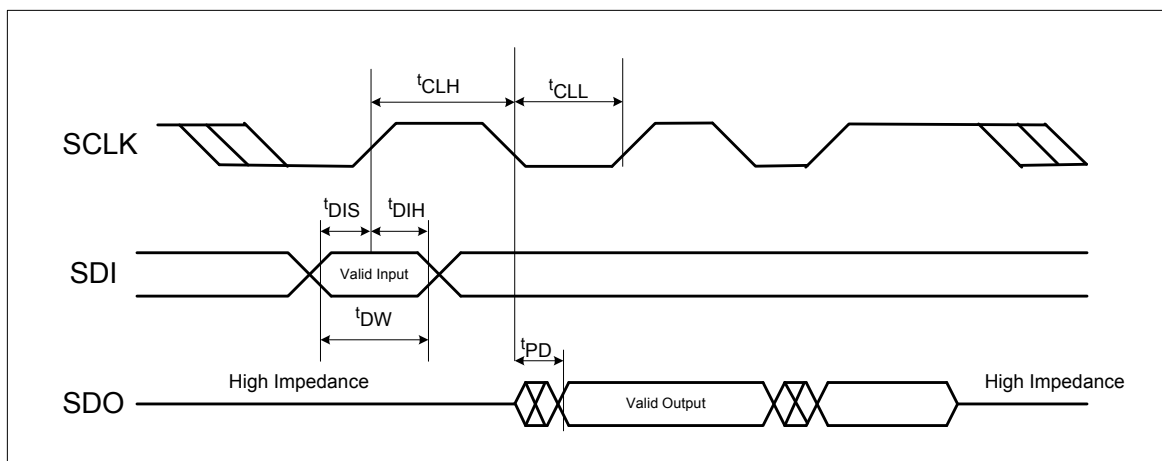


Figure-11 3-Wire SPI Timing Diagram

Table-11 SPI Timing Specification

Symbol	Description	Min.	Typical	Max.	Unit
$t_{CSH}^{note\ 1}$	Minimum $\overline{CS}$ High Level Time	$30T^{note\ 2}+10$			ns
$t_{CSS}^{note\ 1}$	$\overline{CS}$ Setup Time	$3T+10$			ns
$t_{CSD}^{note\ 1}$	$\overline{CS}$ Hold Time	$30T+10$			ns
$t_{CLD}^{note\ 1}$	Clock Disable Time	$1T$			ns
$t_{CLH}$	Clock High Level Time	$30T+10$			ns
$t_{CLL}$	Clock Low Level Time	$16T+10$			ns
$t_{DIS}$	Data Setup Time	$3T+10$			ns

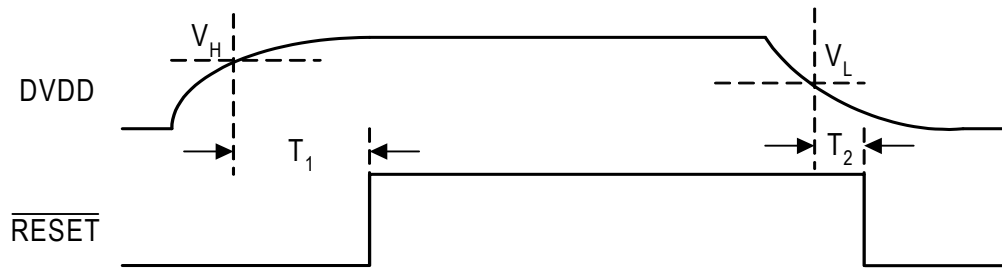
**Table-11 SPI Timing Specification (Continued)**

$t_{DIH}$	Data Hold Time	22T+10			ns
$t_{DW}$	Minimum Data Width	30T+10			ns
$t_{PD}$	Output Delay	14T		15T+20	ns
$t_{DF}^{note\ 1}$	Output Disable Time			16T+20	ns

**Note:**

1. Not applicable for three-wire SPI.
2. T means SCLK cycle. T=122ns. (Typical value for four-wire SPI)

**6.3 POWER ON RESET TIMING**



**Figure-12 Power On Reset Timing Diagram**

**Table-12 Power On Reset Specification**

Symbol	Description	Min.	Typical	Max.	Unit
$V_H$	Power On Trigger Voltage	2.375	2.5	2.625	V
$V_L$	Power Off Trigger Voltage	2.185	2.3	2.415	V
$V_H-V_L$	Hysteretic Voltage Difference		0.2		V
$T_1$	Delay Time After Power On	5			ms
$T_2$	Delay Time After Power Off	10			$\mu$ s

## 6.4 ZERO-CROSSING TIMING

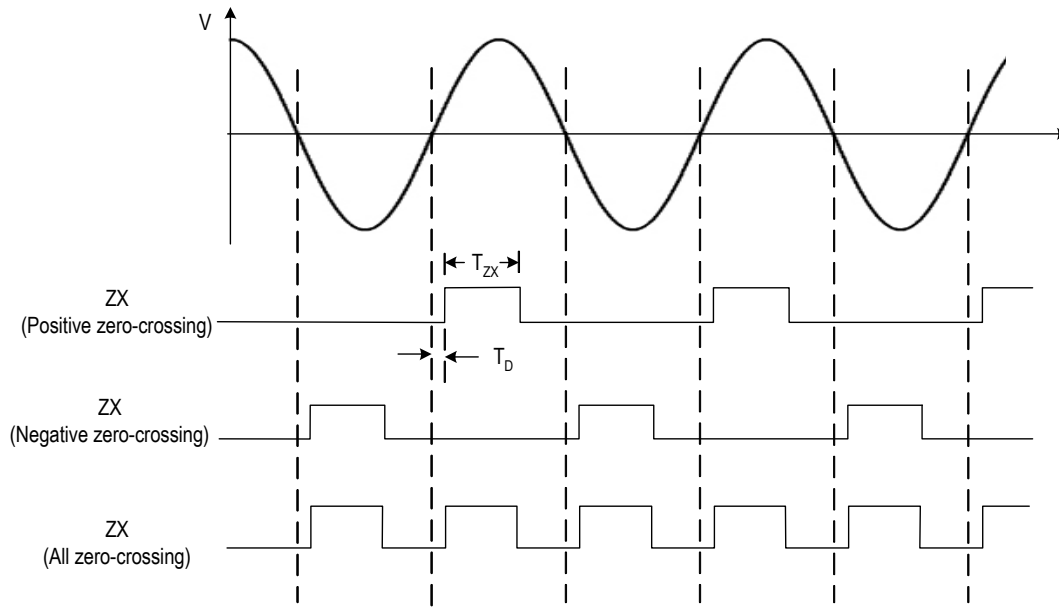


Figure-13 Zero-Crossing Timing Diagram

Table-13 Zero-Crossing Specification

Symbol	Description	Min.	Typical	Max.	Unit
$T_{ZX}$	High Level Width		5		ms
$T_D$	Delay Time			0.5	ms

## 6.5 VOLTAGE SAG TIMING

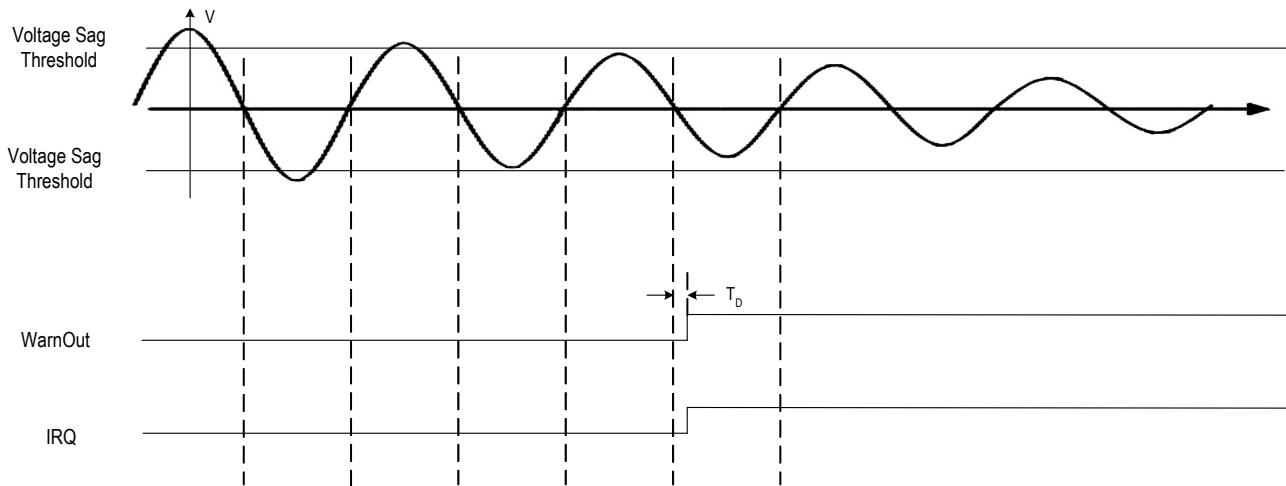


Figure-14 Voltage Sag Timing Diagram

Table-14 Voltage Sag Specification

Symbol	Description	Min.	Typical	Max.	Unit
$T_D$	Delay Time			0.5	ms

## 6.6 PULSE OUTPUT

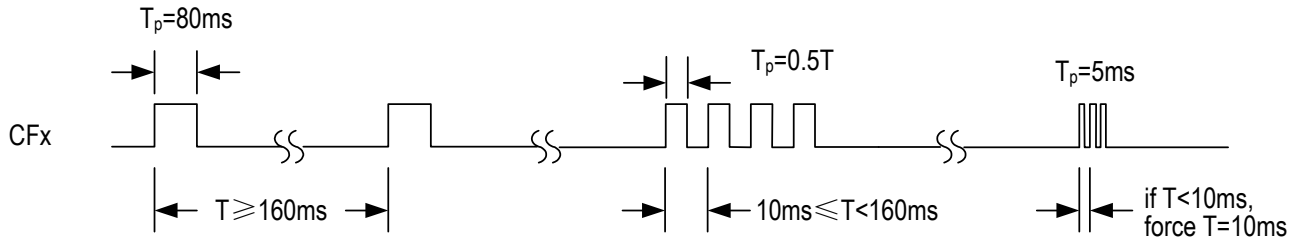


Figure-15 Output Pulse Width

## 6.7 ABSOLUTE MAXIMUM RATING

Parameter	Maximum Limit
Relative Voltage Between AVDD and AGND	-0.3V~3.7V
Relative Voltage Between DVDD and DGND	-0.3V~3.7V
Analog Input Voltage (I1P, I1N, I2P, I2N, VP, VN)	-1V~VDD
Digital Input Voltage	-0.3V~VDD+2.6V
Operating Temperature Range	-40~85 °C
Maximum Junction Temperature	150 °C

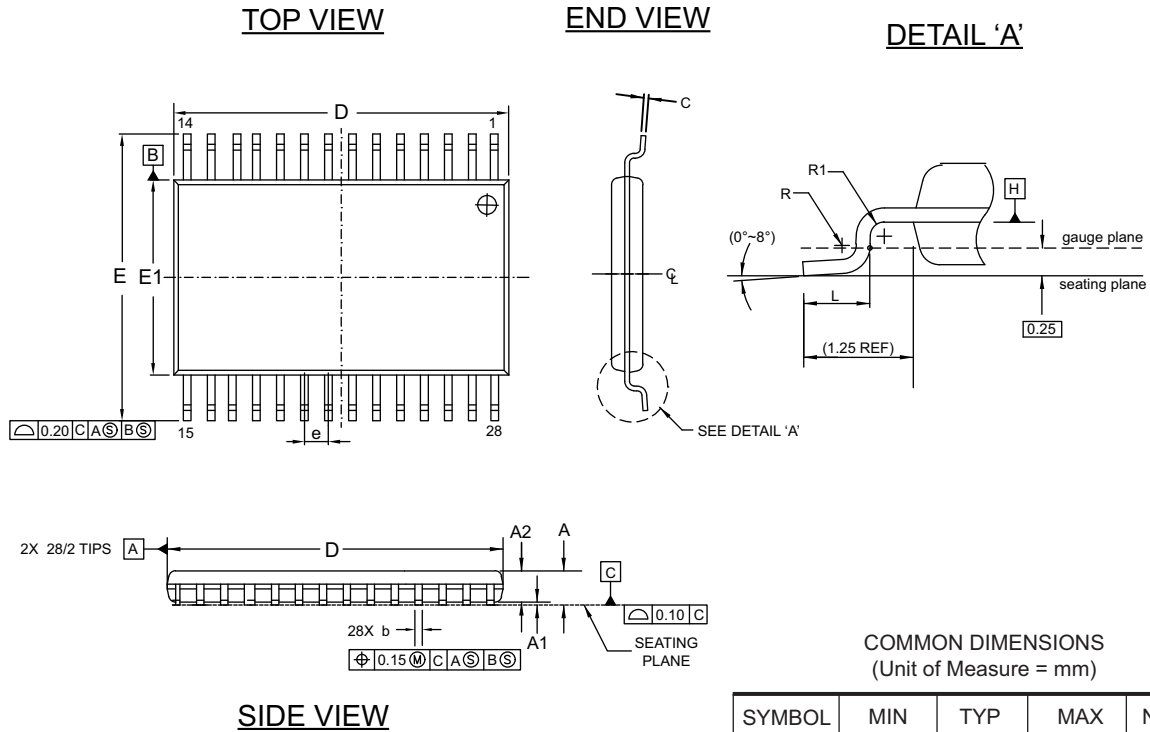
Package Type	Thermal Resistance $\theta_{JA}$	Unit	Condition
Green SSOP28	49	°C/W	No Airflow



## ORDERING INFORMATION

Atmel Ordering Code	Package	Carrier	Temperature Range
ATM90E26-YU-R	SSOP28	Tape&Reel	Industry (-40°C to +85°C)
ATM90E26-YU-B	SSOP28	Tube	Industry (-40°C to +85°C)

# Packaging Drawings



COMMON DIMENSIONS  
(Unit of Measure = mm)

SYMBOL	MIN	TYP	MAX	NOTE
A	1.73	1.86	1.99	
A1	0.05	0.13	0.21	
A2	1.68	1.73	1.78	
b	0.25	-	0.38	3
c	0.13	-	0.20	
D	10.07	10.20	10.33	2
E	7.65	7.80	7.90	
E1	5.20	5.30	5.38	2
e	0.65 BSC			
L	0.55	0.75	0.95	
R	0.09	-	-	
R1	0.09	-	-	

**NOTE:**

1. Refer to JEDEC drawing MO-150, Variation AH.
2. 'D' and 'E1' dimensions do not include mold flash or protrusions, but do include mold mismatch and are measured at datum plane 'H'. Mold flash or protrusion shall not exceed 0.20mm per side.
3. Dimension 'b' does not include dambar protrusion/intrusion. Allowable dambar protrusion shall be 0.13mm total in excess of b dimension at maximum material condition. Dambar intrusion shall not reduce dimension b by more than 0.07mm at least material condition.

2/25/14

**Atmel**

Package Drawing Contact:  
packagedrawings@atmel.com

**TITLE**

28Y, 28-lead 5.3 mm Body Width, 0.65mm pitch, 1.25mm lead length, Plastic Shrink Small Outline Package (SSOP)

**GPC**

TBF

**DRAWING NO.**

28Y

**REV.**

B

## REVISION HISTORY

Doc. Rev.	Date	Comments
46002A	4/18/2014	Initial document release.
46002B	11/7/2014	Removed Preliminary.



Enabling Unlimited Possibilities®



**Atmel Corporation** 1600 Technology Drive, San Jose, CA 95110 USA T: (+1)(408) 441.0311 F: (+1)(408) 436.4200 | [www.atmel.com](http://www.atmel.com)

© 2014 Atmel Corporation. All rights reserved. / Rev.: Atmel-46002B-SE-M90E26-Datasheet\_110714.

Atmel®, Atmel logo and combinations thereof, Enabling Unlimited Possibilities®, and others are registered trademarks or trademarks of Atmel Corporation or its subsidiaries. Other terms and product names may be trademarks of others.

**DISCLAIMER:** The information in this document is provided in connection with Atmel products. No license, express or implied, by estoppel or otherwise, to any intellectual property right is granted by this document or in connection with the sale of Atmel products. EXCEPT AS SET FORTH IN THE ATMEL TERMS AND CONDITIONS OF SALES LOCATED ON THE ATMEL WEBSITE, ATMEL ASSUMES NO LIABILITY WHATSOEVER AND DISCLAIMS ANY EXPRESS, IMPLIED OR STATUTORY WARRANTY RELATING TO ITS PRODUCTS INCLUDING, BUT NOT LIMITED TO, THE IMPLIED WARRANTY OF MERCHANTABILITY, FITNESS FOR A PARTICULAR PURPOSE, OR NON-INFRINGEMENT. IN NO EVENT SHALL ATMEL BE LIABLE FOR ANY DIRECT, INDIRECT, CONSEQUENTIAL, PUNITIVE, SPECIAL OR INCIDENTAL DAMAGES (INCLUDING, WITHOUT LIMITATION, DAMAGES FOR LOSS AND PROFITS, BUSINESS INTERRUPTION, OR LOSS OF INFORMATION) ARISING OUT OF THE USE OR INABILITY TO USE THIS DOCUMENT, EVEN IF ATMEL HAS BEEN ADVISED OF THE POSSIBILITY OF SUCH DAMAGES. Atmel makes no representations or warranties with respect to the accuracy or completeness of the contents of this document and reserves the right to make changes to specifications and products descriptions at any time without notice. Atmel does not make any commitment to update the information contained herein. Unless specifically provided otherwise, Atmel products are not suitable for, and shall not be used in, automotive applications. Atmel products are not intended, authorized, or warranted for use as components in applications intended to support or sustain life.

**SAFETY-CRITICAL, MILITARY, AND AUTOMOTIVE APPLICATIONS DISCLAIMER:** Atmel products are not designed for and will not be used in connection with any applications where the failure of such products would reasonably be expected to result in significant personal injury or death ("Safety-Critical Applications") without an Atmel officer's specific written consent. Safety-Critical Applications include, without limitation, life support devices and systems, equipment or systems for the operation of nuclear facilities and weapons systems. Atmel products are not designed nor intended for use in military or aerospace applications or environments unless specifically designated by Atmel as military-grade. Atmel products are not designed nor intended for use in automotive applications unless specifically designated by Atmel as automotive-grade.