



M9130 Int. Rosc
M9131 Ext. Rosc
CDS, OSH & ON/OFF

M9130 內建振盪
M9131 可調頻率
128 音符音樂 IC

MELODY	
M9130/M9131	

FEATURES 功能敘述

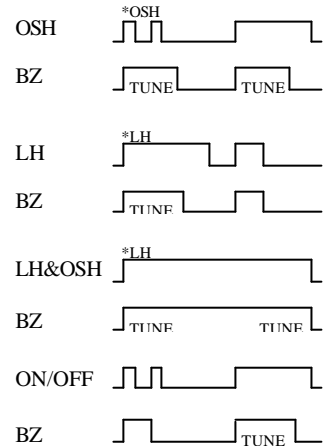
Separate LED and BUZZER driver.

MODE : ONE-SHOT

LEVEL-HOLD 1

LEVEL-HOLD 2

ON/OFF (Suffix-X)



APPLICATION 產品應用

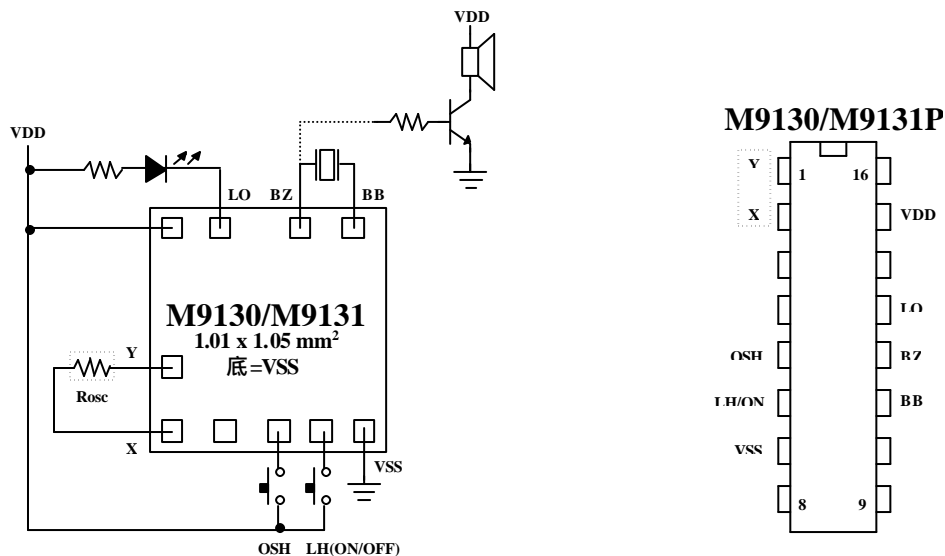
Toys, Key chain etc.

ELECTRICAL CHARACTERISTICS 電氣規格

(@ $V_{DD}=1.5V$ unless otherwise specified)

Characteristics	Sym.	Min.	Typ.	Max.	Unit	REMARKS
工作電壓 Operating Voltage	V_{DD}		1.5	3.5	V	
工作電流 Operating Current	I_{OP}		0.1	0.5	mA	No load
靜態電流 Quiescent Current	I_{SB}		1	5	μA	
推動電流 BZ Driving Current	I_O	1			mA	@ $V_{DS}=1V$
推動電流 LO Driving Current	I_{OL}	6			mA	@ $V_{DS}=1.2V$
振盪頻率 Oscillator Frequency	F_{OSC}		100		KHz	External $\pm 30\%$, Rosc=200K
工作溫度 Operating Temperature	Temp.	0	25	60		

APPLICATION DIAGRAM 參考電路圖



*All specs and applications shown above subject to change without prior notice.
(以上電路及規格僅供參考,本公司得逕行修正)



一華半導體股份有限公司
MOSDESIGN SEMICONDUCTOR CORP.

TAIPEI : TEL : 886-2- 22783733

FAX : 886-2- 22783633

H.K. TEL : 852- 27569109

FAX : 852- 27566961

M9130 Int. Rosc

M9131 Ext. Rosc

CDS, OSH & ON/OFF

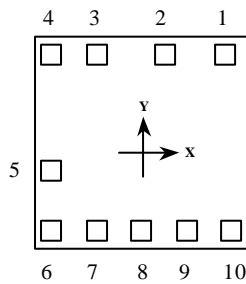
M9130 內建振盪

M9131 可調頻率

128 音符音樂 IC

MELODY	
M9130/M9131	

PAD ASSIGNMENT & POSITION



No.	NAME	UNIT : um	
		X	Y
1	BB	295	345
2	BZ	49	345
3	LO	-181	345
4	VDD	-361	345
5	Y	-361	-159
6	X	-338	-385
7	TE	-163	-385
8	OSH	12	-385
9	LH/ON	187	-385
10	VSS	362	-350

* CHIP SIZE ~ 1.01 x 1.05 mm²

* IC substrate should be connected to VSS in PCB (PCB 上 IC 必須接 VSS)
(以上電路及規格僅供參考,本公司得逕行修正)