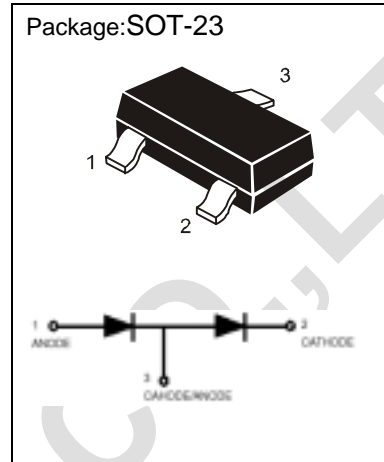


SWITCHING DIODE

- High Switching Speed

ABSOLUTE MAXIMUM RATINGS at Ta=25°C

Characteristic		Symbol	Rating	Unit
Reverse Voltage		V_R	80	Vdc
Peak Repetitive Reverse Voltage		V_{RM}	80	V
Forward Current	Single	I_F	100	mA
	Series		65	
Forward Continuous Current	Single	I_{FM}	225	mA
	Series		145	
Junction Temperature		T_j	150	°C
Storage Temperature		T_{stg}	-55-150	°C



ELECTRICAL CHARACTERISTICS at Ta=25°C

Characteristic	Symbol	Min	Max	Unit	Test Conditions
Reverse Current	I_R		100	uA	$V_R=75V$
Forward Voltage	V_F		1.2	V	$I_F=100mA$
Reverse Voltage	V_R	80		V	$I_R=100uA$
Diode Capacitance	C_T		2	PF	$V_R=0 f=1.0MHz$
Reverse Recovery Time	T_{rr}		3.0	nS	$I_F=10mA$ to $I_{RR}=1.0mA$ $V_R=6.0V R_L=100\Omega$

DEVICE MARKING:

MA147=A7