

The MA3690/1 chip set has three modes of operation: remote terminal, bus controller, and passive monitor. It has a dual bus capability, requires minimum support hardware / software and is implemented on a radiation hard, CMOS/SOS process. For applications requiring access to Terminal Flag, a 48-Pin DIL MA3693 is available as an alternative to the MA3690.

As a remote terminal, the MA3690/1 is fully compatible with Mil-Std-1553B. The chip set obtained SEAFAC approval in December 1987. All options and mode commands specified by the Mil Std are implemented. Full and meaningful use is made of status word bits and a comprehensive bit word is provided.

A unique mechanism has been incorporated that allows the subsystem to declare illegal commands legal, and vice versa, before the chip set services the command. It should be noted that use of this mechanism is optional and that the system defaults to normal operation if the option is not required. The chip set is easily interfaced to subsystem memory and is sufficiently flexible to ensure compatibility with a wide range of microprocessors.

As a bus controller the MA3690/1 has the ability to initiate all types of 1553B transfer on either of the two buses. An instruction word is set up by the subsystem, prior to transmission, which contains details of transfer type and bus selection. Four bits of the instruction word have been used to specify the conditions under which the chip set will generate a subsystem interrupt. The most significant bits of the instruction word have been used to specify the conditions under which the chip set will perform an automatic retry and the number of retries to be carried out (max. 3). At the end of each instruction execution cycle, the chip set writes a report word into the subsystem memory; the contents of which give the subsystem an indication of the degree of success of the transfer.

The bus controller may be used in either of two configurations, i.e. single shot or table driven.

In the single shot configuration, the controller is under direct control from the subsystem (processor). In table driven configuration, the controller is given greater autonomy to execute a table of instructions held in either ROM or RAM.

As a passive monitor, the chip set will monitor all bus activity and pass any associated information to the subsystem. As the name implies, in this mode of operation, the chip set is truly passive and will not reply to command instructions.

FEATURES

- Radiation Hard to 1MRads (Si)
- High SEU Immunity, Latch-Up Free
- CMOS-SOS Technology
- All Inputs and Outputs Fully TTL or CMOS Compatible
- Military Temperature Range -55 to +125°C
- Dual Bus Capability
- Minimal Subsystem Interface
- Powerful Bus Control Facility
- Complete Remote Terminal Protocol
- SEAFAC Approved

SIGNAL DESCRIPTIONS

All signals are TTL compatible unless stated otherwise. An 'N' at the end of the signal name denotes an active low signal.

SUPPLIES

VDD	5 volts positive supply
VSS	Ground

CLOCK INPUTS

CK12	12MHz clock
-------------	-------------

BUS INTERFACE LINES

PDIN0 Input
Positive threshold exceeded on bus 0.

NDIN0 Input
Negative threshold exceeded on bus 0.

TXEN0N Output
Transmit enable for driver on bus 0.

PDOUT0N Output
Positive Manchester data for driver on bus 0.

MA3690/1/3

NDOUT0N Output
Negative Manchester data for driver on bus 0.

PDIN1 Input
Positive threshold exceeded on bus 1.

NDIN1 Input
Negative threshold exceeded on bus 1.

TXEN1N Output
Transmit enable for driver on bus 1.

PDOUT1N Output
Positive Manchester data for driver on bus 1.

NDOUT1N Output
Negative Manchester data for driver on bus 1.

SUBSYSTEM INTERFACE LINES

STROBEN Output
STROBE - Information transfer strobe pulse for words being transferred on the data highway.

BUFENN Output
BUFFER ENABLE - This line goes low to enable the data highway buffer between the terminal and the subsystem.

R/WN Output
READ/WRITE - This line indicates the direction of information transfer between the terminal and the subsystem. When low, information is being written from the terminal to the subsystem.

DTRQN Output
DATA TRANSFER REQUEST - This line goes low to request permission to transfer a non mode data word to or from the subsystem.

DTAKN Input
DATA TRANSFER ACKNOWLEDGE - This line should be driven low to grant permission to perform the requested data word transfer.

MDTN Output
MODE DATA TRANSFER -
RT: This line goes low to indicate that the data word being transferred is associated with a mode command.
BC: When operating as a passive monitor this line goes low to indicate that a valid data word is on the data highway and should be written into the received data latch.

GBRN Output
GOOD BLOCK RECEIVED - When in RT mode this line will pulse low to inform the subsystem that the received non mode data words are valid and may be used.

ADENN Output
ADDRESS ENABLE - When in RT mode this line will go low as part of the reset routine to enable the terminal address on to the data highway.

SYNCRN Output
SYNCHRONISE - This line will pulse low if a valid synchronise mode command without data is received and passes all validity checks.

STATENN Output
STATUS ENABLE -
RT: When low this line enables the contents of the subsystem status latch on to the data highway.
BC: When low this line enables the BC report word on to the data highway.

MDRN Output
MODE DATA RECEIVED - This line will pulse low to inform the subsystem that the received mode data is valid and may be used.

RXCMDN Output
RECEIVED COMMAND -
RT: This line goes low to indicate that a valid command word for this RT is on the highway and should be written into the command word latch.
BC: When operating as a passive monitor this line goes low to indicate that a valid command / status word is on the data highway and should be written into the received status latch.

BUSYREQN / HALTREQN Input
BUSY REQUEST / HALT REQUEST -
RT: This line should be driven low as a request for the terminal to set the busy bit and inhibit non mode data transfers to or from the subsystem.
BC: This line should be driven low as a request for the terminal to halt table execution and all subsystem access.

BUSYACKN / HALTEDN Output
BUSY ACKNOWLEDGE / HALTED -
RT: This line will go low to indicate that the subsystem has free access to the shared store.
BC: This line will go low to indicate that all terminal operation has been halted and hence the subsystem has free access to the shared store.

CODENN Output
CODE ENABLE - This line when low indicates that a word transfer between the terminal and either the Instruction Store or the Report Store is taking place.

C0 Output
CODE 0 - This line is the least significant address line from the terminal to the Instruction and Report Stores.

C1 Output
CODE 1 - This line is the least significant but one address line from the terminal to the Instruction and Report Stores.

INCADRN Output
 INCREMENT ADDRESS - This line pulses low to increment the external instruction addressing counter.

HSFN/IRQN Output
 HANDSHAKE FAIL / INTERRUPT REQUEST
 RT: This line pulses low to inform the subsystem that it has not responded to a data transfer request to take place.
 BC: This line pulses low to generate an interrupt to the BC subsystem processor.

INCMDN Output
 IN COMMAND - When low this line indicates that the terminal is currently servicing a command word.

EOTN Output
 END OF TRANSMISSION - When low this line indicates that the selected bus is quiet and hence available for use.

ABORTN Output
 This line will pulse low to abort execution of the current command if an error is detected.

B0-B15 Input/Output
 HIGHWAY LINES - 16 line bidirectional Output data highway. (B0 = LSB).

CLDN Inter-chip (CMOS)
 COMMAND LOAD - When low this line indicates that the word on the data highway should be loaded into the transmitter for transmission with a command sync.

DLDN Inter-chip (CMOS)
 DATA LOAD - When low this line indicates that the word on the data highway should be loaded into the transmitter for transmission with a data sync.

OBFN Inter-chip (CMOS)
 OUTPUT BUFFER FULL - When low this line indicates that the transmitter output buffer is full and cannot be overwritten.

VALDRN Inter-chip (CMOS)
 VALID DATA RECEIVED - When low this line indicates that a valid data word has been received and is on the data highway.

VALCRN Inter-chip (CMOS)
 VALID COMMAND RECEIVED -
 RT: When low this line indicates that a valid command word for this RT has been received.
 BC: When low this line indicates that a valid word with a command sync has been received.

RT/BCN Input
 REMOTE TERMINAL/BUS CONTROLLER - When high the terminal will function as an RT. When low the terminal will function as a bus controller.

CK4 Output
 4MHz system clock.

PUCN Input
 POWER UP CLEAR - This line should be pulsed low following power-up.

RESETN Input/Output
 RESET - This line when low, forces the internal circuitry to reset to the quiescent initialised state. This is a 'TTL' level input on both devices and an open-drain output on the MA3690. The subsystem should drive this line via an open drain/collector device with external pull up fitted.

RT0 / RT1 Inputs
 REPLY TIMEOUT DECODE - These lines on the MA3690 allow four different timeout values to be used. On the MA3693, the RT1 signal is not available and is pulled down internally.

RT1	RT0	Timeout (us)
0	0	16
0	1	22
1	0	44
1	1	108

Note: Under normal operation, option 00 should be used. (i.e. 16uS)
 The measurement is taken between mid parity and mid sync - measured at PDIN/NDIN terminals.

TF Output
 TERMINAL FLAG - This line is available only on the 64-pin MA3690 and on the MA3693 (where it replaces RT1). The line indicates the state of the Terminal Flag bit in the Status Word, and can be inhibited by the mode code Inhibit Terminal Flag. This is an active LOW signal.

TEST/SOT Inputs
 These lines are for test purposes only and for normal chip set operation must both be tied low.

OPERATION IN BUS CONTROL MODE

For this mode of operation the RT/BC pin must be held in the logic zero state. On power up the PUC or RESET line must be pulsed low for a minimum of 500ns causing the chip set to initialise and assume the halted state with the HALTED output low. To release the terminal from the halted state, the subsystem must drive the HALTREQ line through a low to high transition, at which time the HALTED line will go inactive.

When the HALTED line goes inactive, the terminal will address a four word deep Instruction Store as shown below, using the C0 and C1 outputs.

This first instruction after a Reset is a NOOP.

INSTRUCTION STORE

C1	C0	Word
0	0	Instruction
0	1	Receive Command
1	0	Transmit Command
1	1	Data Pointer

The instruction word specifies the operation which the terminal is to carry out, and is formatted in the following way:

Instruction Word

Bit
 15.14. 13.12.11. 10.9.8.7. 6.5. 4.3. 2.1.0.

Retry Count	Retry Condition	Interrupt Condition	Bus Select	Function Code	Message Code

The significance of the instruction word bits are as follows:

Message Code

Code	Transfer Type
000	RT to BC
001	BC to RT
010	RT to RT, data to BC subsystem
011	RT to RT, no data to BC subsystem
100	Broadcast RT to BC, non data mode commands only
101	Broadcast BC to RT
110	Broadcast RT to RT, data to BC subsystem
111	Broadcast RT to RT, no data to BC subsystem

Mode Codes without data are followed by a NOOP.

Function Code

Code	Terminal Function
00	Execute message code
01	Perform self test
10	Monitor bus
11	No operation (NOOP)

The Function Code (bits 4 and 3 of the Instruction Word) specifies the required terminal mode of operation.

Execute - Code 00

With the Function code bits set to 00, the terminal will execute the message as defined in the Message code bits

Self Test - Code 01

If the terminal has been selected to perform a Self Test then the terminal transmitter output stages will be disabled and the self test sequence entered. At the end of the Self Test the transmitter stages will be re-enabled and a Report sequence will be activated, in order to report on the success, or failure, of the Self Test.

Passive Monitor - Code 10

If the Function code of the Instruction word is 10 the terminal will disable the transmitter output stages, suspend table execution and merely monitor the specified bus for valid words.

No Operation - Code 11

The No Operation code provides a means of introducing delay or a wait sequence into the table operation. In selecting this code the terminal will be forced into the Report sequence and provide either an increment signal (INCADRN) or an interrupt (IRQN) if the Interrupt Always flag in the Instruction word has been selected.

Bus Select

Code	Definition
00	Transmit on bus 0
01	Transmit on bus 1

Note: Bit 6 of the instruction word is tied low internally.

The required data bus on which transactions take place is defined by bit 5. In addition to this, this bit defines the bus on which the Transmitter Self Test operation will be conducted and the choice of the bus for monitor purposes in Passive Monitor mode.

Interrupt Condition

Code	Definition
0001	Interrupt if no response
0010	Interrupt if status bit set
0100	Interrupt always
1000	Interrupt if word error

If the terminal detects one of the above conditions and the appropriate flag is set, the the IRQ line will pulse low for 250ns.

Four bits of the Instruction word (bits 10-7) define conditions under which the terminal will generate an interrupt to the subsystem (IRQN). Note that the generation of IRQN will only take place after any selected retry conditions have been exhausted.

The interrupt conditions which may be selected can be categorised as follows:

1. Interrupt if no response - the terminal will generate an interrupt if the RT does not respond.
2. Interrupt if Status bit set - the terminal will generate an interrupt if a received status word has a bit set other than in the RT address field or if the wrong RT responds.
3. Interrupt Always - the terminal will generate an interrupt regardless of whether the message was successful or not.
4. Interrupt if word error - the terminal will generate an interrupt if a word encoding or word count error occurs.

In all of the above cases, the terminal will generate a 250ns pulse on IRQN and enter the halted state. This will occur after the Report sequence has been executed.

Note the INCADRN will not be produced.

Retry Condition

Code	Definition
001	Retry if error
010	Retry if status bit set
100	Retry if busy set

Three bits of the Instruction word (bits 13-11) are used as flags to specify conditions under which the terminal will execute automatic message retries until the retry number count is zero. The retry flags are involved with the following conditions:

1. Retry if error - this includes a no-status response, a word encoding error, or a wrong word count from a responding RT.
2. Retry if Status bit set - an automatic retry will take place if a received status word has a bit set, other than in the RT address field, or if the wrong RT responds.
3. Retry if Busy - this is a specific check for the setting of the Busy bit in a responding RT's status word.

The remaining two bits of the Instruction word specify the number of message retries which the Bus Controller will attempt automatically. A code of 00 specifies no retries, a code of 11 specifies the maximum of three retries. The retries are in addition to the initial message transmitted, hence a message may be transmitted four times in total, if not successful. Note that if the condition which is being tested becomes invalid, the retry sequence will discontinue on the next message with the Bus Controller completing execution of the message in the relevant manner.

Retry Count

The two most significant bits of the instruction word specify the number of retries to be carried out when a retry condition has been detected. (Maximum 3 given by code 11)

RECEIVE COMMAND WORD

The receive command word is addressed when CODENN and C1 are both low and R/WN and C0 are both high. This word is the command word which will be transmitted for a BC to RT transfer or as the first command word of an RT to RT transfer.

Note: This word should be set to 1111 HEX if the message code is 000 or 100, or if the Function Code is not 00.

TRANSMIT COMMAND WORD

The transmit command word is addressed when CODENN and C0 are both low and R/WN and C1 are both high. This word is the command word which will be transmitted for an RT to BC transfer or as the second command word of an RT to RT transfer.

Note: This word should be set to 1111 HEX if the message code is 001 or 101, or if the Function Code is not 00.

DATA POINTER WORD

The data pointer word is addressed when CODENN is low and C0, C1 and R/WN are all high. This word is intended as a base address pointer to the subsystem data store thus specifying where any data words associated with the current instruction should be stored or retrieved from. As such, this word is not read into the terminal itself but is merely transferred from the Instruction Store to a suitable external address latch. (The BUFENN signal is therefore inactive during this transfer).

REPORT STORE

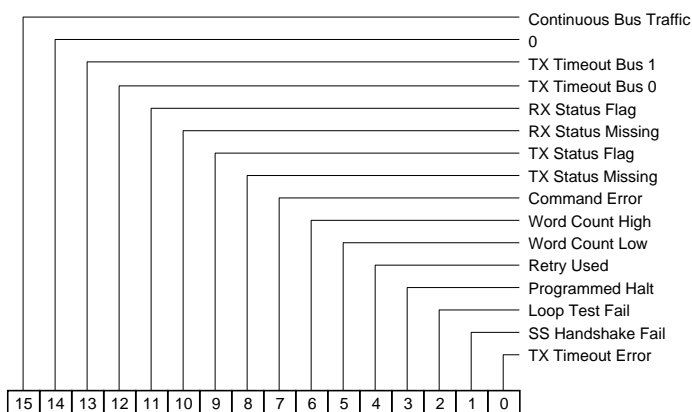
The report store holds information concerning the success or failure of the execution of the last instruction, and is addressed by means of the CODENN, C0 and C1 lines as for the instruction store. The report store is addressed when the R/WN line is low, the instruction store when the R/WN line is high.

The report store comprises a Report word, a receive status word (if applicable) and a transmit status word (if applicable). The fourth location has no meaning and is not at anytime addressed.

C1	C0	Word
0	0	Report word
0	1	RX status word
1	0	TX status word
1	1	Not used

REPORT WORD

The report word gives the subsystem information as to the type of error associated with the last transfer (the word will be clear if no error occurred). The report word is formatted as follows:



The Report word is written at the end of message execution, after all retries have been exhausted and prior to the IRQN line being set active. This word indicates the health of the terminal as well as information relating to the message execution.

Transmitter Timeout Error

This bit will be set if a transmitter timeout error occurs while the terminal is transmitting or if a self test on the transmitter timeout mechanism fails. This will come into effect 800us after the commencement of the Self Test. The setting of this bit will also cause a subsystem interrupt to be generated.

This bit will be reset to logic zero if the terminal is reset.

Subsystem Handshake Failure

This bit will be set if the subsystem fails to acknowledge a terminal request to transfer a data word in 0.75us for a received data word or 13.5us for a transmit data word. If this condition takes place while the terminal is transmitting the transmission will be aborted. The setting of this bit will also cause a subsystem interrupt to be generated..

This bit will be reset to logic zero if the terminal is reset.

Loop Test Failure

This bit will be set if the receiver circuitry detects an absence of terminal transmission or a waveform encoding error occurs while the terminal is transmitting. The setting of this bit while the terminal is transmitting will cause the transmission to be aborted and a subsystem interrupt to be generated.

This bit will be reset to logic zero if the terminal is reset.

Programmed Halt

This bit will be set if the Interrupt Always flag of the Instruction word has been selected.

This bit will be reset at the start of each new instruction execution cycle.

Retry Used

This bit will be set if one or more message retries has been attempted.

This bit will be reset at the start of each new instruction execution cycle.

Word Count Low

This bit will be set if the terminal detects fewer valid data words than specified by the Transmit Command word of the Instruction set.

This bit will be set low at the start of each instruction execution cycle or message retry.

Word County High

This bit will be set if the terminal detects more valid data words than specified by the Transmit Command word of the Instruction set.

This bit will be set low at the start of each instruction execution cycle or message retry.

Command Error

This bit will be set if an error occurs in the Instruction set. The setting of this bit will cause instruction execution to be aborted and a subsystem interrupt to be generated.

This bit will be reset at the start of each new instruction execution cycle.

TX Status Missing

This bit will be set if a no-response is detected from an RT which has been commanded to transmit and the relevant RT address was not the Broadcast address.

This bit will be reset at the start of each new instruction cycle or message retry.

TX Status Flag

This bit will be set if the status word received from a transmitting RT has a bit set or has the wrong terminal address.

This bit will be reset at the start of each new instruction execution cycle or message retry.

RX Status Missing

This bit will be set if a no-response is detected from an RT which has been commanded to receive and the relevant RT address was not the Broadcast address.

This bit will be reset at the start of each new instruction cycle or message retry.

RX Status Flag

This bit will be set if the status word received from a receiving RT has a bit set or has the wrong terminal address.

This bit will be reset at the start of each new instruction execution cycle or message retry.

Transmitter Timeout On Bus 0

This bit will be set if the transmitter timeout mechanism operates on Bus 0. This will be set under Self Test execution with Bus 0 selected in the Instruction word.

This bit will be reset to logic zero if the terminal is reset.

Transmitter Timeout On Bus 1

This bit will be set if the transmitter timeout mechanism operates on Bus 1. This will be set under Self Test execution with Bus 1 selected in the Instruction word.

This bit will be reset to logic zero if the terminal is reset.

Continuous Bus Traffic

This bit will be set if the terminal detected that the data bus is already active when the BC is instructed to execute a message on that data bus. An active data bus is defined as a data stream of one command word or status word and greater than 32 contiguous data words being received by the terminal. The setting of this bit will cause transmission to be suppressed and a subsystem interrupt to be generated.

It should be noted that:

1. This condition is only likely to be caused by a runaway RT which transmits continuously.
2. If this condition is present the subsystem is able to specify the use of the alternative bus for its transmissions.

This bit will be reset to logic zero when the terminal is reset or when the terminal detected a quiet bus.

RECEIVE STATUS WORD

The receive status word location is addressed when CODENN, C1 and R/WN are low and C0 is high. This location is used by the terminal to store the status word, if any, received from a receiving RT. In self test mode this location is updated with the contents of the receive command word during the instruction fetch cycle.

TRANSMIT STATUS WORD

The transmit status word location is addressed when CODENN, C0 and R/WN are low and C1 is high. This location is used by the terminal to store the status word, if any, received from a transmitting RT. In self test mode this location is updated with the contents of the transmit command word during the instruction fetch cycle.

MODES OF OPERATION

The Bus Controller may be controlled in either a single shot mode or in a table driven mode. In the former, the execution of the message table would be under direct control of the subsystem, on a message by message basis.

The table driven mode would provide a subsystem capable of more autonomous operation, leading to a greatly reduced level of processor intervention in the message execution level, at least. In either case the procedure of Instruction fetch, message execute and reporting would be the same. The difference arises from the value of the HALTREQN line when it is resampled at the end of message execution. This is further described below.

SINGLE SHOT OPERATION

To commence a message execution the subsystem must take the HALTREQN line low to high for a minimum of 1us. This will be followed by the terminal acknowledging this action by the HALTEDN line being set inactive (high). The HALTEDN line will remain high until the message has been completed, at which time the HALTREQN line is further sampled. If it is low then the terminal will halt and wait until the request line is taken high again, in effect a single instruction execution.

It is important to the integrity of the system that the HALTREQN line is strictly glitch free, otherwise problems will arise with the terminal attempting to execute commands at a time when no terminal access to the various stores can be guaranteed.

CONTINUOUS OPERATION

The continuous message table operation mode can be achieved by ensuring that at the end of a message the HALTREQN line is high. Thus, assuming that the message has executed correctly, the terminal will generate a signal to increment the external address counter (INCADRN) and continue to the next instruction. If, however there has been an interrupt generated (IRQN active) the terminal will halt in the HALTEDN state until specifically requested to continue. Note that no address increment will take place. To continue execution the HALTREQN line should be taken low to high for the appropriate time.

Continuous table driven operation results in an intermessage gap of 20us.

Figure 1 shows the instruction fetch and execute cycle.

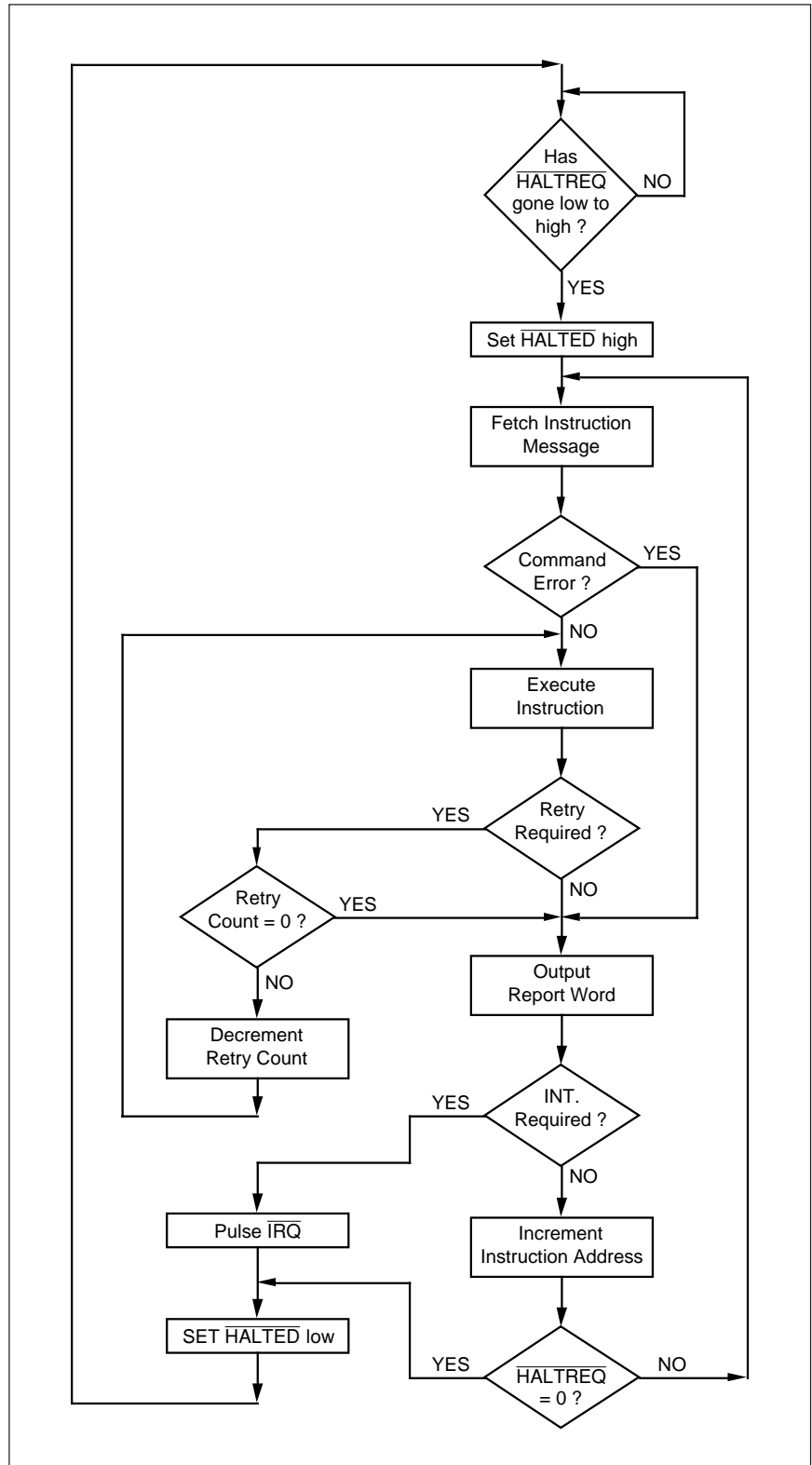


Figure 1: BC Instruction Fetch and Execute Cycle

PASSIVE MONITOR

The terminal may be configured into a Passive Monitor (or Bus Monitor) merely by selecting the appropriate Function Code of the Instruction word. By doing this the terminal will not take part in any further Instruction execution but instead will monitor the selected bus for data transmissions.

INTERRUPT / RETRY CAPABILITY

The terminal has certain in-built functions which permit the terminal to retrieve situations which would normally cause a greater degree of subsystem intervention. This is achieved by having an automatic retry facility in-built to the terminal which is selectable from the Instruction word. In this case both the condition and number of attempts for which the terminal must try may be specified. After completion of the required number of attempts, terminal operation may be halted with the possibility of an interrupt generated also.

The interrupt facility provides a means of more direct subsystem interaction in the event of a failure. Similar flags are required to be set in the Instruction word before a selectable interrupt may be generated. This form of interrupt also includes an Interrupt Always flag whose application may be used to determine subsystem/system timing requirements.

It should be noted that an interrupt may also be generated by the error checking procedures of the terminal which verify aspects of the Instruction word and associated Receive/Transmit command words.

STANDBY BUS CONTROLLER

The terminal provides a number of signals to the subsystem for message addressing and execution. Two address lines are provided (C0, C1) plus a signal to increment an external counter (INCADRN). This, together with the on-chip sequencing, error checking, etc., enables a standby bus controller, using a fixed table of messages, to be realised in few devices as shown in Figure 2. It is therefore possible to attain a standby BC on a single 6 x 4 PCB card.

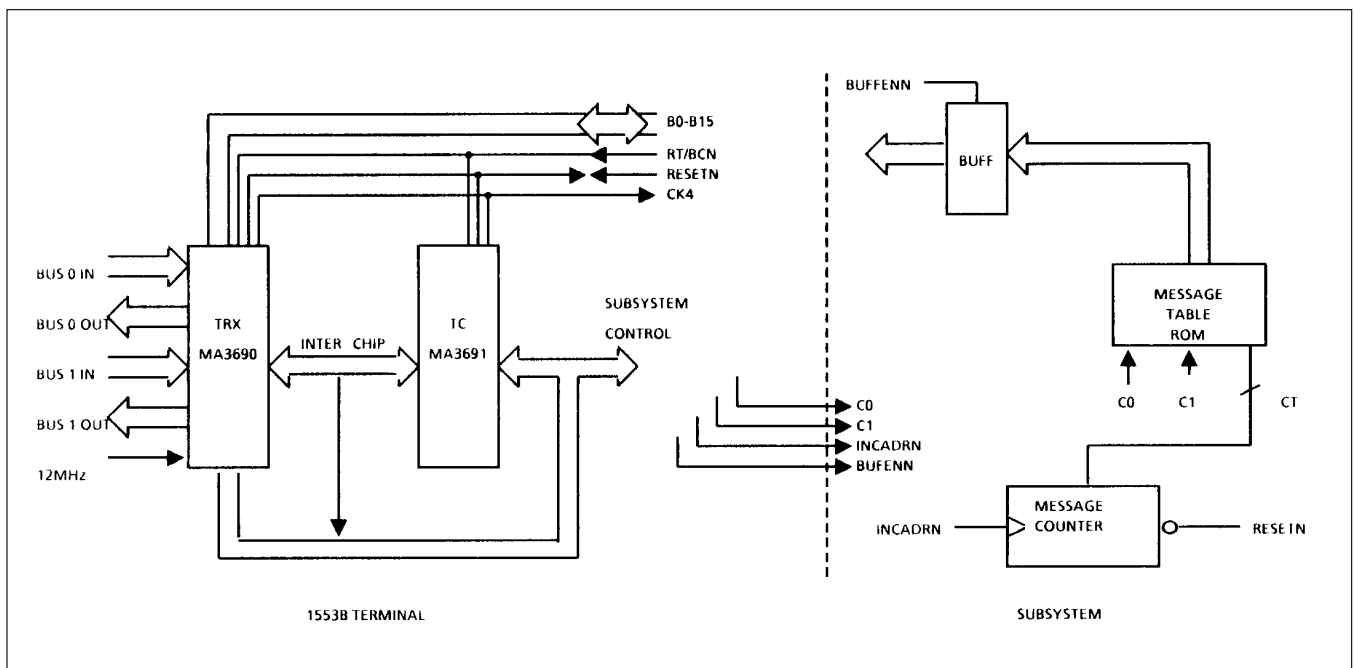


Figure 2: Standby Bus Controller

FULL BUS CONTROLLER

To make use of the SOS chipset's capabilities a processor-based system would be more applicable. A block diagram of such a system, using shared store technique is shown in Figure 3. In this, the instruction word store would be alterable by the processor for use in various system conditions, i.e. a basic message table would initially be set up with the processor monitoring the results of execution from the report word store and / or the interrupt request (IRQN) line. On detection of an erroneous condition, the processor could write a new message table to test the RT in error by, for example, a self test mode command. The inclusion of automatic retry, with a maximum of 3 retries, in the instruction word, removes the requirement from the processor to retry under simple RT faults, e.g., status bit set.

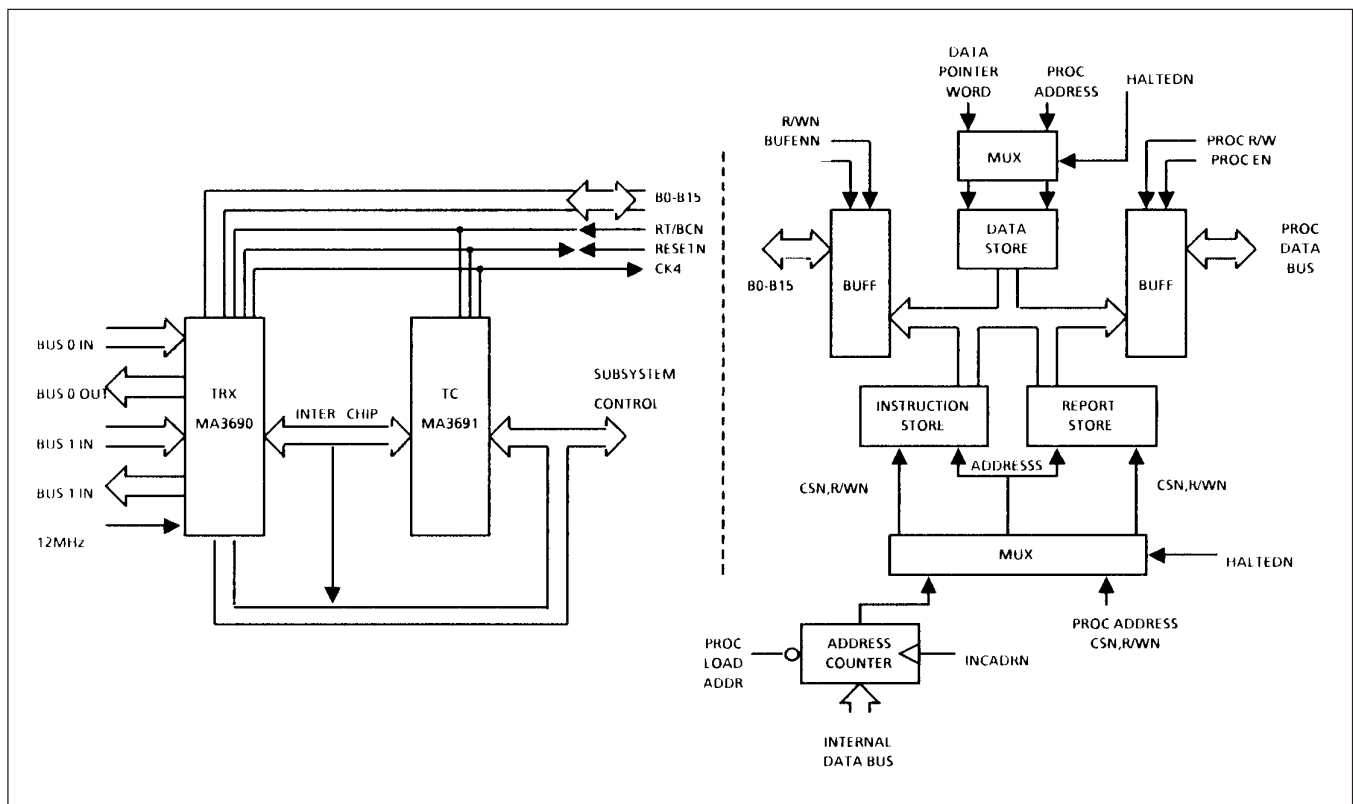


Figure 3: Full Bus Controller

SUBSYSTEM INTERFACE

The terminal / subsystem interface consists of a 16 bit bidirectional data highway and a number of control lines, many of which are of optional use. The subsystem lines have been arranged such as to allow a simple shared store technique to be readily implemented but sufficient flexibility has been designed to allow optimisation of the interface for a particular subsystem design.

REMOTE TERMINAL MODE

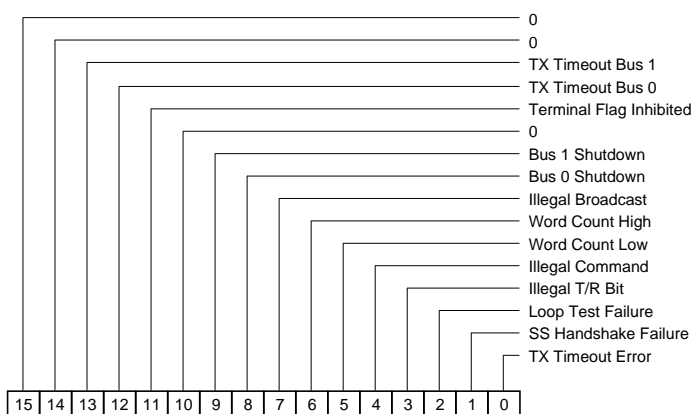
On initialisation, the RT address, address parity and broadcast enables are loaded from the subsystem via the data highway, Figure 4. The subsystem status bits are also loaded in a similar manner when required, Figure 5.

This terminal uses two distinct methods for dealing with non mode data and mode data. In the first, a busy request / acknowledge handshake is used to ensure no data transfer takes place when the subsystem is busy thus ensuring no addressing / data conflict of the main data store. Mode data, however, may be transferred even if the subsystem has declared itself busy. This represents a departure from previous chipset philosophy.

The validation of a data transfer also depends on data type. For non mode data, a data transfer request / acknowledge handshake is used to transfer each data word to or from the subsystem (both RT and BC) with a good block received (GBRN) denoting a correct transfer. For mode data, a mode data transfer (MDTN) is used to signal a mode data word with correct transfer being denoted by mode data received (MDRN). Thus, dependant on application, the I/O signals may be significantly reduced.

An RT subsystem interface signal transfer is shown in Figure 6.

BIT WORD



The terminal contains a 16 register, called BIT word, which records message errors and terminal status information. The entire BIT word contents are reset by power up initialisation or a legal mode command to reset remote terminal. The conditions for the setting of the BIT, and any additional reset conditions are given for each signal.

The contents of the BIT word register shall not be altered by any of the following legal mode commands. Transmit Status Word (TSW), Transmit Last Command (TLC) and Transmit BIT Word (TBW).

Transmitter Timeout Error

This BIT shall be set to logic one if transmitter timeout occurs while the terminal is transmitting. In addition, if the terminal is issued with a legal mode command to Initiate Self Test (code 00011) this bit shall be set if the range transmitter timeout mechanism does not operate within the of 660 μs to 800 μs.

Subsystem Handshake Failure

This bit shall be set to logic one if the subsystem does not acknowledge a terminal request to transfer a data word in time for the transfer to take place correctly.

Loop Test Failure

At all times while the terminal is transmitting the relevant receiver circuitry checks for an absence of transmission or any sync, Manchester, parity or contiguity error in the terminals transmission. This bit shall be set to logic one if any of these error conditions are detected.

Illegal T/R Bit

This bit shall be reset to logic zero by the reception of any valid command word with the exception TSW, TLC and TBW.

This bit shall be set to logic one if a valid mode command is received with a transmit/receive (T/R) bit opposite to that specified by MIL-STD-1553B.

Illegal Command

This bit shall be reset to logic zero by the reception of any valid command word with exceptions TSW, TLC and TBW.

This bit shall be set to logic one if any of the following conditions arise:

- (a) The ILLEGAL COMMAND line to the subsystem status latch is low at the time when INCMD goes active low.
- (b) A valid mode command is received with a reserved mode code and the ALLOW CODE line to the subsystem status latch is high at the time when INCMD goes low.
- (c) An illegal transmitter shutdown mode command is received.

MA3690/1/3

Word Count Low

This bit shall be reset to logic zero by the reception of any valid command word with the exception of TSW, TLC and TBW.

This bit shall be set to logic one if fewer valid data words are received than specified by the preceding command word.

Word Count High

This bit shall be reset to logic zero by the reception of any valid command word with the exception of TSW, TLC and TBW.

This bit shall be set to logic one if the received message is longer than stipulated by the preceding command word.

Illegal Broadcast

This bit shall be reset to logic zero by the reception of any valid command word with the exception of TSW, TLC and TBW.

This bit shall be set to logic one if a valid command word which by definition requires terminal transmission is received with the broadcast address.

Bus 0 Shutdown

This bit shall be set to logic one if bus 0 is shutdown.

Bus 1 Shutdown

This bit shall be set to logic one if bus 1 is shutdown.

Terminal Flag Inhibited

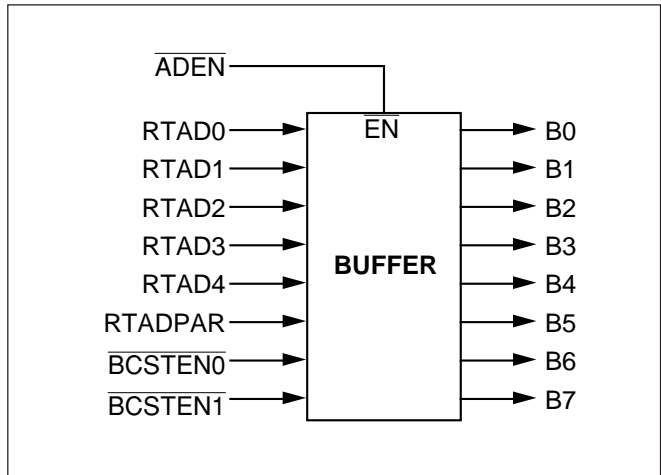
This bit shall be set to logic one if the internal terminal flag inhibit is set.

Transmitter Timeout on Bus 0

This bit shall be set to logic one if a transmitter timeout has occurred on bus 0.

Transmitter Timeout on Bus 1

This bit shall be set to logic one if a transmitter timeout has occurred on bus 1.

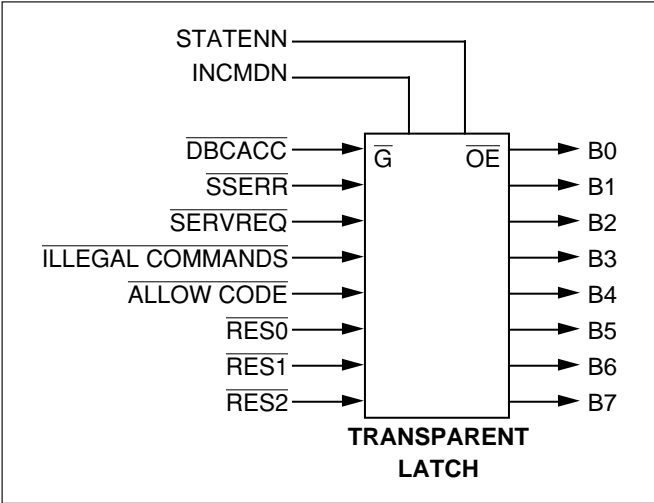


Note: RTAD0, RTAD1, RTAD2, RTAD3, RTAD4 define the RT address RTADPAR odd parity with the address bits

$\overline{\text{BCSTEN0}}$ - Broadcast enable for BUS0

$\overline{\text{BCSTEN1}}$ - Broadcast enable for BUS1

Figure 4: Subsystem RT Address Buffer



DBACC - Dynamic Bus Acceptance. If low then the Dynamic Acceptance bit of the terminal status word will be set in response to a legal Mode Command for Dynamic Bus Control allocation. After switching to the BC mode of operation the first instruction must be a NOOP.

SSERR - A low will cause the Subsystem flag to be set in the terminal status word.

SERVREQ - A low will set the service request bit of the terminal status word.

ILLEGAL COMMAND - Allows the subsystem to declare any command word illegal. When low the terminal will inhibit data transfers to or from the subsystem, and after message validation will respond with the message error bit set in the terminal status word.

ALLOW CODE - Provides the subsystem with the capability to declare any of the reserved mode codes as being meaningful. If a reserved mode code is received when high the command is treated as illegal and after message validation responds with ME bit set in the terminal status word. If low the most significant bit of the mode code and the T/R bit determine whether any data words are involved and their direction.

RES0, RES1, RES2 - Provides the subsystem the capability of setting any of the currently reserved bits of the terminal status word.

Figure 5: Subsystem Status Latch

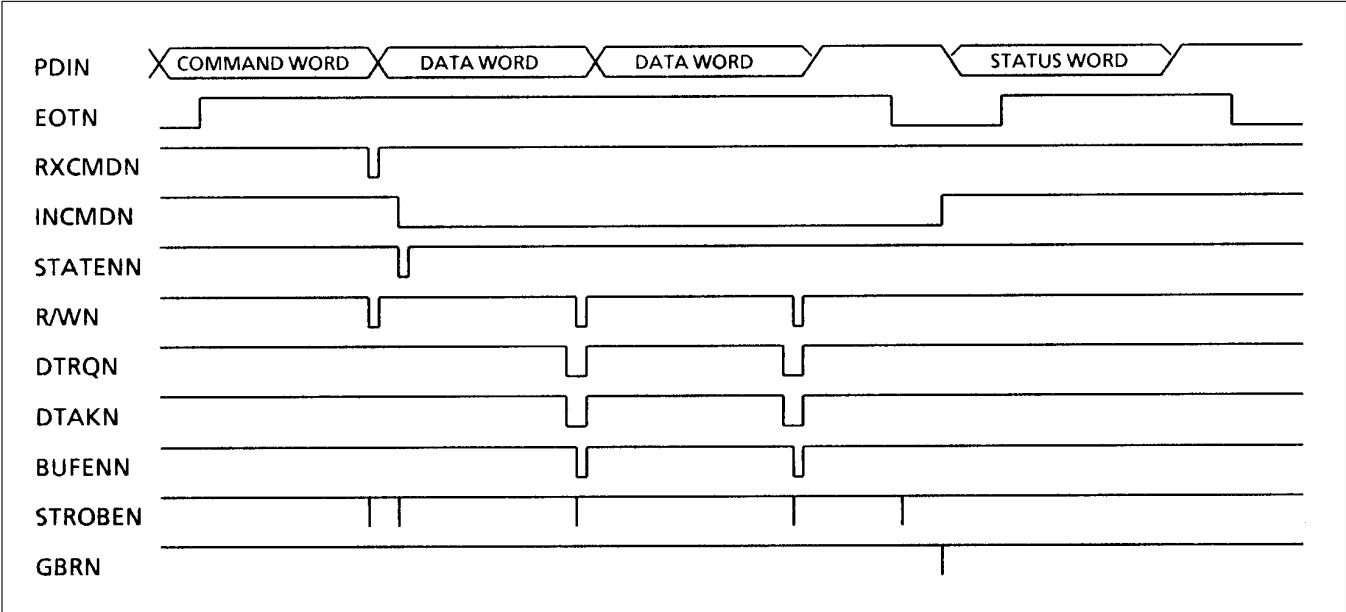


Figure 6: Remote Terminal Subsystem Interface Signal Transfer

BUS CONTROLLER MODE

For data transfers generally, 750ns enable signals (BUFENN,R/WN etc.) are produced by the terminal with a 250ns strobe signal upon which the data will be valid.

The bus controller terminal provides signals to fetch the message and write out a report and any associated data. The HALTREQN and HALTEDN handshake lines operate in a similar fasion to the BUSYREQN / BUSYACKN RT lines in that if HALTREQN is taken low the terminal will complete the current instruction and then halt, taking HALTEDN low to indicate that it has done so

A BC subsystem may be operated in either a single shot or table driven mode. In either case, the two least significant address lines (C0,C1) to the instruction and report word stores are provided by the terminal. On taking HALTREQN high (for a minimum of 1us) the subsystem initiates an instruction fetch cycle which consists of the terminal reading the instruction word, receive command word and transmit command word from the instruction store and transferring the data pointer word from the instruction store to an external data address latch. Further operation is dependent on the instruction word.

On executing a message sequence the terminal will write out the report word and either:

1. Increment the instruction address and proceed to the next instruction,
2. Increment the instruction address and halt,
3. Do not increment the instruction address, interrupt subsystem and halt.

Any data associated with the command will be transferred to or from the data store in a similar manner as used by the RT.

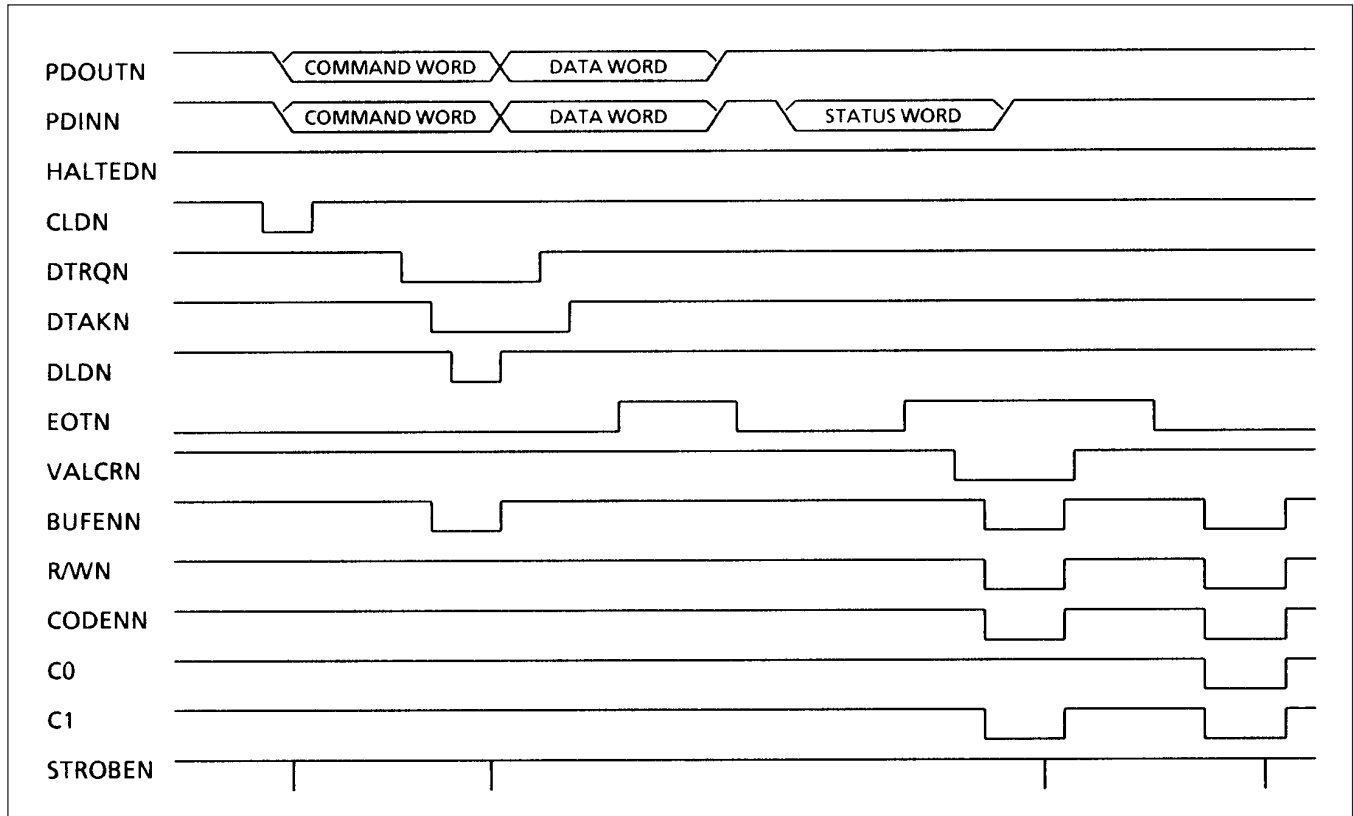


Figure 7: Bus Controller Subsystem Interface Signal Transfer

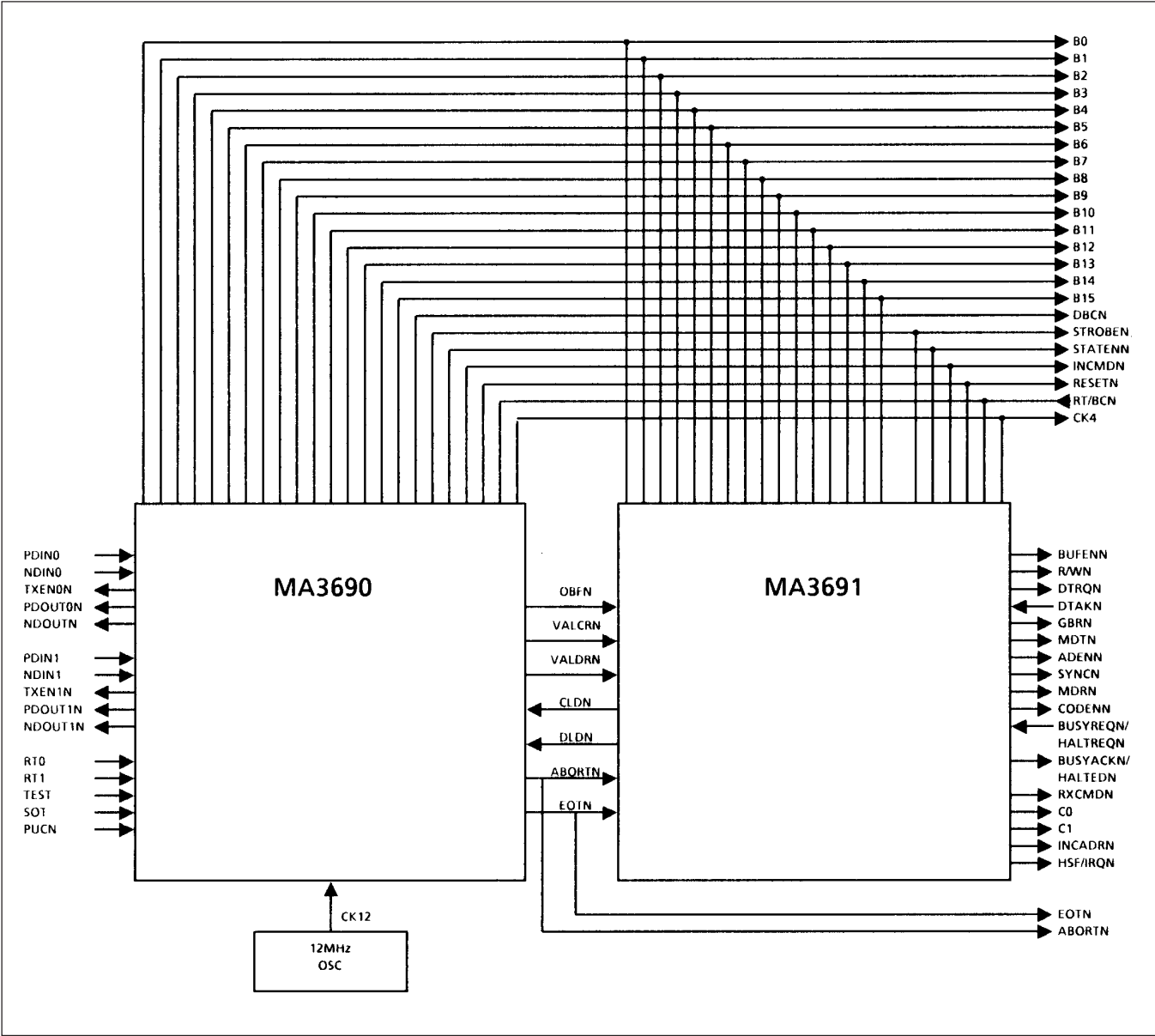


Figure 8: Chip Set Interconnection Diagram

Subgroup	Definition
1	Static characteristics specified in Figure 11 at +25°C
2	Static characteristics specified in Figure 11 at +125°C
3	Static characteristics specified in Figure 11 at -55°C
7	Functional characteristics specified at +25°C
8a	Functional characteristics specified at +125°C
8b	Functional characteristics specified at -55°C
9	Switching characteristics specified in Figure 12 at +25°C
10	Switching characteristics specified in Figure 12 at +125°C
11	Switching characteristics specified in Figure 12 at -55°C

Figure 9: Definition of Subgroups

DC CHARACTERISTICS AND RATINGS

Parameter	Min	Max	Units
Supply Voltage	-0.5	7	V
Input Voltage	-0.3	V _{DD} +0.3	V
Operating Temperature	-55	125	°C
Storage Temperature	-65	150	°C

Note: Stresses above those listed may cause permanent damage to the device. This is a stress rating only and functional operation of the device at these conditions, or at any other condition above those indicated in the operations section of this specification, is not implied. Exposure to absolute maximum rating conditions for extended periods may affect device reliability.

Figure 10: Absolute Maximum Ratings

Symbol	Parameter	Conditions	Total dose radiation not exceeding 3x10 ⁵ Rad(SI)			Units
			Min	Typ	Max	
V _{DD}	Supply Voltage	-	4.5	5.0	5.5	V
V _{IH1}	TTL Input High Voltage	-	2.0	-	-	V
V _{IL1}	TTL Input Low Voltage	-	-	-	0.8	V
V _{IH2}	CMOS Input High Voltage	-	3.5	-	-	V
V _{IL2}	CMOS Input Low Voltage	-	-	-	1.5	V
V _{OH1}	TTL Output High Voltage	I _{OH} = -1mA	V _{DD} -0.4	-	-	V
V _{OL1}	TTL Output Low Voltage	I _{OL} = 2mA	-	-	0.4	V
V _{OH2}	CMOS Output High Voltage	I _{OH} = -1mA	V _{DD} -0.4	-	-	V
V _{OL2}	CMOS Output Low Voltage	I _{OL} = 2mA	-	-	0.4	V
I _{IL1}	Input Low Current	V _{IN} = V _{SS} (Note 1)	-	-	-10	µA
I _{IH1}	Input High Current	V _{IN} = V _{DD} (Note 1)	-	-	10	µA
I _{IL2}	Input Low Current (RT1)	V _{IN} = V _{SS} (Note 1)	-	-	-50	µA
I _{IH2}	Input High Current (RT2)	V _{IN} = V _{DD} (Note 1)	50	-	150	µA
I _{OZL}	IO Low Current	V _{IN} = V _{SS} (Note 1)	-	-	-50	µA
I _{OZH}	IO High Current	V _{IN} = V _{DD} (Note 1)	-	-	50	µA
I _{DD}	Power Supply Current	-	-	-	25	mA

V_{DD} = 5V±10%, over full operating temperature range.

Note 1: Guaranteed but not tested at -55°C

Mil-Std-883, method 5005, subgroups 1, 2, 3

Figure 11: Electrical Characteristics

Symbol	Description	Min.	Typ.	Max.	Units
t1	CK4 to BUS [B0:B15] VALID			235	nS
t2	CK4 to BUS [B0:B15] High Impedance			220	nS
t3	B0: B15 set up wrt STROBEN ↑	15			nS
t4	B0: B15 hold wrt STROBEN ↑	25			
t5	VALCRN ↓ to RXCMDN ↓		3t		
t6	Pulse width RXCMDN, R/WN, STATENN, BUFENN, CLDN, DLDN, MDTN, CODENN		3t		
t7	Pulse width STROBEN, GBRN, MDRN, SYNCN, IRQN		1t		
t7a	RXCMDN/R/WN/STATENN/BUFENN/CLDN/DLDN /MDTN, CODENN ↓ to STROBEN		1t		
t7b	As 7a from STROBEN ↑		1t		
t8	RXCMDN ↑ to INCMD ↓		4t		
t9	INCMDN ↓ to STATENN ↓		3t		
t10	VALCRN pulse width		5t		
t11	VALDRN ↓ to DTRQN ↓			1t	
t12	DTRQN ↓ to DTAKN ↓ (RXDATA)	0		3t	
t13	DTAKN ↓ to BUFENN ↓	1t		2t	
t14	DTRQN ↑ to CLDN ↓		24t		
t15	CLDN ↑ to GBRN ↓	15t		16t	
t16	CLDN ↓ to STATUS valid BUS B0:B15			100	nS
t17	CLDN ↑ to STATUS invalid on B0:B15	35			nS
t18	DTRQN ↑ to DTAKN ↑	0			
t19	STATENN to CLDN ↓ Non mode data	11t		12t	
t20	CLDN ↑ to DTRQN ↓		15t		
t21	DTRQN ↓ to DTAKN ↓ (TX data)	0		54t	
t22	VALDRN ↓ to R/WN ↓	2t		3t	
t23	MDTN ↓ to CLDN ↓		24t		
t24	CLDN ↑ to MDRN ↓		14t		
t25	STATENN to CLDN ↓ mode data	11t		12t	
t26	CLDN ↑ to MDTN ↓	15t		16t	
t27	MDTN ↑ to INCMDN ↑	77t		78t	
t28	DTRQN ↑ to INCMDN ↑ (non broadcast)	77t		78t	
t29	DTRQN ↑ to INCMDN ↑ (broadcast)		25t		
t30	MDTN ↑ to INCMDN ↑ (broadcast)		25t		
t31	CLDN ↑ to INCMDN ↑ (mode)	11t		12t	
t32	CLDN ↑ to TXENN ↓	1t		2t	
t33	TXENN/PDOUTN/NDOUTN/prop delay difference		6		nS
t34	Start of transmission to EOTN ↑		76t ₁₂		
t34a	End of transmission to EOTN ↓		82t ₁₂		
t35	End of transmission to ABORTN ↓				
	1) RT1 = 0 RT0 = 0			20	uS
	2) RT1 = 0 RT0 = 1			26	uS
	3) RT1 = 1 RT0 = 0			48	uS
	4) RT1 = 1 RT0 = 1			112	uS
t36	Minimum no response timeout				
	1) RT1 = 0 RT0 = 0	15.75		16.25	uS
	2) RT1 = 0 RT0 = 1	21.75		22.25	uS
	3) RT1 = 1 RT0 = 0	43.75		44.25	uS
	4) RT1 = 1 RT0 = 1	107.75		108.25	uS
t37	Remote terminal response time	10.3		11.25	uS
t38	Minimum PUCN pulse width	20			nS
t39	PUCN ↓ to RESET ↓			90	nS

Figure 12: AC Electrical Characteristics

Symbol	Description	Min.	Typ.	Max.	Units
t40	RESETN ↓ to ADEN ↓			80	nS
t41	PUCN ↑ to RESETN ↑		2t		
t42	RESETN ↑ to ADENN ↑		2t	2t + 80	nS
t43	Initialisation word set-up wrt RESETN ↑	15			nS
t44	Initialisation word HOLD wrt RESETN ↑	20			nS
t45	Minimum RESETN pulse width	90			nS
t46	Minimum CK12 high	33			nS
t47	Minimum CK12 low	20			nS
t48	CK12 ↑ to CK4 ↑			90	nS
t49	CK12 ↓ to CK4 ↓			90	nS
t50	HALTREQN pulse width	1t			
t51	HALTREQN ↑ to HALTEDN ↑			55	nS
t52	HALTREQN ↑ to CODENN ↓	1t		2t	
t53	CODENN ↑ to CODENN ↓		2t		
t54	RT-RT minimum validation time				
	1) RT1 = 0 RT0 = 0	55.75		56.25	uS
	2) RT1 = 0 RT0 = 1	61.75		62.25	uS
	3) RT1 = 1 RT0 = 0	83.75		84.25	uS
	4) RT1 = 1 RT0 = 1	147.75		148.25	uS
t55	HALTREQN setup for next message wrt to INCMDN ↑		150		nS
t56	R/WN ↓ to R/WN ↓ RT-BC Report cycle		80t		
t57	BUFENN ↑ to BUFENN ↓ Data word to report word		29t		
t58	BC intermessage gap				
	1) without a No Operation instruction		20		uS
	2) with a No Operation instruction		28		uS
t59	CODENN interval high between received status and report word during report cycle		24t		
t60	CODENN interval between report word and next message fetch for continuous operation		6t		
t61	CODEN interval between BC Noop data pointer fetch and report word		5t		
t62	INCMDN ↑ to INCADDRN ↓		1t		
t63	BUSYREQN ↓ to BUSYACKN ↓			60	nS
t64	BUSYREQN ↑ to BUSYACKN ↑			60	nS
t65	INCMDN ↑ to BUSYACKN ↓		60		nS
t66	INCMDN ↑ to BUSYACKN ↑		100		nS
t67	CK4 ↑ to R/WN/BUFENN/CO/C1/CODENN/MDTN			115	nS

Mil-Std-883, method 5005, subgroups 9, 10, 11

Notes: 1. t = CK4 period, t₁₂ = CK12 period

2. Times quoted as typical means a fixed number of CK4 clock cycles but excludes slight variations due to propagation delays.

Conditions: V_{dd} = 4.5 to 5.5V, T_{amb} = -55°C to +125°C, V_{IL} = 0V, V_{IH} = 4V, V_{OUT} Threshold = 1.5V except t₂ where measured by a 1V change in output voltage. Load = 50pf except t₂ where additional 1K load to 0V or V_{DD}.

Figure 12: AC Electrical Characteristics (continued)

LIST OF TIMINGS

14	Clock Timing
15	Power Up Clear Initialisation
16	Subsystem Reset
17	Minimum No Response Timeout
18	Abort
19	Start of Transmission Detect
20	End of Transmission Detect
21	RT Command Reception and Subsystem Status Read
22	BC-RT Data Transfer (Non Mode) + Status
23	RT Status + RT-BC Data Transfer (Non Mode)
24	Received Mode Data Transfer + Status
25	RT Status + Transfer Mode Data Transfer
26	Broadcast BC-RT Data Transfer (Non Mode)
27	RT-Broadcast Received Mode Data Transfer
28	Mode Command No Data (TIR)
29	Remote Terminal Response Time
30	RT-RT Validation Timeout
31	Remote Terminal Busy Handshake
32	RT Status Load
33	BC-Message Fetch Sequence
34	BC-Report Cycle (shown for RT-RT no data to subsystem)
35	RT-BC Report Cycle
36	BC Intermessage Gap
37	BC-No Operation
38	BC-Self Test (Report Sequence)
39	BC-Passive Monitor
40	BC-Retry
41	BC-Data Transfer Handshake

Figure 13: List of Timings

TIMING DIAGRAMS

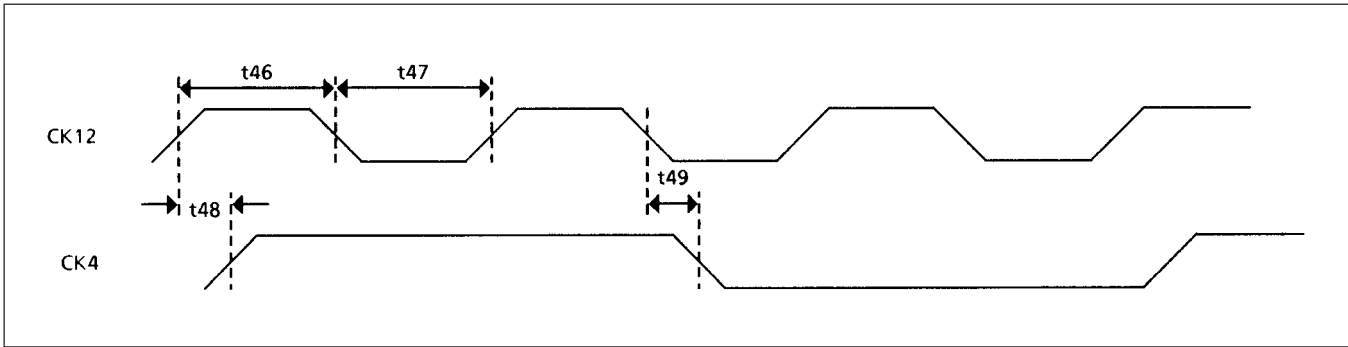


Figure 14: Clock Timing

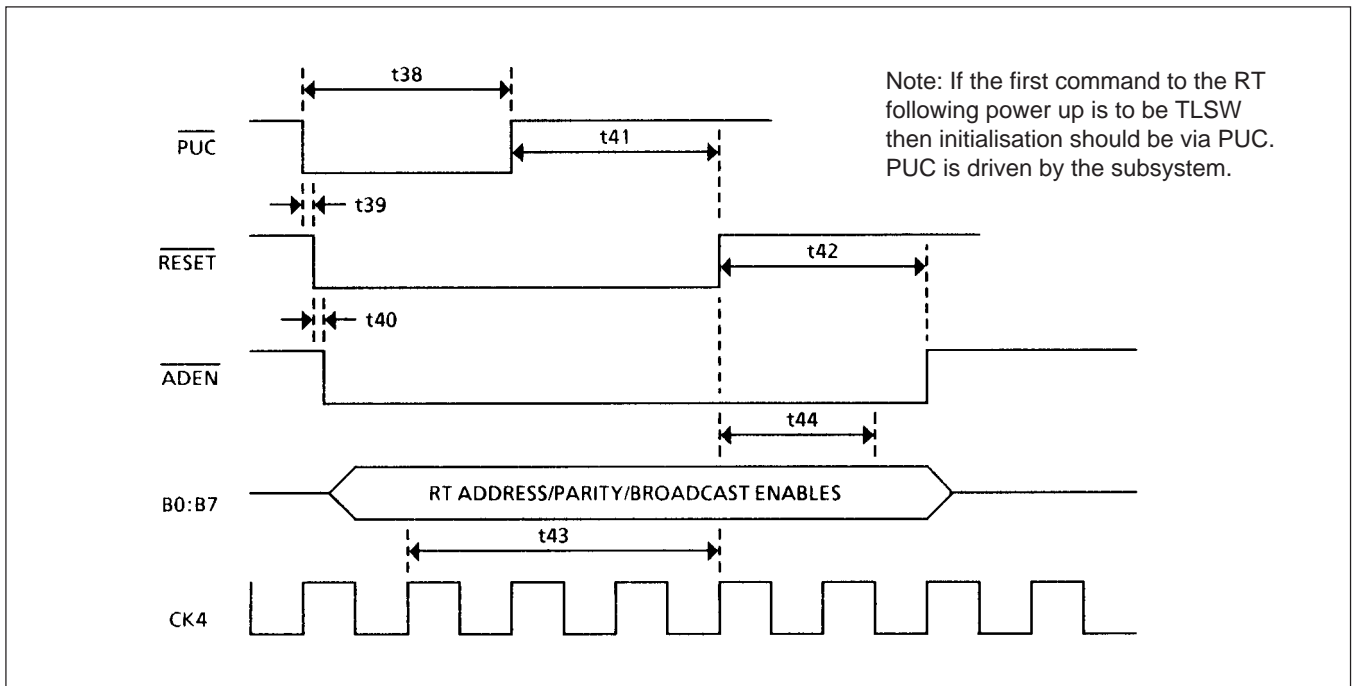


Figure 15: Power Up Clear Initialisation

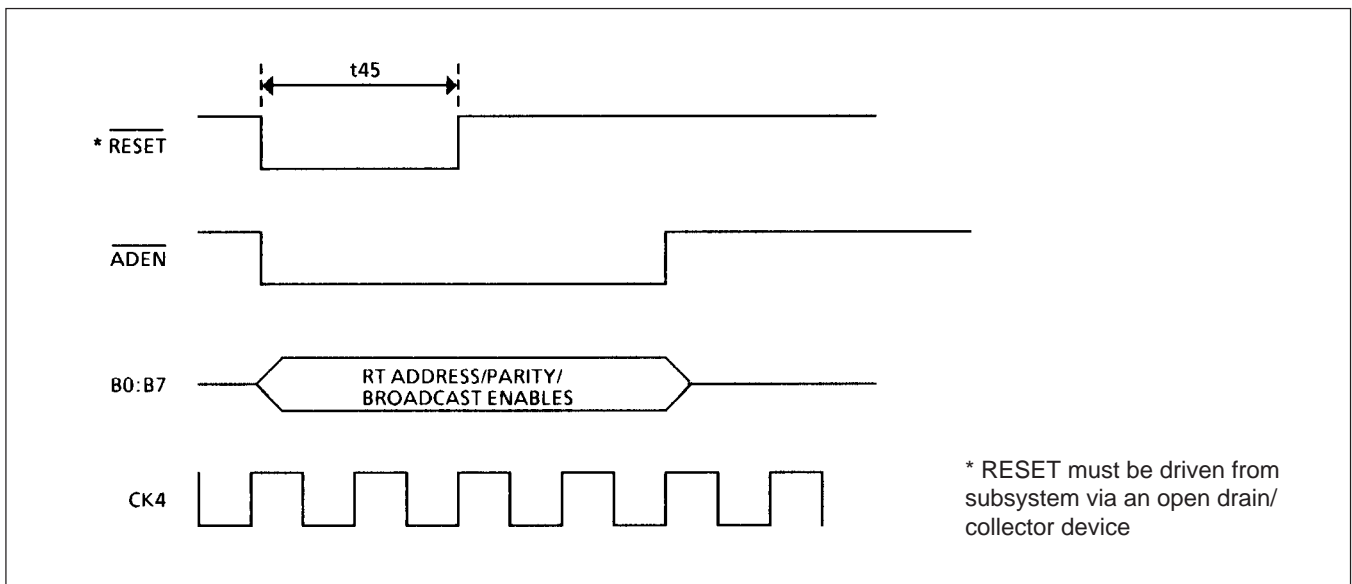


Figure 16: Subsystem Reset

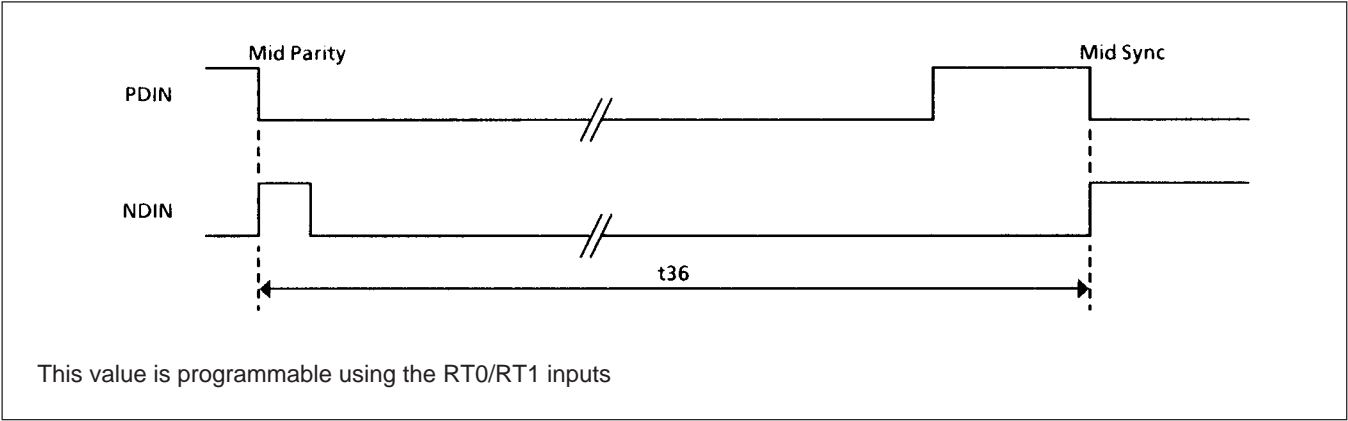


Figure 17: Minimum No Response Timeout

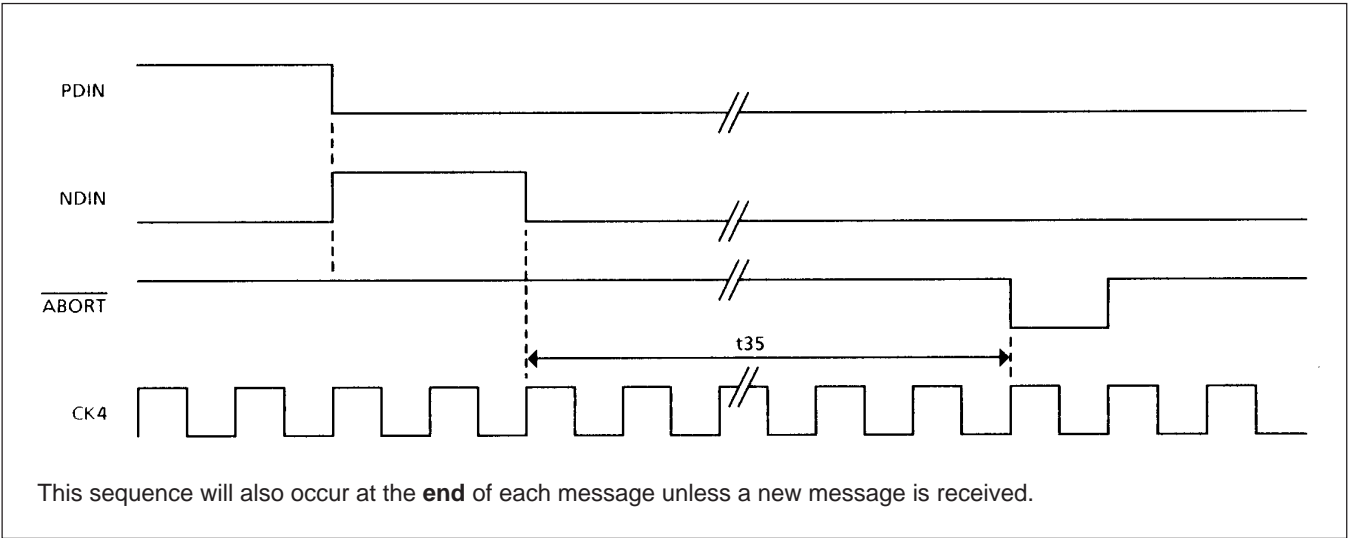


Figure 18: Abort

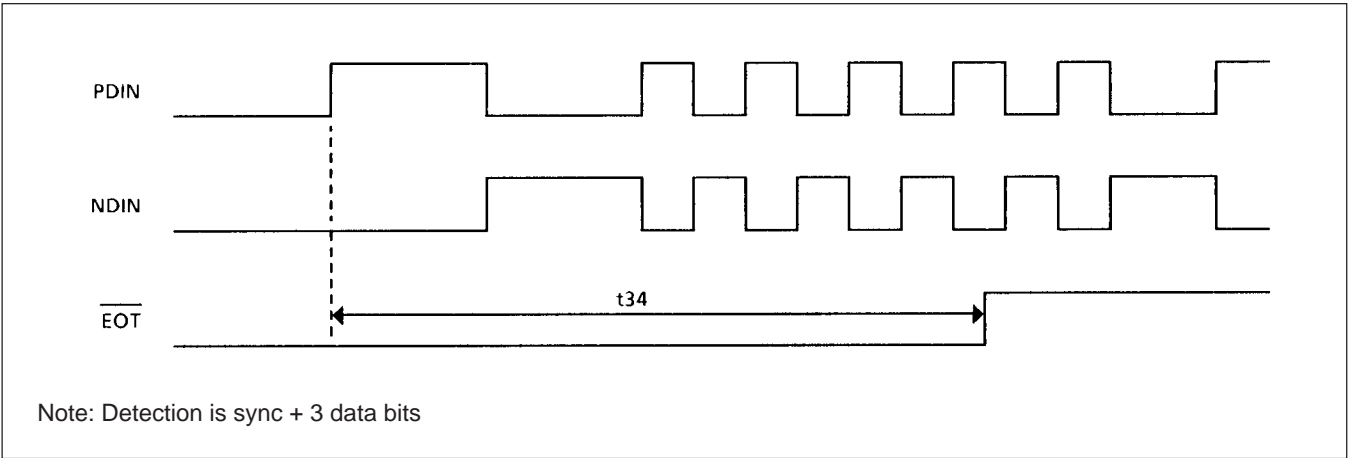


Figure 19: Start of Transmission Detect

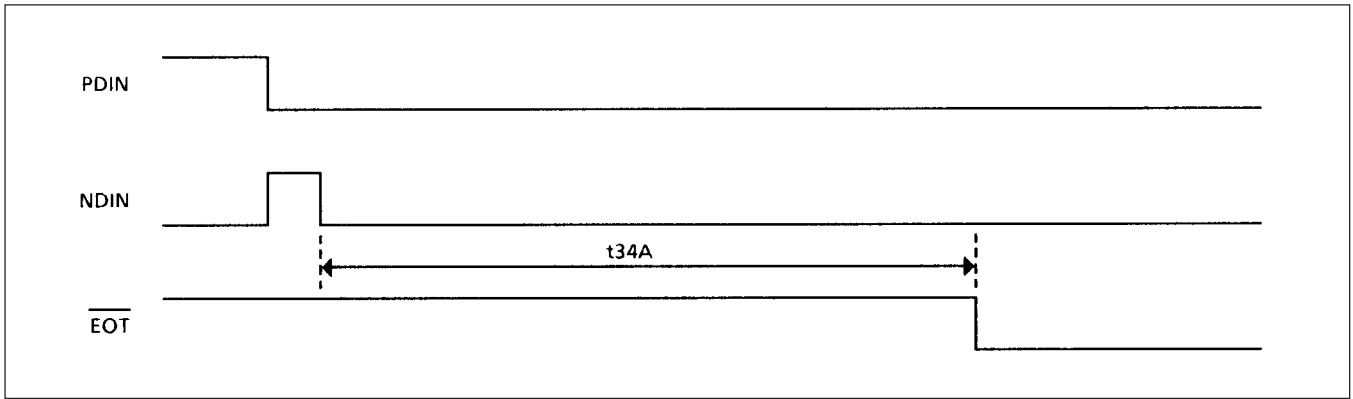


Figure 20: End of Transmission Detect

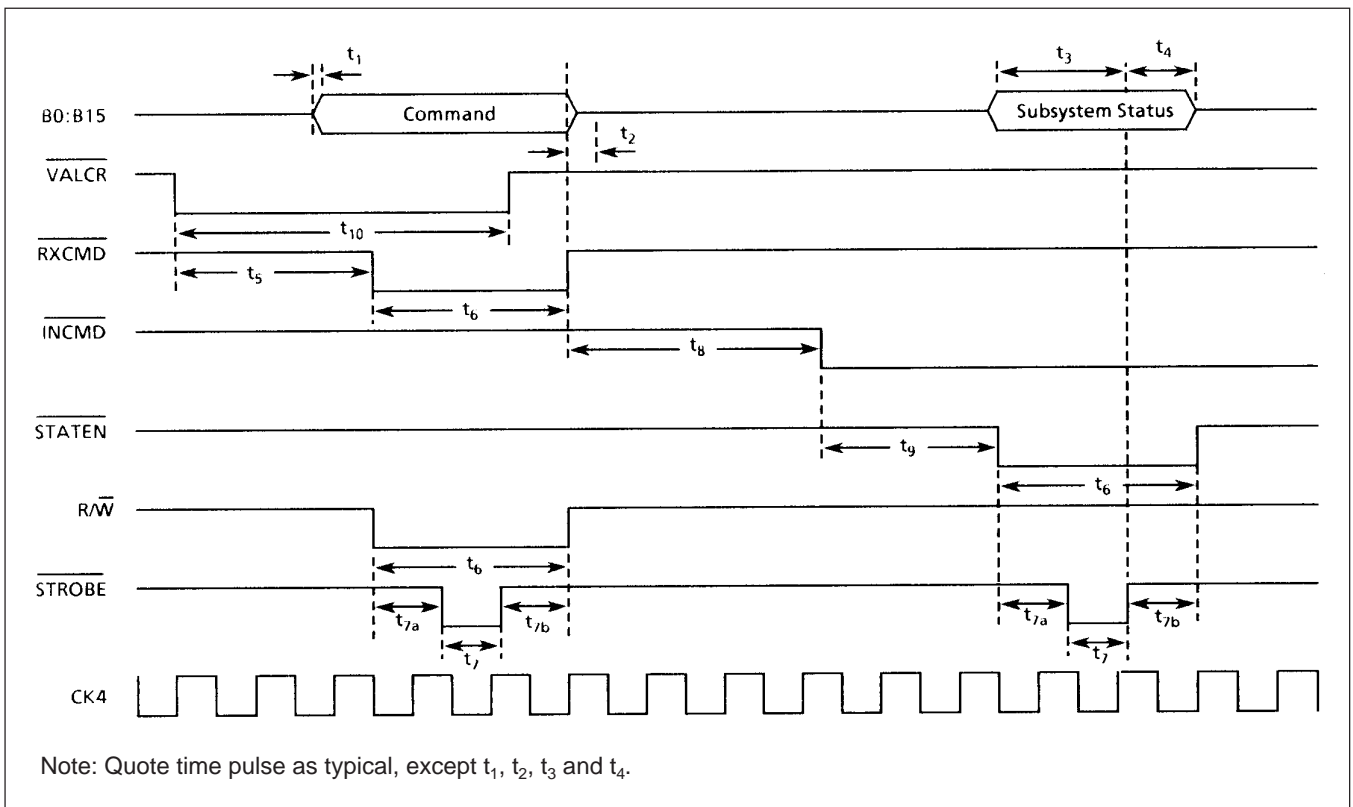


Figure 21: RT Command Reception and Subsystem Status Read

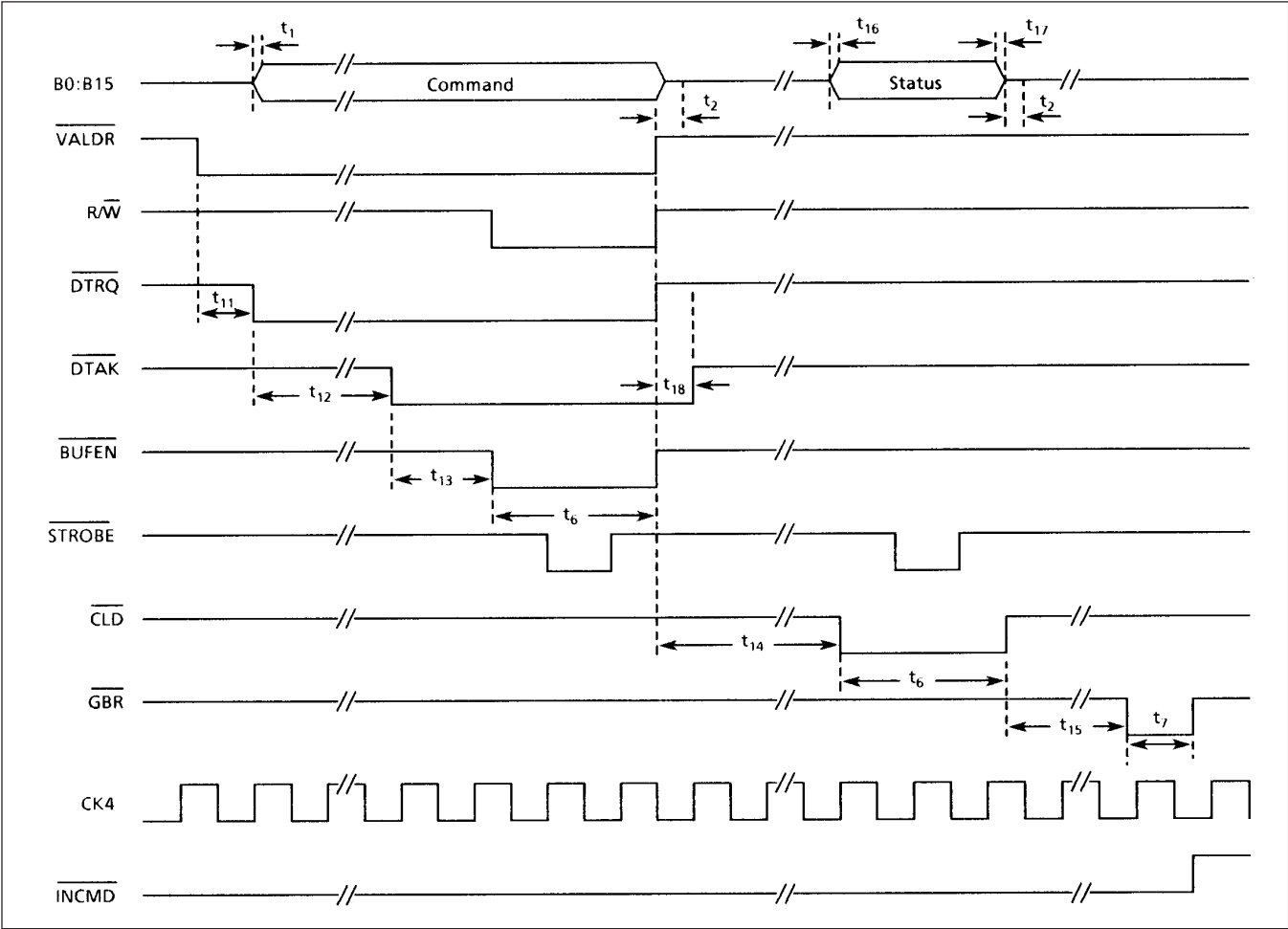
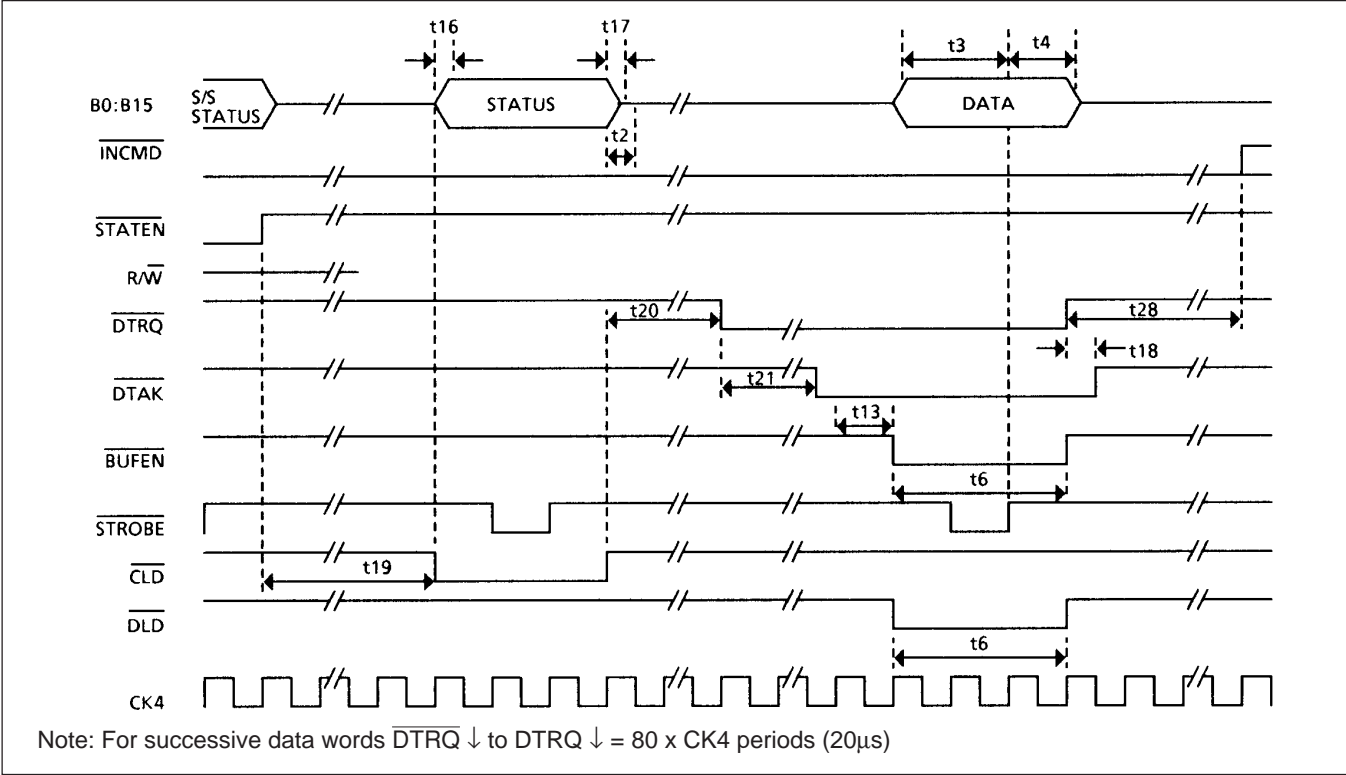


Figure 22: BC-RT Data Transfer (Non-Mode) + Status



Note: For successive data words $\overline{\text{DTRQ}} \downarrow$ to $\text{DTRQ} \downarrow = 80 \times \text{CK4}$ periods (20 μs)

Figure 23: RT Status + RT-BC Data Transfer (Non Mode)

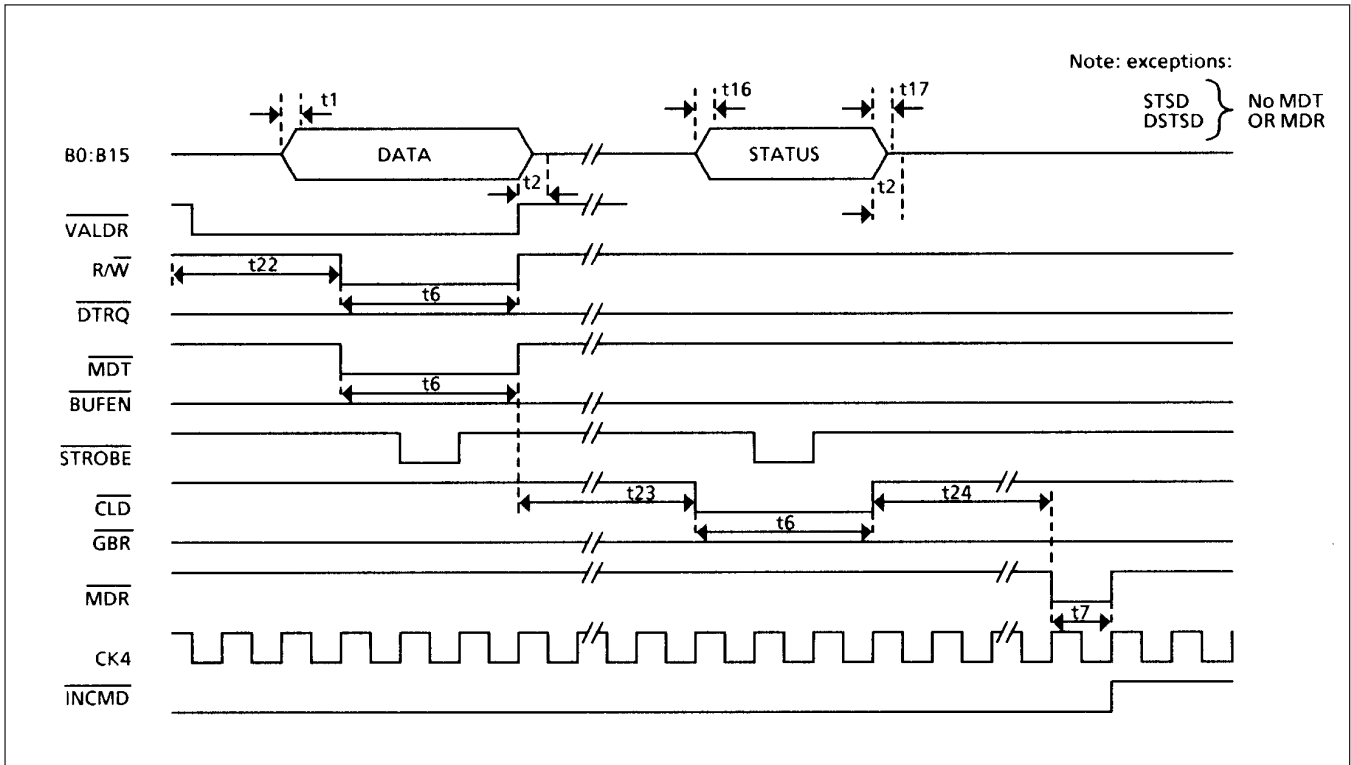


Figure 24: Received Mode Data Transfer + Status

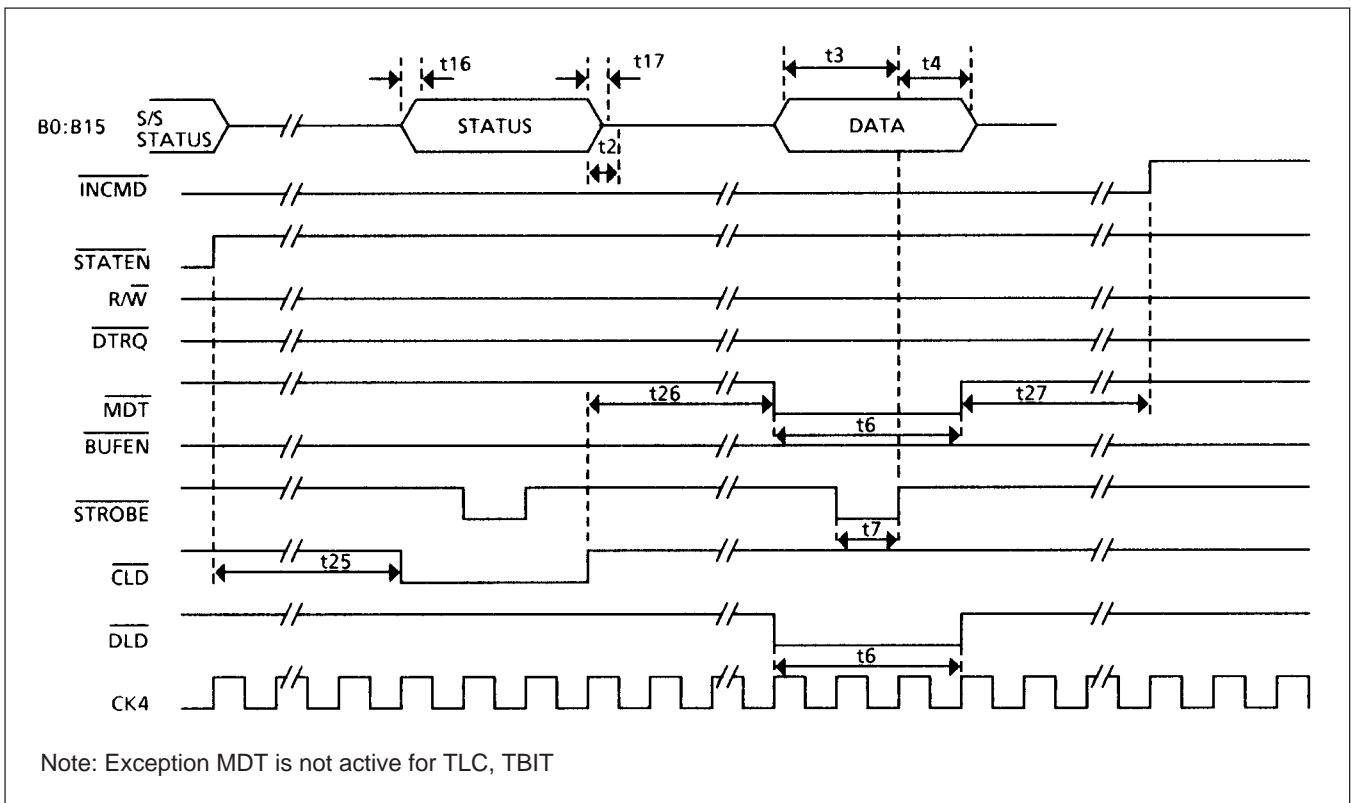


Figure 25: RT Status + Transfer Mode Data Transfer

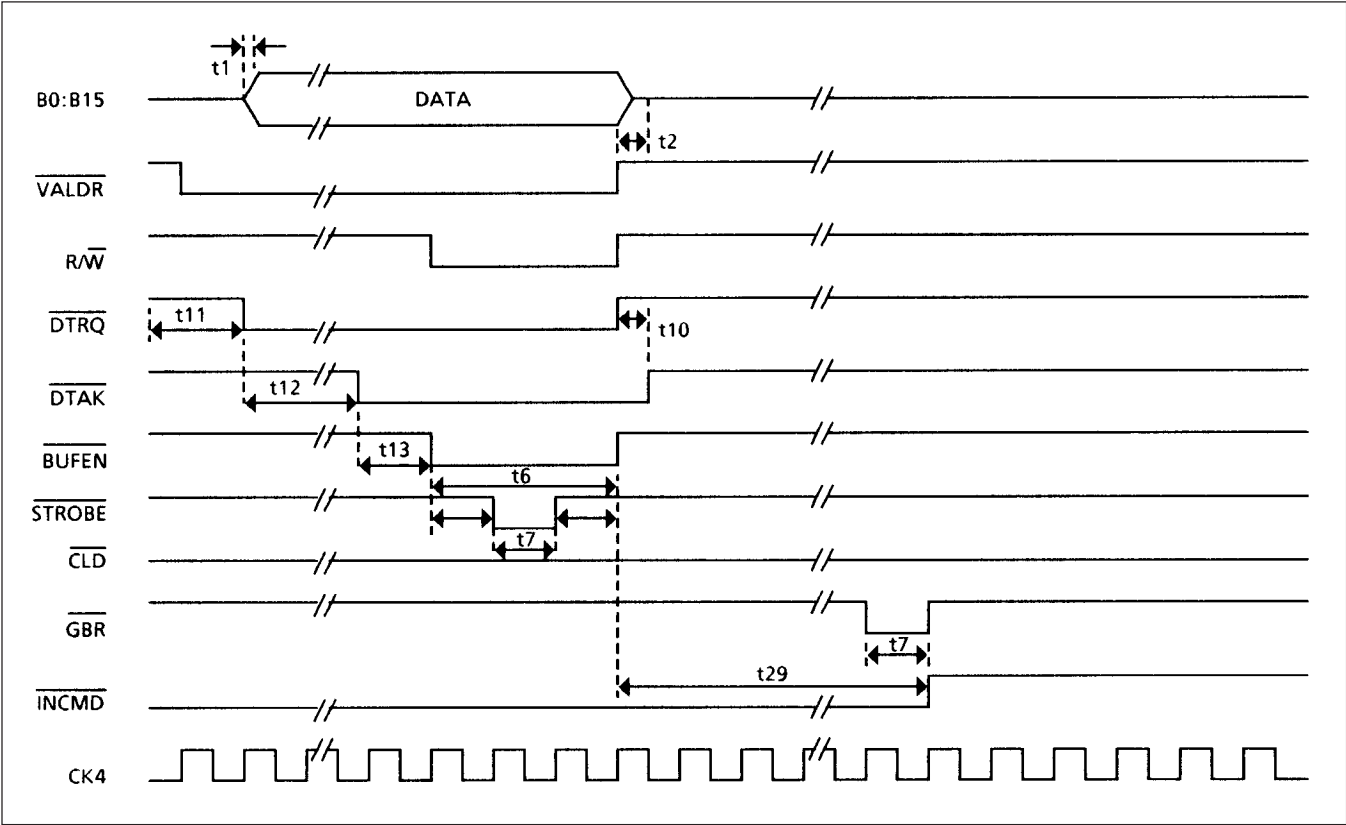


Figure 26: Broadcast BC-RT Data Transfer (Non Mode)

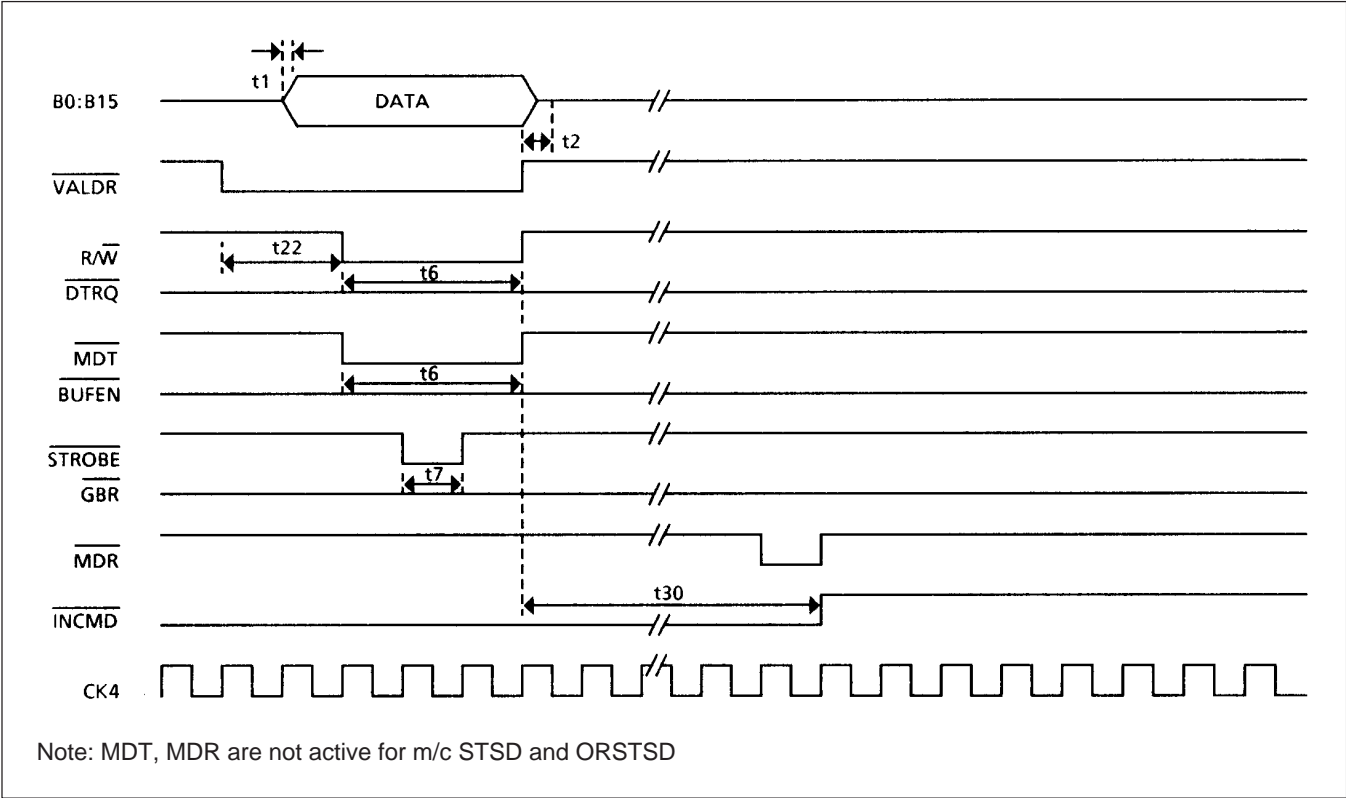


Figure 27: RT-Broadcast Received Mode Data Transfer

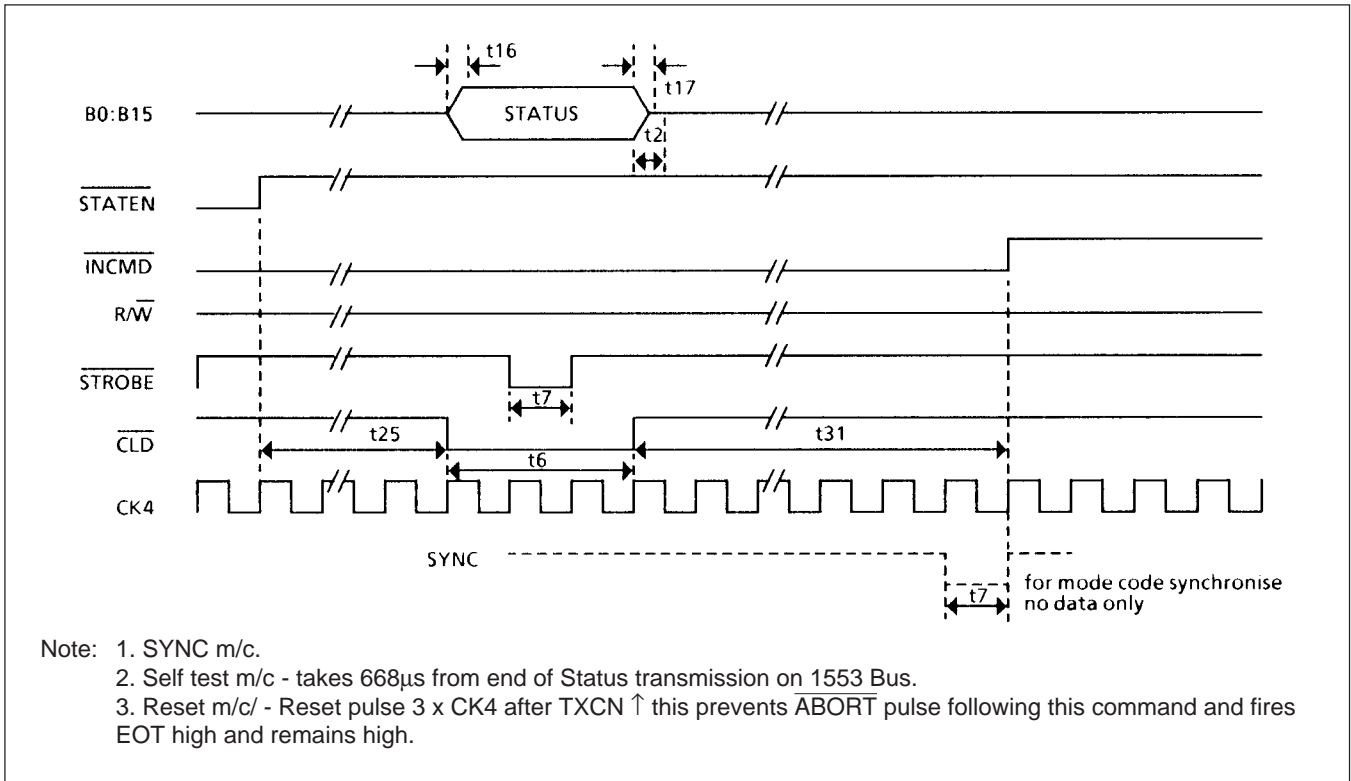


Figure 28: Mode Command No Data (TIR)

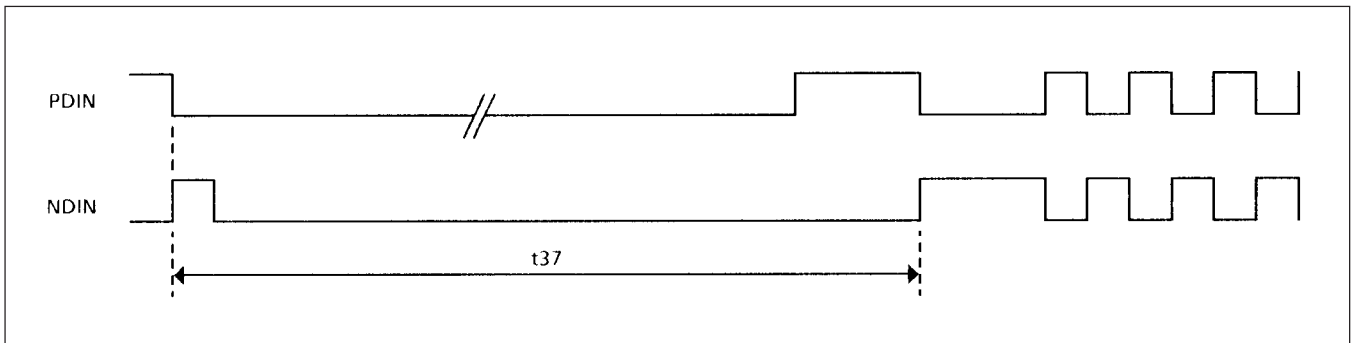


Figure 29: Remote Terminal Response Time

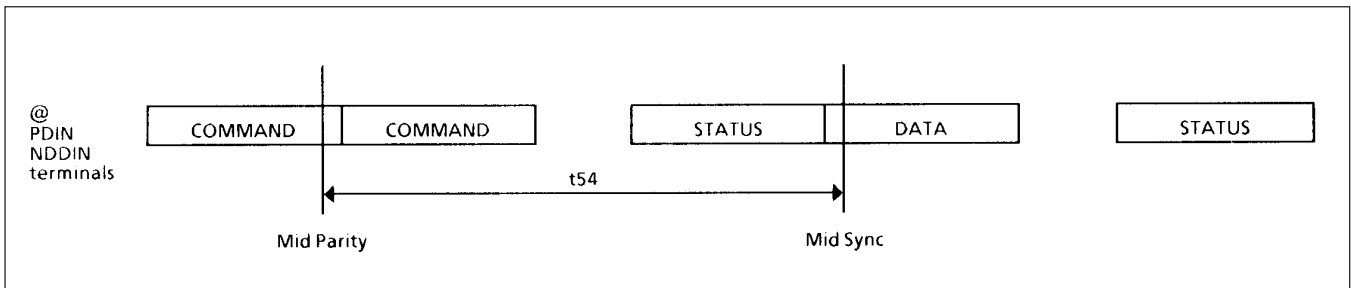


Figure 30: RT-RT Validation Timeout

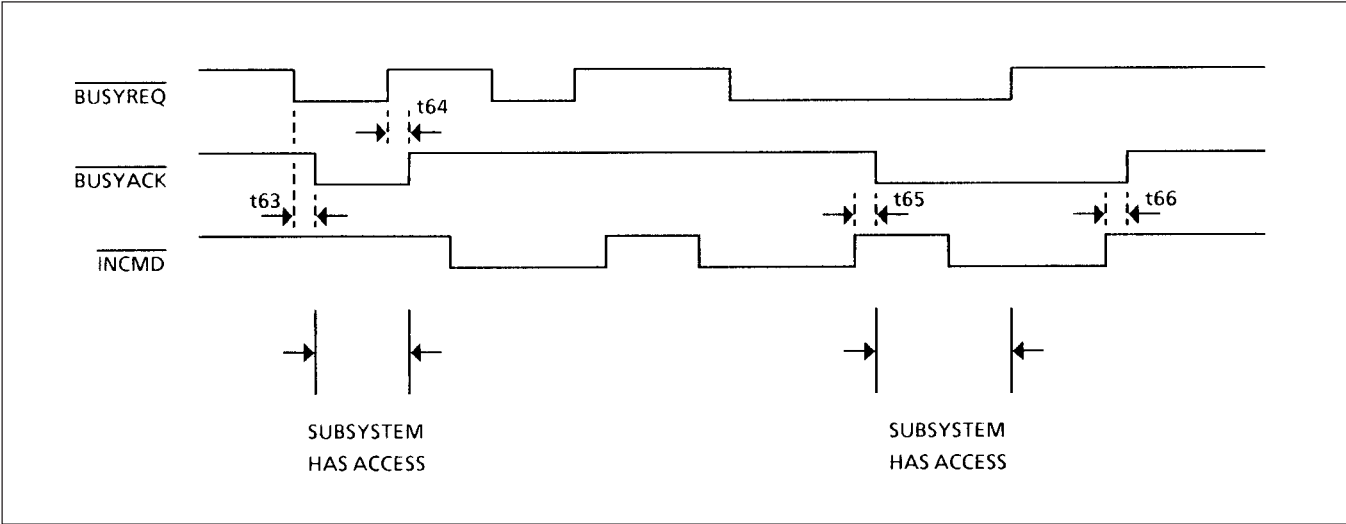


Figure 31: Remote Terminal Busy Handshake

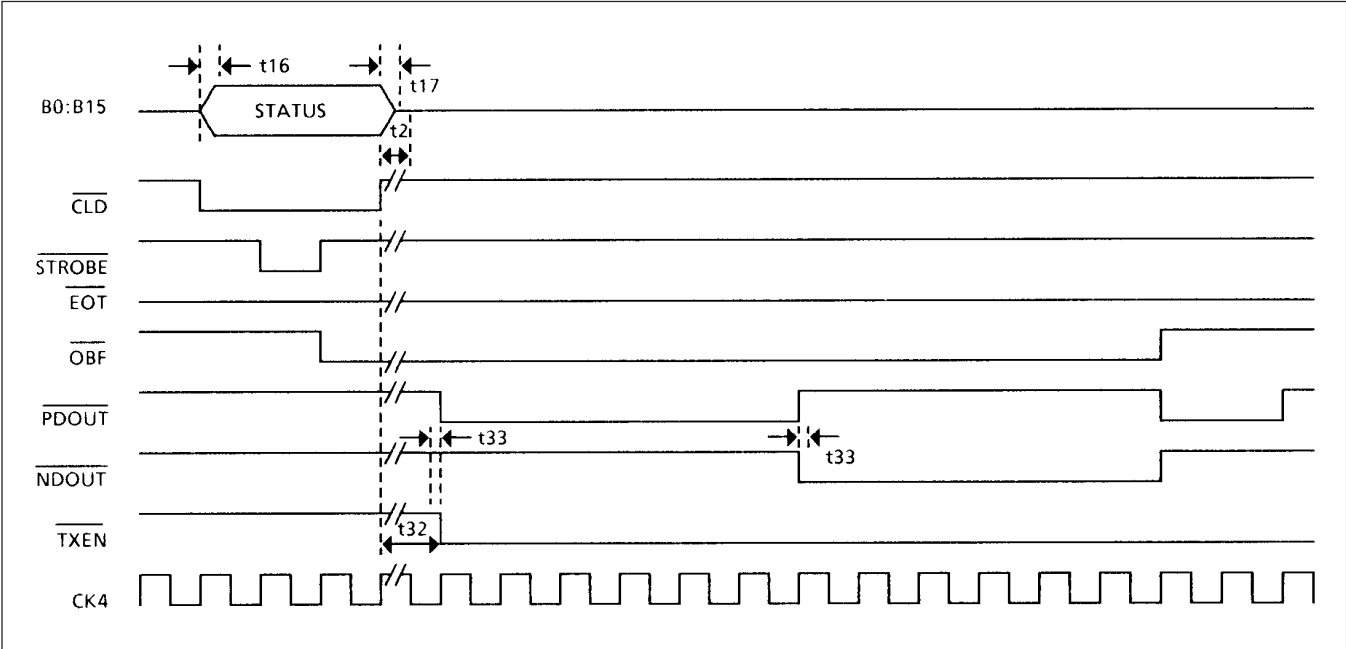


Figure 32: RT Status Load

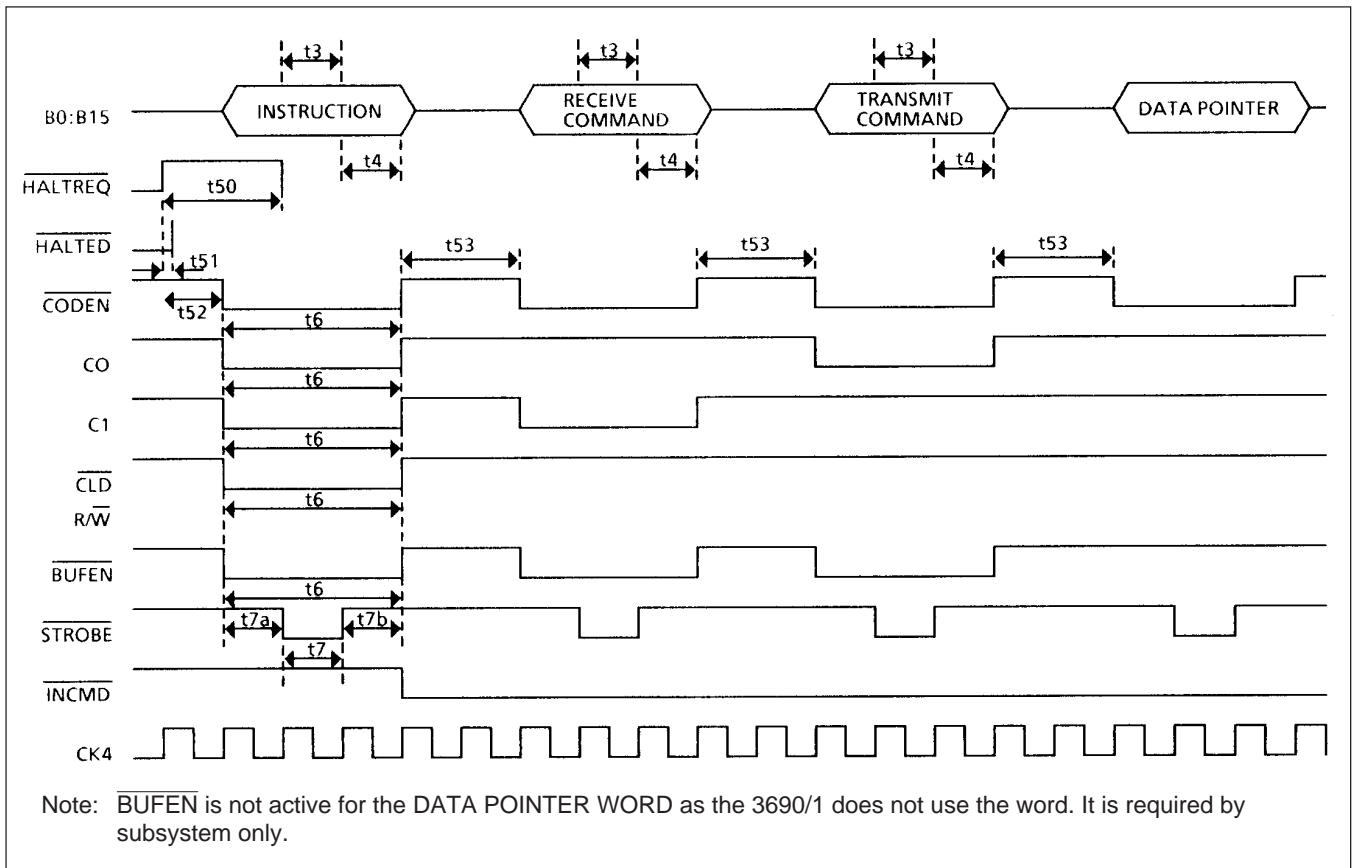


Figure 33: BC-Message Fetch Sequence

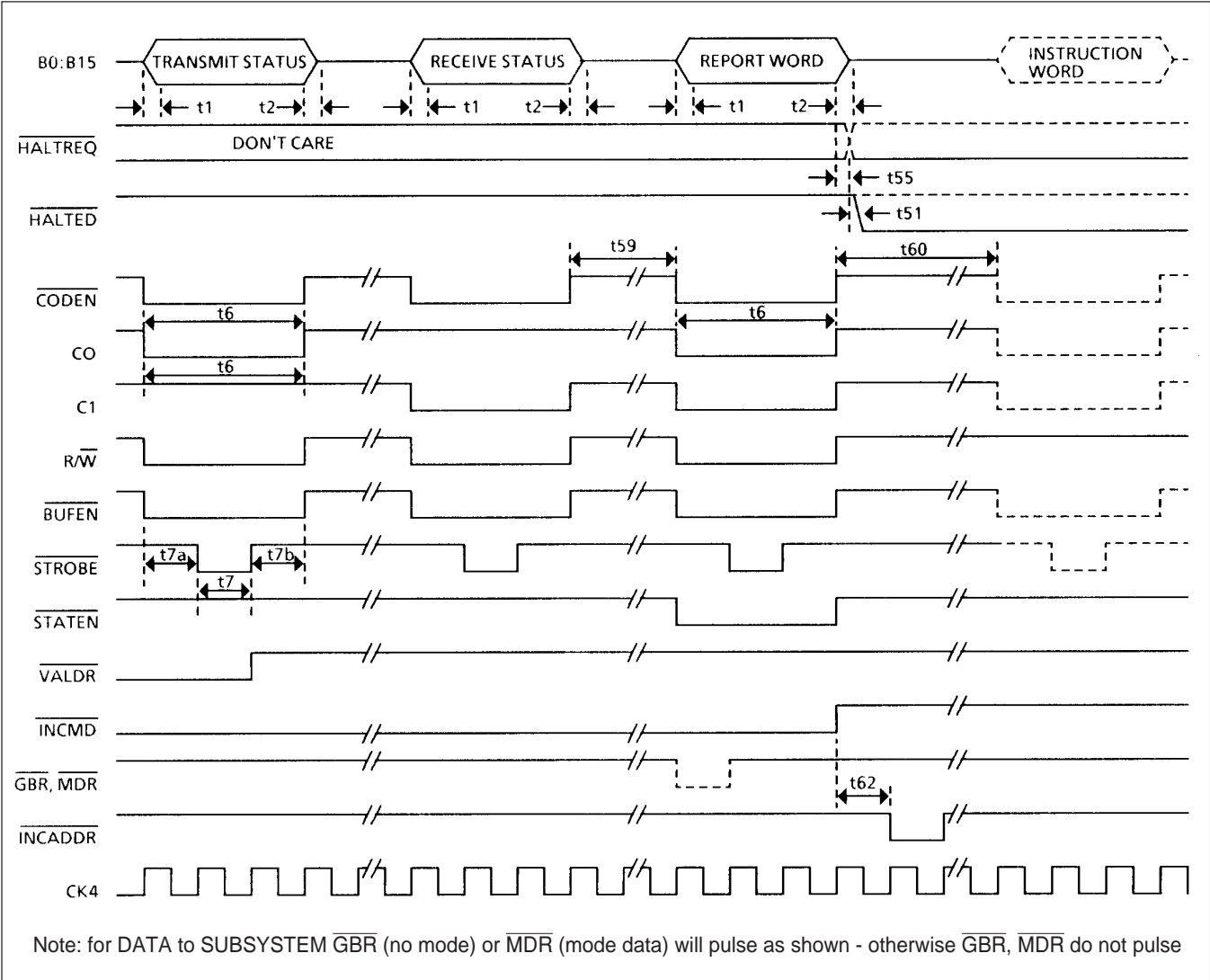


Figure 34: BC-Report Cycle (shown for RT-RT no data to subsystem)

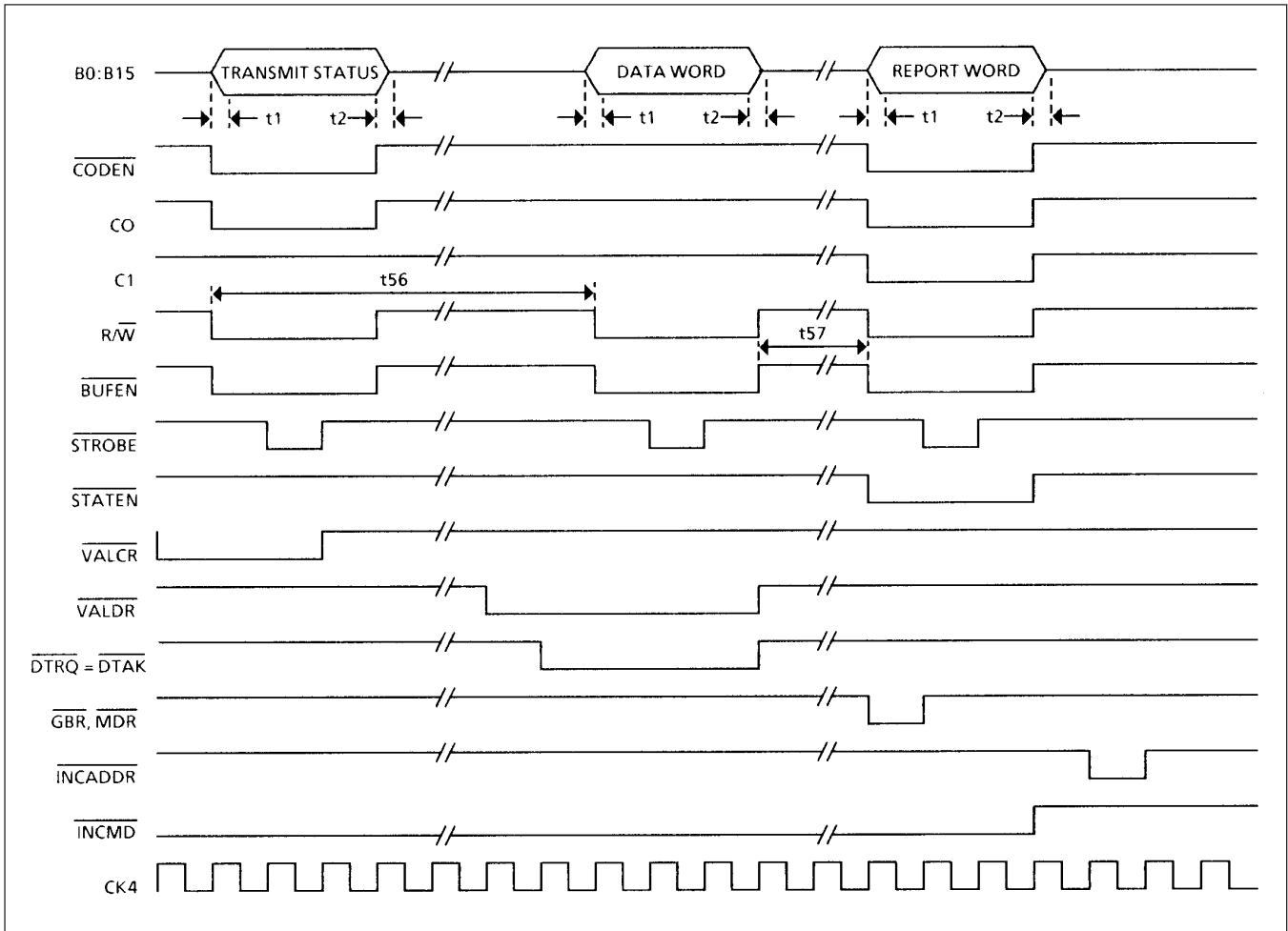


Figure 35: RT-BC Report Cycle

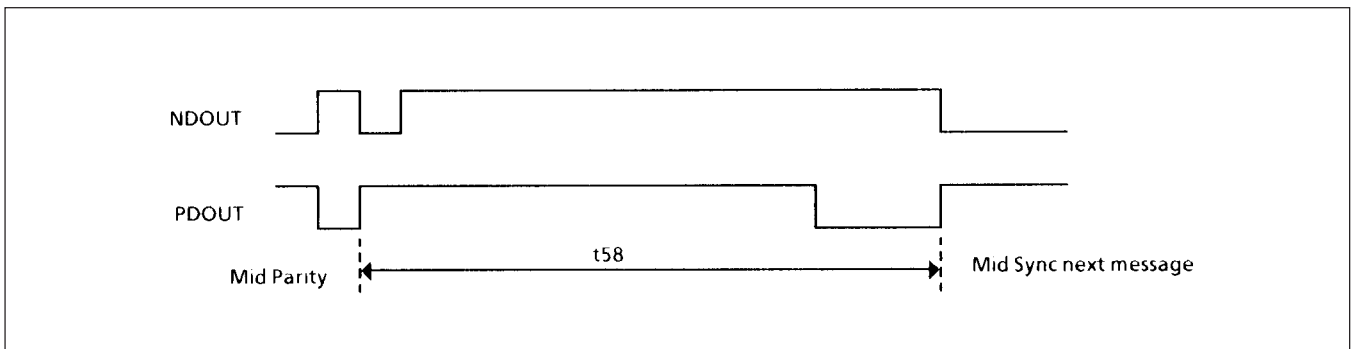


Figure 36: BC Intermessage Gap

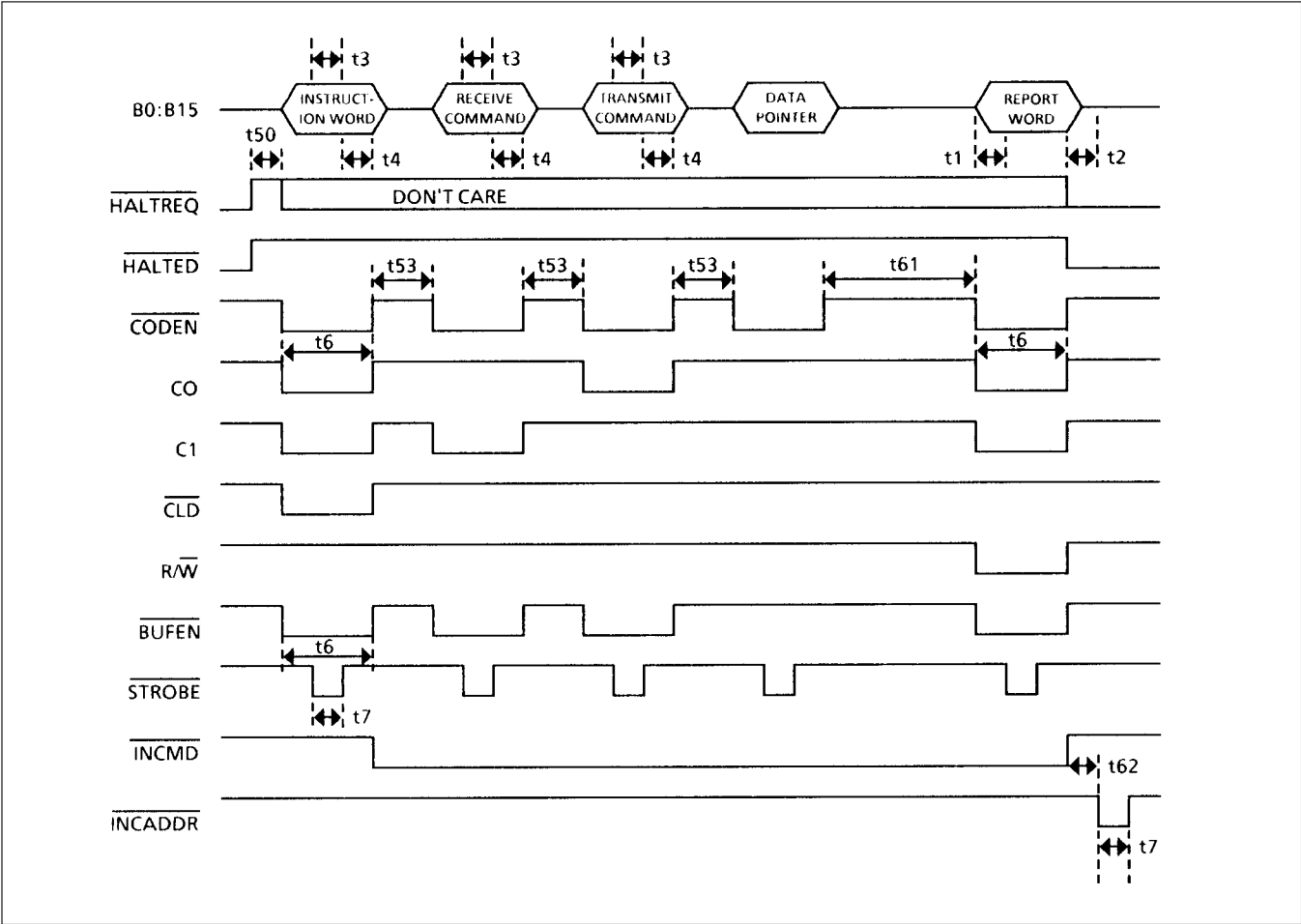


Figure 37: BC - No Operation

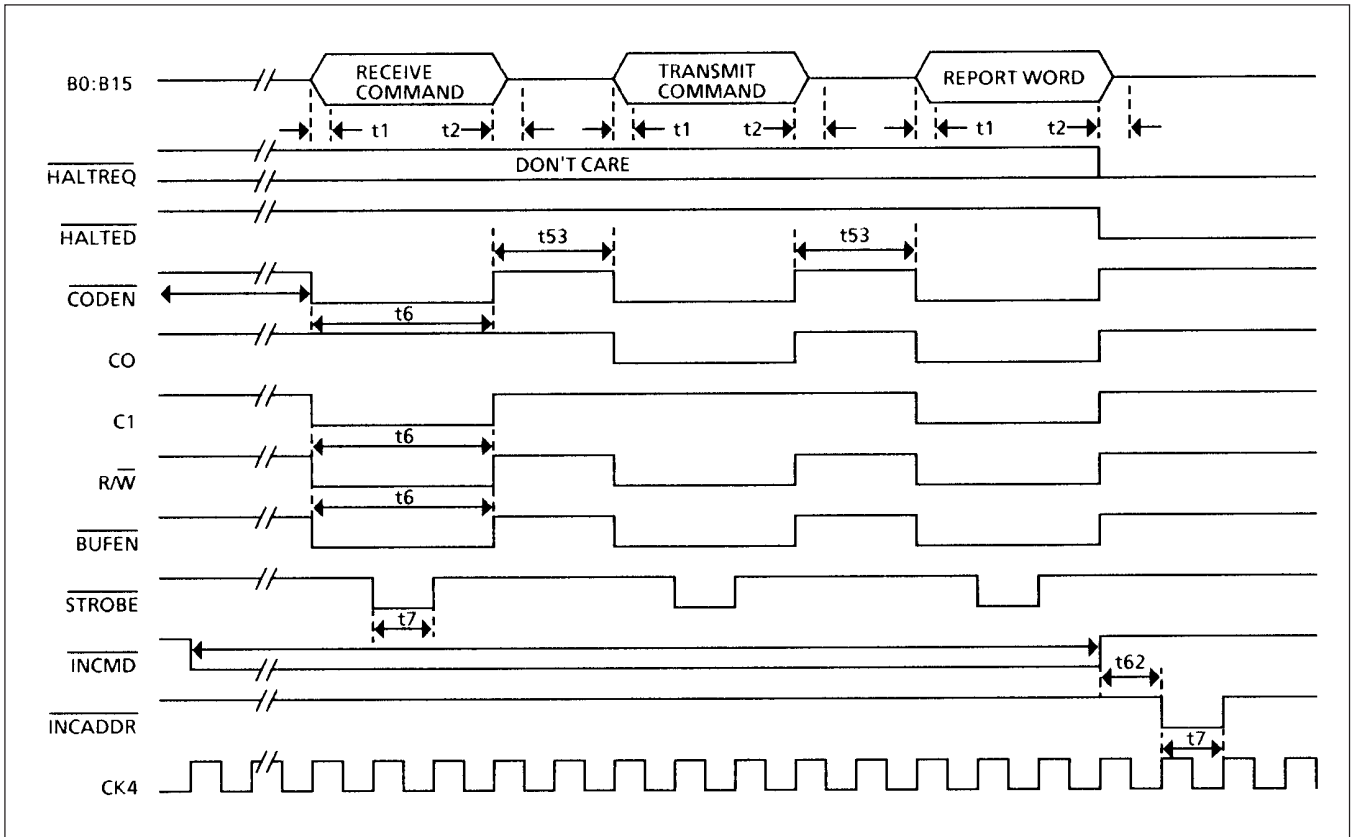


Figure 38: BC - Self Test (Report Sequence)

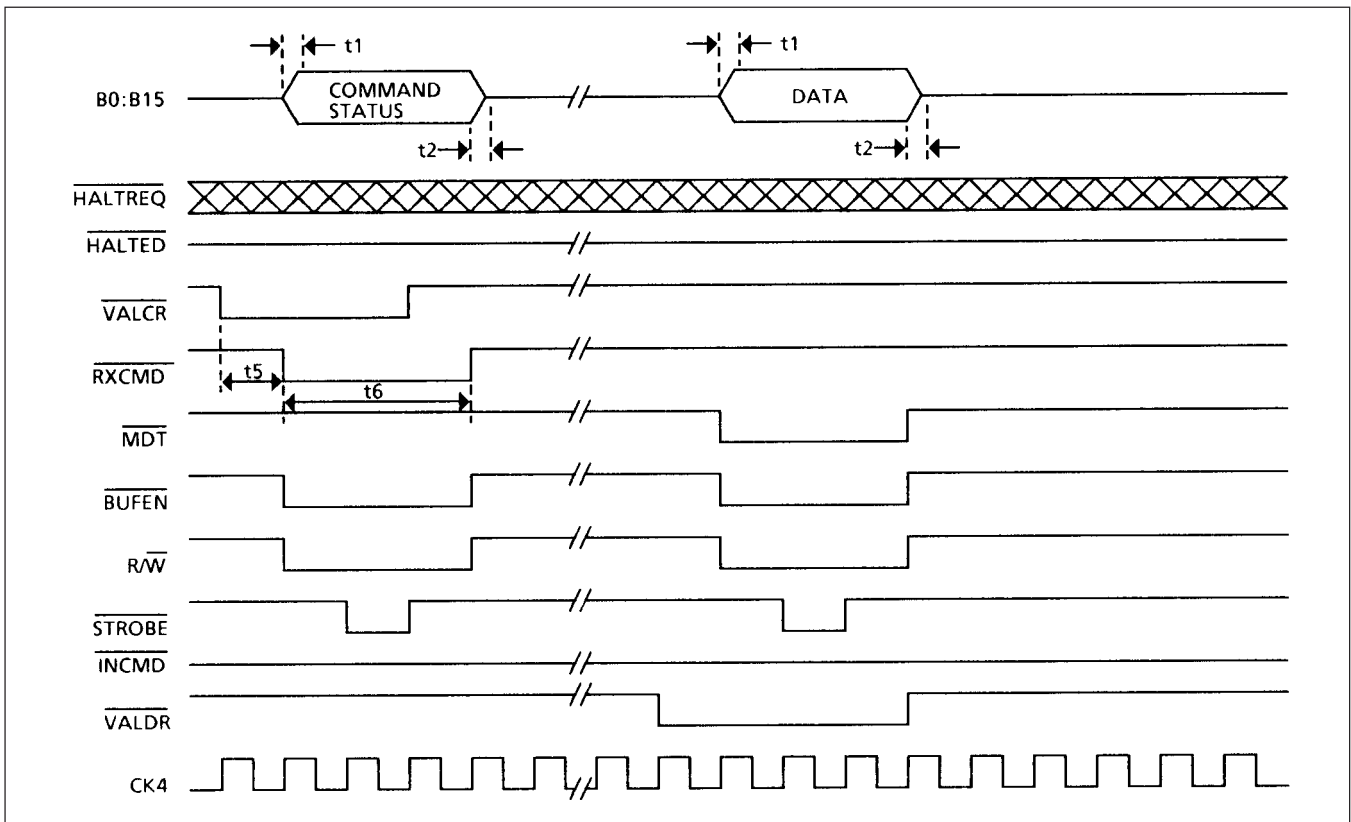


Figure 39: BC - Passive Monitor

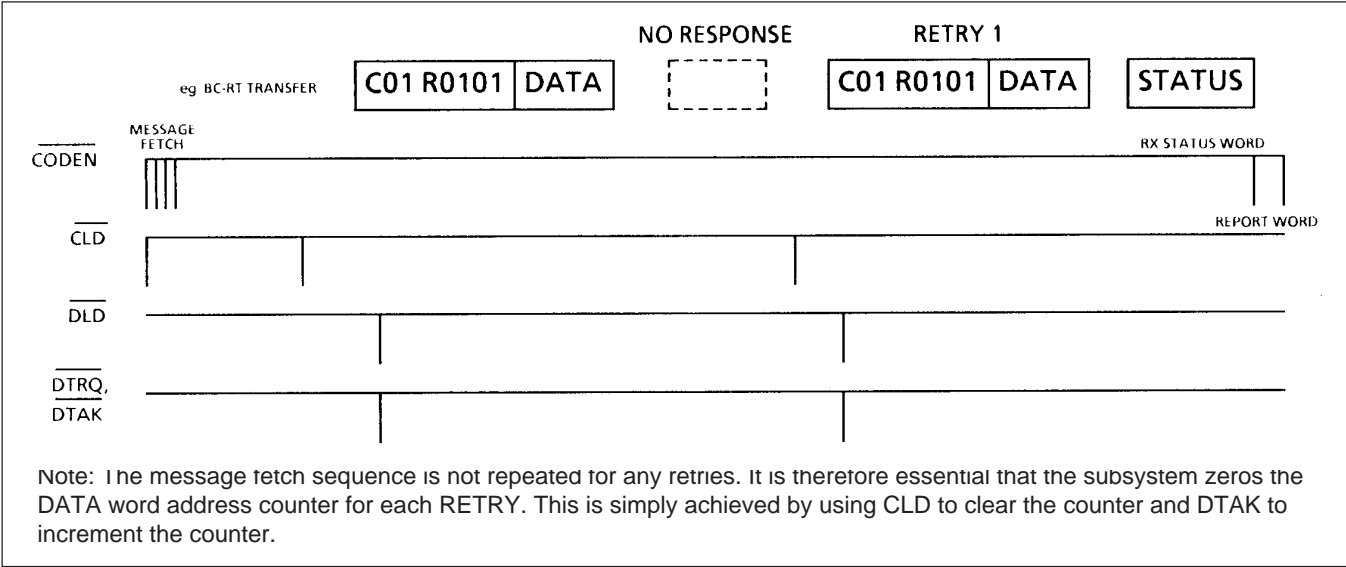


Figure 40: BC - Retry

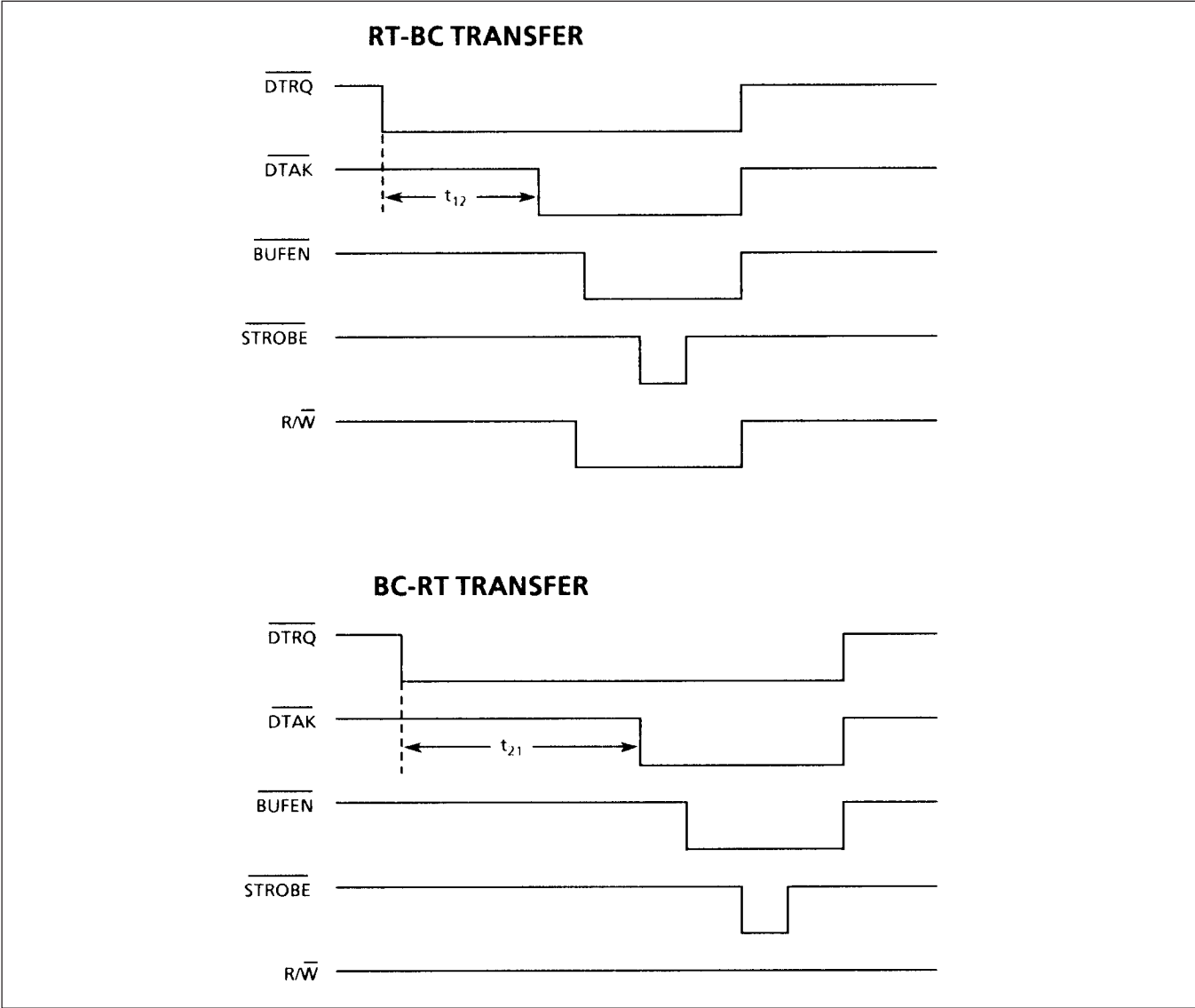


Figure 41: BC - Data Transfer Handshake

OUTLINES

Ref.	Min.	Nom.	Max.
A	-	-	4.37 (0.172)
A ₁	1.016 (0.04)	-	1.53 (0.060)
b	0.40 (0.016)	-	0.508 (0.020)
c	0.20 (0.009)	-	0.305 (0.012)
D	-	-	61.57 (2.424)
e	-	2.54 (0.100)	-
e ₁	-	15.24 (0.600)	-
H	4.71 (0.185)	-	5.38 (0.212)
M _E	-	-	15.75 (0.620)
W	-	-	1.53 (0.060)

Dimensions in mm (inches)

GPS XG426

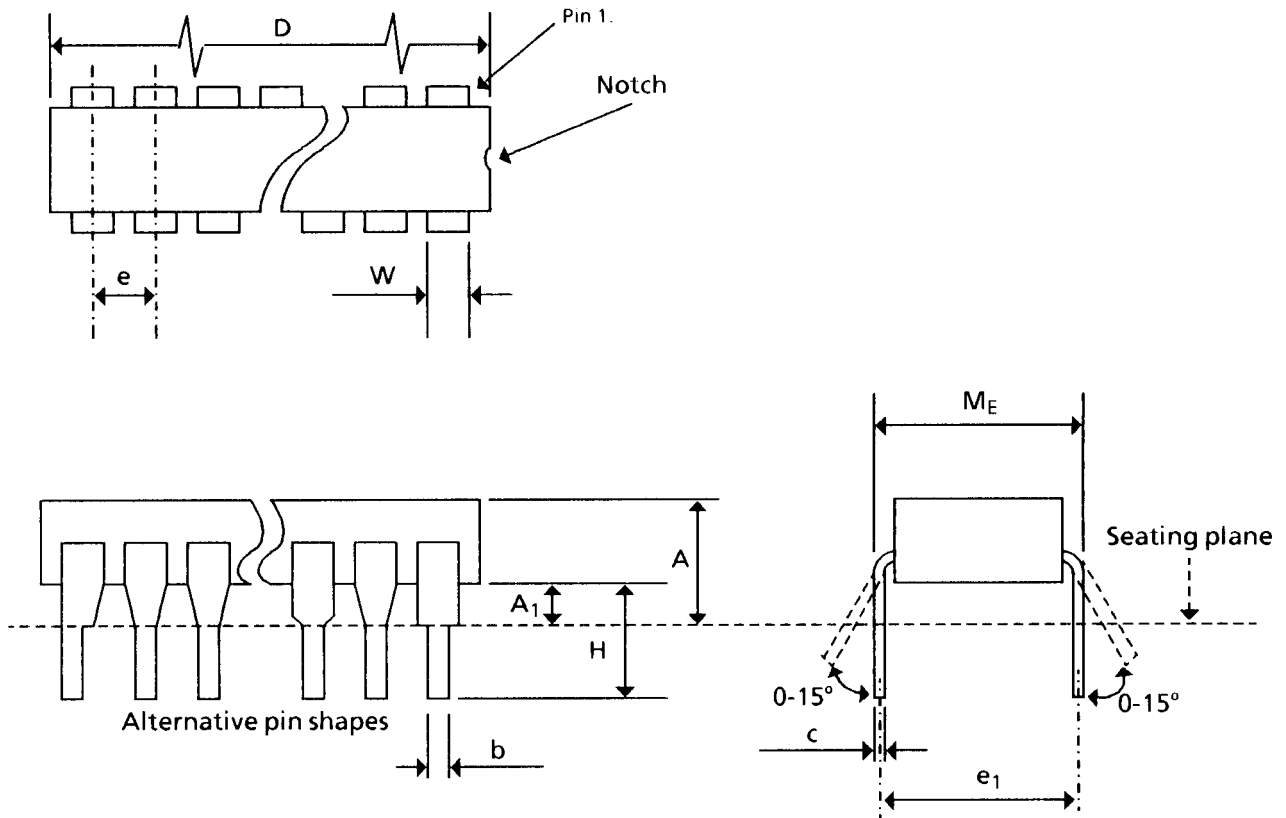


Figure 42a: 48-Lead Ceramic DIL (solder seal) - Package Style C

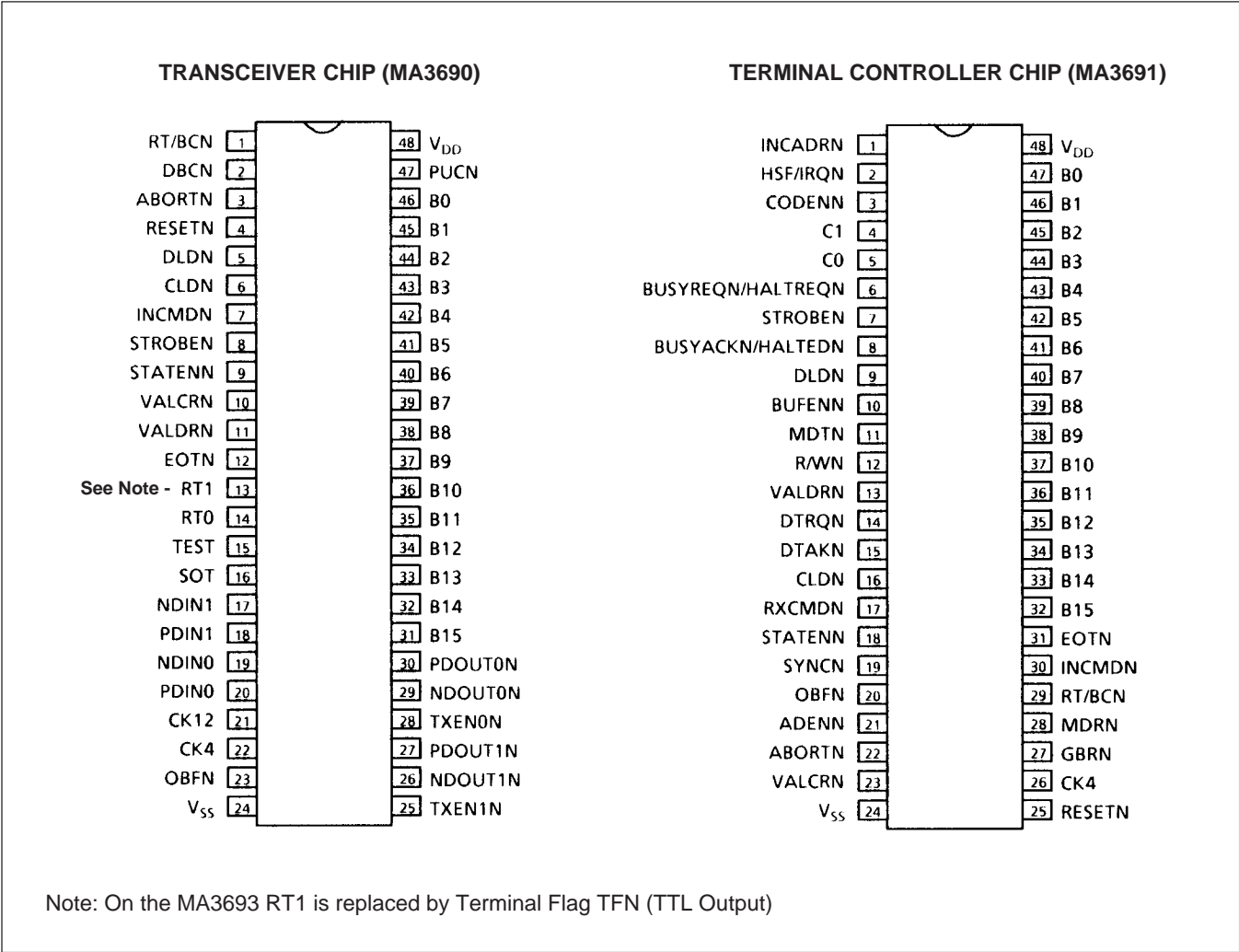
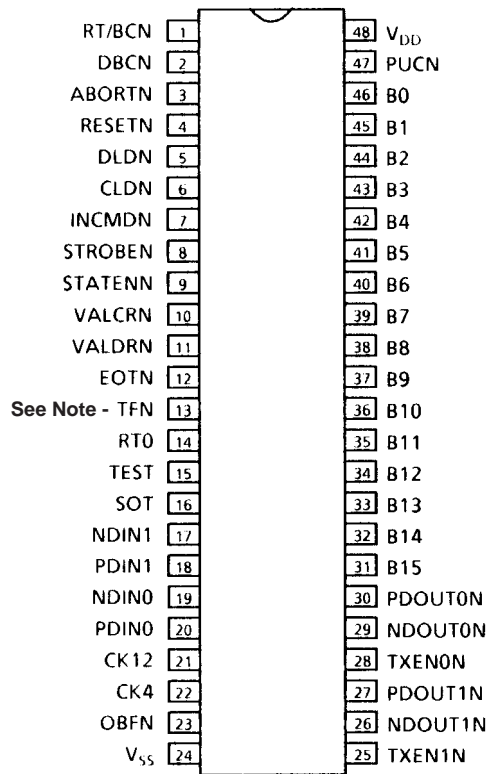


Figure 42b: 48-Lead Ceramic DIL (solder seal) - Package Style C

TRANSCEIVER CHIP (MA3693)
 (For applications that require access to Terminal Flag)



Note: The MA3693 has Terminal Flag (TFN) latched signal OUTPUT on pin 13 (TTL).
 This replaces the RT1 signal INPUT that is used on the MA3690 standard version.

Figure 42c: 48-Lead Ceramic DIL (solder seal) - Package Style C

Ref.	Min.	Nom.	Max.
A	-	-	2.1 (0.083)
A ₁	0.96 (0.038)	-	1.07 (0.042)
b	0.41 (0.016)	-	0.51 (0.020)
c	0.178 (0.007)	-	0.254 (0.010)
D1,D2	-	-	23.11 (0.910)
E	15.54 (0.612)	-	15.95 (0.628)
e	-	1.27 (0.050)	-
L	8.89 (0.350)	-	9.27 (0.365)
Z	1.73 (0.068)	-	2.16 (0.085)

Dimensions in mm (inches)

GPS XG487

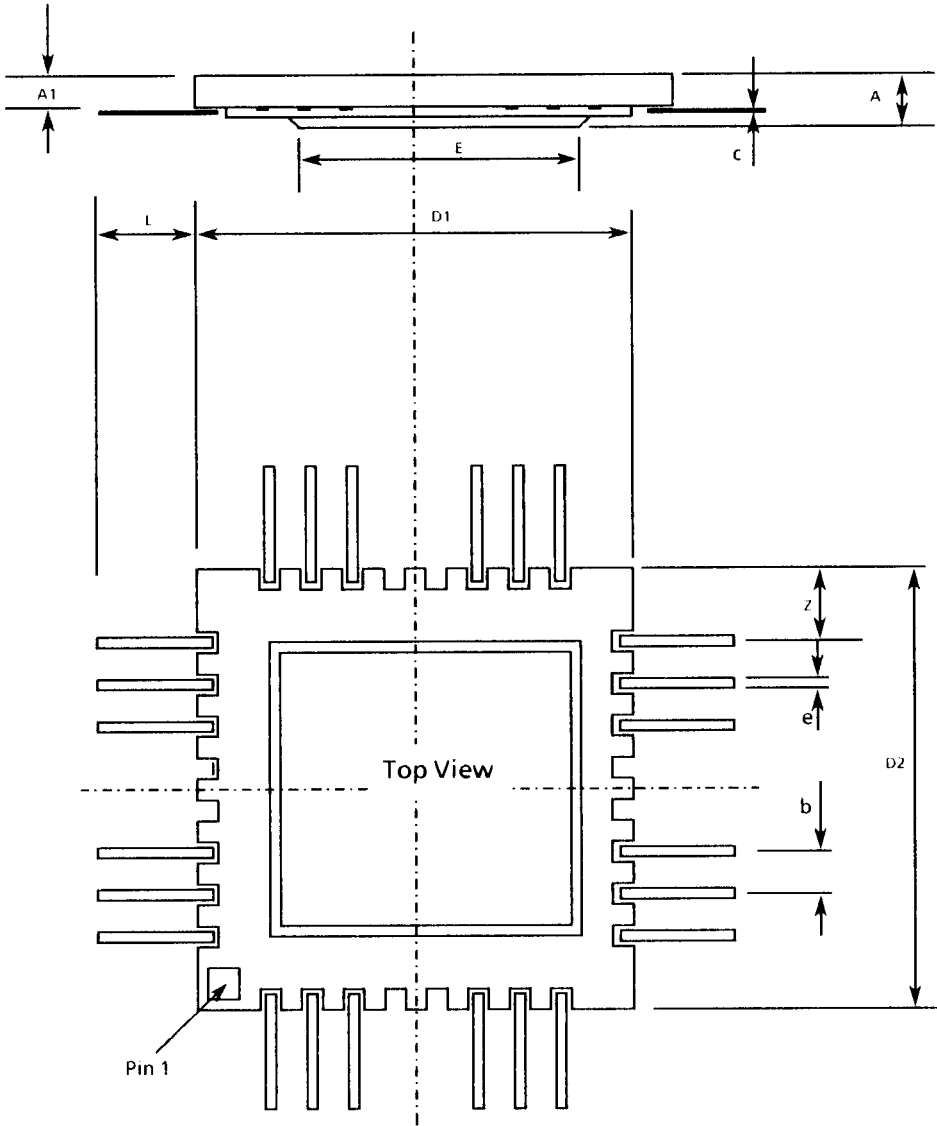


Figure 43a: 64-Lead Topbraze Flatpack (Package Style F)

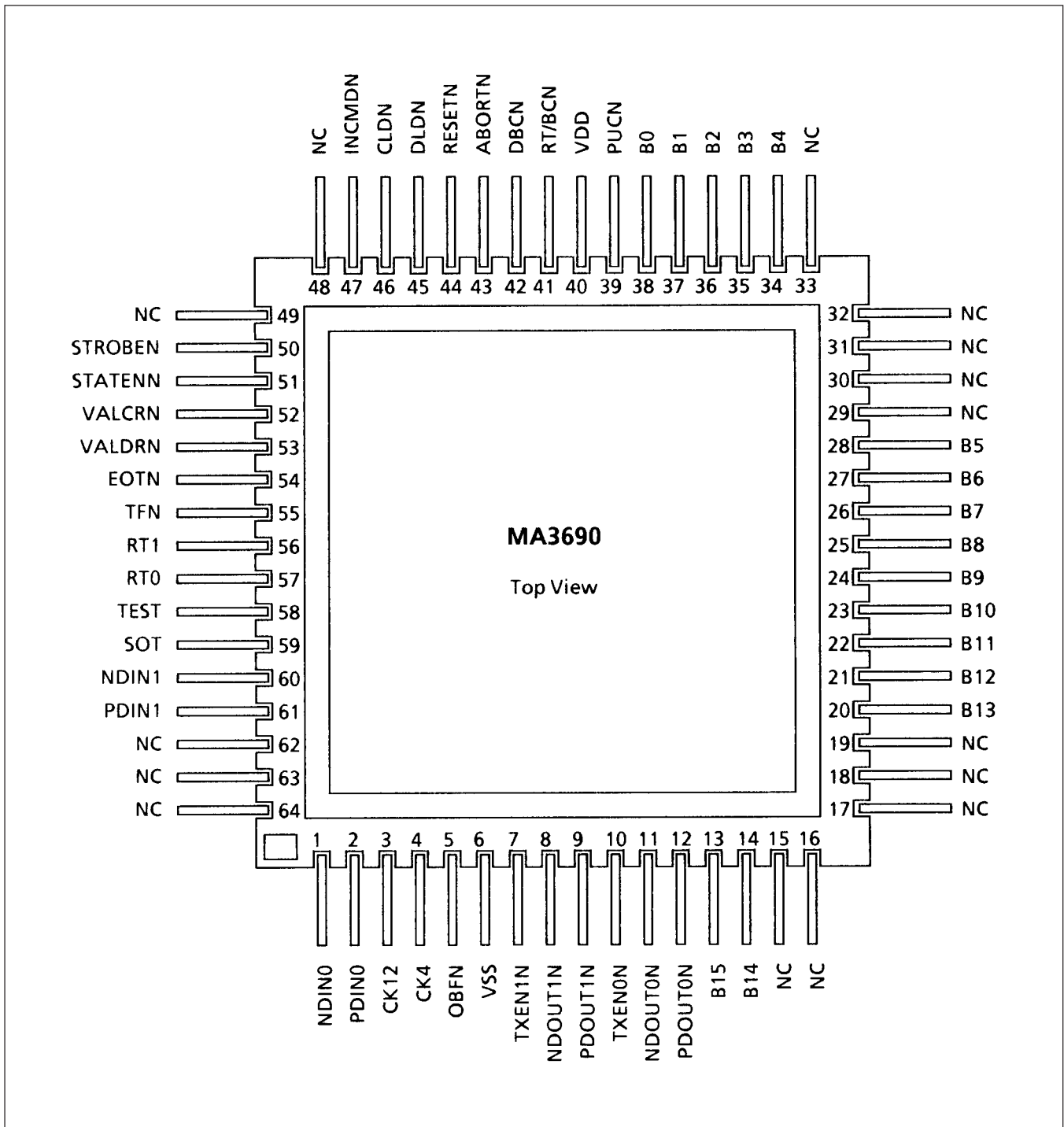


Figure 43b: 64-Lead Topbraze Flatpack (Package Style F)

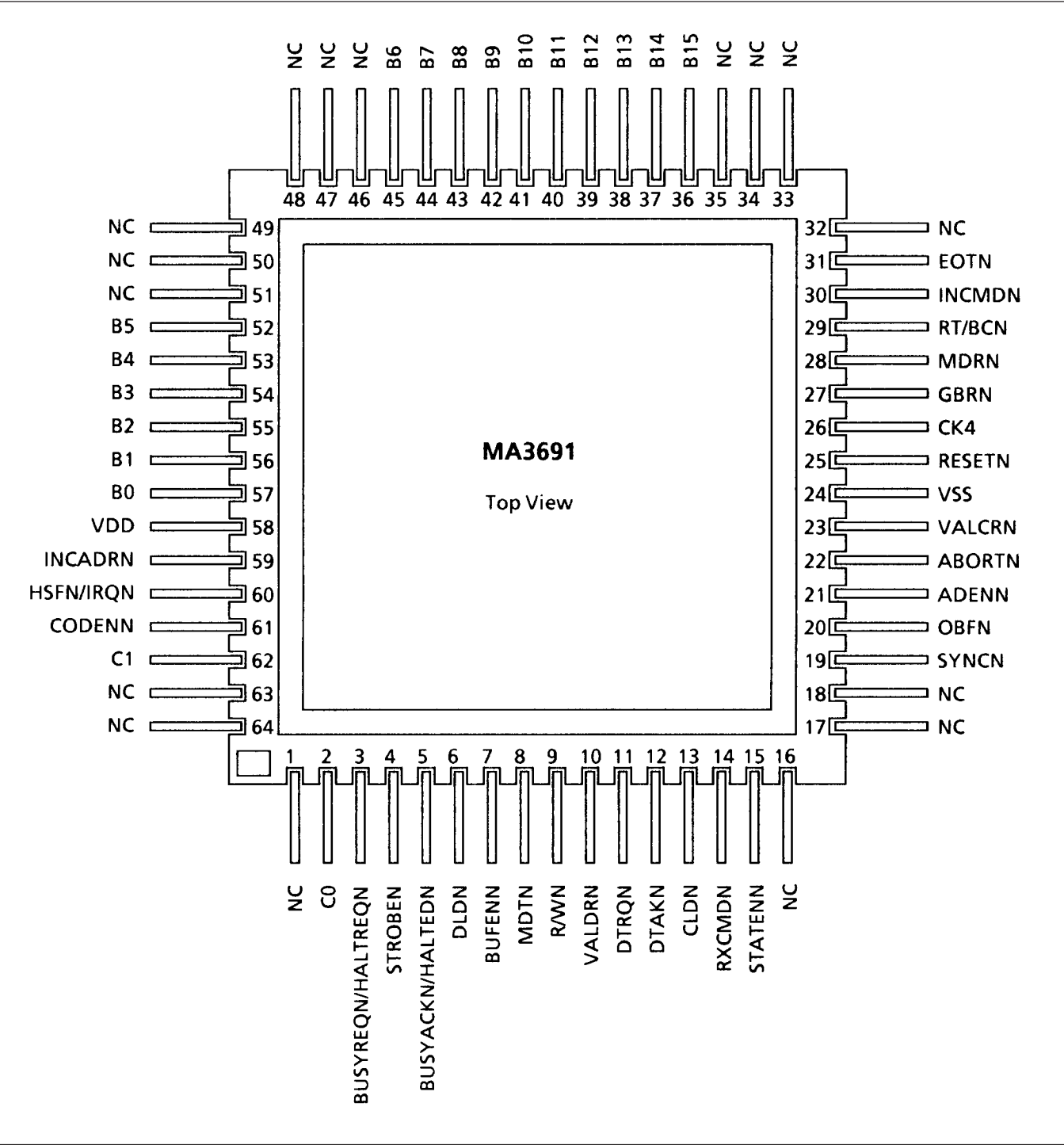


Figure 43c: 64-Lead Topbrazed Flatpack (Package Style F)

RADIATION TOLERANCE

Total Dose Radiation Testing

For product procured to guaranteed total dose radiation levels, each wafer lot will be approved when all sample devices from each lot pass the total dose radiation test.

The sample devices will be subjected to the total dose radiation level (Cobalt-60 Source), defined by the ordering code, and must continue to meet the electrical parameters specified in the data sheet. Electrical tests, pre and post irradiation, will be read and recorded.

GEC Plessey Semiconductors can provide radiation testing compliant with Mil-Std-883 test method 1019, Ionizing Radiation (Total Dose).

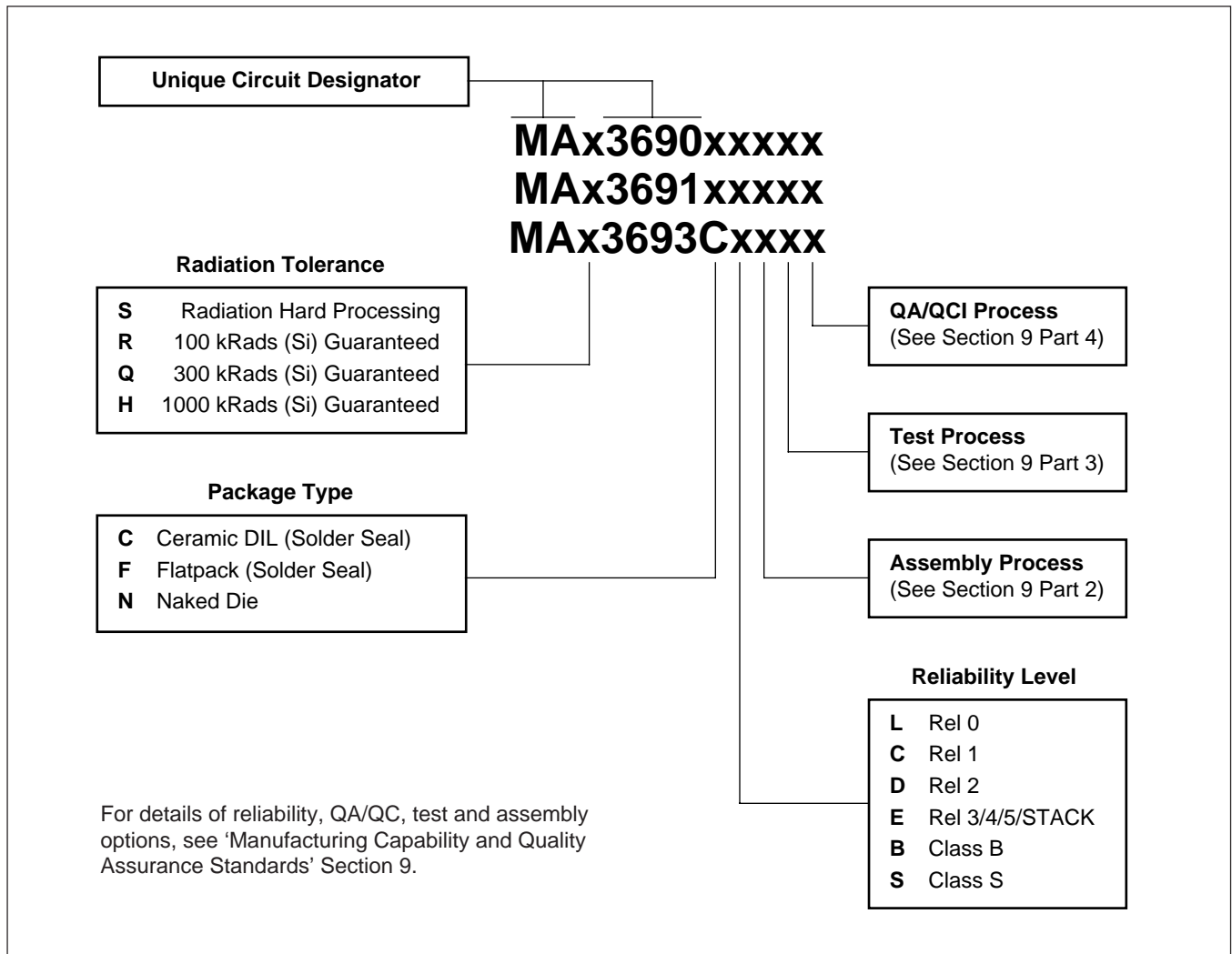
Total Dose (Function to specification)*	3x10 ⁵ Rad(Si)
Transient Upset (Stored data loss)	5x10 ¹⁰ Rad(Si)/sec
Transient Upset (Survivability)	>1x10 ¹² Rad(Si)/sec
Neutron Hardness (Function to specification)	>1x10 ¹⁵ n/cm ²
Single Event Upset**	<1x10 ⁻¹⁰ Errors/bit day
Latch Up	Not possible

* Other total dose radiation levels available on request

** Worst case galactic cosmic ray upset - interplanetary/high altitude orbit

Figure 44: Radiation Hardness Parameters

ORDERING INFORMATION





<http://www.dynexsemi.com>

e-mail: power_solutions@dynexsemi.com

HEADQUARTERS OPERATIONS

DYNEX SEMICONDUCTOR LTD

Doddington Road, Lincoln.
Lincolnshire. LN6 3LF. United Kingdom.
Tel: 00-44-(0)1522-500500
Fax: 00-44-(0)1522-500550

DYNEX POWER INC.

Unit 7 - 58 Antares Drive,
Nepean, Ontario, Canada K2E 7W6.
Tel: 613.723.7035
Fax: 613.723.1518
Toll Free: 1.888.33.DYNEX (39639)

CUSTOMER SERVICE CENTRES

France, Benelux, Italy and Spain Tel: +33 (0)1 69 18 90 00. Fax: +33 (0)1 64 46 54 50

North America Tel: 011-800-5554-5554. Fax: 011-800-5444-5444

UK, Germany, Scandinavia & Rest Of World Tel: +44 (0)1522 500500. Fax: +44 (0)1522 500020

SALES OFFICES

France, Benelux, Italy and Spain Tel: +33 (0)1 69 18 90 00. Fax: +33 (0)1 64 46 54 50

Germany Tel: 07351 827723

North America Tel: (613) 723-7035. Fax: (613) 723-1518. Toll Free: 1.888.33.DYNEX (39639) /

Tel: (831) 440-1988. Fax: (831) 440-1989 / Tel: (949) 733-3005. Fax: (949) 733-2986.

UK, Germany, Scandinavia & Rest Of World Tel: +44 (0)1522 500500. Fax: +44 (0)1522 500020

These offices are supported by Representatives and Distributors in many countries world-wide.

© Dynex Semiconductor 2000 Publication No. DS3587-5 Issue No. 5.0 January 2000

TECHNICAL DOCUMENTATION – NOT FOR RESALE. PRINTED IN UNITED KINGDOM

Datasheet Annotations:

Dynex Semiconductor annotate datasheets in the top right hand corner of the front page, to indicate product status. The annotations are as follows:-

Target Information: This is the most tentative form of information and represents a very preliminary specification. No actual design work on the product has been started.

Preliminary Information: The product is in design and development. The datasheet represents the product as it is understood but details may change.

Advance Information: The product design is complete and final characterisation for volume production is well in hand.

No Annotation: The product parameters are fixed and the product is available to datasheet specification.

This publication is issued to provide information only which (unless agreed by the Company in writing) may not be used, applied or reproduced for any purpose nor form part of any order or contract nor to be regarded as a representation relating to the products or services concerned. No warranty or guarantee express or implied is made regarding the capability, performance or suitability of any product or service. The Company reserves the right to alter without prior notice the specification, design or price of any product or service. Information concerning possible methods of use is provided as a guide only and does not constitute any guarantee that such methods of use will be satisfactory in a specific piece of equipment. It is the user's responsibility to fully determine the performance and suitability of any equipment using such information and to ensure that any publication or data used is up to date and has not been superseded. These products are not suitable for use in any medical products whose failure to perform may result in significant injury or death to the user. All products and materials are sold and services provided subject to the Company's conditions of sale, which are available on request.

All brand names and product names used in this publication are trademarks, registered trademarks or trade names of their respective owners.