

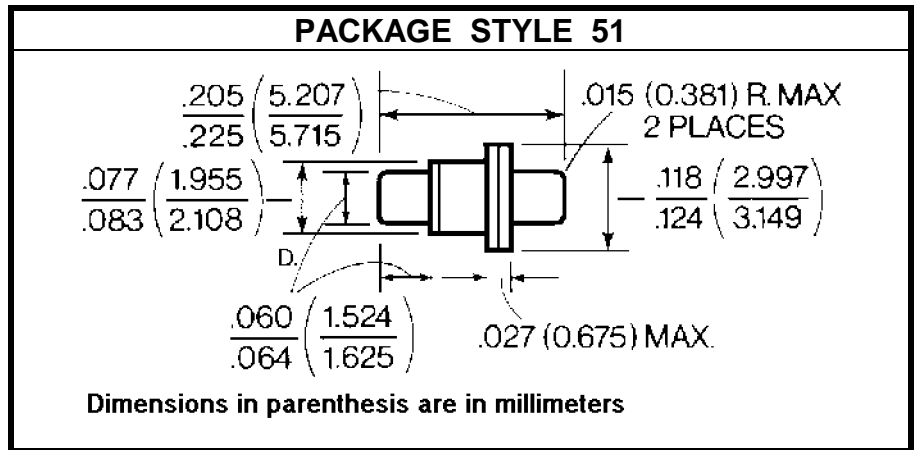
SILICON ABRUPT TUNING VARACTOR DIODE

DESCRIPTION:

The **MA45851** is a Silicon Abrupt Tuning Varactor.

MAXIMUM RATINGS

I	100 mA
V	45 V
P_{DISS}	500 mW @ T _C = 25 °C
T_J	-65 °C to +150 °C
T_{STG}	-65 °C to +175 °C


CHARACTERISTICS T_C = 25 °C

SYMBOL	TEST CONDITIONS	MINIMUM	TYPICAL	MAXIMUM	UNITS	
V _B	I _R = 10 μA	45			V	
I _R	V _R = 36 V			100	μA	
C _{T-4}	V _R = 4.0 V	f = 1.0 MHz	1.08	1.20	1.32	pF
ΔC _T	C _{T0} /C _{T45}	f = 1.0 MHz	4.2			
Q	V _R = 4.0 V	f = 50 MHz	2500			
T _{CC}	V _R = 4.0 V	f = 1.0 MHz		300		PPM/°C