

The MA7001 512 x 9 FIFO is manufactured using Dynex Semiconductor's CMOS-SOS high performance, radiation hard, 3µm technology.

The Dynex Semiconductor Silicon-on-Sapphire process provides significant advantages over bulk silicon substrate technologies. In addition to very good total dose hardness and neutron hardness $>10^{15}n/cm^2$, the Dynex Semiconductor technology provides very high transient gamma and single event upset performance without compromising speed of operation. The Sapphire substrate also eliminates latch-up giving greater flexibility of use in electrically severe environments.

The MA7001 implements a First-In First-Out algorithm that reads and writes data on a first-in first-out basis. The dual-port static RAM memory is organised as 512 words of 9 bits (8 bit

data and 1 bit for parity or control purposes).

Sequential read and write accesses are achieved using a ring pointer architecture that requires no external addressing information. Data is toggled in and out of the device by using the WRITE (\bar{W}) and READ (\bar{R}) pins.

Full and Empty status flags prevent data overflow and underflow. Expansion logic on the device allows for unlimited expansion capability in both word size and depth. A RETRANSMIT (\bar{RT}) feature allows for reset of the read pointer to its initial position to allow retransmission of data.

The device is designed for applications requiring asynchronous and simultaneous read/write in multiprocessing and rate buffering (sourcing and sinking data at different rates eg. interfacing fast processors and slow peripherals).

FEATURES

- Radiation Hard CMOS-SOS Technology
- Fast Access Time 60ns Typical
- Single 5V Supply
- Inputs Fully TTL and CMOS Compatible
- -55°C to +125°C Operation

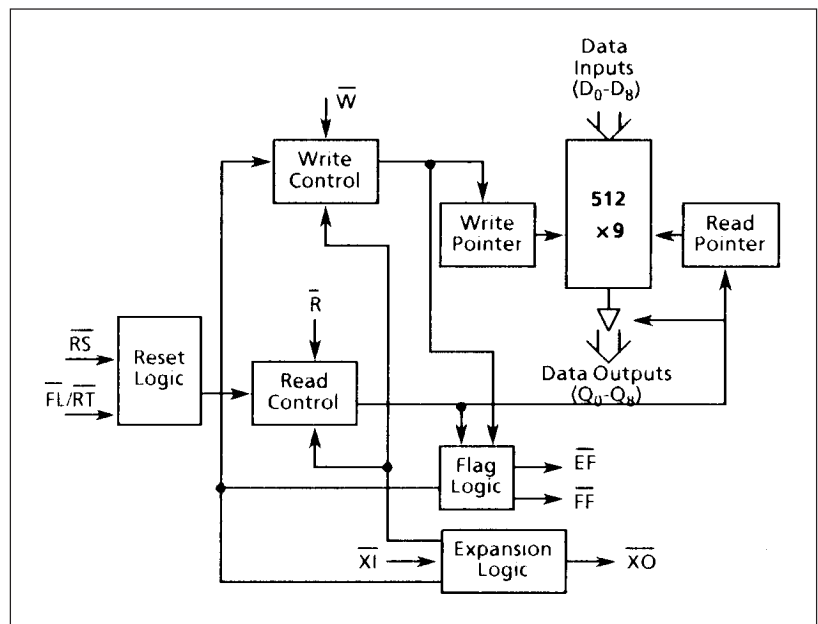


Figure 1: Block Diagram

MA7001

DC CHARACTERISTICS AND RATINGS

Symbol	Parameter	Min.	Max.	Units
V _{DD}	Supply Voltage	-0.5	7.0	V
V _{IN}	Input Voltage	-0.3	V _{DD} +0.3	V
T _A	Operating Temperature	-55	125	°C
T _S	Storage Temperature	-65	150	°C

Stresses above those listed may cause permanent damage to the device. This is a stress rating only and functional operation of the device at these conditions, or at any other condition above those indicated in the operations section of this specification, is not Implied Exposure to absolute maximum rating conditions for extended periods may affect device reliability.

Figure 2: Absolute Maximum Ratings

The following D.C. and A.C. electrical characteristics apply to pre-radiation at T_A = -55°C to +125°C, V_{DD} = 5V ±10% and post 100kRad(Si) total dose radiation at T_A = 25°C, V_{DD} = 5V ±10%. GROUP A SUBGROUP 1, 2, 3.

Symbol	Parameter	Conditions	Min.	Typ.	Max.	Unit
V _{IH}	Input logic '1' voltage	-	2.0	-	-	V
V _{IL}	Input logic '0' voltage	-	-	-	0.8	V
I _{IL}	Input leakage current (any input) (Note 4)	Note 1	-10	-	10	μA
I _{OL}	Output leakage current (Note 4)	Note 2	-50	-	50	μA
V _{OH}	Output logic '1' voltage	I _{OUT} = -1mA	2.4	-	-	V
V _{OL}	Output logic '0' voltage	I _{OUT} = 2mA	-	-	0.4	V
I _{DD1}	Average V _{DD} power supply current (Note 3)	Freq = 10MHz	-	70	100	mA
I _{DD2}	Average standby current (Note 3)	$\bar{R} = \bar{W} = \bar{RS} = \overline{FL/RT} = V_{DD}/2$	-	8	15	mA
I _{DD3(L)}	Powerdown current (Note 3)	All Inputs = V _{DD} -0.2V	-	-	3.0	mA

NOTES:

1. Measurements with V_{SS} ≤ V_{IN} ≤ V_{DD}
2. $\bar{R} > V_{IH}$, V_{SS} ≤ V_{OUT} ≤ V_{DD}
3. I_{DD} measurements are made with outputs open, V_{DD} = 5.5V
4. Guaranteed but not measured at -55°C

Figure 3a: DC Electrical Characteristics

AC CHARACTERISTICS

Characteristics apply to pre-radiation at $T_A = -55^{\circ}\text{C}$ to $+125^{\circ}\text{C}$, $V_{DD} = 5\text{V} \pm 10\%$ and post 100kRad(Si) total dose radiation at $T_A = 25^{\circ}\text{C}$, $V_{DD} = 5\text{V} \pm 10\%$. GROUP A SUBGROUP 9, 10, 11.

Symbol	Parameter	Min.	Max.	Units
t_{RC}	Read Cycle Time	110	-	ns
t_A	Access Time	-	100	ns
t_{RR}	Read Recovery Time	25	-	ns
t_{RPW}	Read Pulse Width (Note 2)	85	-	ns
t_{RLZ}	Read Pulse Low to Data Bus at Low Z (Note 3)	10	-	ns
t_{DV}	Data Valid from Read Pulse High	20	-	ns
t_{RHZ}	Read Pulse High to Data Bus at High Z (Note 3)	-	30	ns
t_{WC}	Write Cycle Time	100	-	ns
t_{WPW}	Write Pulse Width (Note 2)	80	-	ns
t_{WR}	Write Recovery Time	20	-	ns
t_{DS}	Data Setup Time	40	-	ns
t_{DH}	Data Hold Time	10	-	ns
t_{RSC}	Reset Cycle Time (Note 3)	100	-	ns
t_{RS}	Reset Pulse Width (Note 2)	80	-	ns
t_{RSR}	Reset Recovery Time (Note 3)	20	-	ns
t_{RTC}	Retransmit Cycle Time (Note 3)	100	-	ns
t_{RT}	Retransmit Pulse Width (Note 2)	80	-	ns
t_{RTR}	Retransmit Recovery Time (Note 3)	20	-	ns
t_{EFL}	Reset to Empty Flag Low	-	100	ns
t_{REF}	Read Low to Empty Flag Low	-	90	ns
t_{RFF}	Read High to Full Flag High	-	70	ns
t_{WEF}	Write High to Empty Flag High	-	70	ns
t_{WFF}	Write Low to Full Flag Low	-	90	ns
t_{EFR}	EF High to Valid Read (Note 3)	10	-	ns
t_{RPI}	Read Protect Indeterminant (Note 3)	-	35	ns
t_{FFW}	FF High to Valid Write (Note 3)	10	-	ns
t_{WPI}	Write Protect Indeterminant (Note 3)	-	35	ns

Notes:

1. Timings referenced as in A.C. Test Conditions, figure 5
2. Pulse widths less than minimum values are not allowed
3. Values guaranteed by design, not currently tested

Figure 3b: AC Characteristics

MA7001

Symbol	Parameter	Conditions
FT	Functionality	$V_{DD} = 3-6V$, FREQ = 100kHz - 9MHz $V_{IL} = V_{SS}$, $V_{IH} = V_{DD}$, $V_{OL} \leq 1.5V$, $V_{OH} \geq 1.5V$ TEMP = -55 to +125°C, RADIATION 1MRAD TOTAL DOSE GROUP A SUBGROUPS 7, 8A, 8B

Figure 3b: Functionality

Subgroup	Definition
1	Static characteristics specified in Table 3a at +25°C
2	Static characteristics specified in Table 3a at +125°C
3	Static characteristics specified in Table 3a at -55°C
7	Functional characteristics specified in Table 3c at +25°C
8A	Functional characteristics specified in Table 3c at +125°C
8B	Functional characteristics specified in Table 3c at -55°C
9	Switching characteristics specified in Table 3b at +25°C
10	Switching characteristics specified in Table 3b at +125°C
11	Switching characteristics specified in Table 3b at -55°C

Figure 4: Definition of Subgroups

Input Pulse Levels	GND to 3.0V
Input Rise and Fall Times	5ns
Input Timing Reference Levels	1.5V
Output Reference Levels	1.5V
Output Load	See Figure 7

Figure 5: AC Test Conditions

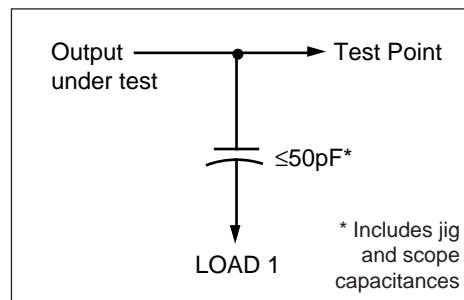


Figure 7: Output Load

Symbol	Parameter	Conditions	Max.	Unit
C_{IN}	Input Capacitance (Note 1)	$V_{IN} = 0V$	7	pF
C_{OUT}	Output Capacitance (Notes 1 and 2)	$V_{OUT} = 0V$	12	pF

NOTES:

1. Characterized values, not currently tested.
2. With output deselected.

Figure 6: Capacitance

TRUTH TABLES

Operation	Input					Output			Pointer	
	\bar{R}	\bar{W}	\bar{RS}	\bar{RT}	\bar{XI}	\bar{EF}	\bar{FF}	Data	Read	Write
Reset	1	1	0	x	0	0	1	Z	Zero	Zero
Retransmit*	1	1	1	0	0	1	1	Z	Zero	N/C
Read	1→0	x	1	1	0	1	1	valid	Increment	N/C
Read	x	x	1	1	0	0	1	Z	N/C	N/C
Write	x	1→0	1	1	0	x	1	x	N/C	Increment
Write	x	x	1	1	0	1	0	x	N/C	N/C

* Only available if less than 512 writes since last reset.

Figure 8: Single Device or Width Expansion: Read, Write, Reset and Retransmit

Operation	Input					Output			Pointer	
	\bar{R}	\bar{W}	\bar{RS}	\bar{FL}	\bar{XI}	\bar{EF}	\bar{FF}	Data	Read	Write
Reset First	1	1	0	0	1	0	1	Z	Zero	Zero
Reset Rest	1	1	0	1	1	0	1	Z	Zero	Zero

NOTES:

1. See Modes of Operation for connections of \bar{XI} and \bar{XO} in depth expansion mode.
2. \bar{XI} is connected to \bar{XO} of previous device (Figure 12).

Figure 9: Depth Expansion: Reset and First Load

MA7001

SIGNAL DESCRIPTIONS

Reset (RS)

Reset occurs when \overline{RS} is in a low state, setting both read and write pointers to the first location in memory. Reset is required prior to the first write. Both READ (R) and WRITE (W) signals must be in high states during reset.

Read Enable (\overline{R}):

Providing the EMPTY FLAG (\overline{EF}) is not set, i.e. there is still data to be read, a read cycle commences on the falling edge of R, (see Figure 16). Data is read in a First-In First-Out manner independent of write operations. When reads are disabled data outputs (Q0 - Q8) are in a high impedance state. Reading the last available memory location sets the EMPTY FLAG (\overline{EF}), which is cleared following a write cycle.

Write Enable (\overline{W}):

Providing the FULL FLAG (\overline{FF}) is not set, i.e. there exists at least one memory location for writing, a write cycle commences on the falling edge of (\overline{W}), (see Figure 17). Data is written into consecutive memory locations independent of read operations on the rising edge of W. Data set up and hold times are with respect to the rising edge of \overline{W} .

Expansion In (\overline{XI}):

There are two possible modes of operation for the FIFO. One with \overline{XI} grounded in which the device is in single device mode, the other is a depth expansion mode or daisy chain configuration. In the latter mode \overline{XI} inputs come from EXPANSION OUT (\overline{XO}) outputs of the device preceding it in the chain.

Expansion Out (\overline{XO}):

In depth expansion mode \overline{XO} from one device signals the next device in the chain that the last location in its memory has been accessed.

Full Flag (\overline{FF}):

\overline{FF} becomes active when the last available memory location has been written to, (see Figure 18). In general, this occurs whenever the write pointer coincides with the read pointer following a write cycle. Writes are inhibited while \overline{FF} is active, and may only proceed after a read cycle has occurred.

\overline{FF} will go high t_{RFF} after completion of a valid READ operation. \overline{FF} will go low t_{WFF} from the beginning of a subsequent WRITE operation, provided that a second READ has not been completed. Writes beginning t_{FFW} after \overline{FF} goes high, are valid. Writes beginning after \overline{FF} goes low and ending more than t_{WPI} before \overline{FF} goes high, are invalid (ignored). Writes beginning less than t_{WPI} before \overline{FF} goes high and less than t_{FFW} later, may or may not occur (be valid) depending on the internal flag status (see Figure 19).

If a Write to the last but one physical location completes while the last location (511th) is being Read, the \overline{FF} will not be activated. The next Read should start after the last Write has completed.

As a WRITE operation is being performed to the last physical memory location (511th) whilst the READ pointer is waiting at the 510th physical location the FULL flag is activated for a duration less than 20ns.

Note: The last physical location (511th) is accessed after 511 WRITE or READ operations after RESET.

Empty Flag (\overline{EF}):

Following an initial RESET \overline{EF} is active, becoming inactive after the first write cycle, (see Figure 20). \overline{EF} becomes active once the read and write pointers are coincident following a read cycle. Reading will not take place whilst \overline{EF} is active, and may only proceed once a write cycle has occurred.

\overline{EF} will go high t_{WEF} after completion of a valid WRITE operation. \overline{EF} will again go low t_{REF} from the beginning of a subsequent READ operation, provided that a second WRITE has not been completed. Reads beginning t_{EFR} after \overline{EF} goes high, are valid. Reads begun after \overline{EF} goes low and ending more than t_{RPI} before \overline{EF} goes high, are invalid (ignored). Reads beginning less than t_{RIP} before \overline{EF} goes high and less than t_{EFR} later, may or may not occur (be valid) depending on the internal flag status (See Figure 21). If a Read to the last but one physical location completes while the last location (511th) is being written, the \overline{EF} will not be activated. The next Read should be activated after the last Write has completed.

First Load/Retransmit ($\overline{FL/RT}$):

This is a dual purpose input depending on the mode of operation of the device. In single device mode $\overline{XI} = 0$ data may be retransmitted, i.e. it may be re-read. In depth expansion mode \overline{FL} signifies the first device in the chain. When \overline{RT} is pulsed low the read pointer is set to the first memory location. The write pointer is unaffected. This feature is disabled in depth expansion mode, and can only be applied when \overline{R} and \overline{W} are inactive (See Figure 22).

Data Inputs (D0 - D8): Data inputs, 9 bit word, for write operations.

Data Outputs (Q0 - Q8):

Data outputs, 9 bit word, for read operations. When \overline{R} is inactive these outputs are in a high impedance state.

MODES OF OPERATION

Single Device Mode:

The single device mode is used with \overline{XI} grounded. (See Figure 10). In this mode the retransmit facility may be used to re-read the data when less than 512 have been performed between resets.

Width Expansion Mode:

In this mode two or more devices are used, depending on the word length required, with the same control inputs applied to each. The same operations are applied to all devices, thus warning flags \overline{EF} and \overline{FF} are available from any or all of the devices. Output Signals from devices in this mode should not be merged. Figure 11 illustrates two devices configured in width expansion mode to give an 18 bitword, (512 x 18).

Depth Expansion Mode:

This has applications where more than 512 words are required. The RETRANSMIT facility is not available in this mode.

Two or more devices are organised in a daisy chain. The first device in the chain has \overline{FL} grounded, all others have \overline{FL} in high states. \overline{XO} of each device is connected to \overline{XI} of the next device in the chain.

The same read, write and reset signals are applied to each device. External logic is required to form new empty and full flags, i.e. all \overline{EF} 's are ORed together and all \overline{FF} 's are ORed together to form new empty and full flags respectively.

Figure 12 illustrates depth expansion of 2 devices (1024 x 9).

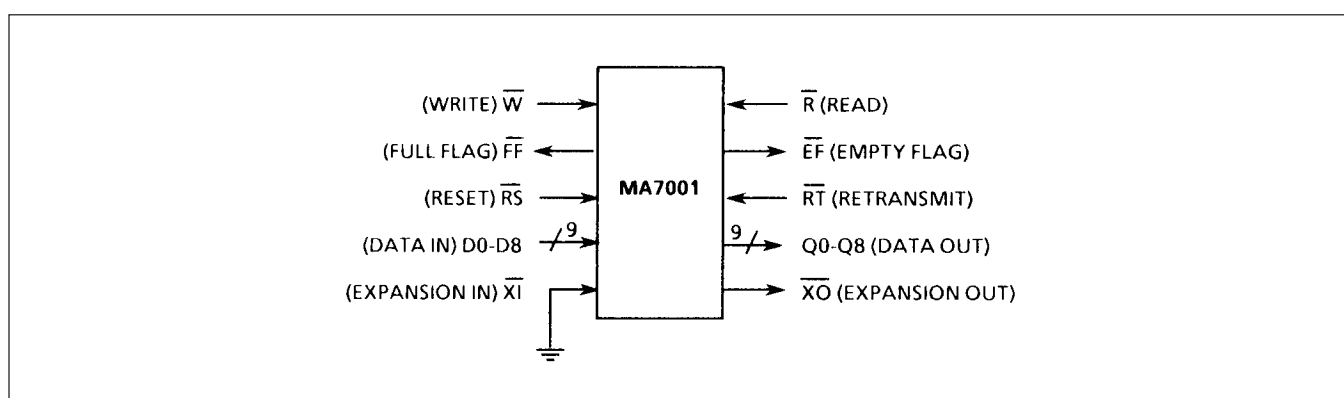


Figure 10: Single Device Mode (512 x 9 bits)

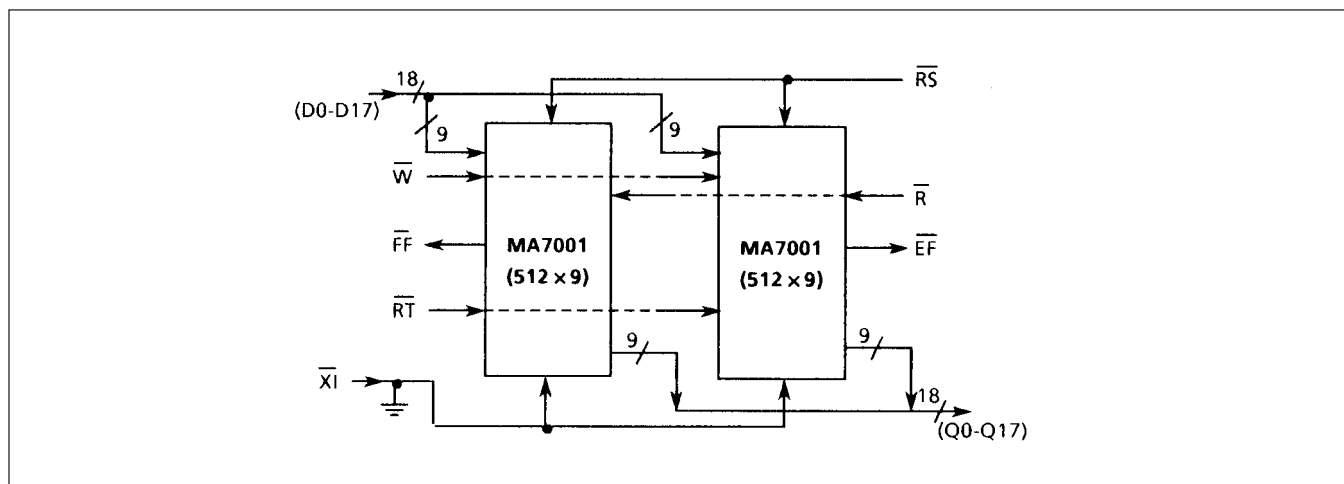


Figure 11: Width Expansion Mode (512 x 18 bits)

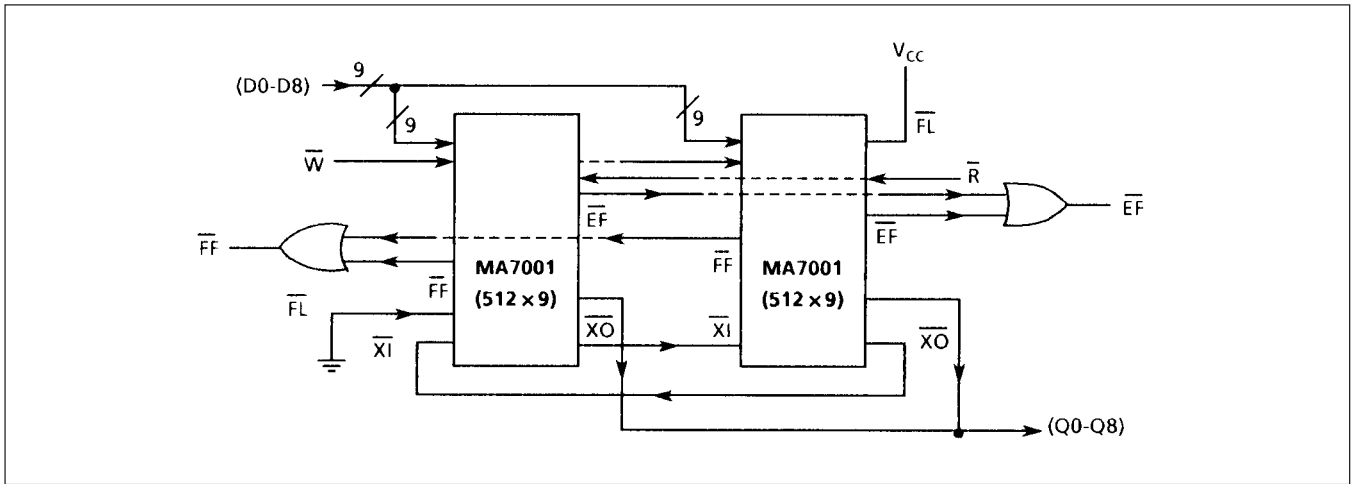


Figure 12: Depth Expansion Mode (1024 x 9 bits)

Compound Expansion Mode:

Both width and depth expansion can be implemented into the same expansion block. Note that no control signals are in conflict in either of the two expansion modes, i.e. width or depth expansion modes. Utilising compound expansion large FIFO arrays are possible. Figure 13 illustrates the use of compound expansion.

Bidirectional Mode:

The FIFO is a unidirectional device, i.e. one system reads, another writes. In cases where full communication is required between two or more systems, two or more groups of devices can be used. These groups can utilise any or all of the expansion modes already mentioned. Figure 14 illustrates 2 systems connected so that each can transmit data to and receive data from each other, (see Modes of Operation for connection of control and data signals).

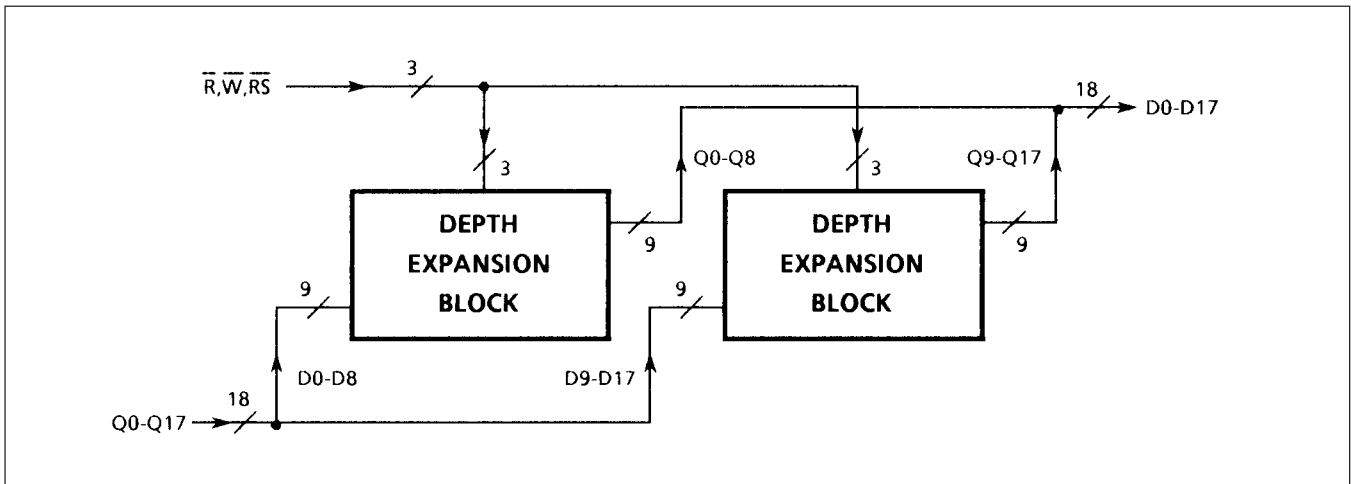


Figure 13: Compound Expansion

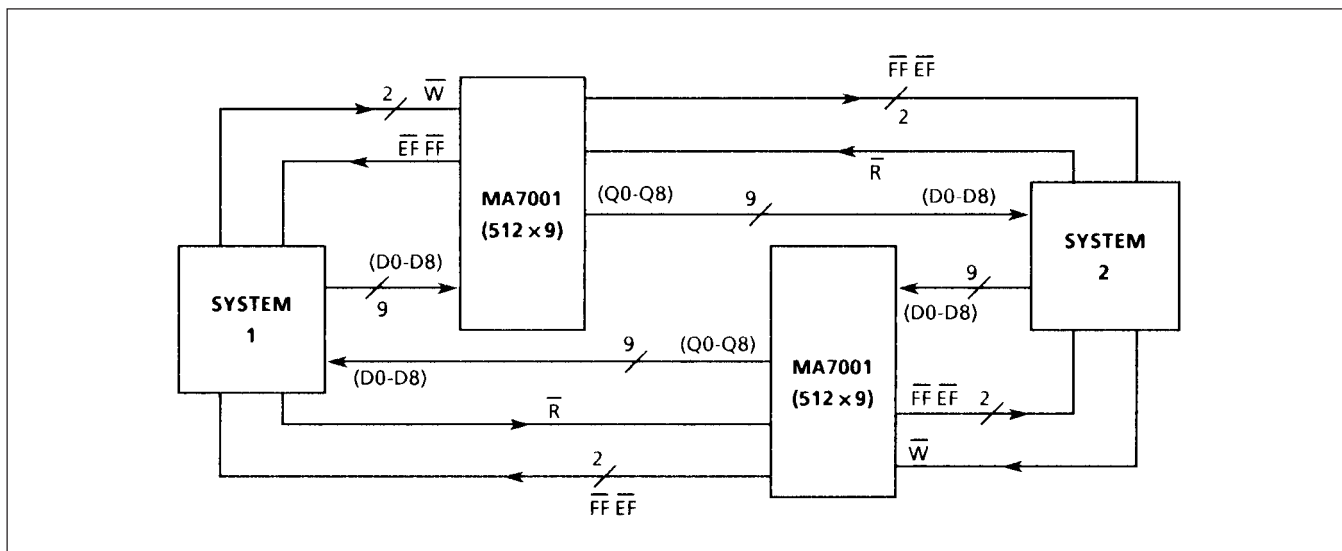


Figure 14: Bidirectional Mode (512 x 9 bits each way)

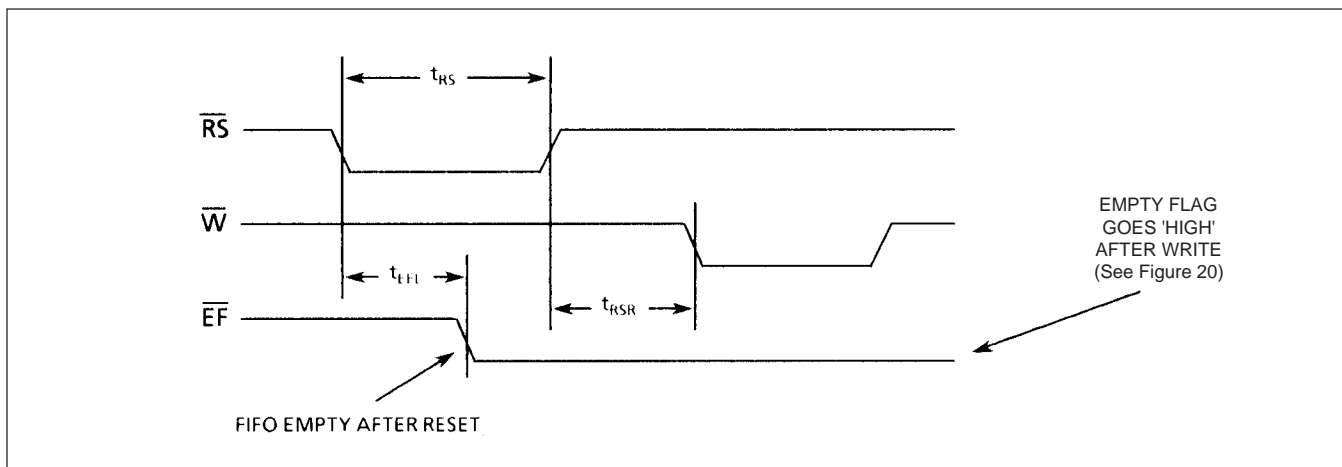


Figure 15: Reset

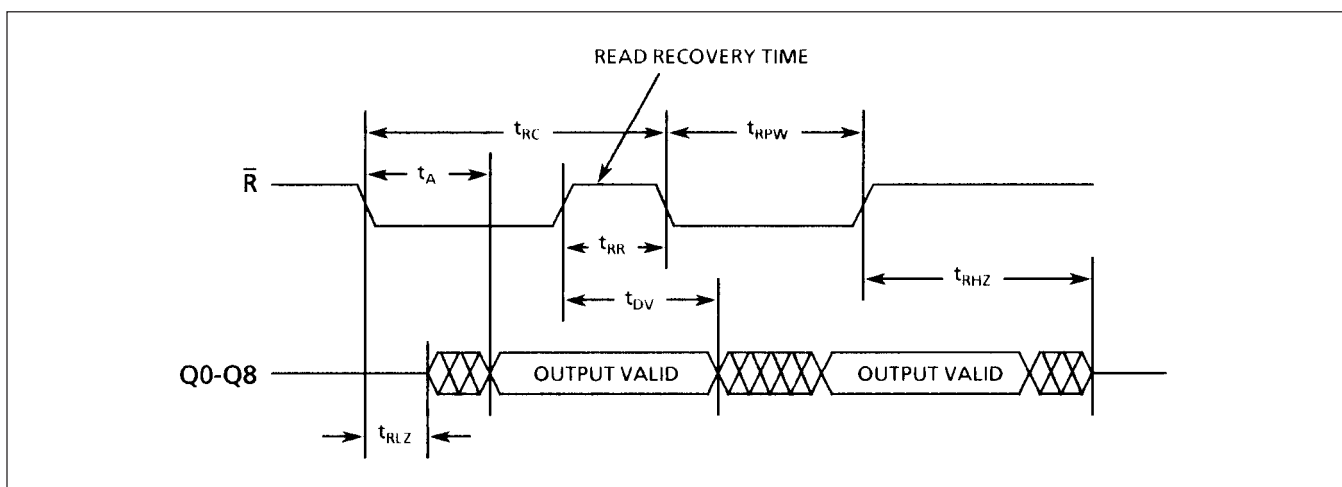


Figure 16: Asynchronous Read

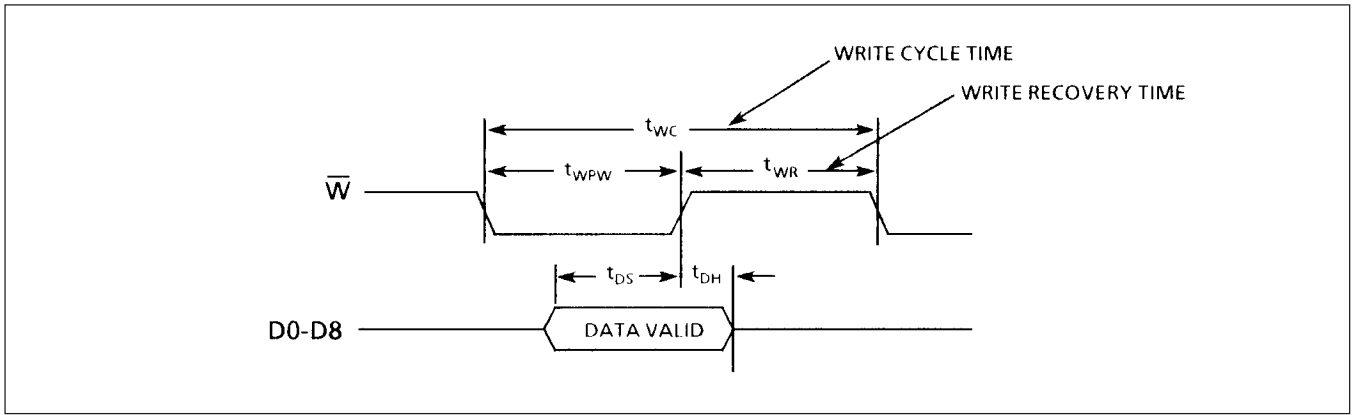


Figure 17: Asynchronous Write

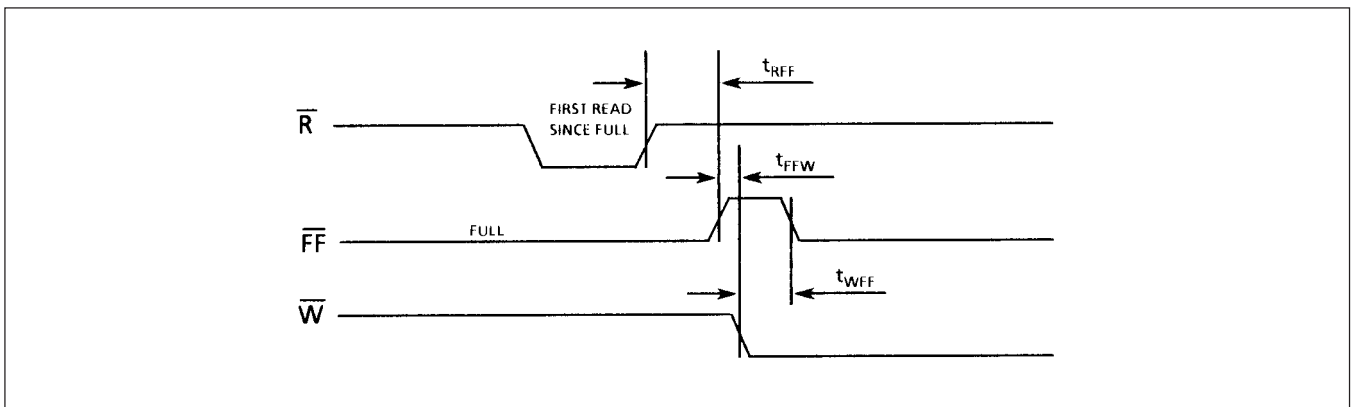


Figure 18: Read/Write to Full Flag

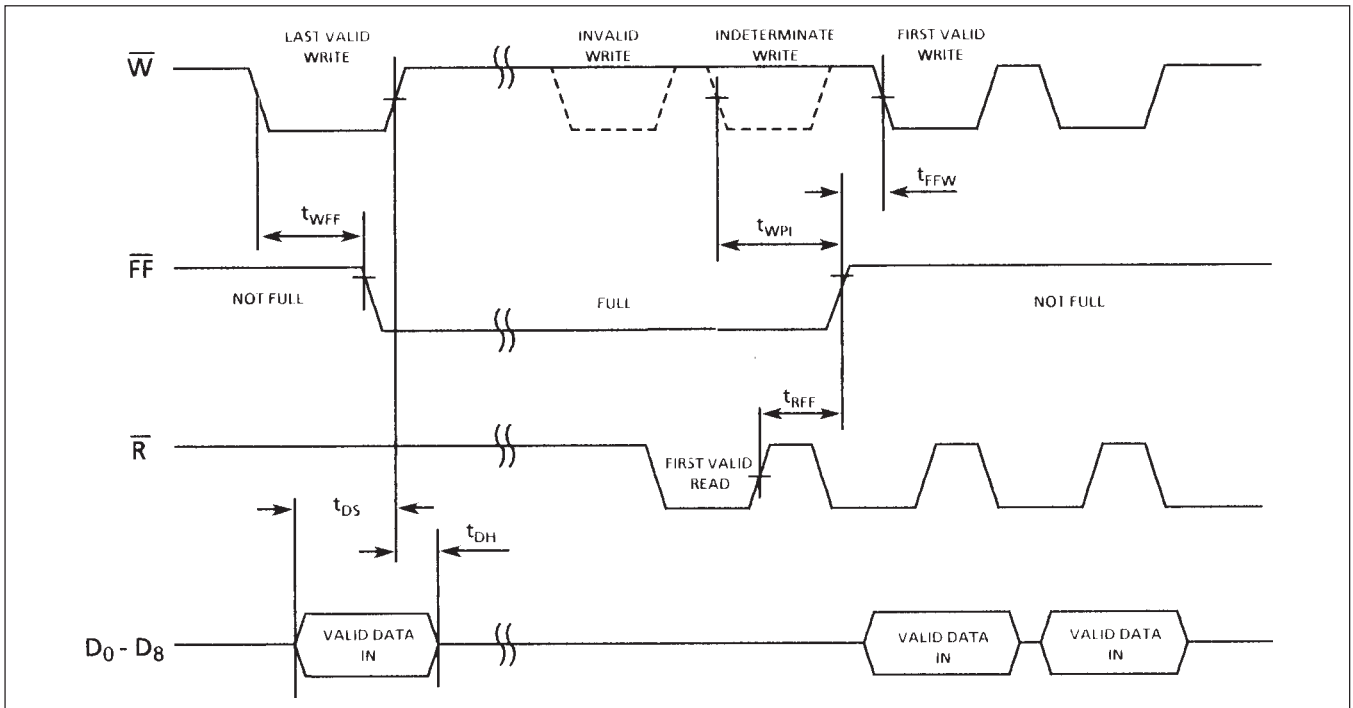


Figure 19: Write and Full Flag

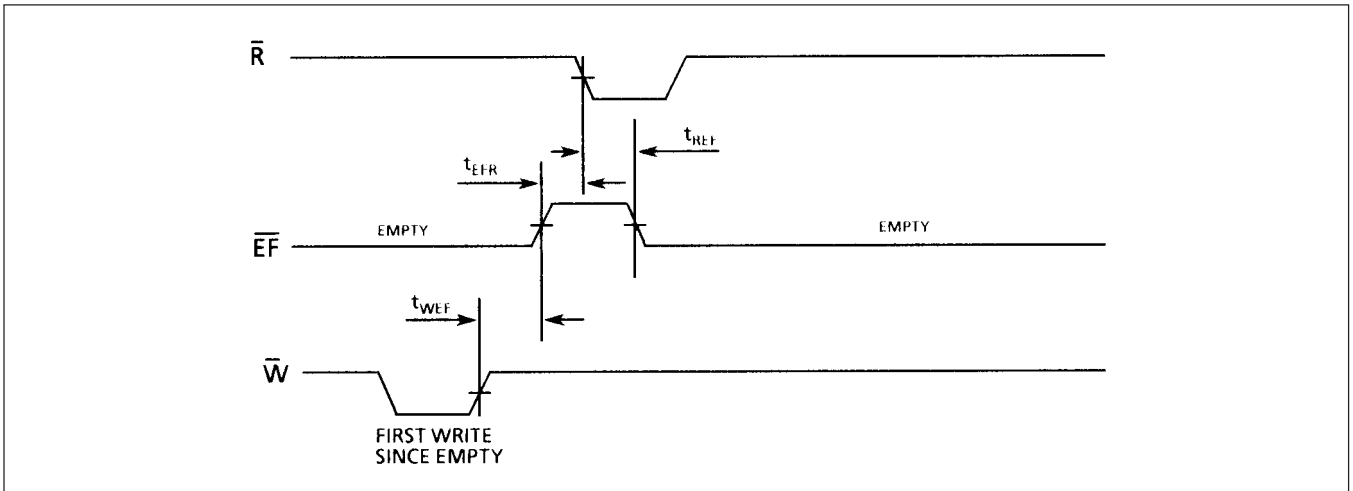


Figure 20: Write/Read to Empty Flag

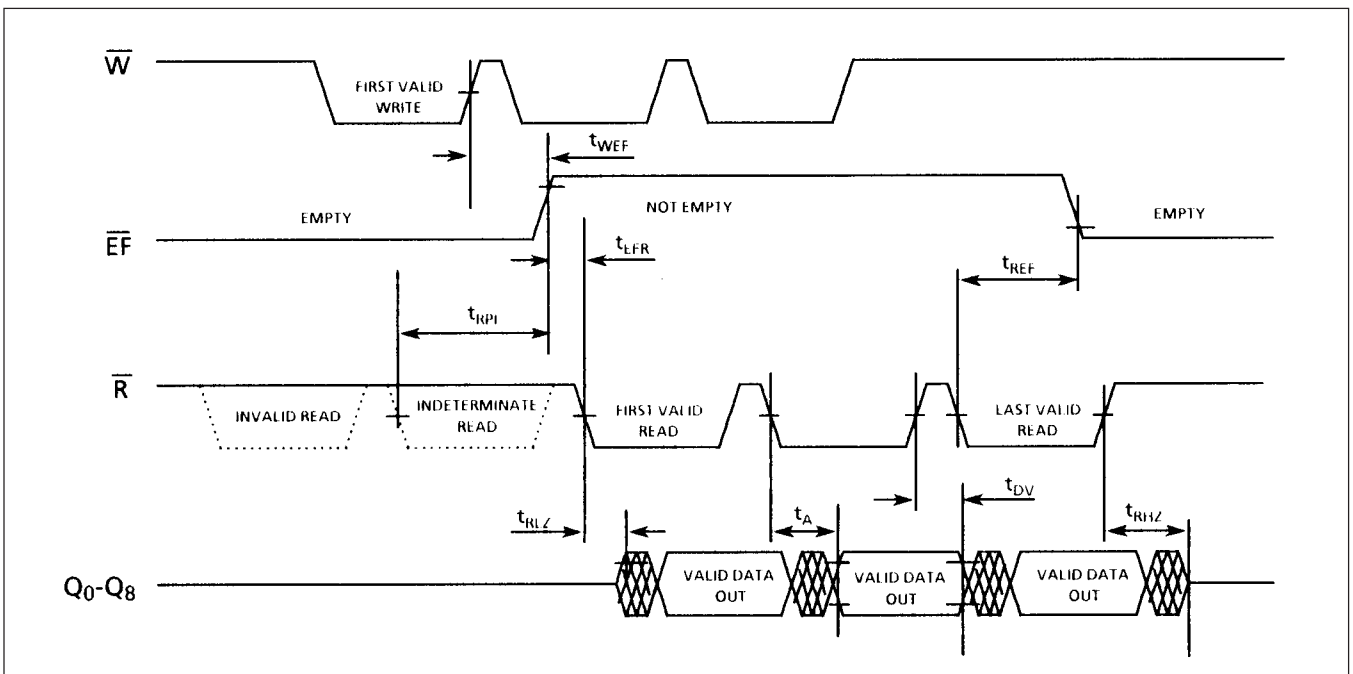


Figure 21: Read and Empty Flag

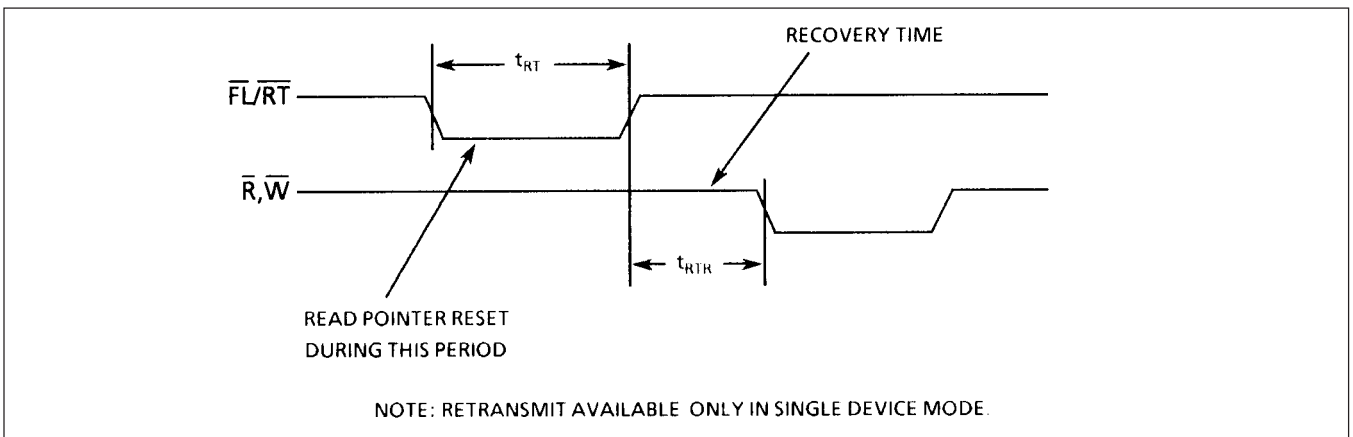
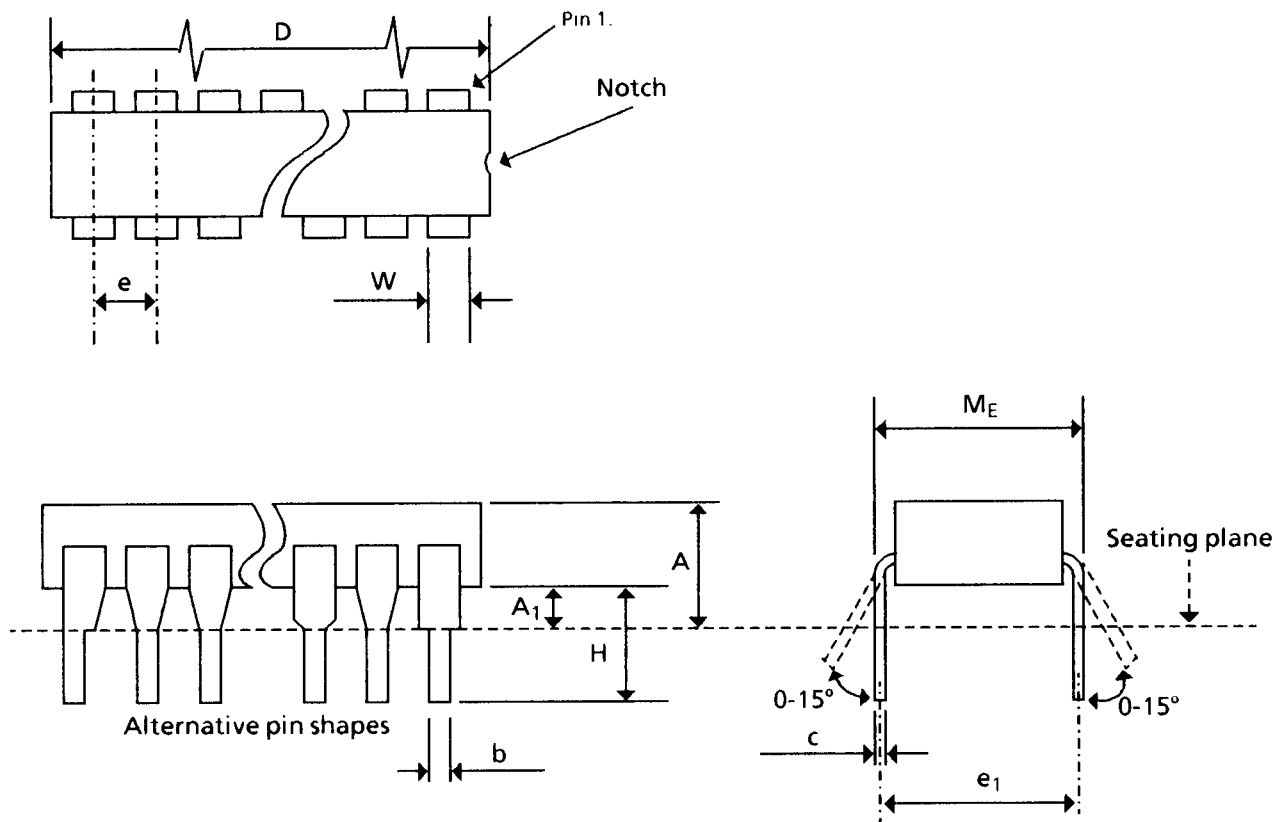


Figure 22: Retransmit Timing

OUTLINES AND PIN ASSIGNMENTS



Ref.	Min.	Nom.	Max.
A	-	-	5.71 (0.225)
A ₁	0.38 (0.015)	-	1.53 (0.060)
b	0.35 (0.014)	-	0.59 (0.023)
c	0.20 (0.008)	-	0.36 (0.014)
D	-	-	36.02 (1.418)
e	-	2.54 (0.100) typ.	-
e ₁	-	15.24 (0.600) typ.	-
H	4.71 (0.185)	-	5.38 (0.212)
M _E	-	-	15.90 (0.626)
W	-	-	1.53 (0.060)

Dimensions in mm (inches)

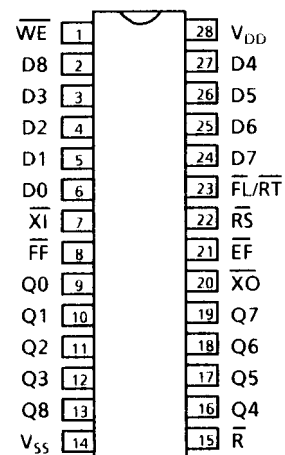
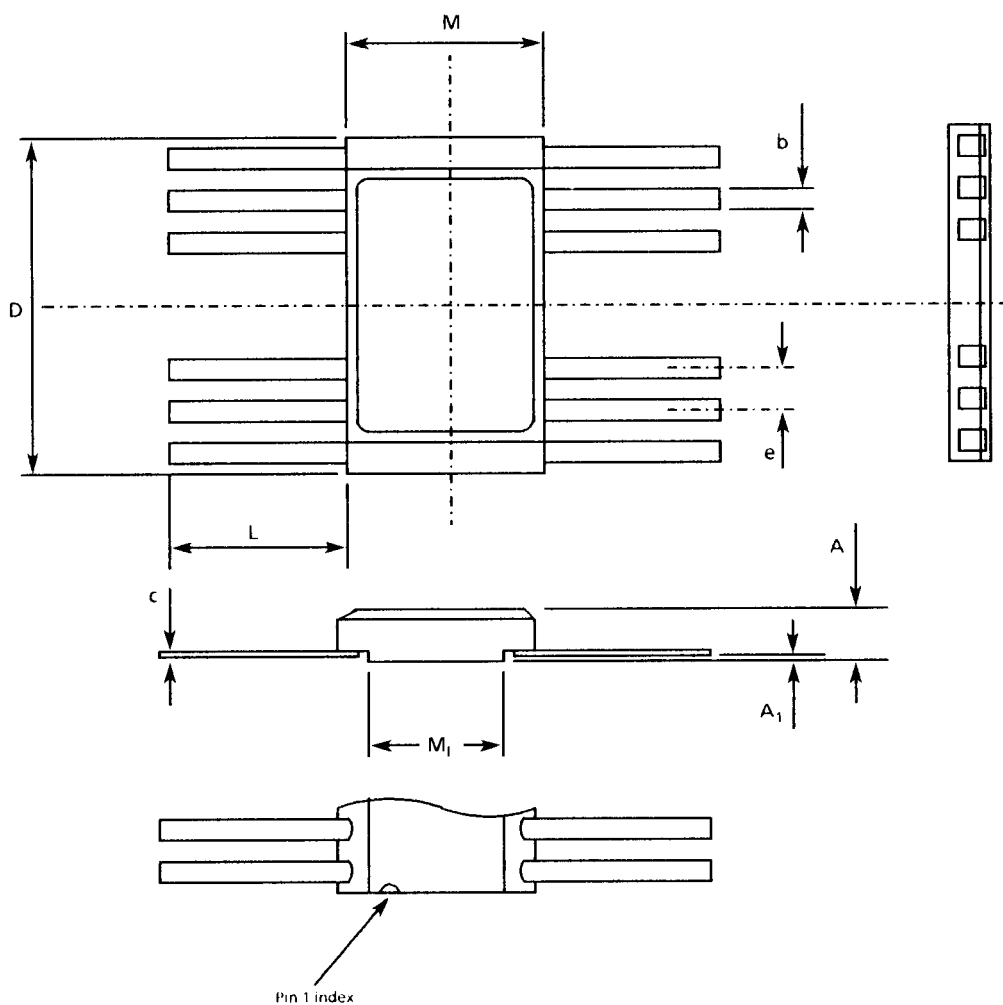


Figure 23: 28 Lead Ceramic DIL (Solder Seal) - Package Style C



Ref.	Min.	Nom.	Max.
A	-	-	2.97 (0.117)
A ₁	(0.026)	-	-
b	(0.015)	-	0.48 (0.019)
c	0.10 (0.003)	-	0.15 (0.006)
D	18.08 (0.712)	-	18.49 (0.728)
e	-	1.27 (0.050) typ.	-
L	(0.315)	-	(0.365)
M	12.50 (0.492)	-	12.09 (0.508)
M1	(0.372)	-	(0.388)

Dimensions in mm (inches)

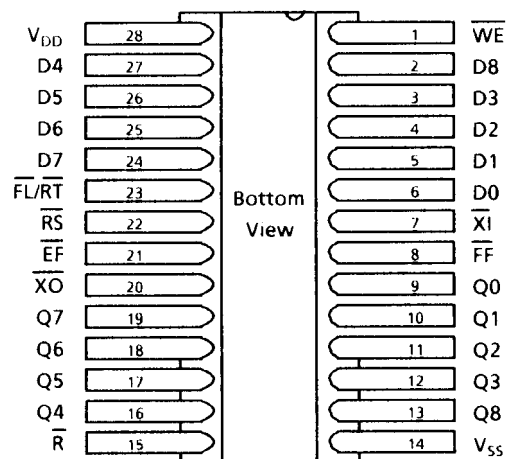


Figure 24: 28 Lead Ceramic Flatpack (Solder Seal) - Package Style F

MA7001

RADIATION TOLERANCE

Total Dose Radiation Testing

For product procured to guaranteed total dose radiation levels, each wafer lot will be approved when all sample devices from each lot pass the total dose radiation test.

The sample devices will be subjected to the total dose radiation level (Cobalt-60 Source), defined by the ordering code, and must continue to meet the electrical parameters specified in the data sheet. Electrical tests, pre and post irradiation, will be read and recorded.

GEC Plessey Semiconductors can provide radiation testing compliant with MIL-STD-883 test method 1019, Ionizing Radiation (Total Dose).

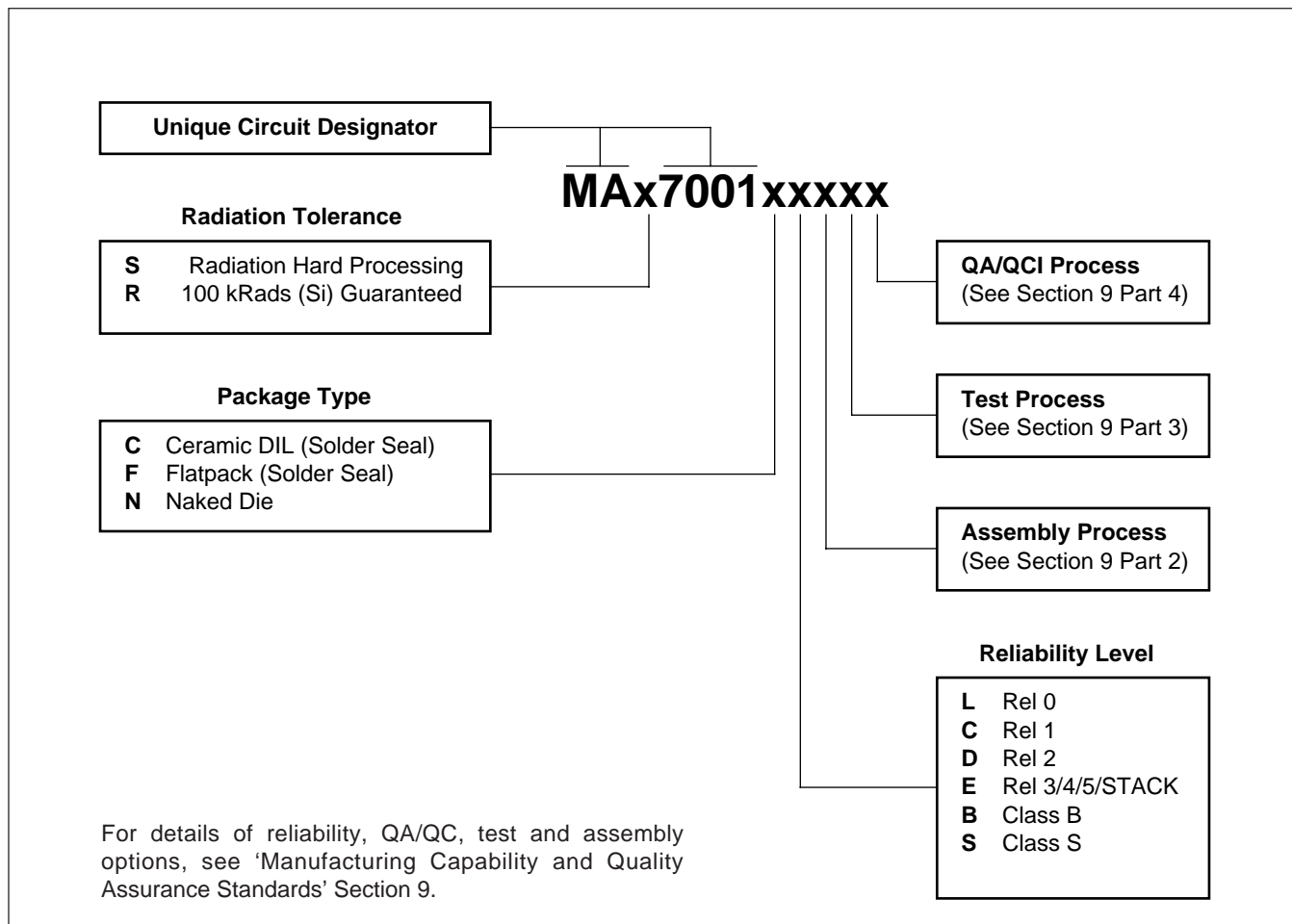
Total Dose (Function to specification)*	1×10^5 Rad(Si)
Transient Upset (Stored data loss)	5×10^{10} Rad(Si)/sec
Transient Upset (Survivability)	$>1 \times 10^{12}$ Rad(Si)/sec
Neutron Hardness (Function to specification)	$>1 \times 10^{15}$ n/cm ²
Single Event Upset**	3.4×10^{-9} Errors/bit day
Latch Up	Not possible

* Other total dose radiation levels available on request

** Worst case galactic cosmic ray upset - interplanetary/high altitude orbit

Figure 25: Radiation Hardness Parameters

ORDERING INFORMATION



<http://www.dynexsemi.com>

e-mail: power_solutions@dynexsemi.com

HEADQUARTERS OPERATIONS
DYNEX SEMICONDUCTOR LTD
Doddington Road, Lincoln.
Lincolnshire. LN6 3LF. United Kingdom.
Tel: 00-44-(0)1522-500500
Fax: 00-44-(0)1522-500550

DYNEX POWER INC.
Unit 7 - 58 Antares Drive,
Nepean, Ontario, Canada K2E 7W6.
Tel: 613.723.7035
Fax: 613.723.1518
Toll Free: 1.888.33.DYNEX (39639)

CUSTOMER SERVICE CENTRES
France, Benelux, Italy and Spain Tel: +33 (0)1 69 18 90 00. Fax: +33 (0)1 64 46 54 50
North America Tel: 011-800-5554-5554. Fax: 011-800-5444-5444
UK, Germany, Scandinavia & Rest Of World Tel: +44 (0)1522 500500. Fax: +44 (0)1522 500020

SALES OFFICES
France, Benelux, Italy and Spain Tel: +33 (0)1 69 18 90 00. Fax: +33 (0)1 64 46 54 50
Germany Tel: 07351 827723
North America Tel: (613) 723-7035. Fax: (613) 723-1518. Toll Free: 1.888.33.DYNEX (39639) /
Tel: (831) 440-1988. Fax: (831) 440-1989 / Tel: (949) 733-3005. Fax: (949) 733-2986.
UK, Germany, Scandinavia & Rest Of World Tel: +44 (0)1522 500500. Fax: +44 (0)1522 500020
These offices are supported by Representatives and Distributors in many countries world-wide.
© Dynex Semiconductor 2000 Publication No. DS3518-5 Issue No. 5.0 January 2000
TECHNICAL DOCUMENTATION – NOT FOR RESALE. PRINTED IN UNITED KINGDOM

Datasheet Annotations:

Dynex Semiconductor annotate datasheets in the top right hand corner of the front page, to indicate product status. The annotations are as follows:-

Target Information: This is the most tentative form of information and represents a very preliminary specification. No actual design work on the product has been started.

Preliminary Information: The product is in design and development. The datasheet represents the product as it is understood but details may change.

Advance Information: The product design is complete and final characterisation for volume production is well in hand.

No Annotation: The product parameters are fixed and the product is available to datasheet specification.

This publication is issued to provide information only which (unless agreed by the Company in writing) may not be used, applied or reproduced for any purpose nor form part of any order or contract nor to be regarded as a representation relating to the products or services concerned. No warranty or guarantee express or implied is made regarding the capability, performance or suitability of any product or service. The Company reserves the right to alter without prior notice the specification, design or price of any product or service. Information concerning possible methods of use is provided as a guide only and does not constitute any guarantee that such methods of use will be satisfactory in a specific piece of equipment. It is the user's responsibility to fully determine the performance and suitability of any equipment using such information and to ensure that any publication or data used is up to date and has not been superseded. These products are not suitable for use in any medical products whose failure to perform may result in significant injury or death to the user. All products and materials are sold and services provided subject to the Company's conditions of sale, which are available on request.

All brand names and product names used in this publication are trademarks, registered trademarks or trade names of their respective owners.