

Broadband CATV 3-Way Active Splitter with default loop-through Switch 50 - 1100 MHz

Rev. V3

Features

- Always ON loop-thru path
- 3-Way Splitter
- 3.0 dB Gain
- +15 dBmV /Channel Input
- 3.8 dB Noise Figure
- Lead-Free 3 mm 12-Lead PQFN Package
- RoHS* Compliant and 260°C Reflow Compatible

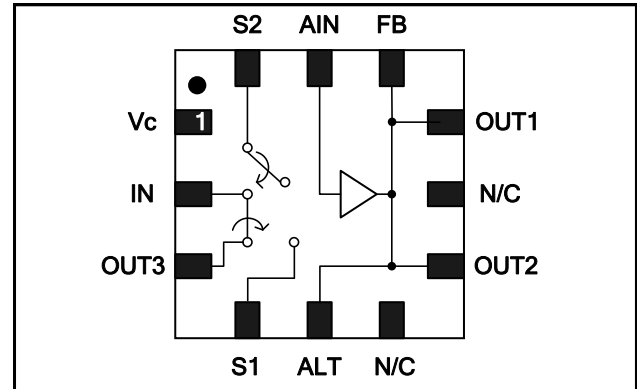
Description

The MAAM-009450 CATV 3-way active splitter with the default loop-through path is a GaAs MMIC which exhibits low noise figure and distortion in a lead-free 3mm 12-lead PQFN plastic package. The design features 75 Ω inputs and outputs.

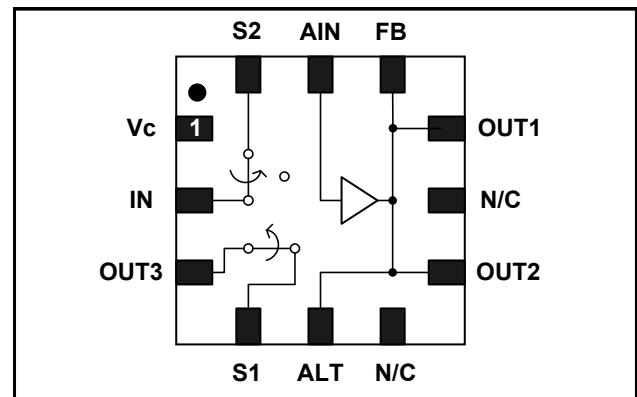
The MAAM-009450 is ideally suited for multi-tuner set top boxes, home gateways, and other broadband internet based applications.

The MAAM-009450 is fabricated using MACOM's E/D pHEMT process to realize default loop-through operation, low noise and low distortion. The process features full passivation for robust performance and reliability.

Functional Schematic, Default On, Power Off



Functional Schematic, Power On



Pin Configuration³

Pin No.	Pin Name	Description
1	V _c	Voltage Control
2	IN	RF Input
3	OUT3	Loop thru Output
4	S1	Switch In
5	ALT	Alternate Output
6	N/C	No Connection
7	OUT2	RF Output 2
8	N/C	No Connection
9	OUT1	RF Output 1
10	FB/V _{DD}	Amplifier Feedback / Drain Voltage
11	AIN	Amplifier Input
12	S2	Switch Output
13	Paddle	RF and DC Ground

3. The exposed pad centered on the package bottom must be connected to RF and DC ground.

Ordering Information^{1,2}

Part Number	Package
MAAM-009450-TR1000	1000 piece reel
MAAM-009450-TR3000	3000 piece reel
MAAM-009450-001SMB	Sample Test Board

1. Reference Application Note M513 for reel size information.
2. All sample boards include 5 loose parts.

* Restrictions on Hazardous Substances, European Union Directive 2002/95/EC.

Broadband CATV 3-Way Active Splitter with default loop-through Switch 50 - 1100 MHz

Rev. V3

Electrical Specifications: Freq. = 1000 MHz, T_A = 25°C, Z₀ = 75 Ω⁴

Parameter	Test Conditions	V _{DD}	V _C	Units	Min.	Typ.	Max.
Gain	IN to Out1, Out2 or Out3	5	3.3	dB	2.0	3.0	5.5
Insertion Loss	IN to Out3	0	0	dB	-	0.75	1.0
Noise Figure	IN to Out1, Out2 or Out3	5	3.3	dB	-	3.8	-
Gain Flatness	IN to Out1, Out2 or Out3	5	3.3	dB	-	1.0	-
Input Return Loss	Input	5	3.3	dB	-	12.5	-
Input Return Loss	Input	0	0	dB	-	12.5	-
Output Return Loss	Output	5	3.3	dB	-	10	-
Output Return Loss	Output	0	0	dB	-	10	-
Out to Out Isolation	Out1 to Out2 or Out3	5	3.3	dB	-	23	-
Out to Out Isolation	Out1 to Out2 or Out3	0	0	dB	-	35	-
CTB	132 Ch, +15 dBmV/Channel at the Input	5	3.3	dBc	-	-65	-
CSO	132 Ch, +15 dBmV/Channel at the Input	5	3.3	dBc	-	-65	-
Reverse Isolation	Out1 to In, Out2 to In	5	3.3	dB	-	31	-
Reverse Isolation	Out3 to In	5	3.3	dB	-	23	-
Reverse Isolation	Out1 to In, Out2 to In	0	0	dB	-	45	-
OIP2	500 MHz, 2-tone, 6 MHz spacing, -10 dBm Pout	5	3.3/0	dBm	-	42	-
OIP3	500 MHz, 2-tone, 6 MHz spacing, -10 dBm Pout	5	3.3/0	dBm	-	20	-
P1dB	500 MHz	5	3.3	dBm	-	7	-
P1dB	500 MHz	5	0	dBm	-	25	-
I _{DD}		5	3.3	mA	-	100	130
I _C		5	3.3	μA	-	205	250

4. The unpowered state is the same as V_{control} = 0 V

Broadband CATV 3-Way Active Splitter with default loop-through Switch 50 - 1100 MHz

Rev. V3

Absolute Maximum Ratings^{5,6,7}

Parameter	Absolute Maximum
Max Input Power	+5 dBm
V _{DD}	+10.0 V
V _{CONTROL}	+8.5 V
Operating Temperature	-40°C to +85°C
Junction Temperature ⁸	+150°C
Storage Temperature	-65°C to +150°C

5. Exceeding any one or combination of these limits may cause permanent damage to this device.
6. M/A-COM does not recommend sustained operation near these survivability limits.
7. These operating conditions will ensure MTTF > 1 x 10⁶ hours.
8. Junction Temperature (T_J) = T_A + Θ_{Jc} * (V * I)
Typical thermal resistance (Θ_{Jc}) = 73 °C/W.
a) For T_A = 25°C,
T_J = 72 °C @ 5.0 V, 130 mA
b) For T_A = 85°C,
T_J = 129 °C @ 5.0 V, 120 mA

Truth Table⁹

V _{DD}	V _{CONTROL}	IN - OUT1	IN - OUT2	IN - OUT3
1	1	On	On	On
0	0	Off	Off	On

9. Logic "1" for V_{DD} = +5 volts and V_{CONTROL} = +3.3 volts typical.

Handling Procedures

Please observe the following precautions to avoid damage:

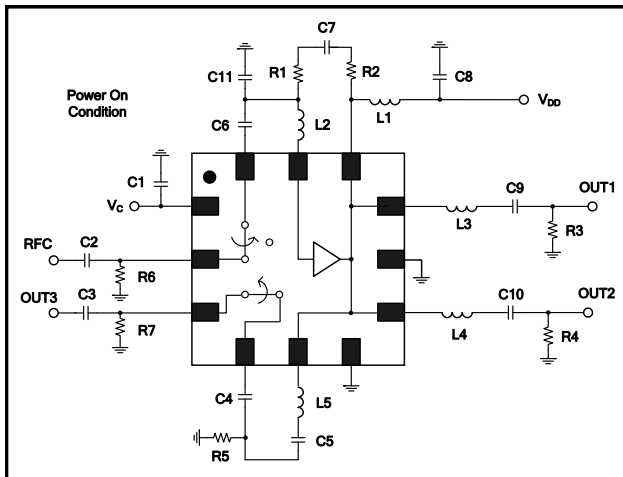
Static Sensitivity

Gallium Arsenide Integrated Circuits are sensitive to electrostatic discharge (ESD) and can be damaged by static electricity. Proper ESD control techniques should be used when handling these devices. An external protection circuit using an inexpensive anti-parallel diode pair can be used to protect the IC.

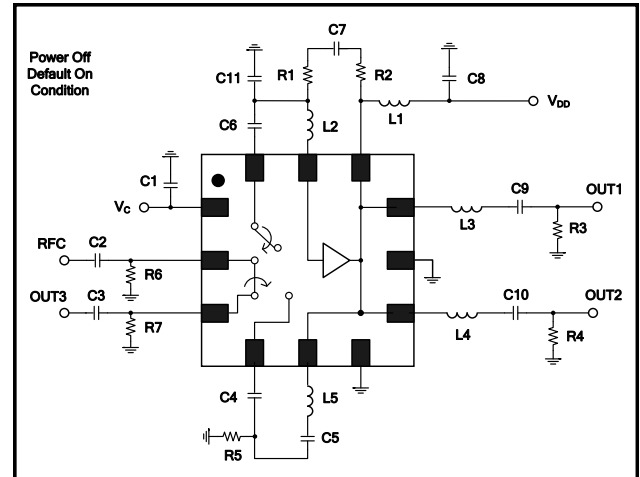
Please reference application note AN3028 on <http://www.macomtech.com> for further detail.

Schematics Including Off-Chip Components¹⁰

Power On Condition

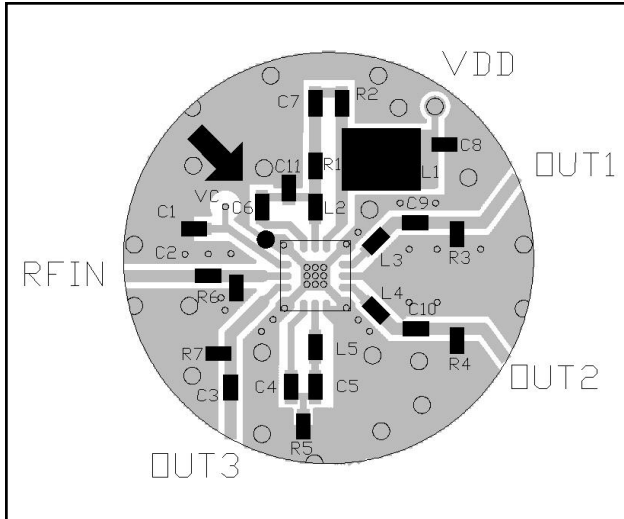


Power Off, Default on Condition

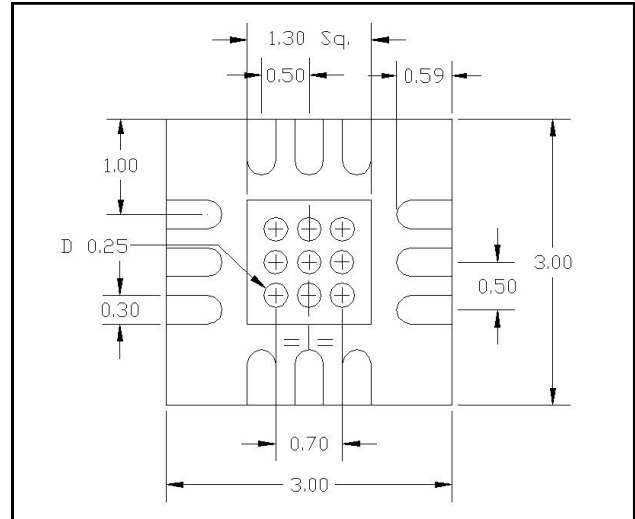


10. The exposed pad centered on the package bottom must be connected to ground for RF, DC and thermal considerations.

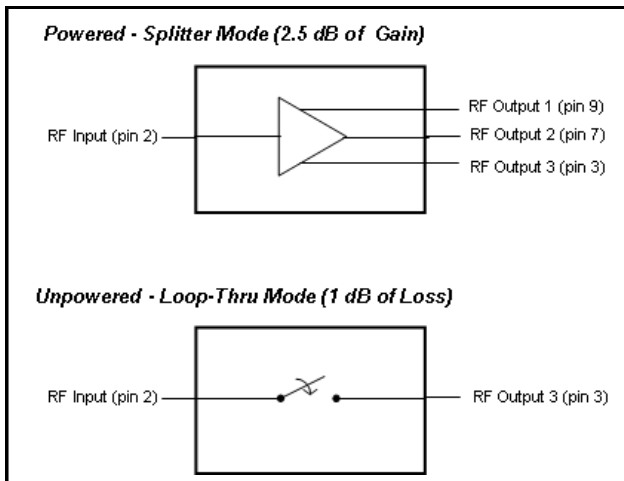
Recommended PCB



PCB Land Pattern



Block Diagram RF Signal Flow



Off-Chip Component Values

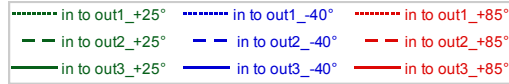
Component	Value	Package
C1 - C10	0.01 μ F	0402
C11	1.0 pF	0402
L1 ¹¹	1 μ H	1210
L2 - L5	7.5 nH	0402
R1, R2	300 Ω	0402
R3, R4	180 Ω	0402
R5	250 Ω	0402
R6, R7	22 k Ω	0402

11. L1 supplied from EPCOS, part number B82422A1102K100

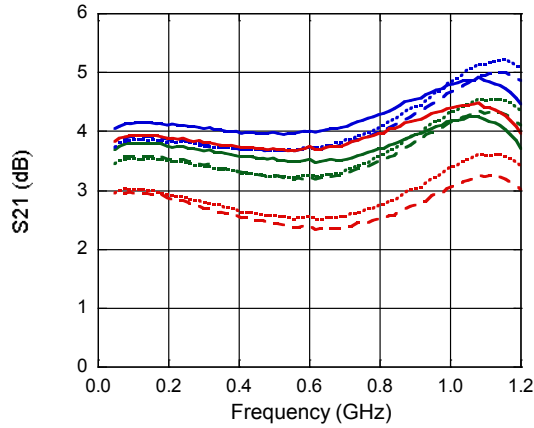
Broadband CATV 3-Way Active Splitter with default loop-through Switch 50 - 1100 MHz

Rev. V3

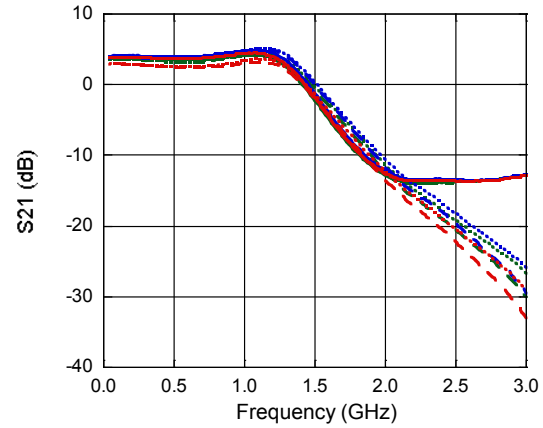
Typical Performance Curves



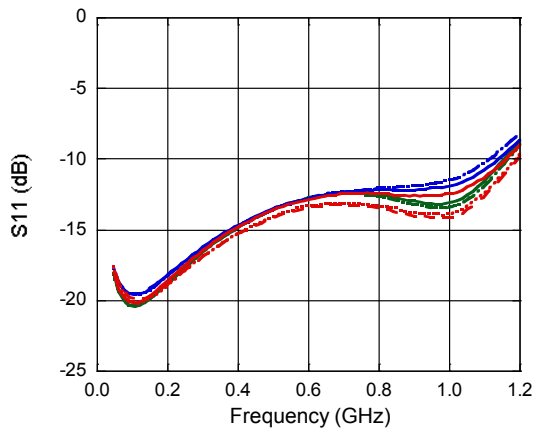
Gain



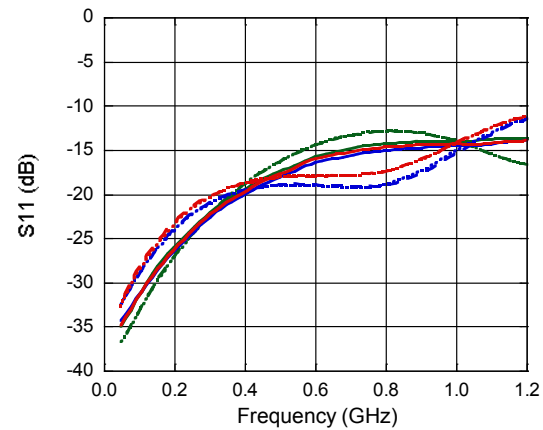
Gain



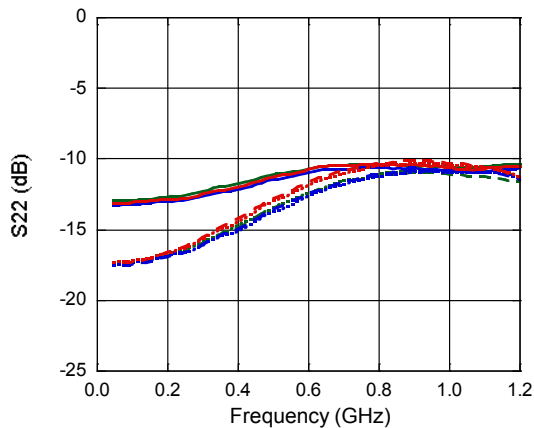
Input Return Loss (power on)



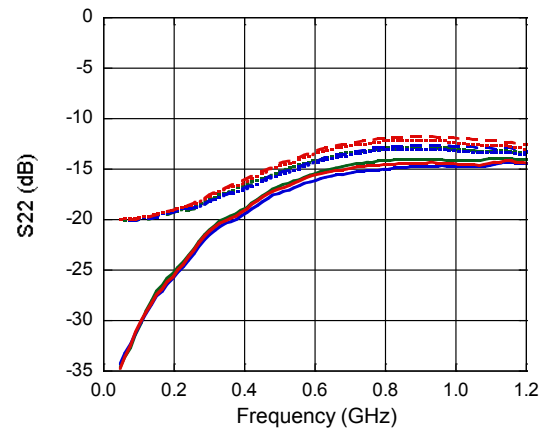
Input Return Loss (power off)



Output Return Loss (power on)

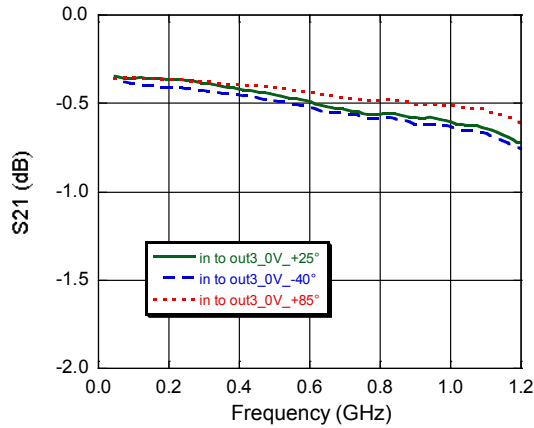


Output Return Loss (power off)

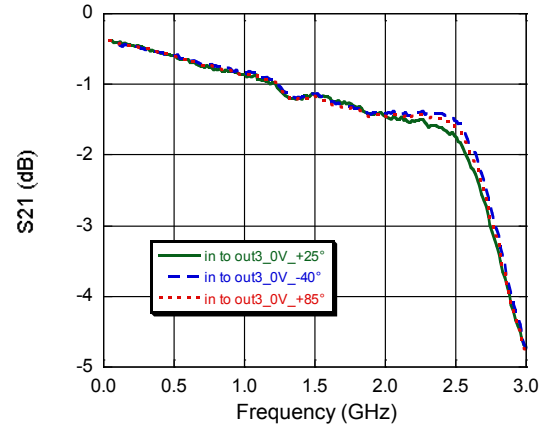


Typical Performance Curves

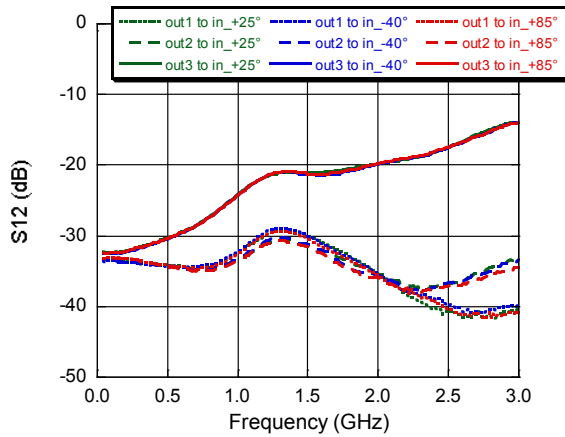
Insertion Loss to 1 GHz (power off)



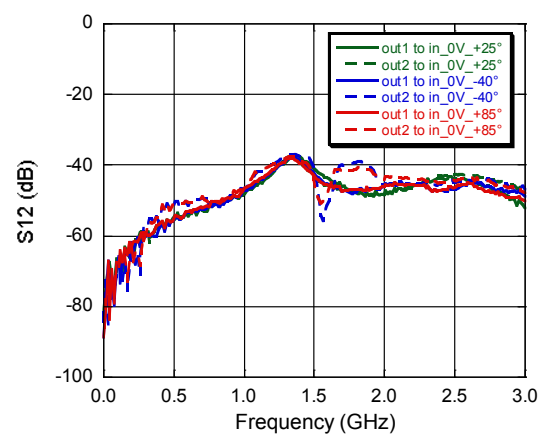
Insertion Loss to 3 GHz (power off)



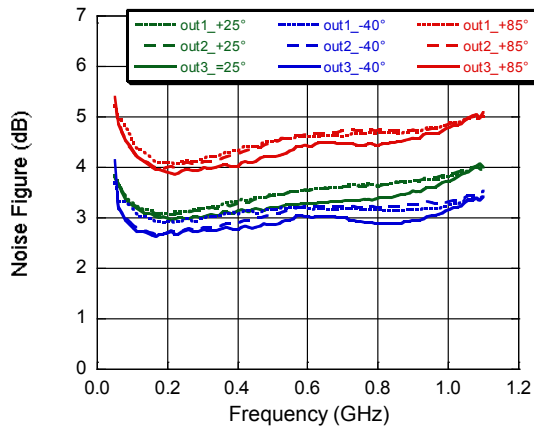
Reverse Isolation to 3 GHz (power on)



Reverse Isolation to 3 GHz (power off)



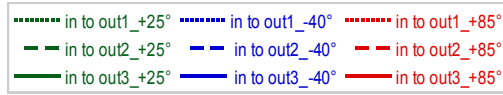
Noise Figure



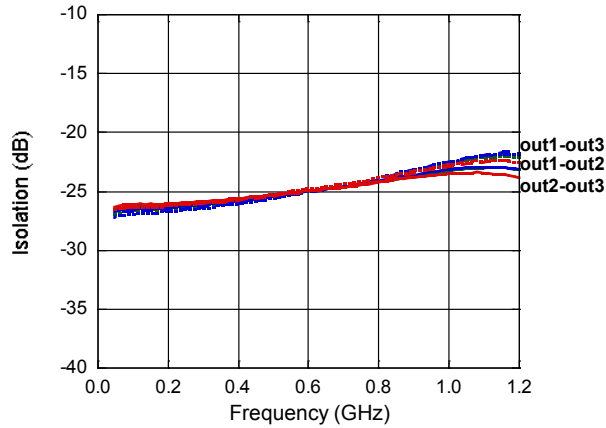
Broadband CATV 3-Way Active Splitter with default loop-through Switch 50 - 1100 MHz

Rev. V3

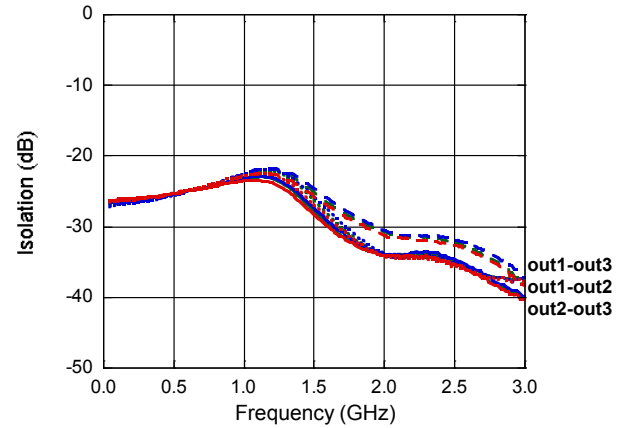
Typical Performance Curves



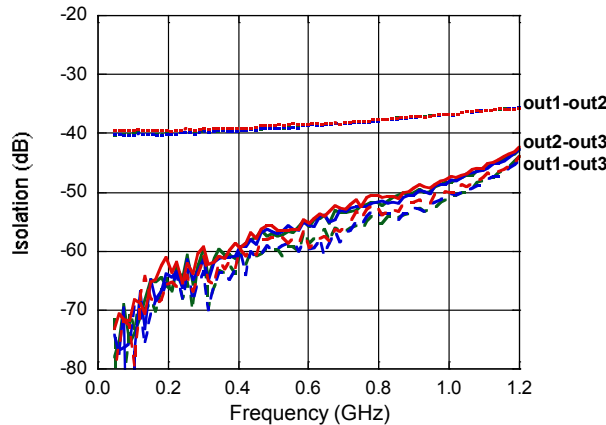
Out to Out Isolation to 1 GHz (power on)



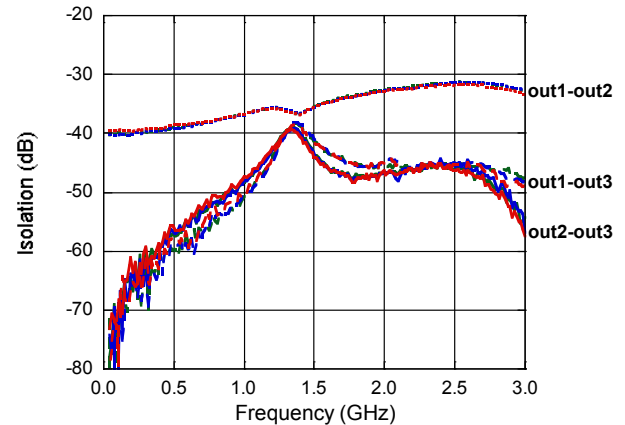
Out to Out Isolation to 3 GHz (power on)



Out to Out Isolation to 1 GHz (power off)



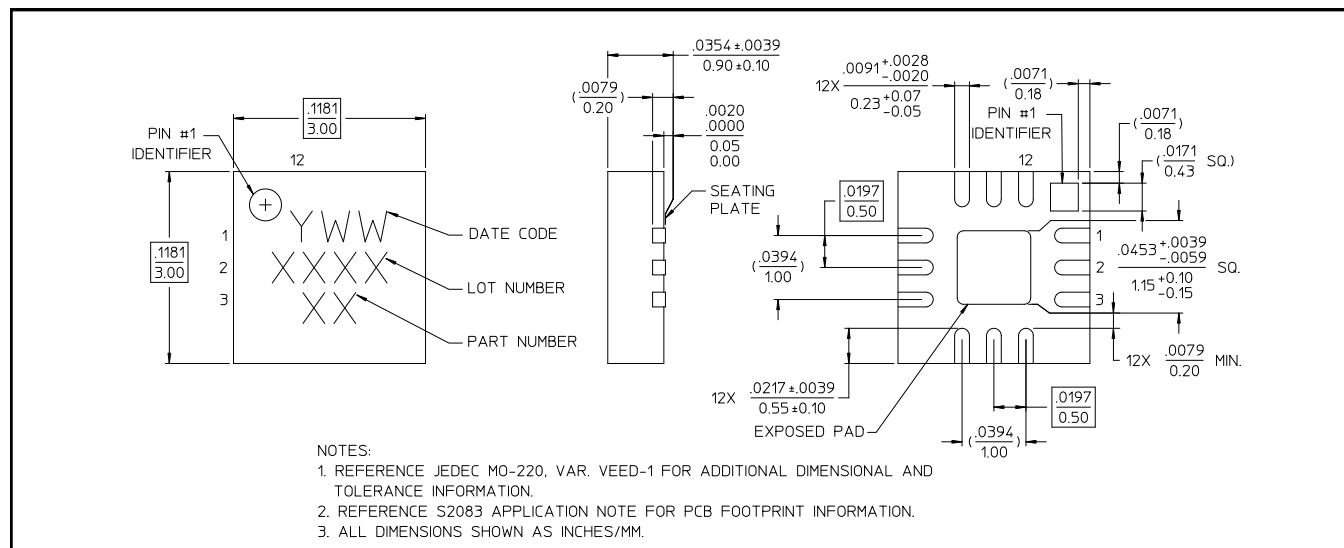
Out to Out Isolation to 3 GHz (power off)



Broadband CATV 3-Way Active Splitter with default loop-through Switch 50 - 1100 MHz

Rev. V3

Lead-Free 3 mm 12-Lead PQFN[†]



[†] Reference Application Note S2083 for lead-free solder reflow recommendations.
 Meets JEDEC moisture sensitivity level 1 requirements.
 Plating is 100% matte tin plating over copper.

M/A-COM Technology Solutions Inc. All rights reserved.

Information in this document is provided in connection with M/A-COM Technology Solutions Inc ("MACOM") products. These materials are provided by MACOM as a service to its customers and may be used for informational purposes only. Except as provided in MACOM's Terms and Conditions of Sale for such products or in any separate agreement related to this document, MACOM assumes no liability whatsoever. MACOM assumes no responsibility for errors or omissions in these materials. MACOM may make changes to specifications and product descriptions at any time, without notice. MACOM makes no commitment to update the information and shall have no responsibility whatsoever for conflicts or incompatibilities arising from future changes to its specifications and product descriptions. No license, express or implied, by estoppel or otherwise, to any intellectual property rights is granted by this document.

THESE MATERIALS ARE PROVIDED "AS IS" WITHOUT WARRANTY OF ANY KIND, EITHER EXPRESS OR IMPLIED, RELATING TO SALE AND/OR USE OF MACOM PRODUCTS INCLUDING LIABILITY OR WARRANTIES RELATING TO FITNESS FOR A PARTICULAR PURPOSE, CONSEQUENTIAL OR INCIDENTAL DAMAGES, MERCHANTABILITY, OR INFRINGEMENT OF ANY PATENT, COPYRIGHT OR OTHER INTELLECTUAL PROPERTY RIGHT. MACOM FURTHER DOES NOT WARRANT THE ACCURACY OR COMPLETENESS OF THE INFORMATION, TEXT, GRAPHICS OR OTHER ITEMS CONTAINED WITHIN THESE MATERIALS. MACOM SHALL NOT BE LIABLE FOR ANY SPECIAL, INDIRECT, INCIDENTAL, OR CONSEQUENTIAL DAMAGES, INCLUDING WITHOUT LIMITATION, LOST REVENUES OR LOST PROFITS, WHICH MAY RESULT FROM THE USE OF THESE MATERIALS.

MACOM products are not intended for use in medical, lifesaving or life sustaining applications. MACOM customers using or selling MACOM products for use in such applications do so at their own risk and agree to fully indemnify MACOM for any damages resulting from such improper use or sale.

M/A-COM Technology Solutions Inc. (MACOM) and its affiliates reserve the right to make changes to the product(s) or information contained herein without notice.
Visit www.macom.com for additional data sheets and product information.