

### Features

- Linearizes M/A-COM's PIN Diode Vector Modulators Over a 360° Phase Range
- Dual Channels Allow One Driver per Vector Modulator
- Guaranteed Minimum Output Currents of 20 mA
- Operates with a Single Supply Voltage of +5V
- Low Quiescent Currents
- Single Control Voltage for Each Channel
- 6 x 4 mm Chip Scale Package
- Test Boards with Vector Modulators are Available
- Tape and Reel Packaging Available
- PQFN Package

### Description

M/A-COM's MADRCC0002 is a dual, break point free driver that produces a logarithmic output current suitable for linearizing PIN diode based vector modulators. This driver, in conjunction with the external components, as defined in Figure 1, produces a linearized transfer function between the input control voltage of the driver and the attenuation / phase output of the vector modulator. The MADRCC0002 has been optimized for linearizing M/A-COM's Vector Modulators (see Table 1), but will function well with most types of cathode grounded vector modulators. The driver is packaged in a 6 x 4 mm Chip Scale Package for commercial SMT applications. A typical schematic for a dual linearizer driving a vector modulator is shown in Figure 1.

### Circuit Description:

#### (Reference Figures 1, 2 and 3)

Note that this is a dual driver. Only the top circuit will be described, because the bottom circuit is identical. The input divider, R1 and the sum of R2 and R3, sets the overall transfer function of the circuit. To increase the transfer function, decrease the Control Voltage and the value of R1. Temperature compensation is a function of the temperature coefficient of the thermistor, R3, and the ratio of R2 to R3, and can only be optimized once the transfer function and linearity component values have been established. Varying the value of R4 will optimize the linearity of the VVA. One can achieve a more linear transfer function by driving the attenuator over a smaller portion of its dynamic range. Note that when the vector modulators called out in Table 1 are driven with the dual linearizer, both amplitude and phase are affected, which makes it hard to define linearity. The individual transfer function of each voltage variable attenuator in the vector modulator (See Figure 2 for the block diagram) is linearized as a function of voltage. The two VVAs in the block diagram are the quad hybrids that are terminated by two PIN diodes. See Figure 3 for the transfer function of the SA90-0001 vector modulator (phase and attenuation vs. control voltages).

### Ordering Information

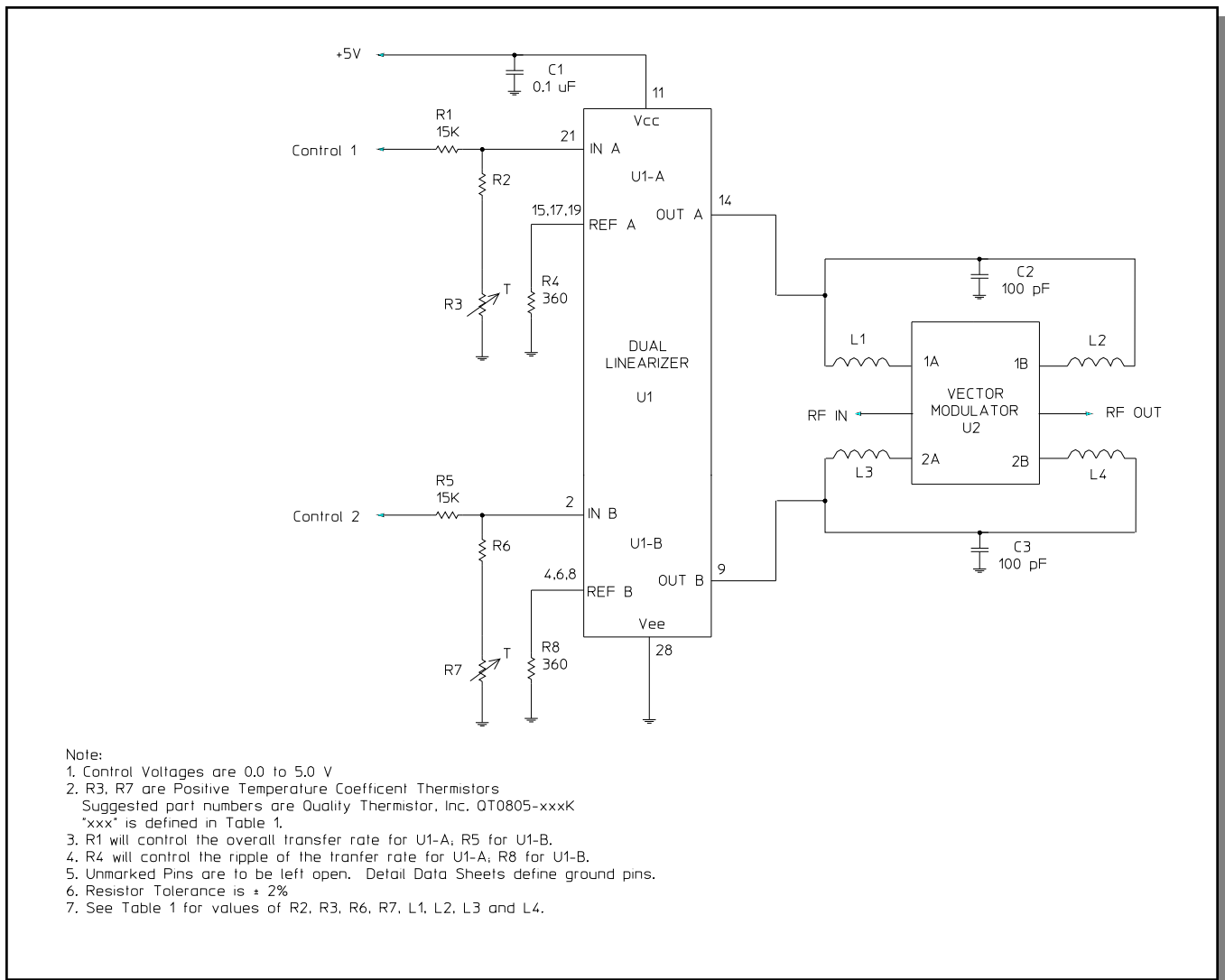
| Part Number      | Package   |
|------------------|---|
| MADRCC0002       | Bulk Packaging  |
| MADRCC0002TR     | Tape & Reel (1K Reel)   |
| MAMDCC0005-DC000 | Test Board with Circuit per Figure 1 (MAMDCC0005, GSM Vector Modulator) |
| MAMDCC0002-DC000 | Test Board with Circuit per Figure 1 (MAMDCC0002, PCS Vector Modulator) |
| SA90-0001-DC000  | Test Board with Circuit per Figure 1 (SA90-0001, UMTS Vector Modulator) |

Note: Reference Application Note M513 for reel size information.

### Electrical Specifications: $T_A = 25^\circ\text{C}$ , $Z_0 = 50\Omega$ , Reference Figure 1 (Each Circuit)

| Parameter                          | Test Conditions                      | Units | Min | Typ | Max             |
|------------------------------------|--------------------------------------|-------|-----|-----|-----------------|
| Output Drive Current               | $V_{\text{control}} = V_{\text{CC}}$ | mA    | 20  | —   | —               |
| +V <sub>CC</sub> Supply Range      | —                                    | V     | 4.5 | 5.0 | 5.5             |
| IN, REF Voltage                    | —                                    | V     | 0   | —   | V <sub>CC</sub> |
| +V <sub>CC</sub> Quiescent Current | No Load                              | μA    | —   | 50  | 70              |
| Settling Time                      | 50% Ctl to 90%/10% RF                | μS    | —   | 25  | —               |

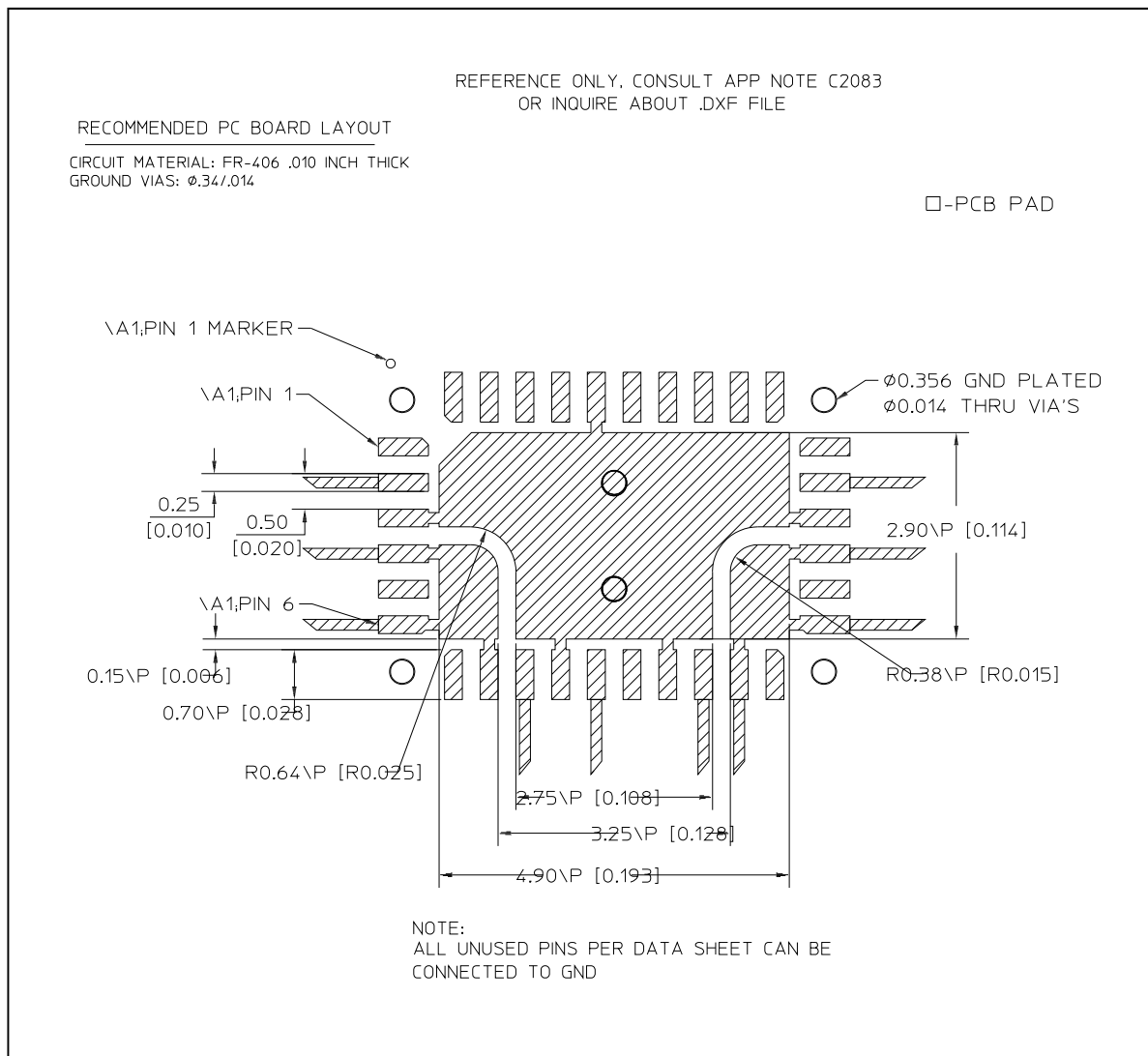
Figure 1



**Table 1. Inductor Selection for M/A-COM Vector Modulators**

| Vector Modulator   | Frequency Range (MHz) | Coil Craft P/N L1 - L4 | Description of L1 - L4     | Resistor Values R2, R6 | Thermistor Values R3, R7 | Quality Thermistor P/N for R3, R7 |
|--------------------|-----------------------|------------------------|----------------------------|------------------------|--------------------------|-----------------------------------|
| MAIA-007099-000100 | 925-960 (GSM)         | 0603CS-68NXJBC         | Inductor, 68 nH, $\pm 5\%$ | 270 Ohms               | 750 Ohms                 | QT0805-751K                       |
| MAIA-007100-000100 | 1930-1990 (PCS)       | 0603CS-27NXJBC         | Inductor, 27 nH, $\pm 5\%$ | 360 Ohms               | 680 Ohms                 | QT0805-681K                       |
| MAIA-007150-000100 | 2040-2240 (UMTS)      | 0603CS-27NXJBC         | Inductor, 27 nH, $\pm 5\%$ | 270 Ohms               | 750 Ohms                 | QT0805-751K                       |

### Recommended PCB Configuration



### Pin Configuration

| Pin No. | Function | Pin No. | Function |
|---------|----------|---------|----------|
| 1       | NC       | 17      | REF A    |
| 2       | IN B     | 18      | NC       |
| 3       | NC       | 19      | REF A    |
| 4       | REF B    | 20      | NC       |
| 5       | NC       | 21      | IN A     |
| 6       | REF B    | 22      | NC       |
| 7       | NC       | 23      | NC       |
| 8       | REF B    | 24      | NC       |
| 9       | OUT B    | 25      | NC       |
| 10      | NC       | 26      | NC       |
| 11      | Vcc      | 27      | NC       |
| 12      | NC       | 28      | GND      |
| 13      | NC       | 29      | NC       |
| 14      | OUT A    | 30      | NC       |
| 15      | REF A    | 31      | NC       |
| 16      | NC       | 32      | NC       |

The exposed pad centered on the package bottom must be connected to RF and DC ground. (For PQFN Packages)

### Handling Procedures

Please observe the following precautions to avoid damage:

### Static Sensitivity

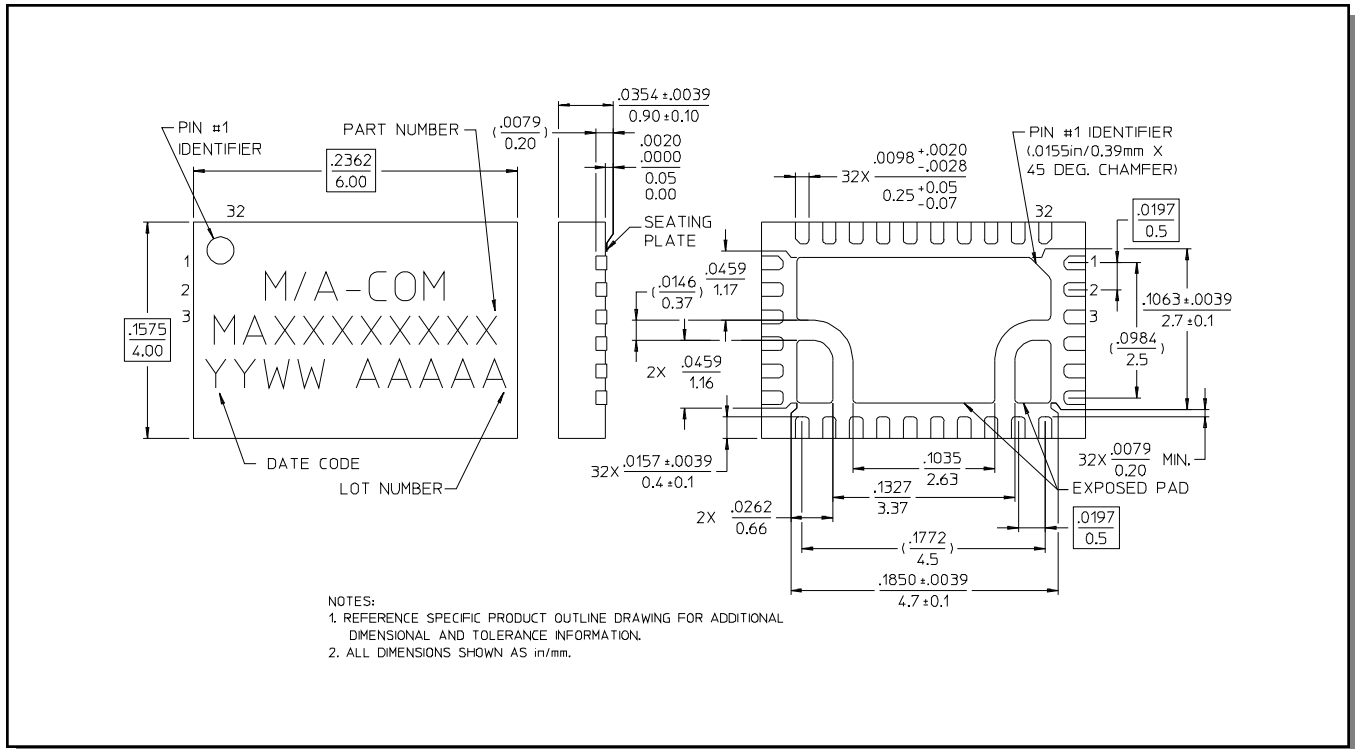
Silicon Integrated Circuits are sensitive to electrostatic discharge (ESD) and can be damaged by static electricity. Proper ESD control techniques should be used when handling these devices.

### Absolute Maximum Ratings <sup>1,2</sup>

| Parameter                                    | Absolute Maximum                      |
|--|---------------------------------------|
| +V <sub>cc</sub>                             | +20 V                                 |
| IN A, IN B                                   | -0.5V ≤ Input ≤ V <sub>cc</sub> +0.5V |
| REF A, REF B                                 | -0.5V ≤ Input ≤ V <sub>cc</sub> +0.5V |
| Output Short Circuit Duration <sup>3</sup>   | Continuous                            |
| Operating Temperature                        | -40°C to +85°C                        |
| Storage Temperature                          | -65°C to +125°C                       |
| Package Power Dissipation<br>Control Voltage | 150 mW                                |
| Lead Temperature                             | 300°C for 10 seconds                  |

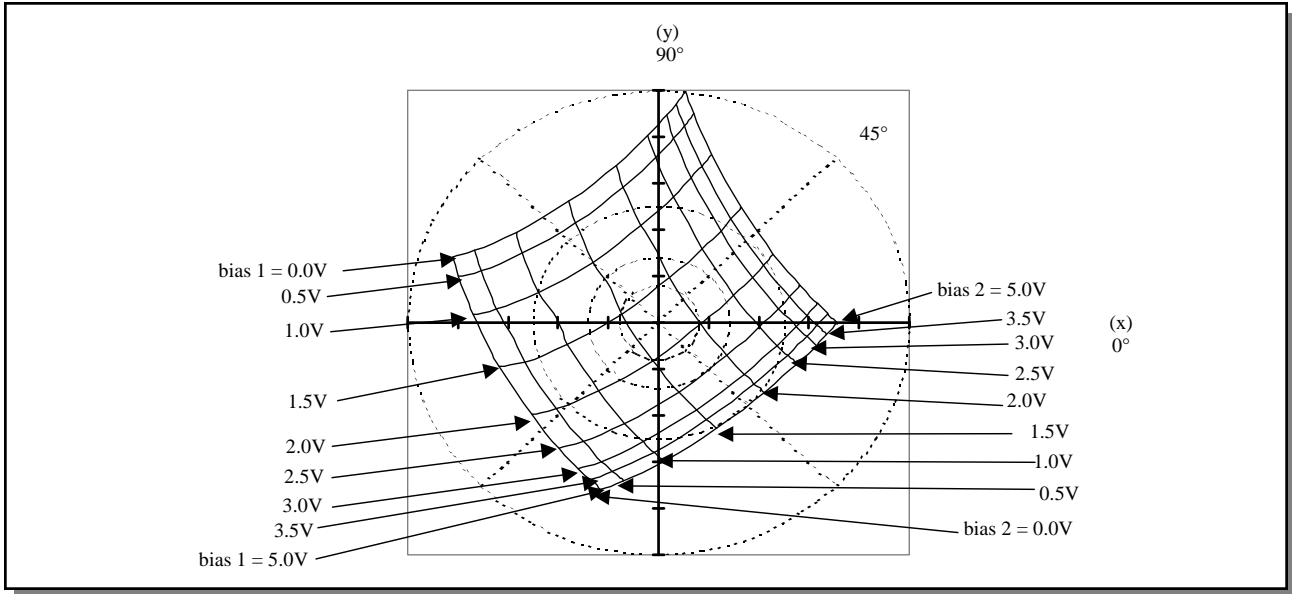
1. Exceeding any one or combination of these limits may cause permanent damage to this device.
2. M/A-COM does not recommend sustained operation near these survivability limits.
3. Additional heat sinking may be required for a continuous output short circuit to ground, to keep the junction temperature of the amplifier below 150°C.

### 4x6 mm, 32-lead PQFN†

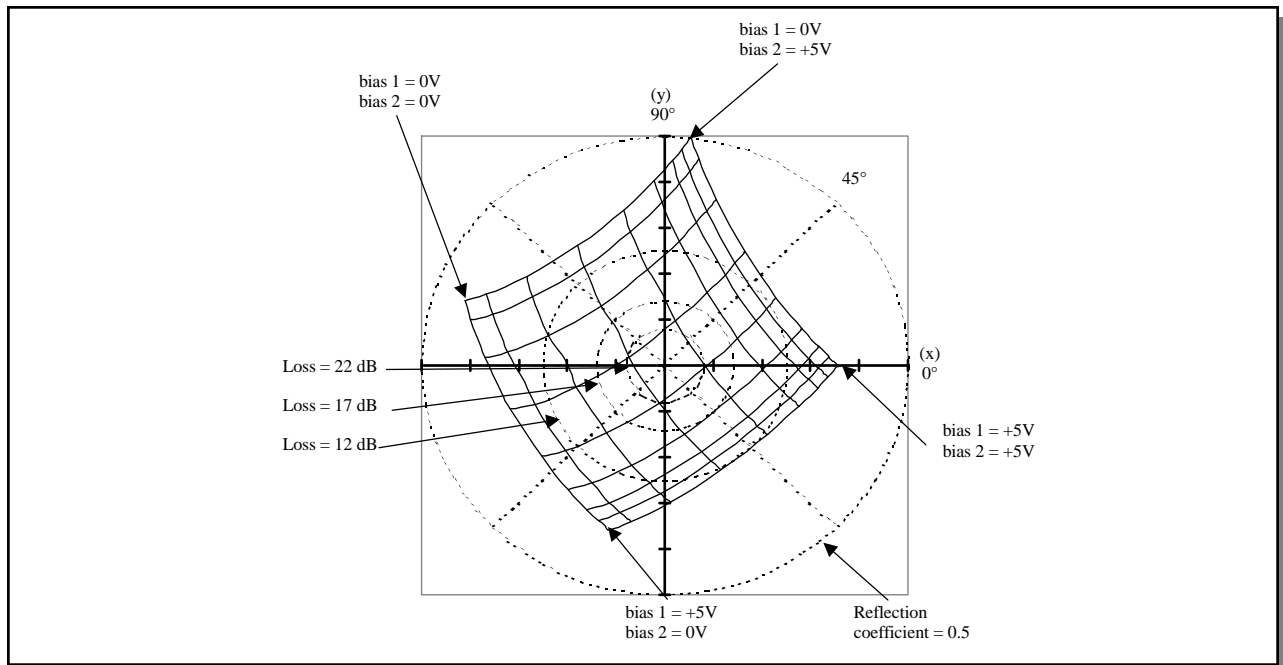


† Reference Application Note M538 for lead-free solder reflow recommendations.

**Figure 3A - Phase and Attenuation of SA90-0001, Vector Modulator Linearized with MADRCC0002 Linearizer** <sup>3,4,5,6</sup>



**Figure 3B**



3. Tic marks on x,y axes refer to reflection coefficient in increments of 0.1V. Reflection coefficients vary from -0.5 to +0.5 on both the x and y axes.
4. Data is for vector modulators driven by linearizers per attached schematic.
5. Inputs to the linearizers vary from 0 to 5V.
6. The phase with the inputs to both linearizers set to +5V is arbitrarily called zero degrees.

**Figure 2—Block Diagram  
Vector Modulator**

