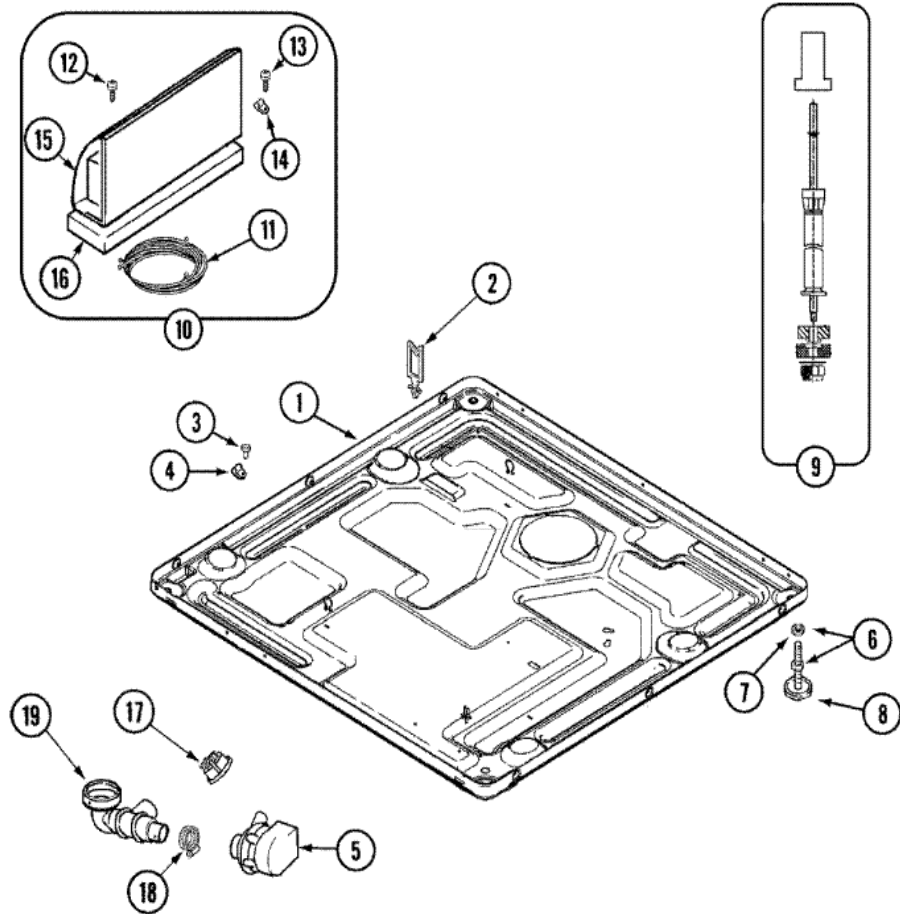


Distribuidor Autorizado

SurteRápido.com

Venta de Refacciones  
Electrodomesticas

# MAH21PNDWW BASE





## MAH21PNDWW BASE

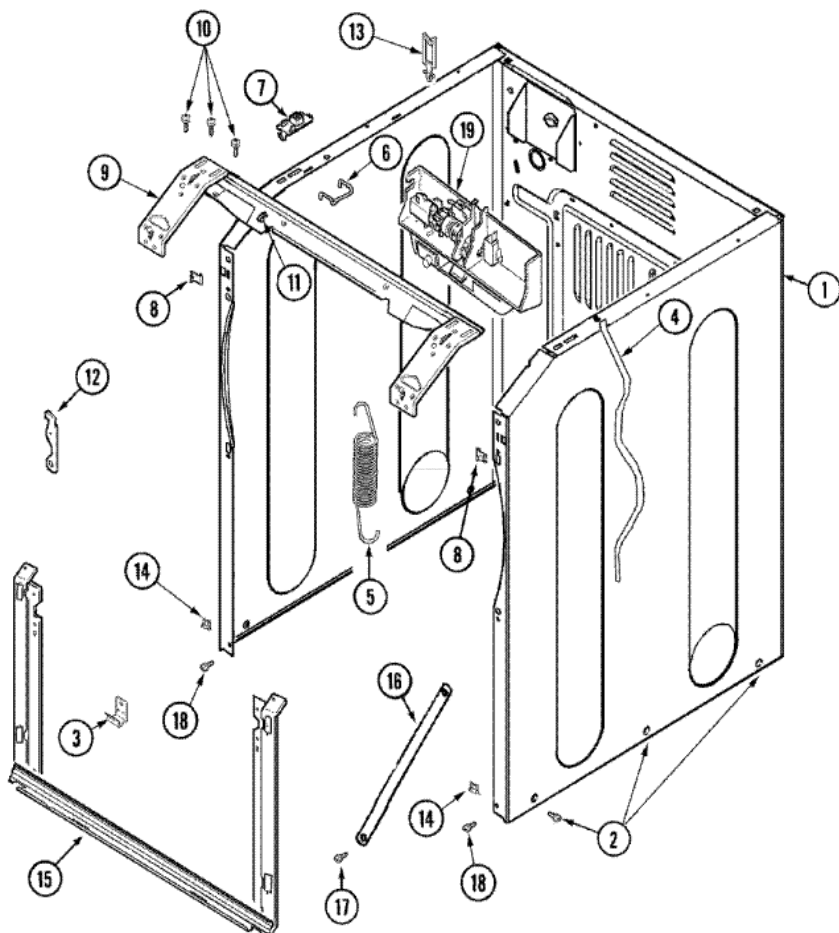
1	22003298	RETAINER, WIRE (S/P)
1	22003435	COMMERCIAL BASE WELD ASSY (S/P)
2	22003298	RETAINER, WIRE (S/P)
3	212276	SCREW (S/P)
4	22002014	CLIP (S/P)
5	25001052	PUMP
5	22002853	CLAMP, HOSE (S/P)
5	22003268	CAP, RUBBER (S/P)
6	22003544	ADJUSTABLE LEG W/FOOT & NUT
7	Y052740	NUT (S/P)
8	210684	FOOT, RUBBER
9	22001988	STRUT ASSY-REAR
10	22004046	CONTROL ASSY., MOTOR
10	22004473	MOTOR CONTROL ASSEMBLY
11	22004212	HARNESS, MOTOR/MOTOR CONTROL (S/P)
12	212276	SCREW (S/P)
13	210720	RIVET (S/P)
14	22002014	CLIP, WIRE HARNESS (S/P)
15	22003777	MOTOR CONTROL DRIP SHIELD (S/P)
15	22003773	SHIELD, MOTOR CONTROL BOARD (S/P)
16	22003548	BRACKET, MTG. (SR MOTOR CTL) (S/P)
17	22003728	SWITCH, PRESSURE
18	22001984	CLAMP, DRAIN HOSE (S/P)
19	22003262	HOSE, TUB TO PUMP
19	22002053	CLAMP, SUMP HOSE (S/P)

Distribuidor Autorizado

SurteRápido.com

Venta de Refacciones  
Electrodomesticas

## MAH21PNDWW GABINETE





**MAH21PNDWW GABINETE**

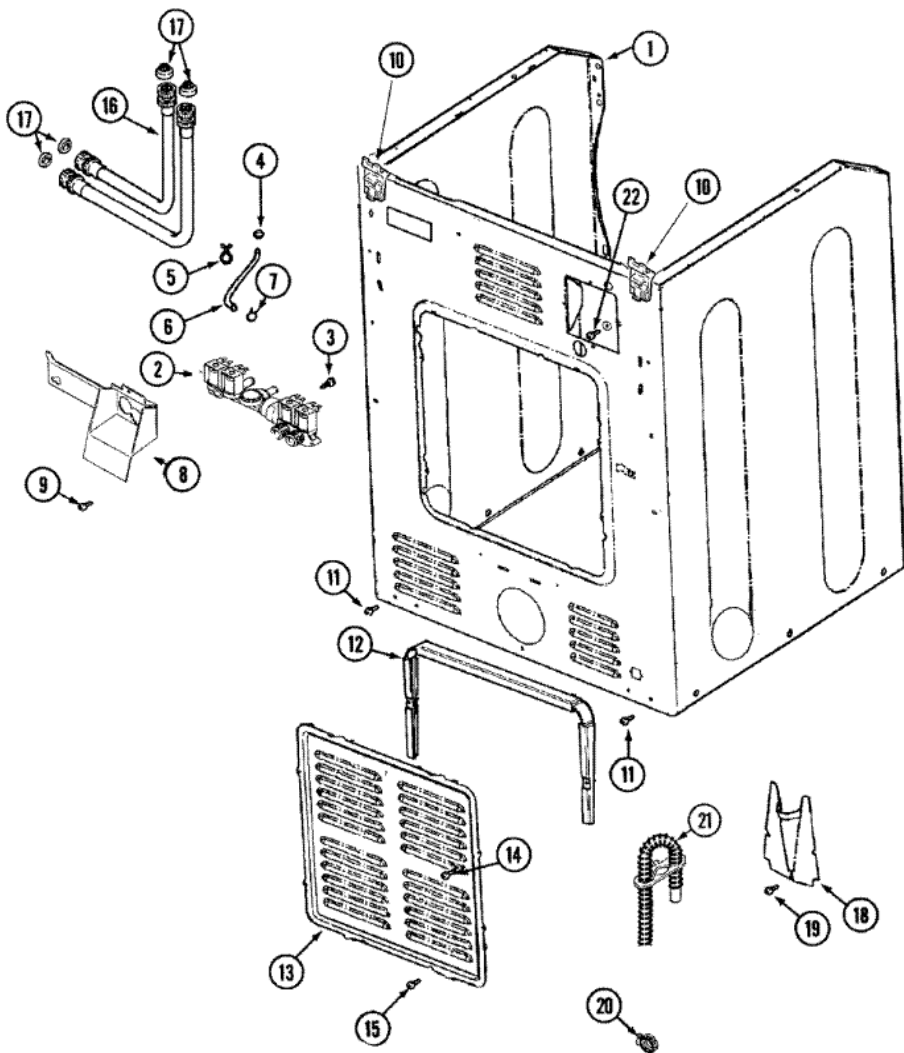
1	22003639	<b>DESCONTINUADO</b>
2	22003409	<b>DESCONTINUADO</b>
3	22002239	CLIP, LOWER FRONT PANEL (S/P)
4	33001836	STRAP, TOP COVER SUPPORT (S/P)
5	22003254	SPRING, CABINET (S/P)
6	22002297	SUPPORT, SPRING (S/P)
7	22001997	SPACER, TOP COVER (S/P)
8	22002049	CLIP (S/P)
9	22003637	BRACE ASSEMBLY, TOP CROSS (S/P)
10	22001995	SCREW (S/P)
11	22002014	CLIP (S/P)
12	33002597	HOOK, SECURITY (S/P)
13	22003298	RETAINER, WIRE (S/P)
14	22002013	STOP, SHIPPING (S/P)
15	22003652	SHROUD SUPPORT ASSEMBLY (S/P)
16	22002767	BRACE, CROSS (S/P)
17	22001995	SCREW (S/P)
18	22001995	SCREW (S/P)
19	22003706	DOOR LOCK ASSEMBLY, COMMERCIAL

Distribuidor Autorizado

SurteRápido.com

Venta de Refacciones  
Electrodomesticas

## MAH21PNDWW GABINETE





## MAH21PNDWW GABINETE

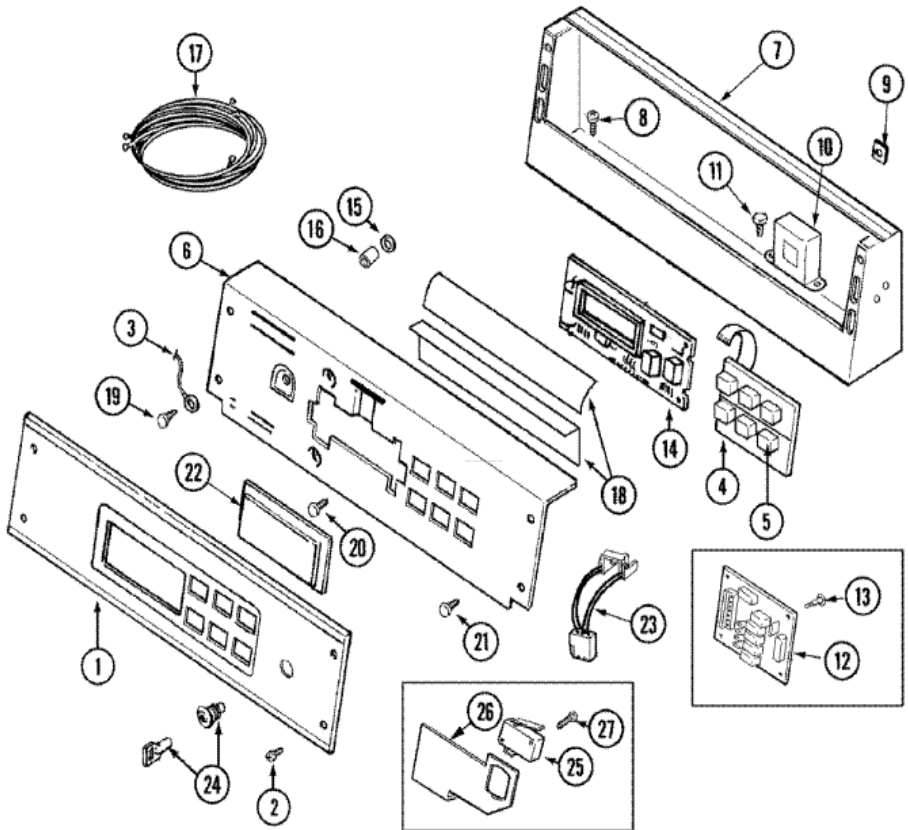
1	22003639	<b>DESCONTINUADO</b>
2	22003940	VALVE, WATER (S/P)
3	22002925	SCREW (S/P)
4	22002054	CLAMP, STEPLESS (S/P)
5	22003707	CABLE, TIE (S/P)
6	22002083	HOSE, INJECTOR
7	216169	CLAMP, HOSE-INJEC.HOSE TO VALVE (S/P)
8	33002212	BRACKET, WATER VALVE (S/P)
9	22002436	SCREW (S/P)
10	22004095	HINGE, PLASTIC
11	22001995	SCREW (S/P)
12	22002022	SPACER, ACCESS PANEL (S/P)
13	22004355	REAR ACCESS PANEL (S/P)
13	22002092	PANEL, ACCESS (S/P)
14	22002295	SCREW (S/P)
15	22001996	SCREW (S/P)
16	12001901	INLET HOSE ASSY. (COLD) (S/P)
16	12001900	INLET HOSE ASSY. (HOT) (S/P)
17	12001413	STRAINER & WASHER KIT (S/P)
18	22002704	COVER, DRAIN HOSE (S/P)
19	22001995	SCREW (S/P)
20	22001984	CLAMP, DRAIN HOSE (S/P)
21	22002892	RETAINER, DRAIN HOSE (S/P)
21	12001807	DRAIN HOSE REPLACEMENT(NEPTUN)
22	33001245	<b>DESCONTINUADO</b>

Distribuidor Autorizado

SurteRápido.com

Venta de Refacciones  
Electrodomesticas

## MAH21PNDWW TABLERO





## MAH21PNDWW TABLERO

1	22004350	FACIA - PN (CONTROL PANEL) (S/P)
2	215506	SCREW, TORX (S/P)
3	205810	WIRE, GROUND (S/P)
4	206808	CONTROL SWITCH ASSY. (S/P)
4	215527	SCREW (S/P)
5	33002863	BUTTON, PUSH
6	22003697	<b>DESCONTINUADO</b>
7	22003101	<b>DESCONTINUADO</b>
8	22002925	SCREW (S/P)
9	215003	FASTENER (S/P)
10	22001960	TRANSFORMER
11	22001419	NUT (ELASTIC) (S/P)
11	22002925	SCREW (S/P)
12	22004171	<b>DESCONTINUADO</b>
13	22002943	STAND-OFF (S/P)
14	22003700	CONTROL BOARD
15	912077	LOCKNUT (S/P)
16	33001204	<b>DESCONTINUADO</b>
17	22004052	HARNESS UPPER SUB ASSY (S/P)
17	Y2205141	HARNESS, WIRE (S/P)
17	22003934	<b>DESCONTINUADO</b>
18	22002954	DEFLECTOR, WATER (W/ADHESIVE) (S/P)
19	211252	SCREW (S/P)
20	215526	SCREW (S/P)
21	215527	SCREW (S/P)
22	22001962	COVER, DISPLAY (S/P)
23	33002090	<b>DESCONTINUADO</b>
24	Y206081	LOCK FOR ACCESS DOOR (S/P)
24	213750	LOCKING CAM (S/P)
25	22002367	<b>DESCONTINUADO</b>
26	33001982	<b>DESCONTINUADO</b>
27	22002368	<b>DESCONTINUADO</b>

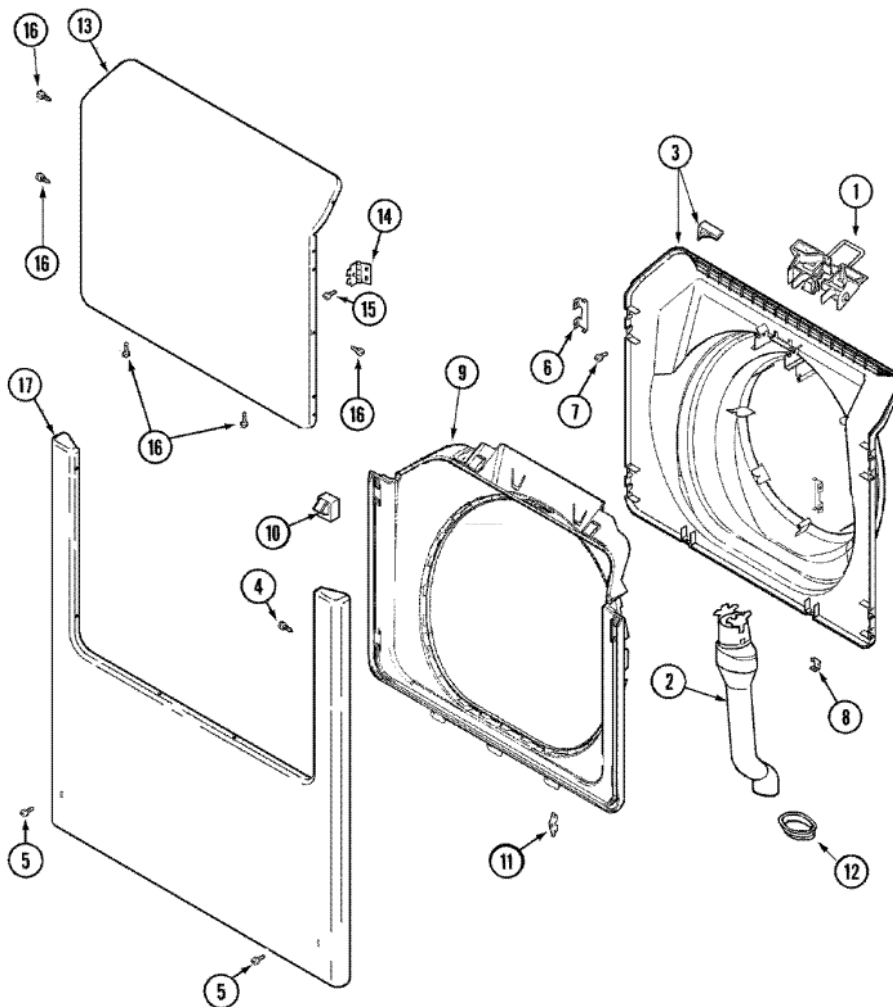


Distribuidor Autorizado

SurteRápido.com

Venta de Refacciones  
Electrodomesticas

## MAH21PNDWW PUERTA





**MAH21PNDWW PUERTA**

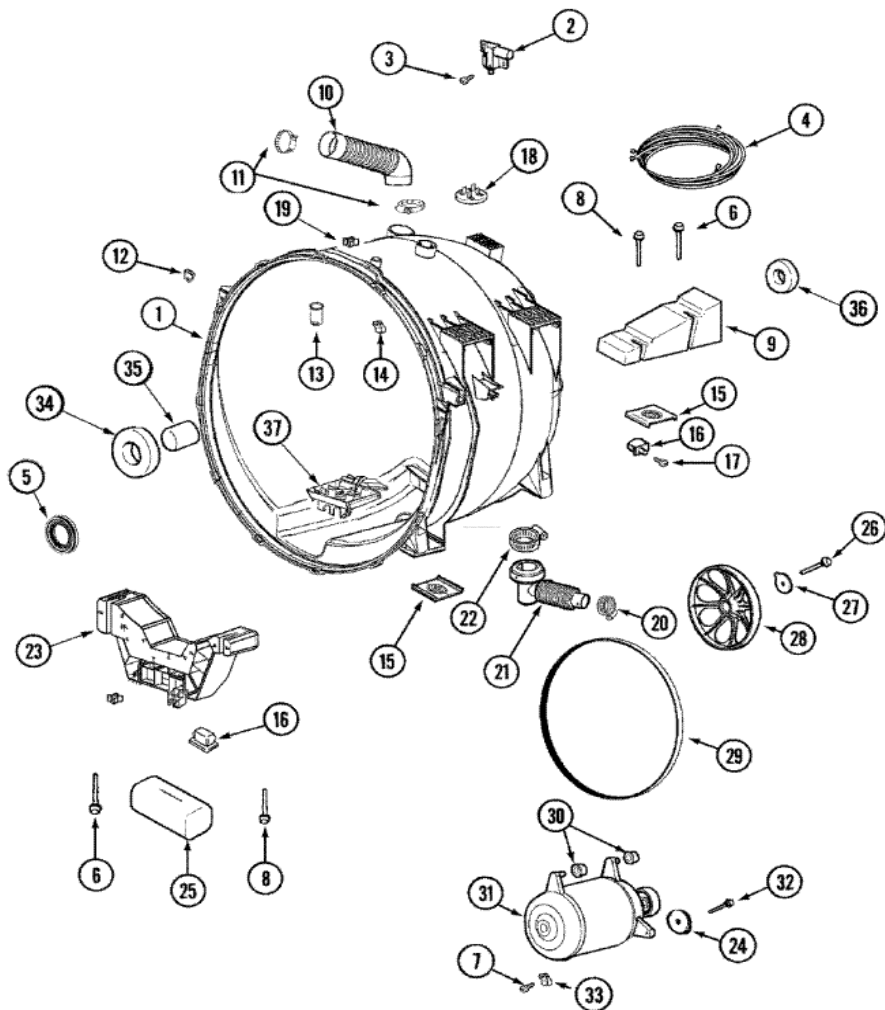
1	22003269	DOOR, LOCK HOOP ASSEMBLY (S/P)
2	22003850	VENT TUBE ASSEMBLY (S/P)
3	22003275	DOOR, INNER (WHT)
4	22002244	CLIP, GROUNDING (S/P)
5	33002190	SCREW (No.10-3/8`) (S/P)
6	22002038	CLIP, DOOR (DOUBLE) (S/P)
7	22002007	SCREW (S/P)
8	22002039	CLIP, DOOR (SINGLE) (S/P)
9	22002234	<b>DESCONTINUADO</b>
10	22002836	PANEL, FRONT (WHT) (S/P)
11	33001764	COVER, HINGE HOLE (WHT) (S/P)
11	33001846	SCREW (S/P)
12	22003075	GROMMET, VENT TUBE (S/P)
13	22002333	LABEL, OPEN DOOR (WASHER) (S/P)
13	22003785	DOOR, OUTER (WHT) (S/P)
14	22002798	HINGE, DOOR (S/P)
15	22002243	SCREW (S/P)
15	22002244	CLIP, GROUNDING (S/P)
15	22002062	SCREW (S/P)
16	22002063	SCREW (S/P)

Distribuidor Autorizado

SurteRápido.com

Venta de Refacciones  
Electrodomesticas

MAH21PNDWW TINA





## MAH21PNDWW TINA

1	22002061	SCREW (S/P)
1	22004465	OUTER TUB ASSY, AS PACK (S/P)
2	22003302	SWITCH, INTERNAL UNBALANCE (S/P)
3	912615	SCREW, No.8X1/2 HEX WASHER HEAD (S/P)
3	22002061	SCREW (S/P)
4	22004052	HARNESS UPPER SUB ASSY (S/P)
5	12002022	LIP SEAL KIT
6	22003615	BOLT, DOUBLE SEMS 5-3/8 (S/P)
6	33002973	SCREW, No.9-15 X 1.00 HX WS (S/P)
7	22002019	SCREW (S/P)
8	33002973	SCREW, No.9-15 X 1.00 HX WS (S/P)
8	22003616	BOLT, DOUBLE SEMS 3-3/8 (S/P)
9	22002102	WEIGHT, COUNTER BALANCE (S/P)
10	22002083	HOSE, INJECTOR
11	22003627	CLAMP, STEPLESS (S/P)
12	22002103	CLIP, U (S/P)
13	22002954	DEFLECTOR, WATER (W/ADHESIVE) (S/P)
14	22002006	CLIP (S/P)
15	22002065	NUT, COUNTER BALANCE (S/P)
16	22002044	SWITCH, TUB DISPLACEMENT (S/P)
17	22002061	SCREW (S/P)
18	22002061	SCREW (S/P)
18	22002797	CLIP, HOSE (SADDLE HORN) (S/P)
19	22002006	CLIP (S/P)
19	22002019	SCREW (S/P)
20	22001984	CLAMP, DRAIN HOSE (S/P)
21	22003262	HOSE, TUB TO PUMP
22	22002053	CLAMP, SUMP HOSE (S/P)
23	22004472	LOWER BRACKET (S/P)
23	33002973	SCREW, No.9-15 X 1.00 HX WS (S/P)
24	22002320	WASHER, STRUT (S/P)
25	22003827	CUSHION (S/P)
26	22002057	SCREW, SPINNER (S/P)

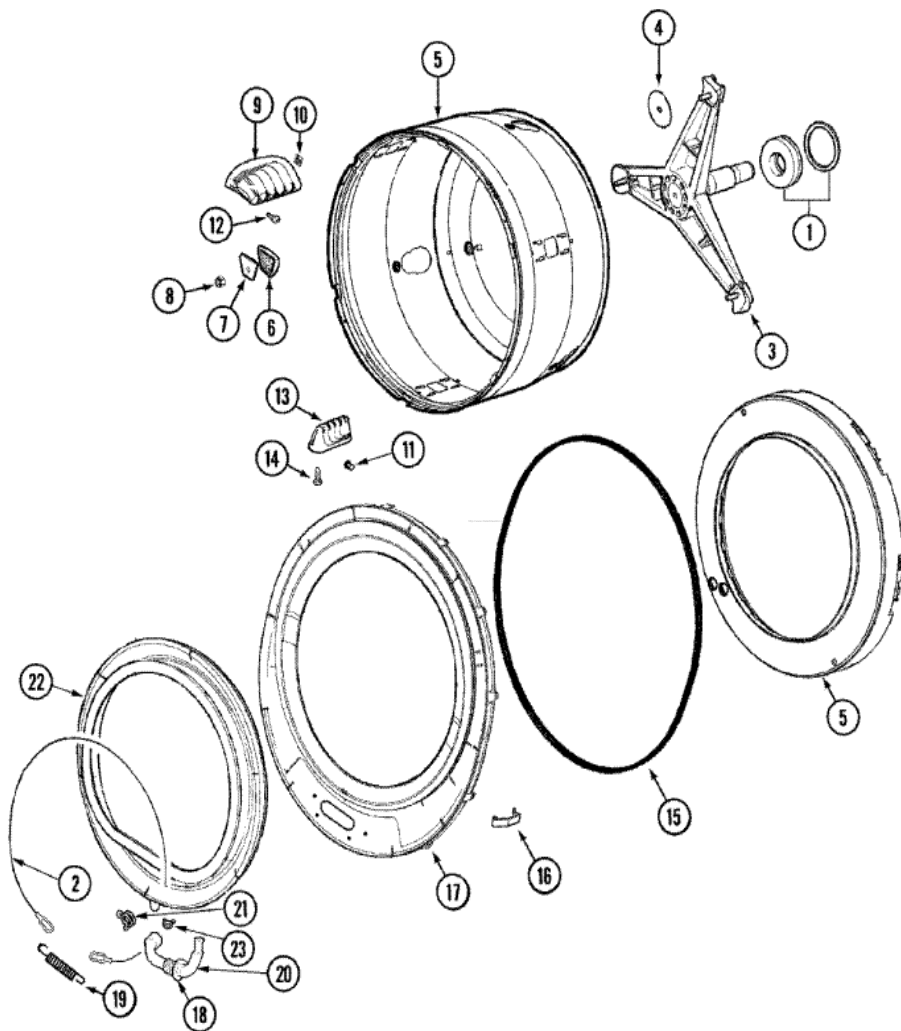
27	22003936	WASHER (1 1/4") (S/P)
28	22002315	PULLEY, SPINNER
29	12001788	BELT, DRIVE
30	22003329	ISOLATOR, MOTOR (S/P)
31	22003856	MOTOR, VARIABLE SPEED
32	22003686	BOLT, MOTOR (S/P)
33	22002006	CLIP (S/P)
34	24001015	BEARING, FRONT
35	22002935	SPACER, BEARING (S/P)
36	22003441	BEARING, REAR
37	22003710	SUMP CAP W/ LABYRINTH FEATURE (S/P)
37	22002059	SCREW (S/P)

Distribuidor Autorizado

SurteRápido.com

Venta de Refacciones  
Electrodomesticas

## MAH21PNDWW SELLOS

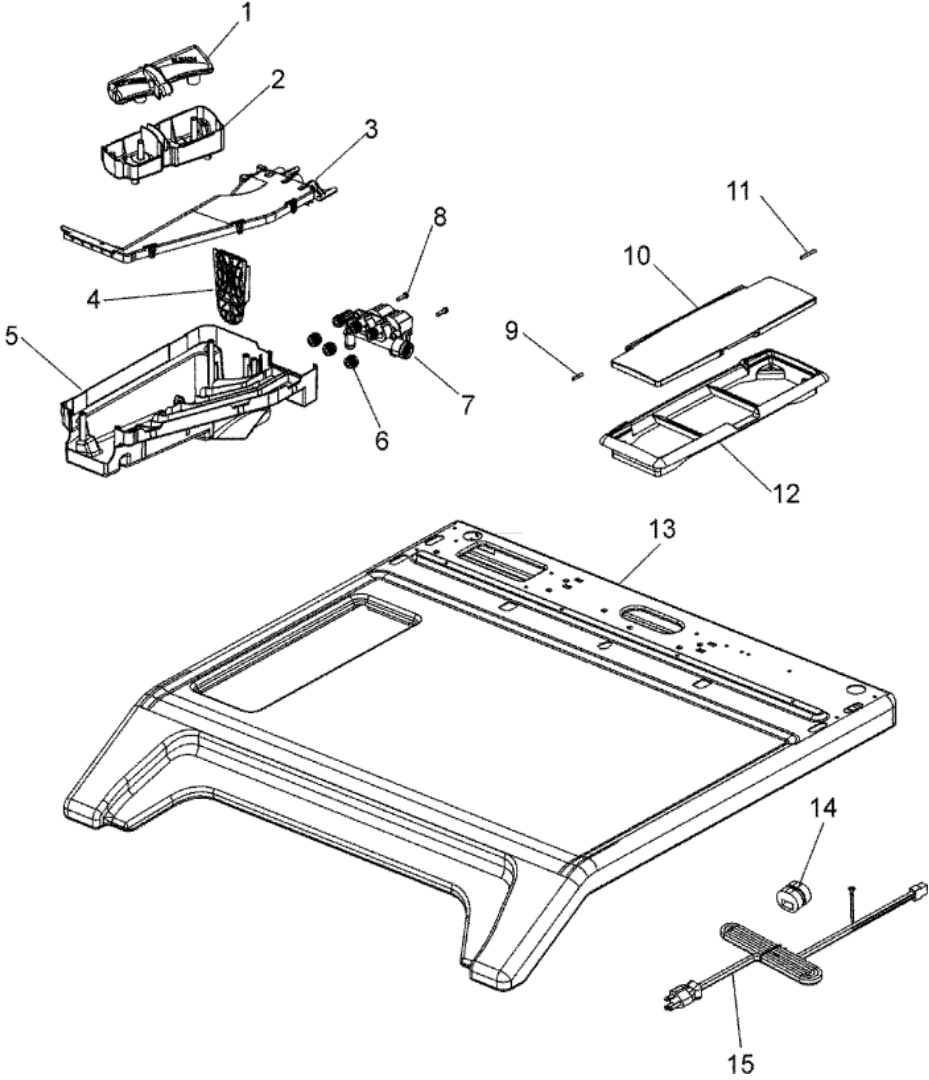




## MAH21PNDWW SELLOS

1	12002022	LIP SEAL KIT
2	22002327	BOOT CABLE CLAMP (S/P)
3	22002123	TUBE, MOLYKOTE (S/P)
3	22002897	SPINNER SUPPORT ASSY AS-PK KIT
4	22002023	WASHER, PLASTIC (S/P)
5	22003670	SPINNER ASSY. (W/BALANCE RING)
6	22002482	WASHER, PROFILE (S/P)
7	22002020	WASHER, SPINNER SUPPORT (S/P)
8	2207454	NUT, SPINNER ATTACHMENT (S/P)
9	22001985	BAFFLE, DRIP (REAR) (S/P)
10	22002009	GROMMET, BAFFLE (REAR) (S/P)
11	22001999	GROMMET, BAFFLE (FRT) (S/P)
12	22003556	SCREW (S/P)
13	22001986	BAFFLE, DRIP (FRONT) (S/P)
14	22002059	SCREW (S/P)
15	22002077	SEAL, TUB COVER (S/P)
16	22002050	CLIP, TUB TO COVER (S/P)
17	22004254	ASSY., TUB COVER & SEAL (S/P)
18	22003074	GUARD, HOSE (S/P)
19	22002099	SPRING, TUB (S/P)
20	22004477	DOOR BOOT DRAIN HOSE
21	22003072	CLAMP, HOSE DOUBLE WIRE (S/P)
22	22003893	DOOR BOOT, BLACK (S/P)
23	22003073	CLAMP, HOSE DOUBLE WIRE (S/P)
24	22003081	PLUG (S/P)

**MAH21PNDWW TAPA**







## MAH21PNDWW TAPA

1	22003849	SIPHON CAP (S/P)
2	22003848	SIPHON CUP (S/P)
3	22003845	DISPENSER COVER (FLUME) (S/P)
4	22003321	GRID, DISPENSER (S/P)
5	22003844	DISPENSER BOTTOM (S/P)
6	22003847	VALVE SEAL (S/P)
7	22003835	<b>DESCONTINUADO</b>
7	12001930	DISPENSER VALVE (S/P)
8	22002243	SCREW (S/P)
9	Y912679	PIN, HINGE (SHORT) (S/P)
10	22002941	LID, DISPENSER (S/P)
11	Y912678	PIN, HINGE (LONG) (S/P)
12	22003665	BEZEL, DISPENSER (S/P)
13	22004180	COVER, TOP (WHT-AS PK) (S/P)
14	211881	GROMMET, CORD (S/P)
15	22003062	CORD, POWER (AS WRAPPED) (S/P)