



D.W. BOYD CORPORATION

757-423-2268

Parts Manual MAH21PN

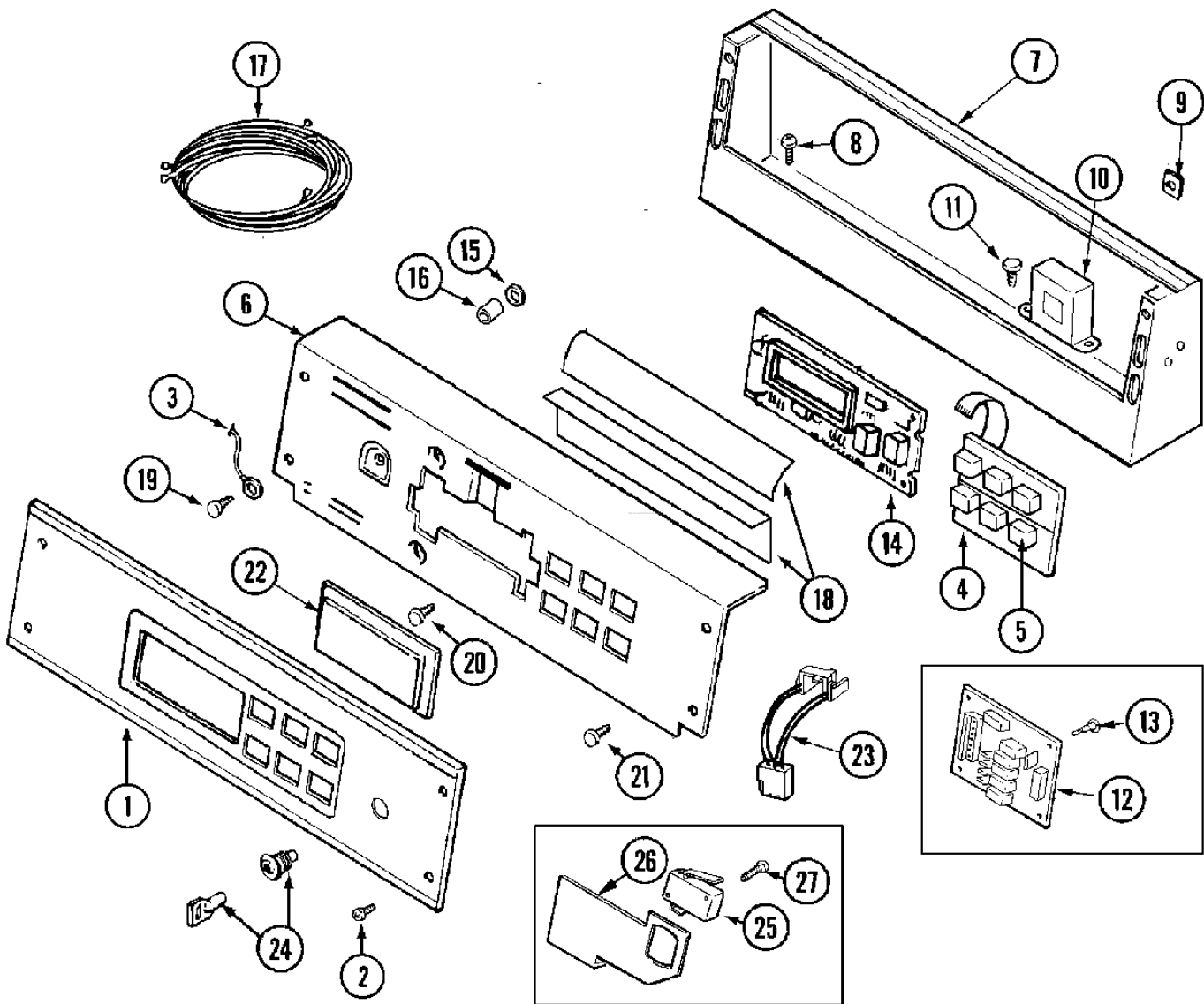
5-Year All Parts Warranty from Date of Installation

D. W. Boyd Corporation
4003 Colley Ave
Norfolk, VA 23508

757-423-2268 Toll Free: 800-295-2693

Fax: 757-423-1868

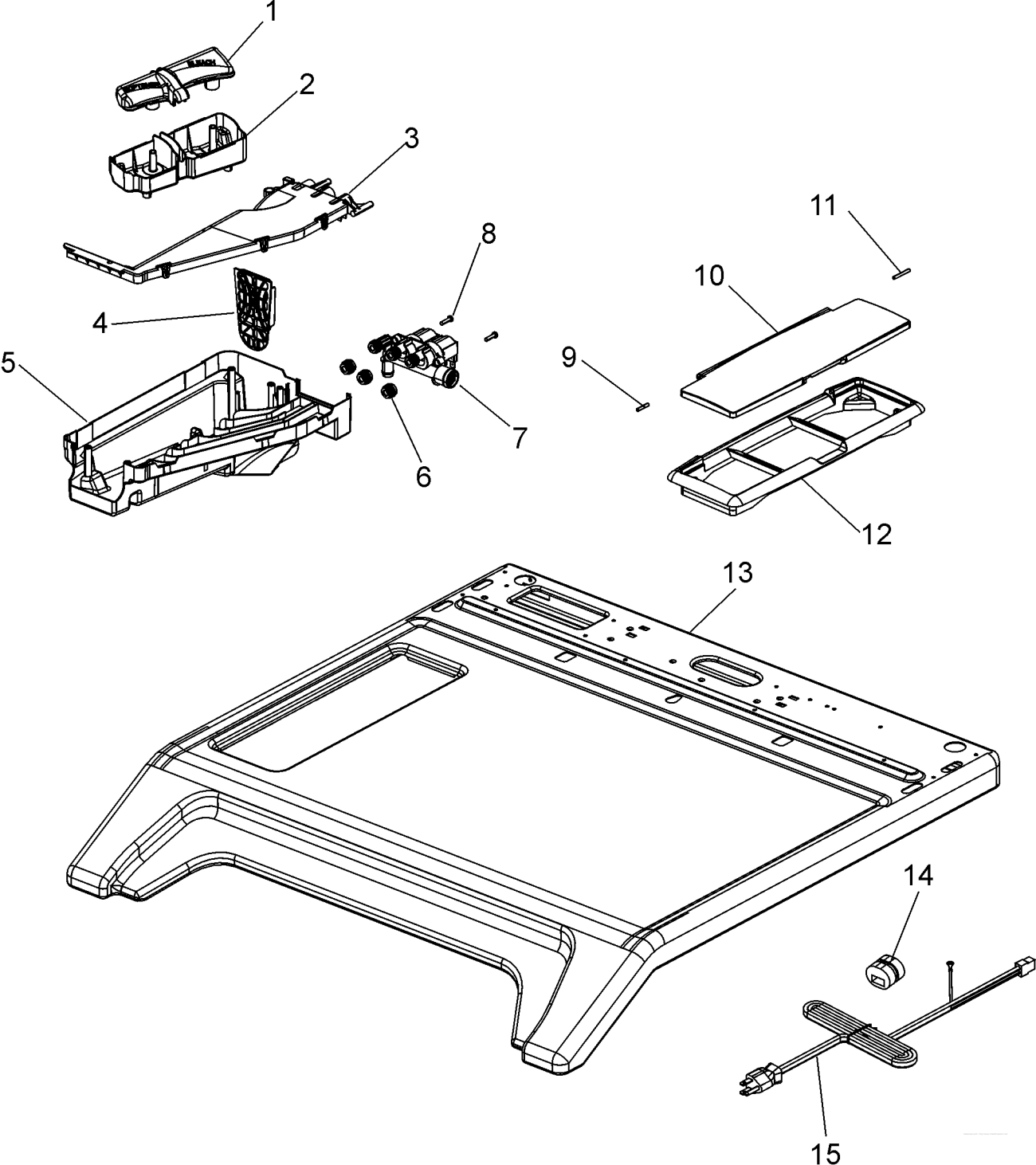
marlo.williams@dwboyd.com



Illustrated Parts Lookup

Parts for MAYTAG-COMMPRO Model "MAH21PNDWW", Image Section "01 - CONTROL PANEL"

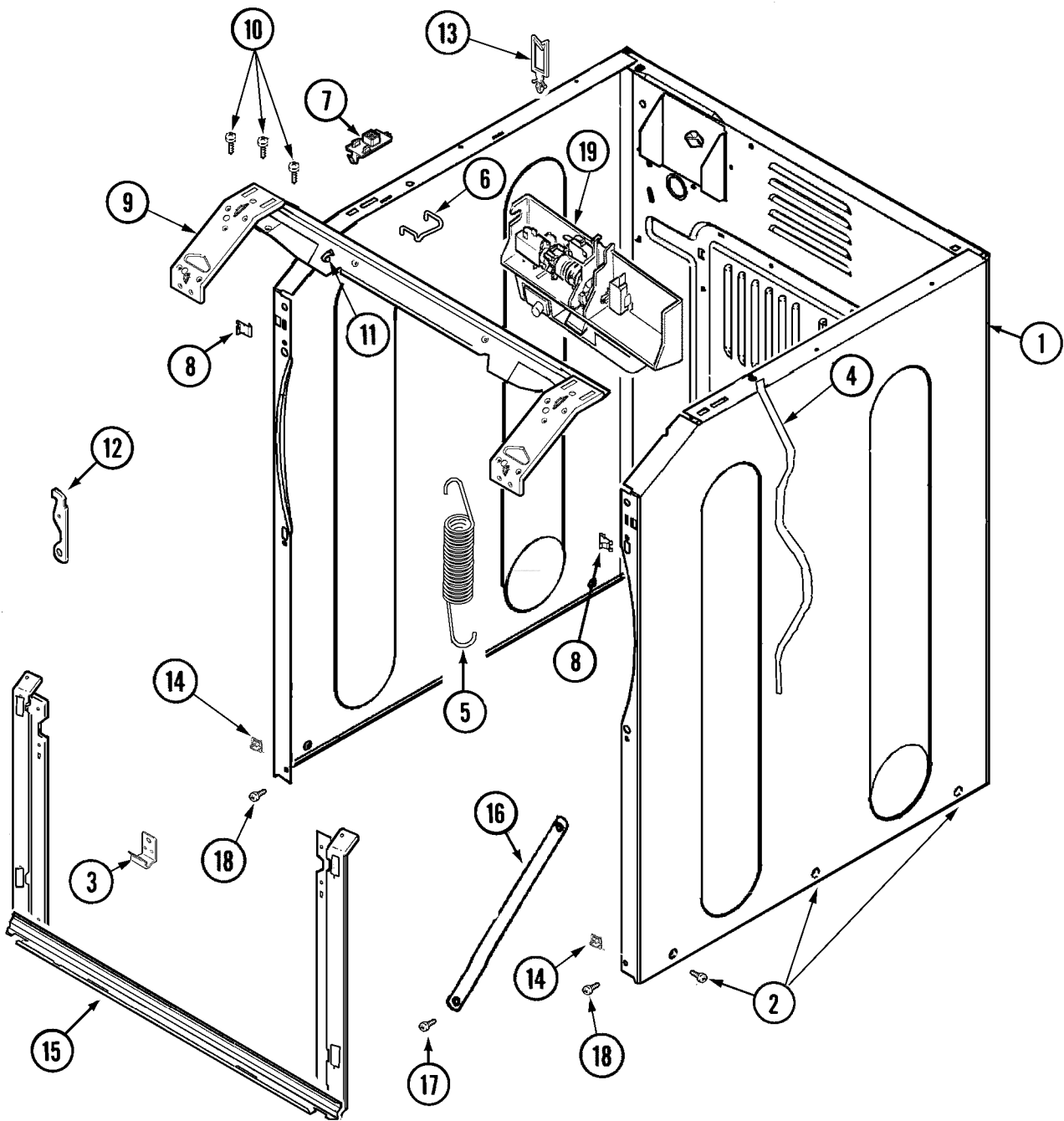
Item	Part Number	Part Description	Alt Part	Series	Qty
1	22004350	Facia - PN (CONTROL PANEL)		10	1
2	215506	SCREW, CONTROL PANEL		10	4
3	205810	WIRE, GROUND		10	1
4	206808	CONTROL SWITCH ASSEMBLY		10	1
	215527	SCREW, CONTROL SWITCH		10	2
5	33002863	PUSHBUTTON, CONTROL SWITCH		10	2
6	22003697	BRACKET, BACK (WHT)		10	1
7	22003101	CONSOLE (WHT)		10	1
8	22002925	SCREW		10	5
9	215003	FASTENER		10	2
10	22001960	TRANSFORMER		10	1
11	22001419	NUT, TRANSFORMER		10	2
	22002925	SCREW		10	2
12	22004171	RELAY BOARD OPL		10	1
13	22002943	STAND-OFF		10	4
14	22003700	CONTROL BOARD		10	1
15	912077	LOCKNUT, CONTROL BOARD		10	6
16	33001204	STANDOFF, CIRCUIT BOARD		10	4
17	22003934	WIRE HARNESS (MAIN)		10	1
	22004052	HARNESS UPPER SUB ASSY		10	1
	2205141	HARNESS, WIRE		22	1
18	22002954	DEFLECTOR, WATER (W/ADHESIVE)		10	1
19	211252	SCREW, GROUND WIRE		10	1
20	215526	SCREW, CIRCUIT BOARD		10	2
21	215527	SCREW, BACK BRACKET		10	2
22	22001962	COVER, DISPLAY		10	1
23	33002090	HARNESS, SERVICE		10	1
24	206081	LOCK		10	1
	213750	LOCKING TAB (CAM)		10	1
25	22002367	SWITCH, SENSOR		10	1
26	33001982	BRACKET, SWITCH MOUNTING		10	1
27	22002368	SCREW, SWITCH		10	1



Illustrated Parts Lookup

Parts for MAYTAG-COMMPRO Model "MAH21PNDWW", Image Section "02 - TOP"

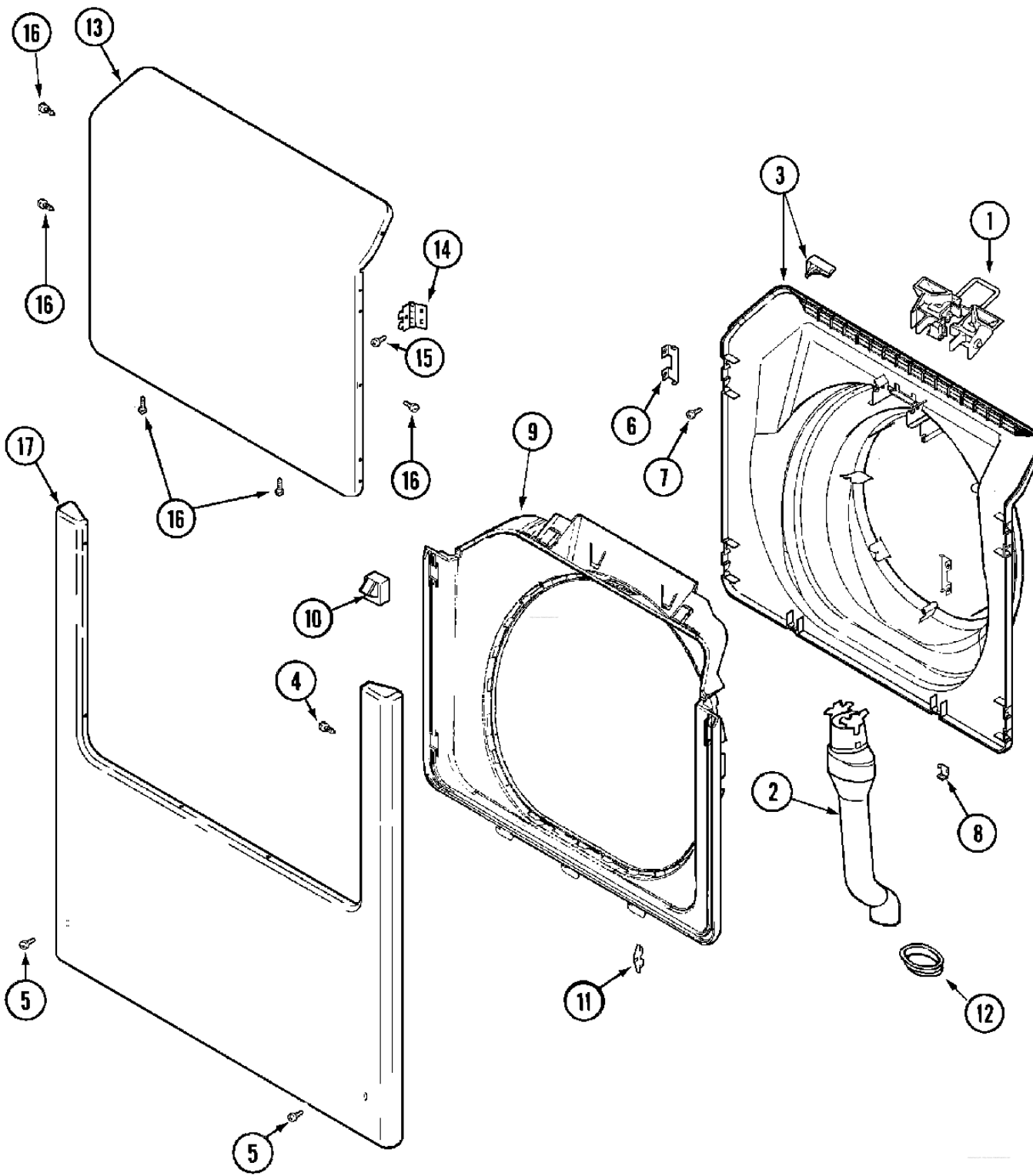
Item	Part Number	Part Description	Alt Part	Series	Qty
1	22003849	SIPHON CAP		10	1
2	22003848	SIPHON CUP		10	1
3	22003845	DISPENSER COVER (FLUME)		10	1
4	22003321	GRID, DISPENSER		10	1
5	22003844	DISPENSER BOTTOM		10	1
6	22003847	VALVE SEAL		10	3
7	22003846	DISPENSER VALVE		10	1
	NLA	DISPENSER ASSEMBLY		10	1
8	22002243	SCREW		10	2
9	912679	PIN, HINGE (SHORT)		10	1
10	22002941	LID, DISPENSER		10	1
11	912678	PIN, HINGE (LONG)		10	1
12	22003665	BEZEL, DISPENSER		10	1
13	22004180	COVER, TOP (WHT-AS PK)		10	1
14	211881	GROMMET, CORD		10	2
15	22003062	CORD, POWER (AS WRAPPED)		10	1



Illustrated Parts Lookup

Parts for MAYTAG-COMMPRO Model "MAH21PNDWW", Image Section "03 - CABINET-FRONT"

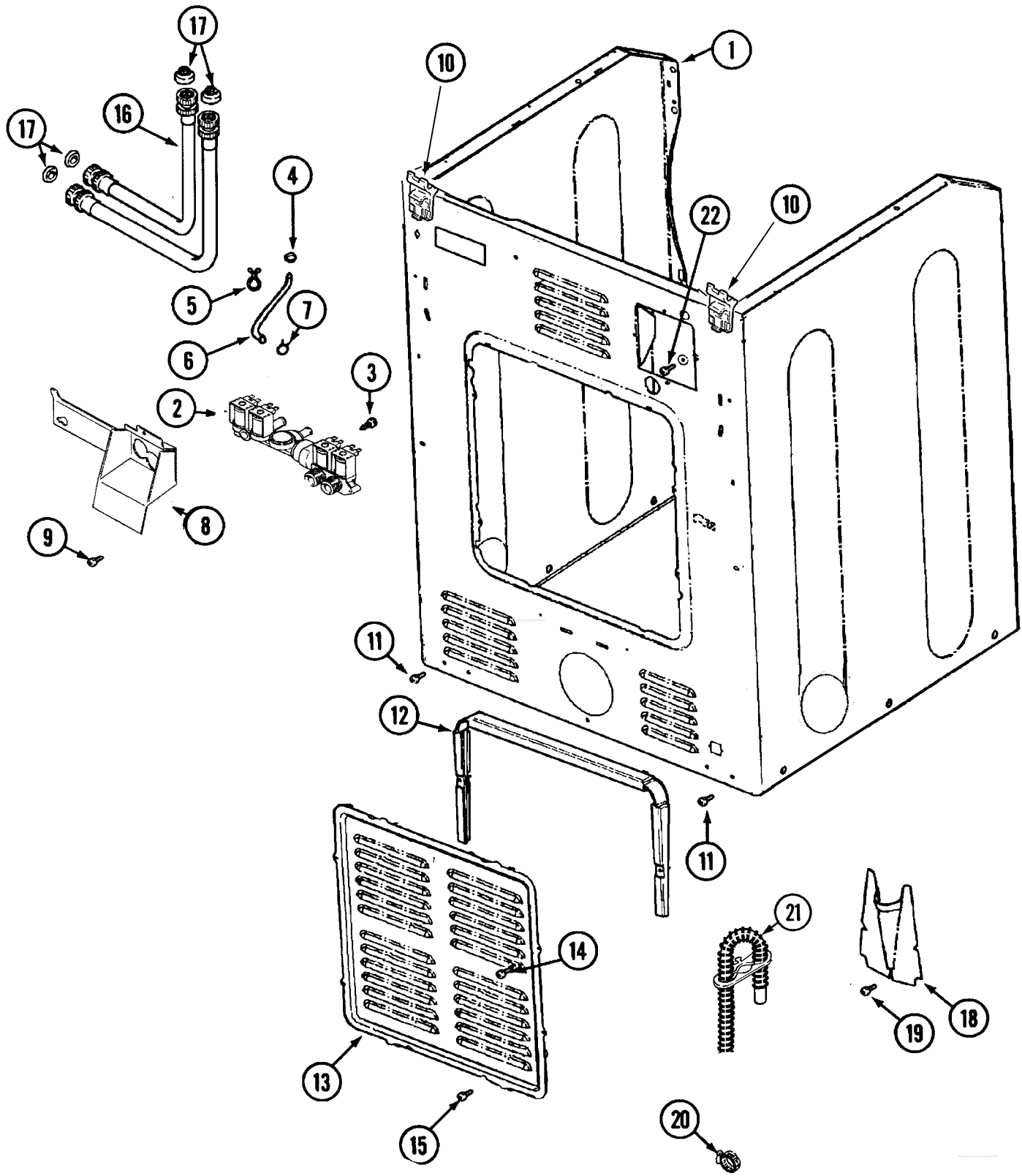
Item	Part Number	Part Description	Alt Part	Series	Qty
1	22003639	CABINET ASSY. (WHT AS PK)		10	1
2	22003409	SCREW		10	2
3	22002239	CLIP, LOWER FRONT PANEL		10	2
4	33001836	STRAP, TOP COVER SUPPORT		10	1
5	22003254	SPRING, CABINET		10	2
6	22002297	SUPPORT, SPRING		10	1
7	22001997	SPACER, TOP COVER		10	2
8	22002049	CLIP		10	2
9	22003637	BRACE ASSEMBLY, TOP CROSS		10	2
10	22001995	SCREW		10	2
11	22002014	CLIP		10	2
12	33002597	HOOK, SECURITY		10	2
13	22003298	RETAINER, WIRE		10	1
14	22002013	STOP, SHIPPING		10	1
15	22003638	SHROUD SUPPORT ASSEMBLY		10	2
16	22002259	BRACE, CROSS		10	2
17	22001995	SCREW		10	4
18	22001995	SCREW		10	2
19	22003706	DOOR LOCK ASSEMBLY, COMMERCIAL		10	1



Illustrated Parts Lookup

Parts for MAYTAG-COMMPRO Model "MAH21PNDWW", Image Section "04 - DOOR & FRONT PANEL"

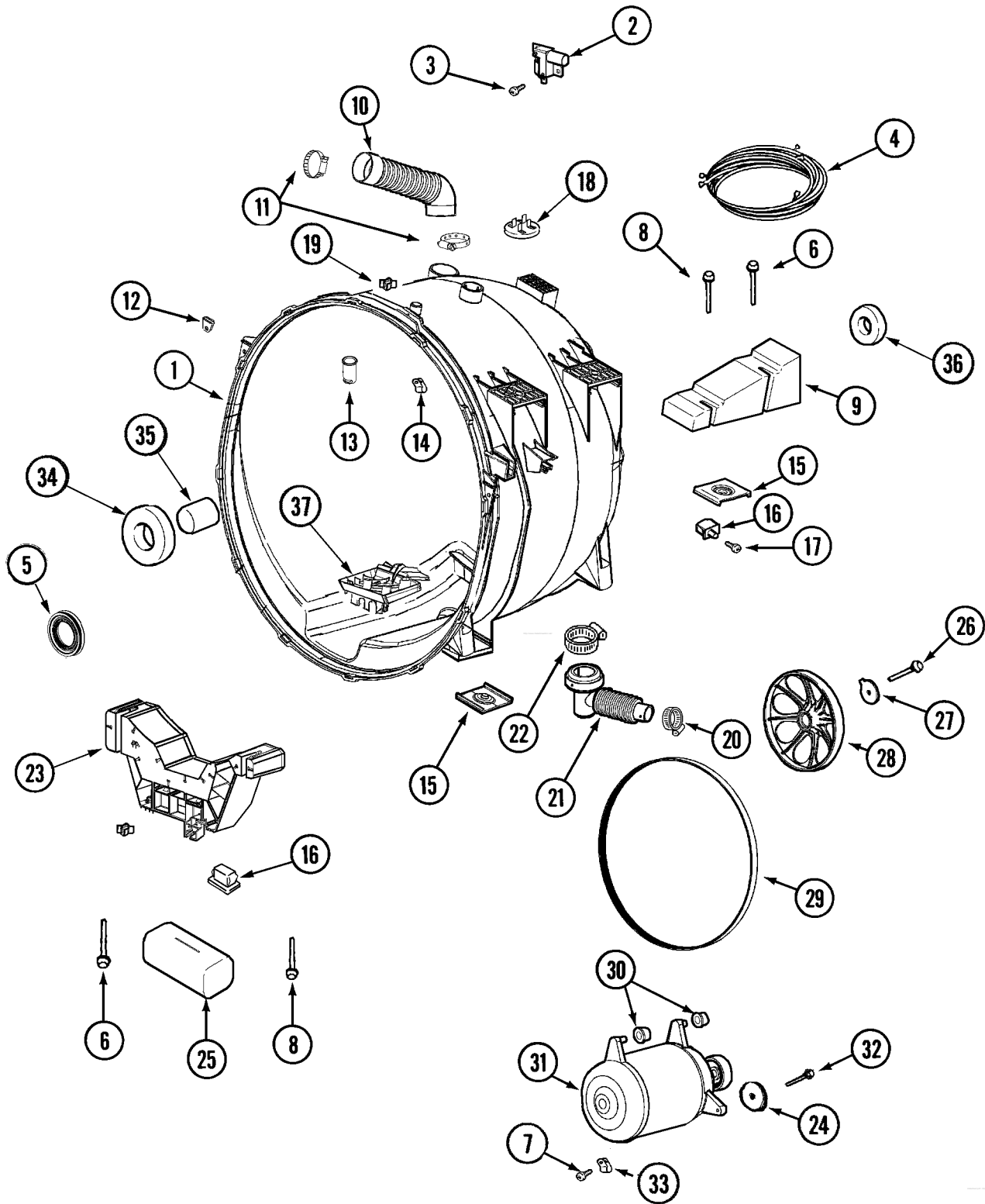
Item	Part Number	Part Description	Alt Part	Series	Qty
1	22003269	DOOR, LOCK HOOP ASSEMBLY		10	1
2	22003850	VENT TUBE ASSEMBLY		10	1
3	22003275	DOOR, INNER (WHT)		10	1
4	22002244	CLIP, GROUNDING		10	1
5	33002190	SCREW (No.10-3/8``)		10	2
6	22002038	CLIP, DOOR (DOUBLE)		10	4
7	22002007	SCREW, STRIKE		10	1
8	22002039	CLIP, DOOR (SINGLE)		10	2
9	22003516	SHROUD (WHT)	22002234	10	1
10	22002241	PANEL, FRONT (WHT)	22002836	10	1
11	33001764	COVER, HINGE HOLE (WHT)		10	2
	33001846	SCREW		10	2
12	22003075	GROMMET, VENT TUBE		10	1
13	22002333	LABEL, OPEN DOOR (WASHER)		10	1
	22003785	DOOR, OUTER (WHT)		10	1
14	22002798	HINGE, DOOR		10	2
15	22002062	SCREW, HINGE		10	4
	22002243	SCREW, FRONT PANEL & HINGE		10	4
	22002244	CLIP, GROUNDING		10	1
16	22002063	SCREW No.8-18AB WAFER HD		10	6



Illustrated Parts Lookup

Parts for MAYTAG-COMMPRO Model "MAH21PNDWW", Image Section "05 - CABINET-REAR"

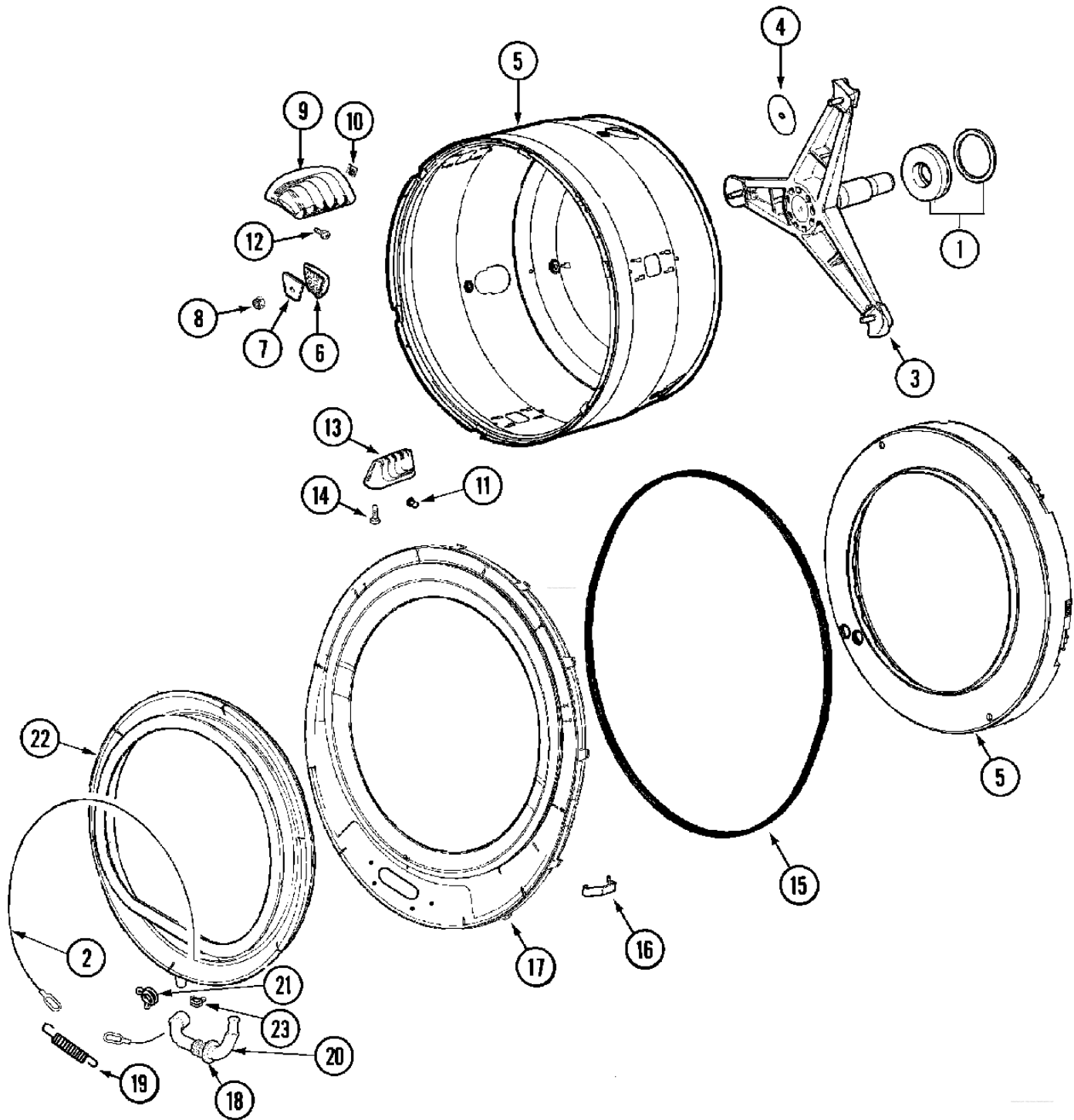
Item	Part Number	Part Description	Alt Part	Series	Qty
1	22003639	CABINET ASSY. (WHT AS PK)		10	1
2	22004186	VALVE, WATER	22003940	10	1
3	22002925	SCREW, WATER VALVE		10	2
4	22002054	CLAMP, STEPLESS		10	1
5	22003707	CABLE, TIE		10	2
6	22002083	HOSE, INJECTOR		10	1
7	216169	CLAMP,HOSE-INJEC.HOSE TO VALVE		10	1
8	33002212	BRACKET, WATER VALVE		10	1
9	22002436	SCREW		10	1
10	22004095	HINGE, PLASTIC		10	1
11	22001995	SCREW, CABINET		10	2
12	22002022	SPACER, ACCESS PANEL		10	1
13	22002092	PANEL, ACCESS		10	1
	22004355	REAR ACCESS PANEL		11	1
14	22002295	SCREW, ACCESS PANEL SPACER		10	2
15	22001996	SCREW		10	2
16	22003597	INLET HOSE ASSY. (HOT)	12001900	10	1
	22003598	INLET HOSE ASSY. (COLD)	12001901	10	1
17	12001413	STRAINER & WASHER KIT		10	1
18	22002704	COVER, DRAIN HOSE		10	1
19	22001995	SCREW		10	2
20	22001984	CLAMP, DRAIN HOSE		10	2
21	12001659	DRAIN HOSE REPLACEMENT(NEPTUN)		10	1
	22002892	RETAINER, DRAIN HOSE		10	1
22	33001245	SCREW		10	1



Illustrated Parts Lookup

Parts for MAYTAG-COMMPRO Model "MAH21PNDWW", Image Section "06 - OUTER TUB & MOTOR"

Item	Part Number	Part Description	Alt Part	Series	Qty
1	22002061	SCREW		10	1
	22004465	OUTER TUB ASSY, AS PACK		10	1
2	22003302	SWITCH, INTERNAL UNBALANCE		10	1
3	22002061	SCREW		18	1
	912615	SCREW, INERTIAL SWITCH	33002917	10	2
4	22004052	HARNESS UPPER SUB ASSY		10	1
5	12002022	LIP SEAL KIT		10	1
6	22003615	BOLT, DOUBLE SEMS 5-3/8		10	2
	33002973	SCREW, No.9-15 X 1.00 HX WS		20	2
7	22002019	SCREW		10	1
8	22003616	BOLT, DOUBLE SEMS 3-3/8		10	1
	33002973	SCREW, No.9-15 X 1.00 HX WS		20	2
9	22002102	WEIGHT, COUNTER BALANCE		10	1
10	22002083	HOSE, INJECTOR		10	1
11	22003627	CLAMP, STEPLESS		10	2
12	22002103	CLIP, U		10	2
13	22002954	DEFLECTOR, WATER (W/ADHESIVE)		10	1
14	22002006	CLIP, WIRE HARNESS & OUTER TUB		10	6
15	22002065	NUT, COUNTER BALANCE		10	4
16	22002044	SWITCH, TUB DISPLACEMENT		10	2
17	22002061	SCREW, DISPLACEMENT SWITCH		10	2
18	22002061	SCREW		10	1
	22002797	CLIP, WIRE HARNESS		10	1
19	22002006	CLIP, WIRE HARNESS CLIP		10	4
	22002019	SCREW, WIRE HARNESS CLIP		10	1
20	22001984	CLAMP, DRAIN HOSE		10	1
21	22003262	HOSE, TUB TO PUMP		10	1
22	22002053	CLAMP, SUMP HOSE		10	1
23	22003826	LOWER BRACKET	22004472	10	1
	22004472	BRACKET, LOWER		19	1
	33002973	SCREW, No.9-15 X 1.00 HX WS		20	4
24	22002320	WASHER, STRUT		10	1
25	22003827	CUSHION		10	1
26	22002057	SCREW, SPINNER	22003937	10	1
27	22003936	WASHER (1 1/4")		10	1
28	22002315	PULLEY, SPINNER		10	1
29	22002313	BELT, DRIVE	12001788	10	1
30	22003329	ISOLATOR, MOTOR		10	2
31	22003856	MOTOR, VARIABLE SPEED		10	1
32	22003686	BOLT, MOTOR		10	1
33	22002006	CLIP		10	1
34	22002934	BEARING, FRONT		10	1
35	22002935	SPACER, BEARING		10	1
36	22003441	BEARING, REAR		10	1
37	22002059	SCREW, SUMP CAP		10	1
	22003710	SUMP CAP W/ LABYRINTH FEATURE		10	1



Illustrated Parts Lookup

Parts for MAYTAG-COMMPRO Model "MAH21PNDWW", Image Section "07 - SPINNER ASSEMBLY & OUTER TUB COVER"

Item	Part Number	Part Description	Alt Part	Series	Qty
1	12002022	LIP SEAL KIT		10	1
2	22002327	BOOT CABLE CLAMP		10	1
3	22002123	TUBE, MOLYKOTE		10	1
	22004081	SPINNER SUPPORT ASSY AS-PK KIT		10	1
4	22002023	WASHER, PLASTIC		10	3
5	22003549	SPINNER ASSY. (W/BALANCE RING)	22003670	10	1
6	22002482	WASHER, PROFILE		10	3
7	22002020	WASHER, SPINNER SUPPORT		10	3
8	22002122	NUT, SPINNER ATTACHMENT		10	3
9	22001985	BAFFLE, DRIP (REAR)		10	3
10	22002009	GROMMET, BAFFLE (REAR)		10	3
11	22001999	GROMMET, BAFFLE (FRT)		10	3
12	22003556	SCREW, BAFFLE (REAR)		10	6
13	22001986	BAFFLE, DRIP (FRONT)		10	3
14	22002059	SCREW, BAFFLE (FRONT)		10	6
15	22002077	SEAL, TUB COVER		10	1
16	22002050	CLIP, TUB TO COVER		10	12
17	22004264	ASSY., TUB COVER & SEAL		10	1
18	22003074	GUARD, HOSE		10	1
19	22002099	SPRING, TUB		10	1
20	22003071	HOSE, DOOR BOOT DRAIN		10	1
21	22003072	CLAMP, HOSE DOUBLE WIRE		10	1
22	22003893	DOOR BOOT, BLACK		10	1
23	22003073	CLAMP, HOSE DOUBLE WIRE		10	1
24	22003081	PLUG		10	1

*No Image
Available*

<http://www.fishbase.org>

<http://www.fishbase.org>

Illustrated Parts Lookup

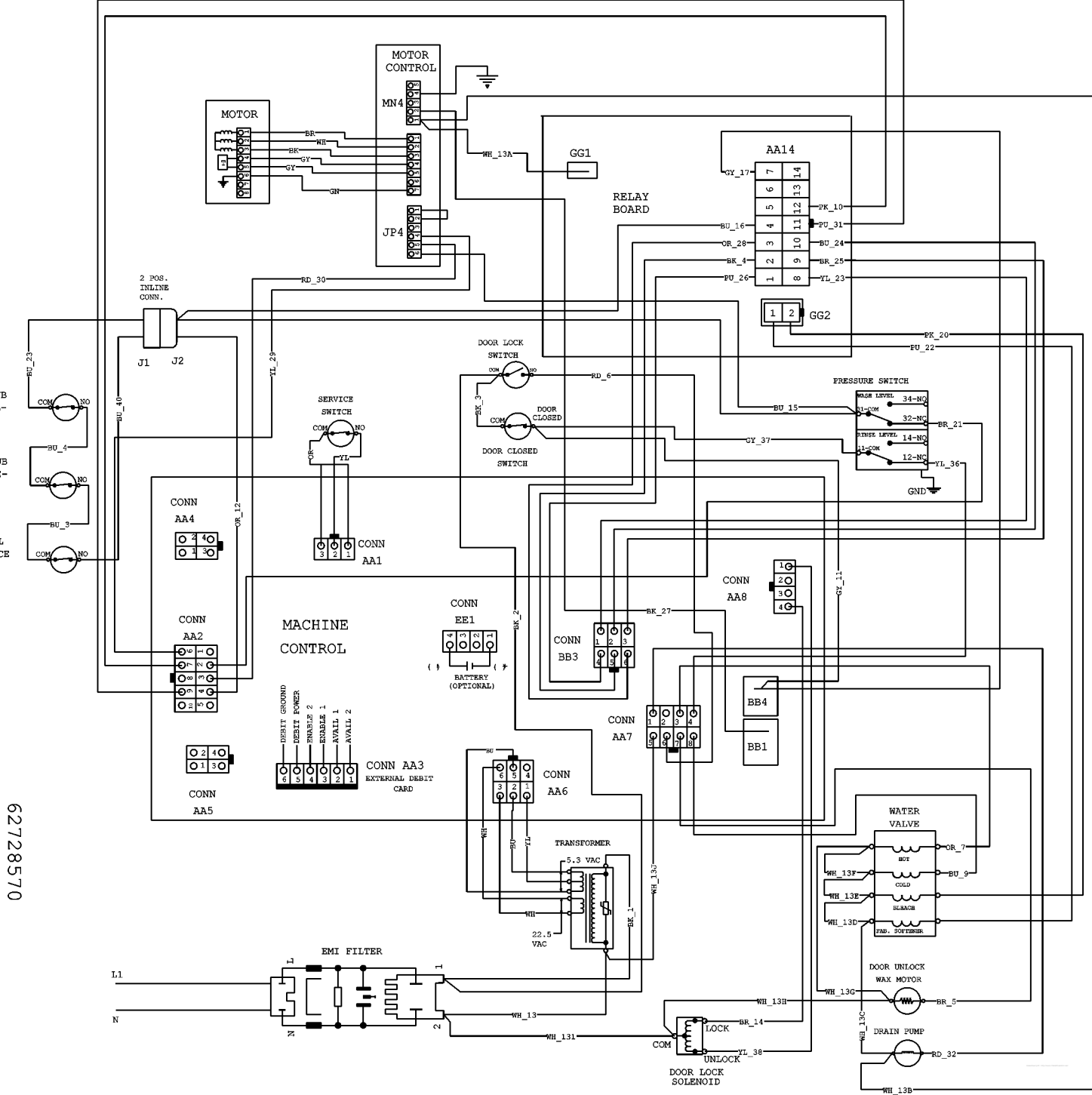
Parts for MAYTAG-COMMPRO Model "MAH21PNDWW", Image Section "08 - BASE & MOTOR CONTROL"

Item	Part Number	Part Description	Alt Part	Series	Qty
1	22003298	RETAINER, WIRE		10	5
	22003926	COMMERCIAL BASE WELD ASSY		10	1
2	315471	RETAINER, WIRE	22003298	10	3
3	212276	SCREW, WIRE HARNESS CLIP		10	1
4	22002014	CLIP, WIRE HARNESS		10	2
5	22002853	CLAMP, HOSE		10	1
	22003244	PUMP		10	1
	22003268	CAP, RUBBER		10	1
6	22003544	ADJUSTABLE LEG W/FOOT & NUT		10	4
7	052740	NUT, LEG		10	4
8	210684	FOOT, RUBBER		10	4
9	22001988	STRUT ASSY-REAR		10	2
10	22004046	CONTROL ASSY., MOTOR		10	1
	22004473	MOTOR CONTROL ASSEMBLY		22	1
11	22004047	HARNESS, MOTOR/MOTOR CONTROL	22004212	10	1
12	212276	SCREW, MOTOR CONTROL BRACKET		10	2
13	210720	RIVET, WIRE HARNESS CLIP		10	1
14	22002173	CLIP, WIRE HARNESS		10	1
15	22003773	SHIELD, MOTOR CONTROL BOARD		10	1
	22003777	MOTOR CONTROL DRIP SHIELD		10	1
16	22003548	BRACKET, MTG. (SR MOTOR CTL)		10	1
17	22003728	SWITCH, PRESSURE		10	1
18	22001984	CLAMP, DRAIN HOSE		10	1
19	22002053	CLAMP, SUMP HOSE		10	1
	22003262	HOSE, TUB TO PUMP		10	1

UPPER TUB
DISPLACE-
MENT
SWITCH

LOWER TUB
DISPLACE-
MENT
SWITCH

INERTIAL
UNBALANCE
SWITCH

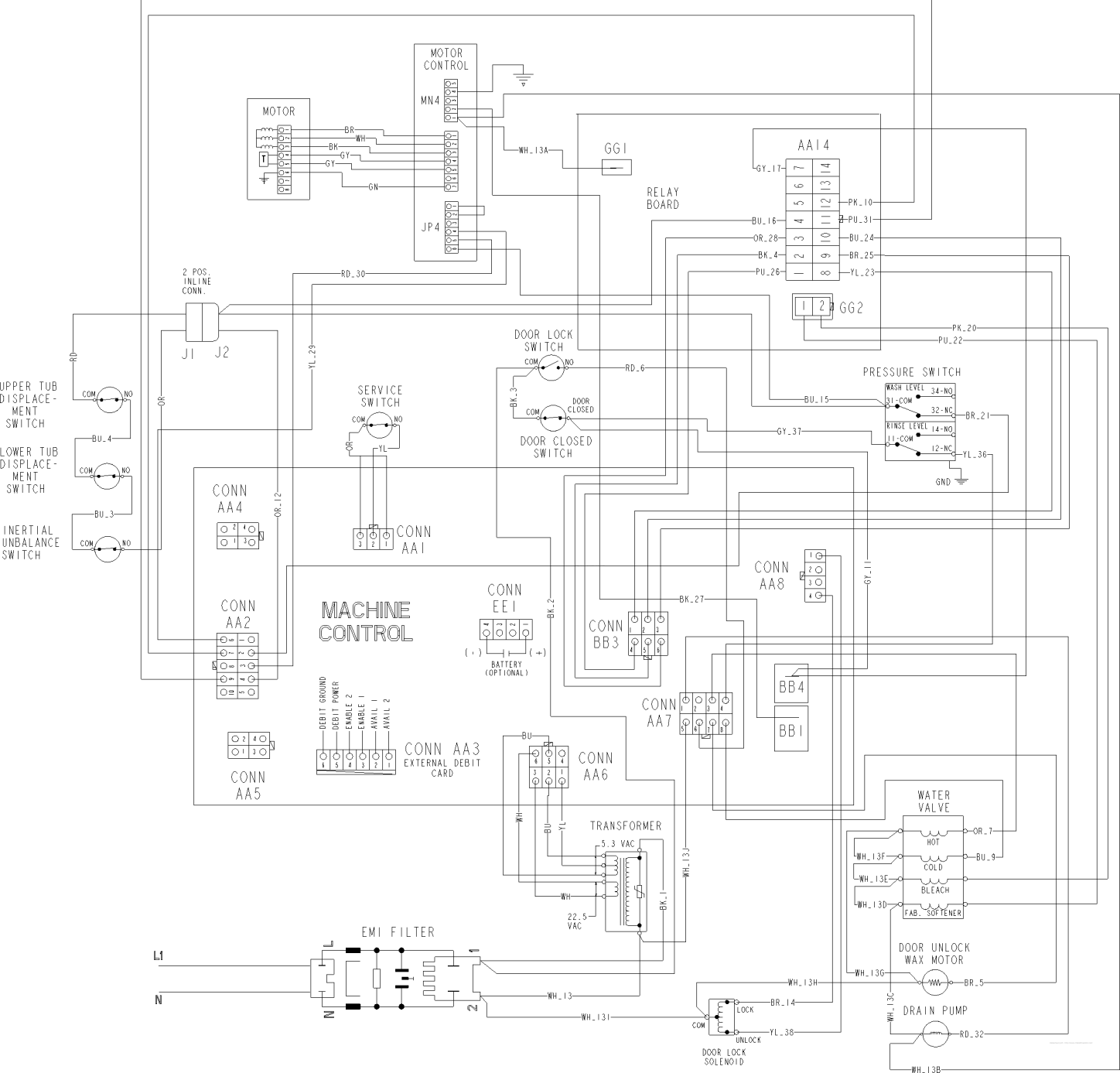


62728570

Illustrated Parts Lookup

Parts for MAYTAG-COMMPRO Model "MAH21PNDWW", Image Section "09 - WIRING INFORMATION"

Item	Part Number	Part Description	Alt Part	Series	Qty
1	NLA	WIRING INFORMATION		10	1



Illustrated Parts Lookup

Parts for MAYTAG-COMMPRO Model "MAH21PNDWW", Image Section "10 - WIRING INFORMATION SER-15"

Item	Part Number	Part Description	Alt Part	Series	Qty
1	NLA	WIRING INFORMATION		15	1