

## KILOVAC MAP201 Series Contactor with 2 Form A (SPST-NO) Contacts Rated up to 350 Amps, 12-900 Vdc Dual Contact Material (Cu/Mo)

### Product Facts

- Designed to be the smallest, lightest weight, lowest cost sealed contactor in the industry with its current rating for military aerospace
- Built-in coil economizer (models requiring external economizer also available)
- Optional auxiliary contact for easy monitoring of power contact position
- Hermetically sealed — intrinsically safe, operates in explosive/harsh environments with no oxidation or contamination of coil or contacts, including long periods of non-operation
- Versatile coil and power connections
- RoHS versions available



### Physical Data

#### Contact Arrangement —

Power Contacts —  
SPST-NO (form X)  
2X Auxiliary Contacts 1 —  
SPST-NO (form A)

Dimensions — See drawing

Weight, Nominal — 0.45 Kg (0.99 lb)

### Environmental Data

Shock, 11ms 1/2 Sine  
(Operating) — 20 G<sub>peak</sub>

Sine Vibration, 20 G<sub>peak</sub> —  
55-2000 Hz

Random Vibration, 14.06 Grms —  
15 Hz (.002 G<sup>2</sup>/Hz), 100 Hz (.002 G<sup>2</sup>/Hz),  
450 Hz (.12 G<sup>2</sup>/Hz), 900 Hz (.12 G<sup>2</sup>/Hz),  
2000 Hz (.083 G<sup>2</sup>/Hz)

Operating Temperature Range —  
-55°C to +85°C

### Electrical Data

Voltage Rating —  
Main Contacts (max) — 400 Vdc  
Auxiliary Contacts — 30 Vdc

Current Rating, Continuous —  
Main Contacts 2 — 300 A  
Auxiliary Contacts — 3 A

Contact Resistance —  
Main Contacts 3 —  
100 mΩ max @ 1 amp  
0.3 mΩ max @ rated current  
Auxiliary Contacts —  
200 mΩ max

### Hot Switching Performance (Polarity Sensitive) —

600A make/ 265A break @ ± 270Vdc —  
11,000 cycles  
550A make/ break @ ± 360Vdc —  
100 cycles  
2000A capacitive make — 100 cycles  
2000A make/ break @ +360Vdc —  
5 cycles  
1000A make/ break @ -360Vdc —  
2 cycles

Mechanical Life — 1 million cycles

Dielectric Withstand Voltage —  
Terminal to Terminal/ Terminals to Coil —  
1mA max @ 2,200Vrms

### Coil Data

Coil Voltage, Nominal/ Max —  
28/ 32 Vdc

Pick Up (Max) — 16 Vdc

Inrush Current @ 28Vdc (Max) —  
3.5 A

Inrush Time (Max) — 100 ms

Hold Current (Max) — 0.32 A

Drop Out — 4 to 10 Vdc

### Main Contacts —

Operate Time (Max) — 18 ms

Operate Bounce (Max) — 5 ms

Release Time — 18 ms

Auxiliary Contacts Operate/  
Release — Within ± 5 ms of main

### Insulation Resistance —

Terminal to Terminal/ Terminals to Coil —  
100MΩ min @ 500Vdc

### Notes:

1 Two form A available with elec-  
tronic coil economizer, 1 form A  
available with mechanical coil  
economizer

2 Continuous current rating is  
affected by conductors attached.  
Keep terminals below 150°C max  
continuous, 175C for 1 hour max,  
and 200C for 1 minute max.

3 Initial contact resistance may be  
higher than 0.3mΩ, but will drop  
below within 30 minutes maximum

### Ordering Information

#### Typical Part Number ►

MAP201 A R D E A

#### Series: \_\_\_\_\_

MAP201 = 350 Amp, 12-900VDC Contactor

#### Contact Form: \_\_\_\_\_

A = Normally Open

H = Normally Open with Aux. Contacts

#### Coil Voltage: \_\_\_\_\_

R = 28 Vdc, Mechanical Economizer

S = 28 Vdc, Electrical Cut-throat Economizer

#### Coil Wire Length: \_\_\_\_\_

A = 15.3 in (390 mm)

D = Coil connector on relay (requires option "E" or  
"X" in next step).

#### Coil Terminal Connector: \_\_\_\_\_

N = No connector

E = 9-pin subminiature "D" plug mounted on contactor  
housing

X = Special configuration (consult factory)

#### Mounting & Power Terminals: \_\_\_\_\_

A = Bottom Mount & Male M8 x 1.25 Thread Terminals

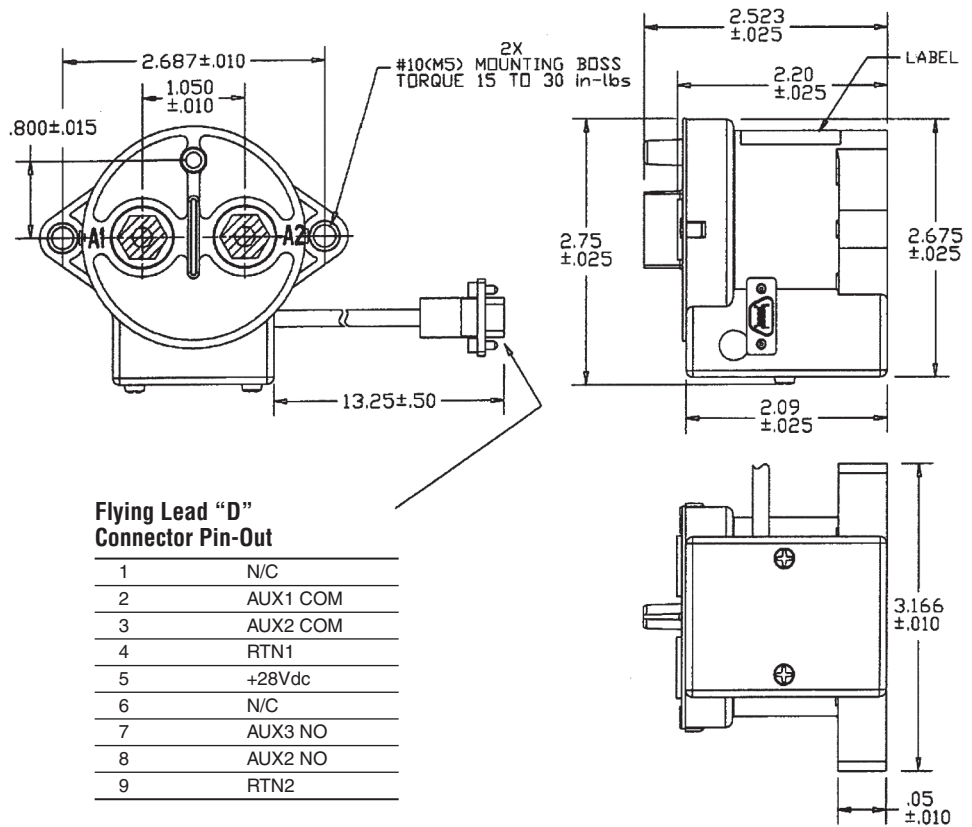
B = Bottom Mount & Female 1/4-20 Thread Terminals

D = Bottom Mount & Female M6 x 1 Thread Terminals

For factory-direct application assistance,  
dial 800-253-4560, ext. 2055, or  
805-220-2055.

**KILOVAC MAP201 Series Contactor** (Continued)

**Outline Dimensions\***



**Flying Lead "D" Connector Pin-Out**

1	N/C
2	AUX1 COM
3	AUX2 COM
4	RTN1
5	+28Vdc
6	N/C
7	AUX3 NO
8	AUX2 NO
9	RTN2

**MAP200HR D-Sub**

**Pin Out**

Coil+ = Pin 2  
 Coil - = Pin 6  
 Aux. COM = Pin 8  
 Aux. NO = Pin 4

**MAP200AR**

Coil+ = Pin 2  
 Coil - = Pin 6

**\*Alternate coil and main terminal connections available, consult factory.**

For factory-direct application assistance, dial 800-253-4560, ext. 2055, or 805-220-2055.