

RF Power Field Effect Transistor LDMOS, 1890 — 1925 MHz, 30W, 26V

10/31/03

Preliminary

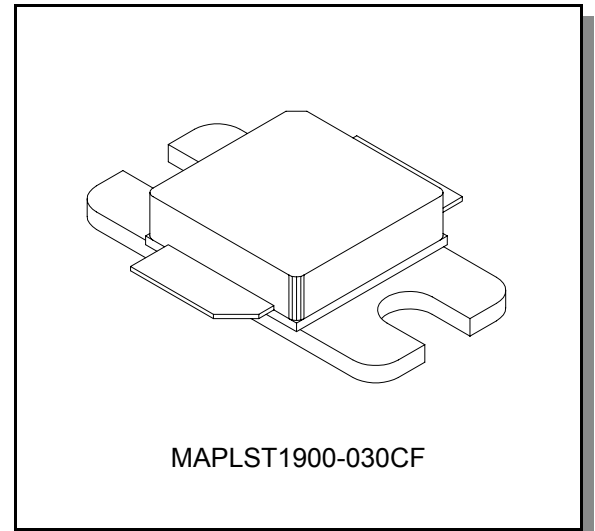
MAPLST1900-030CF

Features

Designed for PHS applications in the 1890-1925 MHz frequency band.

- Typical performance in PHS mode at -68 dBc ACPR (600kHz):
 - Average Output Power: 8W
 - Gain: 13dB (typ.)
 - Efficiency: 26% (typ.)
- 10:1 VSWR Ruggedness at 8W, 26V, 1890MHz)

Package Style



Maximum Ratings

Parameter	Symbol	Rating	Units
Drain—Source Voltage	V_{DS}	65	V_{dc}
Gate—Source Voltage	V_{GS}	20	V_{dc}
Total Power Dissipation @ $T_c = 25\text{ }^\circ\text{C}$	P_D	97	W
Storage Temperature	T_{STG}	-40 to +150	$^\circ\text{C}$
Junction Temperature	T_J	+200	$^\circ\text{C}$

Thermal Characteristics

Characteristic	Symbol	Max	Unit
Thermal Resistance, Junction to Case	$R_{\theta JC}$	1.8	$^\circ\text{C/W}$

NOTE—**CAUTION**—MOS devices are susceptible to damage from electrostatic charge. Precautions in handling and packaging MOS devices should be observed.

Preliminary

Characteristic	Symbol	Min	Typ	Max	Unit
DC CHARACTERISTICS @ 25°C					
Drain-Source Breakdown Voltage ($V_{GS} = 0$ Vdc, $I_D = 20$ μ Adc)	$V_{(BR)DSS}$	65	—	—	Vdc
Zero Gate Voltage Drain Leakage Current ($V_{DS} = 26$ Vdc, $V_{GS} = 0$)	I_{DSS}	—	—	1	μ Adc
Gate—Source Leakage Current ($V_{GS} = 5$ Vdc, $V_{DS} = 0$)	I_{GSS}	—	—	1	μ Adc
Gate Threshold Voltage ($V_{DS} = 10$ Vdc, $I_D = 1$ mA)	$V_{GS(th)}$	2	—	4	Vdc
Gate Quiescent Voltage ($V_{DS} = 26$ Vdc, $I_D = 250$ mA)	$V_{DS(Q)}$	2	—	4.5	Vdc
Drain-Source On-Voltage ($V_{GS} = 10$ Vdc, $I_D = 1$ A)	$V_{DS(on)}$	—	0.2	—	Vdc
Forward Transconductance ($V_{GS} = 10$ Vdc, $I_D = 1$ A)	Gm	—	1.2	—	S
DYNAMIC CHARACTERISTICS @ 25°C					
Input Capacitance (Including Input Matching Capacitor in Package) ($V_{DS} = 26$ Vdc, $V_{GS} = 0$, $f = 1$ MHz)	C_{iss}	—	90	—	pF
Output Capacitance ($V_{DS} = 26$ Vdc, $V_{GS} = 0$, $f = 1$ MHz)	C_{oss}	—	32.5	—	pF
Reverse Transfer Capacitance ($V_{DS} = 26$ Vdc, $V_{GS} = 0$, $f = 1$ MHz)	C_{rss}	—	1.5	—	pF
RF FUNCTIONAL TESTS @ 25°C (In M/A-COM Test Fixture)					
PHS Gain ($V_{DS} = 26$ Vdc, Pi/4 DQPSK, 192 kHz, $P_{OUT} = 8$ W (avg.), $I_{DQ} = 250$ mA, $f_0 = 1920$ MHz)	G_{ps}	—	13.0	—	dB
PHS Drain Efficiency ($V_{DS} = 26$ Vdc, Pi/4 DQPSK, 192 kHz, $P_{OUT} = 8$ W (avg.), $I_{DQ} = 250$ mA, $f_0 = 1920$ MHz)	EFF (η)	—	26	—	%
PHS ACPR @ 600 kHz offset ($V_{DS} = 26$ Vdc, Pi/4 DQPSK, 192 kHz, $P_{OUT} = 8$ W (avg.), $I_{DQ} = 250$ mA, $f_0 = 1905$ MHz)	ACPR	—	-68	—	dBc
PHS ACPR @ 900 kHz offset ($V_{DS} = 26$ Vdc, Pi/4 DQPSK, 192 kHz, $P_{OUT} = 8$ W (avg.), $I_{DQ} = 250$ mA, $f_0 = 1905$ MHz)	ACPR	—	-78	—	dBc
PHS Gain ($V_{DS} = 26$ Vdc, Pi/4 DQPSK, 192 kHz, $P_{OUT} = 8$ W (avg.), $I_{DQ} = 250$ mA, $f_0 = 1890$ MHz)	G_{ps}	—	13.0	—	dB
PHS Drain Efficiency ($V_{DS} = 26$ Vdc, Pi/4 DQPSK, 192 kHz, $P_{OUT} = 8$ W (avg.), $I_{DQ} = 250$ mA, $f_0 = 1890$ MHz)	EFF (η)	—	26	—	%
Input Return Loss ($V_{DS} = 26$ Vdc, Pi/4 DQPSK, 192 kHz, $P_{OUT} = 8$ W (avg.), $I_{DQ} = 250$ mA, $f_0 = 1920$ MHz)	IRL	—	-12	-9	dB
Output VSWR Tolerance ($V_{DS} = 26$ Vdc, Pi/4 DQPSK, 192 kHz, $P_{OUT} = 8$ W (avg.), $I_{DQ} = 250$ mA, $f_0 = 1890$ MHz)	Ψ	No Degradation In Output Power Before and After Test			

Preliminary

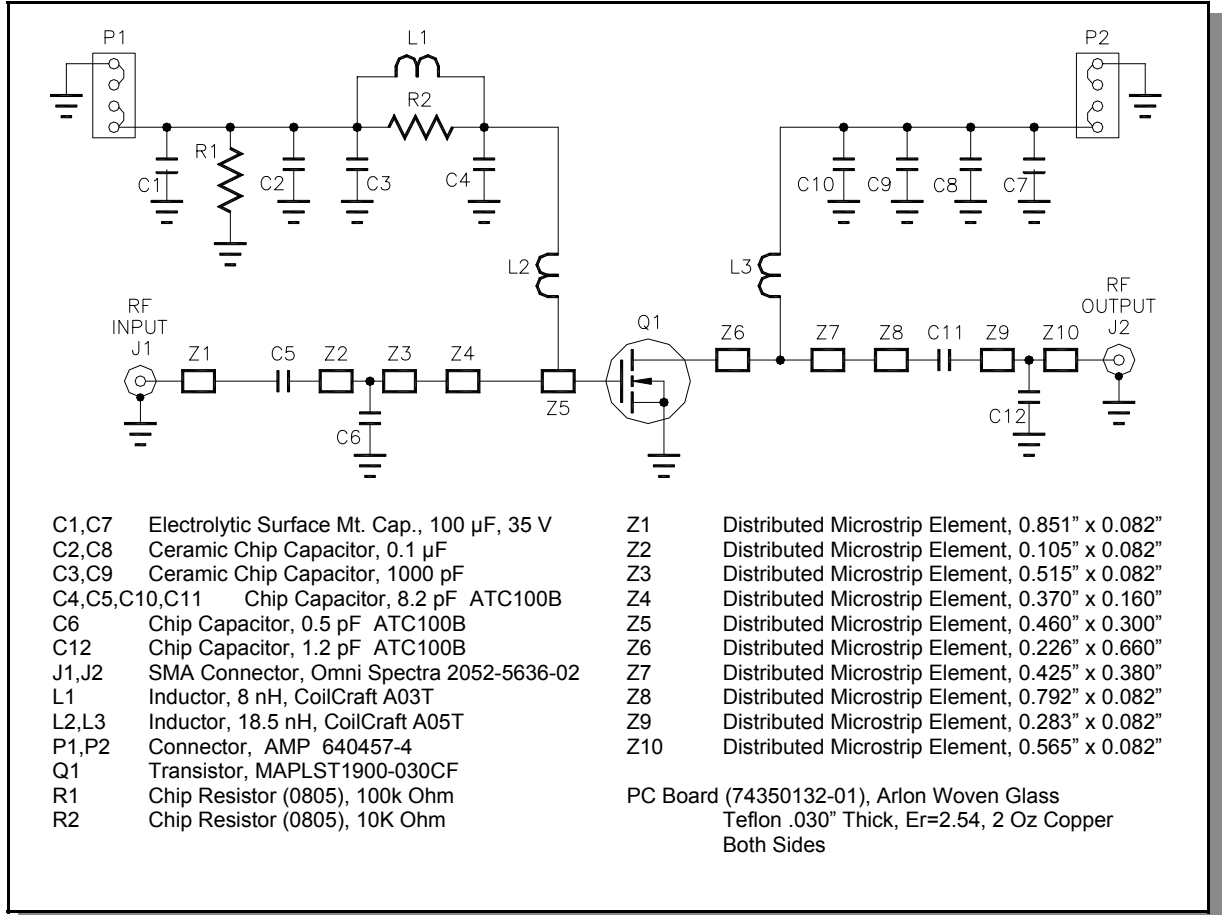


Figure 1. 1890—1925 MHz Test Fixture Schematic

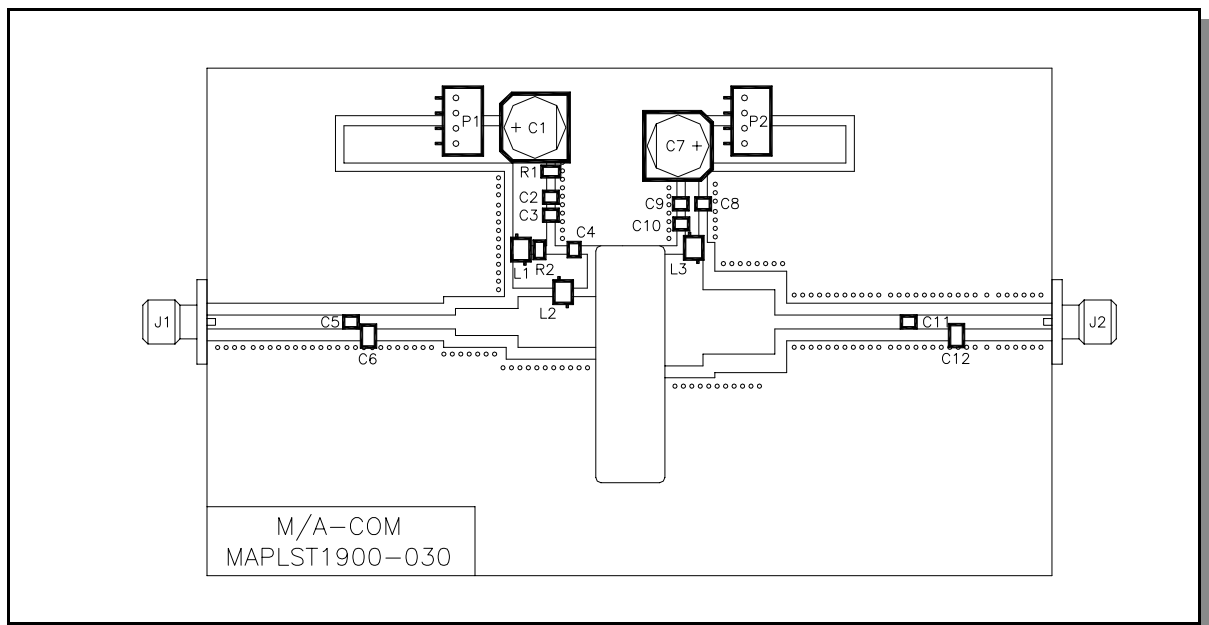
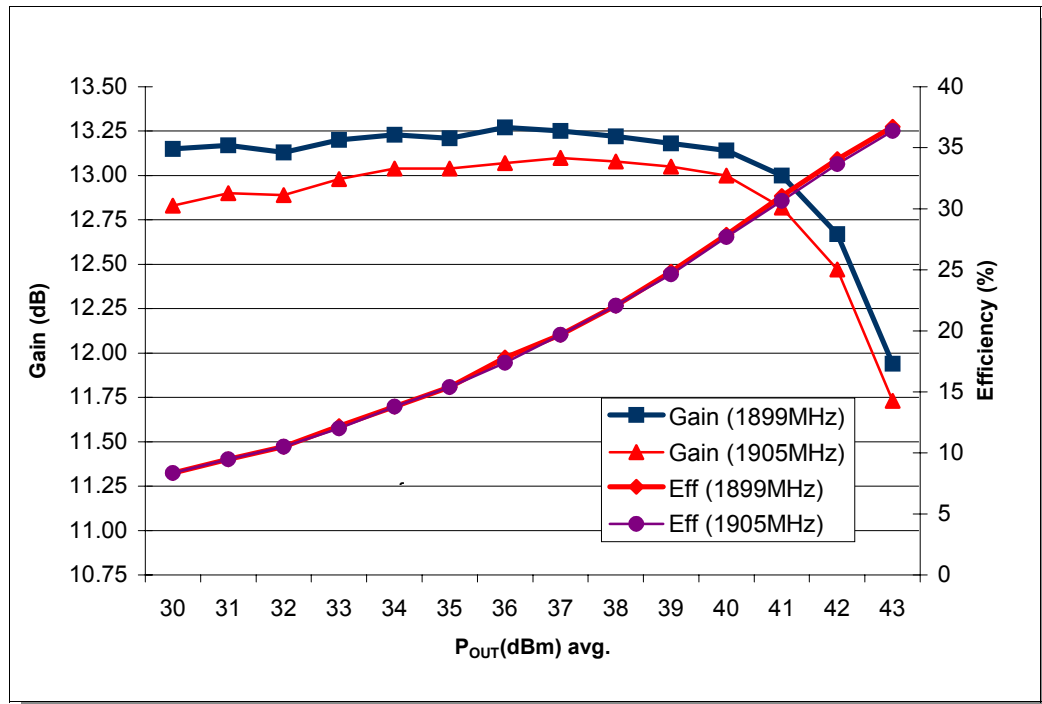
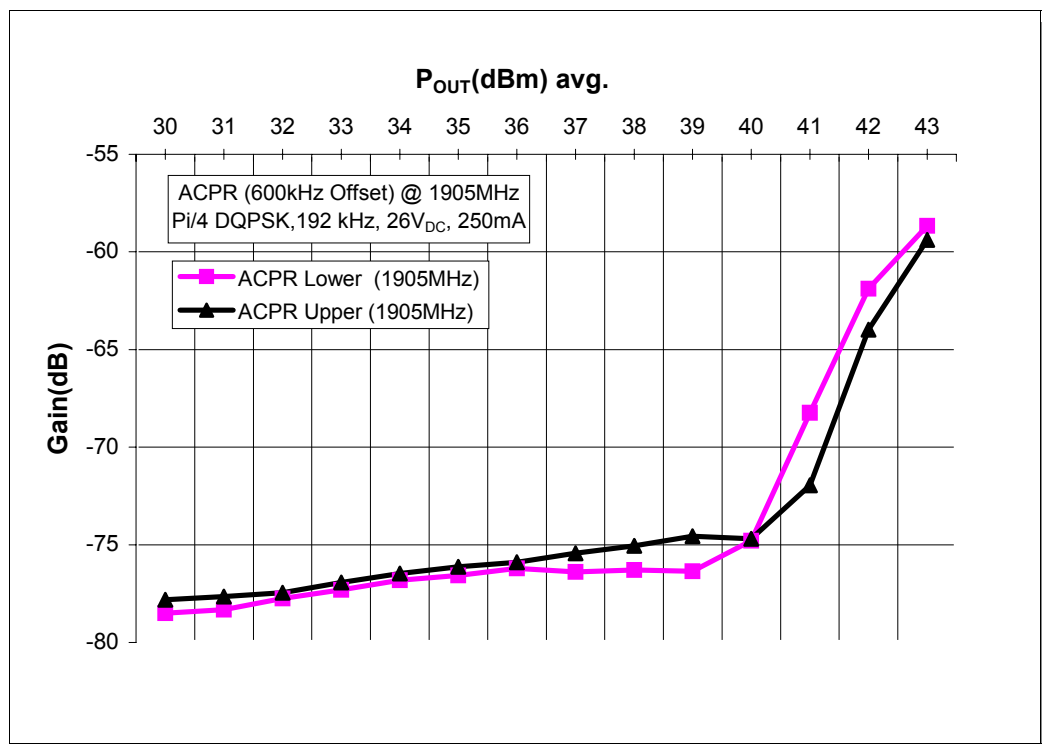


Figure 2. 1890—1925 MHz Test Fixture Component Layout

Preliminary

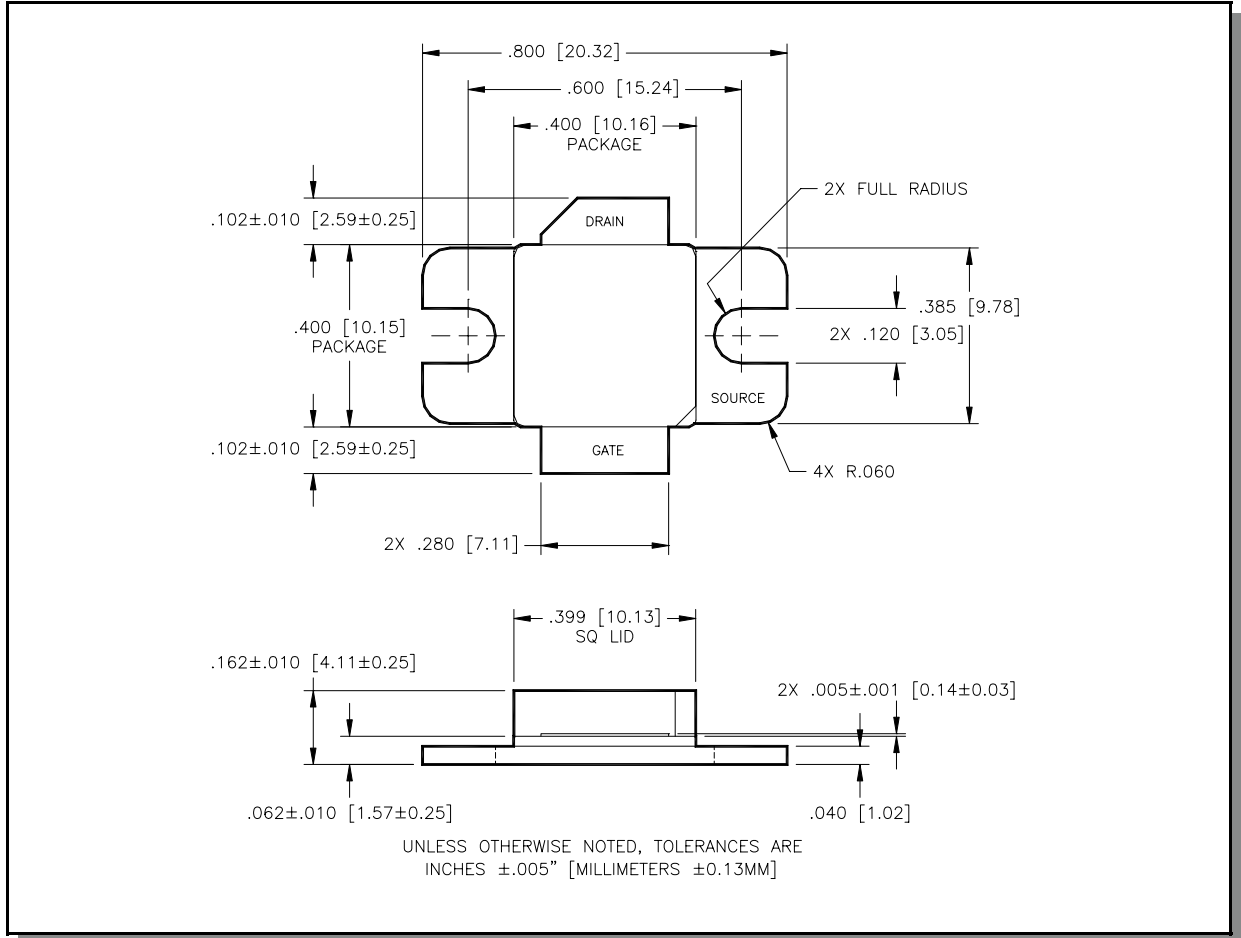


Graph 1. PHS: Power Gain and Drain Efficiency vs. Output Power



Graph 2. PHS: Adjacent Channel Power Ratio vs. Output Power

Package Dimensions



M/A-COM Inc. and its affiliates reserve the right to make changes to the product(s) or information contained herein without notice. M/A-COM makes no warranty, representation or guarantee regarding the suitability of its products for any particular purpose, nor does M/A-COM assume any liability whatsoever arising out of the use or application of any product(s) or information.

Visit www.macom.com for additional data sheets and product information.

- North America: Tel. (800) 366-2266
- Asia/Pacific: Tel.+81-44-844-8296, Fax +81-44-844-8298
- Europe: Tel. +44 (1344) 869 595, Fax+44 (1344) 300 020