

**GaAs Broadband DPDT Diversity Switch  
DC - 6.0 GHz**

MASW-007656  
V1P

**Features**

- 802.11a + b/g Dual Band Applications
- Broadband Performance: DC - 6.0 GHz
- Low Insertion Loss: 0.75 dB @ 2.4 GHz  
1.2 dB @ 5.3 GHz
- High Isolation: 43 dB @ 2.4 GHz  
27 dB @ 5.3 GHz
- Fast Switching Speed: 0.5  $\mu$ m GaAs PHEMT
- Lead-Free 3 mm 12-lead PQFN Package
- 100% Matte Tin Plating over Copper
- Halogen-Free "Green" Mold Compound
- 260°C Reflow Compatible

**Description**

M/A-COM's MASW-007656 is a broadband GaAs PHEMT MMIC diversity switch available in a low cost, lead-free 3 mm 12-lead PQFN package. The MASW-007656 is ideally suited for applications where very small size and low cost are required.

Typical applications are for WLAN IEEE 802.11a and 802.11b/g systems that employ two antennas for transmit and receive diversity. Other applications include cordless phones and base stations. Designed for high power, this DPDT switch maintains high linearity up to 6.0 GHz.

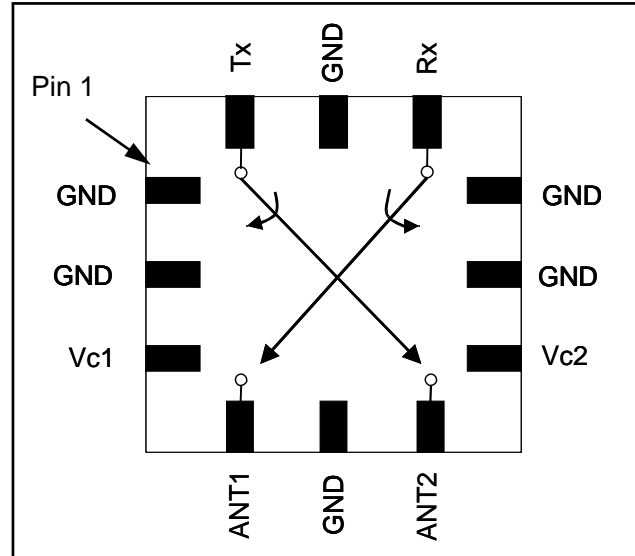
The MASW-007656 is fabricated using a 0.5 micron gate length GaAs PHEMT process. The process features full passivation for performance and reliability.

**Ordering Information <sup>1</sup>**

Part Number	Package
MASW-007656-TR3000	3000 piece reel
MASW-007656-000SMB	Sample Test Board (Includes 5 Samples)

1. Reference Application Note M513 for reel size information.

**Functional Schematic**



**Pin Configuration**

Pin No.	Pin Name	Description
1	GND	Ground
2	GND	Ground
3	V <sub>C1</sub>	Control 1
4	ANT1	Antenna Port 1
5	GND	Ground
6	ANT2	Antenna Port 2
7	V <sub>C2</sub>	Control 2
8	GND	Ground
9	GND	Ground
10	Rx	Receive Port
11	GND	Ground
12	Tx	Transmit Port
13	Paddle <sup>2</sup>	RF and DC Ground

2. The exposed pad centered on the package bottom must be connected to RF and DC ground.

**This PRELIMINARY Data Sheet contains information regarding a product M/A-COM has under development. Performance is based on measured results and target specifications. Commitment to produce in volume is not guaranteed.**

\* Restrictions on Hazardous Substances, European Union Directive 2002/95/EC.

M/A-COM Inc. and its affiliates reserve the right to make changes to the product(s) or information contained herein without notice. M/A-COM makes no warranty, representation or guarantee regarding the suitability of its products for any particular purpose, nor does M/A-COM assume any liability whatsoever arising out of the use or application of any product(s) or information.

• **North America** Tel: 800.366.2266 / Fax: 978.366.2266  
 • **Europe** Tel: 44.1908.574.200 / Fax: 44.1908.574.300  
 • **Asia/Pacific** Tel: 81.44.844.8296 / Fax: 81.44.844.8298

Visit [www.macom.com](http://www.macom.com) for additional data sheets and product information.

**GaAs Broadband DPDT Diversity Switch  
DC - 6.0 GHz**

**MASW-007656  
V1P**

**Electrical Specifications:  $T_A = 25^\circ\text{C}$ ,  $Z_0 = 50\Omega$ ,  $V_c = 0\text{ V} / 3\text{ V}$ , 8 pF Capacitor <sup>3</sup>**

Parameter	Test Conditions	Units	Min.	Typ.	Max.
Insertion Loss <sup>4</sup>	2.4 GHz	dB	—	0.75	—
	2 - 4 GHz	dB	—	0.80	—
	4 - 5 GHz	dB	—	1.00	—
	5.3 GHz	dB	—	1.20	—
Isolation (on/off or off/on)	2.4 GHz	dB	—	43	—
	4.9 - 6 GHz	dB	—	27	—
Isolation (on/on or off/off)	2.4 GHz	dB	—	7	—
	4.9 - 6 GHz	dB	—	12	—
Return Loss	2.4 GHz	dB	—	20	—
	4.9 - 6 GHz	dB	—	10	—
IP2	Two Tone, 15 dBm/Tone, 5 MHz Spacing				
	2.4 GHz	dBm	—	93	—
	5.3 GHz	dBm	—	86	—
	5.8 GHz	dBm	—	84	—
IP3	Two Tone, 15 dBm/Tone, 5 MHz Spacing				
	2.4 GHz	dBm	—	55	—
	5.3 GHz	dBm	—	52	—
	5.8 GHz	dBm	—	51	—
Input P-1dB	2.4 GHz	dBm	—	35	—
	5.3 GHz	dBm	—	31	—
	5.8 GHz	dBm	—	31	—
2 <sup>nd</sup> Harmonic	$P_{IN} = 20\text{ dBm}$				
	2.4 GHz	dBc	—	-76	—
	5.8 GHz	dBc	—	-70	—
3 <sup>rd</sup> Harmonic	$P_{IN} = 20\text{ dBm}$				
	2.4 GHz	dBc	—	-76	—
	5.8 GHz	dBc	—	-77	—
Trise, Tfall	10% to 90% RF	nS	—	80	—
	90% to 10% RF	nS	—	88	—
Ton, Toff	50% control to 90% RF, and 50% control to 10% RF	nS	—	120	—
Transients	—	mV	—	6	—
Control Current	$ V_c  = 3\text{ V}$	$\mu\text{A}$	—	6	—

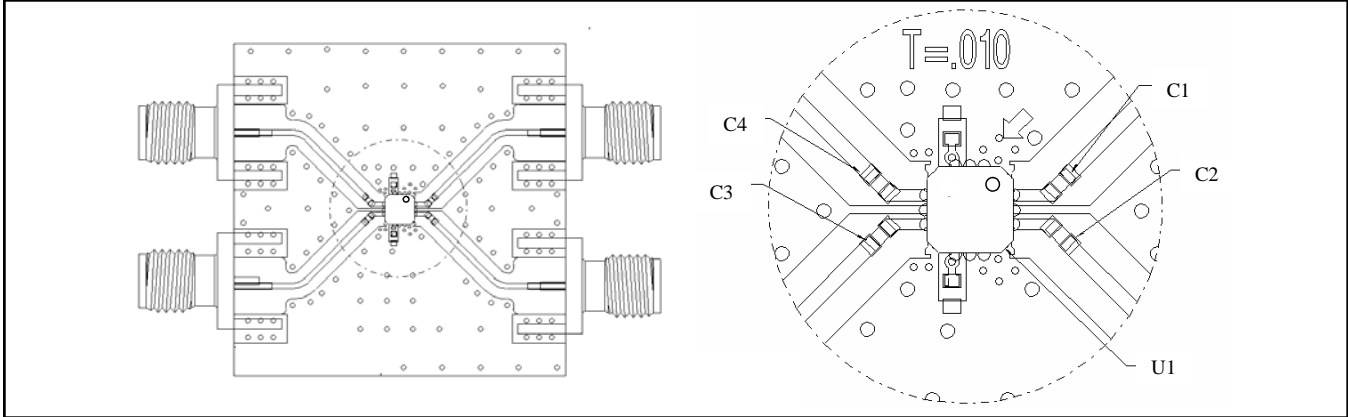
3. For positive voltage control, external DC blocking capacitors are required on all RF ports.

4. Insertion loss can be optimized by varying the DC blocking capacitor value.

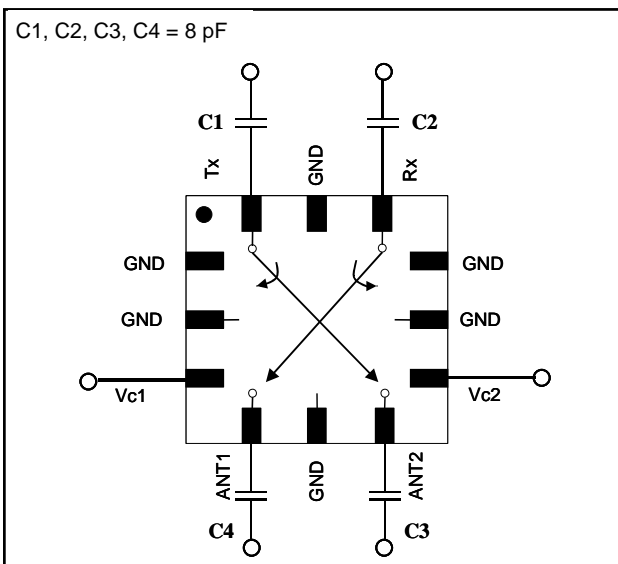
**GaAs Broadband DPDT Diversity Switch  
DC - 6.0 GHz**

MASW-007656  
V1P

**Evaluation Board for Lead-Free 3 mm 12-lead PQFN Package**



**Application Schematic**



**Truth Table <sup>7,8</sup>**

Control V <sub>c1</sub>	Control V <sub>c2</sub>	ANT 1 - Rx	ANT 1 - Tx	ANT 2 - Tx	ANT 2 - Rx
1	0	On	Off	On	Off
0	1	Off	On	Off	On
1	1	Off	Off	Off	Off
0	0	Off	Off	Off	Off

7. 1 = +2.9 V to +5 V, 0 = 0 V ± 0.2 V.

8. Differential voltage, V(state 1) - V(state 0), must be 2.7 V minimum and must not exceed 8.5 V.

**Handling Procedures**

Please observe the following precautions to avoid damage:

**Static Sensitivity**

Gallium Arsenide Integrated Circuits are sensitive to electrostatic discharge (ESD) and can be damaged by static electricity. Proper ESD control techniques should be used when handling these devices.

**Absolute Maximum Ratings <sup>5,6</sup>**

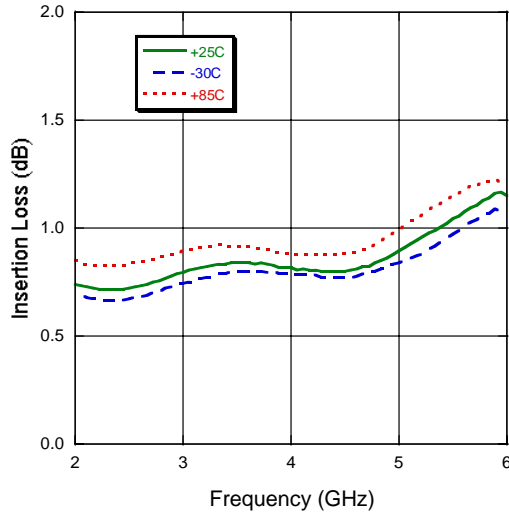
Parameter	Absolute Maximum
Input Power @ 3 V Control	+31 dBm
Input Power @ 5 V Control	+34 dBm
Voltage	± 8.5 volts
Operating Temperature	-40°C to +85°C
Storage Temperature	-65°C to +150°C

5. Exceeding any one or combination of these limits may cause permanent damage to this device.

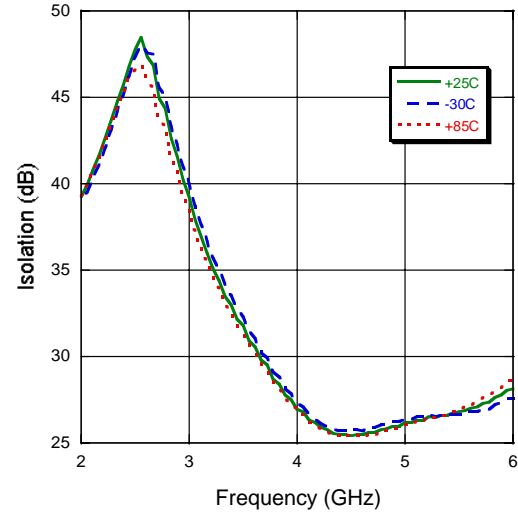
6. M/A-COM does not recommend sustained operation near these survivability limits.

**Typical Performance Curves, 8 pF Blocking Caps**

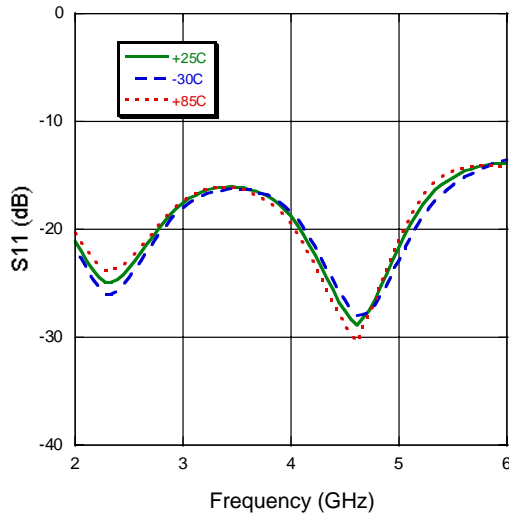
**Insertion Loss**



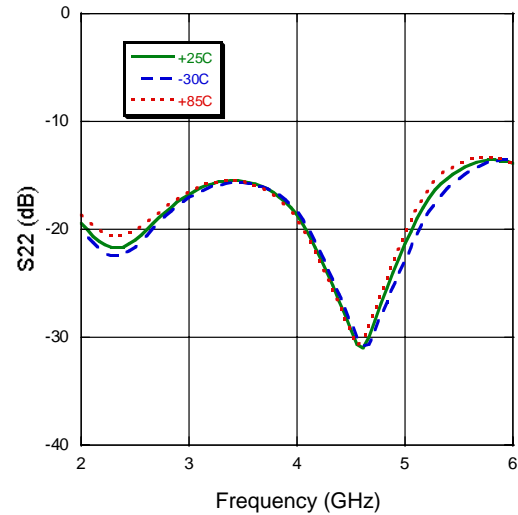
**Isolation**



**Antenna Ports Return Loss**

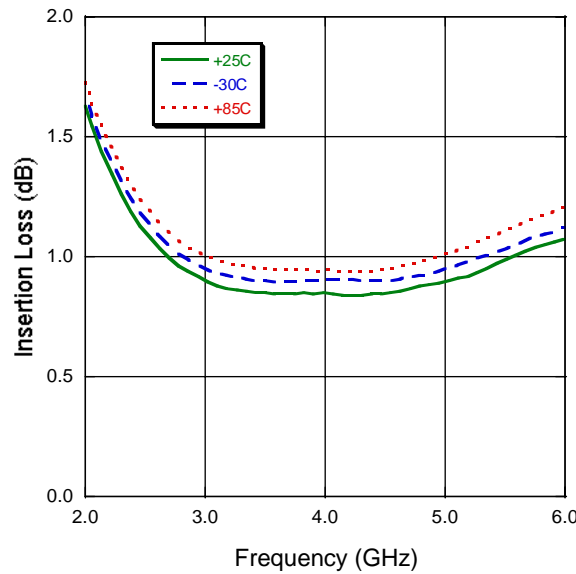


**TX/RX Ports Return Loss**

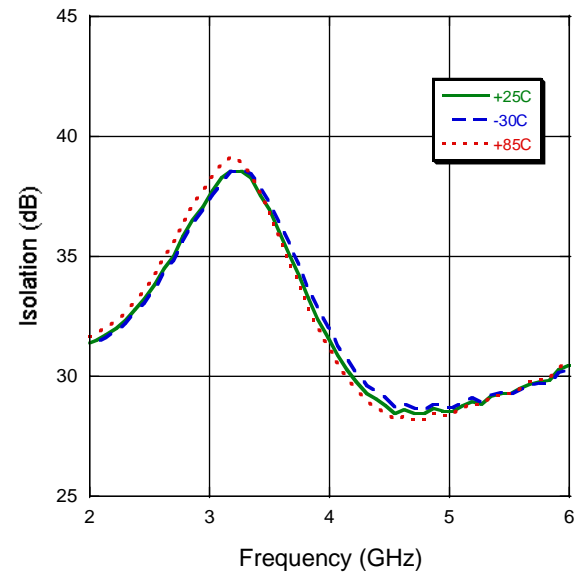


**Typical Performance Curves, 3 pF Blocking Caps**

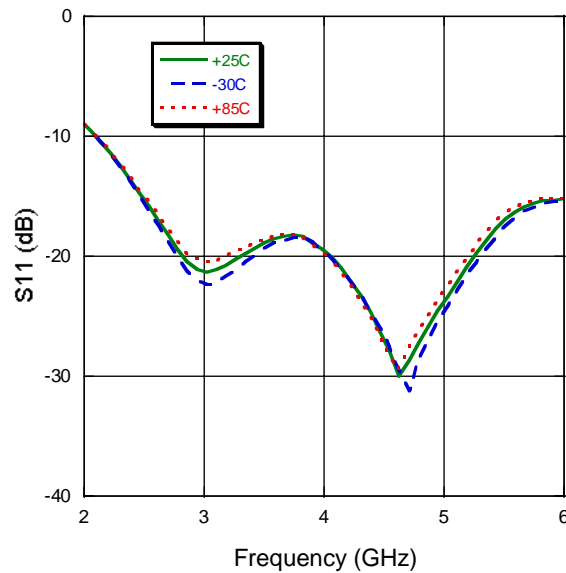
**Insertion Loss**



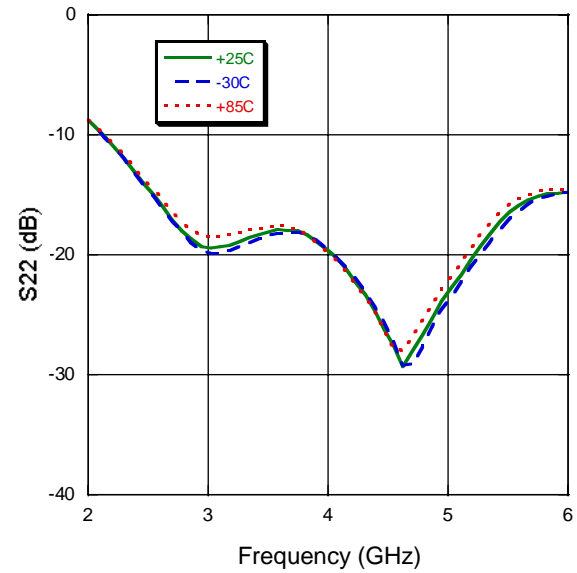
**Isolation**



**Antenna Ports Return Loss**



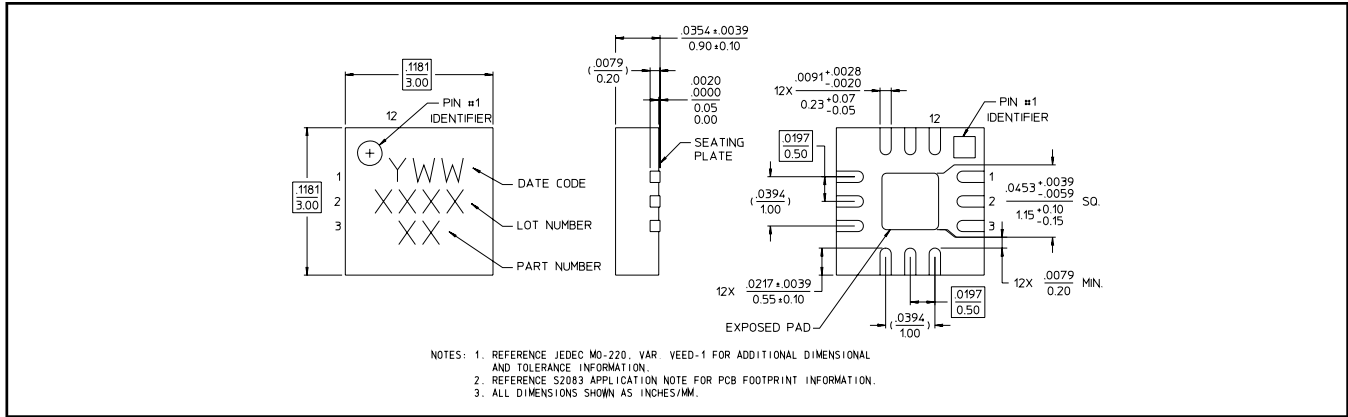
**TX/RX Ports Return Loss**



**GaAs Broadband DPDT Diversity Switch  
DC - 6.0 GHz**

**MASW-007656  
V1P**

**Lead-Free 3 mm 12-Lead PQFN†**



† Reference Application Note M538 for lead-free solder reflow recommendations.