

**GaAs SPST Switch  
DC - 2.5 GHz**

**MASWSS0162  
V3**

**Features**

- Very Low Power Consumption: 50  $\mu$ W
- Low Insertion Loss: 1.0 dB
- High Isolation: 35 dB up to 2 GHz
- Very High Intercept Point: 46 dBm IP3
- Nanosecond Switching Speed
- Temperature Range: -40°C to +85°C
- Lead-Free SOIC-8 Plastic Package
- 100% Matte Tin Plating over Copper
- Halogen-Free “Green” Mold Compound
- 260°C Reflow Compatible
- RoHS\* Compliant Version of SW-259

**Description**

M/A-COM's MASWSS0162 is a GaAs MMIC SPST switch in a lead-free SOIC-8 lead surface mount plastic package. The MASWSS0162 is ideally suited for use where low power consumption is required. Typical applications include transmit/receive switching, switch matrices and switched filter banks in systems such as radio and cellular equipment, PCM, GPS, fiber optic modules, and other battery powered radio equipment.

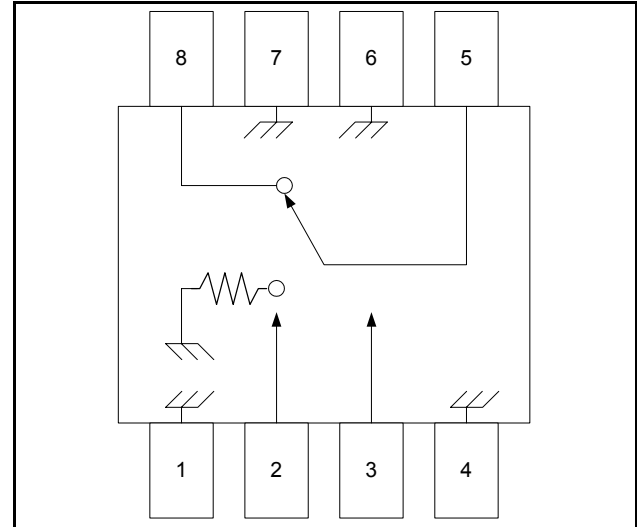
The MASWSS0162 is fabricated using a monolithic GaAs MMIC using a mature 1 micron process. The process features full chip passivation for increased performance and reliability.

**Ordering Information**

Part Number	Package
MASWSS0162	Bulk Packaging
MASWSS0162TR	1000 piece reel

Note: Reference Application Note M513 for reel size information.

**Functional Schematic**



**Pin Configuration**

PIN No.	Description	PIN No.	Description
1	Ground	5	RF Port 2
2	A	6	Ground
3	B	7	Ground
4	Ground	8	RF Port 1

**Absolute Maximum Ratings <sup>1,3</sup>**

Parameter	Absolute Maximum
Input Power <sup>2</sup> 0.05 GHz 0.5 – 2.0 GHz	+27 dBm +34 dBm
Control Voltage	+5 V, -8.5 V
Operating Temperature	-40°C to +85°C
Storage Temperature	-65°C to +150°C

1. Exceeding any one or combination of these limits may cause permanent damage to this device.
2. When the RF Input power is applied to a terminated port, the absolute maximum is +32 dBm.
3. M/A-COM does not recommend sustained operation near these survivability limits.

\* Restrictions on Hazardous Substances, European Union Directive 2002/95/EC.

**GaAs SPST Switch  
DC - 2.5 GHz**

**MASWSS0162  
V3**

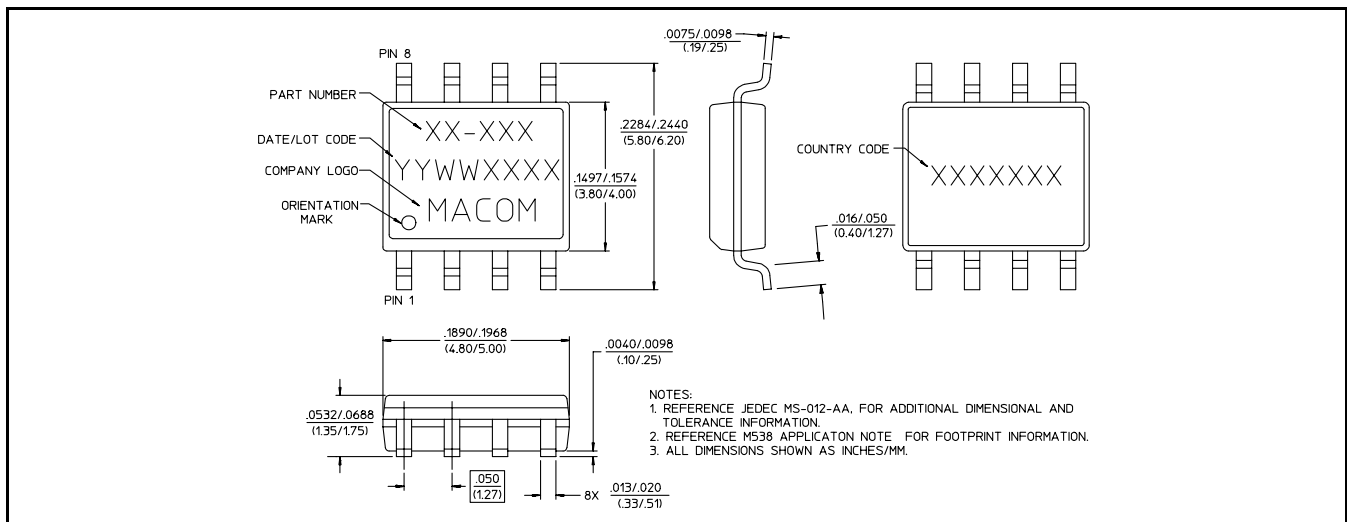
**Electrical Specifications:  $T_A = +25^\circ C^4$ ,  $V_C = -5 V / 0 V$ ,  $P_{IN} = 0 dBm$**

Parameter	Test Conditions	Units	Min	Typ <sup>5</sup>	Max
Insertion Loss <sup>5</sup>	DC - 0.5 GHz	dB	—	0.8	—
	0.5 - 1.0 GHz	dB	—	0.9	1.2
	1.0 - 2.0 GHz	dB	—	1.1	—
Isolation <sup>5</sup>	DC - 0.5 GHz	dB	—	65	—
	0.5 - 1.0 GHz	dB	45	53	—
	1.0 - 2.0 GHz	dB	—	40	—
VSWR On VSWR Off	DC - 2.0 GHz	Ratio	—	1.2:1	—
	DC - 2.0 GHz	Ratio	—	1.2:1	—
1 dB Compression	Input Power	dBm	—	18	—
	0.05 GHz 0.5 - 2.0 GHz	dBm	—	23	—
Trise, Tfall	10% to 90% RF, 90% to 10% RF	nS	—	4	—
Ton, Toff	50% Control to 90% RF, Control to 10% RF	nS	—	8	—
Transients	In-Band	mV	—	35	—
2nd Order Intercept	Measured Relative to Input Power, two-tone up to +5 dBm 0.05 GHz 0.5 - 2.0 GHz	dBm	—	55	—
		dBm	—	68	—
3rd Order Intercept	Measured Relative to Input Power, two-tone up to +5 dBm 0.05 GHz 0.5 - 2.0 GHz	dBm	—	40	—
		dBm	—	46	—
Control Current	—	$\mu A$	—	—	25

4. All measurements with 0, -5 V control voltages at 1.0 GHz in a 50  $\Omega$  system, unless otherwise specified.

5. Typical values listed are based on average of frequency range noted.

**Lead-Free SOIC-8<sup>†</sup>**

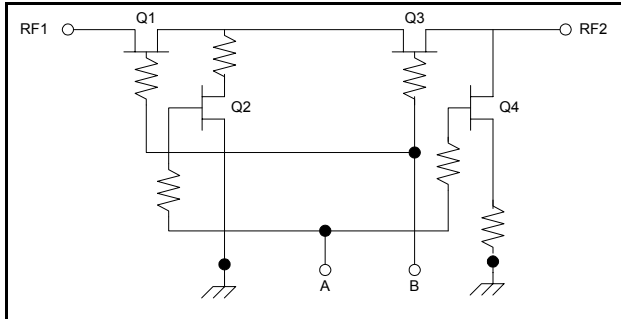


<sup>†</sup> Reference Application Note M538 for lead-free solder reflow recommendations.

**GaAs SPST Switch  
DC - 2.5 GHz**

**MASWSS0162  
V3**

**Electrical Schematic**



**Truth Table <sup>6,7</sup>**

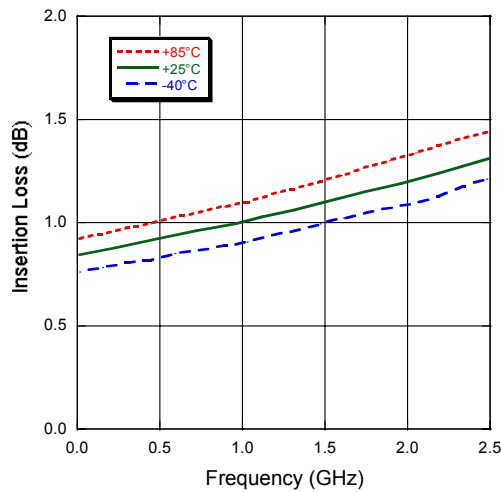
Control Inputs		Condition of Switch
A	B	RF State
1	0	On
0	1	Off

6. "0" = 0 to -0.2 V @ 20  $\mu$ A max.

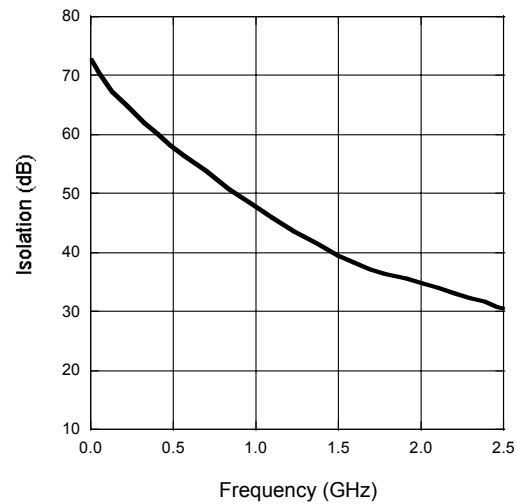
7. "1" = -5 V @ 20  $\mu$ A Typ to -8 V @ 600  $\mu$ A max.

**Typical Performance Curves**

**Insertion Loss**



**Isolation**



**VSWR**

