

### Features

- Integrates Image Reject (Balanced) Mixer, LO Buffer, LO Doubler, and RF Buffer
- 11 dB Conversion Gain
- 30 dBm Output Third Order Intercept (OIP3)
- -15 dBm (2×) LO Leakage (@ RF Port)
- Variable Gain with Adjustable Bias
- Lead-Free 6 mm Laminate Package
- RoHS\* Compliant and 260°C Reflow Compatible

### Description

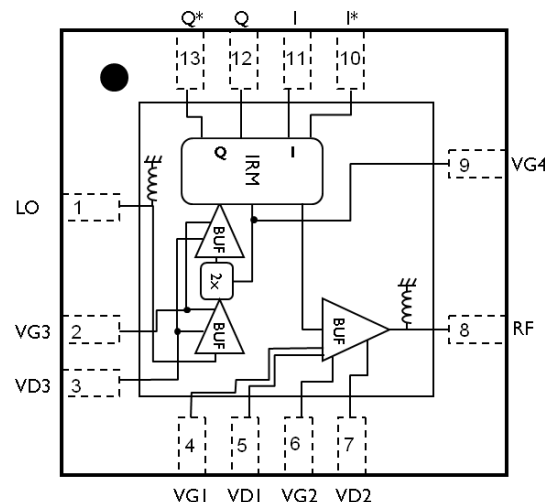
The MAUC-010515 is an integrated USB up-converter that has a typical conversion gain of 11 dB, and an image rejection of greater than 15 dBc. The device includes a LO doubler and buffer, and can be tuned to give 2×LO leakage of less than -15 dBm. Variable gain can be achieved by adjusting the bias, with turn-down trajectories optimized to maintain linearity and 2×LO leakage over the gain control range. At full gain, an OIP3 of 30 dBm is typical. It is ideally suited for 42 GHz band point-to-point radios.

Each device is 100% RF tested to ensure performance compliance. The part is fabricated using an efficient pHEMT process.

### Ordering Information

Part Number	Package
MAUC-010515-000000	Bulk Quantity
MAUC-010515-TR0200	200 Piece Reel
MAUC-010515-TR0500	500 Piece Reel
MAUC-010515-001SMB	Sample Evaluation Board

### Functional Schematic



### Pin Configuration <sup>1</sup>

Pin No.	Function
1	LO
2	V <sub>G3</sub>
3	V <sub>D3</sub>
4	V <sub>G1</sub>
5	V <sub>D1</sub>
6	V <sub>G2</sub>
7	V <sub>D2</sub>
8	RF
9	V <sub>G4</sub>
10	I* Input
11	I Input
12	Q Input
13	Q* Input

1. The exposed pad centered on the package bottom must be connected to RF, DC and thermal ground.

\* Restrictions on Hazardous Substances, European Union Directive 2011/65/EU.

## Up Converter 40.5 - 43.5 GHz

Rev. V5

**Electrical Specifications: RF Freq: 40.5 - 43.5 GHz, LO = 0 dBm, IF = -10 dBm,  
V<sub>D</sub> = 4 V, I<sub>D1</sub> = I<sub>D2</sub> = 90 mA, I<sub>D3</sub> = 120 mA, T<sub>A</sub> = 25°C**

Parameter	Units	Min.	Typ.	Max.
Frequency Range (LO) <sup>2</sup>	GHz	18.5	-	21.75
Frequency Range (IF)	GHz	DC	-	3.5
LO Input Power (P <sub>lo</sub> )	dBm	0	-	8
Conversion Gain	dB	8	11	16
Image Rejection	dBc	-	22	-
Output IP3	dBm	25	30	-
Spurious (2xLO) [tuned]	dBm	-	-40	-
Spurious (1xLO)	dBm	-	-57	-
Noise Figure	dB	-	19	-
Input Return Loss (IF port)	dB	-	12	-
Output Return Loss (RF Port)	dB	-	8	-
LO Return Loss	dB	-	15	-
Current <sup>3</sup> (I <sub>D1</sub> + I <sub>D2</sub> + I <sub>D3</sub> )	mA	-	300	400
Gate Voltage (V <sub>G4</sub> )	V	-	-3	-
Gate Current (I <sub>G4</sub> )	mA	-	4	-

2. LO frequency range limits the performance characteristics to USB only.

3. Adjust V<sub>G1</sub>, V<sub>G2</sub>, V<sub>G3</sub> between -1.0 and -0.1 V to achieve specified current. Typical 300 mA = 90 (I<sub>D1</sub>) + 90 (I<sub>D2</sub>) + 120 (I<sub>D3</sub>)

### Absolute Maximum Ratings<sup>4,5,6</sup>

Parameter	Absolute Maximum
Drain Voltage	4.3 V
Gate Bias Voltage (V <sub>G1,2,3</sub> )	-1.5 V < V <sub>G</sub> < 0 V
Gate Bias Voltage (V <sub>G4</sub> )	-4.0 V < V <sub>G</sub> < 0 V
Input Power	10 dBm
LO Input Power	13 dBm
Storage Temperature	-55°C to +150°C
Operating Temperature	-40°C to +85°C
Junction Temperature <sup>7</sup>	+150°C

- Exceeding any one or combination of these limits may cause permanent damage to this device.
- MACOM does not recommend sustained operation near these survivability limits.
- Operating at nominal conditions with T<sub>J</sub> ≤ 150 °C will ensure MTTF > 1 x 10<sup>6</sup> hours.
- Junction Temperature (T<sub>J</sub>) = T<sub>C</sub> + Θ<sub>JC</sub> \* (V \* I)  
Typical thermal resistance (Θ<sub>JC</sub>) = 41.7 °C/W.  
a) For T<sub>C</sub> = 25 °C, T<sub>J</sub> = 75.04 °C @ 4 V, 300 mA  
b) For T<sub>C</sub> = 85 °C, T<sub>J</sub> = 135.04 °C @ 4 V, 300 mA

### Handling Procedures

Please observe the following precautions to avoid damage:

### Static Sensitivity

Gallium Arsenide Integrated Circuits are sensitive to electrostatic discharge (ESD) and can be damaged by static electricity. Proper ESD control techniques should be used when handling these Human Body Model Class 1B and Machine Model Class B devices.

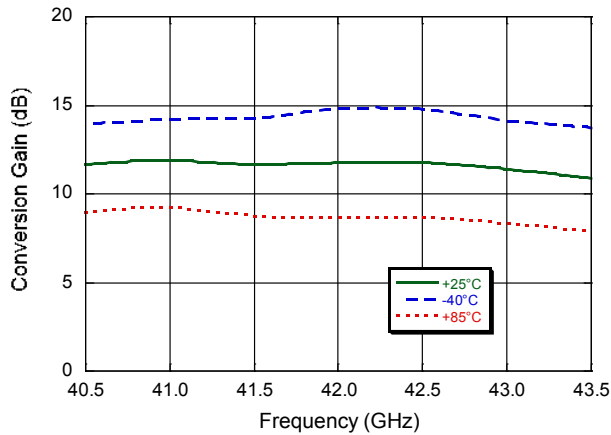
## Up Converter 40.5 - 43.5 GHz

Rev. V5

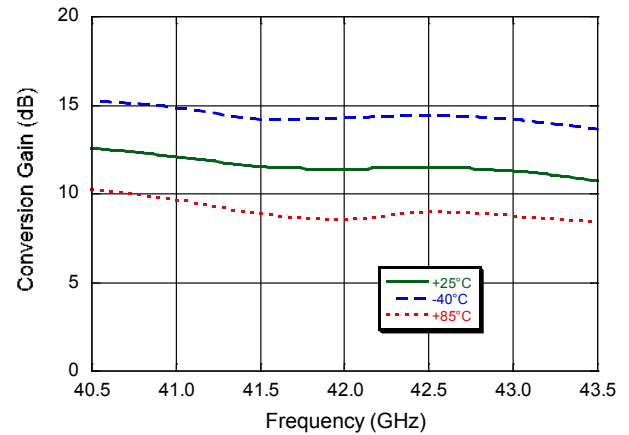
### Typical Performance Curves:

$V_D = 4\text{ V}$ ,  $I_{D1} = I_{D2} = 90\text{ mA}$ ,  $I_{D3} = 120\text{ mA}$ ,  $LO = 0\text{ dBm}$ ,  $IF = -10\text{ dBm}$ ,  $T_A = 25^\circ\text{C}$

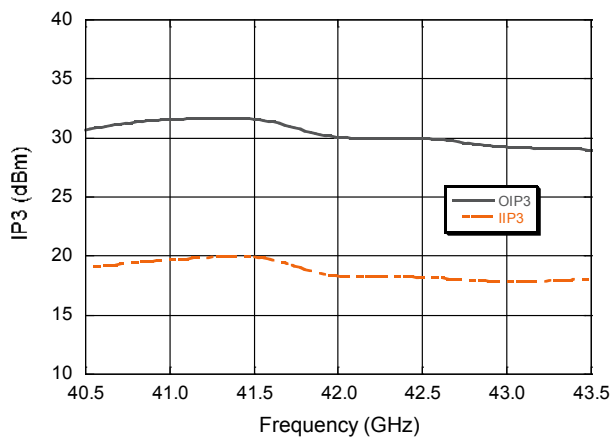
Conversion Gain @ 3.5 GHz IF



Conversion Gain @ 2 GHz IF



IP3 @ 3.5 GHz IF



Output IP3 @ 2 GHz IF

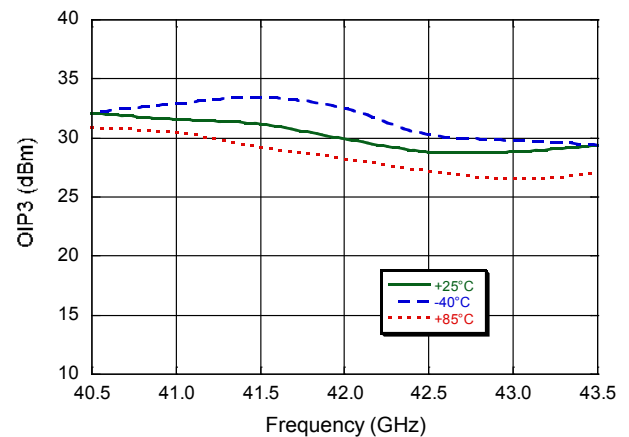
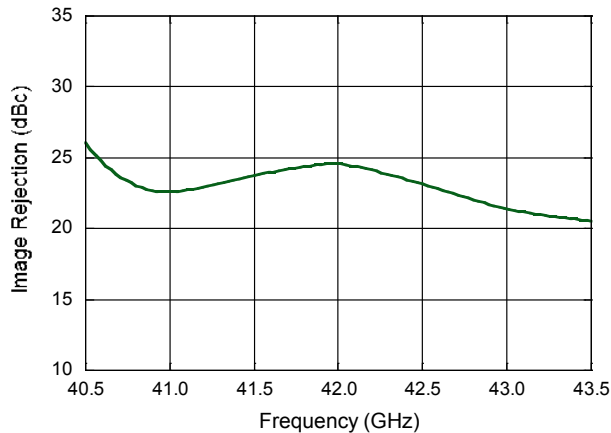


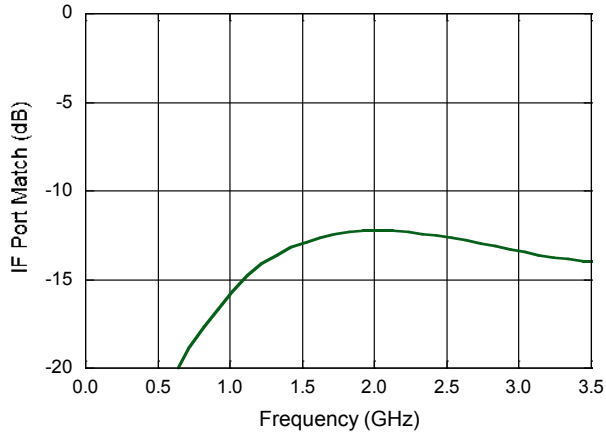
Image Rejection @ 3.5 GHz IF



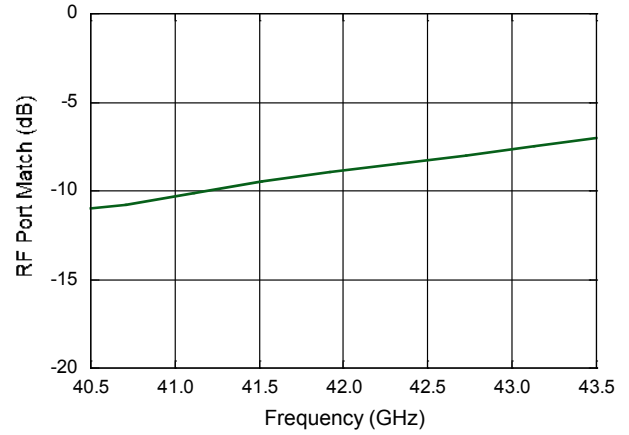
**Typical Performance Curves:**

$V_D = 4\text{ V}$ ,  $I_{D1} = I_{D2} = 90\text{ mA}$ ,  $I_{D3} = 120\text{ mA}$ ,  $LO = 0\text{ dBm}$ ,  $IF = -10\text{ dBm}$ ,  $T_A = 25^\circ\text{C}$

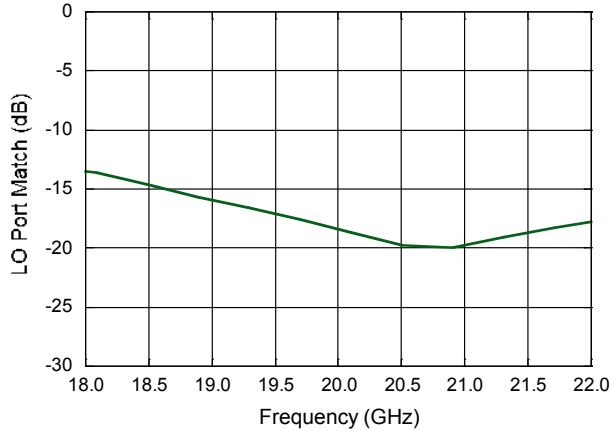
**IF Return Loss**



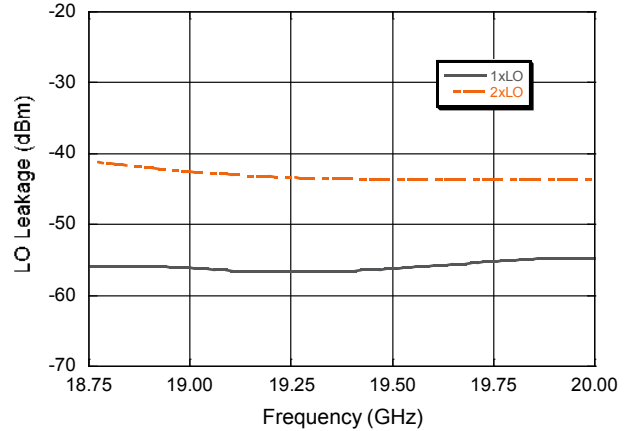
**RF Return Loss**



**LO Return Loss**



**LO Leakage**

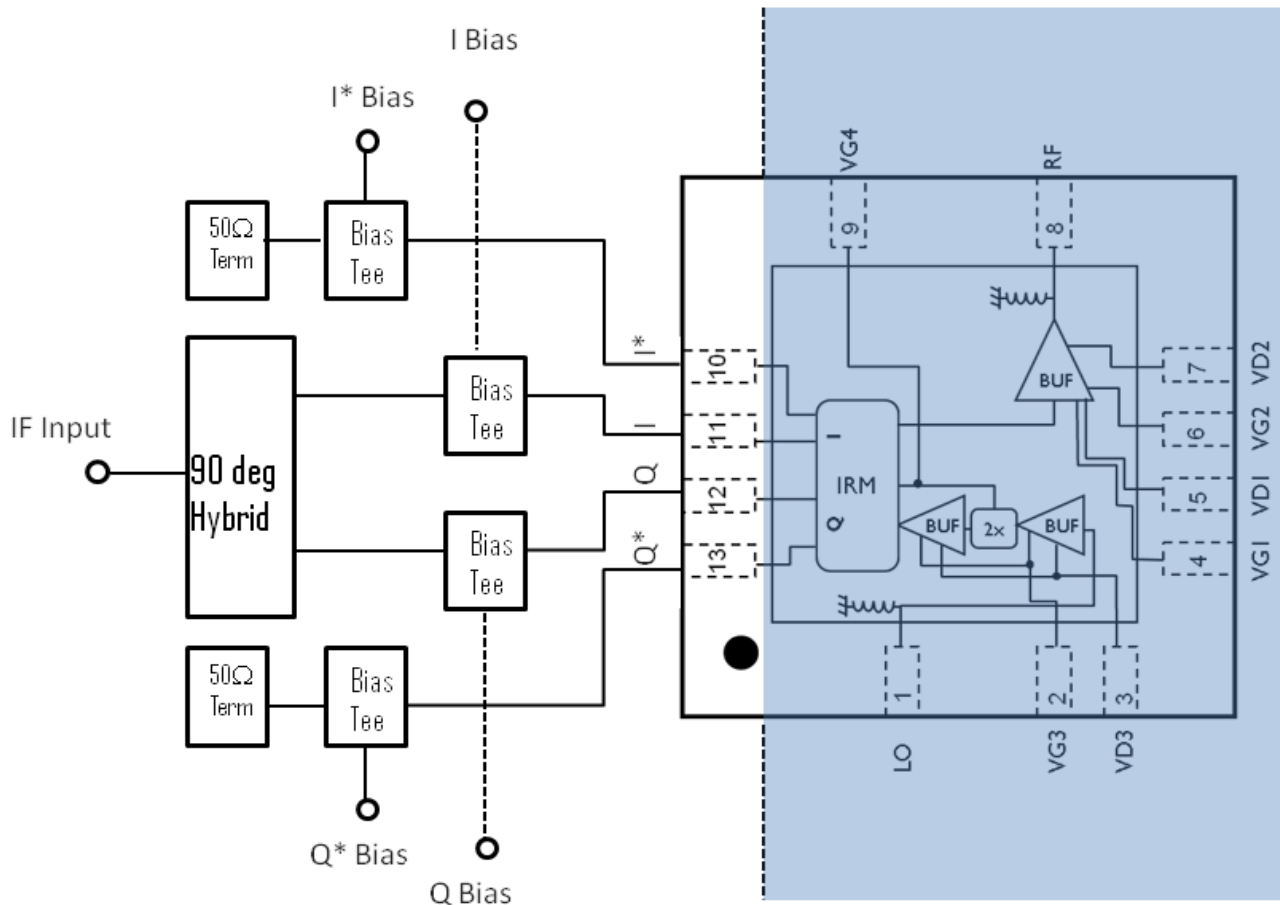


## Up Converter 40.5 - 43.5 GHz

Rev. V5

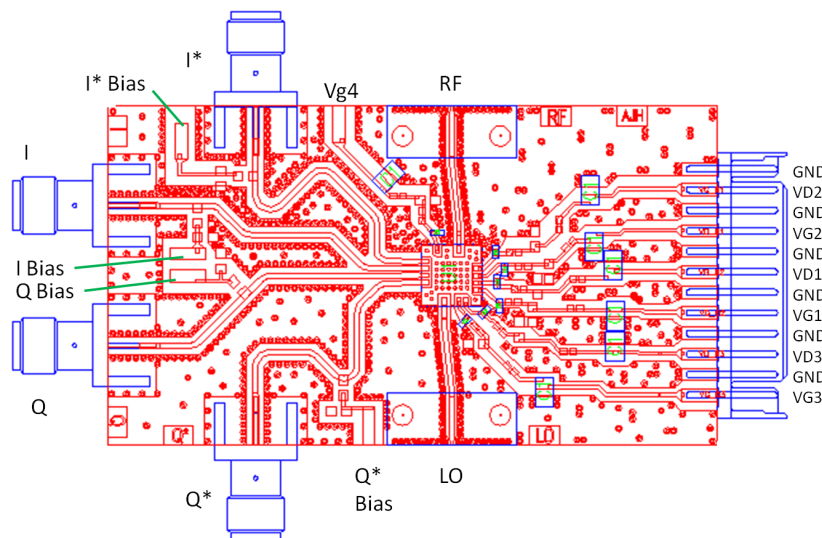
**App Note [1] Biasing** - As shown in the Pin Designations table, the device is operated by biasing  $V_{D1}$ ,  $V_{D2}$ , and  $V_{D3}$  at 4 V. The corresponding drain currents are set to 90 mA, 90 mA, and 120 mA respectively.  $V_{G4}$  requires a fixed voltage bias of nominally -3 V. It is recommended to use active bias on  $V_{G1}$  and  $V_{G2}$  to keep the currents in  $V_{D1}$  and  $V_{D2}$  constant, in order to maintain the best performance over temperature. The LO multiplier can be operated with either a fixed gate  $V_{G3} > -0.6$  V or fixed current 120 mA. In either scenario the performance of the part should be the same. Depending on the supply voltages available and the power dissipation constraints, the bias circuits may include a single transistor or a low power operational amplifier, with a low value resistor in series with the drain supply to sense the current. Make sure to sequence the applied voltage to ensure negative gate bias is available before applying the positive drain supply.

**App Note [2] I/Q versus I\*/Q\*** - The IF input to the typical configuration is through a 90° hybrid coupler. The hybrid splits the IF input into inphase and quadrature phase components. These two signals enter the MAUC-010515 on either the I/Q pair, or the I\*/Q\* complimentary pair. Whichever pair are not used must be terminated into 50 Ω. There are subtle differences between the performance when using the main IF ports (I, Q) versus the complimentary ports (I\*, Q\*). For highest gain, best image rejection and lowest noise figure, the main IF ports (I, Q) should be used.



**App Note [3] Board Layout** - As shown in the recommended board layout, it is recommended to provide 100 pF decoupling capacitors as close to the bias pins as possible. Additional 10 nF and 1  $\mu$ F on each of the bias lines are recommended placed a distance further away.

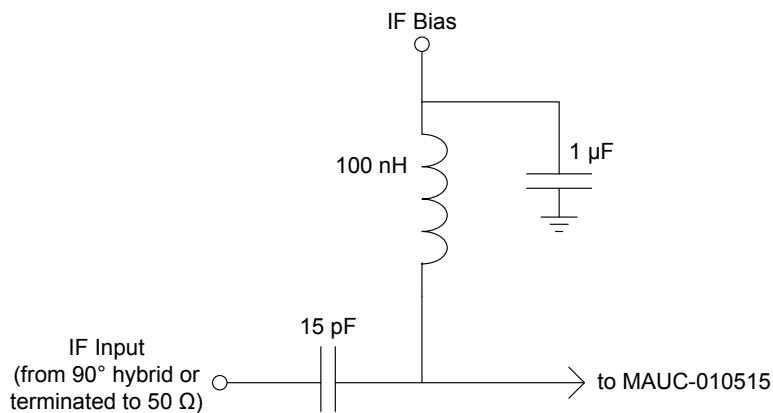
## Recommended Board Layout



**App Note [4] IF Bias** - To obtain optimum 2xLO leakage performance, tuning is achieved by adjusting the DC bias on each of the IF inputs (I, Q, I\*, Q\*). DC bias is implemented by adding simple bias tees to each of the four IF ports. The diagram below shows a typical bias tee design used.

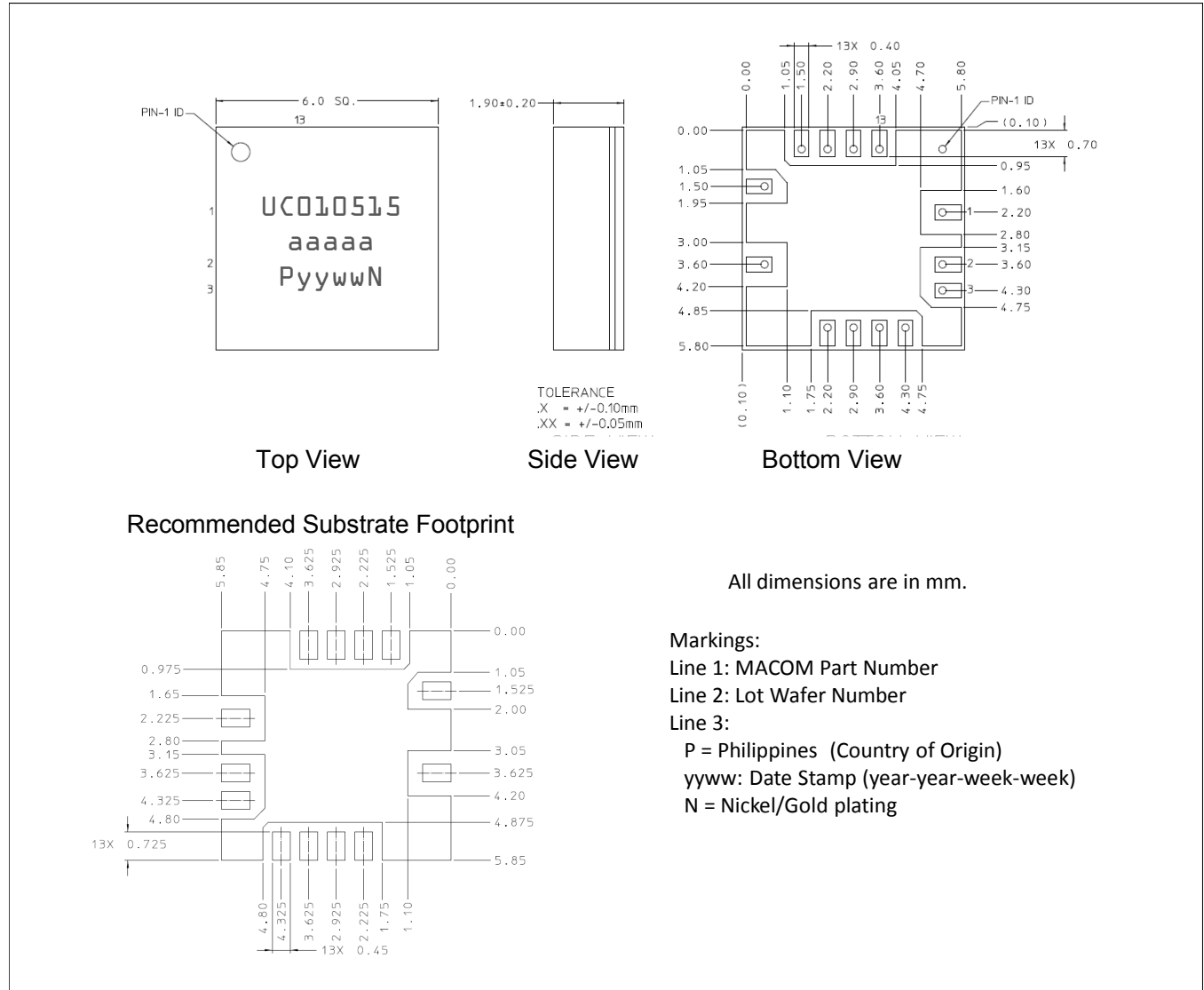
If the I and Q ports are used for the IF input, the I\* and Q\* ports are DC biased and terminated into 50  $\Omega$ . A typical tuning arrangement is to apply a fixed 0.3 V DC bias to both the used IF input ports: I, Q. The remaining two IF ports which have been terminated to 50  $\Omega$  tuning independently for minimum 2xLO leakage.

For minimum 2xLO leakage in a system, it may be necessary to correct the IF DC bias for different frequency and temperature conditions. This can be implemented by calibration and offset tables stored in memory, and used to control IF bias over all practical conditions.



Typical Configuration

## Lead-Free 6 mm Laminate Package<sup>†</sup>



<sup>†</sup> Reference Application Note S2083 for lead-free solder reflow recommendations.  
 Meets JEDEC moisture sensitivity level 3 requirements.

M/A-COM Technology Solutions Inc. All rights reserved.

Information in this document is provided in connection with M/A-COM Technology Solutions Inc ("MACOM") products. These materials are provided by MACOM as a service to its customers and may be used for informational purposes only. Except as provided in MACOM's Terms and Conditions of Sale for such products or in any separate agreement related to this document, MACOM assumes no liability whatsoever. MACOM assumes no responsibility for errors or omissions in these materials. MACOM may make changes to specifications and product descriptions at any time, without notice. MACOM makes no commitment to update the information and shall have no responsibility whatsoever for conflicts or incompatibilities arising from future changes to its specifications and product descriptions. No license, express or implied, by estoppel or otherwise, to any intellectual property rights is granted by this document.

THESE MATERIALS ARE PROVIDED "AS IS" WITHOUT WARRANTY OF ANY KIND, EITHER EXPRESS OR IMPLIED, RELATING TO SALE AND/OR USE OF MACOM PRODUCTS INCLUDING LIABILITY OR WARRANTIES RELATING TO FITNESS FOR A PARTICULAR PURPOSE, CONSEQUENTIAL OR INCIDENTAL DAMAGES, MERCHANTABILITY, OR INFRINGEMENT OF ANY PATENT, COPYRIGHT OR OTHER INTELLECTUAL PROPERTY RIGHT. MACOM FURTHER DOES NOT WARRANT THE ACCURACY OR COMPLETENESS OF THE INFORMATION, TEXT, GRAPHICS OR OTHER ITEMS CONTAINED WITHIN THESE MATERIALS. MACOM SHALL NOT BE LIABLE FOR ANY SPECIAL, INDIRECT, INCIDENTAL, OR CONSEQUENTIAL DAMAGES, INCLUDING WITHOUT LIMITATION, LOST REVENUES OR LOST PROFITS, WHICH MAY RESULT FROM THE USE OF THESE MATERIALS.

MACOM products are not intended for use in medical, lifesaving or life sustaining applications. MACOM customers using or selling MACOM products for use in such applications do so at their own risk and agree to fully indemnify MACOM for any damages resulting from such improper use or sale.