

MAX11167

16-Bit, 250ksps, $\pm 5V$ SAR ADC with Internal Reference in TDFN

General Description

The MAX11167 16-bit, 250ksps, SAR ADC offers excellent AC and DC performance with true bipolar input range, small size, and internal reference. The MAX11167 measures a $\pm 5V$ ($10V_{P-P}$) input range while operating from a single 5V supply. A patented charge-pump architecture allows direct sampling of high-impedance sources. The MAX11167 integrates an optional 6.7ppm/ $^{\circ}C$ reference with internal buffer, saving the cost and space of an external reference.

This ADC achieves 93.2dB SNR and -102.5dB THD. The MAX11167 guarantees 16-bit no-missing codes and ± 0.5 LSB INL (typ).

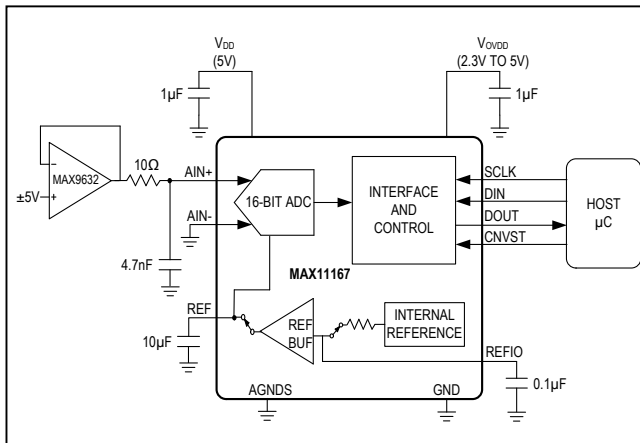
The MAX11167 communicates using an SPI-compatible serial interface at 2.5V, 3V, 3.3V, or 5V logic. The serial interface can be used to daisy-chain multiple ADCs in parallel for multichannel applications and provides a busy indicator option for simplified system synchronization and timing.

The MAX11167 is offered in a 12-pin, 3mm x 3mm, TDFN package and is specified over the $-40^{\circ}C$ to $+85^{\circ}C$ temperature range.

Applications

- Data Acquisition Systems
- Industrial Control Systems/Process Control
- Medical Instrumentation
- Automatic Test Equipment

Typical Operating Circuit



Benefits and Features

- High DC/AC Accuracy Improves Measurement Quality
 - 16-Bit Resolution with No Missing Codes
 - 250ksps Throughput Rate Without Pipeline Delay/Latency
 - 93.2dB SNR and -102.5dB THD at 10kHz
 - 0.5 LSB_{RMS} Transition Noise
 - ± 0.2 LSB DNL (typ) and ± 0.4 LSB INL (typ)
- Highly Integrated ADC Saves Cost and Space
 - ± 6.7 ppm/ $^{\circ}C$ Internal Reference
 - Internal Reference Buffer
- Wide Supply Range and Low Power Simplify Power-Supply Design
 - 5V Analog Supply
 - 2.3V to 5V Digital Supply
 - 21.2mW Power Consumption at 250ksps
 - 10 μ A in Shutdown Mode
- Multi-Industry Standard Serial Interface and Small Package Reduce Size
 - SPI/QSPI™/MICROWIRE®/DSP-Compatible Serial Interface
 - 3mm x 3mm Tiny 12-Pin TDFN Package

QSPI is a trademark of Motorola, Inc.

MICROWIRE is a registered trademark of National Semiconductor Corporation.

14-Bit to 18-Bit SAR ADC Family

| | 14-BIT 500ksps | 16-BIT 250ksps | 16-BIT 500ksps | 18-BIT 500ksps |
|---|-------------------|----------------------|----------------------|----------------------|
| $\pm 5V$ Input Internal Reference | — | MAX11167 MAX11169 | MAX11166 MAX11168 | MAX11156 MAX11158 |
| 0 to 5V Input Internal Reference | — | MAX11161 MAX11165 | MAX11160 MAX11164 | MAX11150 MAX11154 |
| 0 to 5V Input External Reference | MAX11262 | MAX11163 | MAX11162 | MAX11152 |

Selector Guide and **Ordering Information** appear at end of data sheet.

Absolute Maximum Ratings

V_{DD} to GND-0.3V to +6V
 OVDD to GND -0.3V to the lower of (V_{DD} + 0.3V) and +6V
 AIN+ to GND ±7V
 AIN-, REF, REFIO, AGNDS
 to GND..... -0.3V to the lower of (V_{DD} + 0.3V) and +6V
 SCLK, DIN, DOUT, CNVST
 to GND..... -0.3V to the lower of (V_{DD} + 0.3V) and +6V
 Maximum Current into Any Pin..... 50mA

Continuous Power Dissipation (T_A = +70°C)
 TDFN (derate 18.2mW/°C above +70°C)..... 1349mW
 Operating Temperature Range..... -40°C to +85°C
 Junction Temperature +150°C
 Storage Temperature Range -65°C to +150°C
 Lead Temperature (soldering, 10s) +300°C
 Soldering Temperature (reflow) +260°C

Stresses beyond those listed under “Absolute Maximum Ratings” may cause permanent damage to the device. These are stress ratings only, and functional operation of the device at these or any other conditions beyond those indicated in the operational sections of the specifications is not implied. Exposure to absolute maximum rating conditions for extended periods may affect device reliability.

Package Thermal Characteristics (Note 1)

TDFN
 Junction-to-Ambient Thermal Resistance (θ_{JA}).....59.3°C/W
 Junction-to-Case Thermal Resistance (θ_{JC}).....22.5°C/W

Note 1: Package thermal resistances were obtained using the method described in JEDEC specification JESD51-7, using a four-layer board. For detailed information on package thermal considerations, refer to www.maximintegrated.com/thermal-tutorial.

Electrical Characteristics

(V_{DD} = 4.75V to 5.25V, V_{OVDD} = 2.3V to 5.25V, f_{SAMPLE} = 250ksps, V_{REF} = 4.096V; T_A = T_{MIN} to T_{MAX}, unless otherwise noted. Typical values are at T_A = +25°C.) (Note 2)

| PARAMETER | SYMBOL | CONDITIONS | MIN | TYP | MAX | UNITS |
|------------------------------------|--------|---|--------------------------|--------|--------------------------|--------|
| ANALOG INPUT (Note 3) | | | | | | |
| Input Voltage Range | | AIN+ to AIN-, $K = \frac{5.000}{4.096}$ | -K x V _{REF} | | +K x V _{REF} | V |
| Absolute Input Voltage Range | | AIN+ to GND | -(V _{DD} + 0.1) | | +(V _{DD} + 0.1) | V |
| | | AIN- to GND | -0.1 | | +0.1 | |
| Input Leakage Current | | Acquisition phase | -10 | +0.001 | +10 | µA |
| Input Capacitance | | | | 15 | | pF |
| Input-Clamp Protection Current | | Both inputs | -20 | | +20 | mA |
| STATIC PERFORMANCE | | | | | | |
| Resolution | N | | 16 | | | Bits |
| No Missing Codes | | | 16 | | | Bits |
| Offset Error | | | -7.5 | ±0.7 | +7.5 | LSB |
| Offset Temperature Coefficient | | | | ±0.006 | | LSB/°C |
| Gain Error | | | -3.5 | ±1.6 | +3.5 | LSB |
| Gain Error Temperature Coefficient | | | | ±0.007 | | LSB/°C |
| Integral Nonlinearity | INL | | -1.2 | ±0.4 | +1.2 | LSB |
| Differential Nonlinearity | DNL | Guaranteed by design | -0.5 | ±0.2 | +0.5 | LSB |
| Positive Full-Scale Error | | | -8 | | +8 | LSB |

Electrical Characteristics (continued)

($V_{DD} = 4.75V$ to $5.25V$, $V_{OVDD} = 2.3V$ to $5.25V$, $f_{SAMPLE} = 250ksps$, $V_{REF} = 4.096V$; $T_A = T_{MIN}$ to T_{MAX} , unless otherwise noted. Typical values are at $T_A = +25^\circ C$.) (Note 2)

| PARAMETER | SYMBOL | CONDITIONS | MIN | TYP | MAX | UNITS |
|--|--------------|---|---------------------------------------|-----------|-------|--------------------|
| Negative Full-Scale Error | | | -8 | | +8 | LSB |
| Analog Input CMRR | CMRR | | | -0.9 | | LSB/V |
| Power-Supply Rejection (Note 5) | PSR | | | -4.6 | | LSB/V |
| Transition Noise | | | | 0.5 | | LSB _{RMS} |
| REFERENCE (Note 7) | | | | | | |
| REF Output Initial Accuracy | V_{REF} | Reference mode 0 | 4.092 | 4.096 | 4.100 | V |
| REF Output Temperature Coefficient | TC_{REF} | Reference mode 0 | -17 | ± 8.2 | +17 | ppm/ $^\circ C$ |
| REFIO Output Initial Accuracy | V_{REFIO} | Reference modes 0 and 2 | 4.092 | 4.096 | 4.100 | V |
| REFIO Output Temperature Coefficient | TC_{REFIO} | Reference modes 0 and 2 | -15 | ± 6.7 | +15 | ppm/ $^\circ C$ |
| REFIO Output Impedance | | Reference modes 0 and 2 | | 10 | | k Ω |
| REFIO Input Voltage Range | | Reference mode 1 | 3 | 4.096 | 4.25 | V |
| Reference Buffer Initial Offset | | Reference mode 1 | -500 | | +500 | μV |
| Reference Buffer Temperature Coefficient | | Reference mode 1 | -14.4 | ± 6.6 | +14.4 | $\mu V/^\circ C$ |
| External Compensation Capacitor | C_{EXT} | Required for reference modes 0 and 1, recommended for reference modes 2 and 3 | 10 | | | μF |
| REF Voltage Input Range | V_{REF} | Reference modes 2 and 3 | 2.5 | | 4.25 | V |
| REF Input Capacitance | | Reference modes 2 and 3 | | 20 | | pF |
| REF Load Current | I_{REF} | $V_{REF} = 4.096V$, reference modes 2 and 3 | | 66 | | μA |
| DYNAMIC PERFORMANCE (Note 6) | | | | | | |
| Signal-to-Noise Ratio (Note 7) | SNR | $f_{IN} = 10kHz$ | $V_{REF} = 4.096V$, reference mode 3 | 91.8 | 93.2 | dB |
| | | | $V_{REF} = 4.096V$, reference mode 1 | | 93.1 | |
| | | | $V_{REF} = 2.5V$, reference mode 3 | | 90.1 | |
| | | | Internal reference, reference mode 0 | | 93.2 | |
| Signal-to-Noise Plus Distortion (Note 7) | SINAD | $f_{IN} = 10kHz$ | $V_{REF} = 4.096V$, reference mode 3 | 91.0 | 92.7 | dB |
| | | | $V_{REF} = 4.096V$, reference mode 1 | | 92.5 | |
| | | | $V_{REF} = 2.5V$, reference mode 3 | | 89.9 | |
| | | | Internal reference, reference mode 0 | | 92.7 | |
| Spurious-Free Dynamic Range | SFDR | | 98.8 | 105.8 | | dB |
| Total Harmonic Distortion | THD | | | -102.5 | -96.5 | dB |
| Intermodulation Distortion (Note 8) | IMD | | | -115.0 | | dB |

Electrical Characteristics (continued)

($V_{DD} = 4.75V$ to $5.25V$, $V_{OVDD} = 2.3V$ to $5.25V$, $f_{SAMPLE} = 250ksps$, $V_{REF} = 4.096V$; $T_A = T_{MIN}$ to T_{MAX} , unless otherwise noted. Typical values are at $T_A = +25^\circ C$.) (Note 2)

| PARAMETER | SYMBOL | CONDITIONS | MIN | TYP | MAX | UNITS |
|--|------------|--|-------------------------|-------|------|---------|
| SAMPLING DYNAMICS | | | | | | |
| Throughput Sample Rate | | | 0.01 | | 250 | ksps |
| Transient Response | | Full-scale step | | | 400 | ns |
| Full-Power Bandwidth | | -3dB point | | 6 | | MHz |
| | | -0.1dB point | | > 0.2 | | |
| Aperture Delay | | | | 2.5 | | ns |
| Aperture Jitter | | | | < 50 | | psRMS |
| POWER SUPPLIES | | | | | | |
| Analog Supply Voltage | V_{DD} | | 4.75 | | 5.25 | V |
| Interface Supply Voltage | V_{OVDD} | | 2.3 | | 5.25 | V |
| Analog Supply Current | I_{VDD} | Internal reference mode | 5.0 | 5.8 | 6.5 | mA |
| | | External reference mode | 3.0 | 3.5 | 4.0 | |
| V_{DD} Shutdown Current | | | | 6.3 | 10 | μA |
| Interface Supply Current | I_{OVDD} | $V_{OVDD} = 2.3V$ | | 0.8 | 1.2 | mA |
| | | $V_{OVDD} = 5.25V$ | | 2.2 | 2.7 | |
| OVDD Shutdown Current | | | | 0.9 | 10 | μA |
| Power Dissipation | | $V_{DD} = 5V$, $V_{OVDD} = 3.3V$, reference mode = 2, 3 | | 21.2 | | mW |
| | | $V_{DD} = 5V$, $V_{OVDD} = 3.3V$, reference mode = 0, 1 | | 33.3 | | |
| DIGITAL INPUTS (DIN, SCLK, CNVST) | | | | | | |
| Input Voltage High | V_{IH} | | 0.7 x V_{OVDD} | | | V |
| Input Voltage Low | V_{IL} | | 0.3 x V_{OVDD} | | | V |
| Input Hysteresis | V_{HYS} | | ± 0.05 x V_{OVDD} | | | V |
| Input Capacitance | C_{IN} | | 10 | | | pF |
| Input Current | I_{IN} | $V_{IN} = 0V$ or V_{OVDD} | -10 | | +10 | μA |
| DIGITAL OUTPUT (DOUT) | | | | | | |
| Output Voltage High | V_{OH} | $I_{SOURCE} = 2mA$ | $V_{OVDD} - 0.4$ | | | V |
| Output Voltage Low | V_{OL} | $I_{SINK} = 2mA$ | | | 0.4 | V |
| Three-State Leakage Current | | | -10 | | +10 | μA |
| Three-State Output Capacitance | | | 15 | | | pF |

Electrical Characteristics (continued)

($V_{DD} = 4.75V$ to $5.25V$, $V_{OVDD} = 2.3V$ to $5.25V$, $f_{SAMPLE} = 250ksps$, $V_{REF} = 4.096V$; $T_A = T_{MIN}$ to T_{MAX} , unless otherwise noted. Typical values are at $T_A = +25^\circ C$.) (Note 2)

| PARAMETER | SYMBOL | CONDITIONS | MIN | TYP | MAX | UNITS |
|---|---------------|--------------------------------|-----|-----|--------|---------|
| TIMING (Note 9) | | | | | | |
| Time Between Conversions | t_{CYC} | | 4 | | 100000 | μs |
| Conversion Time | t_{CONV} | CVNST rising to data available | 2.7 | | 3.0 | μs |
| Acquisition Time | t_{ACQ} | $t_{ACQ} = t_{CYC} - t_{CONV}$ | 1 | | | μs |
| CVNST Pulse Width | t_{CNVPW} | \overline{CS} mode | 5 | | | ns |
| SCLK Period (\overline{CS} Mode) | t_{SCLK} | $V_{OVDD} > 4.5V$ | 14 | | | ns |
| | | $V_{OVDD} > 2.7V$ | 20 | | | |
| | | $V_{OVDD} > 2.3V$ | 26 | | | |
| SCLK Period (Daisy-Chain Mode) | t_{SCLK} | $V_{OVDD} > 4.5V$ | 16 | | | ns |
| | | $V_{OVDD} > 2.7V$ | 24 | | | |
| | | $V_{OVDD} > 2.3V$ | 30 | | | |
| SCLK Low Time | t_{SCLKL} | | 5 | | | ns |
| SCLK High Time | t_{SCLKH} | | 5 | | | ns |
| SCLK Falling Edge to Data Valid Delay | t_{DDO} | $V_{OVDD} > 4.5V$ | | | 12 | ns |
| | | $V_{OVDD} > 2.7V$ | | | 18 | |
| | | $V_{OVDD} > 2.3V$ | | | 23 | |
| CVNST Low to DOUT D15 MSB Valid (\overline{CS} Mode) | t_{EN} | $V_{OVDD} > 2.7V$ | | | 14 | ns |
| | | $V_{OVDD} < 2.7V$ | | | 17 | |
| CVNST High or Last SCLK Falling Edge to DOUT High Impedance | t_{DIS} | \overline{CS} Mode | | | 20 | ns |
| DIN Valid Setup Time from SCLK Falling Edge | $t_{SDINSCK}$ | $V_{OVDD} > 4.5V$ | 3 | | | ns |
| | | $V_{OVDD} > 2.7V$ | 5 | | | |
| | | $V_{OVDD} > 2.3V$ | 6 | | | |
| DIN Valid Hold Time from SCLK Falling Edge | $t_{HDINSCK}$ | | 0 | | | ns |
| SCLK Valid Setup Time to CVNST Falling Edge | $t_{SSCKCNF}$ | | 3 | | | ns |
| SCLK Valid Hold Time to CVNST Falling Edge | $t_{HSCKCNF}$ | | 6 | | | ns |

Note 2: Maximum and minimum limits are fully production tested over specified supply voltage range and at a temperature of $+25^\circ C$. Limits over the operating temperature range are guaranteed by design and device characterization.

Note 3: See the [Analog Inputs](#) and [Overvoltage Input Clamps](#) sections.

Note 4: Static Performance limits are guaranteed by design and device characterization, see the [Definitions](#) section.

Note 5: Defined as the change in positive full-scale code transition caused by a $\pm 5\%$ variation in the V_{DD} supply voltage.

Note 6: 10kHz sine wave input, $-0.1dB$ below full scale.

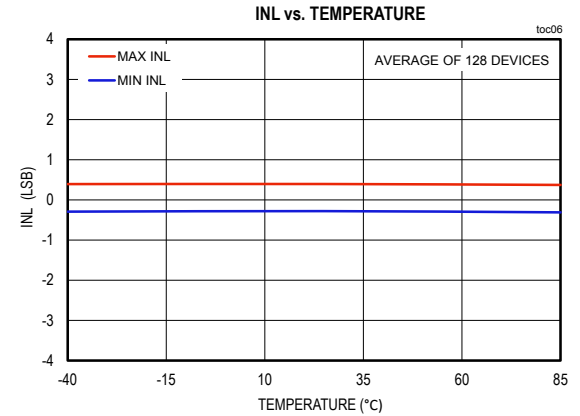
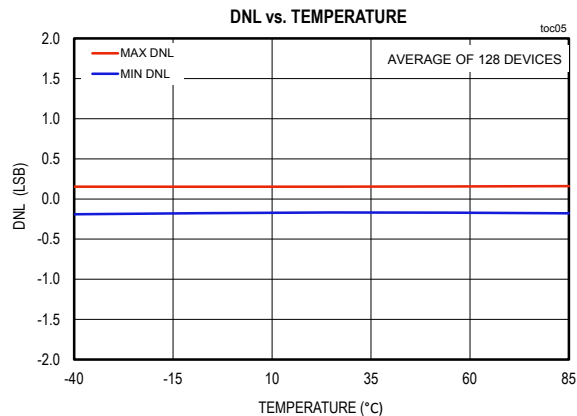
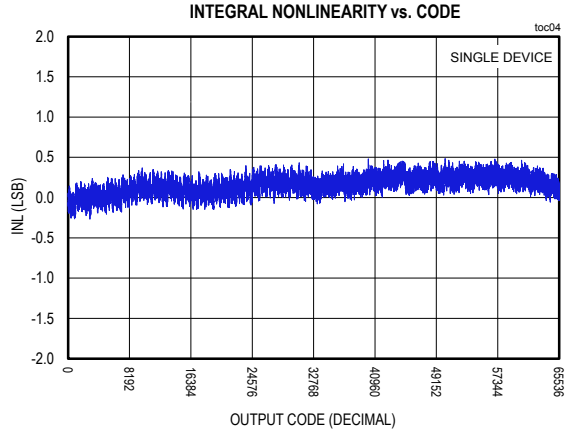
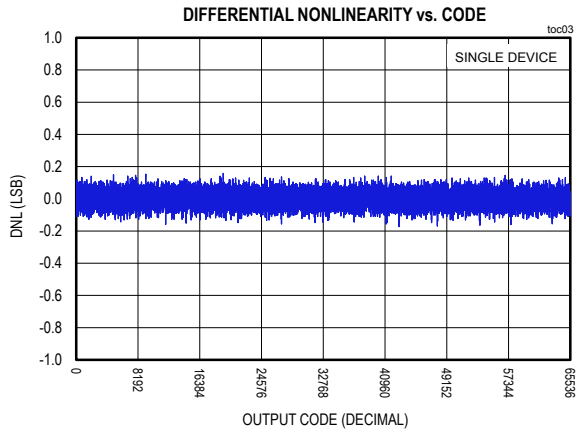
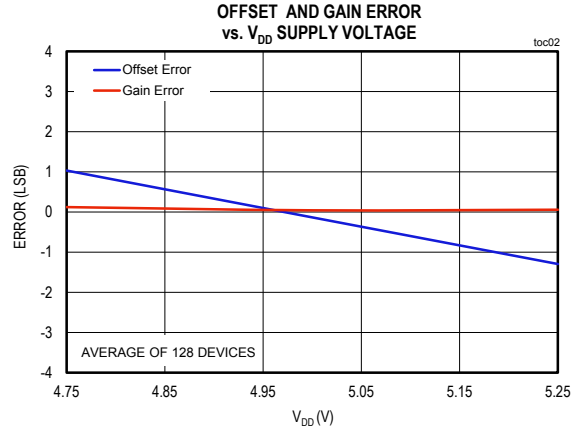
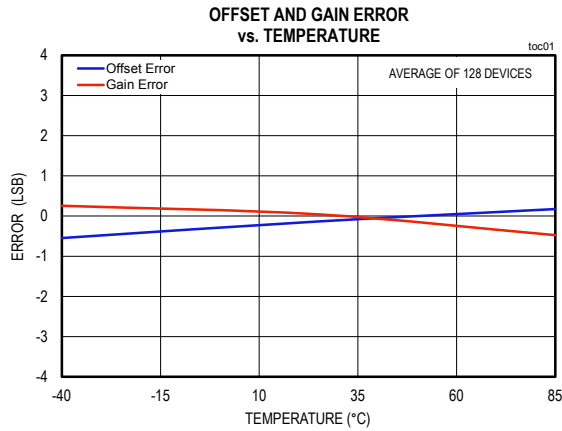
Note 7: See [Table 4](#) for definition of the reference modes.

Note 8: $f_{IN1} \sim 9.4kHz$, $f_{IN2} \sim 10.7kHz$, Each tone at $-6.1dB$ below full scale.

Note 9: $C_{LOAD} = 65pF$ on DOUT.

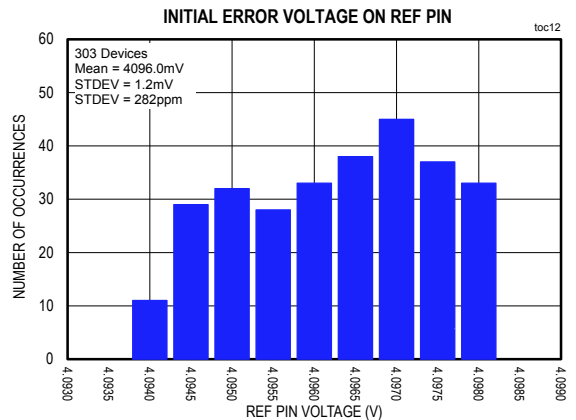
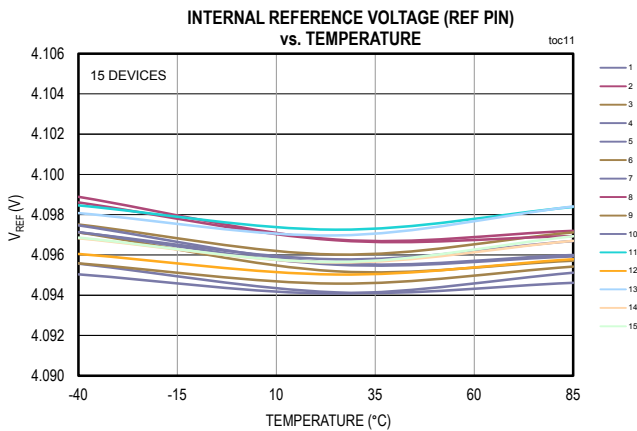
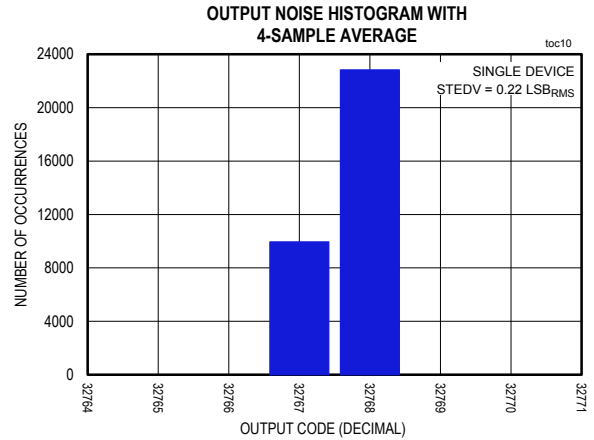
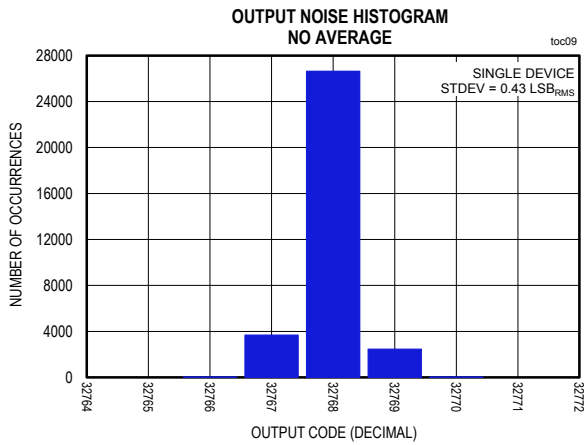
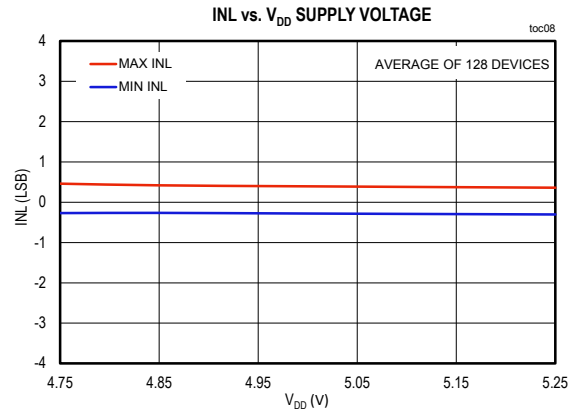
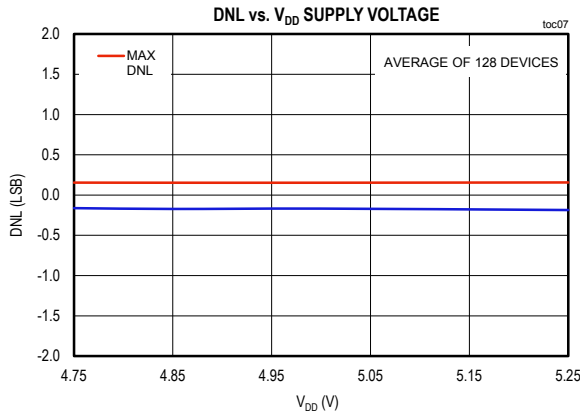
Typical Operating Characteristics

($V_{DD} = 5.0V$, $V_{OVDD} = 3.3V$, $f_{SAMPLE} = 250ksps$; $T_A = +25^\circ C$, unless otherwise noted.)



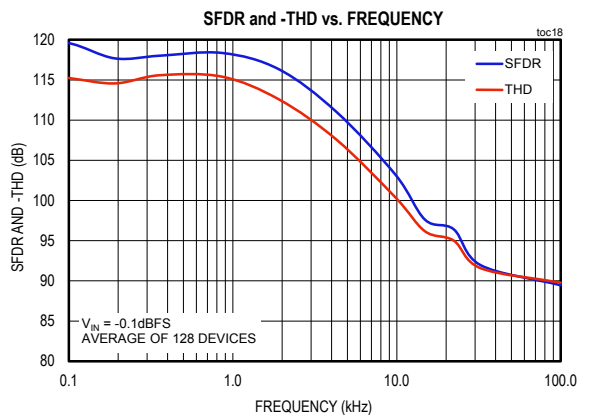
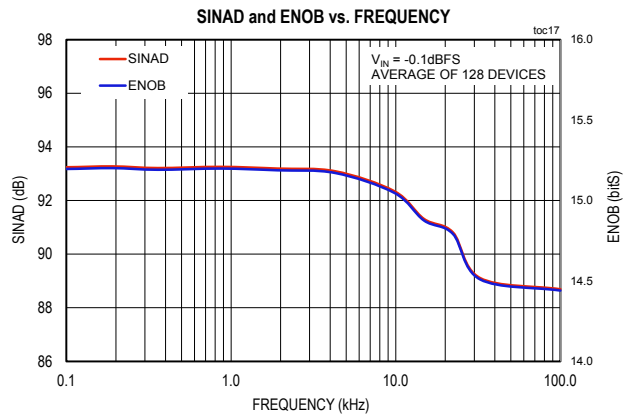
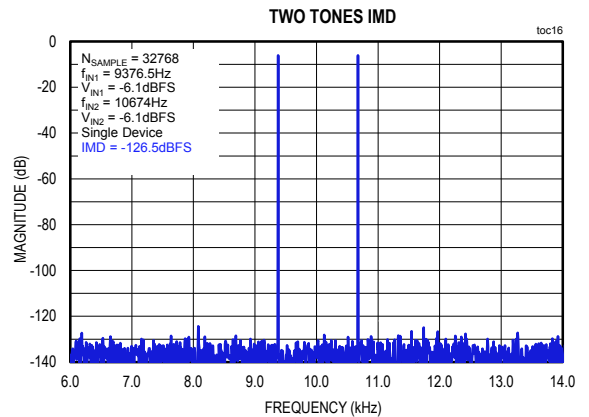
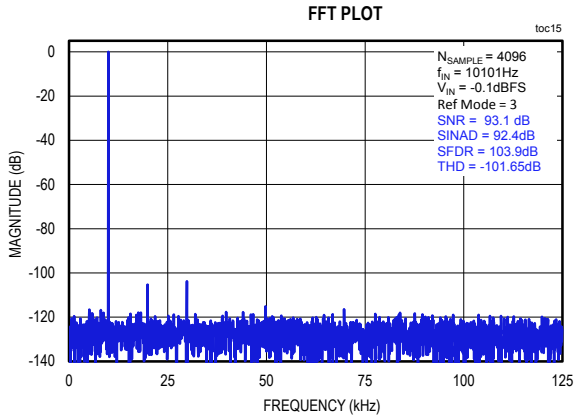
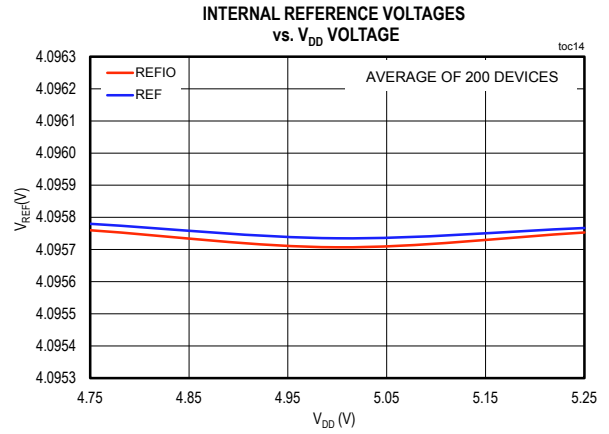
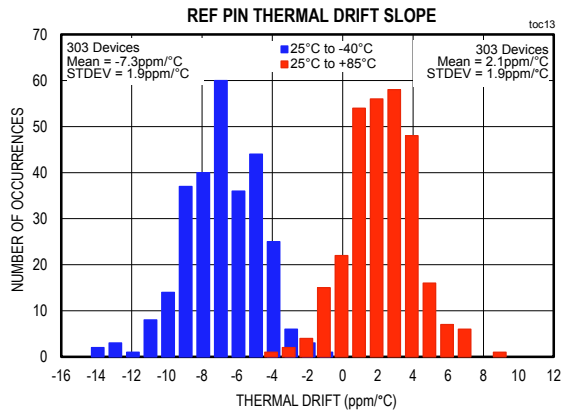
Typical Operating Characteristics (continued)

($V_{DD} = 5.0V$, $V_{OVDD} = 3.3V$, $f_{SAMPLE} = 250ksps$; $T_A = +25^{\circ}C$, unless otherwise noted.)



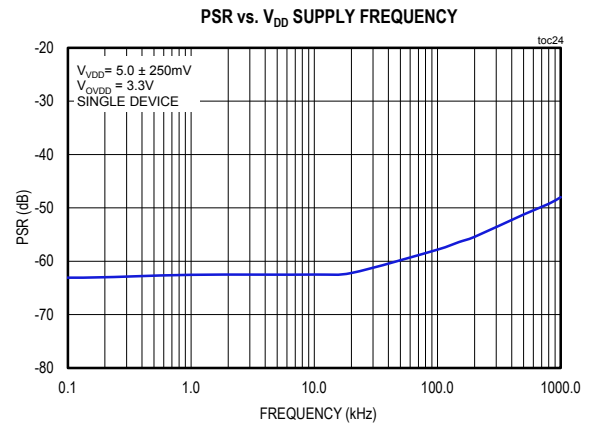
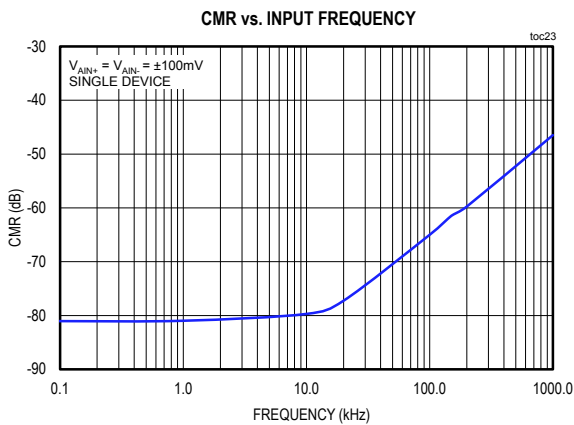
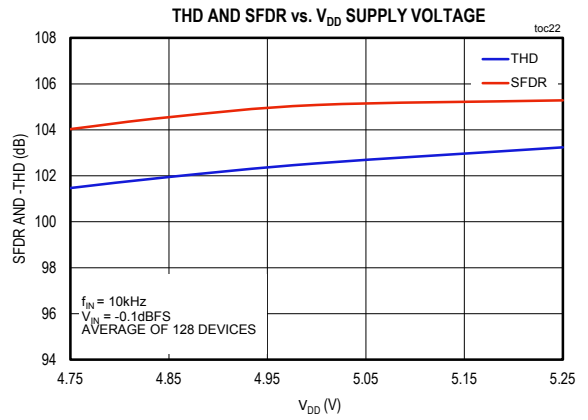
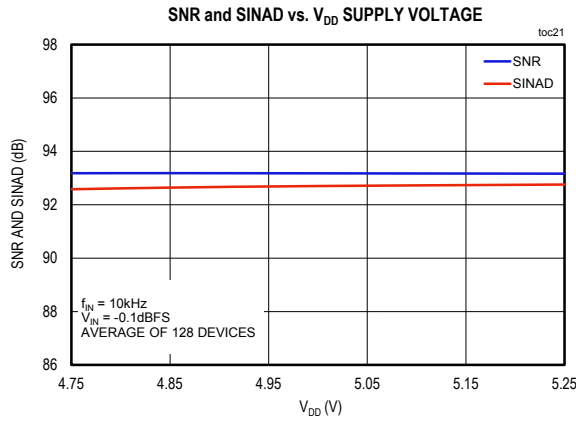
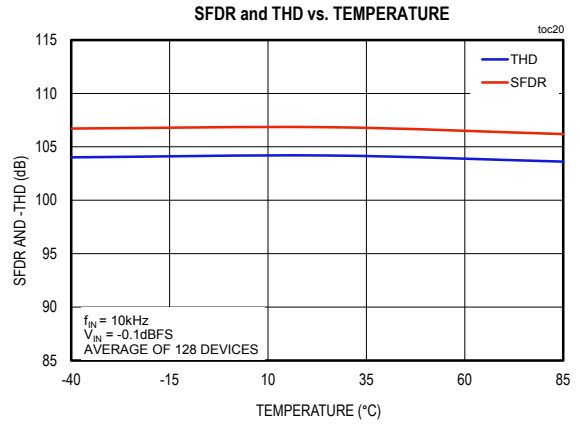
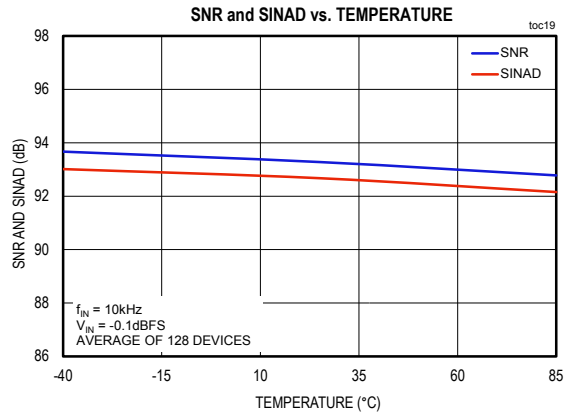
Typical Operating Characteristics (continued)

($V_{DD} = 5.0V$, $V_{OVDD} = 3.3V$, $f_{SAMPLE} = 250ksps$; $T_A = +25^{\circ}C$, unless otherwise noted.)



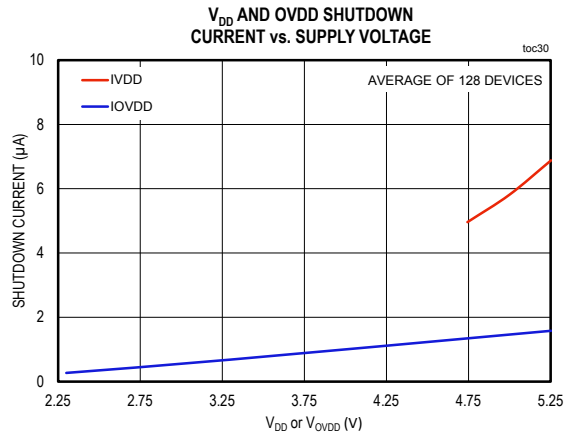
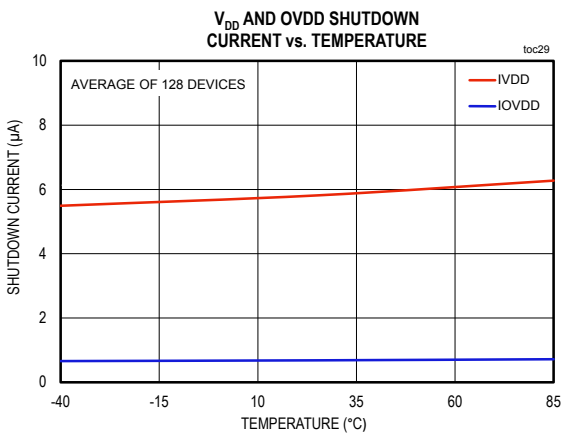
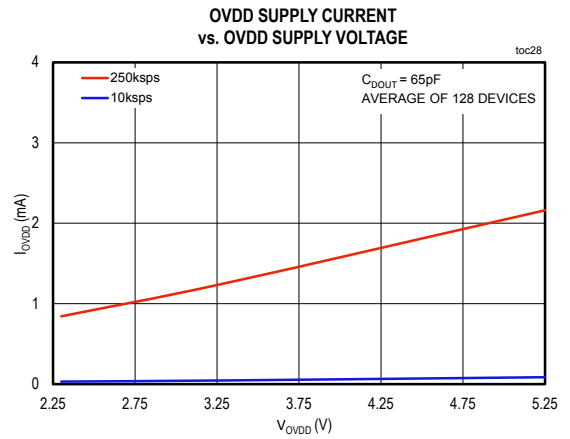
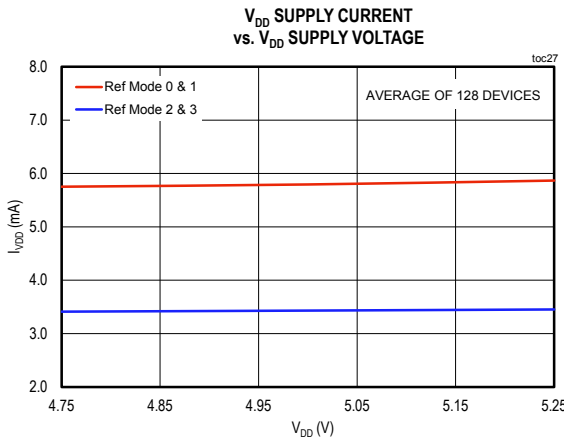
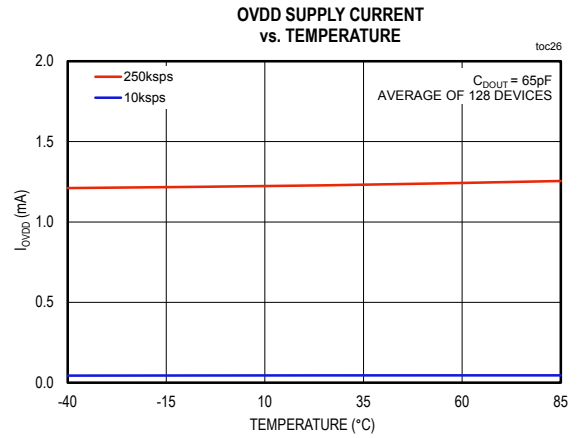
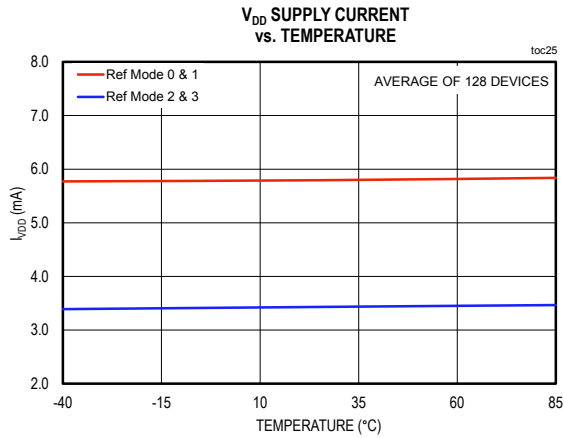
Typical Operating Characteristics (continued)

($V_{DD} = 5.0V$, $V_{OVDD} = 3.3V$, $f_{SAMPLE} = 250ksps$; $T_A = +25^\circ C$, unless otherwise noted.)

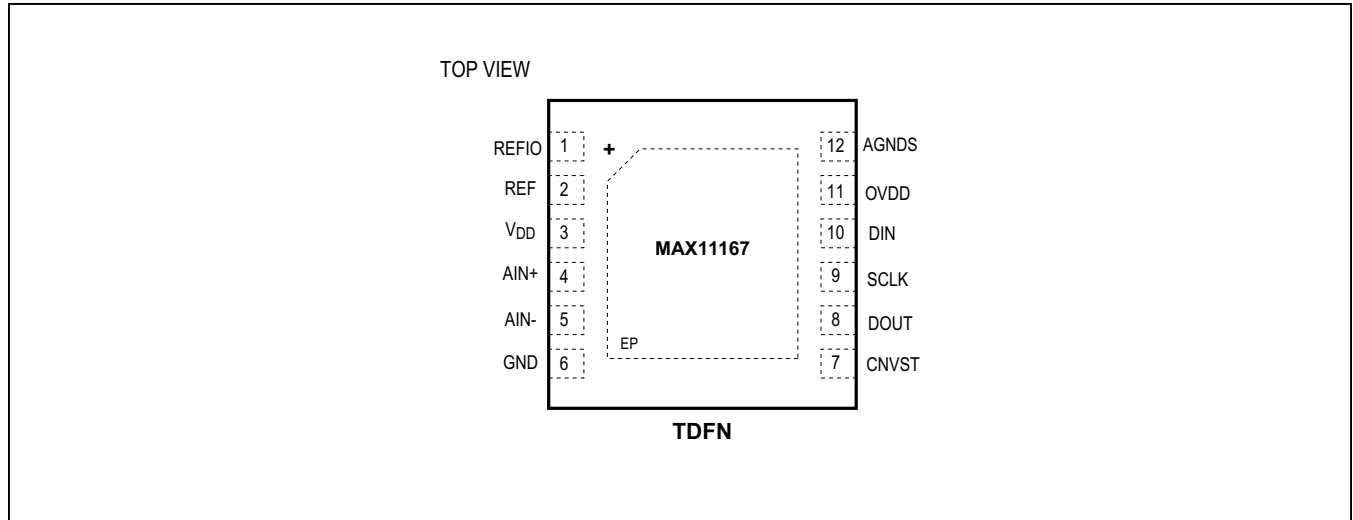


Typical Operating Characteristics (continued)

($V_{DD} = 5.0V$, $V_{OVDD} = 3.3V$, $f_{SAMPLE} = 250ksps$; $T_A = +25^\circ C$, unless otherwise noted.)



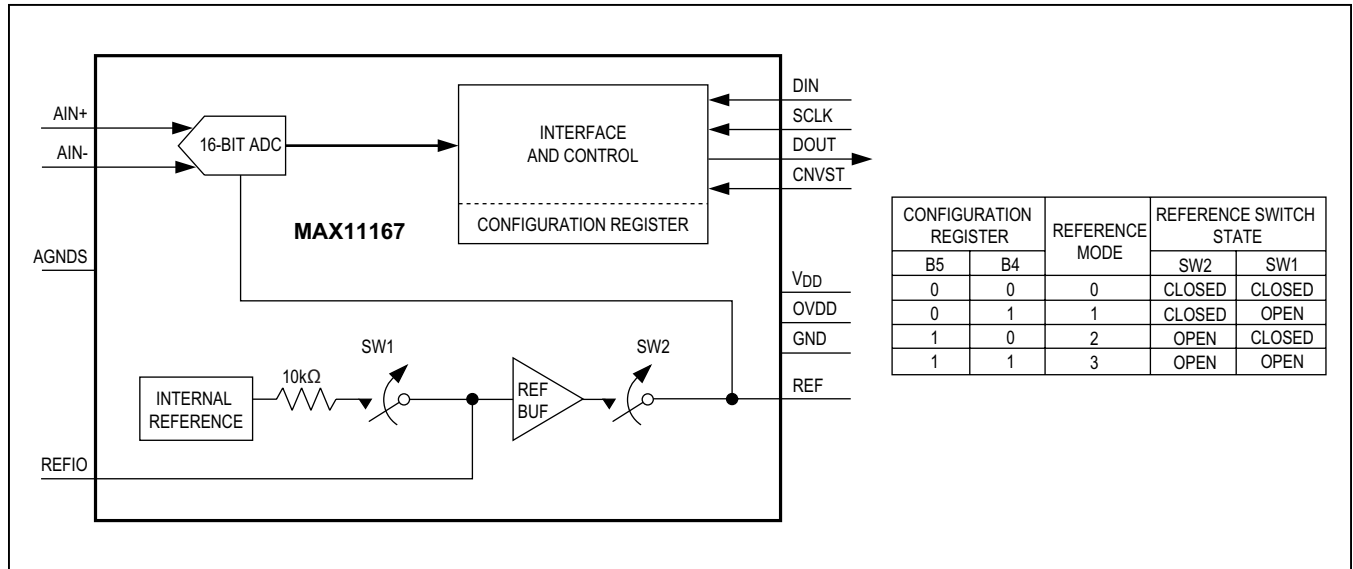
Pin Configuration



Pin Description

| PIN | NAME | I/O | FUNCTION |
|-----|-----------------|-----|---|
| 1 | REFIO | I/O | External Reference Input/Internal Reference Output. Place a 0.1µF capacitor from REFIO to AGNDS. |
| 2 | REF | I/O | External Reference Input/Reference Buffer Decoupling. Bypass to AGNDS in close proximity with a X5R or X7R 10µF 16V capacitor. See the <i>Layout, Grounding, and Bypassing</i> section. |
| 3 | V _{DD} | I | Analog Power Supply. Bypass to GND with a 0.1µF capacitor for each device and one 10µF per PCB. |
| 4 | AIN+ | I | Positive Analog Input |
| 5 | AIN- | I | Negative Analog Input. Connect AIN- to the analog ground plane or to a remote-sense ground. |
| 6 | GND | I | Power-Supply Ground |
| 7 | CNVST | I | Convert Start Input. The rising edge of CNVST initiates conversions. The falling edge of CNVST with SCLK high enables the serial interface. |
| 8 | DOUT | O | Serial Data Output. DOUT will change stated on the falling edge of SCLK. |
| 9 | SCLK | I | Serial Clock Input. Clocks data out of the serial interface when the device is selected. |
| 10 | DIN | I | Serial Data Input. DIN data is latched into the serial interface on the rising edge of SCLK. |
| 11 | OVDD | I | Digital Power Supply. Bypass to GND with a 0.1µF capacitor for each device and one 10µF per PCB. |
| 12 | AGNDS | I | Analog Ground Sense. Zero current reference for the on-board DAC and reference source. Reference for REFIO and REF. |
| — | EP | — | Exposed Pad. Connect to PCB GND. |

Functional Diagram



Detailed Description

The MAX11167 is a 16-bit single-channel, pseudo-differential ADC with maximum throughput rates of 250ksps. This ADC includes a precision internal reference that allows for measuring a bipolar input voltage range of ±5V. An external reference can also be applied for input ranges between ±3.05V and ±5.19V. Both inputs (AIN+ and AIN-) are sampled with a pseudo-differential on-chip track-and-hold.

The MAX11167 measures a true bipolar voltage of ±5V (10V_{P-P}) and the inputs are protected for up to ±20mA of overrange current. This ADC is powered from a 4.75V to 5.25V analog supply (V_{DD}) and a separate 2.3V to 5.25V digital supply (OVDD). The MAX11167 requires 1μs to acquire the input sample on an internal track-and-hold and then converts the sampled signal to 16 bits of accuracy using an internally clocked converter.

Analog Inputs

The MAX11167 ADC consists of a true sampling pseudo-differential input stage with high-impedance, capacitive inputs. The internal T/H circuitry features a small-signal bandwidth of about 6MHz to provide 16-bit accurate sampling in 1μs. This allows for accurate sampling of a number of scanned channels through an external multiplexer.

The MAX11167 can thus convert input signals on AIN+ in the range of $-(K \times V_{REF} + AIN-)$ to $+(K \times V_{REF} + AIN-)$ where $K = 5.000/4.096$. AIN+ should also be limited to $\pm(V_{DD} + 0.1V)$ for accurate conversions. AIN- has an input range of -0.1V to +0.1V. The MAX11167 performs a true differential sampling on inputs between AIN+ and AIN- with good common-mode rejection (see the [Typical Operating Circuit](#)).

Many traditional ADCs with single supplies that measure bipolar input signals use resistive divider networks directly on the analog inputs. However, the MAX11167 includes a patented input switch architecture that allows direct sampling of high-impedance sources. This architecture requires a minimum sample rate of 10Hz to maintain accurate conversions over the designed temperature and supply ranges.

Overvoltage Input Clamps

The MAX11167 includes an input clamping circuit that activates when the input voltage at AIN+ is above (V_{DD} + 300mV) or below -(V_{DD} + 300mV). The clamp circuit remains high impedance while the input signal is within the range of ±(V_{DD} + 100mV) and draws little to no current. However, when the input signal exceeds this range the clamps begin to turn on. Consequently, to obtain the highest accuracy, ensure that the input voltage does not exceed the range of ±(V_{DD} + 100mV).

To make use of the input clamps, connect a resistor (R_S) between the AIN+ input and the voltage source to limit the voltage at the analog input and to ensure the fault current into the devices does not exceed ±20mA. Note that the voltage at the AIN+ input pin limits to approximately 7V during a fault condition so the following equation can be used to calculate the value of R_S:

$$R_S = \frac{V_{FAULT\ MAX} - 7V}{20mA}$$

where V_{FAULT_{MAX}} is the maximum voltage that the source produces during a fault condition.

Figure 1 and Figure 2 illustrate the clamp circuit voltage current characteristics for a source impedance R_S = 1280Ω. While the input voltage is within the ±(V_{DD} + 300mV) range, no current flows in the input clamps. Once the input voltage goes beyond this voltage range, the clamps turn on and limits the voltage at the input pin.

Internal/External Reference (REFIO) Configuration

The MAX11167 includes a standard SPI interface that selects internal or external reference modes of operation through an input configuration register (see the [Input Configuration Interface](#) section). The MAX11167 features an internal bandgap reference circuit (V_{REFIO} = 4.096V) that is buffered with an internal reference buffer that drives the REF pin. The MAX11167 configure register allows four combinations of reference configuration. These reference mode are:

Reference Mode 00: ADC reference is provided by the internal bandgap feed out the REFIO pin, noise filtered with an external capacitor on the REFIO pin, then buffered by the internal reference buffer and decoupled with an external capacitor on the REF pin. In this mode, the ADC requires no external reference source.

Reference Mode 01: ADC reference is provided externally and feeds into the REFIO pin, buffered with the internal reference buffer and decoupled with an external capacitor on the REF pin. This mode is typically used when a common reference source is needed for more than one MAX11167.

Reference Mode 10: The internal bandgap is used as a reference source output and feeds out the REFIO pin. However, the internal reference buffer is in a shutdown state and the REF pin is high impedance. This state would typically be used to provide a common reference source to a set of external reference buffers for several MAX11167.

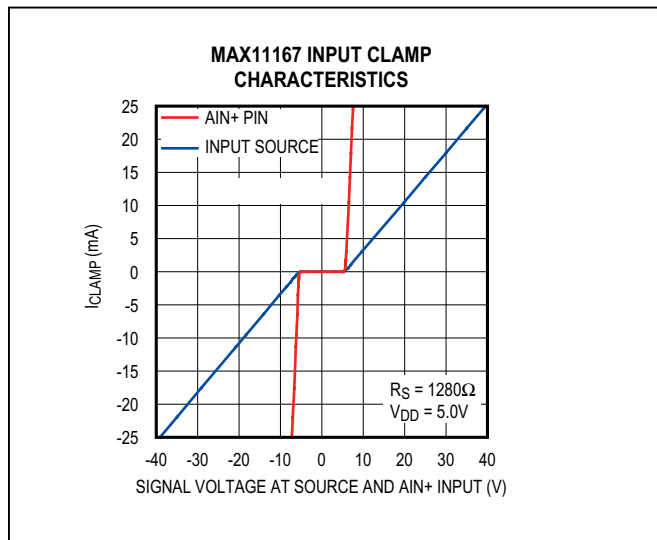


Figure 1. Input Clamp Characteristics

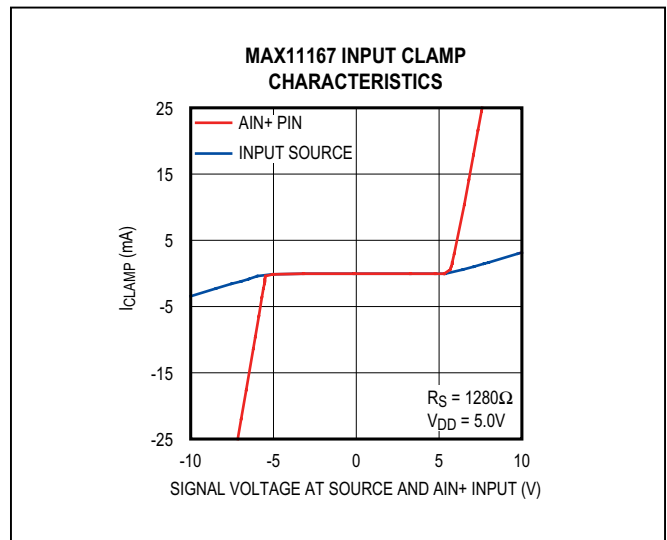


Figure 2. Input Clamp Characteristics (Zoom In)

Reference Mode 11: The internal bandgap reference source as well as the internal reference buffer are both in a shutdown state. The REF pin is in a high-impedance state. This mode would typically be used when an external reference source and external reference buffer is used to drive all MAX11167 parts in a system.

Regardless of the reference mode used, the MAX11167 requires a low-impedance reference source on the REF pin to support 16-bit accuracy. When using the internal reference buffer, externally bypass the reference buffer output using at least a $10\mu F$, low-inductance, low-ESR capacitor placed as close as possible to the REF pin, thus minimizing additional PCB inductance. When using the internal bandgap reference source, bypass the REFIO pin with a $0.1\mu F$ capacitor to ground. If providing an external reference and using the internal reference buffer, drive the REFIO pin directly with an external reference source in the range of 3.0V to 4.25V. Finally, if disabling the MAX11167 internal bandgap reference source and internal reference buffer, drive the REF pin with a reference voltage in the range of 2.5V to 4.25V and place at least a $10\mu F$, low-inductance, low-ESR capacitor as close as possible to the REF pin.

When using the MAX11167 in external reference mode, it is recommended that an external reference buffer be used. For bypass capacitors on the REF pin, X7R or X5R ceramic capacitors in a 1210 case size or smaller have been found to provide adequate bypass performance. Y5U or Z5U ceramic capacitors are not recommended due to their high voltage and temperature coefficients.

Maxim Integrated offers a wide range of precision references ideal for 16-bit accuracy. [Table 1](#) lists some of the options recommended.

Input Amplifier

The conversion results are accurate when the ADC acquires the input signal for an interval longer than the input signal's worst-case settling time. The ADC input sampling capacitor charges during the acquisition period.

During this acquisition period, the settling of the sampled voltage is affected by the source resistance and the input sampling capacitance. Sampling error can be estimated by modeling the time constant of the total input capacitance and the driving source impedance.

Although the MAX11167 is easy to drive, an amplifier buffer is recommended if the source impedance is such that when driving a switch capacitor of $\sim 20pF$ a significant settling error in the desired sampling period will occur. If this is the case, it is recommended that a configuration shown in the [Typical Operating Circuit](#) is used where at least a $500pF$ capacitor is attached to the AIN+ pin. This capacitance reduces the size of the transient at the start of the acquisition period, which in some buffers will cause an input signal dependent offsets.

Regardless of whether an external buffer amp is used or not, the time constant, $R_{SOURCE} \times C_{LOAD}$, of the input should not exceed $t_{ACQ}/12$, where R_{SOURCE} is the total signal source impedance, C_{LOAD} is the total capacitance at the ADC input (external and internal), and t_{ACQ} is the acquisition period. Thus, to obtain accurate sampling in a 500ns acquisition time, a source impedance of less than 1042Ω should be used if directly driving the ADC. When driving the ADC from a buffer, it is recommended to place a series resistance (5Ω to 50Ω typical) between the amplifier and the external input capacitance as shown in the [Typical Operating Circuit](#).

- 1) Fast settling time: For multichannel multiplexed applications, the driving operational amplifier must be able to settle to 16-bit resolution when a full-scale step is applied during the minimum acquisition time.
- 2) Low noise: It is important to ensure that the driver amplifier has a low average noise density appropriate for the desired bandwidth of the application. When the MAX11167 is used with its full bandwidth of 6MHz, it is preferable to use an amplifier that will produce an output noise spectral density of less than $6nV/\sqrt{Hz}$, to ensure that the overall SNR is not degraded significantly. It is recommended to insert an external RC

Table 1. MAX11167 External Reference Recommendations

| PART | V _{OUT} (V) | TEMPERATURE COEFFICIENT (MAX) | INITIAL ACCURACY (%) | NOISE (0.1Hz TO 10Hz) (μV_{P-P}) | PACKAGE |
|-------------------------------|----------------------|-------------------------------|----------------------|---|---------------------|
| MAX6126 | 2.5, 3, 4.096, 5.0 | 3 (A), 5 (B) | 0.06 | 1.35 | μ MAX-8 SO-8 |
| MAX6325 MAX6341 MAX6350 | 2.5, 4.096, 5.0 | 1 | 0.04, 0.02 | 1.5, 2.4, 3.0 | SO-8 |

filter at the MAX11167 AIN+ input to attenuate out-of-band input noise and preserve the ADC's SNR. The effective RMS noise at the MAX11167 AIN+ input is 64µV, thus additional noise from a buffer circuit should be significantly lower to achieve the maximum SNR performance.

3) THD performance: The input buffer amplifier used should have a comparable THD performance with that of the MAX11167 to ensure the THD of the digitized signal is not degraded.

Table 2 summarizes the operational amplifiers that are compatible with the MAX11167. The MAX9632 has sufficient bandwidth as well as low enough noise and distortion to support the full performance of the MAX11167. The MAX9633 is a dual amp and can support buffering for true pseudo-differential sampling.

Transfer Function

The ideal transfer characteristic for the MAX11167 is shown in Figure 3. The precise location of various points on the transfer function are given in Table 3.

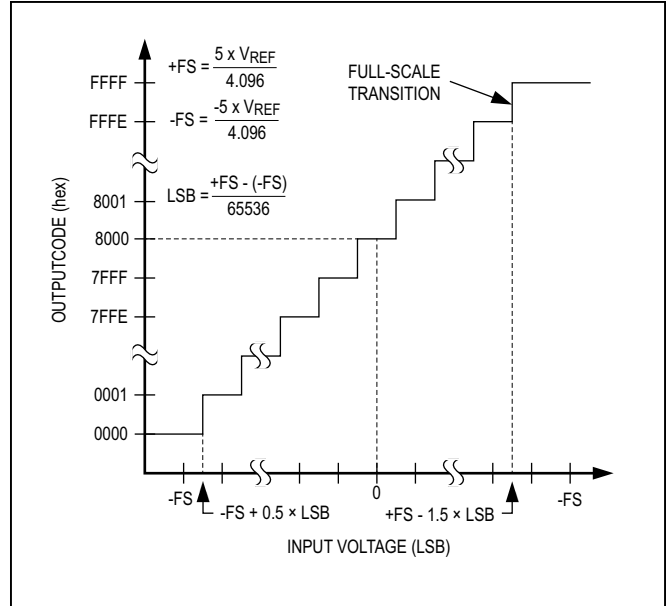


Figure 3. Bipolar Transfer Function

Table 2. List of Recommended ADC Driver Op Amps for MAX11167

| AMPLIFIER | INPUT-NOISE DENSITY (nV/√Hz) | SMALL-SIGNAL BANDWIDTH (MHz) | SLEW RATE (V/µs) | THD (dB) | I _{cc} (mA) | COMMENTS |
|-----------|------------------------------|------------------------------|------------------|----------|----------------------|-----------------------------------|
| MAX9632 | 0.9 | 55 | 30 | -128 | 3.9 | Low noise, THD at 10kHz |
| MAX9633 | 3 | 27 | 18 | -130 | 3.5/amp | Low noise, dual amp, THD at 10kHz |

Table 3. Transfer Function Example

| CODE TRANSITION | BIPOLAR INPUT (V) | DIGITAL OUTPUT CODE (HEX) |
|--------------------|-------------------|---------------------------|
| +FS - 1.5 LSB | +4.999771 | FFFE - FFFF |
| Midscale + 0.5 LSB | +0.000076 | 8000 - 8001 |
| Midscale | 0 | 8000 |
| Midscale - 0.5 LSB | -0.000076 | 7FFF - 8000 |
| -FS + 0.5 LSB | -4.999924 | 0000 - 0001 |

Input Configuration Interface

An SPI interface clocked at up to 50MHz controls the MAX11167. Input configuration data is clocked into the configuration register on the falling edge of SCLK through the DIN pin. The data on DIN is used to program the ADC configuration register. The construct of this register is illustrated in Table 4. The configuration register defines the output interface mode, the reference mode, and the power-down state of the MAX11167.

Configuring in \overline{CS} Mode

Figure 4 details the timing for loading the input configuration register when the MAX11167 is connected in \overline{CS} mode (see Figure 6 and Figure 8 for hardware connections). The load process is enabled on the falling edge of CNVST when SCLK is held high. The configuration data is clocked into the configuration register through DIN on the next 8 SCLK falling edges. Pull CNVST high to complete the input configuration register load process. DIN should idle high outside an input configuration register read.

Table 4. ADC Configuration Register

| BIT NAME | BIT | DEFAULT STATE | LOGIC STATE | FUNCTION |
|----------|-----|---------------|-------------|---|
| MODE | 7:6 | 00 | 00 | \overline{CS} Mode, No-Busy Indicator |
| | | | 01 | \overline{CS} Mode, with Busy Indicator |
| | | | 10 | Daisy-Chain Mode, No-Busy Indicator |
| | | | 11 | Daisy-Chain Mode, with Busy Indicator |
| REF | 5:4 | 00 | 00 | Reference Mode 0. Internal reference and reference buffer are both powered on. |
| | | | 01 | Reference Mode 1. Internal reference is turned off, but internal reference buffer powered on. Apply the external reference voltage at REFIO. |
| | | | 10 | Reference Mode 2. Internal reference is powered on, but the internal reference buffer is powered off. This mode allows for internal reference to be used with an external reference buffer. |
| | | | 11 | Reference Mode 3. Internal reference and reference buffer are both powered off. Apply an external reference voltage at REF. |
| SHDN | 3 | 0 | 0 | Normal Mode. All circuitry is fully powered up at all times. |
| | | | 1 | Static Shutdown. All circuitry is powered down. |
| Reserved | 2:0 | 0 | 0 | Reserved, Set to 0 |

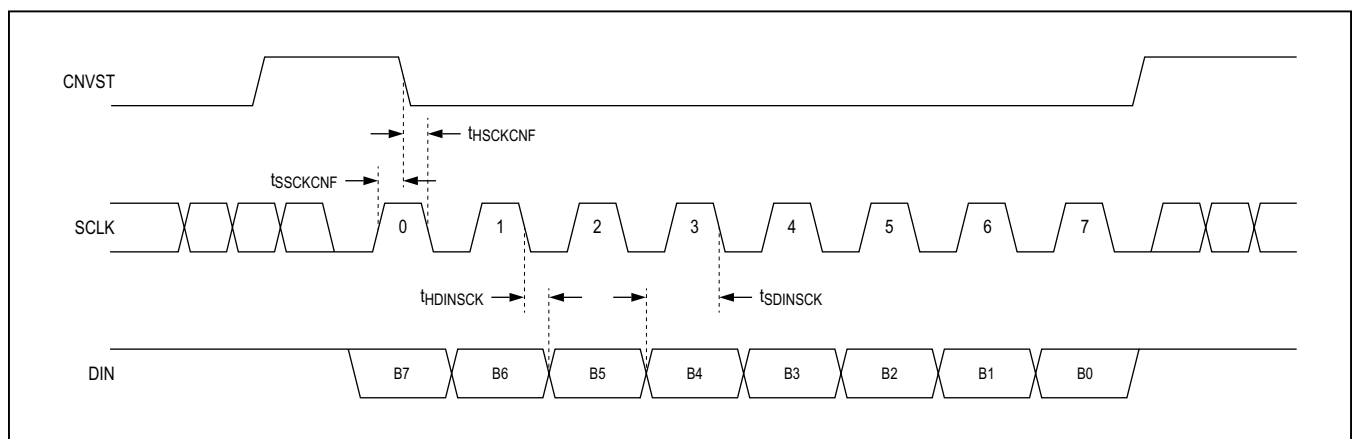


Figure 4. Input Configuration Timing in \overline{CS} Mode

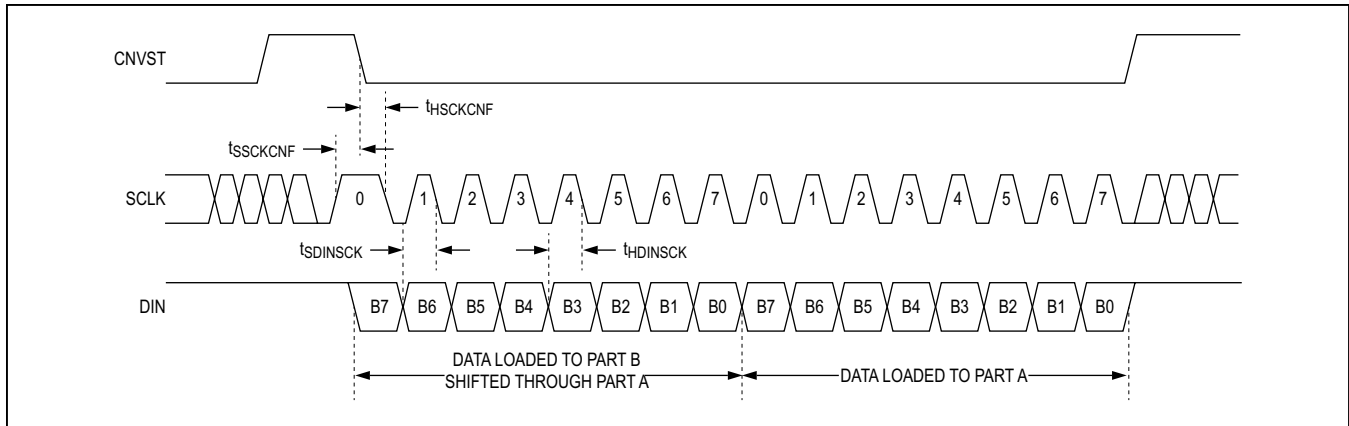


Figure 5. Input Configuration Timing in Daisy-Chain Mode

Configuring in Daisy-Chain Mode

Figure 5 details the configuration register load process when the MAX11167 is connected in a daisy-chain configuration (see Figure 12 and Figure 14 for hardware connections). The load process is enabled on the falling edge of CNVST when SCLK is held high. In daisy-chain mode, the input configuration registers are chained together through DOUT to DIN. Device A's DOUT will drive device B's DIN. The input configuration register is an 8-bit, first-in first-out shift register. The configuration data is clocked in N times through $8 \times N$ falling SCLK edges. After the MAX11167 ADC in the chain is loaded with the configuration byte, pull CNVST high to complete the configuration register loading process. Figure 5 illustrates a configuration sequence for loading two devices in a chain.

Data loaded into the configuration register alters the state of the MAX11167 on the next conversion cycle after the register is loaded. However, powering up the internal reference buffer or stabilizing the REFIO pin voltage will take several milliseconds to settle to 16-bit accuracy.

Shutdown Mode

The SHDN bit in the configuration register forces the MAX11167 into and out of shutdown. Set SHDN to 0 for normal operation. Set SHDN to 1 to shut down all internal circuitry and reset all registers to their default state.

Output Interface

The MAX11167 can be programmed into one of four output modes; CS modes with and without busy indicator and daisy-chain modes with and without busy indicator. When operating without busy indication, the user must externally timeout the maximum ADC conversion time before commencing readback. When operating in one of the two busy indication modes, the user can connect the DOUT output of the MAX11167 to an interrupt input on the digital host and use this interrupt to trigger the output data read.

Regardless of the output interface mode used, digital activity should be limited to the first half of the conversion phase. Having SCLK or DIN transitions near the sampling instance can also corrupt the input sample accuracy. Therefore, keep the digital inputs quiet for approximately 25ns before and 10ns after the rising edge of CNVST. These times are denoted as t_{SQ} and t_{HQ} in all subsequent timing diagrams.

In all interface modes, the data on DOUT is valid on both SCLK edges. However, the input setup time into the receiving digital host will be maximized when data is clocked into that digital host on the falling SCLK edge. Doing so will allow for higher data transfer rates between the MAX11167 and the digital host and consequently higher converter throughput.

In all interface modes, it is recommended that the SCLK be idled low to avoid triggering an input configuration

write on the falling edge of CNVST. If at anytime the device detects a high SCLK state on a falling edge of CNVST, it will enter the input configuration write mode and will write the state of DIN on the next 8 falling SCLK edges to the input configuration register.

In all interface modes, all data bits from a previous conversion must be read before reading bits from a new conversion. When reading out conversion data, if too few SCLK falling edges are provided and all data bits are not read out, only the remaining unread data bits will be outputted during the next readout cycle. In such an event, the output data in every other readout cycle will appear to have been truncated as only the leftover bits from the previous readout cycle are outputted. This is an indication to the user that there are insufficient SCLK falling edges in a given readout cycle. Table 5 provides a guide to aid in the selection of the appropriate output interface mode for a given application.

CS No-Busy Indicator Mode

The CS no-busy indicator mode is ideally suited for maximum throughput when a single MAX11167 is connected to an SPI-compatible digital host. The connection diagram is shown in Figure 6, and the corresponding timing is provided in Figure 7.

A rising edge on CNVST completes the acquisition, initiates the conversion, and forces DOUT to high impedance. The conversion continues to completion irrespective of the state of CNVST allowing CNVST to be used as a select line for other devices on the board. If CNVST is brought low during a conversion and held low throughout the maximum conversion time, the MSB will be output at the end of the conversion.

When the conversion is complete, the MAX11167 enters the acquisition phase. Drive CNVST low to output the MSB onto DOUT. The remaining data bits are then clocked by subsequent SCLK falling edges. DOUT returns to high impedance after the 16th SCLK falling edge, or when CNVST goes high.

Table 5. ADC Output Interface Mode Selector Guide

| MODE | TYPICAL APPLICATION AND BENEFITS |
|---------------------------------------|---|
| CS Mode, No-Busy Indicator | Single or multiple ADCs connected to an SPI-compatible digital host. Ideally suited for maximum throughput. |
| CS Mode, With Busy Indicator | Single ADC connected to an SPI-compatible digital host with interrupt input. Ideally suited for maximum throughput. |
| Daisy-Chain Mode, No-Busy Indicator | Multiple ADCs connected to an SPI-compatible digital host. Ideally suited for multichannel simultaneous sampled isolated applications. |
| Daisy-Chain Mode, With Busy Indicator | Multiple ADCs connected to an SPI-compatible digital host with interrupt input. Ideally suited for multichannel simultaneous sampled isolated applications. |

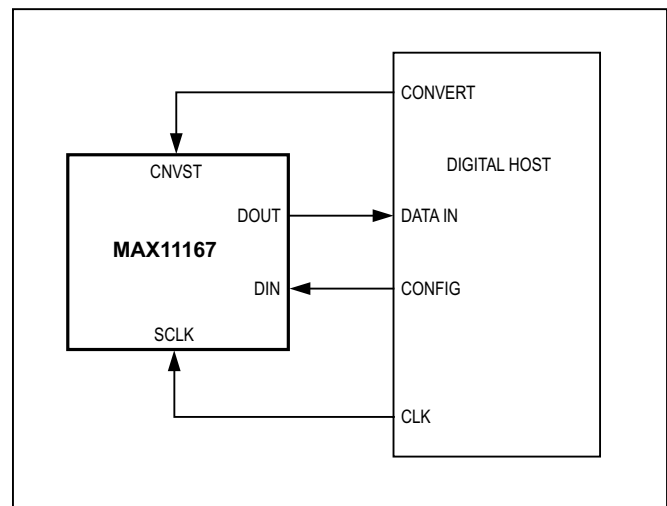


Figure 6. CS No-Busy Indicator Mode Connection Diagram

\overline{CS} with Busy Indicator Mode

The \overline{CS} with busy indicator mode is shown in Figure 8 where a single ADC is connected to an SPI-compatible digital host with interrupt input. The corresponding timing is given in Figure 9.

A rising edge on CNVST completes the acquisition, initiates the conversion, and forces DOUT to high impedance. The conversion continues to completion irrespective of the state of CNVST allowing CNVST to be used as a select line for other devices on the board.

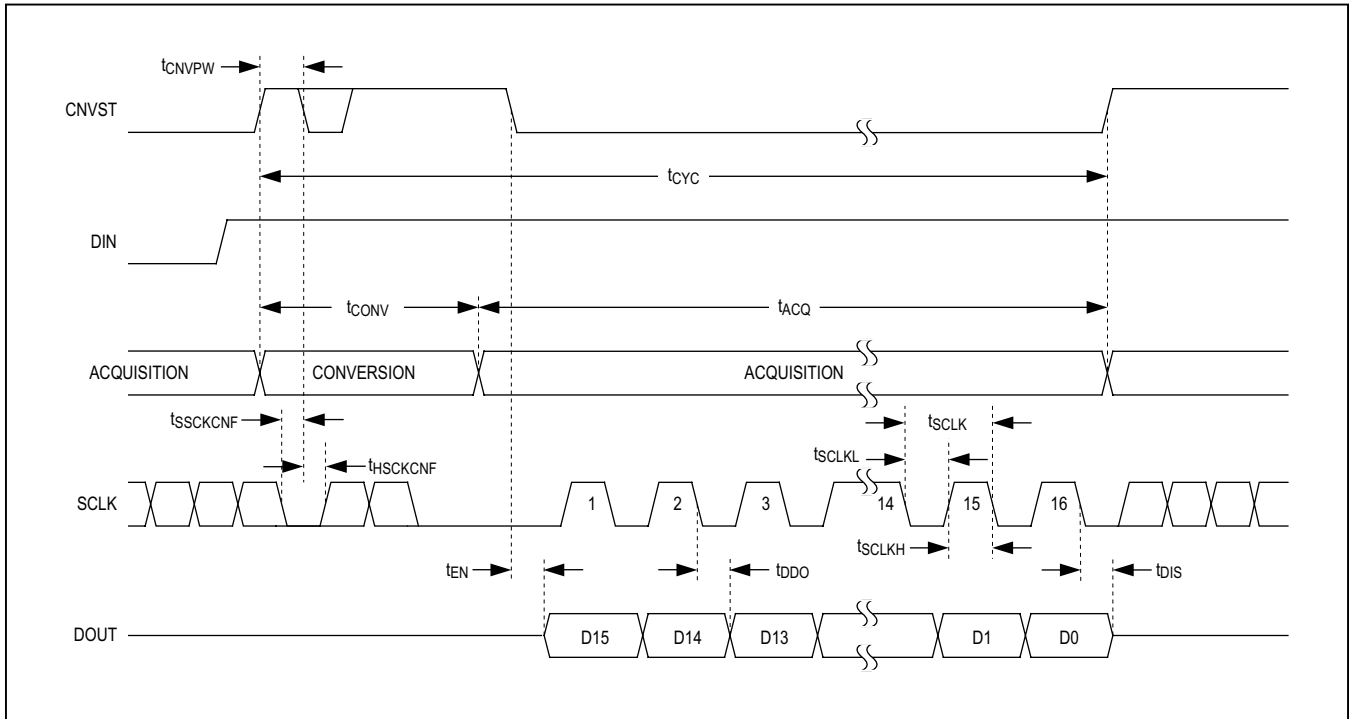


Figure 7. \overline{CS} No Busy Indicator Mode Timing

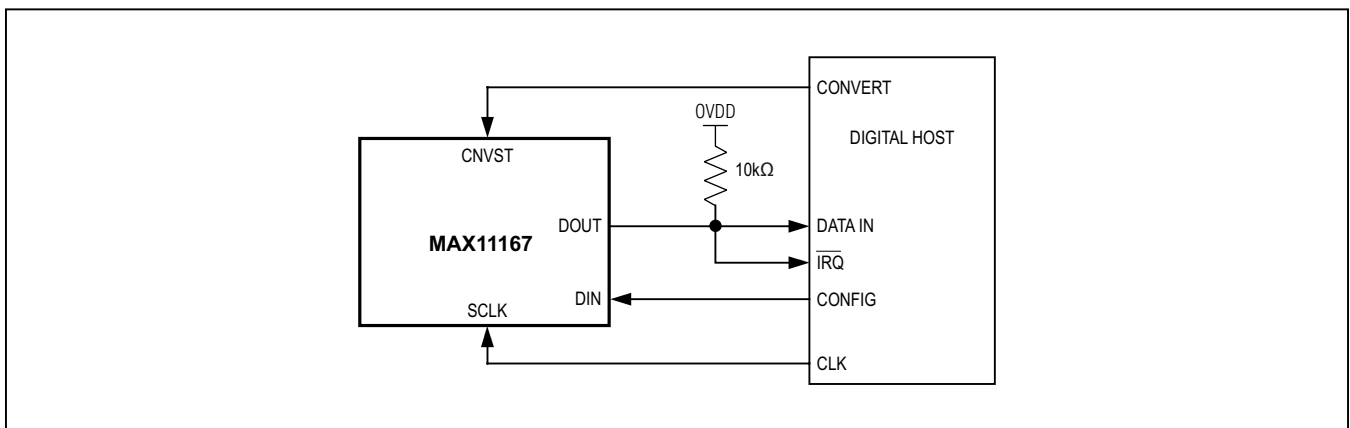


Figure 8. \overline{CS} With Busy Indicator Mode Connection Diagram

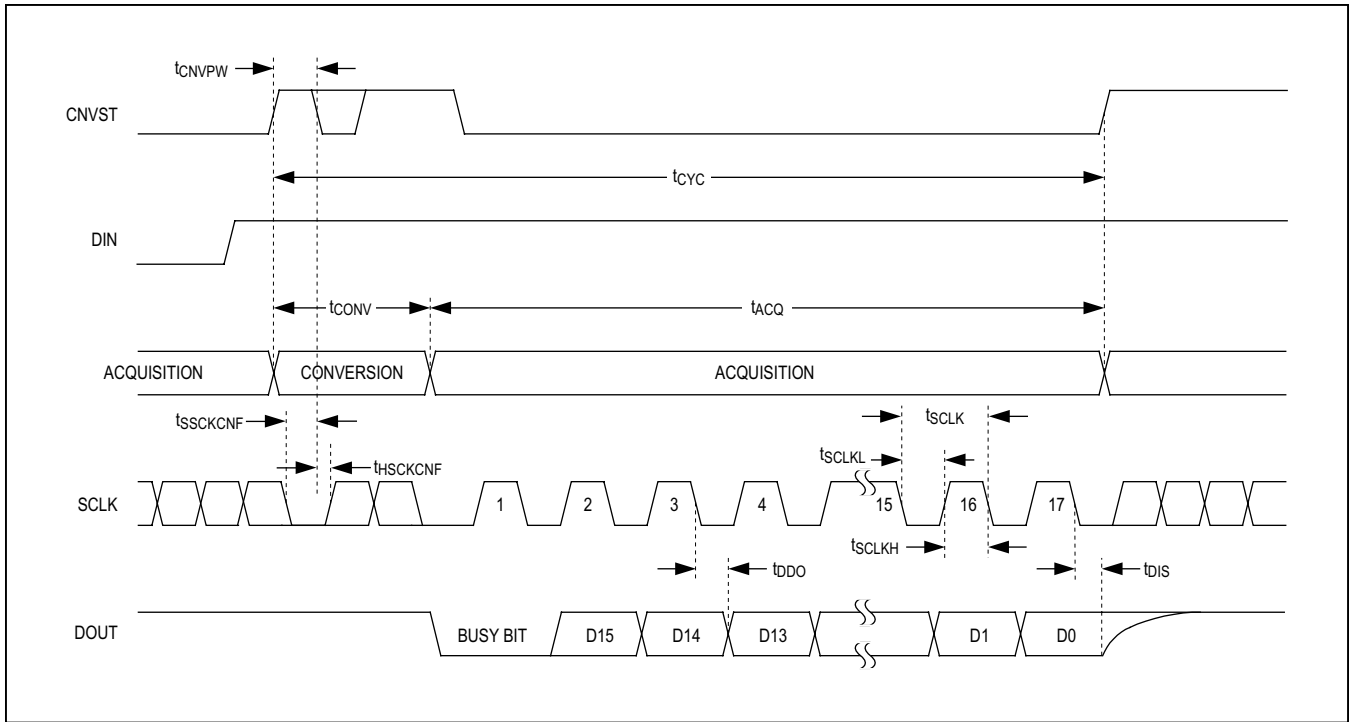


Figure 9. \overline{CS} With Busy Indicator Mode Timing

When the conversion is complete, DOUT transitions from high impedance to a low logic level, signaling to the digital host through the interrupt input that data readback can commence. The MAX11167 then enters the acquisition phase. The data bits are then clocked out, MSB first, by

subsequent SCLK falling edges. DOUT returns to high impedance after the 17th SCLK falling edge or when CNVST goes high, and is then pulled to OVDD through the external pullup resistor.

Multichannel \overline{CS} Configuration, Asynchronous or Simultaneous Sampling

The multichannel \overline{CS} configuration is generally used when multiple MAX11167 ADCs are connected to an SPI-compatible digital host. Figure 10 shows the connection diagram example using two MAX11167 devices. Figure 11 shows the corresponding timing.

Asynchronous or simultaneous sampling is possible by controlling the $\overline{CS1}$ and $\overline{CS2}$ edges. In Figure 10, the DOUT bus is shared with the digital host limiting the throughput rate. However, maximum throughput is possible if the host accommodates each ADC's DOUT pin independently.

A rising edge on CNVST completes the acquisition, initiates the conversion and forces DOUT to high impedance. The conversion continues to completion irrespective of the state of CNVST allowing CNVST

to be used as a select line for other devices on the board. However, CNVST must be returned high before the minimum conversion time for proper operation so that another conversion is not initiated with insufficient acquisition time and data correctly read out of the device.

When the conversion is complete, the MAX11167 enters the acquisition phase. Each ADC result can be read by bringing its CNVST input low, which consequently outputs the MSB onto DOUT. The remaining data bits are then clocked by subsequent SCLK falling edges. For each device, its DOUT will return to a high-impedance state after the 16th SCLK falling edge or when CNVST goes high. This control allows multiple devices to share the same DOUT bus.

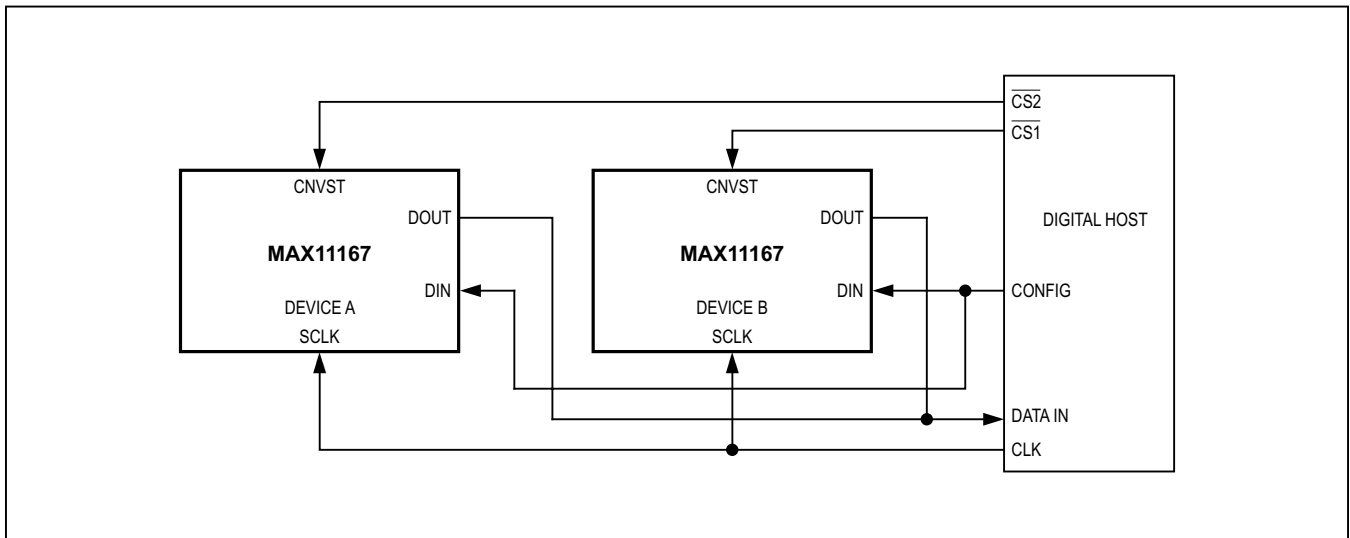


Figure 10. Multichannel \overline{CS} Configuration Diagram

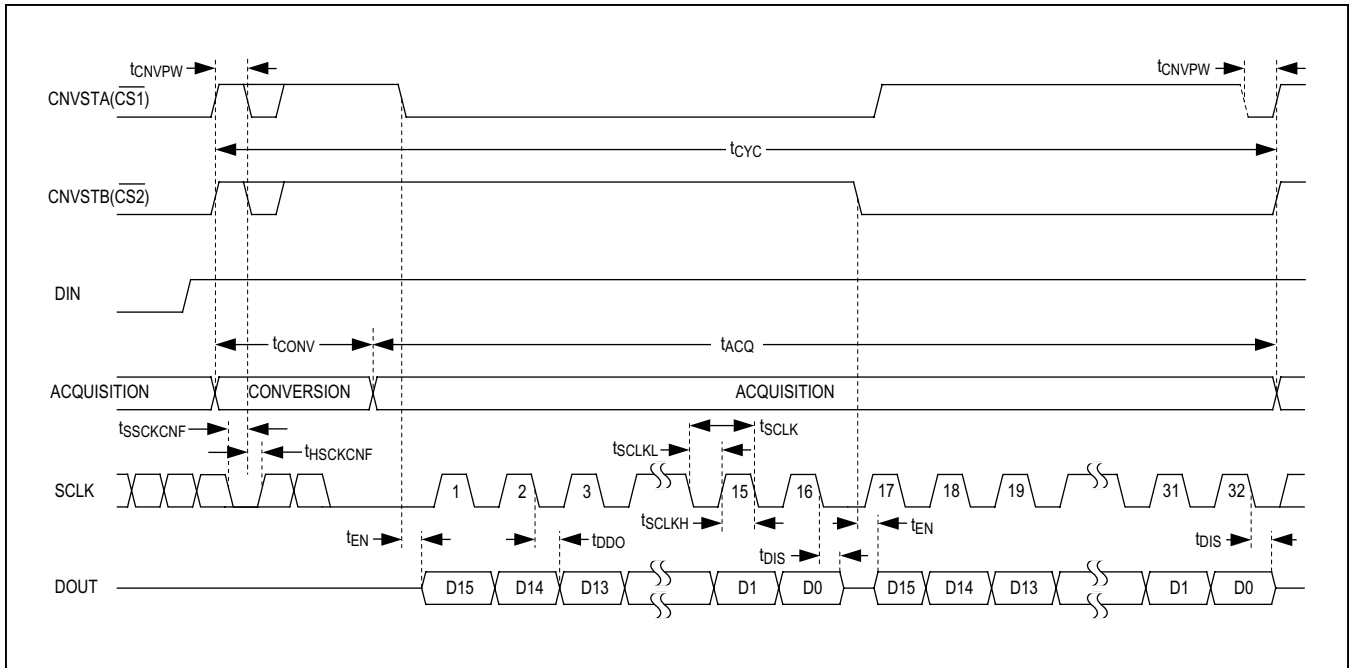


Figure 11. Multichannel \overline{CS} Configuration Timing

Daisy-Chain, No-Busy Indicator Mode

The daisy-chain mode with no-busy indicator is ideally suited for multichannel isolated applications that require minimal wiring complexity. Simultaneous sampling of multiple ADC channels is realized on the serial interface where data readback is analogous to clocking a shift register. Figure 12 shows a connection diagram of two MAX11167s configured in a daisy chain. The corresponding timing is given in Figure 13.

A rising edge on CNVST completes the acquisition and initiates the conversion. Once a conversion is initiated, it continues to completion irrespective of the state of CNVST. When a conversion is complete, the MSB is presented onto DOUT and the MAX11167 returns to the acquisition phase. The remaining data bits are stored within an internal shift register. To read these bits out, CNVST is brought low and each bit is shifted out on subsequent SCLK falling edge. The DIN input of each ADC in the chain is used to transfer conversion data from the previous ADC into the internal shift register of the next ADC, thus allowing for data to be clocked through the multichip chain on each SCLK falling edge. Each ADC

in the chain outputs its MSB data first requiring $16 \times N$ clocks to read back N ADCs.

In daisy-chain mode, the maximum conversion rate is reduced due to the increased readback time. For instance, with a 6ns or less digital host setup time and 3V interface, up to four MAX11167 devices run at a conversion rate of 218ksps.

Daisy-Chain with Busy Indicator Mode

The daisy-chain mode with busy indicator is ideally suited for multichannel isolated applications that require minimal wiring complexity while providing a conversion complete indication that can be used to interrupt a host processor to read data.

Simultaneous sampling of multiple ADC channels is realized on the serial interface where data readback is analogous to clocking a shift register. The daisy-chain mode with busy indicator is shown in Figure 14 where three MAX11167s are connected to an SPI-compatible digital host with corresponding timing given in Figure 15.

A rising edge on CNVST completes the acquisition and initiates the conversion. Once a conversion is initiated, it continues to completion irrespective of the state of CNVST. When a conversion is complete, the busy indicator is presented onto each DOUT and the MAX11167 returns to the acquisition phase. The busy indicator for the last ADC in the chain is connected to an interrupt input on the digital host. The digital host should insert a 50ns delay from the receipt of this interrupt before reading out data from all ADCs to ensure that all devices in the chain have completed conversion.

The conversion data is stored within an internal shift register. To read these bits out, CNVST is brought low and each bit is shifted out on a subsequent SCLK falling edge. The DIN input of each ADC in the chain is used to transfer conversion data from the previous ADC into the internal shift register of the next ADC, thus allowing for data to be clocked through the multichip chain on each SCLK falling edge. The total of number of falling SCLKs needed to read back all data from N ADCs is $16 \times N + 1$ edges, the one additional SCLK falling edge required to clock out the busy mode bit from the host side ADC.

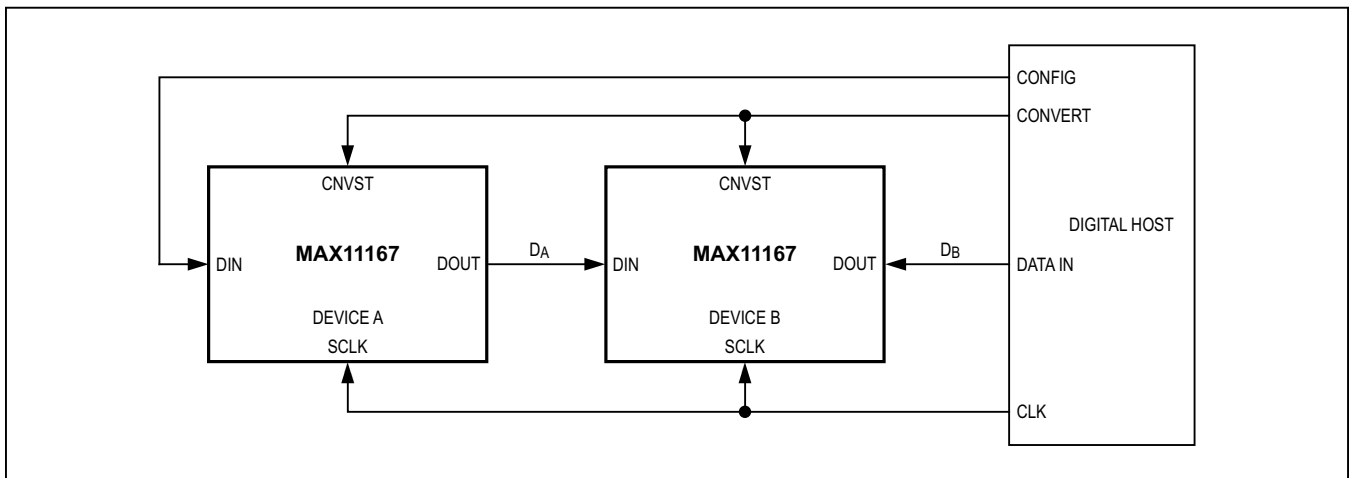


Figure 12. Daisy-Chain, No-Busy Indicator Mode Connection Diagram

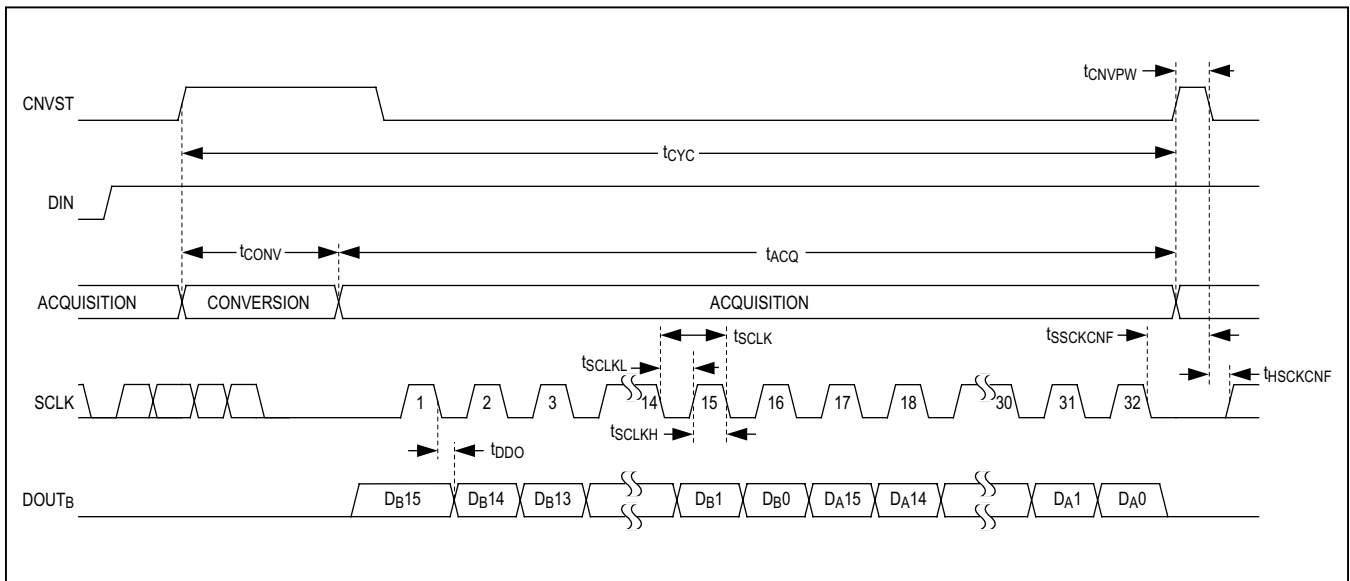


Figure 13. Daisy-Chain, No-Busy Indicator Mode Timing

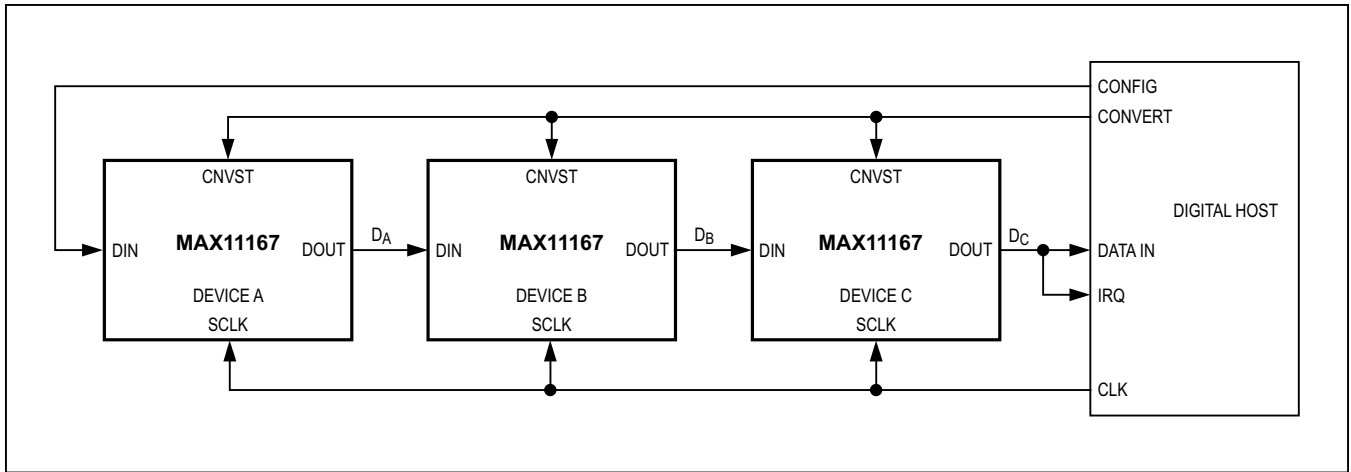


Figure 14. Daisy-Chain Mode with Busy Indicator Connection Diagram

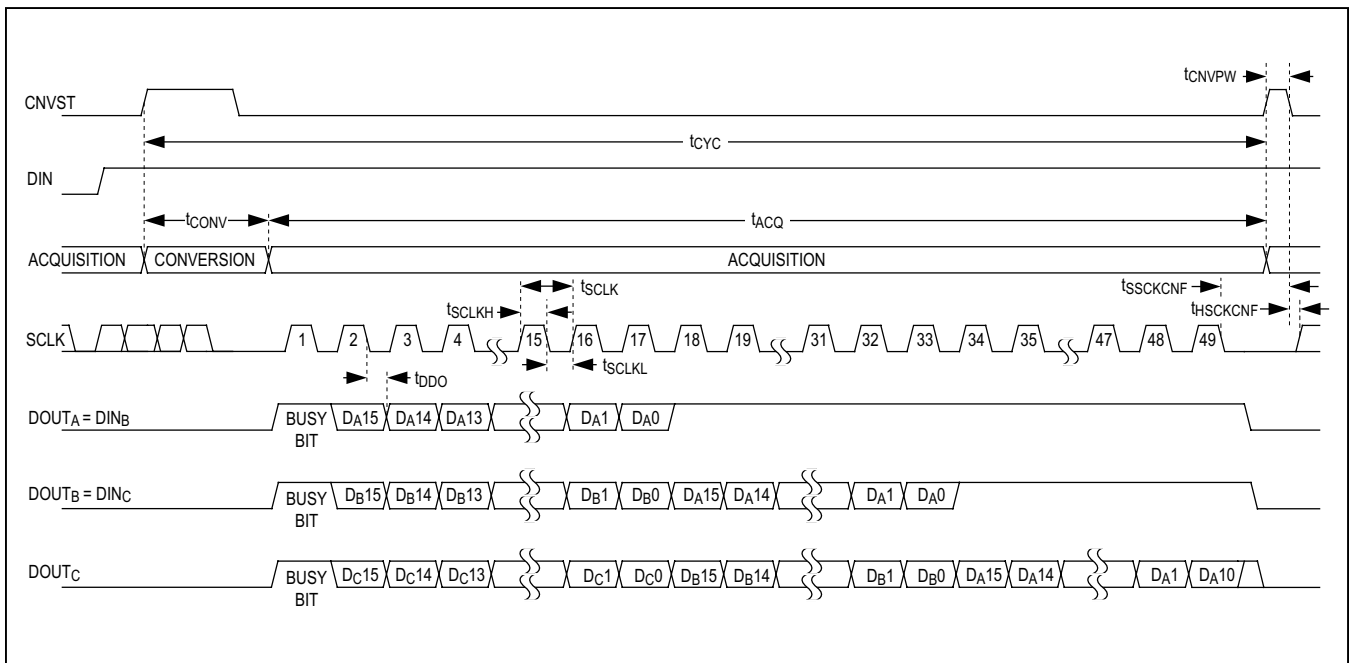


Figure 15. Daisy-Chain Mode with Busy Indicator Timing

In daisy-chain mode, the maximum conversion rate is reduced due to the increased readback time. For instance, with a 6ns or less digital host setup time and 3V interface, up to four MAX11167 devices running at a conversion rate of 217ksps can be daisy-chained on a 3-wire port.

Layout, Grounding, and Bypassing

For best performance, use PCBs with ground planes. Ensure that digital and analog signal lines are separated from each other. Do not run analog and digital lines parallel to one another (especially clock lines), and avoid running digital lines underneath the ADC package. A single solid GND plane configuration with digital signals routed from one direction and analog signals from the other provides the best performance. Connect the GND and AGNDS pins on the MAX11167 to this ground plane. Keep the ground return to the power-supply low impedance and as short as possible for noise-free operation.

A 500pF C0G (or NPO) ceramic chip capacitor should be placed between AIN+ and the ground plane as close as possible to the MAX11167. This capacitor reduces the inductance seen by the sampling circuitry and reduces the voltage transient seen by the input source circuit.

For best performance, connect the REF output to the ground plane with a 16V, 10 μ F ceramic chip capacitor with a X5R or X7R dielectric in a 1210 or smaller case size. Ensure that all bypass capacitors are connected directly into the ground plane with an independent via.

Bypass V_{DD} and OVDD to the ground plane with 0.1 μ F ceramic chip capacitors on each pin as close as possible to the device to minimize parasitic inductance. Add at least one bulk 10 μ F decoupling capacitor to V_{DD} and OVDD per PCB. For best performance, bring a V_{DD} power plane in on the analog interface side of the MAX11167 and a OVDD power plane from the digital interface side of the device.

Definitions

Integral Nonlinearity

Integral nonlinearity (INL) is the deviation of the values on an actual transfer function from a straight line. For these devices, this straight line is a line drawn between the end points of the transfer function, once offset and gain errors have been nullified.

Differential Nonlinearity

Differential nonlinearity (DNL) is the difference between an actual step width and the ideal value of 1 LSB. For these devices, the DNL of each digital output code is

measured and the worst-case value is reported in the [Electrical Characteristics](#) table. A DNL error specification of less than ± 1 LSB guarantees no missing codes and a monotonic transfer function.

Offset Error

For the MAX11167, the offset error is defined at code center 0x8000. This code center should occur at 0V input between AIN+ and AIN-. The offset error is the actual voltage required to produce code center 0x8000, expressed in LSB.

Gain Error

Gain error is defined as the difference between the change in analog input voltage required to produce a top code transition minus a bottom code transition, subtracted from the ideal change in analog input voltage of $(5.0V/4.096V) \times V_{REF} \times (65534/65536)$. For the MAX11167, top code transition is 0xFFFFE to 0xFFFF. The bottom code transition is 0x0000 and 0x0001. For the MAX11167, the analog input voltage to produce these code transitions is measured and then the gain error is computed by subtracting $2.0 \times (5.0V/4.096V) \times V_{REF} \times (65534/65536)$ from this measurement.

Signal-to-Noise Ratio

For a waveform perfectly reconstructed from digital samples, signal-to-noise ratio (SNR) is the ratio of the full-scale analog input (RMS value) to the RMS quantization error (residual error). The ideal, theoretical minimum analog-to-digital noise is caused by quantization noise error only and results directly from the ADC's resolution (N bits):

$$\text{SNR} = (6.02 \times N + 1.76)\text{dB}$$

where N = 16 bits. In reality, there are other noise sources besides quantization noise: thermal noise, reference noise, clock jitter, etc. SNR is computed by taking the ratio of the RMS signal to the RMS noise, which includes all spectral components not including the fundamental, the first five harmonics, and the DC offset.

Signal-to-Noise Plus Distortion

Signal-to-noise plus distortion (SINAD) is the ratio of the fundamental input frequency's RMS amplitude to the RMS equivalent of all the other ADC output signals:

$$\text{SINAD}(\text{dB}) = 20 \times \log \left[\frac{\text{Signal}_{\text{RMS}}}{(\text{Noise} + \text{Distortion})_{\text{RMS}}} \right]$$

Effective Number of Bits

The effective number of bits (ENOB) indicates the global accuracy of an ADC at a specific input frequency and sampling rate. An ideal ADC's error consists of quantization noise only. With an input range equal to the full-scale range of the ADC, calculate the ENOB as follows:

$$\text{ENOB} = \frac{\text{SINAD} - 1.76}{6.02}$$

Total Harmonic Distortion

Total harmonic distortion (THD) is the ratio of the RMS sum of the first five harmonics of the input signal to the fundamental itself. This is expressed as:

$$\text{THD} = 10 \times \log \left[\frac{P_2 + P_3 + P_4 + P_5}{P_1} \right]$$

where P_1 is the fundamental amplitude and P_2 through P_5 are the 2nd- through 5th-order harmonics.

Spurious-Free Dynamic Range

Spurious-free dynamic range (SFDR) is the ratio of the RMS amplitude of the fundamental (maximum signal

component) to the RMS value of the next-largest frequency component.

Aperture Delay

Aperture delay (t_{AD}) is the time delay from the sampling clock edge to the instant when an actual sample is taken.

Aperture Jitter

Aperture jitter (t_{AJ}) is the sample-to-sample variation in aperture delay.

Small-Signal Bandwidth

A small -20dBFS analog input signal is applied to an ADC in a manner that ensures that the signal's slew rate does not limit the ADC's performance. The input frequency is then swept up to the point where the amplitude of the digitized conversion result has decreased 3dB.

Full-Power Bandwidth

A large -0.5dBFS analog input signal is applied to an ADC, and the input frequency is swept up to the point where the amplitude of the digitized conversion result has decreased by 3dB. This point is defined as full-power input bandwidth frequency.

Selector Guide

| PART | BITS | INPUT RANGE (V) | REFERENCE | PACKAGE | SPEED (ksps) |
|----------|------|-----------------|-------------------|------------------------|--------------|
| MAX11262 | 14 | 0 to 5 | External | 3mm x 5mm μ MAX-10 | 500 |
| MAX11160 | 16 | 0 to 5 | Internal | 3mm x 5mm μ MAX-10 | 500 |
| MAX11161 | 16 | 0 to 5 | Internal | 3mm x 5mm μ MAX-10 | 250 |
| MAX11162 | 16 | 0 to 5 | External | 3mm x 5mm μ MAX-10 | 500 |
| MAX11163 | 16 | 0 to 5 | External | 3mm x 5mm μ MAX-10 | 250 |
| MAX11164 | 16 | 0 to 5 | Internal/External | 3mm x 3mm TDFN-12 | 500 |
| MAX11165 | 16 | 0 to 5 | Internal/External | 3mm x 3mm TDFN-12 | 250 |
| MAX11166 | 16 | ± 5 | Internal/External | 3mm x 3mm TDFN-12 | 500 |
| MAX11167 | 16 | ± 5 | Internal/External | 3mm x 3mm TDFN-12 | 250 |
| MAX11168 | 16 | ± 5 | Internal | 3mm x 5mm μ MAX-10 | 500 |
| MAX11169 | 16 | ± 5 | Internal | 3mm x 5mm μ MAX-10 | 250 |
| MAX11150 | 18 | 0 to 5 | Internal | 3mm x 5mm μ MAX-10 | 500 |
| MAX11152 | 18 | 0 to 5 | External | 3mm x 5mm μ MAX-10 | 500 |
| MAX11154 | 18 | 0 to 5 | Internal/External | 3mm x 3mm TDFN-12 | 500 |
| MAX11156 | 18 | ± 5 | Internal/External | 3mm x 3mm TDFN-12 | 500 |
| MAX11158 | 18 | ± 5 | Internal | 3mm x 5mm μ MAX-10 | 500 |

Ordering Information

| PART | TEMP RANGE | PIN-PACKAGE |
|---------------|----------------|-------------|
| MAX11167ETC+T | -40°C to +85°C | 12 TDFN-EP* |

+Denotes a lead(Pb)-free/RoHS-compliant package.

T = Tape and reel.

*EP = Exposed Pad.

Package Information

For the latest package outline information and land patterns (footprints), go to www.maximintegrated.com/packages. Note that a "+", "#", or "-" in the package code indicates RoHS status only. Package drawings may show a different suffix character, but the drawing pertains to the package regardless of RoHS status.

| PACKAGE TYPE | PACKAGE CODE | OUTLINE NO. | LAND PATTERN NO. |
|--------------|--------------|-------------------------|-------------------------|
| 12 TDFN-EP | TD1233+1 | 21-0664 | 90-0397 |

Revision History

| REVISION NUMBER | REVISION DATE | DESCRIPTION | PAGES CHANGED |
|-----------------|---------------|---|----------------|
| 0 | 8/12 | Initial release | — |
| 1 | 12/12 | Released the MAX11166, updated the <i>Electrical Characteristics</i> , <i>Typical Operating Characteristics</i> , Table 2, and the <i>Input Amplifier</i> section | 1–9, 11–14, 26 |
| 2 | 12/14 | Updated <i>Benefits and Features</i> section | 1 |
| 3 | 1/15 | Updated <i>Benefits and Features</i> section | 1 |
| 4 | 5/15 | Removed MAX11166 from data sheet | 1–28 |

For pricing, delivery, and ordering information, please contact Maxim Direct at 1-888-629-4642, or visit Maxim's website at www.maximintegrated.com.

Maxim Integrated cannot assume responsibility for use of any circuitry other than circuitry entirely embodied in a Maxim Integrated product. No circuit patent licenses are implied. Maxim Integrated reserves the right to change the circuitry and specifications without notice at any time. The parametric values (min and max limits) shown in the Electrical Characteristics table are guaranteed. Other parametric values quoted in this data sheet are provided for guidance.